

Technical and Bibliographic Notes / Notes techniques et bibliographiques

The Institute has attempted to obtain the best original copy available for scanning. Features of this copy which may be bibliographically unique, which may alter any of the images in the reproduction, or which may significantly change the usual method of scanning are checked below.

L'Institut a numérisé le meilleur exemplaire qu'il lui a été possible de se procurer. Les détails de cet exemplaire qui sont peut-être uniques du point de vue bibliographique, qui peuvent modifier une image reproduite, ou qui peuvent exiger une modification dans la méthode normale de numérisation sont indiqués ci-dessous.

- | | | | |
|-------------------------------------|---|-------------------------------------|---|
| <input type="checkbox"/> | Coloured covers /
Couverture de couleur | <input type="checkbox"/> | Coloured pages / Pages de couleur |
| <input type="checkbox"/> | Covers damaged /
Couverture endommagée | <input type="checkbox"/> | Pages damaged / Pages endommagées |
| <input type="checkbox"/> | Covers restored and/or laminated /
Couverture restaurée et/ou pelliculée | <input type="checkbox"/> | Pages restored and/or laminated /
Pages restaurées et/ou pelliculées |
| <input type="checkbox"/> | Cover title missing /
Le titre de couverture manque | <input checked="" type="checkbox"/> | Pages discoloured, stained or foxed/
Pages décolorées, tachetées ou piquées |
| <input type="checkbox"/> | Coloured maps /
Cartes géographiques en couleur | <input type="checkbox"/> | Pages detached / Pages détachées |
| <input type="checkbox"/> | Coloured ink (i.e. other than blue or black) /
Encre de couleur (i.e. autre que bleue ou noire) | <input checked="" type="checkbox"/> | Showthrough / Transparence |
| <input type="checkbox"/> | Coloured plates and/or illustrations /
Planches et/ou illustrations en couleur | <input checked="" type="checkbox"/> | Quality of print varies /
Qualité inégale de l'impression |
| <input checked="" type="checkbox"/> | Bound with other material /
Relié avec d'autres documents | <input type="checkbox"/> | Includes supplementary materials /
Comprend du matériel supplémentaire |
| <input type="checkbox"/> | Only edition available /
Seule édition disponible | <input type="checkbox"/> | Blank leaves added during restorations may
appear within the text. Whenever possible, these
have been omitted from scanning / Il se peut que
certaines pages blanches ajoutées lors d'une
restauration apparaissent dans le texte, mais,
lorsque cela était possible, ces pages n'ont pas
été numérisées. |
| <input type="checkbox"/> | Tight binding may cause shadows or distortion
along interior margin / La reliure serrée peut
causer de l'ombre ou de la distorsion le long de la
marge intérieure. | | |
| <input checked="" type="checkbox"/> | Additional comments /
Commentaires supplémentaires: | | Continuous pagination. |

The Canadian Patent Office

RECORD





Vol. XXVI.—No. 11.

NOVEMBER 30th, 1898.

Price free by post in Canada and the United States, \$2.00.
SINGLE NUMBERS, - - - 20 Cts.

NOTICE.

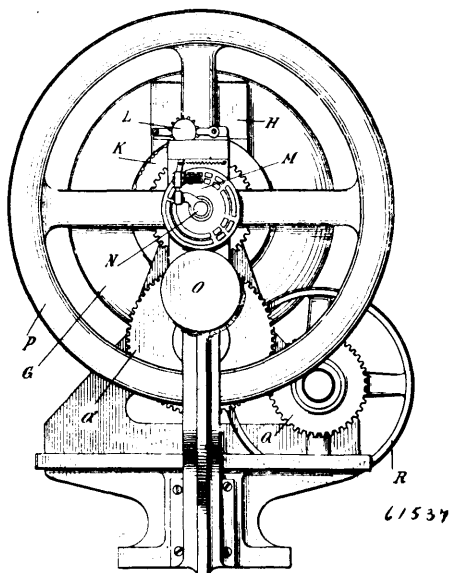
All solicitors, agents or attorneys who, in circulars or advertisements, or otherwise, refer to the Commissioner or Deputy Commissioner of Patents, or to any other official of the Patent Office, for evidence of their professional standing, do so without authority.

INVENTIONS PATENTED.

NOTE.—Patents are granted for 18 years. The term of years for which the fee has been paid, is given after the date of the patent.

No. 61,537. Type Casting and Composing Machine.

(*Coulage de caractères et machine à composer.*)



Charles Méray-Horvath, 1 Paulergasse, Budapest, Hungary, 2nd November, 1898; 6 years. (Filed 27th September, 1897.)

Claim.—1st. In a type casting machine, the combination of a laterally reciprocating matrix carrier, movable at right angles to its plane of travel, a removable matrix supported in the carrier, and a relatively stationary matrix holder adapted to take the matrix from the carrier when displaced and present it to the mould and return it to the carrier during the return stroke thereof, substantially as described. 2nd. In a type casting machine, the combination of a laterally reciprocating series of matrix carriers, removable matrix rings supported in the carriers, means for displacing a carrier in the series during the reciprocation thereof, and a relatively stationary matrix holder adapted to take a matrix ring from the displaced

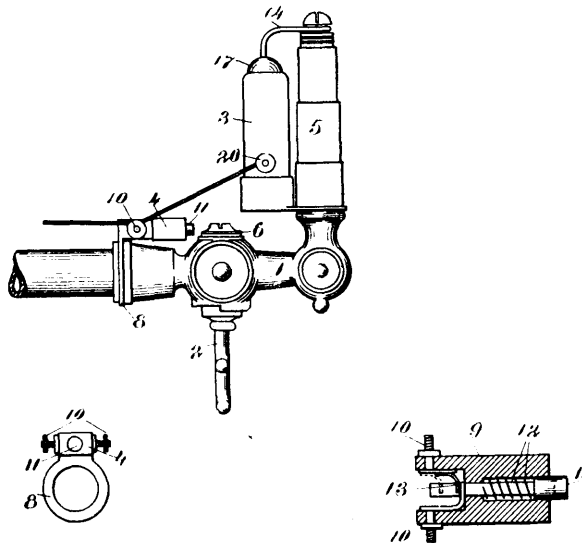
carrier as the latter is moving in one direction with the series, and surrender it thereto on its return stroke, substantially as described. 3rd. In a type casting machine, the combination of a matrix holder adapted to present a matrix to the casting point, with a series of matrix carriers, a matrix ring having a plurality of matrices for different characters detachably supported on each carrier, and means for reciprocating the carriers past the holder, with means whereby any carrier may be displaced from the line during its reciprocation so as to surrender its matrix ring to the holder when moving in one direction and to receive the same on its return stroke, and means for shifting the holder so as to present the proper matrix of the ring to the mould, substantially as described. 4th. In a type casting machine, the combination of a mould, a rocking holder adapted to receive a matrix and present the same to the mould, with a series of matrix carriers, detachable matrix rings mounted on the carriers, each having a plurality of matrices for different characters, means for automatically displacing any carrier so that it will surrender the matrix to the holder on one stroke and take it therefrom on its return stroke, means for rocking the holder if necessary so that it would present the proper matrix of the ring to the mould, and means for restoring any displaced carrier to normal position after it has taken up its matrix, substantially as and for the purpose described. 5th. In a type casting machine, the combination of a series of matrix carriers, each provided with a detachable matrix, and means for simultaneously laterally reciprocating said carriers with means whereby any carrier may be selected and displaced in the series during its reciprocation, means whereby its matrix may be removed from such selected carrier, presented to the casting apparatus and returned to such carrier and means whereby the displaced carrier is returned to position in the series, all during one reciprocation of the carriers, for the purpose and substantially as described. 6th. In a type casting machine, the combination of the mould, the matrix rings each having a plurality of characters, the rocking matrix holder, and means for moving the holder to and from said mould, with mechanism for successively supplying matrix rings to and removing them from said holder, substantially as and for the purpose described. 7th. The combination of a mould, a matrix holder movable to and from the mould and rotatable on its axis, a series of matrix rings each having a plurality of matrices in its periphery, and means for supplying said matrices singly or one at a time to, and removing them from the holder, with means whereby the holder may be rocked as it is moved towards the mould so as to present the proper matrix thereto, and means whereby the mould is automatically varied in size to suit the type character to be cast. 8th. For a type casting machine, a matrix ring having a plurality of matrices in its periphery and a recess in its side opposite each matrix to regulate the size of the body of the type, substantially as described. 9th. In a type casting machine, the combination of a matrix holder, and a series of matrix pieces each having a plurality of matrices, and a recess in its side beside each matrix, and means for supplying these matrix pieces to, and removing them from the holder, with a mould to which the matrix pieces are presented, said mould having a movable side provided with a finger or rod adapted to enter the recess in the side of the matrix piece and thus regulate the size of the mould according to the type character to be cast. 10th. The combination with a mould, of a matrix holder movable to and from said mould and rotatable on its axis, and a series of matrix-rings each having a plurality of matrices in its periphery, means for successively supplying said matrix rings to and removing them from the holder, and means substantially as described whereby the holder may be automatically rocked on its axis as it is moved toward the mould, for the purpose and substantially as described. 11th. The combination of the laterally reciprocating and swinging carrier B, having a recess in one edge for the reception of a matrix ring, and a spring-controlled catch on the carrier adapted to secure the matrix

ring thereon, with a matrix ring adapted to fit in said recess and notched for the engagement of said catch, for the purpose and substantially as described. 12th. The combination of the reciprocating frame, a series of matrix carriers thereon and reciprocated therewith, the catches adapted to hold the carriers in normal position on the frame, and means for displacing any carrier whose catch is disengaged, with means for reciprocating said carriers, and means for disengaging the catches from the carriers, substantially as and for the purpose described. 13th. In a type casting machine, the combination of the mould, having an adjustable slide forming one side thereof and a rotatable annulus provided with stops of different lengths adapted to engage a stop on the slide and prevent backward movement thereof during the casting of a type, for the purpose and substantially as described. 14th. The combination in a type casting machine, of a mould and matrix holder adapted to receive a matrix and present it to the mould, and a pair of adjustable stops, with means for projecting either one of said stops into the path of said holder, whereby it may be rocked as it is moved toward the mould. 15th. The combination in a type casting machine, of a mould, a matrix holder adapted to receive a matrix and present the same to the mould, a pair of movable stops, and means for projecting either one of said stops into the path of said holder, whereby it may be rocked as it is moved toward the mould, with the fixed stop whereby the holder is rocked to normal position when moved back from the mould, substantially as and for the purpose described. 16th. In a type casting machine, the combination of a mould, one side of which is formed by the periphery of a rotatable disc, and means for oscillating said disc, after each casting of a type. 17th. In a type casting machine, the combination of a disc adapted to form one side of the mould, and provided with a peripheral slot adapted to receive the finished type, and having a scraper adapted to trim one side of the type as the disc is rotated, substantially as and for the purpose described. 18th. In a type casting machine, the combination of the disc having a plate forming one side of the mould, a peripheral slot opposite said plate adapted to receive the finished type, and a scraper intermediate the slot and plate and adapted to trim one side of the type as the disc is rotated, with a fixed scraper adapted to trim the other side of the type when the same is being moved by the slot from the mould. 19th. In a character selecting device, the combination of a rotary disc having notches in its periphery with a series of feelers and a releasing lever controlled by said feelers adapted to be operated once whenever all of said feelers simultaneously find notches in the periphery of the disc, substantially as described. 20th. In a character selecting device, the combination of a rotary disc having a plurality of series of notches in its periphery, with a series of feelers and a releasing lever controlled by said feelers adapted to be operated once whenever all of said feelers simultaneously find notches in the periphery of the disc, with means whereby one or more of said feelers may be shifted laterally so that it will engage the notches in another series on the disc, and means whereby all of said feelers are returned to normal position once for each revolution of the disc. 21st. In a character selecting device for type casting machines, the combination of a peripherally notched disc, a series of laterally movable feelers and a release lever controlled by said feelers, adapted to be operated whenever all of said feelers simultaneously find notches in the disc, substantially as described. 22nd. In a character selecting device for type casting machines, the combination of a peripherally notched disc, a series of laterally movable feelers and a release lever controlled by said feelers, adapted to be operated whenever all of said feelers simultaneously find notches in the disc, the pivoted levers for shifting said feelers laterally, with a series of electro-magnets controlling said cam levers, and means for controlling the circuits through said electro-magnets, substantially as and for the purposes described. 23rd. In an electro-mechanical selecting device, the combination of a rotary cylinder, a series of spring contacts thereunder and a perforated strip adapted to be moved between the cylinder and said contacts, and means for automatically moving said contacts from the cylinder when it and the strip are moving, substantially as described. 24th. In a type casting machine, the combination of a series of reciprocating carriers, a relatively stationary matrix holder, moulding mechanism beside the holder and matrix rings removably mounted on the carriers and adapted to be caught separately by the holder and presented to the mould, each matrix ring having a plurality of matrices for different characters and a recess beside each matrix, substantially as described, with mechanism adapted to engage a recess of each matrix ring to control the adjustment of the mould, so that each type character will have a body of the proper size, and mechanism whereby after the casting operation, the matrix ring is returned to its own carrier and the cast type automatically removed from the mould, for the purpose and substantially as described. 25th. In a type casting and setting machine, the arrangement for the adjustment of the working matrix arms, characterized by the moving to and fro during the operation of the machine of the matrix frame, and with it the matrix arms E, which motion is effected by the conversion of rotary motion into horizontal motion, effected by means of the revolving shaft with application to the inner toothed ring G and of the pinion G² revolving within it, and having a diameter half that of the ring, whereby a given point upon the wheel G² describes a horizontal line, and directs the sliding motion of the matrix frame, so that the single matrix arms can pass at any given moment beneath a hammer whose motion can according to the arrangements hereinbefore described

release the hooks E^h of the one or the other matrix arms, and bring the corresponding matrix piece into the working position, constructed and arranged substantially as hereinbefore described.

No. 61,538. Electrical Gas Detector.

(*Alarmer électrique pour le gaz.*)



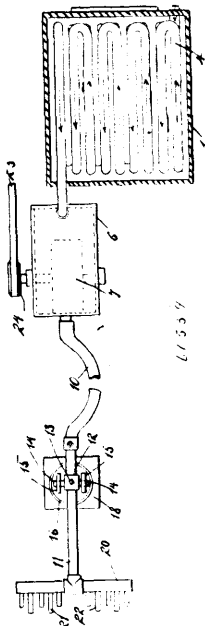
5/535

Charles Edward Ormsby, Toronto, Ontario, Canada, 2nd November, 1898; 6 years. (Filed 22nd April, 1898.)

Claim.—1st. In an electrical gas detector, a thermostat and cut-out switch secured to the burner, said thermostat operated by the metal conductor which encircles the nipple of the gas burner, and said cut-out switch operated by the cam shaped washer, which rotates with the gas cock, substantially as shown and described. 2nd. In an electrical gas detector, a thermostat contained within a case, and operated by the heat conducted by the metal conductor which encircles the nipple of the gas burner, substantially as shown and for the purpose hereinbefore set forth. 3rd. In an electrical gas detector, a thermostat containing within the case, two metal legs composed of two or more metals, having different expansive powers, said legs having attached to their free extremities the contact points and flexible connection, substantially as shown and described. 4th. In an electrical gas detector, a cut out switch operated by a cam shaped washer secured to the gas cock, said switch contained within a case, and secured to a burner substantially as shown and described. 5th. In an electrical gas detector, a thermostat and cut-out switch, secured to the burner and electrically connected in parallel, substantially as shown and for the purpose hereinbefore set forth. 6th. In an electrical gas detector, a thermostat and a cut-out switch secured to each burner, said burners connected in series with a relay and closed circuit battery, substantially as shown and described. 7th. In an electrical gas detector, a thermostat and cut-out switch, electrically connected in parallel, while the burners containing the said thermostat and cut-out switch are electrically connected in series, with the relay and closed circuit battery, in combination with an intermitting alarm controlling mechanism, operated by a separate battery, and controlled by the said relay, substantially as shown and for the purpose hereinbefore set forth. 8th. In an electrical gas detector, a thermostat and cut-out switch, electrically connected in parallel, while the burners containing the said thermostat and cut-out switch are electrically connected in series with the relay and closed circuit battery, in combination with an annunciator, said annunciator containing a three point switch for cutting said relay out, and a movable arm forming contact with contact points electrically connected to the room containing said burners, and an alarm operated by said closed circuit battery, substantially as shown and for the purpose hereinbefore set forth. 9th. In an electrical gas detector, a thermostat and cut-out switch, electrically connected in parallel, while the burners containing the said thermostat and cut-out switch are electrically connected in series with the relay and closed circuit battery, in combination with an annunciator, said annunciator containing a three point switch for cutting said relay out, and a movable arm forming contact with contact points electrically connected to the room containing said burners, and an alarm operated by said closed circuit battery, substantially as shown and for the purpose hereinbefore set forth. 10th. In an electrical gas detector, an intermitting alarm controlling mechanism consisting of a time-piece in combination with electro-magnets for operating the mechanism which carries a pinion for engaging with

one of the train of gear contained within the time-piece, said pinion carrying a projecting arm for forming contact with a stationary contact point, substantially as shown and described.

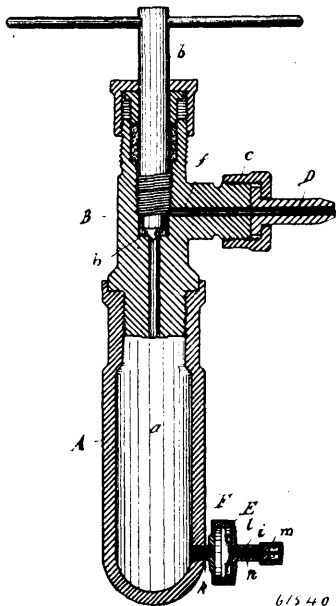
No. 61,539. Thawing Apparatus. (*Appareil à dégeler.*)



David Phillips, Pony, Montana, U.S.A., 2nd November, 1898; 6 years. (Filed 11th November, 1897.)

Claim.—A thawing device, comprising an air heater, a suction fan for drawing from the heater, a flexible pipe receiving the discharge from the fan, a discharge pipe having connection with the flexible pipe, a sleeve in which the discharge pipe is axially and longitudinally adjustable, a plate having bearings in which trunnions on the sleeve engages, a block, a socket plate on said block and with which the first named plate engages, and a bolt passing from the first named plate through the socket plate and through the block, substantially as described.

No. 61,540. Pneumatic Tire Inflating Apparatus. (*Appareil pneumatique à gonfler les bandages.*)

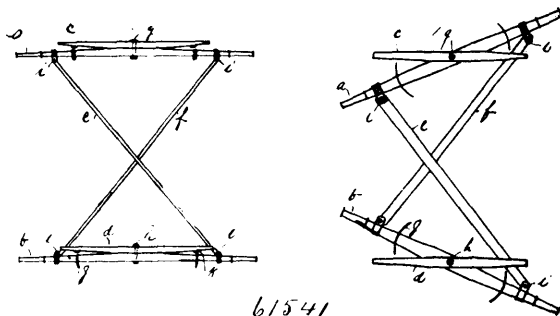


Bruno Zirgiebel, 35 Leipziger Str, Leipzig, Rendsitz, Saxony, Germany, 2nd November, 1898; 6 years. (Filed 6th December, 1897.)

Claim.—1st. A process for filling pneumatic tires, which consists in attaching to the inlet pipe of the same a vessel containing liquified gas or gas or air under pressure, opening a valve on the

same and allowing the contents to flow into the tire until the latter has attained the required pressure, substantially as described. 2nd. A receptacle for charging pneumatic tires, having a reservoir, a plug therein having a valve, a chamber, a channel therethrough to the interior of the reservoir, a valve seat and valve at the end of said channel, an outlet channel communicating with said valve chamber above the said valve seat, means for connecting the outlet channel to the valve of a pneumatic tire and means for indicating the pressure in said reservoir, substantially as described. 3rd. The combination of a reservoir having a plug screwed therein, a valve chamber and valve in said plug, a boring through said plug from the valve chamber to the interior of the reservoir, an arm to said plug having boring communicating with said valve chamber, as specified, a chamber screwed to the said reservoir and having therein a membrane, one side of which communicates with the interior of the reservoir, a piston mounted within said casing at the opposite side of said membrane, a spring to normally hold said piston against said membrane, a cap in connection with said piston to slide on the exterior of said casing and a scale on said casing, substantially as described.

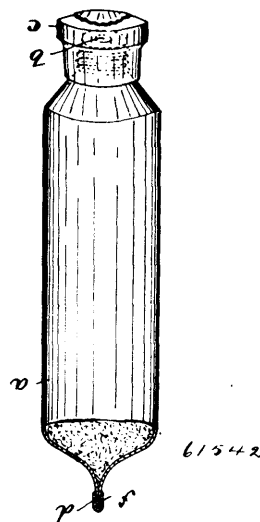
No. 61,541. Vehicle Gearing. (*Train de voitures.*)



William Mark Watson, Brantford, Ontario, Canada, 2nd November, 1898; 6 years. (Filed 16th October, 1897.)

Claim.—A wagon gear, consisting of two bolsters, front and rear, with friction rollers attached thereto, having the front and rear axles centrally pivoted by a bolt to the said bolsters which are provided with friction plates to act jointly with the friction rollers, diagonally arranged reaches securely pivoted to the axles and spring braces attached to the reaches, substantially as and for the purpose described.

No. 61,542. Compressible Tube. (*Tube comprimé.*)

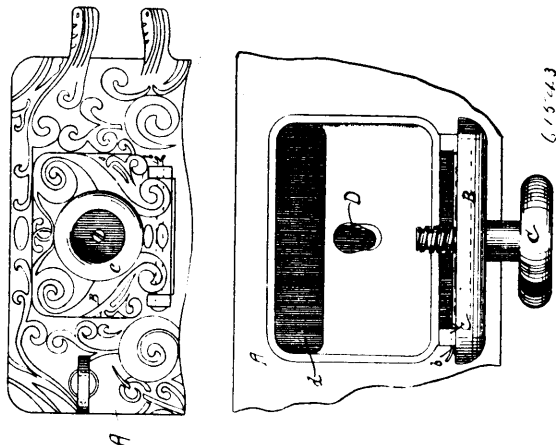


Alfred Gartner and Theodore Y. Kinne, both of Paterson, New Jersey, U.S.A., 2nd November, 1898; 6 years. (Filed 26th May, 1898.)

Claim.—1st. The combination of a compressible tube having means for closing one of its ends and having its other end flattened and compressed together, and a combined key and hermetical closure for the last-named end consisting of a metallic plate bent

lengthwise upon itself to form substantially laminated members and clamped upon said end, and a handle integrally formed with and extending from one or both ends of one of said members, substantially as described. 2nd. The combination of a compressible tube having means for closing one of its ends and having its other end flattened or compressed together, and a combined key and hermetical closure consisting of a metallic plate bent lengthwise upon itself and clamped upon, and having its members in laminated arrangement with said compressed end of the tube, the edge of said compressed end being uniformly in substantial contact with the inside of said closure at the bend therein, and a handle integral with and projecting from one or both ends of one of said members, substantially as described.

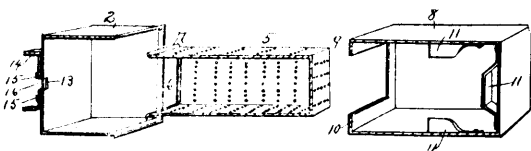
No. 61,543. Stove Damper. (*Registre de poêles.*)



William J. Keep and William V. Robinson, both of Detroit, Michigan, U.S.A., 2nd November, 1898; 6 years. (Filed 6th October, 1898.)

Claim.—1st. In combination with a casing having an opening, a damper hinged thereto having a regulating device engaging an edge of the opening and means for lifting the regulating device bodily from engagement with the opening whereby to permit the damper to be readily closed or opened to its fullest extent, substantially as described. 2nd. In combination with a casing having an opening, a damper hinged thereto having a screw or similar device, engaging an edge of said opening to open and close the damper, and a lug on said casing adapted to limit the outward movement of the damper to prevent the screw from being turned out of engagement with the edge of said opening, substantially as described. 3rd. In combination with a casing having an elongated opening, a damper hinged to said casing and vertically movable relative thereto, and a screw or similar device carried by said damper and adapted to engage an edge of said opening, substantially as described. 4th. In combination with a casing having an elongated opening, a damper hinged to said casing and vertically movable relative thereto, a screw carried by said damper adapted to engage one edge of said opening, and a lug on the casing adapted to engage the bottom of the damper in the outward movement thereof, substantially as described.

No. 61,544. Lamp Wick. (*Mèche de lampes.*)

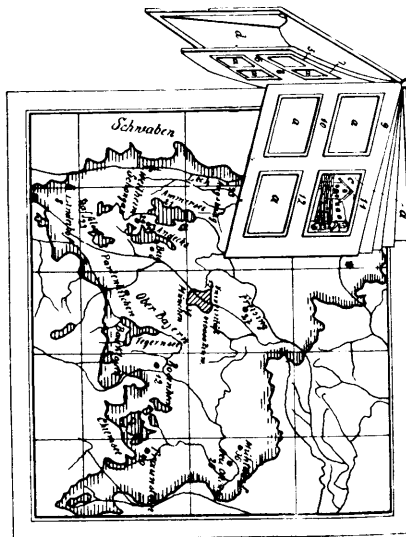


Charles Lancaster Marshall, Newark, New Jersey, U.S.A., 2nd November, 1898; 6 years. (Filed 8th March, 1898.)

Claim.—1st. A wick for lamps having fibres partially carbonized and devoid of oleaginous substances. 2nd. The method of treating wicks, which consists in driving off by the application of heat and

permanently separating the oleaginous or gummy substances from said wicks. 3rd. The method of treating wicks which consists in raising said wicks to a temperature sufficient to partially carbonize their fibres in a chamber substantially free from oxygen. 4th. The method of treating wicks which consists in raising them to a temperature adapted to vaporize oleaginous and gummy matters in a receptacle having an escape vent, and then raising said wicks to a partially carbonizing temperature. 5th. The method of treating lamp wicks which consists in packing them close in a receptacle, shutting off access of oxygen and raising them to a partially carbonizing temperature. 6th. The method of treating wicks which consists in packing them closely in a receptacle, driving off the vapor through an escape vent by heat, and subjecting them to a partially carbonizing temperature.

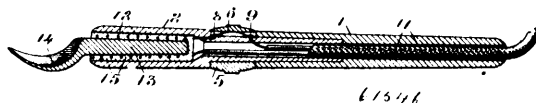
No. 61,545. Means for Teaching Geography and History. (*Moyen d'enseigner la géographie et l'histoire.*)



Rudolph Mayer, 125-7 Nymphenburger Strasse, Munich, Bavaria, German Empire, 2nd November, 1898; 6 years. (Filed 19th April 1898.)

Claim.—1st. Means for teaching geography, history and the details appertaining thereto, consisting of a map and a series of detached pictures representing various places on the said map, and means for attaching said picture in position on said map or in an album to accompany said map the position of the places on the map being provided with numbers and the positions in the album having corresponding numbers, substantially as described. 2nd. In the device covered by claim 1, the employment of postcards with views thereon instead of the pictures substantially as described. 3rd. In the devices covered by claims 1 and 2 the attachment of the cards or pictures by means of, *a*, slipping the corners under corresponding slits in the page, *b*, laps or claws out from the page and overlapping the sides of the pictures or cards, *c* slipping the corners of the cards under diagonally formed slits in the page or background, *d* miniature hands or the like affixed to the page or background and overlapping the picture or card, *e* cross strips or bands passing over the cards, *f* pockets or frames formed in the page or background, substantially as described and shown and for the purpose specified.

No. 61,546. Dental Spatula. (*Spatule dentaire.*)

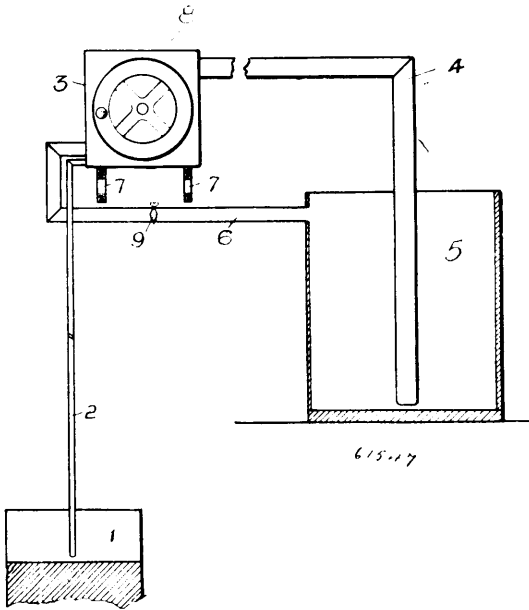


Alanson Harris Putnam, Toronto, Ontario, Canada, 2nd November 1898; 6 years. (Filed 14th February, 1898.)

Claim.—1st. In an electrically heated spatula, a case having the portion which incloses the heating coil and stem of the spatula perforated, substantially as shown and described. 2nd. In an electrically heated spatula, the combination of the heating coil embedded in asbestos and encircling the stem of the spatula, with the case, said case having the portion which incloses the same perforated on the periphery, and the remaining portion of the case inclosing the conductors, substantially as shown and for the purpose hereinbefore set forth. 3rd. In an electrically heated spatula, the combination

of the spatula and heating coil embedded in asbestos and encircling the stem of the spatula, with the case, said case having the cut-out switch located therein, substantially as shown and for the purpose hereinbefore set forth. 4th. In an electrically heated spatula, the combination of the spatula with the heating coil, which encircles the stem of the same, and the perforated portion of the case which incloses the same and the controlling rheostat, substantially as shown and for the purpose hereinbefore set forth.

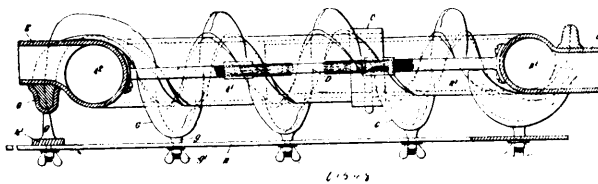
No. 61,547. Aerator Churn. (Baratte.)



William Chipman, Ottawa, Ontario, Canada, 2nd November, 1898; 6 years. (Filed 7th October, 1898.)

Claim.—1st. In an aerator the combination of pipe 2, reservoir 3, apparatus for forcing air, and pipe 4 all arranged and combined as shown and described and for the purposes hereinbefore set forth. 2nd. In a churn the combination of pipe 2, reservoir 3, apparatus for forcing air, pipe 4, and pipe 6, all arranged and combined as shown and described and for the purposes hereinbefore set forth.

No. 61,548. Resilient Tires and Tire Cover. (Bandage etc.)

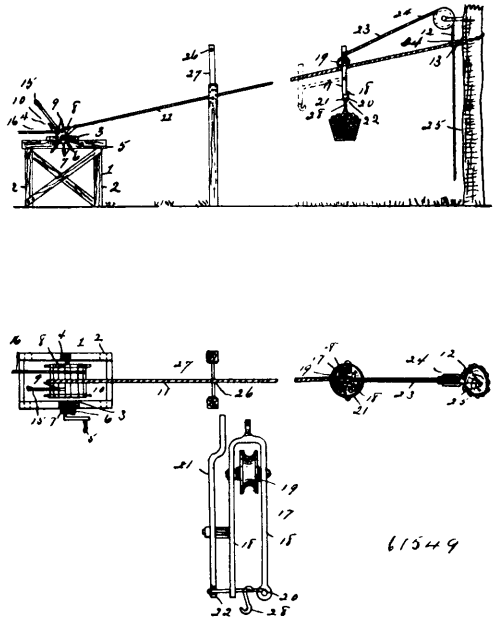


James Meeredy MacLulich, Gortmore, Dundrum, Ireland, G. B. 2nd November, 1898; 6 years. (Filed 20th June, 1898.)

Claim.—1st. The method of manufacturing a resilient endless or jointless tire or tire cover with a compressed tread, which consists in bending, coiling or looping the tire on a suitable surface in such manner that compensating or neutralizing cross twists or twists in contrary directions are produced, and then vulcanizing such tire while so bent, coiled or looped, substantially as and for the purposes described. 2nd. In the manufacture of an endless tire or tire cover, a surface on which such tire is adapted to be mounted during the vulcanization thereof, consisting of an endless series of curves so arranged that the tire is not curved continuously in the same way, but is curved partly in one direction and partly in another so that any twist produced by one part will be neutralized by that produced by the other part, substantially as described. 3rd. In the manufacture of an endless tire or tire cover, a surface on which said tire is adapted to be mounted and retained during the vulcanization process, comprising an endless mandrel, and projections on such mandrel over which the tire may be looped to change the direction of its curves or coils, substantially as and for the purposes described. 4th. In the manufacture of an endless tire or tire cover, a surface on which said tire is adapted to be mounted and retained during the vulcanization process, comprising an endless mandrel formed in two portions connected together by telescopic members, clips for securing such members after adjustment, projections on such mandrel over which the tire may be looped to change the direction of its curves

or coils, and an adjustable strut for maintaining the mandrel in position when the tire is mounted thereon, substantially as described. 5th. In a manufacture of an endless tire or tire cover, a surface on which said tire is adapted to be mounted and retained during the vulcanization process, comprising an endless mandrel, projections on such mandrel over which the tire may be looped to change the direction of its curves or coils, and moulds or cups for supporting the tire at the lower portions of the curves or coils thereof, substantially as described. 6th. A tire or tire cover made endless or jointless with its outer or peripheral portion in a state of compression by being bent, coiled or looped around a suitable surface, and subsequently vulcanized, substantially as described.

No. 61,549. Produce Carrier. (Transport.)



Rora C. Weltner, Roxalana, West Virginia, 2nd November, 1898; 6 years. (Filed 10th October, 1898.)

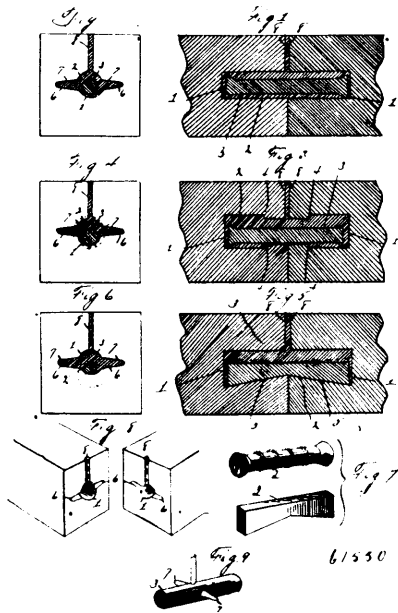
Claim.—1st. In a carrier of the kind specified, a frame having a winding-drum consisting of a shaft provided with radial spokes, cross-pieces connecting the ends of said spokes, outwardly-extending pins upon said cross-pieces, said pins being arranged in two rows and in the central portion of the cross-pieces, a crank for turning the shaft of the winding-drum, a cable connected with said winding-drum between the two sets of pins thereon and provided at its outer end with means for attaching the same to a stationary part, and a tightening-cable connected with said winding-drum. 2nd. In a carrier, an inclined cable securely fastened at its opposite ends, and a traveling carrier mounted upon said inclined cable and consisting of a frame comprising two side-pieces having a roller at their upper ends, a pivot-pin pivoted to the lower ends of one of said side-pieces, and a pivoted latch secured to the other side of said pieces and provided at its lower end with a groove or shoulder to engage the free or swinging end of said pivoted pin, and one end of said pivoted latch extending outwardly and above the upper end of said frame.

No. 61,550. Bonding and Tying System. (Système d'attache.)

John Bennett, South Paris, Maine, U.S.A., 2nd November, 1898; 6 years. (Filed 10th October, 1898.)

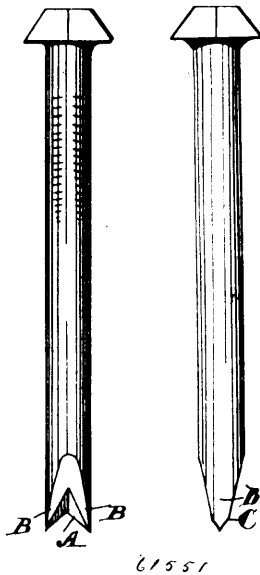
Claim.—1st. A bond for joining and bracing bodies, consisting of a two-part bonding-bar, one cast over and inclosing the other bar and both bars engaging invisible excavations in the joining ends of the bodies. 2nd. A bond for joining and bracing bodies having excavations in their joining-surfaces, consisting of a double-ended solid tie-bar entering said excavations, and a fastening part cast over and enveloping the entire body of said solid bar within said excavations and crossing the joining-surfaces, the enveloping bond forming a tubular engaging-body within the joined parts. 3rd. For joining and bracing bodies having excavations, in their joining-surfaces, a solid bar entering alike said excavations, and a bond cast of tubular form crossing the joining-surfaces as a fastening for the solid bar to the surrounding walls of the excavations in the way stated. 4th. For joining and bracing bodies having excavations in their joining-surfaces and grooves or channels opening into said excavations and a filling-duct opening at the surface of the joined parts, a solid bar entering alike said excavations, and a bond cast of tubular form crossing the joining-surfaces for fastening the solid bar to the walls of the excavations and forming circumferential projections or arms upon said cast bond at the joining of the bonded bodies. 5th. For

joining and bracing bodies having excavations in their joining-surfaces, a tubular fastening-bond cast over a strengthening-bond with-



in and crossing the joining-surfaces. 6th. A bond for joining and bracing bodies consisting of a solid bar, and a bar formed around it having circumferential arms, both bars and arms engaging the joined parts.

No. 61,551. Nail. (Clou.)



Hedley Livingston Waddell Button, Mutual Chambers, Brisbane Street, Launceston, Tasmania, 2nd November, 1898; 6 years. (Filed 17th September, 1898.)

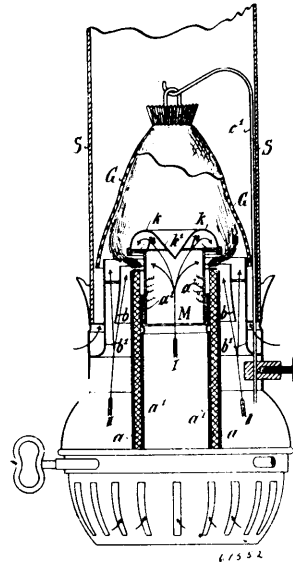
Claim.—A nail having its pointed end formed with a reverse V-shaped cutting edge and with a beveled face on opposite sides, substantially as and for the purposes herein described and explained and as illustrated in the accompanying drawings.

No. 61,552. Bunsen Burner. (Brûleur.)

Richard Adam, Berlin, German Empire, 2nd November, 1898; 6 years. (Filed 6th September, 1898.)

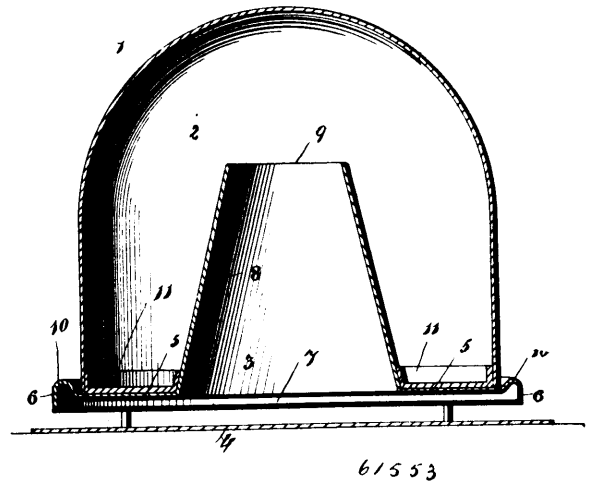
Claim.—An improved burner for producing Bunsen flame from liquid fuel, provided with single or multiple induction for outside air in which a perforated tube a^2 having its upper ends bent outwards forms a chamber M covered with a suitable cap k and serving both as a gas reducer and mixing and heating chamber, in combination with a wick tube, the interior wall a^1 of which is of less height than the exterior wall thereof a , so that the fuel drawn up by the

wick is conducted in the form of gases into the interior of the chamber M where the gases are intimately mixed with a central air



draught in order to produce a gas air mixture, which produces in combination of a sufficient air draught outside the chamber M, a Bunsen flame suitable for incandescent lighting or heating purposes.

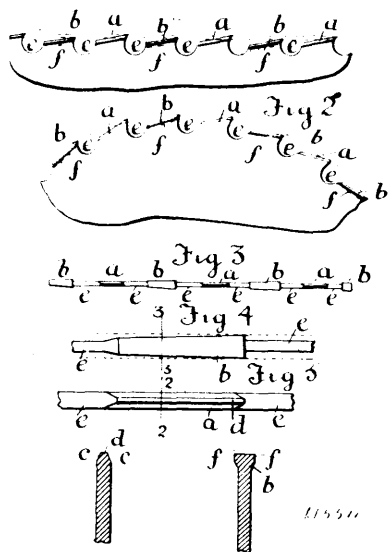
No. 61,553. Fly Trap. (Attrappe-mouches.)



Richard Gustav Witt and Alphonse Schaaf, both of Maisonneuve, Quebec, Canada, 2nd November, 1898; 6 years. (Filed 15th June, 1898.)

Claim.—1st. A fly-trap comprising an opaque base member, a removable closed top member, and an opening formed in said base member leading into said top member, substantially as described. 2nd. A fly-trap comprising an opaque base member, an opaque top member removably located thereon, and an opening formed in said base member and leading into said top member, substantially as described. 3rd. A fly-trap comprising a base member, a closed top member removably located thereon, and a conduit formed in said base member, said conduit leading to said top member, substantially as described. 4th. A fly-trap comprising a base member normally held above the surface of its support, a closed top member removably secured thereto, and an open conduit formed in said base member and extending into said top member, substantially as described. 5th. A fly-trap comprising a base member, a top member located thereon, an open conduit formed on said base member, and a receptacle located between said top member and said conduit, substantially as described. 6th. A fly-trap comprising a base member, a closed top member removably located thereon, and an open conical conduit formed in said base member and leading into said top member, substantially as described. 7th. A fly-trap comprising a base member, a top member removably located thereon, said top member being formed of glass, and an opening formed in said base member and leading into said top member, substantially as described.

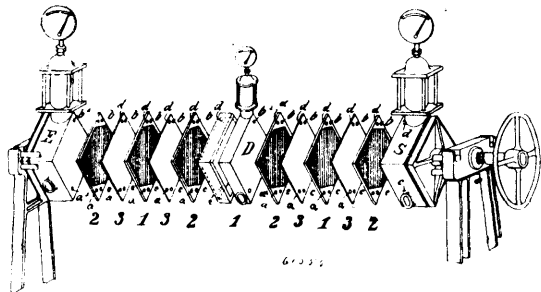
No. 61,554. Saw. (Saw.)



Frank W. Walquist, Gulbrand Nelson and John L. Grouquist, all of Brooklyn, New York, U.S.A., 2nd November, 1898; 6 years. (Filed 13th August, 1898.)

Claim.—1st. In a saw, a tooth having an extended outer face between the point and the heel, said heel being in advance of the clearance notch for the succeeding tooth, said outer face formed on a line affording clearance only, or thereabout for the advance of the work upon the saw, and being expanded equally each side the length of the face from the point to heel, substantially as described. 2nd. The combination in a saw, of alternate channelling teeth and finishing teeth, the channelling teeth being longer and narrower than the finishing teeth, substantially as described. 3rd. The combination in a saw of the alternative taper faced channelling teeth and the upset faced finishing teeth, the channelling teeth being longer and narrower than the clearing teeth, substantially as described. 4th. The combination in a saw, of the alternate taper faced channelling teeth, and the up-set finishing teeth, the channelling teeth being longer and narrower than the finishing teeth, and the finishing teeth having the narrow side faces parallel, transverse, with the sides of the saw plate, substantially as described. 5th. The combination in a saw of alternate channelling teeth and finishing teeth, the channelling teeth being longer and narrower than the finishing teeth, and the finishing teeth being upset on the face and taper from the cutting edge backward, substantially as described.

No. 61,555. Filter Press. (*Presse à filter.*)



Filter Braulechnische Maschinenfabrik, Act-Ges-Vorm, L. A. Enzinger, Hessia, assignee of Gustav Ackermann, Charlottenburg, both in Germany, 2nd November, 1898; 6 years. (Filed 19th August, 1898.)

Claim.—In a screw-filter press, the combination with an inlet chamber E, gridiron frames, filter-plates and end chamber S, of an intermediate or collecting chamber or chambers D, all as and for the purposes hereinbefore set forth.

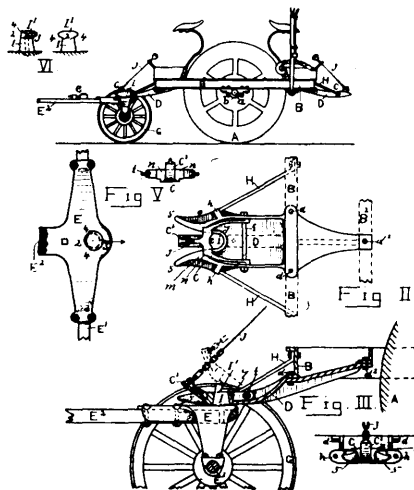
No. 61,556. Tongue Truck Connections for Road Rollers.

(*Attelage pour rouleaux reversibles.*)

John Challen, Hamilton, Ontario, assignee of George Warner Taft, Kennet Square, Pennsylvania, U.S.A., 2nd November, 1898; 6 years. (Filed 26th September, 1898.)

Claim.—1st. The combination, with the road-roller, the frame carrying the bearings for the roller axle or journals, and the detach-

able tongue-truck, of a connection-plate fixed to said frame, and having the forwardly-tapered horns, V-shaped mouth, and seat for



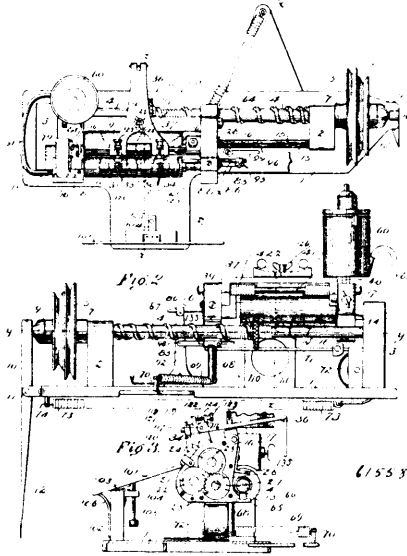
receiving the pintle-stud, and the locking yoke or loop hinged upon said connection-plate and adapted to fall in front of the pintle-stud for confining the same in said seat, said yoke provided with the forward projection having the upwardly-inclined under surface, substantially as set forth. 2nd. In combination, substantially as described, with a road roller, its draft frame, and the detachable tongue-truck having means for harnessing the team thereto, and carrying the pintle-stud, a tongue-truck connection at each end of said draft-frame, each comprising a projecting bifurcated plate having forwardly-tapered arms or horns with a pintle-receiving space between, and a movable yoke or fastener adapted for automatic elevation, and instant engagement with the pintle-stud of said tongue-truck when backed into said receiving-space, and means under control of the attendant for retracting said fastener and thereby detaching said tongue-truck, for the purposes set forth. 3rd. In a tongue-truck-attaching appliance, the connection-plate having a pintle-seat and forwardly-open mouth leading into said seat, the side portions fitted with lugs or shoulders *m*, and the upwardly-swinging yoke, its arms loosely hinged on said plate, its fore part having a forwardly upwardly inclined projection, an inner seat for embracing the pintle-stud, and its outer angles fitted with surfaces *n*, that engage or abut on said shoulders, in combination with the tongue-truck having the pintle-stud fixed thereon. 4th. In a tongue-truck-attaching appliance, the pintle-stud rigidly fixed upon the tongue-plate, said stud having a head or flange that projects rearward and laterally beyond the cylindrical body of the stud, but presenting no projection at its forward side, in combination with the connection-plate provided with a pintle-seat recess with a semi-circular flange or lip over which said head engages, and a yoke or drop fastener adapted to fall in front of said pintle-stud for retaining said pintle with said head and lip in conjunction, substantially as set forth.

No. 61,557. Paper Enamelling Art.

(*Art d'ennuiler le papier.*)

Charles Edward Shaw, Stafford, assignee of The Publishing Advertising and Trading Syndicate, 40 King Street, Cheapside, London, assignee of Frederick George Annison, also of London, all in England, 2nd November, 1898; 6 years. (Filed 22nd September, 1898.)

Claim.—1st As a new article of manufacture, the herein described enamelled paper, the enamelled surface of which is adapted to receive and retain printing and lithographic impressions, which enamelled surface consists of a nitro-cellulose compound of the character described, and pigment, the proportion of the latter to the composition being larger than, or in excess of the proportion of the nitro-cellulose compound for the purpose set forth. 2nd. As a new article of manufacture, the herein described enamelled paper, the enamelled surface of which is adapted to receive and retain printing and lithographic impressions, which enamelled surface consists of a nitro-cellulose compound of the character described containing oil and pigment, the proportion of the latter to the composition being larger than, or in excess of the proportion of the nitro-cellulose compound for the purpose set forth. 3rd. A composition of matter to be used as an enamel adapted to receive printing and lithographic impressions, consisting of a nitro-cellulose compound of the character described and a pigment, the proportion of the latter to the composition being larger than, or in excess of the proportion of the nitro-cellulose compound, substantially as described.

No. 61,558. Cigar Rolling Machine.*(Machine à rouler les cigares.)*

The Bunn Cigar Rolling Machine Co., assignee of John Bunn, all of Binghampton, New York, U.S.A., 2nd November, 1898; 6 years. (Filed 18th August, 1898.)

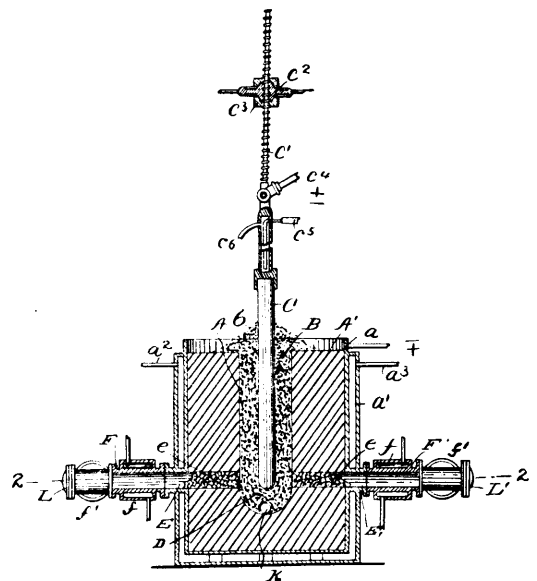
Claim.—1st. The combination in a cigar rolling machine, of a driving shaft having a worm, a carriage having a lug to engage said worm, presser rollers supported by said carriage, a shaft upon which the carriage is loosely mounted and about which it is adapted to turn, a spring connected with the carriage for holding the lug yieldingly engaged with the worm, means for tilting the carriage to disengage the lug from the worm, and a belt attached at one end of the carriage and having a spring section, as and for the purposes set forth. 2nd. The combination, with the shaft having a worm, and a second shaft having a lengthened key-way, said shaft being geared together, of a carriage loosely mounted on the second shaft, presser rollers mounted on shafts journaled in the carriage, gears on the ends of the roller shafts, a gear movable with said carriage and keyed on said second shaft and intermeshing with the said gear on the roller shafts, a lug projecting from the carriage into engagement with said worm means for turning the carriage on its shaft to disengage said lug from the worm, and means for returning said carriage to the starting place when the lug is disengaged from the worm, as and for the purposes set forth. 3rd. The combination with the worm shaft, a second shaft, and a carriage loosely mounted on said second shaft and having a lug engaged with said worm, of a pivotally supported arm carried by said carriage, presser roller carried by said arm, and connections between the arm and carriage whereby when the arm is tilted it will raise the presser rollers relatively to the carriage and also turn the carriage upon its shaft, as and for the purposes set forth. 4th. The combination with the carriage and means for feeding the same, of a pivotally supported arm carried by the carriage, presser rollers carried by the arm, and connections between said arm and the carriage whereby when the arm is tilted it will turn the carriage to disconnect the feeding means and also raise the presser rollers relatively to said carriage, as and for the purpose set forth. 5th. The combination with the carriage, and means for feeding the same, of an arm having presser rollers at one end, a second arm pivoted in said carriage attached to the first mentioned arm, a projection from the second arm, and a stop projecting from the carriage in the path of said projection whereby the turning of the arm upon its pivot operates to turn the carriage so as to disconnect the feeding means thereof and to raise the presser rollers relatively to the carriage, as and for the purpose set forth. 6th. The combination with the carriage, and means for feeding the same, of an arm having presser rollers at one end, a shaft supported by the carriage a second arm loosely mounted on the shaft and attached to the first-mentioned arm, a stop projecting from the carriage, a projection from the second arm located rearward of said stop and designed to engage the same when the second arm has turned a short distance on its shaft, and a coiled spring encircling the shaft and secured at its other end to the carriage, as and for the purposes set forth. 7th. The combination with the driving shaft having a worm, a second shaft, a carriage loosely mounted on the second shaft and having a lug engaged with the worm, and a stop projecting from the carriage, of an arm, presser rollers at one end of said arm, and a second arm pivotally mounted in the carriage and attached to the first mentioned arm, the second arm having a projection so located with respect to the stop as that it will engage the same after it has turned a short distance, whereby tilting of the

first-mentioned arm causes said presser rollers to be lifted within the carriage and also disengaged said lug from the worm, as and for the purpose set forth. 8th. The combination with the driving shaft, and a second shaft geared therewith, of a carriage movable on said second shaft, gearing to connect the driving shaft and carriage to move the latter along the second shaft, a stop projecting from the carriage, an arm, presser rollers at one end of said arm, a second arm pivotally mounted in the carriage and attached to the first-mentioned arm, the second arm having a projection so located with respect to the stop as that it will engage the same after it has turned a short distance, whereby tilting of the first-mentioned arm lifts the presser rollers relatively to the carriage and disconnects the driving gearing of the carriage, and means for automatically returning the carriage to the starting place when its driving gear is disconnected, as and for the purpose set forth. 9th. The combination, in a cigar rolling machine, of a plate constructed to form a part of the tip forming cavity, a movable plate forming the other portion of said cavity, a movable rod carrying the latter plate, a spring to normally hold the plates in engagements, a pivoted arm, and connections between the pivoted arm and movable plate, operated by the arm to force the movable plate outward, as and for the purpose set forth. 10th. The combination, in a cigar rolling machine, of a pivotally supported arm, presser rollers supported by the arm, a plate constructed to form a part of the tip-forming cavity, a movable plate forming the other portion of said cavity, and connections between the arm and movable plate, whereby tilting of the former operates both to lift the presser rollers and open the tip-forming cavity, as and for the purpose set forth. 11th. The combination, in a cigar rolling machine, of a pivotally supported arm, presser rollers carried thereby, a plate constructed to form a part of the tip-forming cavity, a movable plate forming the outer portion of said cavity, a movable rod carrying said movable plate, a pivoted spring presser lever engaged with said rod, and a link connecting the upper end of said lever with the pivoted arm, as and for the purpose set forth. 12th. The combination, in a cigar rolling machine, of a pivotally mounted carriage, rollers carried thereby, gearing for feeding said carriage from one end of the machine to the other, and an arm pivotally supported within the carriage, presser rollers carried by the arm, a plate constructed to form a part of the tip-forming cavity, a movable plate forming the other part of said cavity, connections between the pivoted arm and movable plate for causing the latter to be moved by the tilting of the former, and connections between the pivoted arm and carriage for causing said arm to tilt the carriage and thereby disconnect said feeding means, as and for the purpose set forth. 13th. The combination, in a cigar rolling machine, of a feeding worm, a pivotally mounted carriage, having a lug engaged with the worm, rollers in the carriage, an arm pivotally supported in the carriage, presser rollers at the forward end of the arm, a stop extending from the carriage, a projection movable with the arm and so arranged with respect to said stop, as to engage the same after the arm has been tilted a certain distance, a plate constructed to form a part of the tip-forming cavity, a movable plate forming the other part of the cavity, connections between said pivoted arm and movable plate for causing the latter to be moved by the former, whereby the tilting of the pivoted arm raises the presser rollers carried thereby, opens the tip-forming cavity and disconnects the feeding gear of the roller carriage, and means for returning said carriage to the starting place when the feeding gear is disconnected, as and for the purpose set forth. 14th. The combination, in a cigar rolling machine with a feeding worm, a pivotally mounted carriage having a lug engaged with the worm, rollers in the carriage, a stop 43 projecting from one end of the carriage, and a shaft 41 at the rear end of the carriage, of an arm loosely mounted on said shaft and having a projection arranged to engage said stop when the arm has turned a certain distance less than the full extent of its movement, a plate constructed to form a part of the tip-forming cavity, a movable plate forming the other part of said cavity, a movable rod carrying the movable plate, a pivoted lever attached at one end of the rod, a link connecting the other end of said lever with the arm, a second arm attached between its end to the first mentioned arm, and presser rollers at the forward end of said second arm, as and for the purpose set forth. 15th. The combination, in a cigar rolling machine, of rollers for supporting the bunch, an arm 36, a pivotally supported frame connected with the forward end of said arm, means for adjusting the frame relatively to the arm, and a presser roller journaled in said frame, as and for the purpose set forth. 16th. The combination, in a cigar rolling machine, of rollers for supporting the bunch, an arm 36 having an upwardly projecting lug, a second arm 118 pivotally attached to the forward end of the arm 36 and having a lug in front of the lug on the same, an adjusting rod threaded in one of said lugs and extending loosely through the other lug, a spring encircling the rod between the lugs, a frame supported by the second arm, and presser roller journaled in the frame, as and for the purpose set forth. 17th. The combination, in a cigar rolling machine, of rollers for supporting the bunch, an arm 36, a second arm pivotally attached to the forward end of the 36 and having a forwardly projecting stud, a frame adjustably mounted on said stud, means for adjusting the inclination of the second arm relatively to the arm 36, and a presser roller supported by said frame, as and for the purpose set forth. 18th. The combination, in a cigar rolling machine, with rollers for supporting the bunch, an arm having an elongated slot intermediate at its ends and an upwardly projecting lug near its front end, and a clamp screw

extending through said slot and serving to secure the arm adjustably to its support, of a second arm, pivotally attached to the forward end of said first mentioned arm having a forwardly projecting stud and an upwardly projecting lug, an adjusting rod threaded in one of said lugs and extending loosely through the other lug, a spring encircling said rod between the lug, a frame adjustably mounted on the stud, and a presser roller journalled in the frames, as and for the purpose set forth. 19th. The combination, in a cigar rolling machine, with rollers for supporting the bunch, of a forwardly and rearwardly adjustable arm, a second arm pivotally mounted on said first mentioned arm, means for adjusting the inclination of the second arm, relatively to the other arm, a frame carried by the second and adjustable forward and rearward thereon, and a presser roller journalled in said frame, as and for the purpose set forth. 20th. The combination, in a cigar rolling machine, with the rollers for supporting the bunch, of a pivoted arm having a bifurcated front end, a shaft extending across said front end of the arm, adjustable arms 118 pivotally mounted on the ends of said shaft means for holding the latter arms independently in adjustable position, separate frames independently adjustable forward and rearward on said arms 118, and rollers journalled in said frame, as and for the purpose set forth. 21st. The combination, in a cigar rolling machine, with a shaft 15, a carriage thereon, means for driving said shaft, two roller carrying shafts journalled in said carriage, one being slightly above and rearward of the other, gears on the ends of said shafts, a gear on said shaft 15 meshing with each of the other gears, and a roller 20 frictionally engaged with a roller on one of said shafts, of a pair of rollers, 30 and 31 arranged end to end above the lower of said previously mentioned rollers and frictionally engaged with said roller 20, and a pivotally supported arm carrying said rollers, 30 and 31, as and for the purpose set forth. 22nd. The combination, in a cigar rolling machine, with the driving shaft, a second shaft having a lengthened key-way, said shafts being geared together, a worm on the driving shaft, a carriage loosely mounted on said second shaft, and having a lug engaged with the worm, and a gear on said second shaft movable with the carriage and having a key transverse the lengthened key-way, of a pair of rollers mounted on shafts journalled in said carriage, gears on the ends of said roller shafts, both of said gears intermeshing with the gear on said second shaft, a third roller frictionally engaged with one of said pair of rollers, a pair of rollers arranged end to end both in frictional engagement with said third roller, a pivoted arm supporting the latter pair of rollers, and connections between the pivoted arm and the carriage, whereby the tilting of the arm first raises the pair of rollers carried thereby and finally turns the carriage upon its shaft 15, as and for the purposes set forth. 23rd. In a cigar rolling machine, means for supporting and rotating the bunch, said means containing a frictionally driven roller, a normally stationary shaft having an eccentrically set cylindrical part on which the roller turns, and means whereby the shaft may be turned in the bearing, as and for the purpose set forth. 24th. In a cigar rolling machine, the combination with bunch supporting rollers, of a roller 20 driven by frictional engagement with one of such rollers, a roller driven by the roller 20, a normally stationary shaft having an eccentrically set cylindrical portion on which the roller 20 turns, and means whereby the shaft may be turned in its bearing, as and for the purpose set forth. 25th. In a cigar rolling machine, means for supporting and rotating the bunch, said means containing a frictionally driven roller, a shaft having an eccentrically set cylindrical portion within the roller and on which the latter turns, a split sleeve supported on the machine and in which the shaft may be turned, and a screw to clamp the sleeve on the shaft and prevent the latter from turning in the former, as and for the purpose set forth. 26th. In a cigar rolling machine, the combination with a movable carriage, rollers 18 and 19 carried thereby and arranged one above and rearward of the other, rollers 30 and 31 arranged end to end, and a pivotally supported arm 36 carrying said rollers 30 and 31, of a roller 20 frictionally engaged with each of said rollers 19, 30 and 31, a normally stationary shaft having an eccentrically set cylindrical portion on which the roller 20 turns, and means whereby the shaft may be turned in its bearing to cause the roller 20 to bear with greater or less pressure upon the rollers 19, 30 and 31, as and for the purpose set forth. 27th. In a cigar rolling machine, the combination with the wrapping mechanism, of a severing knife, an operating lever to which said knife is pivoted, a spring connecting said lever and knife, and a stationary arm adjacent to the cutting point of said knife, whereby the knife will operate to make a draw cut, as and for the purpose set forth. 28th. In a cigar rolling machine, the combination with the wrapping mechanism, of a knife having an elongated slot at one end, a thumb lever having a vertical portion, a pivot for the vertical portion of the lever said pivot extending the elongated slot and the knife and vertical portion of the lever being pivoted together, a spring connection between the knife and lever, and relatively a stationary arm adjacent to the cutting portion of the knife, whereby the knife acts on said arm with a draw action, as and for the purpose set forth. 29th. In a cigar rolling machine, the combination with the wrapping mechanism, and a plate adjacent thereto at the header end of the machine, said plate having a tip forming cavity and being provided with a horizontally projecting arm of a knife having an elongated slot at the end, a thumb lever having a vertical portion pivoted on a stud projecting through said slot into the plate, the knife and lever being pivoted together, a spring connecting the knife and lever together, as described, whereby the knife will operate on the hori-

zontal arm of the plate with a draw action, as and for the purpose set forth. 30th. In a cigar rolling machine, the combination with the driving shaft, the carriage carrying presser rollers, and means for rotating said presser rollers simultaneously with the rotation of the driving shaft, of a worm on said driving shaft and a lug projecting from the carriage, the worm and lug being normally out of engagement when the carriage is at rest at its starting point, whereby the shaft will rotate before the worm is operatively engaged with the lug, as and for the purpose set forth. 31st. In a cigar rolling machine, the combination with the driving shaft, and the carriage carrying presser rollers, of a worm on said driving shaft, and a spring pressed movable lug projecting from said carriage and engaged by the worm, as and for the purpose set forth. 32nd. In a cigar rolling machine, the combination of the pivotally mounted carriage carrying presser rollers, a worm, a spring pressed movable lug projecting from said carriage and engaged with the worm, and means for tilting the carriage to disengage the lug from the worm, as and for the purpose set forth. 33rd. In a cigar rolling machine, the combination of the pivotally-mounted carriage carrying the presser rollers, a projection from the carriage having a grooved way, a lug having an arm movably mounted in said way, a spring engaging one end of the arm and a stop at the other end thereof, a worm engaged by said lug, means for tilting the carriage to disengage the lug from the worm, and means for returning the carriage to the starting place when the lug and worm are disconnected, as and for the purpose set forth. 34th. In a cigar rolling machine, the combination with the roller carriage, and means for feeding the same, of a wrapper holder, a pivoted lever connected with said wrapper holder, and a stop plate acting on said lever to withdraw and replace the wrapper holder, as and for the purpose set forth. 35th. In a cigar rolling machine, the combination with the roller carriage and means for feeding the same of a wrapper holder comprising a longitudinally movable rod supported in the carriage, a bent wire having one end journalled in the inner end of said rod, a lever pivoted between its ends on a support movable with the carriage and having its upper end adjustably attached to the rod and its lower end bifurcated and bent in reverse directions, and a longitudinally adjustable plate on a fixed part of the machine having a bent end arranged in the path of the lower end of said lever and operating thereon to withdraw and replace said wrapper holder, as and for the purpose set forth.

No. 61,559. Electric Furnace and Method of Operating the Same. (*Fournaise électrique et méthode d'opération.*)



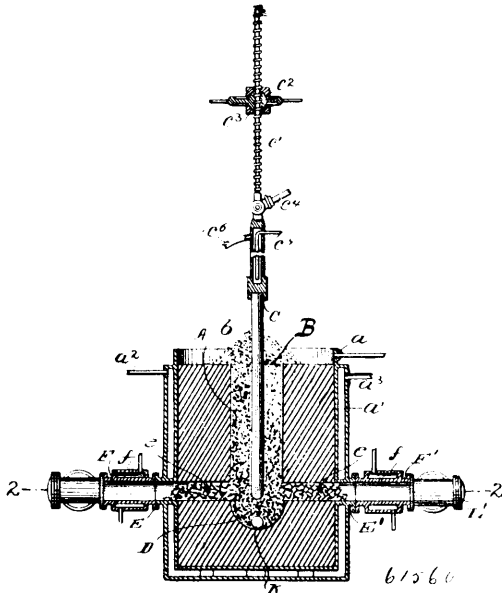
61559

A. H. Cowles, Cleveland, Ohio, U.S.A., 2nd November, 1898; 6 years. (Filed 25th May, 1898.)

Claim.—1st. The method of treatment of ores or other compounds or mixtures of material of low conductivity herein described, which consists in passing an electric current and generating within the mass of the material electrical heat, and in periodically passing gas therethrough in opposite directions, as and for the purpose set forth. 2nd. The combination in an electric furnace, of an electric furnace chamber with gas inlet and outlet flues or passages and a reversing valve connected with the said inlet and outlet flues or passages and adapted to change the direction of the flow of gas through the electrically heated field of the furnace chamber, as and for the purpose set forth. 3rd. In an electric furnace, a furnace chamber adapted to be charged at the top and having a central adjustable electrode extending down into the chamber, lateral gas inlet and

outlet flues or passages opening into the furnace chamber and filled with granulated or broken carbon, together with gas connections with said inlet and outlet flues or passages for the supply of gas to the furnace chamber and the removal of the same therefrom, as and for the purpose set forth. 4th. In an electric furnace, a furnace chamber adapted to be charged at the top, and having a central adjustable electrode extending down into the chamber, lateral gas inlet and outlet flues or passages opening into the furnace chamber and filled with granulated or broken carbon, together with gas connections with said inlet or outlet flues or passages for the supply of gas to the furnace chamber and the removal of the same therefrom, and means for reversing the flow of gas through the inlet and outlet flues, as and for the purpose set forth. 5th. The combination in an electric furnace, of an electric furnace chamber having electrical connections for the passage of an electric current through the same, of pipes connected therewith for the inflow of gas and air and for the outflow of gas, and means for the reversal of the direction of the flow of gas through the electrically heated field of the furnace chamber, as and for the purpose set forth. 6th. The combination in an electric furnace, of an electric furnace chamber having electrical connections for the passage of an electric current through the same, of pipes connected therewith for the inflow and outflow of gases, a reversing valve in operative relation to said pipes to reverse the flow of gas through the electrically heated field, and an air pipe connected with the gas supply pipe outside of the reversing valve, as and for the purpose set forth.

No. 61,560. Electric Furnace. (*Fournaise électrique.*)



Alfred H. Cowles, Cleveland, Ohio, U.S.A., 2nd November, 1898; 6 years. (Filed 25th May, 1898.)

Claim—1st. In an electric heating apparatus, the combination with a chamber, of an electric circuit connected therewith and adapted to produce a zone or area of electric heat, separate gas inlet and outlet passages connected with said chamber, and means for periodically reversing the flow of gas therethrough, as and for the purpose set forth. 2nd. In an electric furnace, the combination with a furnace chamber of an electric circuit connected therewith and adapted to create a zone of electrical heat within the furnace chamber, of separate inlet and outlet gas flues and interstitial bodies in the path of the inflowing and outflowing gases, together with means for reversing the flow of gas therethrough, as and for the purposes set forth. 3rd. In an electric furnace, the combination with a furnace chamber of an electric circuit connected therewith and adapted to create a zone of electrical heat within the furnace chamber, of inlet and outlet gas flues, and interstitial bodies contiguous to the zone of electrical heat and in the path of the inflowing and outflowing gases, together with means for reversing the flow of gas therethrough, as and for the purpose set forth. 4th. The combination with an electric furnace chamber, of lateral compartments filled with broken carbon and forming gas passages for inflow and outflow of gas, in combination with gas pipes connected with said apartments, and a reversing valve to control the direction of the flow of gas through the furnace, as and for the purpose set forth. 5th. In an electric furnace or apparatus, in which there is a field, zone or area of electric heat, with means for passing a gas therethrough, bodies of carbon on opposite sides of the field or zone of electric heat, with interstices or channels through the said bodies for the flow of gas therethrough, and means for reversing the flow of gas through the same, as and for the purpose set forth.

6th. A furnace and furnace chamber, having carbon-lined flues or channels extending outward therefrom, and adapted to form gas passages for the flow of gas to and from the furnace chamber, together with means for directing the flow of gas, in through one group of carbon-lined flues or channels to the furnace chamber, and out through another group of the same, and a reversing valve for directing the flow of the gas, as and for the purpose set forth. 7th. The combination with a furnace chamber of outwardly extending flues filled with broken carbon, and forming gas passages for the inflow and outflow of the gas or gases, in combination with gas pipes connected with said flues, and a reversing valve to control the direction of flow of the gas through the furnace, as and for the purpose set forth. 8th. In an electric furnace a furnace chamber having outwardly extending gas flues, diametrically opposite and filled with granulated or broken carbon, with gas pipes connected with said flues, and a reversing valve to control the direction of the flow of the gas through the furnace, as and for the purpose set forth.

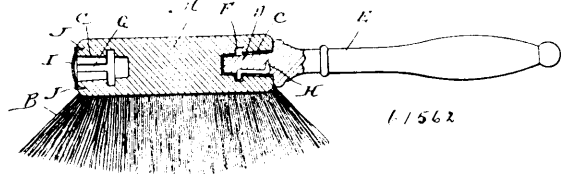
No. 61,561. Artificial Stone Compound.

(*Composé de pierre artificielle.*)

Thomas McConnell, Toronto, Ontario, Canada, 2nd November, 1898; 6 years. (Filed 20th June, 1898.)

Claim—1st. A composition of matter for making artificial stone, brick, tile and paving blocks, composed of sand, fine blue clay, ore or rock, iron and ashes, or potash in the proportions and for the purposes herein set forth. 2nd. The process herein described for manufacturing artificial stone, brick, tile and paving blocks for building purposes, drains and paving, and for all other purposes to which the same can be applied, using the said composition of sand, fine blue clay, ore or rock, iron and ashes, or potash in the proportions and manner herein specified and set forth, and the composition in the desired form and substantially in the proportions described and for the purposes herein set forth.

No. 61,562. Brush. (*Brosse.*)



Walter Wilkinson and Irvine Wilkinson, both of Philadelphia, Pennsylvania, U.S.A., 2nd November, 1898; 6 years. (Filed 18th June, 1898.)

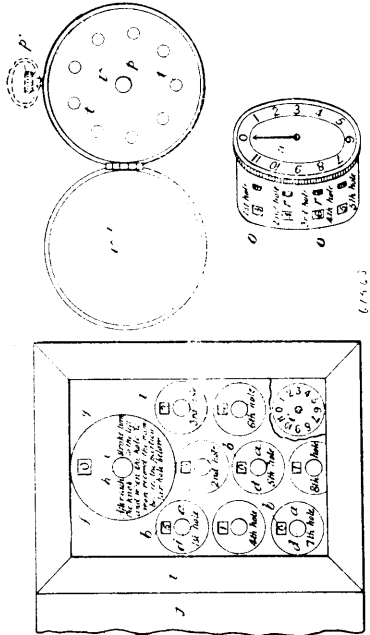
Claim—1st. A brush consisting of a back, having suitable bristles attached thereto, sockets formed in each end of the back, and a handle having a shank adapted to be inserted in either of the sockets, as specified. 2nd. As a new article of manufacture, a brush consisting of a back having a socket in each end thereof, and a handle having a shank carrying a key whereby it may be locked to the back, as specified. 3rd. The herein described combination of a back having two sockets therein, each socket having a circular groove and a longitudinal groove leading thereto, a handle, a shank formed therewith, and a key attached to the shank for engagement with the grooves of the sockets, as specified.

No. 61,563. Golf Scorer. (*Marqueur de golf.*)

Frederick Walsingham Meredith, 65 Dawson Street, Dublin, Ireland, 2nd November, 1898; 6 years. (Filed 2nd June, 1898.)

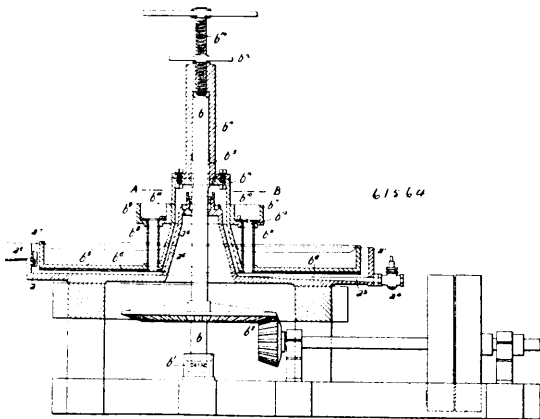
Claim—1st. In a golf scorer, the combination of small dials for indicating the scores in each hole, a larger dial for indicating the strokes as they are made, means for operating said dials and a suitable framing or casing therefor, substantially as set forth. 2nd. In a golf scorer, the combination of the small dials *a*, each representing a golf hole, discs *c*, having numerals for indicating the scores in each hole, pivoted behind said dials, knobs *d*, operating the discs *c*, so that the required numerals show through the openings *b*, large dial *e*, similarly provided with disc *g*, and operating knob *h*, for indicating the strokes as they are made, framing *i*, and cover *j*, substantially as set forth. 3rd. In a golf scorer, the combination of the small dials *a*, each representing a golf hole, pointers *b*, for indicating the scores on said dials, card *k*, forming the framing and serving as a larger dial and pointer *m*, for indicating upon the large dial the strokes as they are made, substantially as set forth. 4th. In a golf scorer, the combination of the small numeral rollers *o*, each representing a golf hole, spindles *q*, and milled or roughened pinions *r*, for operating said numeral rollers *o*, to indicate the scores in each hole, casing *u*, large dial arranged on said casing and pointer for indicating thereon the strokes as they are made, substantially as set forth. 5th. In a golf scorer, the combination of the small dials *a*,

each representing a golf hole, operating knobs *t*, for indicating thereon the scores in each hole, watch-like casing *cc*1, and pointer



u, operating either by means of the knob *p*, or by the press knob *p*1, for indicating the strokes as they are made, substantially as set forth.

No. 61,564. Amalgamator. (*Amalgamateur.*)



Alfred Andrew Lockwood, 29 Cornhill, London, Middlesex, England, 2nd November, 1898; 6 years. (Filed 27th May, 1898.)

Claim.—In amalgamating apparatus for treating auriferous and argentiferous ores and the like, in combination, a stationary pan adapted with a peripheral pulp overflow and a mercury outlet, and with an upraised central part adapted to act as a bearing to a central shaft, an overhanging yoke keyed to the shaft and extending around the upraised central part of the pan and adapted with a flanged and superficially grooved distributing plate set at a short distance above the mercury in the pan, and with a pulp trough fitted with a series of pendent tubes passing through to the under surface of the distributing plate, and with an adjustable shutter plate adapted to more or less close the inlet openings to the said tubes, and means for rotating the central shaft, as set forth.

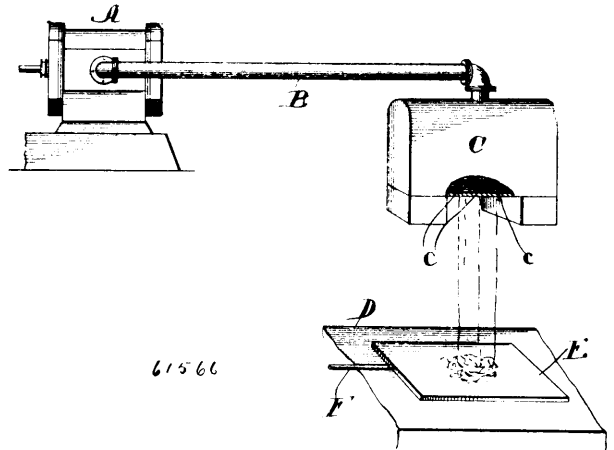
No. 61,565. Explosive. (*Explosif.*)

Oscar Frederick Carlson, Karnhamnstorg, Stockholm, Sweden, 2nd November, 1898; 6 years. (Filed 14th May, 1898.)

Claim.—Explosives composed of perchlorate of ammonia mixed with one or more inflammable substances and in which the proportion of perchlorate of ammonia varies from 40 to 98 per cent of the weight and consequently the proportion of the inflammable substance or substances mixed with the perchlorate of ammonia varies from 60 to 2 per cent of the weight.

No. 61,566. Electric Battery plate.

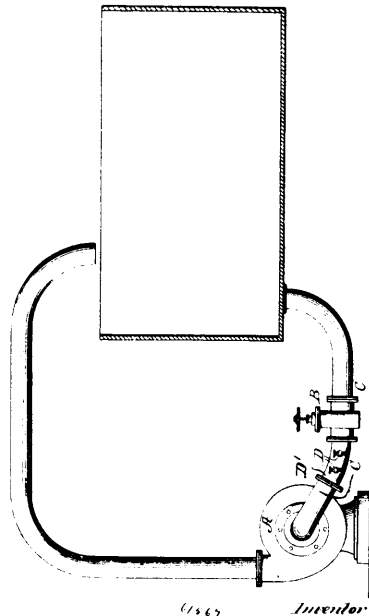
(*Plaque pour piles électriques.*)



Alfred C. Croftan, Chicago, Illinois, U.S.A., 2nd November, 1898; 6 years. (Filed 4th May, 1898.)

Claim.—1st. The improved method of forming spongy lead plates, which consists in forcing molten lead through a series of small orifices and allowing it to pile up just before solidifying upon a horizontally vibrating surface, substantially as described. 2nd. The method of forming spongy lead plates, which consists in forcing the lead in a molten condition through a series of small orifices, receiving it at a temperature intermediate between a running and a congealing temperature upon a horizontally vibrating support and afterwards compressing certain portions of the spongy mass thus formed to produce comparatively solid strengthening ribs or frames, substantially as described.

No. 61,567. Apparatus for the Introduction of Gases into Liquids or Pulpes. (*Appareil pour l'introduction des gaz dans les liquides.*)



Henry Thomas Durant, Johannesburg, South African Republic, 2nd November, 1898; 6 years. (Filed 21st April, 1898.)

Claim.—1st. In an apparatus for introducing air or gas into liquids, the combination of a tank *E*, a pipe *C* extending from the bottom of said tank and terminating at the top of said tank, a pump *A* interposed in pipe *C*, means for reducing the flow of liquid below the capacity of the pump, and air or gas inlets between the reducing means and the pump. 2nd. In an apparatus for introducing air or gas into liquids, the combination of an open tank *E*, a pipe *C* extending from the bottom of said tank and terminating at the top of said tank, a pump *A* interposed in pipe *C*, means for reducing the flow of liquid below the capacity of the pump, and an air or gas inlets between the reducing means and the pump.

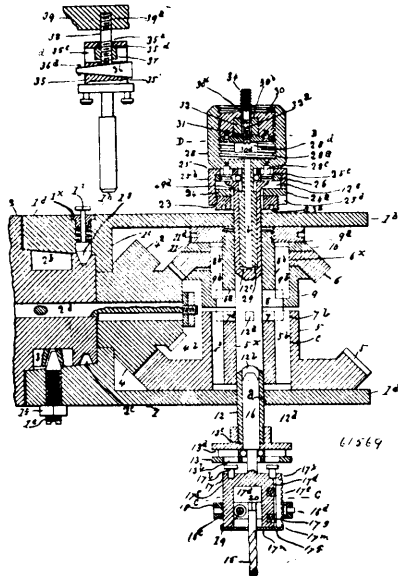
No. 61,568. Explosive. (Explosif.)

Robie Crowe, Denver, Colorado, U.S.A., 2nd November, 1898; 6 years. (Filed 28th April, 1898.)

Claim.—A mixture for neutralizing the poisonous gases from explosions of giant powder, consisting of 50 per cent in weight of unbolted wheat flour, 25 per cent in weight of common salt in finely ground form and 25 per cent of bi-carbonate of soda in a fine ground form.

No. 61,569. Drilling, Tapping and Stud Setting Machine.

(Machine à forer, tarauder, etc.)



Franklin Alfred Errington, New York City, New York, U.S.A., 2nd November, 1898; 6 years. (Filed 8th March, 1898.)

Claim.—1st. The combination of a swivel-head, a spindle carried thereby and having each of its ends provided with means for connection with a tool or tool-holder, and a reversing mechanism carried by said head to rotate said spindle in opposite directions, substantially as described. 2nd. The combination of a spindle having each of its ends provided with means for connection with a tool or tool-holder, means to turn said spindle in opposite directions, means to swivel said spindle to bring its ends to register alternately with the same point, and an automatic locking mechanism to lock said spindle automatically in axial alignment with said point, substantially as described. 3rd. The combination with a supporting frame, of a swivel head connected therewith by a swivel-joint, a pinion projecting into said swivel-head, two concentric wheels journaled in said swivel-head, and meshing with said pinion, two clutches, one of said clutches being connected with one of said wheels and the other of said clutches with the other of said wheels, a spindle, the axis of said spindle being concentric with the axis of said wheels, and a third clutch located between said wheel-clutches and connected with said spindle, substantially as described. 4th. The combination with a supporting frame, of a swivel head connected therewith by a swivel-joint, one of said parts having an index bore or bores and the other of said parts having a locking pin or pins to mesh with said index bore or bores to lock said swivel-head at certain intervals to said supporting frame, a pinion projecting into said swivel-head, two wheels journaled in said swivel-head and meshing with said pinion, two clutches, one of said clutches being connected with one of said wheels and the other of said clutches with the other of said wheels, a spindle provided with a clutch or clutches for engagement with said wheel-clutches, substantially as described. 5th. The combination of a swivel-head adapted for connection by a swivel-joint with a supporting part, a pinion projecting therein, two concentric wheels journaled in said swivel-head and meshing with said pinion, one of said wheels being of greater diameter than the other, two clutches one of said clutches being connected with one of said wheels and the other of said clutches being connected with the other of said wheels, and a spindle provided with a clutch or clutches for engagement with said wheel-clutches, substantially as described. 6th. The combination of a bevel pinion carrying two sets of driving faces, the pitch cone of one of said sets of driving faces lying within that of the other, two concentric bevel wheels meshing respectively with said sets of driving faces of said pinion, a spindle, means for connecting said spindle alternately with either of said wheels and means for swivelling said spindle, substantially as described. 7th. The combination of a wheel having a recess or clutch chamber in its face and an eccentrically located longitudinal bore opening partly on the face of said recess or clutch-chamber and indenting the side wall thereof, a clutch-pin located

in said bore and projecting longitudinally from the face of said recess or clutch-chamber, a part of the periphery of said clutch-pin being embedded in the supporting indenture thus provided in the side wall of said recess or clutch chamber, and part thereof extending laterally into said recess or clutch-chamber, whereby said clutch-pin is relieved from shearing strain, and a spindle provided with a clutch to engage said clutch-pin, substantially as described. 8th. The combination of two discs and means to rotate said discs in opposite directions, one of said discs having a recess or clutch-chamber in its face and an eccentrically located longitudinal bore opening partly on the face of said recess or clutch-chamber and indenting the side wall thereof, a clutch-pin located in said eccentrically located bore and projecting longitudinally from the face of said recess or clutch-chamber, part of the periphery of said clutch-pin being embedded in the supporting indenture thus provided in the side wall of said recess or clutch-chamber and part thereof extending laterally into said recess or clutch chamber, a clutch connected with the other of said discs, and a spindle having a clutch or clutches to engage either of said disc clutches, substantially as described. 9th. The combination of two discs and means to rotate said discs in opposite directions, each of said discs having a central bore or bearing, one of said discs having a recess or clutch-chamber within the plane of its inner face, a clutch-pin connected with said disc and projecting from the face of said recess or clutch-chamber, the inner end of said clutch-pin also lying within the plane of the inner face of said disc, another clutch connected with the other of said discs, a spindle journaled in said bores or bearings of said discs, and a clutch connected with said spindle to engage said disc-clutches, substantially as described. 10th. The combination of a friction disc, a screw-threaded hub projecting therefrom, a wheel surrounding said hub, a screw-threaded adjusting ring to mesh with said screw-threaded hub to move one of said parts longitudinally, and a check-nut or washer to hold said adjusting ring in position when adjusted, substantially as described. 11th. The combination of a friction disc having a screw-threaded hub, another disc surrounding said hub, one of said discs being provided with a positive clutch, a screw-threaded adjusting ring meshing with said screw-threaded hub to move one of said discs longitudinally, a check-nut or washer to hold said adjusting ring in position when adjusted, and a spindle having a clutch adapted to engage said disc clutch, substantially as described. 12th. The combination of a driving friction disc, a friction driven disc surrounding said driving friction disc, and having a concentric screw-threaded bore, an externally-threaded adjusting ring independent of said driving friction disc located in and meshing with said screw-threaded bore of said friction driven disc to adjust the tension of the frictional contact of said discs, said adjusting ring having a concentric bore to admit means for connecting said driving friction disc, with a rotative part, and a check-nut or washer to hold said adjusting ring in position, substantially as described. 13th. The combination of a driving friction disc, a spindle projecting therefrom, a screw-threaded adjusting ring surrounding said spindle, a check-nut or washer interposed between said adjusting ring and said driving friction disc, and a friction driven disc located on the other side of said driving friction disc and provided with screw-threads to mesh with the screw-threads of said adjusting ring, said check-nut or washer and said friction driven disc being connected together, to turn in unison by a slip-joint whereby said last-mentioned parts can have independent longitudinal movement towards and from each other, substantially as described. 14th. The combination of a driving friction disc, a spindle projecting therefrom, a screw-threaded adjusting ring surrounding said spindle, a check-nut or washer interposed between said adjusting ring and said driving friction disc and provided with a lug upon its periphery a cup-shaped friction driven disc having a slot in its side wall to receive the lug of said check-nut or washer and also having screw-threads to mesh with the screw-threads of said adjusting ring, substantially as described. 15th. The combination of a spindle having an axial socket, said spindle being provided with a clutch to enable it to impart rotary motion, the walls of said axial socket being indented by a concentric groove, and a spring extending along said groove and extensible into said socket, substantially as described. 16th. The combination of a spindle provided with a clutch and having an axial socket, the walls of said socket being indented by a concentric groove, a spiral spring placed along said concentric groove, and a shaft adapted to enter said socket and provided with a clutch to engage said spindle clutch, said shaft having a shoulder to co-act with said spring, to connect said shaft longitudinally with said spring, substantially as described. 17th. The combination of a spindle having one of its ends provided with an axial socket, and a coupler-clutch connected with said end of said spindle, and an independent shaft adapted to enter said socket and provided with a coupler-clutch, to engage said spindle coupler-clutch, substantially as described. 18th. The combination of a spindle having one of its ends provided with an axial socket, a coupler-clutch connected with said end of said spindle and having under-cut edges on opposite sides, and a shaft adapted to enter said socket and provided with a coupler-clutch having opposite sides oppositely under-cut to engage said spindle coupler-clutch, substantially as described. 19th. The combination of a spindle having a flange and an axial socket, a disc connected with said flange said disc having an axial bore and being provided with a coupler-clutch, and another disc having axial shaft to enter said socket and a coupler-clutch to engage said coupler-clutch on said

disc, substantially as described. 20th. The combination of a spindle having a flange and an axial socket, a disc connected with said flange and having an axial bore that registers with said socket, said parts having an axial recess of greater diameter than said axial socket and located between their opposed surfaces, a retaining spring located along the groove thus formed in the wall of said socket and extensible into said socket, said disc having a coupler-clutch and another disc having an axial shaft to enter said socket and a coupler-clutch to engage said coupler-clutch, substantially as described. 21st. The combination of two discs provided with coupler-clutches, the coupler-clutches of one of said discs having opposite sides oppositely under-cut, and the coupler-clutch of the other disc having clutch-faces adapted to engage said under-cut coupler-clutch, the distance between the clutch-faces of the second mentioned coupler-clutch being greater than the distance between the under-cut edges of the first-mentioned coupler-clutch, to enable the latter to pass between said clutch-faces, substantially as described. 22nd. The combination of two discs, one of said discs being provided with a coupler-clutch having opposite sides oppositely under-cut at a right angle, and the other of said discs having a coupler-clutch provided with correspondingly under-cut clutch faces, the distance between said clutch-faces of the second mentioned coupler-clutch being greater than the distance between the under-cut edges of said first-mentioned coupler-clutch, to enable the latter to pass between said clutch-faces, substantially as described. 23rd. The combination of two wheels, each of said wheels being provided with a clutch, means to rotate said wheels in opposite directions, a shaft having a coupler-clutch, a spindle having a clutch to connect said spindle with either of said wheels, and a coupler-clutch to connect said spindle with said shaft, said coupler-clutches being under-cut to a greater degree than said wheel clutches to enable said coupler-clutches to remain in mesh to draw said spindle-clutch out of engagement with either of said wheel-clutches, substantially as described. 24th. The combination of a spindle having an axial socket, the walls of said socket being indented by a concentric groove, an independent shaft adapted to be inserted into and removed from said socket during the rotation of said spindle, a catch carried by one of said parts, means to connect said spindle and shaft together in rotary driving engagement, said shaft having a shoulder so located along the portion of said shaft that enters said socket, that said catch, said shoulder and said groove are in co-operative position to connect said spindle and said shaft longitudinally together before said shaft enters into rotary driving engagement with said spindle, substantially as described. 25th. The combination of a spindle having an axial socket, and a catch extensible into said socket, with an independent shaft whose diameter permits it to be freely inserted into and removed from said socket during the rotation of said spindle, and means to connect said spindle and shaft together in rotary driving engagement, said shaft having a shoulder that is so located along the periphery of said shaft that said shoulder is above or within said catch, before said spindle and shall enter into said rotary driving engagement to connect said spindle and shaft longitudinally together while permitting one to rotate independently of the other, substantially as described. 26th. The combination of a spindle provided with a coupler-clutch and having an axial socket, a catch carried by said spindle, and extensible into said socket, an independent tool-holder provided with a coupler-clutch and having an axial shaft adapted to be inserted into and removed from said socket during the rotation of said spindle, said shaft having a shoulder that is so located along the periphery of said shaft that said shoulder is above said catch before said coupler-clutches enter into rotary engagement to connect said spindle and shaft longitudinally together, said shaft also having a cylindrical slideway of reduced diameter extending below said shoulder, at a distance greater than the depth to which the coupler-clutches mesh when in rotary engagement, to enable said shaft to slide independently of said catch to permit said coupler-clutches to engage and disengage, substantially as described. 27th. The combination of a body having two jaws, means to move one of said jaws towards the other, the lower portions of said jaws having opposed aligning faces, the upper portions of said jaws overhanging said lower portions and having two parallel driving faces extending inward beyond said lower aligning faces at an acute angle to the direction of movement of said jaws, substantially as described. 28th. The combination of a body having two jaws, means to move one of said jaws towards the other, said jaws being provided with aligning faces, and a pair of fingers fastened to said jaws above said aligning faces, each of said fingers being provided with a driving face that is parallel to that of the other and which extends inward beyond its associate aligning face at an acute angle to the direction of movement of said jaws, substantially as described. 29th. The combination of two screw-threaded jaws, a tubular body surrounding said jaws and having an opening in its side walls, a right and left screw meshing with said jaws and having a portion located in said opening, said body at said opening being provided with means to prevent end movement of said screw in said body, and means to retain the opposed faces of said jaws parallel with the axis of said body, substantially as described. 30th. The combination of two screw-threaded jaws, a tubular body surrounding said jaws and having a transverse opening or openings and provided with oppositely acting thrust-plates, a right and left threaded screw meshing with said jaws and adapted to engage said thrust-plates to prevent end movement of said screw in said body, and means to retain the opposed faces of

described. 31st. The combination of two screw-threaded jaws, a tubular body surrounding said jaws and having an opening in its side walls, a right and left threaded screw meshing with said jaws and having a portion located in said opening, a thrust-nut located in said opening and connected with said screw to resist end movement thereof, said body being provided with means to prevent end movement of said thrust-nut in either direction, and means to retain the opposed faces of said jaws parallel with the axis of said body, substantially as described. 32nd. The combination of two screw-threaded jaws, a tubular body surrounding said jaws and having an opening in its side walls, a right and left threaded screw meshing with said jaws and having a portion located in said opening, a thrust-nut attached to said screw to turn therewith and journalled in said opening, the outer face of said thrust-nut having bearing against the inner surface of said body and the inner face of said thrust-nut having a bearing against the outer surface of said body to prevent end movement of said screw in said body in either direction and means to retain the opposed faces of said jaws parallel with the axis of said body, substantially as described. 33rd. The combination of two screw-threaded jaws, a tubular body surrounding said jaws and having an opening in its side wall, a right and left threaded screw having a portion located in said opening, a thrust-nut attached to said screw to turn therewith and journalled in said opening, the wall of said opening being indented by a lateral recess in which is located said thrust-nut and which recess has end walls that hold said thrust-nut from end movement in either direction, and means to retain the opposed faces of said jaws parallel with the axis of said body, substantially as described. 34th. The combination of two screw-threaded jaws, a tubular body surrounding said jaws and having a transverse opening or openings provided with oppositely acting thrust-plates, a right and left threaded screw meshing with said jaws and adapted to engage said thrust-plates to prevent end movement of said screw in said body, and an aligning piece located between said jaws and the inner wall of said body and connected with said body to rotate in unison therewith, substantially as described. 35th. The combination of a tubular body, a centreing and aligning mechanism surrounded by said body, said body and said mechanism being longitudinally movable, the one along the other, and means to connect said mechanism to said body to rotate in unison therewith, substantially as described. 36th. The combination of two screw-threaded jaws, a tubular body surrounding said jaws, a right and left threaded screw meshing with said jaws, an aligning piece interposed between said jaws and said body, said aligning-piece and said body being longitudinally movable, the one along the other, substantially as described. 37th. The combination of a driving part, another part connected to rotate therewith, and longitudinally movable therealong, two jaws supported by said longitudinally movable part, means to move said jaws towards each other, and means to lock said longitudinally movable part at intervals along said driving part, substantially as described. 38th. The combination of a driving part, two screw-threaded jaws, a right and left threaded screw meshing with said jaws, the jaws and screw being connected to rotate in unison with and being longitudinally movable along said driving part, and means to lock said jaws to the driving part to prevent said longitudinal movement, substantially as described. 39th. The combination of two screw-threaded jaws, a tubular body surrounding said jaws, a right and left threaded screw meshing with said jaws, means to prevent end movement of said screw in said body, and an aligning-piece, said aligning-piece and said body being longitudinally movable, the one along the other, the one having an indentation or indentures and the other a projection or projections to mesh with said indentation or indentures to lock one of said last-named parts to certain intervals along the length of the other, substantially as described. 40th. The combination of two jaws, a tubular body surrounding said jaws, a right and left threaded screw located on one side of said jaws, means to prevent end movement of said screw in said body, and an aligning-piece located between the outer side of said jaws and the inner wall of said body, one side of said jaws bearing upon said aligning-piece and the other side of said jaws being screw-threaded to mesh with said screws and having projections that extend beyond said screw-threaded portions over and under said screw, said aligning-piece and said body being longitudinally movable the one along the other, whereby the lateral pressure exerted by said screw-threaded parts when under strain will serve to clamp last-named parts together, substantially as described. 41st. The combination of a body having a rack, a spring located under said rack, another part having a rack to mesh with said first-mentioned rack, and a push-button carried by said second-mentioned part and provided with a plane surface to bear directly upon the ends of the teeth of said first-mentioned rack to disconnect said racks, substantially as described. 42nd. The combination of a driving part having a rack, a longitudinally movable tubular body surrounding said driving part and having a rack, a spring or springs to hold said racks in mesh, means to disengage said racks, a pair of jaws supported by said tubular body, and means to move said jaws together, substantially as described. 43rd. The combination with a normally immovable aligning-piece having a socket to receive a tool, the inner portion of said socket being screw-threaded, said aligning-piece being provided with means to connect said tool to rotate in unison therewith, of a screw-threaded centre-piece situated in said screw-threaded portion of said socket, whereby said centre-piece can be adjusted longitudinally to centre said tool,

substantially as described. 44th. The combination of an aligning-piece having an axial bore meeting a transverse bore, and provided with axially located centering means, a socket-piece located in said transverse bore and movable transversely through the axis of said aligning-piece, a frame, said aligning-piece being longitudinally movable along said frame, substantially as described. 45th. The combination of an aligning-piece having an axial bore meeting a transverse bore and provided with axially located centering means, a socket-piece located in said transverse bore and movable transversely through the axis of said aligning-piece, a frame, said aligning-piece being longitudinally movable along said frame, and means to lock said aligning-piece to said frame to prevent said longitudinal movement, substantially as described. 46th. The combination of a screw-threaded frame, an aligning-piece that is screw-threaded to mesh with said frame, and provided with means to receive and centre a tool or tool-holder, and means to connect said frame and aligning-piece to rotate in unison, substantially as described. 47th. The combination of a screw-threaded frame provided with a transverse opening, an aligning-piece that is screw-threaded to mesh with said frame and likewise provided with a transverse opening, and another part located in said transverse openings to prevent the independent rotation of said frame and aligning-piece, substantially as described. 48th. The combination of a screw-threaded frame having a transverse opening, a screw-threaded aligning-piece to mesh with said frame and having an axial bore meeting a transverse opening, said aligning-piece being also provided with axially located centering, and a socket-piece to mesh with said transverse openings in said aligning-piece and frame, substantially as described. 49th. The combination of a frame having a transverse opening and provided with a screw-threaded portion interrupted by an unthreaded portion, an aligning-piece having a transverse opening, and provided with a screw-threaded portion interrupted by an unthreaded portion, and a transversely movable part to mesh with said transverse openings when the screw-threaded portions of said parts are in mesh, substantially as described. 50th. A body having an axial bore terminated at its inner end by a transversely movable wedge, and provided with a transverse bore opening into said axial bore, and adapted to receive a stud-nut, substantially as described. 51st. A body having an axial bore adapted to receive a stud, and terminated at its inner end by a transversely movable wedge, substantially as described. 52nd. A body having an axial bore adapted to receive a stud and terminated at its inner end by a transversely movable wedge, a transverse bore opening into said axial bore, an internally screw-threaded stud-nut situated in said transverse bore and connected to rotate with said body, substantially as described. 53rd. A body having an axial bore adapted to receive a stud and terminated at its inner end in a transversely movable wedge, a transverse bore opening into said axial bore, a stud-nut having a screw-threaded bore, said stud-nut being situated in said transverse bore and connected to rotate with said body, and means to register said screw-threaded bore of said stud-nut with said axial bore of said body, substantially as described. 54th. A body having an axial bore adapted to receive a stud and a transverse bore opening into said axial bore, a stud-nut having a screw-threaded bore and situated in said transverse bore and connected to rotate in unison with said body, and a transversely movable wedge located in said body above said stud-nut, substantially as described. 55th. A body having an axial bore adapted to receive a stud, two transverse bores opening into said axial bore, a stud-nut having a screw-threaded bore and situated in one of said transverse bores, and a transversely movable wedge located in the other of said transverse bores, substantially as described. 56th. A body having an axial bore provided with screw threads to mesh with a stud, and a movable wedge adapted to co-act with said stud, substantially as described. 57th. A body having an axial bore terminated at its inner end by a slip-surface, a transverse bore opening into said axial bore, and an internally screw-threaded stud-nut located in said transverse bore and connected to rotate with said body, substantially as described. 58th. A body having an axial bore adapted to receive a stud, a removable stud-nut adapted to pass within said bore to mesh with said stud, a slip-surface to co-act with said stud, and means to connect said stud-nut longitudinally with said body, substantially as described.

No. 61,570. Fire and Weather Proof Composition.

(Composition à l'épreuve du feu et du temps.)

Johannes Stocker and Hermann Zander, both of Rathenow, Prussia, 2nd November, 1898; 6 years. (Filed 21st March, 1898.)

Claim.—1st. The herein described fire and weather-proof composition, consisting of sodium or potassium silicate and caustic soda dissolved in the same, ground fire-clay, burnt magnesite, and ground steatite, substantially as set forth. 2nd. The herein described fire and weather-proof composition, consisting of sodium or potassium silicate and caustic soda dissolved in the same, ground fire-clay, burnt magnesite and ground asbestos-fibres, substantially as set forth. 3rd. The herein described fire and weather-proof composition, consisting of sodium or potassium silicate and caustic soda dissolved in the same, ground fire-clay, burnt magnesite, ground steatite or asbestos-fibres and a suitable vegetable oil, substantially as set forth. 4th. The herein described fire and weather-proof composition consisting of sodium or potassium silicate and caustic soda

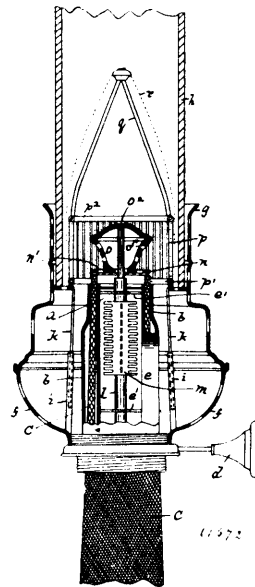
dissolved in the same, ground fire-clay, burnt magnesite, ground asbestos-fibres and fish-glué, substantially as set forth.

No. 61,571. Process of Producing Salts from Metallic Anodes. (Procédé pour la production du sel d'anode métallique.)

Dr. Otto Carl Strecker and Dr. Hans H. Strecker, both of Kohn, Rhine, Prussia, 2nd November, 1898; 6 years. (Filed 12th January, 1898.)

Claim.—A process for the production of salts, which are either insoluble or with difficulty soluble in water or solutions of salts, by means of electrolysis from metal anodes characterized thereby, that the mixture of the solutions of two salts, used as the electrolyte in such proportions that the electrolyte contains the one (the dissolving salt) in quantity of the greatest conductivity of this salt, and the other (the precipitating salt) in quantity of the electro-chemical equivalent of the density of current employed.

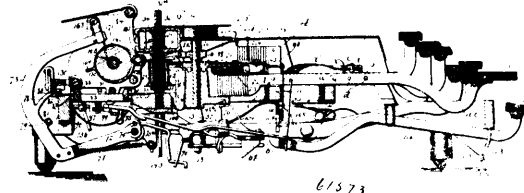
No. 61,572. Oil Vapour Burner. (Brûleur d'huile à vapeur.)



Moritz Brenstein, 38 Mauer Strasse, Berlin, Germany, 2nd November, 1898; 6 years. (Filed 13th December, 1897.)

Claim.—In an oil gas lamp, having a circular burner and interior air-feed with a perforated distributing plate above the mouth of the said feed, the combination of an interior and exterior hollow perforated body above the said plate and within and without the flame, for the purpose of fore-warming the feed air, substantially as described.

No. 61,573. Type-Writing Machine. (Clavi-graphic.)



Richard William Uhlig, College Point, New York, U.S.A., 2nd November, 1898; 6 years. (Filed 18th November, 1897.)

Claim.—1st. In a typewriting machine the combination with a type carrier, gearing connected therewith, and key levers, of rollers between said key levers and said gearing, substantially as set forth. 2nd. In a typewriting machine the combination with a type carrier, gearing connected therewith, and levers constructed to impart motion to said gearing, of key levers, and a rollers carried by each of said levers and adapted to be engaged by said key levers, substantially as set forth. 3rd. In a typewriting machine, the combination with a type carrier, gearing connected therewith and key levers, of a lever having a rack bar to impart motion to said gearing, an arm on said lever, lugs on said arm and a roller mounted in said lugs and adapted to be engaged by the key levers, substantially as set forth. 4th. In a typewriting machine, the combination with a type wheel, a pinion connected therewith, key levers and intermediate mechanism for imparting motion to said type wheel, of two flyers adapted to receive motion from said pinion and to move together

simultaneously in the same direction so as to co-operate with the key levers to stop the gearing and hold the type carrier in the position to which it may be moved, substantially as set forth. 5th. In a typewriting machine, the combination with a type carrier, a pinion connected therewith, key levers and intermediate devices for moving the type carrier, of two flyers constructed to receive motion from said pinion and adapted to co-operate with the key levers, one of said flyers having curved arms terminating near the respective sides of the other flyer, substantially as set forth. 6th. In a typewriting machine, the combination with a type carrier, a pinion connected therewith, key levers and devices intermediate of the key levers and pinion whereby to rotate the type carrier, of a flyer constructed to receive motion from said pinion, said flyer having two arms at its free end to receive a key lever between them, whereby to hold the type carrier in the position to which it may be moved by said key lever, substantially as set forth. 7th. In a typewriting machine, the combination with a type carrier, a pinion connected therewith, key lever and devices intermediate the key levers and said pinion, of a flyer constructed to receive motion from said pinion, said flyer having two curved adjustable arms at its free end adapted to receive a key lever between them, substantially as and for the purpose set forth. 8th. In a typewriting machine, the combination with a type carrier, and a pinion connected therewith, of two flyers constructed to receive motion from said pinion, one of said flyers having two arms which terminate near the respective sides of the other flyer, key levers having bevelled edges to enter between one flyer and one or the other arm of the other flyer and propelling devices between said key levers and said pinion, substantially as set forth. 9th. In a typewriting machine, the combination with the carrier and gearing connected therewith, of a series of key levers, pivoted levers co-operating with the key levers, and with said gearing, and a universal bar to be actuated by said key levers, said universal bar being constructed and adapted to return said pivoted levers to and retain them in their normal position, substantially as set forth. 10th. In a typewriting machine, the combination with a type carrier, key levers and gearing intermediate of the type carrier and key levers, of a universal bar to be actuated by the key levers and co-operating with the gearing to return the same and the type carrier to and retain them in their normal positions, substantially as set forth. 11th. In a typewriting machine, the combination with a type carrier, key levers, gearing between the key levers and type carrier and a flyer co-operating with said gearing and key levers, of a universal bar to be actuated by said key levers and co-operating with said gearing and flyer to retain them in their normal position, substantially as set forth. 12th. In a typewriting machine, the combination with a type carrier, key levers, gearing co-operating with the key levers and type carrier and a flyer co-operating with the key levers and gearing, of a universal bar to be actuated by said key levers, and arms on said universal bar projecting toward each other and adapted to co-operate with the flyer to prevent the vibration of the latter when it comes to normal position, substantially as set forth. 13th. In a typewriting machine, the combination with a type carrier, and gearing connected therewith, of two pivoted levers, key levers co-operating therewith, a pivoted universal frame connected with said key levers and arms secured to said universal frame and acting to force said pivoted levers to and retain them in their normal positions, substantially as set forth. 14th. In a typewriting machine, the combination with a type carrier, gearing connected therewith pivoted levers co-operating with said gearing and key levers constructed to actuate said pivoted levers, of a universal bar to be actuated by said key levers and adapted to engage said pivoted levers and move them to their normal positions, a pivoted device connected with said universal bar and arms secured to said pivoted device and adapted to engage said pivoted levers and co-operate with the universal bar to return said pivoted levers to and return them in their normal positions, substantially as set forth. 15th. In a typewriting machine, the combination with a type-carrier, gearing connected therewith and key levers, of two vertical shafts, levers secured to said shafts and co-operating with said gearing and key levers, a universal bar to be actuated by the key levers, and adapted to engage said pivoted levers, a pivoted device under the frame of the machine and connected with said universal bar, a bevelled block on said pivoted device, pins also on said pivoted device, and arms on said shafts and co-operating with said bevelled block and pins to assist in returning said pivoted levers, gearing and type-carrier to their normal positions, substantially as set forth. 16th. In a typewriting machine, the combination with a type-carrier, key levers, means intermediate of the key levers and type wheel for operating the latter, and a universal bar common to said key levers, of a star wheel secured to the type carrier a dog to engage said star wheel, and devices intermediate of said dog and universal bar for forcing the dog into engagement with the star wheel and lock the type-carrier in writing position, substantially as set forth. 17th. In a typewriting machine, the combination with a type-carrier key lever, operating means between the key levers and type-carrier, and a universal bar common to the key levers, of a star wheel secured to the type-carrier, a spring pressed dog normally out of contact with said star wheel and devices intermediate of the dog and key levers for forcing said dog into engagement with the star wheel whereby to lock the type-carrier in writing position, substantially as set forth. 18th. In a typewriting machine, the combination with a type-carrier, key levers, gearing intermediate of the key levers and type-carrier and a universal bar common to

said key levers, of a star wheel secured to said type-carrier a spring pressed dog normally out of contact with said star wheel, arms secured to said dog, a pivoted device under the frame of the machine and connected with said universal bar and arms secured to the pivoted device and adapted to engage the arms on said dog whereby to force the latter into contact with the star wheel, substantially as set forth. 19th. In a typewriting machine, the combination with a frame having a slotted flange, a type-carrier, gearing connected with said type-carrier and key levers projecting through said slotted flange and co-operating with said gearing, of a universal bar concentric with said flange, a guide pin secured to said universal bar and adapted to move in one of the slots of said slotted flange and hammer mechanism, connected with said universal bar, substantially as set forth. 20th. In a typewriting machine, the combination with a frame having a slotted flange, of a type carrier, gearing connected therewith, a series of key levers projecting through the slots of said flange and co-operating with said gearing, and cord laced through said slotted flange, substantially as and for the purpose set forth. 21st. In a typewriting machine, the combination with a type-carrier, key levers and gearing between said key levers and type-carrier, of a universal bar common to said key levers, a spring connected with said universal bar and means for adjusting said spring whereby to regulate the tension of the key levers, substantially as set forth. 22nd. In a typewriting machine, the combination with a type-carrier, key levers and gearing between said key levers and type-carrier, of a universal bar common to said key levers, a spring attached to one end of said universal bar, and a screw adjustably attached to the frame of the machine, to which screw the other end of said spring is attached, substantially as set forth. 23rd. In a typewriting machine, the combination with a type-carrier, key levers and gearing between the key levers and type-carrier, of a pivoted frame connected with said key levers, and a hammer engaged and forced directly by said pivoted frame, against the paper, ribbon and type-carrier. 24th. In a typewriting machine, the combination with a type-carrier, key levers and gearing between the key levers and type-wheel, of a pivoted hammer, a pivoted frame connected with the key levers, a connection between said hammer and pivoted frame, whereby the movement of the latter will result in a quick pull on the hammer and throw the same, substantially as set forth. 25th. In a typewriting machine, the combination with the type-carrier, key levers and intermediate actuating mechanism, of a pivoted hammer, a pivoted frame connected with the key levers, a lug projecting from the arm of the hammer at the pivotal point thereof, and a connection between said lug and the pivoted end of the frame, substantially as set forth. 26th. In a typewriting machine, the combination with a type-carrier, key levers and an intermediate actuating mechanism, of a pivoted frame connected with the key levers, a pivoted hammer, a lug projecting from the arm of said hammer at the pivotal point thereof, an arm projecting from the pivoted end of the pivoted frame, and a bar pivoted at one end to said lug on the hammer and having a movable connection at its other end with said arm on the pivoted frame, substantially as set forth. 27th. In a typewriting machine, the combination with a type-carrier, key levers and gearing between the key levers and a type-wheel, of a pivoted hammer, a pivoted frame adapted to engage and operate said hammer to force the head thereof against the paper, ribbon type carrier, and a spring attached at one end to said hammer and at the other end to the machine frame and tending to return the hammer to normal position, substantially as set forth. 28th. In a typewriting machine, the combination with a frame, of a pivoted hammer, an arm or projection thereon, and a cushion on said arm or projection adapted to engage the frame and limit the return movement of the hammer, substantially as set forth. 29th. In a typewriting machine, the combination with a frame and a type-carrier, of a pivoted hammer, and a stop on the pivoted hammer adapted to strike the frame and limit the force of the blow of the hammer against the type wheel, substantially as set forth. 30th. In a typewriting machine, the combination with a frame and a type-carrier, of a pivoted hammer and an adjustable stop constructed and adapted to limit the force of the blow of the hammer against the type-carrier, substantially as set forth. 31st. In a typewriting machine, the combination with a frame and a type-carrier, of a pivoted hammer, an arm or projection thereon and an adjustable head on said arm or projection, said adjustable head being adapted to strike the frame and limit the force of the blow of the hammer against the type-carrier, substantially as set forth. 32nd. The combination in a typewriting machine, of a type-carrier, means for operating the same, a carriage, a hammer, and a stop constructed and adapted to prevent the operation of the hammer when the carriage approaches the end of its travel, substantially as set forth. 33rd. The combination in a typewriting machine, of a type-carrier, means for operating the same, a carriage and an adjustable stop constructed and arranged to prevent the operation of the hammer when the carriage approaches the end of its travel, substantially as set forth. 34th. The combination in a typewriting machine, of a type-carrier, means for operating the same, a carriage, a stop for preventing the operation of the hammer when the carriage approaches the end of its travel and means for moving said stop out of the path of the hammer, substantially as set forth. 35th. The combination in a typewriting machine, of a type-carrier, means for operating the same, a carriage, a revolvable rod mounted in the carriage, a hammer an arm on said revolvable rod adapted to prevent the operation of the hammer when the carriage approaches the end of its

travel and a thumb piece on said revoluble rod, substantially as set forth. 36th. The combination in a typewriting machine, of a type-carrier, means for operating the same, a carriage, a hammer, and an adjustable stop arm carried by the carriage and adapted to prevent the operation of the hammer when the carriage approaches the end of its travel, substantially as set forth. 37th. The combination in a typewriting machine, of a type-carrier means for operating the same, a hammer, a carriage, a rod, and a stop arm for the hammer mounted on said rod and adjustable longitudinally thereof, substantially as set forth. 38th. The combination in a typewriting machine, of a type-carrier, means for operating the same, a carrier, a hammer, a rod having a series of notches or grooves therein, a stop arm mounted on said rod and a spring-dog carried by the stop arm and adapted to enter one or another of said grooves or notches, substantially as set forth. 39th. The combination in a typewriting machine, of a type-carrier, means for operating the same, a carriage, a hammer, a bell and a hammer stop constructed and arranged to operate simultaneously when the carriage approaches the end of its travel, substantially as set forth. 40th. The combination in a typewriting machine, of a frame, a carriage mounted thereon, an adjustable stop on the frame, a revoluble rod mounted in the carriage, a bevelled pin on said rod, a spring for maintaining said pin in line with the stop on the frame, a pin for limiting the revoluble movement of said rod and a thumb-piece on said rod, substantially as set forth. 41st. In a typewriting machine, the combination with a type-carrier, of a pinion, ball bearings for said pinion, gearing between said pinion and type-carrier, key levers and gearing between said levers and pinion, substantially as set forth. 42nd. In a typewriting machine, the combination with a type-carrier and an elongated pinion connected therewith, of two segments meshing with said elongated pinion, means for adjustably securing said segments together, key levers and intermediate devices co-operating with said key levers and said segments, substantially as set forth. 43rd. In a typewriting machine, the combination with a type-carrier, and an elongated pinion connected therewith, of two segments meshing with said elongated pinion, one of said segments having a slot therein, a headed screw passing through said slot and entering the other segment, key levers and intermediate devices co-operating with said key levers and segments, substantially as set forth. 44th. A type-wheel for a typewriting machine, consisting of a shell having letters and characters on its periphery, said shell having openings in its ends, enlargements co-incident with said openings, the interior of said shell being curved at the juncture of the ends and peripheral wall of the shell, substantially as set forth. 45th. The combination in a typewriting machine, of a frame, a series of radiating key levers mounted on said frame, a lug on each key lever, finger keys or buttons having letters and characters thereon and having sockets for the reception of said lugs, said sockets being disposed at an angle to the letters and characters and at an angle to the letters and characters and at an angle to the key levers, whereby the letters and characters on all the finger keys or buttons will be parallel with each other at a right angle to the operator, substantially as set forth. 46th. In a type writing machine, the combination with the carriage frame, of a paper carrying roller mounted therein, a knob on the journal of said roller, a feed roller co-operating with the paper carrying roller, a notched wheel on said feed roller, each notch of said notched wheel representing one-half of a line space, a spring actuated lever having a tooth to engage said notched wheel, a pin on said lever, and a weighted lever pivoted between its ends to the carriage frame and having a hook to engage said pin, whereby to retain the tooth on the first mentioned lever out of engagement with the notched wheel, substantially as set forth. 47th. In a type writing machine, the combination with a carriage frame, of a paper carrying roller and a feed roller mounted in said frame, a ratchet wheel on the journal of the feed roller, a lever pivoted to the carriage frame and having a hook-shaped lower end adapted to engage the journal of the feed roller whereby to limit the throw of said lever, a ratchet bar carried by the lever and adapted to mesh with said ratchet wheel, a spring for moving said lever in one direction, an arm or lever pivoted to the first-mentioned lever for limiting the throw of the latter, and a stop for limiting the movements of said arm or lever, substantially as set forth. 48th. In a type writing machine, the combination with a post, of a sleeve mounted on said post and having bearings at its ends only against the post, a pinion on the lower part of said sleeve, a type carrier on the upper part of said sleeve, and a flange on the sleeve under said type carrier, substantially as set forth. 49th. The herein described method of ascertaining the positions of diverging key levers on a type writing machine, consisting in drawing lines diverging from a point in rear of the machine to the front of the machine, and drawing a curved line concentric with the axis of the flyer of the machine so as to cross the divergent lines, whereby a part of the rotation of the flyer will effect a complete rotation of the type carrier geared with said flyer, substantially as set forth. 50th. In a carriage for a type writing machine, the combination with a lower sliding part and an upper hinged part, of slotted lugs depending from the hinged part, each slot being enlarged at one end, a longitudinally movable rod mounted in the sliding part of the carriage and passing through said slotted lugs, said rod having contracted portions to enter the contracted portions of the slots in said lugs, a spring bearing against said rod for moving it longi-

tudinally in one direction and maintaining it in its normal position for locking the two parts of the carriage together and a button at the other end of said rod whereby to move the rod to unlock the two parts of the carriage, substantially as set forth. 51st. In a typewriting machine, the combination with the key levers, and the ribbon reels, of spur wheels connected with said ribbon reels, a shaft having worms at its ends adapted to be moved alternately into mesh with the respective spur-wheels, ratchet mechanism connected with the worm-shaft and connections between said ratchet mechanism and the key levers, substantially as set forth. 52nd. In a typewriting machine, the combination with the key levers, and the ribbon reels, of spur-wheels connected with the ribbon reels, a shaft having worms at its ends to be made to mesh alternately with the respective spur-wheels, a ratchet-wheel secured to said worm-shaft, a lever loosely mounted on said worm-shaft, a dog carried by one arm of said lever and engaging said ratchet-wheel, and connections between the other arm of said lever and key levers, substantially as set forth. 53rd. In a typewriting machine, the combination with the frame, the key levers and the cover, the latter having a hole and a tooth projecting into said hole, of ribbon reels, spur-wheels connected with the ribbon reels, a pivotally supported bracket, a shaft revolubly mounted in said bracket, worms at the ends of said shaft to mesh alternately with the respective spur-wheels, connections between said shaft and the key levers, a spring arm projecting from said bracket and a pin secured to said spring-arm through the hole in the cover and adapted to engage one side or the other of the tooth projecting into said hole, substantially as set forth. 54th. In a typewriting machine, the combination with the ribbon reels and key levers, of spur-wheels connected with the ribbon reels, a worm-shaft adapted to be made to mesh alternately with the respective spur-wheels, a ratchet-wheel secured to said shaft, a bell-crank-lever loosely mounted on said shaft, a dog pivoted to one arm of said bell-crank-lever and engaging said ratchet-wheel, a pivoted frame, an arm on said pivoted frame adapted to engage the depending arm of said bell crank-lever and a connection between said pivoted frame and the key levers, substantially as set forth. 55th. In a typewriting machine, the combination with two shafts, of a sleeve mounted on each shaft, the upper part of each sleeve being contracted and split, a ribbon reel mounted on the contracted split portion of each sleeve, a spur wheel on each sleeve, a worm-shaft adapted to be made to mesh alternately with the respective spur-wheels and intermediate devices between the worm-shaft and the key levers for operating said worm shaft, substantially as set forth. 56th. In a typewriting machine, the combination with the cover, of line indicators on said cover, substantially as set forth. 57th. In a typewriting machine of the type-wheel class, the combination with the cover and the carriage, of line indicators of said covers, said indicators consisting of pointers projecting from the cover toward the carriage at each side of the type-carrier, substantially as set forth. 58th. In a typewriting machine, the combination with the type-wheel, of an indicator on said type-wheel so located as to denote the point of rest of the type-wheel with respect to the paper on the carriage of the machine, whereby to denote the point on paper where the last letter was pointed, substantially as set forth. 59th. In a typewriting machine, the combination with the frame and the carriage, of a spring drum attached to the frame of the machine, said drum having a groove in its periphery, a cord adapted to wind in said groove and an eye at one end of said cord adapted to receive a pin on the carriage, substantially as set forth. 60th. In a typewriting machine, the combination with a frame and a carriage, of a drum, a shank or pin adapted to screw into the frame and having a bell secured to one end thereof, said shank or pin being also adapted to pass through the drum, a hook on said shank or pin, the hole in one face of the drum being enlarged to permit the passage of said hook, a hook in the drum, a spring in the drum and attached at its respective ends to said hooks, a cord attached to the carriage and wound on said drum, and a hammer for the bell adapted to be controlled by the carriage, substantially as set forth. 61st. In a typewriting machine, the combination with the type-carrier, gearing connected therewith, key levers co-operating with said gearing and a cover having a slot therein, of a flyer connected with said gearing and a pin on said flyer and projecting through the slot in the cover, substantially as set forth. 62nd. In a typewriting machine, the combination with two shafts, of sleeves mounted thereon, screws in the ends of said shafts whereby to prevent longitudinal displacement of said sleeves, ribbon reels on said sleeves, spur wheels on said sleeves, a worm wheel adapted to mesh alternately with the respective spur wheels, key levers and connections between said key levers and worm shaft, substantially as set forth. 63rd. In a typewriting machine, ribbon reel consisting of two parallel plates and a hub, and a hook secured to said hub for the reception of the end of the inking ribbon, substantially as set forth. 64th. In a typewriting machine, the combination with a type-carrier, gearing connected therewith and levers co-operating with said gearing and having rollers, of a series of key levers, each having a curved cam to co-operate with said levers, substantially as set forth. 65th. In a typewriting machine, the combination with a series of pivoted key levers, of a series of spring fingers bearing on said key levers and serving to maintain their normal position, substantially as set forth. 66th. In a typewriting machine, the combination with a frame and a series of pivoted key levers, of a plate or bar over said key levers and serving to limit the movements thereof and spring fingers projecting from said plate or bar and bearing against said key levers, substantially as set forth.

67th. In a typewriting machine, the combination with a series of pivoted key levers, of a series of spring fingers made in a single piece and bearing against said key levers, substantially as set forth.

68th. In a typewriting machine, the combination with key levers, a type-carrier and gearing for transmitting motion to said type-carrier, of two pairs of pivoted arms, the arms of each pair being integral with each other, one arm of each pair being in position to be moved by engagement of the key levers therewith and racks carried by the other integral arm of each pair, whereby to transmit motion to said gearing, substantially as set forth.

69th. In a typewriting machine, the combination with a type-carrier, gearing connected therewith and key levers, of two pairs of arms or levers co-operating with the key levers and gearing, loosely mounted shafts to which the respective pairs of arms or levers are connected, arms secured to said shafts and a bevelled device constructed and adapted to hold said last-mentioned arms in their normal position and to return them to their normal position, whereby to cause the type-wheel to assume its normal position, substantially as set forth.

70th. In a typewriting machine, the combination with a type-carrier, gearing connected therewith and key levers, of two pairs of arms or levers co-operating with the key levers and said gearing, loosely mounted shafts to which the respective pairs of arms or levers are secured, arms secured to the lower ends of the respective shafts, and a bevelled block constructed to be moved by the key levers said block having a shoulder against which both the arms secured to the lower ends of the shafts rest, substantially as set forth.

71st. In a typewriting machine, the combination with a type-carrier, gearing connected therewith and key levers of two arms or levers co-operating with said key levers and gearing, loosely mounted shafts to which said arms or levers are secured, arms secured to the lower ends of said shafts, a pivoted frame common to and adapted to be moved by said key levers, a bevelled block carried by said pivoted frame and co-operating with said arms to return one or the other to its normal position and inclined pins secured to said pivoted frame and adapted to return the arm not returned by said bevelled block, substantially as set forth.

72nd. In a typewriting machine, the combination with a type-carrier, gearing connected therewith, key levers and levers co-operating with said gearing and key levers, of loosely mounted shafts to which said levers are secured, arms secured to the lower ends of said shafts, a pivoted frame engaged by said arms, and means carried by said frame constructed and adapted to return said arms and parts with which they are connected, substantially as set forth.

73rd. In a typewriting machine, the combination with a type-carrier, gearing connected therewith and key levers, of two arms or levers co-operating with said key levers and said gearing, loosely mounted shafts to which said arms or levers are secured, arms secured to the lower ends of said shafts, a pivoted frame common to and adapted to be moved by said key levers, and a bevelled block or arm carried by said pivoted frame and co-operating with the arms secured to the lower ends of said shafts, whereby to effect the return of the type-wheel and co-operating parts to their normal positions, substantially as set forth.

74th. In a typewriting machine, the combination with a type-carrier, gearing connected therewith and key levers, of two arms or levers co-operating with said key levers and gearing, loosely mounted shafts to which said arms or levers are connected, arms secured to the lower ends of said shafts, a pivoted frame, a bevelled arm or block carried by said frame and adapted to effect a movement of the arms on the lower ends of the shafts whereby to return the type-carrier and co-operating parts to their normal positions and a universal bar disposed over the key levers and connected with said pivoted frame, substantially as set forth.

75th. In a typewriting machine, the combination with a series of key levers, a type-carrier, a hammer, a carriage and a carriage feed mechanism, of a pivoted lever forming part of said feed mechanism, a universal bar common to all of said key levers, and a pivoted frame connected with the universal bar and arranged to actuate the hammer and the lever of the carriage feed mechanism, substantially as set forth.

76th. In a typewriting machine, the combination with a carriage, feed mechanism therefor, a type carrier, key levers and an actuating device between said key levers and the type-carrier, of a pivoted lever forming part of the said feed mechanism and connected with said key levers, an independent key lever and a connection between said independent key lever and the pivoted lever of the feed mechanism, the operation of said connections being independent of the type carrier operating mechanism, substantially as set forth.

77th. In a typewriting machine, the combination with a series of key levers, a carriage and a ratchet bar secured to said carriage, of a pivoted lever having a fixed dog at one end, a spring pressed dog pivoted to said lever and co-operating with the fixed dog and the rack to effect the feeding of the carriage, a pivoted device under said lever and a universal bar common to said key levers and connected with said pivoted device, whereby to effect spacing between letters when the key levers are operated, substantially as set forth.

78th. In a typewriting machine, the combination with the frame, the carriage and a ratchet bar on the carriage, of a lever pivotally supported between its ends by said frame, a fixed dog at one end of said lever, a spring-pressed dog pivotally attached to said lever and co-operating with the fixed dog and the ratchet bar, a spring tending to force the inner end of said lever downwardly and a key lever pivotally supported between its ends by the frame whereby to move said inner end of the first-mentioned lever upwardly and depress the outer or forward end thereof to move both

dogs out of engagement with the ratchet bar and thus entirely release the carriage, substantially as set forth.

79th. In a typewriting machine, the combination with a type-carrier having several rows of type thereon, of two key levers, each arranged to shift the type-carrier longitudinally and a locking device co-operating with one of said key levers to hold the type-carrier in a shifted position and with the other key lever to release said type-carrier, substantially as set forth.

80th. In a typewriting machine, the combination with the frame and the type-carrier support, of two key levers for raising said type-carrier support different distances and permit its immediate return, and two other key levers for raising the type-carrier support different distances, intermediate connections between said key levers and type-carrier support and common to them all, and locking devices co-operating with the last mentioned pair of key levers to retain the type-carrier and its support in raised position and co-operating with the first mentioned pair of key levers to release the type-carrier support and permit the type-carrier to drop to normal position, substantially as set forth.

81st. In a typewriting machine, the combination with the frame and a type-carrier support, of two pairs of key levers, one pair being adapted to raise the type-carrier temporarily and the other pair being adapted to cause the type-carrier to be raised and so remain, and devices co-operating with said key levers and type-carrier support in such manner that the operation of one of the key levers of the first pair will result in releasing the type-carrier support and permit the type-carrier to drop to its normal position, substantially as set forth.

82nd. In a typewriting machine, the combination with the frame and a type-carrier support, of a bar connected with said support, a pin on said bar, a spring-actuated, toothed arm to be engaged by said pin and key levers adapted to engage said bar and raise the same and the type-carrier, substantially as set forth.

83rd. In a typewriting machine, the combination with the frame and the type-carrier support, of a bar connected with said support, key levers to engage said bar to raise it, a pin on the bar, a pivotally supported toothed arm to be engaged by said pin when the bar is raised by the key lever, a spring for forcing the toothed arm toward said bar, and means for moving said toothed arm to release the bar and permit the type-carrier to drop to its normal position, substantially as set forth.

84th. In a typewriting machine, the combination with a frame and a type-carrier support, of a bar connected with said type-carrier support, two key levers adapted to engage each end of said bar to raise the same and the type-carrier support, one key lever of each pair being adapted to raise said bar further than the other, a shaft, a locking arm on one end of said shaft adapted to engage the bar and maintain it raised when a key lever of one pair is operated and an arm on said shaft to be engaged by the key levers of the other pair whereby to move the locking arm out of engagement with said bar and thus permit said bar, type-carrier support and type-carrier to drop to their normal positions, substantially as set forth.

85th. In a typewriting machine, the combination with the frame, of slotted guides secured thereto and extending therethrough, guide rods passing through said guides, a type-carrier support secured to said guide rods, a bar secured to the lower ends of said guide rods, key levers adapted to engage the respective ends of said bar, means for limiting the movements of said key levers and a locking device for said bar under control of the key levers at one end only of said bar, substantially as set forth.

86th. In a typewriting machine, the combination with the carriage, of two rollers each having journals mounted in the respective ends of the carriage and co-operating to feed the paper, one of said rollers also serving to receive and carry the paper and guide fingers embracing said paper-carrying roller, substantially as set forth.

87th. In a typewriting machine, the combination with the frame, a cover, a type-carrier, inking ribbon and a hammer, of small pins or posts on said cover adjacent to said type-carrier, and a guard of soft pliable non-metallic material disposed between the hammer and the type-wheel, said guard having perforated bosses or enlargements at its ends for the reception of the small pins or posts on the cover, substantially as set forth.

88th. The combination in a typewriting machine, of a frame having a flat horizontal top face, said top face having a number of radiating grooves therein, key levers disposed in and extending through said radiating grooves, said flat top face of the frame also having a series of transverse grooves extending across and intersecting the radiating grooves, each transverse groove being made tapering in cross-section and pivot pins secured to and projecting from opposite sides of the key levers and seated in the bottom of said transverse grooves, substantially as set forth.

No. 61,574. Process of Coating Aluminium with Other Metals. (*Procédés pour enduire l'aluminium avec d'autres métaux.*)

Gaston Weil and Alfred Levy, both of Paris, France, 2nd November, 1898; 6 years. (Filed 2nd November, 1897.)

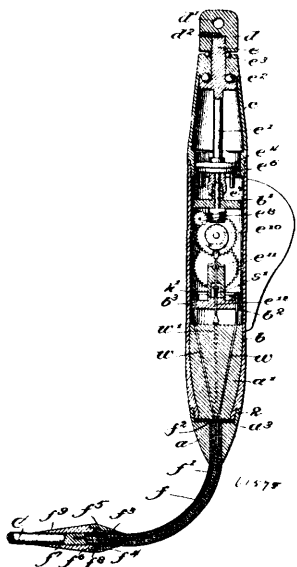
Claim.—1st. As a bath for plating aluminium or other metal which comprises an ordinary plating bath combined with one or several productions belonging to the category of the so called photographic developers, and more especially the following productions: pyrocatechine, hydroquinone, pyrogallie acid and gallates, gallic acid and gallates, tannic acid, and tannates, oxalic acid and oxalates, tartaric acid and tartarates, lactic acid and lactates, substantially as described.

2nd. A bath for silver plating aluminium and other metals which

consists of a solution of a silver salt combined with hydroquinone, substantially as described. 3rd. A bath for copper plating aluminium and other metals which consists of a solution of a copper salt combined with lactic acid, substantially as described. 4th. The process of gilding or silver plating aluminium which consists first in copper plating the aluminium in a bath consisting of a solution of a copper salt combined with photographic developer, and then in gilding or silver plating the coppered aluminium in a bath containing a gold or silver salt.

No. 61,575. Speed Indicator for Ships.

(Indicateur de vitesse pour vaisseaux.)



Warren Henry McCurdy, Boston, Massachusetts, U.S.A., 2nd November, 1898; 6 years. (Filed 15th July, 1897.)

Claim.—1st. A ship's log composed of a hollow divided shell, containing an independent frame having opposite heads packed water-tight and inserted in said shell, and containing a cam and means to move it to actuate a make-and-break device to effect the closing of an electric circuit, substantially as described. 2nd. A ship's log composed of a hollow divided shell having at one end a rotating driving-shaft, and having within said shell a train of mechanism mounted in and carried by an independent frame having opposite heads packed water-tight in said shell, and a shaft extended outwardly from one of said heads to be engaged and driven by the driving-shaft, combined with a stuffing box through which the shaft driven by the driving-shaft is extended to operate, substantially as described. 3rd. A ship's log, and a rotator therefor, a driving-shaft mounted in the former and connected to and to be rotated by the latter, and a driven-shaft within the log, said two shafts being connected together end to end by discs carried by each, and suitable fastening means, as pins, arranged to join the discs, substantially as described. 4th. A ship's log, having a chamber for the reception of an insulating plug, and open at its end for the reception of an electric cable, combined with the said cable provided with strength-giving wires and electric wires wrapped together within an insulating protector, the electric wires being arranged to co-operate with a make-and-break device in the log, substantially as described. 5th. In a ship's log, a plug at one end thereof of light insulating material as wood, solidly fitted immovably in the log, and having passages to contain the electric wires of an electric cable, an electric cable being immovably embedded in said plug, and suitable make-and-break mechanism therefor, substantially as described. 6th. In a ship's log, a head having a projection, and a slide rod having a collar, combined with a piece of tubing surrounding said rod, and connected to said head and collar to form a water-tight joint, substantially as described. 7th. A ship's log, and an electric cable containing electric wires, and strength-giving wires, nested together in a compact bunch and bound together by a protecting covering, substantially as described. 8th. A ship's log registering system, comprising a log, means contained in and connected with said log to register the ship's speed in denominations of a predetermined character, mechanism also contained in and connected with said log to register on ship-board the ship's speed in denominations in indicating shorter distances than said other denominations, said means for indicating said longer distances being normally operative, and said mechanism for indicating said shorter distances being normally inoperative, and means on ship-board to render said latter mechanism operative at will, whereby the one log operates in the system ordinarily to register the ship's

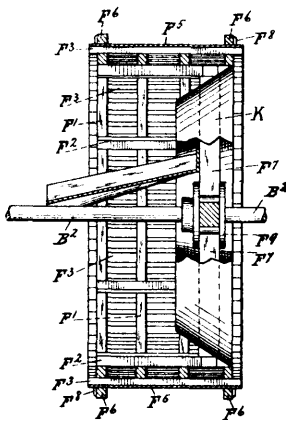
speed in denominations indicating relatively long distances and also, when required, and without removal from the water or manipulation the said log is caused to make its registrations in shorter distances, or more frequently, for a given speed, substantially as described. 9th. A ship's log registering system, comprising a log, electric circuits, two independent registers, one being normally active and one normally inactive, and means to put one or both of said registers in circuit with said log, as desired, substantially as described. 10th. A ship's log registering system, comprising a log, two registering mechanisms, electrical connections therefor, a main source of energy, as the ship's dynamo, normally in circuit, an auxiliary source of energy normally out of circuit but always active, and means to automatically put said auxiliary source of energy in circuit when said main source breaks down or ceases to supply a given amount, substantially as described. 11th. A ship's log, provided with four electric wires, making two independent circuits, substantially as described. 12th. A ship's log, provided with four electric wires making two independent circuits, the ends of said wires being sealed in the ends of rubber tubes and intermediately connected by mercury within the tubes, substantially as described. 13th. In an electric ship's log, means to prevent the entrance of water therein, and additional means to prevent the access of moisture to the terminal wires, said latter means including a rubber tube connecting the said terminals, sealed thereabout at its ends, and filled with a liquid conductor, substantially as described. 14th. A ship's log, having two independent electric circuits, and two make-and-break mechanisms, one for each circuit, substantially as described. 15th. A ship's log, having two independent electric circuits, and two make-and-break mechanisms, one for each circuit, one of said mechanisms being operated faster than the other, substantially as described. 16th. In an electric ship's log, a terminal comprising a rubber tube filled with mercury sealed against entrance of moisture, a break device to compress said tube, and means to operate the same, said devices being provided with a blunt edge engaging the tube, substantially as described. 17th. In an electric ship's log, a make-and-break mechanism, comprising a plunger, a spring retractor, a friction roll carried on said plunger, and an actuating cam, said roll engaging said cam and said retractor maintaining said engagement, substantially as described. 18th. In an electric ship's log, a make-and-break mechanism, comprising a plunger, a bearing therefor, a roll journalled in one end of said plunger, a cam engaging said roll, and means to actuate the same, substantially as described. 19th. The combination with a ship's log, and its cable, of a section extending beyond the log and capable of limited flexure, said section having a shouldered annulus secured on its outer end, and a screw nut abutting against said shoulder, and the adjacent end of the cable having a long tapered socket end, to offer the least resistance in the water, threaded to engage said screw nut opposite to said annulus, substantially as described. 20th. The combination with a ship's log, and its cable, of an intermediate section, comprising a flexible sheath, means at one end to fasten the same to the log, and a joint connection to the other end to join the section to said cable, said connection comprising a tapered and threaded socket end, a shouldered annulus, and a screw nut, substantially as described. 21st. A device for governing the trailing position of the ship's log, comprising a leader secured behind the vessel and adapted to retain the cable of the log, and having means connecting the same with the vessel whereby the cable may be shifted laterally relatively to the vessel, as desired, substantially as described. 22nd. A device for governing the trailing position of the ship's log, comprising a leader secured behind the vessel and adapted to retain the cable of the log, said cable having a flexible jacket secured thereto and provided with a shoulder to engage the forward end of said leader, said leader having means connecting the same with the vessel, whereby the cable may be shifted laterally relatively to the vessel, as desired, substantially as described.

No. 61,576. Cider Mill. (Pressoir.)

Eckhart Wettlaufer, Sebastapol, Ontario, Canada, 2nd November, 1898; 6 years. (Filed 11th March, 1897.)

Claim.—1st. In a cider mill, the frame A, the uprights A⁴, in which the openings A³, are formed, the adjustable bars A¹, loosely secured at one end in the uprights A², and at the other end in the openings A³, of the uprights A⁴, in combination with the pressure roller or wheel E, screen cylinder F, shafts B¹ and B², and means for holding said pressure roller in frictional contact with said screen cylinder, at the same time permitting said pressure roller to be automatically adjusted from said screen cylinder, substantially as and for the purpose set forth. 2nd. In a cider mill, the frame A, in the uprights A⁴, of which the openings A³, are formed, the automatically adjustable bars A¹, loosely secured at one end in the uprights A², and at the other end in the openings A³, of the uprights A⁴, and the weights J, in combination with the pressure roller E, screen cylinder F, and the shafts B¹ and B², substantially as and for the purpose set forth. 3rd. In a cider mill, a screen cylinder consisting of the hoops F¹, the battens F², the slats F³, in which the slits or openings F⁴, are formed, the perforated endless cover or carrier F⁵, and the bands F⁶, substantially as and for the purpose set forth. 4th. In a cider mill, a screen cylinder consisting of the hoops F¹, the battens F², the slats F³, in which the slits or openings F⁴, are formed, the perforated endless cover or carrier F⁵, and the bands F⁶, in combination with the chute K, substantially as and for the

purpose set forth. 5th. In a cider mill, a screen cylinder consisting of the hoops F¹, the battens F², the slats F³, in which the slits or



61576

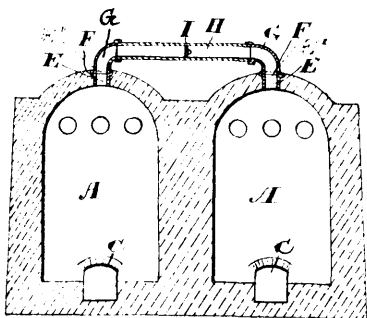
openings F⁴, are formed, the perforated endless cover or carrier F⁵ and the bands F⁶, in combination with the chute L, substantially as and for the purpose set forth. 6th. In a cider mill, a screen cylinder consisting of the hoops F¹, the battens F², the slats F³, in which the slits or openings F⁴, are formed, the perforated endless cover or carrier F⁵, the bands F⁶, pins F⁸, and arms F⁷, in combination with the chutes K and L, substantially as and for the purpose set forth. 7th. In a cider mill, a frame A, grinning box C, shaft B, pulping cylinder D, pressure roller or wheel E, and shaft B¹, in combination with the screen cylinder F, shaft B², perforated endless cover or carrier F⁵, chutes K and L, and scraper G, substantially as and for the purpose set forth. 8th. In a cider mill, a frame A, grinding box C, shaft B, and pulping cylinder D, in combination with the adjustable cross bars A¹, pressure roller E, shaft B¹, screen cylinder F, shaft B², perforated endless cover or carrier F⁵, chutes K and L, and the scraper G, substantially as and for the purpose set forth.

No. 61,577. Explosive. (Explosif.)

George G. André, Glenlean, Argyllshire, and Charles Herbert Curtis, 74 Lombard Street, London, England, 2nd November, 1898; 6 years. (Filed 24th March, 1898.)

Claim.—1st. A safety explosive compound consisting of 5 to 8 parts of woodmeal and (or) starch and 95 to 92 parts of ammonium nitrate substantially as hereinbefore described. 2nd. A safety explosive compound consisting of 5 to 8 parts of woodmeal and (or) starch and 95 to 92 parts of ammonium nitrate and potassium nitrate, the relative proportions of the ammonium nitrate and potassium nitrate being liable to slight variations as hereinbefore described. 3rd. A safety explosive compound, consisting of 12 parts of woodmeal, 85 parts of ammonium nitrate and 3 parts of potassium nitrate, or slight variations of these as hereinbefore described.

No. 61,578. Kiln. (Four.)



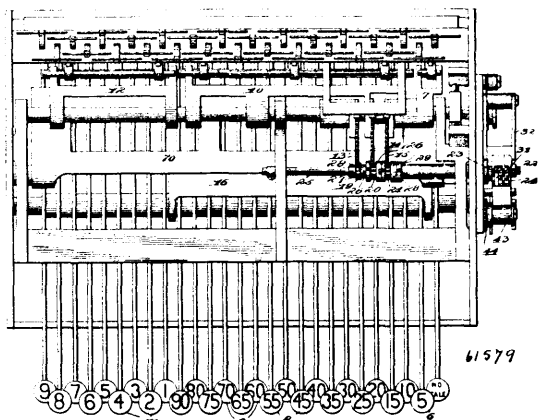
61578

George Plant, Carleton West, Ontario, Canada, 2nd November, 1898; 6 years. (Filed 11th June, 1898.)

Claim.—1st. A duplicate kiln comprising the two chambers separated by a wall and provided with the usual end fire-chambers and smoke stack and openings in the top designed to be connected by a cross pipe after the firing in one kiln has been accomplished, as and for the purpose specified. 2nd. A duplicate kiln comprising the two chambers separated by a wall and provided with the usual end fire-chambers and smoke stack and opening in the top designed

to be connected by a cross-pipe after the firing in one kiln has been accomplished and a suitable damper in the cross-pipe as and for the purpose specified.

No. 61,579. Cash Register. (Régistré à monnaie.)

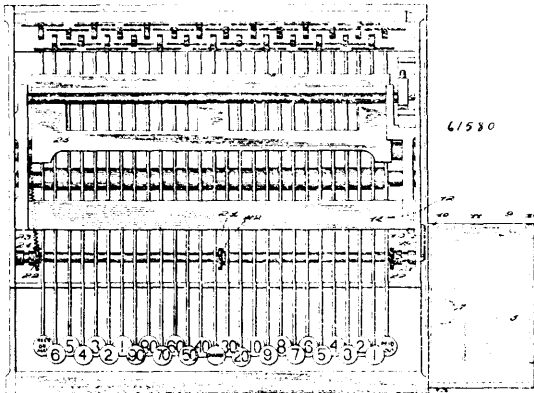


The National Cash Register Company, assignee of Thomas Carney, all of Dayton, Ohio, U. S. A., 3rd November, 1898; 6 years. (Filed 4th May, 1898.)

Claim.—1st. In a cash register, the combination with printing-wheels each provided with a star-wheel, of a pivoted frame carrying aligning arms adapted to engage said star-wheel, an operating arm connected to said frame, and a cam connected to the moving parts of the machine and engaging said arm for operating it. 2nd. In a cash register, the combination with printing-wheels each carrying an aligning or star-wheel, of a pivoted frame carrying aligning arms arranged to engage the star-wheels, a printing platen or hammer co-operating with the printing-wheels, a rotary shaft and cams on the rotary shaft arranged to actuate the frame which carries the aligning arms and the said platen or hammer. 3rd. In a cash register, the combination with the printing mechanism, of a movable platen carrying arm or hammer, and the spring pressed plunger carried by the said arm and arranged to engage the stationary portion of the frame. 4th. In a cash register, the combination with a printing mechanism of a movable platen carrying arm, means for operating said arm and a spring pressed plunger mounted on said arm and arranged to engage a stationary portion of the frame to force the platen away from the printing devices. 5th. In a cash register, the combination with a registering mechanism, of a plurality of printing wheels, aligning devices, for said wheels connected to the moving parts of the machine, and means connecting the registering mechanism with the printing-wheels for moving the latter but at the same time allowing them to be aligned independently of the movements of the registering mechanism. 6th. In a cash register, the combination with a plurality of operating racks, of a shaft, nested sleeves mounted over said shaft collars fast on said shaft and sleeves and each formed with a projection, pinions meshing with the racks and each formed with a recess to receive its respective projection, printing-wheels mounted on said shaft and sleeves and aligning devices for said wheels. 7th. In a cash register, the combination with a printing mechanism, of an inking ribbon, a friction roller for moving said ribbon forward, gearing for operating said roller, a record strip winding roller mounted on one of said gears, and means connecting said roller to the moving parts of the machine. 8th. In a cash register comprising a series of keys, the combination with the printing mechanism, of a record strip, a winding roller for the latter, a ratchet-wheel carried by the roller, a universal bar extending across the keys and arranged to be moved when any key is operated and an arm arranged to be moved by said universal bar and bearing an actuating pawl co-operating with the said ratchet-wheel. 9th. In a cash register, the combination with the printing mechanism and an aligning pawl therefor, of a printing platen or hammer, a rotary shaft bearing cams arranged to throw the aligning pawl into engagement with the printing-wheels and to hold it there temporarily and to then actuate the printing platen or hammer, or permit it to be actuated, while the aligning pawl is so held and to then release the aligning pawl. 10th. In a cash register, the combination with a series of keys, of printing mechanism, a record strip therefor, an inking ribbon interposed between the record strip and the printing mechanism, a universal bar extending across the keys and arranged to be actuated when any key is operated, and means connecting with the universal bar to move the record strip and the printing ribbon whenever a key is actuated. 11th. In a cash register, the combination with an operating mechanism, of a series of keys arranged to actuate the same, a series of nested sleeves connected to said mechanism, printing-wheels on said sleeves, a printing platen and means connecting the same with the movable parts of the machine. 12th. In a cash register, the combination with an operating mechanism, printing-wheels, means connecting said mechanism and wheels, a movable ink ribbon, a movable printing strip and a

movable platen. 13th. In a cash register, the combination with a printing mechanism, of a movable platen and a cam mounted on a movable part of the machine and arranged to engage said platen to operate it with a hammer stroke. 14th. In a cash register, the combination with a registering mechanism, of printing-wheels connected to the same, star-wheels mounted on said printing-wheels, aligning arms arranged to engage said star wheels, and means for operating said arms upon the movements of the machine proper. 15th. In a cash register, the combination with a series of operating keys, racks arranged to be operated by said keys, nested sleeves carrying pinions which engage said racks and printing-wheels mounted on said sleeves. 16th. In a printing device for cash registers, the combination with the printing mechanism, of a movable inking ribbon for the same and an ink supply arranged to engage said ribbon and thus re-ink it as it is actuated. 17th. In a cash register, the combination with a series of operating keys, an operating mechanism arranged to be actuated by the same, a counter adapted to be operated by said mechanism and a printing device also arranged to be operated by said mechanism to print a record of the transaction. 18th. In a printing device for cash register, the combination with the printing mechanism, a movable inking ribbon and an absorbent roller saturated with ink and engaging said ribbon, and to re-ink it as it is actuated.

No. 61,580. Cash Register. (Registre à monnaie.)



The National Cash Register Company, assignee of James S. Crane, all of Dayton, Ohio, U. S. A., 3rd November, 1898; 6 years. (Filed 25th May, 1898.)

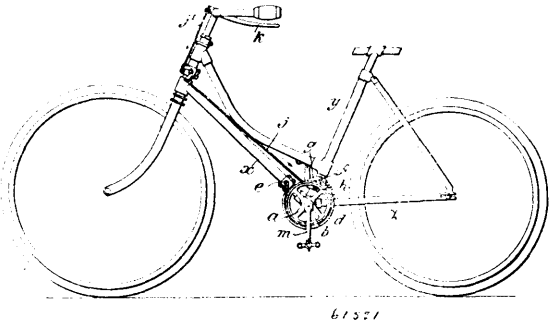
Claim.—1st. The combination with a cash register, of a receptacle on the same, a movable cover for said receptacle and means arranged to release said cover when certain of the register keys are operated but retain the same should any of the remaining keys be operated. 2nd. The combination with a cash register, of a receptacle on the same, a movable cover for said receptacle, means for normally holding the cover open, a latch controlled by the register keys, for holding said cover closed, and means connecting the cover to the movable parts of the machine whereby it is closed by the operation of said parts. 3rd. The combination with a cash register, of a receptacle on the same, a movable cover for said receptacle, a spring for normally holding said cover in one position, a latching means controlled by the register keys for holding said cover in the opposite position, and devices connected to the movable parts of the machine for moving said cover against the action of its spring upon the operation of said parts. 4th. The combination with a cash register, having a movable drawer, of a receptacle on said register, a cover for said receptacle, means for normally holding the cover open, a latch controlled by the register keys for holding the cover closed, and devices arranged to be operated by the drawer for closing said cover. 5th. The combination with a cash register, of a receptacle on the same, a movable cover for said receptacle, a spring actuated rod for normally holding said cover open, and devices connected to said rod and arranged to co-operate with the cash register drawer to close the cover. 6th. The combination with a cash register, of a receptacle on the same, a movable cover for said receptacle, a spring actuated rod for normally holding said cover open, a latching means for said rod co-operating with the register keys so as to be released by the latter and devices for closing the cover upon the operation of the cash drawer of the register. 7th. The combination with a cash register, of a receptacle on the same, a movable cover for said receptacle, a spring actuated rod for normally holding the cover open, a crank arm on said rod and a pivoted pawl on said crank arm and arranged for free movement in one direction but to move said crank arm when moved in an opposite direction and means for moving said pawl upon the operation of the machine.

No. 61,581. Bicycle Brake. (Frein de bicyclette.)

John Henry Punchard, 36 Cornwall Road, Westbourne Park, and Henry Derby, 249 Pentonville Road, both of London, England, 3rd November, 1898; 6 years. (Filed 29th June, 1898.)

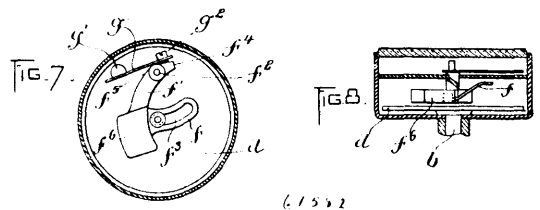
Claim.—1st. In brakes for bicycles or other road vehicles where applicable, the combination with a band wheel such as *a* of a brak

band such as *d* each end of which latter is supported on independent clips or devices adapted to be secured at any described point



to the frame tubes such as *x* and *y* and means to operate said brake band so as to apply same to said band wheel all combined and arranged to act substantially in the manner and for the purposes set forth. 2nd. In brakes for bicycles or other road vehicles where applicable, the combination with a band wheel such as *a* of a band brake such as *d* one end of which latter is mounted on a fixed support while the other end of said band is supported on a lever or bell crank like device or equivalent device pivoted or adapted to oscillate at a point situated within the perimeter (*i. e.*, between the perimeter and the centre) of the aforesaid band wheel whereby the band brake is quickly applied against the band wheel and means to operate said lever or bell crank and thereby apply said band brake, substantially in the manner and for the purposes hereinbefore described. 3rd. The improved arrangement and construction of mechanism for supporting and operating band brakes for bicycles or other road vehicles where applicable, having the several parts of such mechanism combined and arranged to act substantially as and for the purposes hereinbefore described and comprising the band wheel *a* fixed on the crank axle *b*, the band-brake *d*, the pin *e*, carried on an adjustable clip secured to the frame, to which the end *d*¹ is secured, the bell crank device *g* pivoted on pin *h* mounted on an adjustable clip and carrying pin *f*, to which the operated end *d*² of the band-brake is secured the rod *j*, suitably operated from the brake lever *k*, and pivotally secured to one end of the bell crank device to operate the same, and the spring *i* fixed at one end to the frame, and at the other to the bell crank device or lever *g*, substantially as and for the purpose specified. 4th. In a bicycle a brake and an operating lever in combination with connections for conveying motion to the former from the latter, one of the connecting rods comprising two parts overlapping one another, a lug upon one part and adapted to engage any one of several holes or notches in the other part, and a sleeve which may be slipped over the joint and locked with a set screw, substantially as and for the purpose specified.

No. 61,582. Speed Indicator. (Indicateur de vitesse.)



The Speed Meter Manufacturing Company, Portland, Maine, assignee of Albert Lyman Parcellle, Boston, Massachusetts, all in the U.S.A., 3rd November, 1898; 6 years. (Filed 25th June, 1898.)

Claim.—1st. A speed indicator comprising in combination, a rotating spindle, a pivoted weighted arm rotating in unison therewith and provided with a compensating cam, a spring also rotating with the said spindle and acting against the said cam, an index or pointer, and means to actuate the said index or pointer, from the said weighted arm, substantially as described. 2nd. In a speed indicating device actuated by centrifugal force, a weight capable of lateral movement from the axis of rotation, and a restraining spring whose effective length or tension is changed in proportion to the movement of the weight from the axis of rotation, substantially as described. 3rd. In a speed indicator, the combination of a weighted lever moving in a circular path from the axis of rotation and remaining in the same plane of rotation, said lever carrying a compensating cam, an index finger moved over a scale by the action of said weighted lever, and a restraining spring whose effective length or tension is changed in proportion to the movement of the weighted lever by the said cam, substantially as described. 4th. A speed indicator comprising indicating mechanism, a rotatory arbour, devices controlled by centrifugal force, and a longitudinally sliding wedge moved by said devices and actuating the indicating mechanism. 5th.

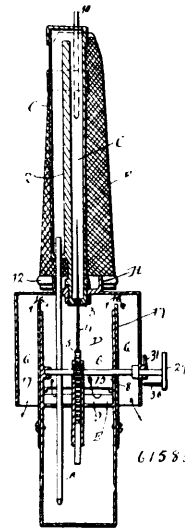
A speed indicator comprising indicating mechanism, a rotatory arbour, a weighted arm carried pivotally, said arbour and adapted to swing away from the centre of rotation by centrifugal force, and an inclined bar connected to said arm for actuating the indicating mechanism. 6th. A speed indicator comprising a rotatory arbour, a weighted arm carried pivotally by said arbour and adapted to swing away from the centre of rotation by centrifugal force, an inclined bar connected to the said arm, a hub or sleeve controlled by said inclined bar, and an index connected to said hub. 7th. A speed indicator comprising a rotatory arbour, a weighted arm carried pivotally by said arbour and adapted to swing away from the centre of rotation by centrifugal force, a stationary projection, a hub or sleeve having a helical cam slot to receive said projection, and mechanism connected to said weighted arm to move said hub axially. 8th. A speed indicator comprising a rotatory arbour, a weighted arm carried pivotally by said arbour and adapted to swing away from the centre of rotation by centrifugal force, a stationary projection, a hub having a helical cam slot to receive said projection, and a wedge connected to said arm and adapted to move said hub axially. 9th. A speed indicator comprising a rotatory arbour, a weighted arm carried pivotally by said arbour and adapted to swing away from the centre of rotation by centrifugal force, a stationary scale plate having a lug, a hub having a helical cam slot to receive said lug, and a wedge connected to the weighted arm and adapted to act on the hub to move it axially. 10th. A speed indicator comprising a rotatory arbour, a weighted arm carried pivotally by said arbour and adapted to swing away from the centre of rotation by centrifugal force, indicating mechanism, and a sliding bar connected to said arm for actuating said mechanism, said bar being formed as a wedge. 11th. A speed indicator comprising a movable indicating device, a centrifugally operated weight, a compensating cam connected to said weight, a spring bearing on said cam and means through which said weight and spring act alternately on the indicating device, the weight acting to advance the said device and the spring to return it. 12th. A speed indicator comprising a rotatory arbour, a weighted arm carried by said arbour and adapted to swing away from the centre of rotation by centrifugal force, a slotted wedge formed integrally with said arm, and mechanism actuated by said wedge for indicating the relative positions thereof. 13th. A speed indicator comprising a rotatory arbour, a weighted arm carried by said arbour and adapted to swing away from the centre of rotation by centrifugal force, a curved inclined bar carried by said arm and extending laterally from the free end thereof, and mechanism actuated by said bar for indicating the relative positions thereof. 14th. A speed indicator comprising a rotatory arbour, a weighted arm carried by said arbour and adapted to swing away from the centre of rotation by centrifugal force, a compensating cam on said arm, a spring bearing against said cam, and devices carried by said arm for adjusting the tension of the spring. 15th. A speed indicator comprising a centrifugally operated weight provided with a compensating cam, a spring bearing against said cam, and means carried by said weight for adjusting the tension of the spring. 16th. A speed indicator comprising a rotatory arbour, a centrifugally operated weighted arm, carried by said arbour and having its outer edge curved to form a compensating cam, and a spring bearing against the said outer edge. 17th. A speed indicator comprising a rotatory arbour, a centrifugally operated weighted arm carried by said arbour and having its outer edge curved to form a compensating cam, a pivot for said arm, a spring bearing against the compensating cam, and means for adjusting the tension of the spring. 18th. A speed indicator comprising a rotatory arbour, a centrifugally operated arm having a weight at or near one end and a pivot near the other end thereof, said arm having its outer edge between the weight and the pivot convexly curved to form a compensating cam, and a leaf spring bearing against said compensating cam. 19th. A speed indicator comprising a rotatory arbour, a centrifugally operated arm having a weight at or near one end and a pivot near the other end thereof, said arm having its outer edge between the weight and the pivot convexly curved to form a compensating cam, a spring bearing against the said cam and projecting beyond the pivot and a screw connecting the said projecting end of the spring with the end of the arm. 20th. A speed indicator comprising a rotatory arbour, a centrifugally operated arm having a weight at or near one end and a pivot near the other end thereof, said arm having its outer edge between the weight and the pivot reduced or cut-away, a spring bearing against the said cam edge, and having an end projecting beyond the said pivot, and an adjustable screw connecting the projecting end of the spring with the reduced end of the arm.

No. 61,583. Petroleum Burner. (*Brûleur à pétrole.*)

David Ogilvy, Montreal, Quebec, Canada, assignee of Charles Clifford Bruckner, Brooklyn, New York, U.S.A., 3rd November, 1898; 6 years. (Filed 9th December, 1897.)

Claim.—1st The combination in an incandescent lamp with a support for the mantle and a hollow base for the burner, of a mixing chamber immediately adjacent to the hollow base, an air inlet flue and opening to the mixing chamber, a generating chamber above the mixing chamber, a small supply pipe permanently connected near the lower end of the generating chamber, a valve seat at the lower end of such generating chamber and a tapering needle valve

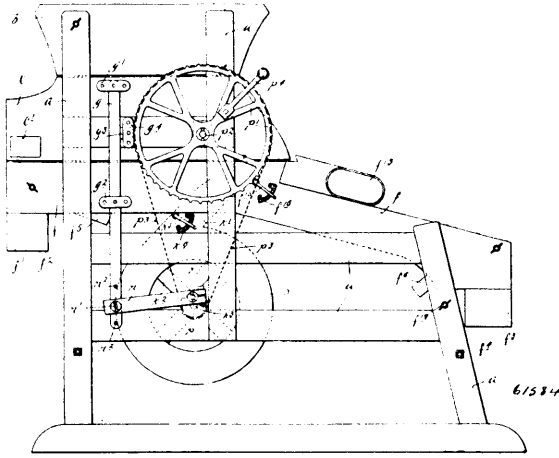
passing through the valve seat, and mechanism for moving the valve from below so as to close the generating chamber tightly or to allow



the downward escape of the hydrocarbon vapours in the proper proportion into the mixing chamber, substantially as set forth. 2nd. The combination in an incandescent lamp with the mantle and its support and the hollow base, of a mixing chamber, a generating chamber above the mixing chamber and having a vertical partition, a supply pipe to one end of the generating chamber, a valve seat opening into the mixing chamber and a tapering needle therefor passing through such mixing chamber into the valve seat, and means for moving such needle valve and regulating the escape of hydrocarbon vapours into the mixing chamber, substantially as set forth. 3rd. The combination in an incandescent lamp with the mantle and its support and the hollow base, of a mixing chamber, a generating chamber above the mixing chamber and having a vertical partition, a supply pipe to one end of the generating chamber, a valve seat opening into the mixing chamber and a tapering needle therefor passing through such mixing chamber into the valve seat, and means for moving such needle valve and regulating the escape of hydrocarbon vapours into the mixing chamber, an air inlet flue passing up at one side of the mixing chamber and opening into the upper part of the same, substantially as specified. 4th. The combination in an incandescent lamp with the mantle and its support, and the hollow base, of a mixing chamber, a generating chamber above the mixing chamber and having a vertical partition, a supply pipe to one end of the generating chamber, a valve seat opening into the mixing chamber and a tapering needle valve passing through such mixing chamber into the valve seat, and means for moving such needle valve and regulating the escape of hydrocarbon vapours into the mixing chamber, an air inlet flue passing up at one side of the mixing chamber and opening into the upper part of the same, a slide for regulating the admission of air into the mixing chamber, substantially as set forth. 5th. The combination in an incandescent lamp with the mantle and its support and the hollow base, of a mixing chamber, a generating chamber above the mixing chamber and having a vertical partition, a supply pipe to one end of the generating chamber, a valve seat opening into the mixing chamber, and a tapering needle valve passing through such mixing chamber into the valve seat, and means for moving such needle valve and regulating the escape of hydrocarbon vapours into the mixing chamber, a cup around the lower end of the generating chamber and on the top of the mixing chamber for receiving the combustible fluid to heat the generating chamber in starting the lamp, substantially as set forth. 6th. The combination in an incandescent lamp with the mantle and its support and the hollow base, of a mixing chamber, a generating chamber above the mixing chamber and having a vertical partition, a supply pipe to one end of the generating chamber, a valve seat opening into the mixing chamber and a tapering needle valve passing through such mixing chamber into the valve seat, and means for moving such needle valve and regulating the escape of hydrocarbon vapours into the mixing chamber, a hollow support for the mixing chamber and openings for any liquid passing into the mixing chamber and a valve at the bottom of the hollow support for allowing such liquid to be drawn off, substantially as set forth. 7th. The combination with the two mantles and their hollow bases and mixing chamber, of a generating chamber between the mantles and opening at the lower end directly into the mixing chamber, substantially as set forth. 8th. In a lamp, the combination of a generating chamber located above the mixing chamber and having a valve controlled opening, a valve for control

ling said opening, a device for operating said valve, and means for limiting the movement of said device, for the purpose set forth. 9th. In a lamp, the combination of a chamber D having a valve controlled opening 3, a valve 4 for controlling said opening, a rotary device for operating said valve, a stop 30 upon a stationary part of the lamp and a projection 31 upon the rotatory device, substantially as and for the purpose set forth.

No. 61,584. Grain Separator. (Séparateur à grain.)

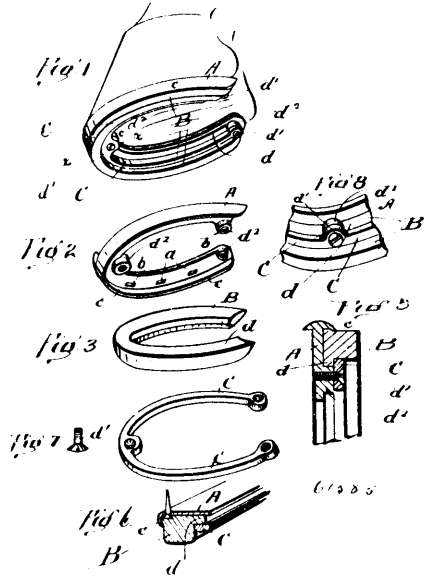


Charles E. Bird, Minneapolis, Minnesota, and Julius Roshoit, Mayville, North Dakota, both in the U.S.A., 3rd November, 1898; 6 years. (Filed 7th October, 1898.)

Claim.—1st. In a grain separator, the combination with separating sieves spaced apart in the direction of the grain's travel, an intermediate screen of very fine mesh, and a fan arranged to direct a blast through said intermediate screen and the material passed thereover, substantially as described. 2nd. In a grain separator, the combination with vibrating separating sieves, of an intermediate fine meshed sieve, a fan arranged to direct a blast through said intermediate sieve, a discharge spout or tube, and deflectors for directing the blast into said discharge tube, substantially as described. 3rd. In a grain separator, the combination with separating screens and a fine meshed screen intermediate thereof, of a fan arranged to direct a blast through said intermediate sieve, a discharge spout or tube, the adjustable segmental deflector or throat piece f^{14} and co-operating deflectors directing the blast into said discharge spout or tube, substantially as described. 4th. The combination with the vibrating sieves and vibrating intermediate sieve 6, of the fan arranged to direct a blast through said sieves 6, the discharge spout f^{13} , deflectors directing the blast into said spout f^{12} , and the adjustable deflectors or gates $f^{14} k^1$ controlling the blast, substantially as described. 5th. The combination with a hopper with a feed passage in its bottom, of a vibrating shoe provided with separating sieves and with the cut-off or deflector c^2 vibrating below said hopper and passing through the stream of discharged grain, substantially as described. 6th. In a grain separator, the combination with a vibrating primary shoe with separating sieves, of a secondary vibrating shoe provided with two independent lines of sieves arranged to receive the separations from the primary sieves and to continue the separation on two different or independent lines of separation, substantially as described. 7th. In a grain separator, the combination with a fixed feed hopper, of a primary and a secondary shoe, each of which shoes is provided with separating sieves, and connections for vibrating the said shoes in reverse order, substantially as described. 8th. In a grain separator, the combination with a vibrating shoe provided with separating sieves, of a support for one end of the sieve shoe having means for adjusting it to vary the rise and fall of that end of the shoe, substantially as described. 9th. In a grain separator, the combination with a vibrating shoe provided with separating sieves and provided with anti-friction rollers at one end, of the pivotally adjustable support f^{18} , on the upper face of which said rollers work, substantially as described. 10th. The combination with a vibrating shoe provided with separating sieves, of one or more supporting levers or arms for the same, pivoted thereto and having its fixed fulcrum located out of vertical line with said connection to the shoe, whereby said shoe will be moved vertically when vibrated, substantially as described. 11th. In a grain separator, the combination with the vibrating shoes c and f provided with separating sieves, of the supporting lever or arms g pivoted to said shoes and provided with the off-set fulcrum extension g^3 , said parts operating substantially as described. 12th. A feed hopper provided with the adjustable bottom section, in combination with the pair of adjusting levers b^5 pivoted at b^4 and engageable with the relatively fixed block b^5 , said parts operating, substantially as described. 13th. In a grain separator, the combination with a vibrating shoe, of sieve sections of approximately the same mesh, staggered in different planes, substantially as and for the

purposes set forth. 14th. In a grain separator, the combination with a vibrating shoe, of separating sieves 9 and 10 of approximately the same mesh, staggered in different planes, and a flexible imperforate flap or sheet c^{15} , overlying said sieve 10 and constituting an imperforate extension of said sieve 9, substantially as and for the purposes set forth. 15th. In a grain separator, the combination with a grain feeding device, and a fan through the blast of which the grain is passed, of a primary sieve between said fan and said feed device, and one or more sieves beyond said fan, whereby the coarse chaff is carried off from the stock before it reaches the blast of said fan, substantially as described. 16th. In a grain separator, a device for separating tadpoles or similar material from the grain, consisting of a pair of approximately parallel sieves located a distance apart less than the approximate length of tadpoles, whereby said tadpoles will be delivered endwise to the under and finer mesh sieve, substantially as described.

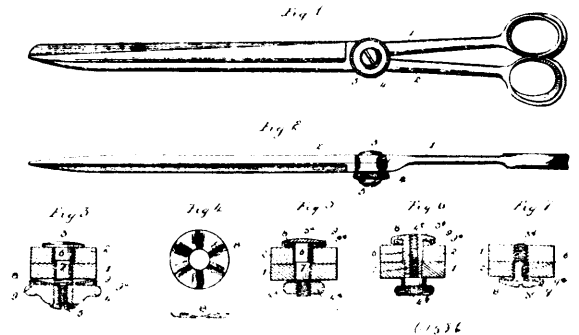
No. 61,585. Horse Shoe. (Fer à cheval.)



Charles E. Burroughs, Joseph A. Reed and Alfred M. True, all of Canton, Ohio, U.S.A., 3rd November, 1898; 6 years. (Filed 13th September, 1898.)

Claim.—1st. The combination of the metal portion A, provided with the nail apertures a located through said metal portion near its outer edge, and the screw-threaded apertures b located at the toe and heels respectively, and the downwardly-projecting curved flange c , the elastic tread B provided with the flange d located upon the under side of the body A and against the curved flange c , the binding bar C located upon the under side of the flange d and against the downwardly-projecting portion of said tread, and the retaining screws d^1 extended through the bar C and into the bosses d^2 substantially as described. 2nd. The combination of the metal portion A, provided with the nail apertures a located through said metal portion near its outer edge, and the screw-threaded apertures located at the toe and heels respectively, and the downwardly-projecting clamping flange c , the elastic tread B provided with the flange c , the binding-bar C located upon the under side of the flange d , and the retaining-screws d^1 , substantially as and for the purpose specified.

No. 61,586. Scissors. (Ciseaux.)

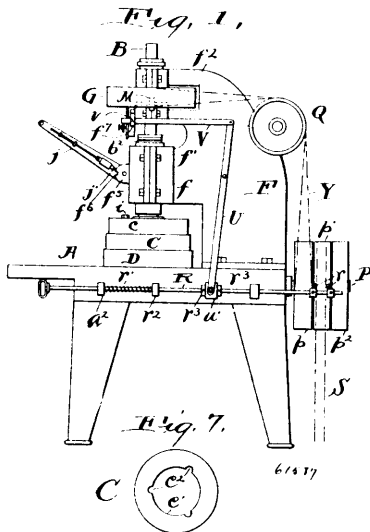


John C. Ford, Macon, Missouri, U.S.A., 3rd November, 1898; 6 years. (Filed 20th July, 1898.)

Claim.—1st. In a shears or scissors, the combination with the blades, of a pindle and nut formed of two or more parts, which are relatively adjustable for the purpose of regulating the pressure between the blades, and a corrugated spring located between said relatively adjustable parts, one of said parts being chambered for centering the spring and preventing its displacement laterally, substantially as and for the purposes set forth. 2nd. In combination with the blades of shears or scissors, the pindle and nut for holding the blades together, and a corrugated annular spring surrounding the pindle and located between one of the blades and one part of the securing means, the latter being provided with a chamber in which the spring is located and by which it is prevented from lateral displacement, substantially as and for the purposes set forth. 3rd. In combination with the blades of shears or scissors, a pindle provided with a head, a chambered nut secured upon said pindle, and adjustable thereon, and a corrugated annular spring or washer located between the nut and the adjacent blade, substantially as and for the purposes set forth. 4th. In combination with shears or scissors, a pindle for securing the same together, a chambered nut threaded upon said pindle, a corrugated spring or washer located in the chamber of said nut, and a jam screw in the end of the pindle, substantially as and for the purposes set forth. 5th. In a shears or scissors, a pindle provided with a head engaging one of the blades and with a cylindrical portion upon which said blade may turn, a squared portion also on said pindle upon which the other is fitted, a securing nut threaded upon the end of the pindle, and a corrugated spring introduced between one of the engaging parts and the adjacent blade, said part being provided with a chamber to receive the spring, substantially as and for the purposes set forth. 6th. An adjustable tension regulating device, consisting of a nut or pindle and having a recess or chamber 9, formed therein, a corrugated spring washer fitting said recess, the chamber forming the flanges 9^a, preventing lateral displacement or reaction of said spring washer, substantially as and for the purposes set forth.

No. 61,587. Ball Grinding Machine.

(Machine à polir les boules.)



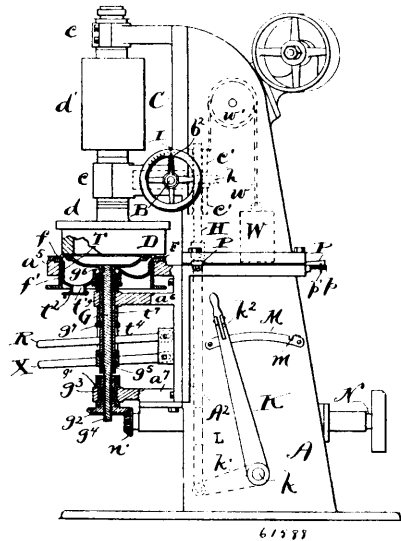
Rollin Henry White, Cleveland, Ohio, U.S.A., 3rd November, 1898; 6 years. (Filed 15th August, 1898.)

Claim.—1st. In a machine for grinding ball, the combination of a grinder rotatable upon a vertical axis, with a block below the grinder having in its top a recess adapted to contain a mixture of oil and emery, or like substance, and having in the bottom of said recess an endless ball groove, which, when the parts are in operative relation, is not a circle concentric with the axis of the grinder, substantially as and for the purpose specified. 2nd. In a machine for grinding balls the combination of a rotatable grinder, and a bed plate, with a block adapted to slide upon said bed plate, and having in its top a recess adapted to contain a mixture of oil and emery, or like substance, and having in the bottom of said recess an endless ball groove which, when the parts are in operative relation, is not a circle concentric with the axis of the grinder, and means for moving the grinder vertically to permit the withdrawal of the block from and its replacement beneath the grinder, substantially as and for the purpose specified. 3rd. In a machine for grinding balls, the combination of a bed plate and a block movable upon said bed plate, having in its top a recess adapted to contain a mixture of said oil and emery, or like substance, and having in the bottom of said recess an endless sinuous ball groove, with a rotary grinder adapted to engage with the balls in said sinuous groove, substantially as and for the purpose specified. 4th. In a ball grinding machine, the combination of a grinder rotatable upon a vertical axis, a rotatable arm adapted by its position to indicate when the grinder has rotated the proper

number of times, with mechanism for driving said grinder and arm simultaneously but at different speeds, the movement of the arm being the slower, substantially as and for the purpose specified. 5th. In a ball grinding machine, the combination of a rotatable grinder, mechanism for transmitting motion from the source of power to said grinder, with a rotatable arm and mechanism whereby it is turned simultaneously with the grinder but at much slower speed, and means whereby this arm will cause some part of the power-transmitting mechanism to be disconnected when the grinder has made the desired number of revolutions, substantially as and for the purpose specified. 6th. In a ball grinding machine, the combination of a rotatable grinder, its operating mechanism, a rotatable arm and mechanism for operating the same simultaneously with the grinder but a slower speed, with a spring actuated belt slipper, and a latching device which holds the belt slipper in proper position to cause the belt to drive the machine, said latching device being in the path of said arm, whereby it is released by said arm, substantially as and for the purpose specified. 7th. In a ball grinding machine, the combination of an endwise movable grinder shaft, a sleeve which turns the shaft but has no endwise movement, a worm on said sleeve, a pivoted disc and mechanism driven by said worm for turning said disc, with an arm mounted on the same axis with said disc, means for adjustably connecting said disc and arm, and belt shifting mechanism adapted to be set in operation by said arm, substantially as and for the purpose specified. 8th. In a ball grinding machine, the combination of a rotatable grinder, a worm which rotates simultaneously therewith, a rotating disc, mechanism intermediate of said worm and disc whereby the latter is driven at comparatively slow speed, an arm pivoted upon the same axis as the disc, and means for adjustably securing said arm to said disc, with an adjustable pointer pivoted upon the same axis with the disc, means for fixing the pointer in different positions relative to said disc and a device adapted to be moved by said arm, substantially as and for the purpose specified.

No. 61,588. Machine for Grinding Balls.

(Machine à polir les boules.)



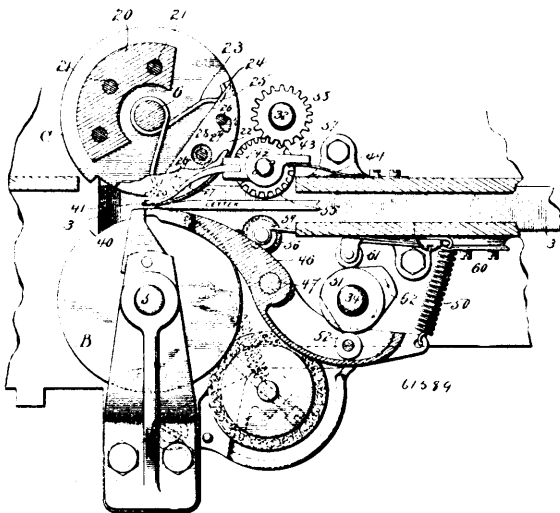
Rollin Henry White, Cleveland, Ohio, U.S.A., 3rd November, 1898; 6 years. (Filed 15th August, 1898.)

Claim.—1st. In a ball grinding machine, in combination, a non-rotating circular raceway open at its inner periphery, a rotating revolver in the form of an inverted frustum of a cone, which is inside of and concentric with the said raceway, the periphery of said revolver being adapted to bear upon the balls in the raceway, whereby it moves the balls around said raceway, and prevents their escape therefrom, an eccentric rotary grinder, and mechanism for moving said grinder and revolver upward relative to the raceway, substantially as specified. 2nd. In a ball grinding machine, in combination, a raceway open at its inner periphery, a revolver inside of and concentric with said raceway, which revolver is in the form of an inverted frustum of a cone, and is adapted to bear upon the balls in the raceway to hold and move them therein, a hollow cylinder concentric with and inside of said raceway, but normally below the same, an eccentric rotary grinder adapted to bear upon the balls in the raceway, mechanism for moving the grinder, revolver and hollow cylinder upward relative to the raceway, for the purpose of first releasing the balls from the raceway, and allowing them to fall in said hollow cylinder, and then to cause said hollow cylinder to temporarily close the inner periphery of the raceway, whereby said raceway may be loaded with balls, substantially as specified. 3rd.

In a ball grinding machine, the combination, of an endless ball raceway and a rotating grinder for grinding the balls therein, said raceway and grinder being capable of relative vertical movement toward and from each other, with a loader having a groove of the same size and shape as the ball raceway and adapted to contain balls to be ground, and means for releasing said balls through the bottom of said groove, substantially as specified. 4th. In a ball grinding machine, in combination, a circular raceway, a vertically movable revolver, a vertically movable cylinder inside the raceway and below it and the revolver, a loader consisting of an outer ring and an inner vertically movable plate, means for holding the loader over the ball raceway, and mechanism for raising the said cylinder, revolver and inner loader plate, substantially as specified. 5th. In a ball grinding machine, in combination, a circular raceway, a vertically movable revolver, a vertically movable cylinder inside the raceway and below it and the revolver, a loader consisting of an outer ring and an inner vertically movable plate, a pivoted arm carrying the loader, and adapted to be swung to bring the loader over the raceway, and mechanism for raising said cylinder, revolver and inner loader plate, substantially as specified. 6th. In a ball grinding machine, in combination, a circular ball raceway, a rotary grinder eccentric thereto, a vertically movable slide which supports the grinder shaft, a vertically movable threaded rod, and means for moving and supporting the same, and an adjusting nut which connects said rod and slide, substantially as specified. 7th. In a ball grinding machine, in combination, a circular ball raceway, a rotary grinder eccentric thereto, a vertically movable slide which supports the grinder shaft, a vertically movable threaded rod and means for moving the same, and an adjusting nut which connects said rod and slide, an operating lever, mechanism connecting the same with said threaded rod, a fixed support for the lower end of said rod, an adjustable worm nut which connects said threaded rod and slide, and a worm shaft mounted on the side for turning said nut, substantially as specified. 8th. In a ball grinding machine, in combination, a base which supports the ball raceway, an upper frame member which supports the grinder and is bolted to the base, three adjusting wedges interposed between the base and upper frame member, and means for operating said wedges, substantially as specified.

No. 61,589. Mail Marking Machine.

(Machine à marquer la maille.)

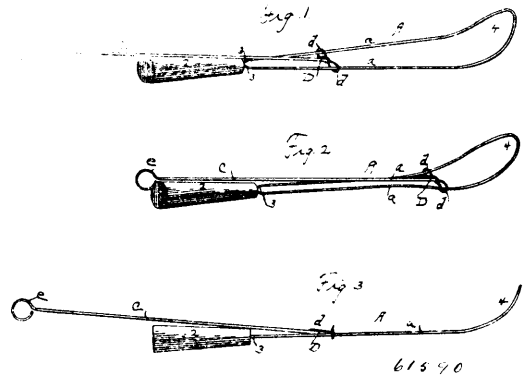


Charles Partridge Oudin, New York City, U.S.A., 3rd November, 1898; 6 years. (Filed 30th December, 1897.)

Claim.—1st. In a mail marking machine, the combination with a printing cylinder, of an impression cylinder the impression surface of which is composed of spring cushioned segment. 2nd. In a mail marking machine, the combination with a printing cylinder, of an impression cylinder the impression surface of which is composed of a series of yielding spring cushioned segments. 3rd. In a mail marking machine, the combination with a printing cylinder, of an impression cylinder, the impression surface of which is composed of a series of superimposed slotted segments, springs bearing at their free ends against the ends of the segments and the slots in the segments being such that the segments may rock or slide during the rotation of the impression cylinder. 4th. In a mail marking machine, an impression cylinder, comprising two discs, an interposed spacing block, and a series of sliding and rocking spring-actuated superimposed segments. 5th. In a mail marking machine, the combination with printing and impression cylinders, one of which is mounted on a sliding block, the impression cylinder having its impression surface made up of independent spring-actuated segments, of means for creating a variable pressure between the two cylinders. 6th. In a mail marking machine, the combination with printing and impression cylinders, and a rigid stop, of a bifurcated spring-actuated

lever for clearing the card or envelope from the stop at the proper time, a yielding deflector, and a pair of yielding rollers for imparting the final thrust to the card or envelope, one of these rollers mounted on a spring arm and a shaft having cams thereon for operating the lever and spring arm. 7th. In a mail marking machine, the combination with printing and impression cylinders, a stop, a spring-actuated deflector and lever for removing a card or letter from the stop, of a pair of feed rollers faced with yielding material, a spring arm supporting one of these rollers, and means for forcing it yieldingly toward the other roller. 8th. In a mail marking machine, an automatic feed comprising yielding fingers, and an endless belt, which carries forward as it passes, any letters or cards held by said fingers. 9th. In a mail marking machine, an automatic feed comprising yielding fingers, one in advance of the next adjacent finger, and an endless belt, which carries forward as it passes, any letters or cards held by said fingers. 10th. In a mail marking machine, an automatic feed comprising yielding fingers, an endless belt, and an arm which alternately exposes and shields or covers the belt whereby to alternately feed and stop the progressive movement of the cards and envelopes. 11th. In a mail marking machine, the combination with a pivoted arm, of an endless belt passing through and around a portion of the arm, and means for shifting said arm. 12th. In a mail marking machine, combination with a pivoted arm, of a cam for swinging the arm in one direction, a spring for swinging it in the other direction, an endless belt passed around and through a portion of the arm, and means for keeping the belt taut. 13th. The combination with rotary printing and impression cylinders, a feed roller, and a sliding bracket carrying one of the cylinders, of means for automatically applying a variable pressure to the bracket and through it to the cylinder carried thereby. 14th. The combination with a printing cylinder having a transverse post therein, of a cancellation die having a bayonet or L-shaped slot formed therein and adapted to receive this post, and a slide constructed and adapted to lock the die in this post. 15th. The combination with a printing cylinder having a post therein, of a cancellation die having an L-shaped slot opening into the inner face and adapted to receive and let the post into its innermost end whereby the die is held in place, and a spring actuated slide having sliding connection with the cylinder in rear of the cancellation die and adapted to normally extend over the end of the latter whereby to lock it in place on the cylinder.

No. 61,590. Obstetric Device. (Appareil obstétrique.)



John Ira Sare, Narka, Kansas, U.S.A., 3rd November, 1898; 6 years. (Filed 13th September, 1898.)

Claim.—As an improved article of manufacture, the spoon-shaped wire-frame A, formed with the converging longitudinal sides *a, a*, the parallel ends 33 which are secured in the smaller end of the longitudinal conical handle 2, in combination with a wire slide C adapted to draw the parts *a, a* toward each other, the free end thereof formed with an integral eye *e* and at its opposite end with a transverse cross-head comprising the guide eyes *d, d*, encompassing the converging arms *a, a* of the frame A, and having the free end of the wire after the cross-head is formed, turned backward parallel with and secured to the shank, substantially as shown and described.

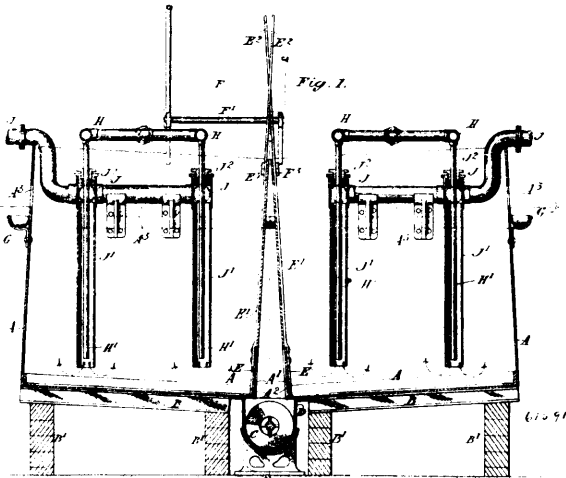
No. 61,591. Method of Extracting Oil.

(Méthode d'extraire l'huile.)

John Charles William Stanley, London, England, 3rd November, 1898; 6 years. (Filed 17th May, 1898.)

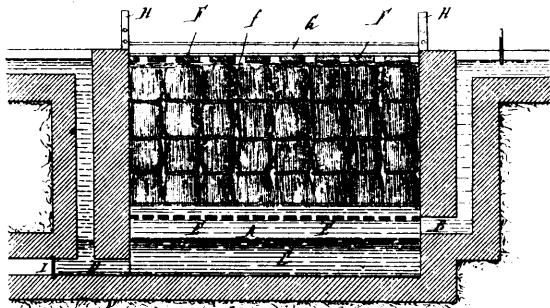
Claim.—1st. The extraction of oil from material in which it is contained by sending an upward current of hot fluid through such material to carry the oil out on to the upper surface of the mass, and withdrawing it without returning it through the material from which it was expelled. 2nd. The extraction of oil from material in which it is contained by delivering hot fluid into such material through pipes or nozzles, the openings of which are directed downward, for the purpose described. 3rd. The extraction of oil from material in which it is contained by delivering steam and water into it through the pipes or nozzles so disposed as to mingle them before

they issue into the material treated. 4th. Apparatus for the extraction of oil from material in which it is contained, comprising a tank



A having outlets for the expelled oil at the working level X, X, pipes or nozzles delivering hot fluid into the tanks at a lower level, and doors or valves E at or near the bottom of the tank, arranged and operating, substantially as and for the purpose described. 5th. In apparatus of the kind described, the combination with a single conveyor C, of two or more tanks A, which are discharged alternately. 6th. In apparatus of the kind described, the combination of a conveyor C and one or more tanks A, with openings A', under the control of slidable doors E, for regulating in the manner described, the discharges of the contents of the tanks into the conveyor. 7th. In apparatus of the kind described, the combination with concentric steam and water-pipes J', H', of a stuffing box J' or other removable closure permitting the use of a clearing-rod, for the purpose described. 8th. The combination of tanks A, with openings A' and oil-exit holes A' and suitably supported in a canted position, the conveyor C placed in a central trough D, the sliding door E moving in guides A' and operated by rods E' provided with fingers E', designed to engage with the bar F', the guttering G, the steam-pipes H, with downwardly extending branches H', which pass through stuffing-boxes J', and the water-pipes J, substantially as specified.

No. 61,592. Process of Steeping Flax or Hemp.
(Procédé pour le rouissage du chanvre ou lin.)



Georges Loppens and Honoré Deswarte, Nieuport, Belgium, 3rd November, 1898; 6 years. (Filed 16th December, 1896.)

Claim.—The herein described process of retting flax which consists in covering a mass of vertically-arranged flax-staw with water, constantly delivering fresh water beneath the mass, and constantly withdrawing the same quantity of impure water from below the fresh water, substantially as specified.

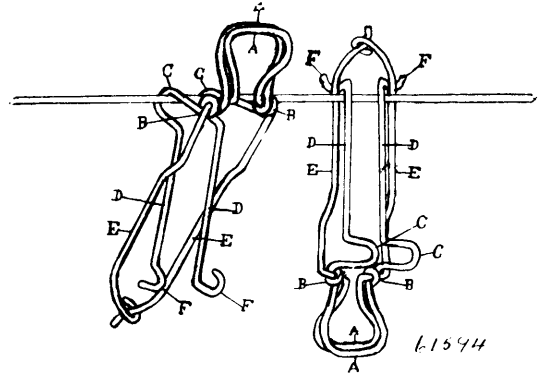
No. 61,593. Process of Making Matches.
(Procédé pour la fabrication des allumettes.)

Juan Craveri, Buenos Ayres, Argentine Republic, 3rd November, 1898; 6 years. (Filed 25th August, 1897.)

Claim.—1st. The herein described composition for making a paste for matches, which consists of the compounds of sulphocyanogen or of its isomeric and polymeric mixed with a combustible and an oxygen yielding compound, as hereinbefore described and specified. 2nd. The herein described composition for making a paste for matches, which consists of the compounds of sulphocyanogen or of its isomeric and polymeric, mixed with a combustible, and an

oxygen yielding compound, and aromatic nitro-derivatives and xantic acid compounds, as hereinbefore described and specified. 3rd. The herein described composition of matter for making a paste for matches, consisting of two parts of acid persulpho-cyanic, 4 parts of cyanogen persulphide, 2 parts of nitro-naphthalene, 1 part of xanthate of potassium, 1 part of charcoal, 20 parts of chlorate of potassium, 50 parts of peroxide of lead, 10 parts of trisulphide of antimony, and 10 parts of gelatine, or fine glue, mixed and dried in the manner indicated and for the purposes specified.

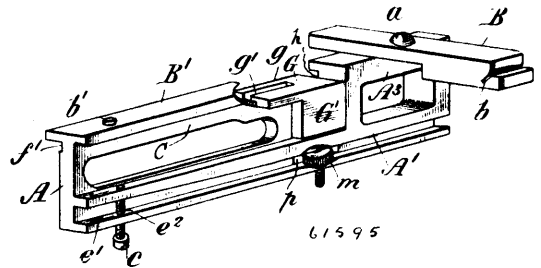
No. 61,594. Clothes Pin. (*Épingle à linge.*)



Onesime Isate Bergeron, St. Grégoire, Nicolet, Québec, Canada, 3 novembre, 1898; 6 ans. (Déposé 5 aout, 1898.)

Résumé.—Une épingle à linge faite de broche métallique et plié de manière à former les machaires AA, les charnières BB, les crochets CC, les leviers DD, et EE, et les crochets FF, tel que ci-dessus décrit et indiqué.

No. 61,595. Saw Tool. (*Outil pour reparer les scies.*)

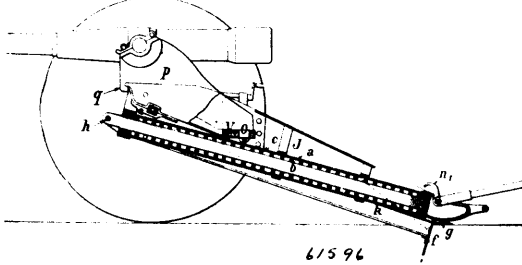


Richard Bennett, Raquette Lake, New York, U.S.A., 3rd November, 1898; 6 years. (Filed 26th October, 1898.)

Claim.—1st. As an article of manufacture, a saw-tool for side-dressing, comprising a suitable stock having one side or face thereof provided with an even bearing-surface, and with a recess in said face longitudinally graduated in depth, and a file adjustable in said recess and correspondingly tapered so as to have its outer face always parallel with the said bearing-surface of the stock, and means for holding the file in place, substantially as set forth. 2nd. As an article of manufacture, a saw-tool adapted for the use in cutting down the raker-teeth of a saw, comprising a suitable stock, and an adjustable gauge supported by the stock, and having a slot open at one end to receive a raker-tooth to be cut down, substantially as set forth. 3rd. As an article of manufacture, a saw-tool adapted for use in setting the cutting-teeth and cutting down the raker-teeth of a saw, comprising a suitable stock provided with a flange along one edge and having a recess therein, an adjustable raker-tooth gauge working in said recess, a setting member movably secured to the flanged edge of the stock and having one of its ends provided with a setting-slot and normally resting in said recess above the said gauge, the face of said flanged edge serving as an even bearing-surface for the side of the saw when the setting member is in use, and the lower side of said flange serving as an even bearing-surface for the points of the teeth when the gauge is in use, substantially as set forth. 4th. As an article of manufacture, a saw-tool comprising a stock or body portion having the even faces A', A'', the face A', being provided with a recess or depression longitudinally graduated in depth, in which a tapering file may be adjustably seated for side-dressing saw teeth and means for adjustably securing the file in said recess, said face having an independent and narrow recess E, within which the file may be held in position edgewise and sprung or bent for convenient use in joining saw-teeth, a raker-tooth gauge vertically adjustable in the recess in the stock, the flange B', and the setting member B, combined and related, substantially as set forth. 5th. As an article of manufacture, a saw-tool comprising a stock having the flat even sides A', A'', and flange B', extending from the flat even upper edge of the stock, the face A', having the recess C and

E, constructed as described, the tapering file, the recess *h*, gauge *g*, having the open slot *g*¹, and setting member B, having slot *b*, substantially as set forth. 6th. The herein described combination tool, the same comprising a stock or body portion having one of its faces provided with a tapering or graduated recess or depression C, within which a file may be adjustably seated, a set-screw for adjusting and securing the file in said recess, an independent narrow and tapering recess E, within which the file is adjusted and held in position for convenient use in jointing saw-teeth, a raker-tooth gauge G, vertically adjustable within a recess in the stock as described, means for vertically adjusting the gage block, and the swinging setting member B, pivoted at a point adjacent to one of its ends to the stock, and having its opposite end notched as described and for the purpose specified.

No. 61,596. Gun Carriage. (Affût de canon.)



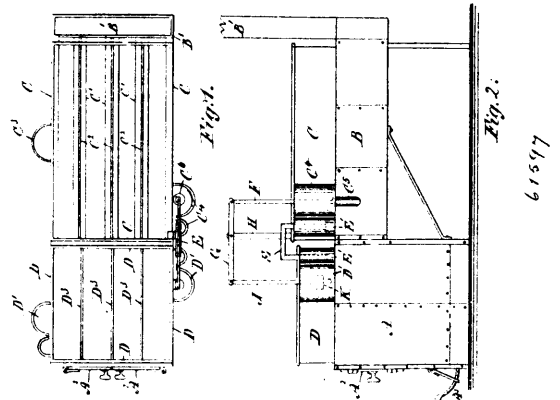
Michel Darmancier and Aimé Dalzon, both of Saint Chamond Loire, France, 3rd November, 1898; 6 years. (Filed 21st September, 1897.)

Claim.—1st. In a gun carriage, a recoil arm pivotally connected with the front of the gun carriage, in combination with a device for the storage and re-delivery of energy, whereby the recoil arm is compressed during the recoil, and will resume its normal condition under the counteracting impulse of the energy storing device, substantially as specified. 2nd. In a gun carriage, a recoil arm provided with an anchor or fluke and pivotally connected with the front of the gun carriage, in combination with a device for the storage and re-delivery of energy, and an hydraulic brake, substantially as specified. 3rd. In a gun carriage, a recoil arm provided with an anchor or fluke, and an extension added to such anchor or fluke and pivotally connected with the front of the gun carriage, in combination with a device for the storage and re-delivery of energy, and an hydraulic brake, substantially as specified. 4th. In a gun carriage, a rigid recoil arm provided with an anchor or fluke, in combination with an energy-storing device connecting it to the front part of the gun carriage, and an hydraulic brake, substantially as specified. 5th. In a gun carriage, a recoil arm provided with an anchor or fluke and pivotally connected with the front of the gun carriage, in combination with chains or rods extending from the rear of the prop to the gun carriage, a device for the storage and re-delivery of energy, and chains, hooks, or bolts connecting the rear of the prop with the carriage trail, substantially as specified. 6th. In a gun carriage, the combination with the main frame of an auxiliary carriage, a vertical pivot in rear, and a circular horizontal shackle concentric with and situated in front of the said pivot, substantially as described and for the purpose specified. 7th. In a gun carriage, a brake comprising the following instrumentalities, friction shoes actuated by means of a screw handle, a set of rods, and a lever to enable the brake shoes to be applied to both wheels with the same effect, substantially as specified. 8th. In a gun carriage, an inclined compressible prop or recoil arm arranged along the gun carriage frame and provided at one end with an anchor or fluke, the said prop being pivotally connected to the front part of the gun carriage, substantially as specified. 9th. In a gun carriage, an inclined compressible prop or recoil arm comprising the following elements:—a suitably packed hydraulic cylinder *a*, terminating in an anchor or fluke *f*, with a shoulder *g* resting in contact with the trail, a solid piston *b* adapted to move within the cylinder *a*, and pivotally connected to the front part of the gun carriage, a tube *d* for strengthening the prop, which tube envelopes the piston and is adapted to slide on the hydraulic cylinder, an uncovered simple or compound metal spring *c*, its bearing points being afforded by the head of the piston rod and the bottom surface of the cylinder carrying the anchor, and the guard tube *e*, substantially as specified. 10th. In a gun carriage, an inclined compressible prop or recoil arm comprising the following elements:—a suitably packed hydraulic cylinder *a* terminating in an anchor or fluke *f* with shoulder *g* resting in contact with the trail, a piston *b* of the hollow rod and plunger type, and the metal spring *c* which is enclosed in said piston *b*, substantially as specified. 11th. In a gun carriage, an inclined compressible prop or recoil arm comprising the following elements:—a suitably packed hydraulic cylinder *a* terminating in an anchor or fluke *f* with shoulders *g* resting in contact with the trail, a solid piston *b*² adapted to move within the cylinder *a* and pivotally connected to the front part of the gun carriage, a tube for strengthening the prop, which tube envelopes the piston and is adapted to slide on the hydraulic cylinder, and a compressed air pad or buffer filling up the spaces *c*¹, *c*² left between the parts, substantially as specified

12th. In a gun carriage, the combination with a hydraulic cylinder *a*, situated near the trail or guard tube *e*, and the strengthening tube *d*² forming a piston within the guard tube, substantially as specified. 13th. In a gun carriage, an inclined compressible recoil arm consisting of a hollow spring compressing rod *b*, forming an hydraulic cylinder with or without channels or grooves for the passage of the fluid, and provided with a tightly fitting or packed plug *d*, an hydraulic piston *b* secured to the rear end of the tube *a* and adapted to move in said rod *b*, and the spring *c* held in operative position by the tubes *a* and *b*, substantially as specified. 14th. In a gun carriage, an anchor or fluke consisting of a sharp edge *f* and a shoulder *g* for limiting the depth to which it can enter the ground, the cutting edge being shaped to correspond to the directions of the percussive force by which it is to be driven into the ground, and terminating below in a projecting point situated in the central vertical plane of the gun carriage, substantially as specified. 15th. In a gun carriage, an anchor or fluke consisting of sharp edge *f*, a shoulder *g*, and an anchor or fluke extension *f*¹ secured against the cutting portion of the anchor or fluke, substantially as and for the purpose specified. 16th. In a gun carriage, chains or telescoping rods in combination with the inclined prop or recoil arm and the gun carriage or gun carriage trail, substantially as described and for the purpose specified. 17th. In a gun carriage, the combination of the inclined prop or recoil arm, the gun carriage trail, chains adapted to connect the rear end of the prop or recoil arm to the gun carriage, and a pointing lever for actuating the means of engagement, substantially as specified. 18th. In a gun carriage and in combination therewith, a secondary auxiliary carriage *p*, interposed between the gun barrel and the main carriage, provided in the rear with a vertical pin or pivot O, projecting from the cross-tie V, of the gun carriage, situated front, a claw *q*, resting on the horizontal flange *r*, of the gun carriage in the vicinity of the centre of gravity of the combined gun and carriage and preferably somewhat in the rear of that point, and in cross piece *u*, the said flange *r*, being concentric with the said pivot O, and engaging with the claw *q*, in such a manner that the front part of the auxiliary carriage may be angularly displaced a few degrees on its pivot O, substantially as specified. 19th. In a gun carriage and in combination therewith, a secondary or auxiliary carriage *p*, interposed between the gun barrel and the main carriage, and a mechanism for connecting and re-adjusting the lateral pointing of the gun, which mechanism consists of a screw threaded cross spindle *t*, supported by the front part of the frame *J*, and controlled by a handle *s*, situated substantially as described. 20th. In a gun carriage a differential brake with brake shoes and a crank comprising two brake shoe carriers *A*¹, *A*², hinged to the gun carriage frame and controlled by the rods *B*¹, *B*², which are operated by the cranks *D*¹, *D*², mounted respectively on two shafts *C*¹, *C*², one of which shafts forms an extensions of the other, and both being held by the supports LL, and separated by a crank lever F, or its equivalent each of the said shafts *C*¹, *C*², carrying in addition to this, a crank *R*¹, *R*², respectively, connected together with a little play, by means of the piece E, which engages both with the two cranks *R*¹, *R*², and with one arm of the bell crank lever F, the other arm of which is connected by the spindle to the rod H, situated equidistantly between the two cranks *R*¹, *R*², and carrying the nut I, controlled by the crank J, in such a manner that the slight rotary movement of the crank operating nut I, J, by setting the crank shaft, and consequently the two crank supporting spindles, in rotary motion, enables the brake shoes to be applied to the wheels or alternatively to the cheeks of the gun carriage, whatever the respective diameters of the wheels may be, substantially as specified. 21st. In a gun carriage, in combination with the axle, of an axle covering metal sheet or plate rendered rigid in the vertical direction by the curved outline of one of its edges, substantially as described and for the purpose specified.

No. 61,597. Sap Evaporator.

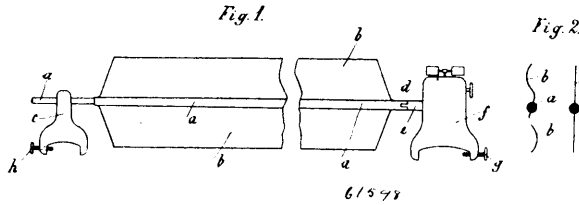
(Appareil évaporatoire pour la sève.)



Morton L. Dunham, Toledo, Ontario, Canada, 3rd November, 1898; 6 years. (Filed 31st August, 1898.)

Claim.—1st. The combination of the fire chamber A, trough B, and smoke stack B', the removable sap pan C, having a series of smoke tubes C', connecting said chamber and stack and sitting within the trough, and the reversible syrup pan D, seated on top of the fire arch or chamber, said pans having divisional portions C² and D², respectively, as set forth. 2nd. The combination of the fire chamber A, trough B, in rear and smoke stack B', at the end of said trough, the sap pan C, fitting into said trough and having tubes C', connecting said chamber and stack, the syrup pan D, on top of said chamber, said pans having pockets C¹, and D¹, respectively, connected by a siphon and an automatic float valve, substantially as set forth.

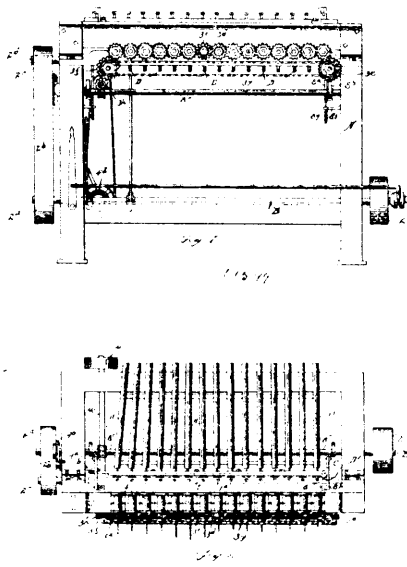
No. 61,598. Piano Vibrator. (*Appareil vibratoire pour pianos.*)



Martius Sieveking, XVIII Gynnasium Strasse, 40 Vienna, Austria, 3rd November, 1898; 6 years. (Filed 26th August, 1898.)

Claim.—A vibrator for pianos, characterized by two flies or wings mounted upon the same axis, the said flies being arranged above the hammers and extending the whole width of the instrument, and being caused to rotate by means of clock-work mechanism, for the purpose of producing a peculiar vibration in the sounds or notes of the instrument.

No. 61,599. Toothpick Making Machine. (*Appareil à faire des cure-dents.*)

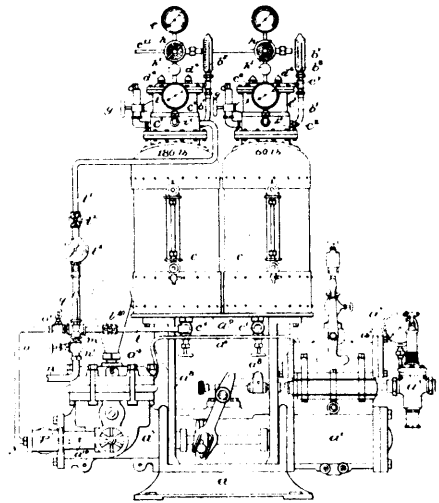


Edward M. Lamb and Emmor Bales, both of Clayton, Michigan, U.S.A., 3rd November, 1898; 6 years. (Filed 22nd August, 1898.)

Claim.—1st. In a machine for making toothpicks, the combination of the rotary feeding head for rotating and feeding the strand through the machine, the rotary cutter in line with said head, means involving a guide for carrying the strand over said cutter in contact therewith, and for intermittently depressing the rotary strand onto the cutter to form the taper on the end of the pick, substantially as described. 2nd. In a machine for making toothpicks, the combination of the rotary head adapted to rotate and feed the strand from which the pick is formed, a rotary cutter located in the path of said strand and rotating in the plane of the longitudinal axis thereof, means for holding said strand in contact with said cutter, and intermittently depressing said strand onto said cutter, substantially as described. 3rd. In a machine for making toothpicks, the combination of the rotary feeding-heads for feeding and rotating the strands, the rotary cutters located in the path of said strands, the presser feet, the cross-head carrying said presser feet, and means for intermittently depressing said cross-head to carry downward said shoes and force the strands downward onto the cutters, substantially as described. 4th. In a machine for making toothpicks, the combination of the feeding-heads for rotating and feeding the

strands longitudinally, the rotary cutters located in the path of said strands, the series of spring-actuated presser foot adapted to receive said strands and hold them in contact with said cutters, the vertically movable cross-head, adjusting screws in said cross-head engaging the stems of the presser foot, and means for depressing said cross-head, substantially as described. 5th. In a machine for making toothpicks, the combination of the rotary feeding-heads adapted to rotate and feed the strands from which the toothpicks are formed, the cutters in line with said heads, a vertically movable cross-head carrying the presser feet across shaft, cams on the ends of said shaft, the arms engaging said cams, and the levers pivoted to said arms and engaging said cross-head, substantially as described. 6th. In a machine for making toothpicks, the combination of a fixed perforated cutter bar, a reciprocating perforated cutter bar, and means for reciprocating the same, substantially as described. 7th. In a machine for manufacturing toothpicks, the combination of a fixed bar provided with a single perforation for each strand of material operated upon by the machine, a reciprocating cutter bar provided with two perforations for each strand operated upon and means for bringing the perforations in the reciprocating bar alternately into register with the perforations in the fixed bar, substantially as described. 8th. In a machine for manufacturing toothpicks in combination with a fixed cutter bar and a reciprocating cutter bar, and as means for driving the reciprocating cutter bar, a mutilated wheel engaging the crank wheel of the cutter bar, substantially as described. 9th. A cutter for severing strands of toothpicks at definite lengths, consisting of a fixed bar having an opening therethrough with shearing faces on each side of said opening, a reciprocating bar having a pair of openings therethrough with shearing faces between the openings, and means for actuating the reciprocating bar, substantially as described.

No. 61,600. Carbonating Apparatus. (*Appareil à carboniser.*)



Edward E. Murphy, Boston, Massachusetts, U.S.A., 3rd November, 1898; 6 years. (Filed 25th July, 1898.)

Claim.—1st. In an apparatus of the character specified, comprising a reservoir or casing having a gas-inlet and a liquid inlet, a chamber arranged in said casing and connected with the liquid inlet by a perforated nozzle whereby gas is drawn into said chamber by the liquid, and means in said chamber between the outlet therefrom and the nozzle for sub-dividing and mechanically combining the gas and liquid. 2nd. An apparatus of the character specified, comprising a reservoir or casing having a gas-inlet, a liquid inlet, a gas and liquid receiving chamber within the casing communicating with the liquid inlet and provided at its upper portion with a gas-inducing liquid supply nozzle, and below said nozzle with means for sub-dividing the gas and liquid, and additional sub-dividing means extending across the casing below the outlet of said chamber. 3rd. An apparatus of the character specified, comprising a reservoir or casing having a gas-inlet, a liquid inlet, a chamber in said casing a tubular neck connected with the liquid inlet, said neck having gas-supply openings, a gas-inducing liquid-supply nozzle in said neck, and means within the chamber for mechanically combining the gas and liquid. 4th. An apparatus of the character specified, comprising a reservoir or casing having a gas-inlet and a liquid inlet in its upper portion and a space for the accumulation of carbonated liquid in its lower portion, means for mechanically combining gas and liquid above said space, a valve-casing connected with the reservoir and having a portion projecting into the reservoir, a main

valve and an auxiliary valve in said casing, and a float within the reservoir arranged to act on the auxiliary valve. 5th. An apparatus of the character specified, comprising a chamber or casing having a liquid inlet, a gas inlet, and an outlet for carbonated liquid, means in said casing for mechanically combining the liquid and gas which enter it, and means comprising an injector nozzle, a carbonated liquid receptacle communicating with said outlet, a liquid conduit connected with the liquid inlet, an automatic check valve operated by an accumulation of carbonated liquid to close said conduit, and a steam pump connected with the conduit and with a source of liquid supply, the action of said pump being stopped by the closing of the automatic check-valve. 6th. An apparatus of the character specified, comprising a chamber or casing having a liquid inlet, a gas inlet, and means for mechanically combining liquid and gas admitted through said inlets, a liquid conduit connected with the liquid inlet and including a casing or enlargement, and a gas conduit connected with the gas inlet, and including a chamber having an automatic gas valve, a portion of said gas conduit passing through the casing. 7th. An apparatus of the character specified, comprising a carbonating chamber, a receptacle for carbonating liquid below the carbonating chamber, and an intermediate air-trap having an automatic blow-off valve. 8th. An apparatus of the character specified, comprising a carbonating chamber, a carbonated liquid receptacle below said chamber, an intermediate air chamber or space communicating with the liquid receptacle, an elongated outlet extending from the carbonating chamber below the upper portion of the air chamber, and an automatic blow-off valve connected with the air chamber. 9th. An apparatus of the character specified, comprising a carbonated liquid receptacle having a dome, a carbonating chamber a portion of which is located above and a portion within said dome, and means for removing air from the dome. 10th. An apparatus of the character specified, comprising a carbonated-liquid receptacle having a dome, a carbonating chamber a portion of which is located above and a portion within said dome, the said carbonating chamber having a guide in its lower portion, a float in the reservoir below the carbonating chamber, a rod or stem on said float extending through said guide, a check valve controlling the entrance of liquid into the carbonating chamber, and connections between the float rod and check valve. 11th. An apparatus of the character specified, comprising a carbonating chamber having a liquid inlet and a gas inlet, a casing within said chamber having provisions for receiving and mixing gas and liquid, a check valve controlling the admission of liquid to said chamber and casing, a lever connected to said valve and forked at one end to partially embrace said casing, a liquid receptacle below the carbonating chamber and provided with a dome that encloses a part of the said chamber, a float in said liquid receptacle, and a rod secured to the float and extending through a guide in the bottom of the carbonating chamber, said rod having a fork at its upper end that partly embraces the casing in the carbonating chamber and is connected with the forked end of the lever. 12th. An apparatus of the character specified, comprising a carbonated liquid receptacle having a dome, a carbonating chamber a portion of which is located above and a portion within said dome, a series of wire discs in the lower portion of the casing, a tube affixed to the bottom of the casing and projecting upwardly through the series of discs, and a disc-clamping device on the upper end of the tube. 13th. In an apparatus of the character specified, a mechanical mixing device comprising a casing having means for the admission of liquid and gas to its upper portion, and discharge orifices at its lower portion and a cup located between the receiving and discharge ends of the casing and having a closed bottom and outlets above said bottom. 14th. An apparatus of the character specified, comprising two or more carbonating chambers and receptacles, a gas supply connected to each of said chambers, means interposed between each chamber and the gas supply for regulating the passage of gas therein, and maintaining sufficient pressures in said chambers and receptacles, means for supplying liquid to both of said chambers, and means for regulating the pressure of the liquid introduced into said chambers, said receptacles having independent outlets, whereby the carbonated liquid may be simultaneously used for different purposes. 15th. An apparatus of the character specified, comprising separate reservoirs, each having means for commingling gas and liquid, a gas supply connected to both reservoirs, means interposed between the gas supply and the reservoirs for introducing gas thereto at different pressures, means controlled by the accumulation of carbonated liquid for supplying liquid to said reservoirs in the proper amount, and means for regulating the pressure of the liquid introduced into said reservoirs, said reservoirs having independent outlets. 16th. An apparatus of the character specified, comprising separate reservoirs, each having means for commingling gas and liquid, a gas supply connected to both reservoirs, means interposed between the gas supply and the reservoirs for introducing gas thereto at different pressures, a pump for supplying liquid to said reservoirs, means for regulating the amount of liquid introduced into said reservoirs, and a regulator controlled by the water pressure for regulating the admission of steam to the pump. 17th. An apparatus of the character specified, comprising a chamber or casing having a liquid inlet, a gas inlet, an outlet for the carbonated liquid, means in said chamber for mechanically combining the liquid and gas which enter it, and including an injector nozzle, a carbonated liquid receptacle communicating with the outlet, a liquid conduit connected with the liquid inlet, an automatic check valve operated by the accumulation of carbonated liquid to close

said conduit, a steam pump connected with said conduit and with a source of liquid supply, and a regulator connected with the liquid conduit and controlling the entrance of steam to the pump, whereby the action of the pump is stopped when the pressure of water increases beyond a predetermined point. 18th. An apparatus of the character specified, comprising a carbonating chamber, a receptacle for carbonated liquid below the carbonating chamber and into which the carbonating chamber partially extends, means in the carbonating chamber for commingling and combining the liquid and gas, and a duct connecting said chamber and said receptacle for equalizing the pressure therein. 19th. An apparatus of the character specified, comprising a carbonating chamber, a receptacle for carbonated liquid below the carbonating chamber partially extends, means in the carbonating chamber for commingling and combining the liquid and gas, and a duct connecting said chamber and said receptacle for equalizing the pressure therein. 20th. An apparatus of the character specified, comprising a carbonating chamber, a receptacle for carbonated liquid below the carbonating chamber, said carbonating chamber having a portion in the form of a tube extending downwardly into the receptacle and containing means for agitating the carbonated liquid, and a tube connecting the chamber and the receptacle for equalizing the pressure therein, said tube projecting above the agitating means in the carbonating chamber. 21st. An apparatus of the character specified, comprising a receptacle for the carbonated liquid, a carbonating chamber separated from the receptacle by a partition, and having one or more injector nozzles connected with a liquid supply inlet, a gas inlet, and two or more tubes projecting down into the receptacle and secured in apertures in the partition, said tubes having means therein for commingling gas and liquid. 22nd. An apparatus of the character specified, comprising a receptacle for the carbonated liquid, a carbonating chamber above the receptacle, a liquid inlet, a gas inlet, casings in said chamber communicating with said inlet, and having means therein for commingling gas and liquid, and tubes each arranged below one of the said casings, and having means for further commingling the gas and liquid. 23rd. An apparatus of the character specified, comprising a reservoir having an inlet, a carbonating chamber communicating therewith, and having a gas and a liquid inlet, means in said chamber for commingling gas and liquid, a liquid duct leading from said outlet, a gas duct leading from the carbonating chamber, and communicating with said liquid duct, and a pipe connected with said ducts, whereby a fountain may be connected with said pipe, and may be properly charged with gas and filled with carbonated liquid. 24th. An apparatus of the character specified, comprising a reservoir having an outlet, a carbonating chamber communicating therewith, and having a gas and a liquid inlet, means in said chamber for commingling gas and liquid, a liquid duct leading from said outlet, a gas duct leading from the carbonating chamber, a coupling between said ducts, valves in said ducts, a pressure gauge communicating with said ducts, between said valves, and a pipe communicating with said coupling, for the purpose set forth. 25th. An apparatus of the character specified, comprising a reservoir having an outlet, a carbonating chamber communicating therewith, and having a gas and a liquid inlet, means in said chamber for commingling gas and liquid, a liquid duct leading from said outlet, a gas duct leading from the carbonating chamber, a coupling between said ducts, valves in said ducts, a pressure gauge communicating with said ducts, between said valves, a pipe communicating with said coupling, and a discharge pipe communicating with said coupling, for the purpose set forth. 26th. An apparatus of the character specified, comprising a reservoir having an outlet, a carbonating chamber communicating therewith, and having a gas and liquid inlet, means in said chamber for commingling gas and liquid, a pump for supplying liquid to the said liquid inlet of the carbonating chamber, a liquid duct leading from the outlet of the reservoir, a gas duct leading from the carbonating chamber, and communicating with the liquid duct, an inspirator connected with said ducts and located in the liquid inlet of the pump, and a pipe communicating with said ducts and inspirator, and adapted to be connected to a fountain, substantially for the purpose set forth. 27th. A float comprising an outer shell, and an interior body of relatively light material. 28th. A float of the character described, comprising an inner body of solid light material, and an outer metallic casing, or shell formed of two parts, with their meeting edges secured together. 29th. A float of the character described, comprising an inner body of solid light material, an outer metallic casing or shell formed in two parts, with their meeting edges secured together, and a rod passed through said body and secured to said shell. 30th. An apparatus of the character specified, comprising a carbonating chamber, independent inlets for the liquid and gas, a casing in the upper portion of the chamber having provisions for mechanically mixing the gas and liquid and for discharging the mixture, and a wire sponge in the lower portion of the carbonating chamber which receives the said mixture, the said carbonating chamber having an outlet below said wire sponge through which the carbonated liquid passes. 31st. An apparatus of the character specified, comprising a reservoir or casing for holding the carbonated liquid and having a gas supply inlet, a chamber communicating with said reservoir or casing and arranged therein, gas supply openings in said chamber, a liquid supply inlet independent of said gas supply inlet and communicating with said chamber by a perforated nozzle whereby gas is drawn directly from said reservoir through said openings into said chamber by the liquid from said nozzle, and means located

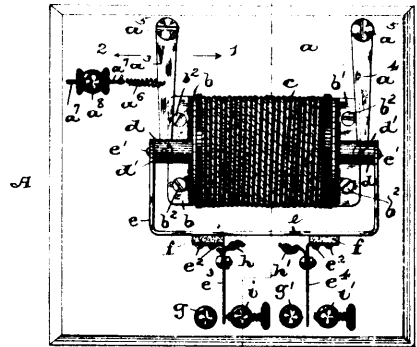
adjacent to said nozzle for retarding the flow of the liquid and gas and through which the liquid and gas are forced under pressure for sub-dividing and mechanically combining the same. 32nd. An apparatus of the character specified, comprising a reservoir or casing for holding the carbonated liquid and having a gas supply inlet, a chamber communicating with said reservoir or casing and arranged therein, gas supply openings in said chamber, a liquid supply inlet independent of said gas supply inlet and communicating with said chamber by a perforated nozzle whereby gas is drawn directly from said reservoir through said openings into said chamber by the liquid from said nozzle, and a wire sponge located adjacent to said nozzle for retarding the flow of the liquid and gas and through which the liquid and gas are forced under pressure for sub-dividing and mechanically combining the same. 33rd. In an apparatus of the character specified, a reservoir or casing having a gas supply inlet, a chamber communicating with said reservoir or casing and arranged therein and having a tubular neck provided with gas supply openings and connected with a liquid supply inlet independent of said gas supply inlet, and gas inducing liquid supply nozzle connected to said liquid inlet and located in said neck to draw gas directly from said reservoir through said openings, and foraminous means for retarding the flow of the liquid and gas and through which said liquid and gas are forced under pressure for sub-dividing and mechanically combining the same. 34th. In an apparatus of the character specified, a reservoir or casing having a gas supply inlet, a chamber communicating with said reservoir or casing and arranged therein and having a tubular neck provided with gas supply openings and connected with a liquid supply inlet independent of said gas supply inlet, a gas inducing liquid nozzle connected to said liquid inlet and located in said neck to draw gas directly from said reservoir through said openings, and foraminous means for retarding the flow of the liquid and gas and through which said liquid and gas are forced under pressure for sub-dividing and mechanically combining the same. 35th. An apparatus of the character specified, comprising a reservoir or casing for holding the carbonated liquid and having a gas supply inlet, a chamber communicating with said reservoir or casing and arranged therein, gas supply openings in said chamber, a liquid supply inlet independent of said gas supply inlet and communicating with said chamber by a perforated nozzle whereby gas is drawn directly from said reservoir through said openings into said chamber by the liquid from said nozzle, a strainer for the liquid located in said nozzle, and means located adjacent to said nozzle for retarding the flow of the liquid and gas and through which the liquid and gas are forced under pressure for sub-dividing and mechanically combining the same. 36th. In combination with a closed receptacle, a valve casing on said receptacle and having a portion projecting into the interior of said receptacle, a liquid inlet connected to said valve casing, a liquid conduit between the inner and outer portions of the valve casing and opening into the interior of said receptacle, a main valve located in the portion of the valve casing outside of the closed receptacle and controlling the main liquid passage leading to said closed receptacle, an auxiliary valve located in the portion of the valve casing within the closed receptacle and controlling the said liquid conduit in the valve casing and adapted upon closing said liquid conduit to cause the closing of the main valve controlling the said main liquid passage by the pressure of the liquid entering through said liquid inlet, and a float within said receptacle arranged to act on said auxiliary valve which is adapted to close or open said liquid conduit by the rise and fall of the float. 37th. In combination with a closed receptacle, a valve casing on said receptacle and having a portion projecting into the interior of said receptacle, a liquid inlet connected to said valve casing, a liquid conduit between the inner and outer portions of the valve casing and opening into the interior of said receptacle, a main valve located in the portion of the valve casing outside of the closed receptacle and controlling the main liquid passage leading to said closed receptacle, an auxiliary valve located in the portion of the valve casing within the closed receptacle and controlling the said liquid conduit in the valve casing and adapted upon closing said liquid conduit to cause the closing of the main valve controlling the said main liquid passage by the pressure of the liquid entering through said liquid inlet, a float within said receptacle arranged to act on said auxiliary valve which is adapted to close or open said liquid conduit by the rise and fall of the float, and a steam pump, the action of said pump being stopped by the closing of said liquid conduit by said auxiliary valve.

No. 61,601. Electric Regulator. (Regulateur électrique.)

Morris Moskowitz, Newark, New Jersey, U.S.A., 3rd November, 1898; 6 years. (Filed 25th July, 1898.)

Claim.—1st. The herein described electric regulator, comprising, in combination with a coil *c*, a movable plunger, a pair of contact arms connected with a frame *e* which is also connected with the ends of said plunger, and contact posts *g* and *i* between which said contact arms are adapted to vibrate, substantially as and for the purposes set forth. 2nd. The herein described electric regulator, comprising, in combination with a coil *c*, a movable plunger in said coil, a frame *e* connected with the ends of said plunger, a pair of contact arms *e*³ and *e*⁴ connected with said frame *e*, contact posts *g* and *i*, and *g*¹ and *i*¹, between which said arms *e*³ and *e*⁴ are adapted to vibrate, and mechanical means connected with said frame to cause contact between said arms *e*³ and *e*⁴ and the contact posts *g* and *i*, when there is no current of electricity passing through said coil *c*, substan-

tially as and for the purposes set forth. 3rd. The herein described electric regulator, comprising, in combination with a coil *c*, a

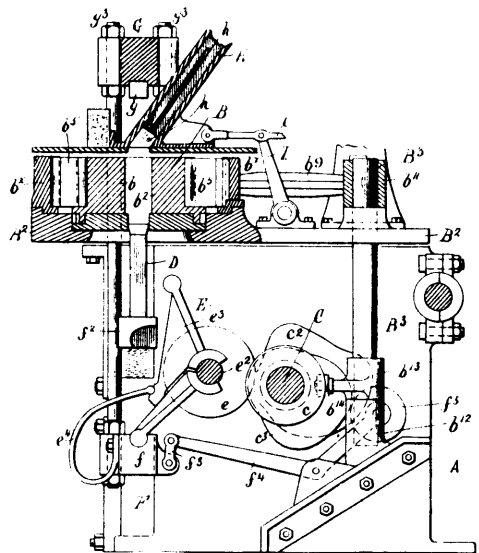


61601

movable plunger in said coil, a frame *e* connected with the ends of said plunger, a pair of contact arms *e*³ and *e*⁴ connected with said frame *e*, contact posts *g* and *i*, and *g*¹ and *i*¹ between which said arms *e*³ and *e*⁴ are adapted to vibrate, and mechanical means connected with said frame to cause contact between said arms *e*³ and *e*⁴ and the contact posts *g* and *i*, when there is no current of electricity passing through said coil *c*, and means consisting, essentially of a pair of arms *a*³ and *a*⁴ pivotally connected with said plunger, and also pivotally arranged on posts on the frame or base of the device, and a tension spring connected with one of said arms and with a post on said base, substantially as and for the purposes set forth. 4th. The herein described electric regulator, comprising, in combination with a coil *c*, a movable plunger in said coil, a frame *e* connected with the ends of said plunger, a pair of contact arms *e*³ and *e*⁴ connected with said frame *e*, contact posts *g* and *i*, and *g*¹ and *i*¹ between which said arms *e*³ and *e*⁴ are adapted to vibrate, and mechanical means connected with said frame to cause contact between the arms *e*³ and *e*⁴ and the contact posts *g* and *i*, when there is no current of electricity passing through the coil *c*, said means consisting, essentially, of a pair of arms *a*³ and *a*⁴ pivotally connected with said plunger *d*, and also pivotally arranged on posts on the frame or base of the device, and an adjustable tension spring connected with one of said arms and with a post on said base, substantially as and for the purposes set forth.

No. 61,602. Brick Making Machine.

(Machine à faire la brique.)



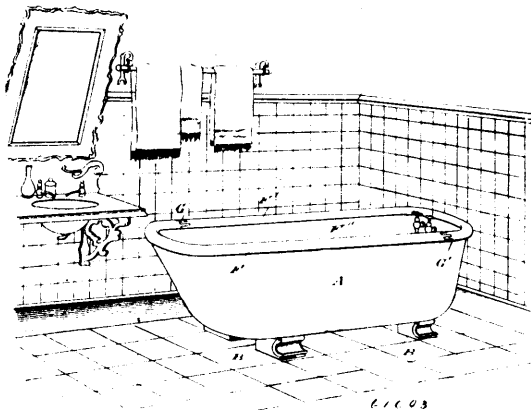
61602

Frederick Clifford Norris, Detroit, Michigan, U.S.A., 3rd November, 1898; 6 years. (Filed 28th June, 1898.)

Claim.—1st. The method of making brick, which consists in supplying a mould with plastic material, subjecting this to requisite pressure, and removing lateral pressure previous to discharge, to permit expansion within the mould, whereby roughening or breaking of the sides and corners of the brick will be obviated, substantially as described. 2nd. In a brick-making machine, a mould hav-

ing expanding walls, the corners of which are closed, when the walls are opened, substantially as described. 3rd. In a brick-making machine, the combination with a reciprocating die and a plunger, of a mould having expanding walls, the corners of which are closed when the walls are opened, substantially as described. 4th. In a brick-making machine, the combination with an expanding mould, of a reciprocating die and plunger, the movements of the die and plunger being so timed that the mould will expand the instant the plunger ceases to impart pressure, substantially as described. 5th. In a brick-making machine, the combination with an expanding mould, of a die and a plunger, a toggle-joint for operating the plunger to cause it to move upward and thus raise the plunger, a lever connected by interposed mechanism with the die, and a cam for operating said mechanism to raise and lower the die, substantially as described. 6th. In a brick-making machine, the combination with a die and a plunger, of a mould having movable sides, a frame or boxing inclosing the walls of the mould, fulcrums interposed between the walls and the inner sides of the boxing, levers connecting with the boxing, a shaft carrying a plate to which the levers are secured, and a cam adapted, at predetermined times, to rotate the shaft and, through the levers, to turn the boxing, thereby to open and close the members of the mould, substantially as described.

No. 61,603. Rim for Bath Tubs. (*Entourage pour baign.*)



David S. Cluff, Goderich, Ontario, Canada, 3rd November, 1898: 6 years. (Filed 30th September, 1898.)

Claim.—1st. A rim for bath tubs, consisting of bent wood having its ends joined by a tongue and groove or dovetail joint, substantially as described. 2nd. A rim for bath tubs, consisting of two sections of bent wood each substantially in the form of a crook comprising one side and one end of the rim, said sections being joined at their ends to form a complete rim by means of dovetail or tongue and groove joints, substantially as described.

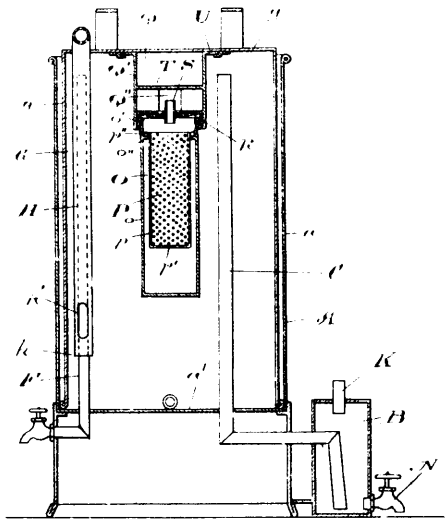
No. 61,604. Acetylene Gas Making Apparatus.

(*Appareil à faire le gaz acétylène.*)

John D. Forsyth, Claremont, Ontario, Canada, 3rd November, 1898; 6 years. (Filed 20th July, 1898.)

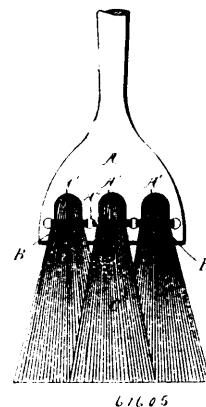
Claim.—1st. In a gasometer, a generator embracing in its construction a shell adapted to be attached to the under side of the top of the floating part of the gasometer, a carbide holder sustained within the shell, and openings through the shell and carbide holder, substantially as specified. 2nd. In a gasometer, a generator embracing in its construction a collar fitted to the under side of the top of floating part of the gasometer, a socket adapted to be detachably connected on the collar, a carbide holder sustained within the socket, a perforated disc within the collar above the carbide holder, and openings through the collar to the disc, substantially as specified. 3rd. In an acetylene gas apparatus, a generator embracing in its construction a screw-threaded collar adapted to be fitted to the under side of the top of the gasometer, a perforated disc within the collar intermediate the top and bottom, a pipe passing centrally through the disc, openings through the collar above the disc, a socket adapted to be detachably fitted to the collar, and a carbide holder sustained within the socket, substantially as specified. 4th. In an acetylene gas apparatus, a generator embracing in its construction a screw-threaded collar adapted to be fitted to the under side of the top of the gasometer, a perforated disc within the collar intermediate the top and bottom, a pipe passing centrally through the disc, openings through the collar above the disc, a socket adapted to be detachably fitted to the collar, an internal shoulder for the socket, a carbide holder within the socket, and a flange for the carbide holder to rest upon the internal shoulder, substantially as specified. 5th. An acetylene gas apparatus embracing in its construction a gas-well, an outlet-pipe extending from substantially the top of the gas-well through the bottom to purifier, to which is adapted to be connected the gas-mains, a bell for the gas-well, a safety-escape pipe

within the gasometer, embracing in its construction a gas-pipe, extending from substantially the top of the gas-well through the



bottom, and adapted to be connected to the outlet from the building, a pipe connected to the outlet and having an opening through its side in close proximity to its lower ends and adapted to telescope within the pipe of the well, an air-pipe fitted to the bell provided with a valve, a coupling between the air-pipe and safety-escape pipe, and a generator embracing in its construction a screw-threaded collar fitted to the under side of the top of the bell, a perforated disc for the collar intermediate the top and bottom, a pipe passing centrally through the disc openings through the collar above the disc, a socket adapted to be detachably fitted to the collar, a shoulder for the carbide holder to rest upon the shoulder of the socket, substantially as specified. 6th. In an acetylene gas apparatus, a generator connected to the floating part of the gasometer consisting of a case, a carbide holder within the case, openings through the case above the carbide holder to admit water to the carbide only when the floating part of the gasometer is in its most lowered position, the case being so arranged as to prevent the carbide falling from the carbide holder into the bottom of the gasometer, substantially as specified.

No. 61,605. Broom and Brush. (*Balai et brosse.*)

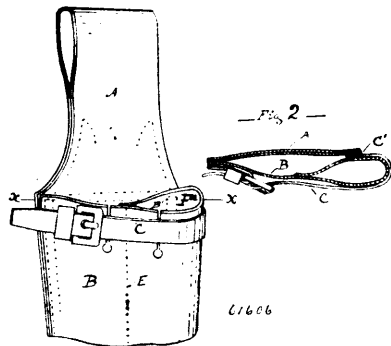


John Matherson, Bourke, New South Wales, Australia, 3rd November, 1898; 6 years. (Filed 14th July, 1898.)

Claim.—1st. In an improved broom or brush, a handle having A¹, bored therein for the insertion of the hair or fibre, substantially as herein set forth. 2nd. In an improved broom or brush, a handle having holes A², bored therein for the purpose of holding the wire or other material which binds the hair or fibre to the handle, substantially as herein set forth. 3rd. In the handles of brooms and brushes, the combination and arrangement of one or more fibre-holes A¹, with a set of wire-holes A², substantially as herein set forth. 4th. In an improved broom or brush, the arrangement of the fibre or hair passing through a hole in the palm of the handle and being doubled over on the other side thereof and duly secured by wire or

other binding passing through holes in the handle, substantially as herein set forth and as illustrated in the drawings. 5th. In the manufacture of brooms and brushes, the combination, and arrangement of a handle provided with fibre-holes and wire-holes A², with branches of fibre or hair C, passing through said fibre-holes, and bound to the handle with wire or other binding passing through the said fibre-holes, substantially as herein set forth.

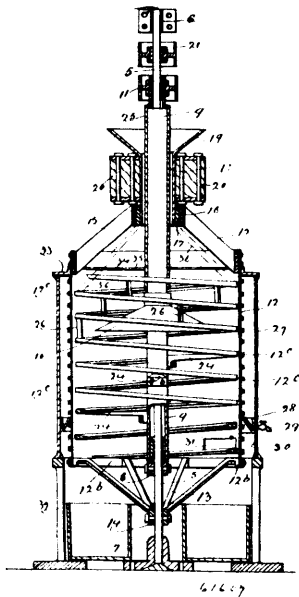
No. 61,606. Bayonet Frog. (*Fourreau de baïonnettes.*)



Angus Munro and the firm of Knight & Munro, all of Halifax, Nova Scotia, Canada, 4th November, 1898; 6 years. (Filed 12th August, 1898.)

Claim.—In a bayonet frog constructed with two carrying loops, for carrying besides the bayonet an additional tool or weapon, the construction of the front part, which forms the loops, of one piece of leather, or other material, said piece being cut of suitable shape and doubled back upon itself for the formation of the auxiliary loop, in manner substantially as shown and described.

No. 61,607. Centrifugal Drier. (*Sechoir centrifuge.*)



David Aikman and Theodore Doucet, Montreal, Quebec, Canada 4th November, 1898; 6 years. (Filed 2nd August, 1898.)

Claim.—1st. In a drier, the combination of a rotating distributor, cylindrical sieve encircling such distributor and rotating independently thereof, the speed of rotation of the distributor being faster than that of the cylindrical sieve, an inner main shaft on which such cylindrical sieve is carried, and an outer tubular shaft on which the distributor is carried, a helix located in close proximity to the inside face of such cylindrical sieve and within said open space and intermediate of the distributor and cylindrical sieve, and means for operating the shafts of such distributor, and cylindrical sieve at different speeds, for the purpose set forth. 2nd. In a drier the combination of a rotating distributor, a rotating cylindrical sieve encircling such distributor and forming an open unobstructed space between such distributor and cylindrical sieve and throughout the interior length of the cylindrical sieve, a helix located in close proximity to the inside face of such cylindrical sieve and within such

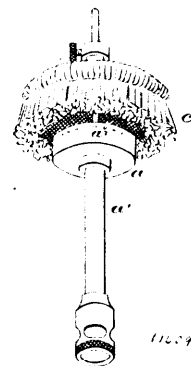
open space, and means for operating such distributor and cylindrical sieve, for the purpose set forth. 3rd. In a drier, the combination of a rotating distributor, a rotating perforated cylindrical sieve encircling such distributor and forming an open unobstructed space between such distributor and cylindrical sieve and throughout the interior length of the cylindrical sieve, a helix located in close proximity to the inside face of such cylindrical sieve and within said open space and intermediate of the distributor and cylindrical sieve, an inner main shaft on which such cylindrical sieve is carried and an outer tubular shaft on which the distributor is carried, with means for operating the shafts of such distributor and cylindrical sieve at different speeds, for the purpose set forth. 4th. In a drier, the combination of a rotating conical distributor, a rotating cylindrical sieve encircling such distributor, and forming an open unobstructed space between such distributor and cylindrical sieve and throughout the interior length of the cylindrical sieve, a wall encircling such cylindrical sieve, a helix located in close proximity to the inside face of such cylindrical sieve and within such open space and intermediate of the distributor and cylindrical sieve, and means for operating such distributor and cylindrical sieve, for the purpose set forth. 5th. In a drier, the combination of a rotating distributor, a rotating cylindrical sieve encircling such distributor and forming an unobstructed space between such distributor and cylindrical sieve and throughout the interior length of the cylindrical sieve, an inner main shaft on which such cylindrical sieve is carried, and an outer tubular shaft on which the distributor is carried with means for operating such shaft, a wall encircling such cylindrical sieve, a rotatable helix in the form of an open helix freely working within such open space above and intermediate of the distributor and cylindrical sieve and the periphery of which is located in close proximity to the inside face of such cylindrical sieve and means for operating such distributor, cylindrical sieve, and helix, for the purpose set forth. 6th. In a drier, the combination of a conical distributor secured rigidly upon a hollow shaft, a cylindrical sieve, encircling such distributor secured rigidly to a shaft partially within such hollow shaft and forming an unobstructed open space between such distributor and cylindrical sieve and throughout the interior length of the cylindrical sieve, a stationary wall encircling such cylindrical sieve, a rotatable open helix freely working within such open space and intermediate of the distributor and cylindrical sieve and connected to such hollow shaft, the periphery of such helix being located in close proximity to the inside face of such cylindrical sieve, and means for operating such distributor, cylindrical sieve and helix, for the purpose set forth.

No. 61,608. Process of Producing Extracts of Malts, Hops, etc. (*Procédé pour la production d'extraits de malt, houblon, etc.*)

George Gordon Cave, Fenny Stratford, Buckingham, and Herbert Skyring Stoneham, 70 Cornhill, London, all in England, 4th November, 1898; 6 years. (Filed 19th July, 1898.)

Claim.—1st. The process of producing edible extracts of malt, hops and other substances, and consisting in subjecting a filtered infusion or other liquid preparation or natural liquid to a double concentration in separate vessels, at a higher and lower temperature, and finally boiling the concentrate for a short time, as set forth. 2nd. In the process of producing edible extracts of malt, hops and other substances, concentrating the filtered infusion, or other liquid preparation, or natural liquid by boiling for any length of time, part of caramelisation taking place, and subsequently treating the concentrate in a separate vessel at a lower temperature, as described.

No. 61,609. Incandescent Gas-Burner. (*Bouleur de gaz incandescent.*)

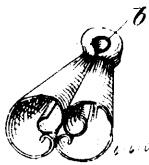


Joseph Blasco de Lery, New York City, State of New York, U.S.A., 4th November, 1898; 6 years. (Filed 28th January, 1898.)

Claim.—1st. An incandescent element for gas-burners, consisting of a plurality of layers of incandescing material bunched and secured

together with its layers in supporting contact along one edge, the opposite edges of the several layers being free and separated, substantially as described. 2nd. In an incandescent gas-burner, an incandescent element consisting of a plurality of layers of incandescent material, secured or placed together in supporting contact along one edge, the opposite edges of the several layers being free and separated in combination with a burner arranged to direct its flame against the separated edges of the incandescent material, substantially as described. 3rd. An incandescent gas-burner consisting of an incandescent element in the form of a ring made up of layers of incandescent material secured together in supporting contact along one edge and depending from a suitable support, the lower or depending edges of said layers being separated and free, in combination with a gas-burner located inside of the ring and provided with a series of gas-outlets which direct the flames against the separated edges of the incandescent material. 4th. An incandescent gas-burner consisting of an incandescent element in the form of a ring and made up of layers of incandescent material secured together in supporting contact along one edge, and depending from a suitable support, the lower or depending edges of said layers being separated and free, in combination with a gas-burner located inside of the ring and provided with a series of gas-outlets which direct the flames laterally against the separated edges of the incandescent material. 5th. In an incandescent gas-burner, a plurality of bunched layers of incandescent material in combination with a supporting rod or frame, the bunch of layers being folded and saddled over the rod or frame and secured thereon, substantially as described.

No. 61,610. Gas Burner. (*Brûleur de gaz.*)



The De Lery Light Company, assignee of Elverton R. Chapman, New York City, assignee of Joseph Blasco De Lery, New York, U.S.A., 4th November, 1898; 6 years. (Filed 28th January, 1898.)

Claim.—1st. An incandescent burner consisting of a plurality of conical mantles secured together at their apexes for mutual support, in combination with a gas outlet arranged to direct its flame or flames into said cones, substantially as described. 2nd. An incandescent burner consisting of a plurality of conical mantles constructed from a single piece of fabric secured together at their apexes for mutual support, in combination with a gas outlet arranged to direct its flame or flames into said cones, substantially as described. 3rd. An incandescent burner consisting of a single sheet of incandescent material substantially rectangular in shape having two opposite sides folded towards each other and again folded transversely so that the other two edges will be brought together and provided with a binding thread or device adjacent to the transverse fold, substantially as and for the purpose set forth. 4th. An incandescent burner consisting of a single sheet of incandescent material substantially rectangular in shape having two opposite sides folded towards each other, in combination with a support over which the folded material is saddled and a binding device for holding the material on the support and opening the free edges of the material, substantially as described.

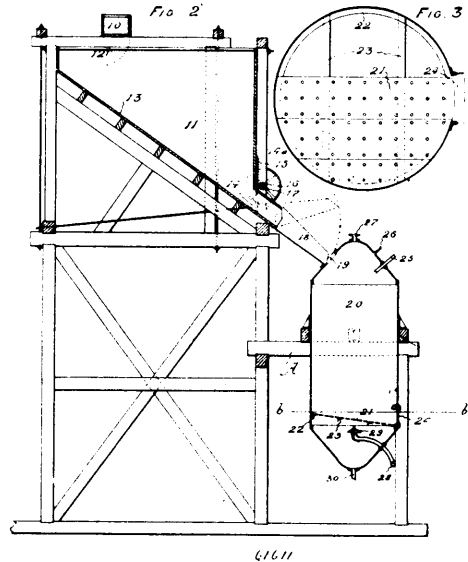
No. 61,611. Fish Offal Digester.

(*Machine pour la préparation d'excrats de poisson.*)

Thomas Herbert Wymond, assignee of Thomas Watts, both of Vancouver, British Columbia, Canada, 4th November, 1898; 6 years. (Filed 9th July, 1898.)

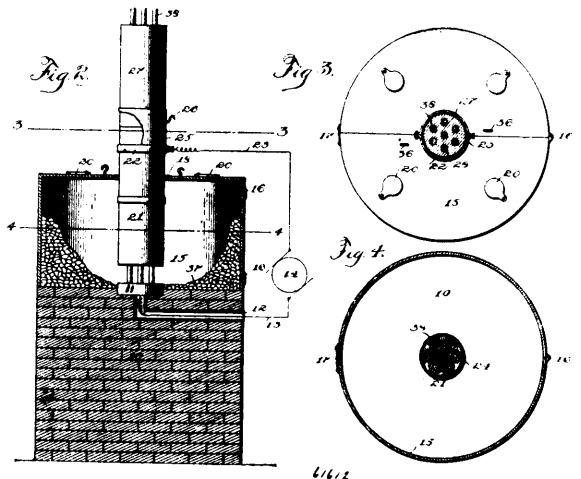
Claim.—1st. In an apparatus for handling and digesting fish offal, and for extracting the marketable products therefrom, the combination of a series of hopper tanks 11, having sloping bottoms, and contracted outlets at their lowest plane, and means for depositing the offal into one, or more of them simultaneously, as specified, of vertical slidable trap doors 14 arranged in the said contracted outlets, means for opening and for closing the same, of digesting tanks 20 having openings 19 in their upper ends, arranged in proximity to the outlets in the tanks 11, and movable ducts 18 pivoted to the projecting lips of the said outlets, and designed to communicate with the openings in the digesters, whereby the offal will be deposited therein, as set forth. 2nd. In an apparatus for handling, and for extracting the marketable products from fish offal, the combination of a series of hopper tanks 11, the same having forwardly sloping bottoms, means for depositing the raw offal into said tanks, openings at the lowest plane in the bottoms of said tanks, vertically slidable closures for such openings, digesting tanks arranged in proximity to the openings in the tanks, but on a lower plane to such openings, openings in the upper ends of said digesting tanks, and means for communicating, by ducts between the tanks 11 and the digesters, as set forth. 3rd. In an apparatus for handling, and for

extracting the marketable products from fish and offal, the combination of a series of tanks, for first receiving the offal, and



digesters to receive the same therefrom, said digesters being of cylindrical form having conoidal ends, perforated bottoms, arranged sloping, just above the depending cones of the lower ends, and closable openings above such bottoms, for the ejection of the residue after being treated, as set forth. 4th. In a digester for extracting the marketable products from fish and fish refuse, a closeable vessel having conoidal ends, and an opening in the upper end of same, foraminous bottom supported on an uneven plane just above the cone of the lower end, and a closable door 24 on the lower plane of and above such bottom, and ducts for injecting steam above and below the said bottom, as and for the purpose specified. 5th. In a means for handling and a vessel for treating fish and offal, in combination with the tank or tanks described, for the reception of the raw material, means for closing said tanks, and for injecting steam to the interior thereof on top of the matter to be treated and to beneath a foraminous supporting bottom in the bottom of said tank or tanks, until all the gelatine is dissolved, and then means for forcing the released liquids downwards through the perforated bottom, as set forth. 6th. In an apparatus for the purpose described, the combination of receiving tanks 11 for the offal, and of means for transferring it from one or more of them continuously to closable tanks 20, of means for applying a dissolving agency to the offal, while in the closed vessels, and of finally ejecting the oily and aqueous matters therefrom by steam pressure, as set forth.

No. 61,612. Electric Furnace for making Calcium Carbide. (*Fournaise électrique pour la fabrication du carbure de calcium.*)

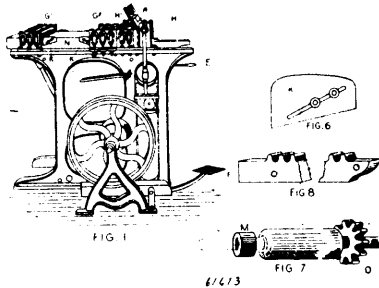


Corydon L. Wilson, Charles Muma, John W. Unger, Henry Schneekloth, Amos P. Brosius, Joseph C. Kuchel and Robert H. Smith, all of Holstein, Iowa, U.S.A., 4th November, 1898; 6 years. (Filed 12th May, 1898.)

Claim.—1st. An electric furnace for producing calcium carbide, comprising a base, an electrode mounted in the base, a second electrode slidingly supported above the base, and having a number of longitudinal openings extended therethrough, a source of electrical supply connected with the said electrode, a block of insulating material fixed to the upper electrode, and also provided with a number of longitudinal openings arranged to coincide with the opening in the electrode so that a number of sticks of lime and carbon may be fed manually to the space between the electrode, said upper and lower electrode being so arranged that the said sticks passed through the upper electrode will rest upon the lower electrode until melted when they are free to run from between the electrode, and means for raising and lowering the electrode and insulator jointly, substantially as and for the purposes stated. 2nd. An electric furnace for producing calcium carbide, comprising a base, an electrode in the base, a source of electrical supply, a metal casing divided vertically into two parts, a latch at the opposite side thereof from the hinges, a hook on each part slides hinged to the top of the casing to cover the openings therein, an electrode having one or more vertical openings, a metal band at its top, an electric cable leading therefrom to the said source of electrical supply, a metal collar at the upper end of the electrode to the projection above it, hooks at the opposite sides thereof, cables for connecting the said hooks with the aforesaid hooks on the casing, an insulator resting in the said collar and having openings to coincide with the openings in the electrode, a crane and two cables leading therefrom and to the said hooks in the collar, all arranged and combined substantially as and for the purposes stated.

No. 61,613. Lithographic Machine.

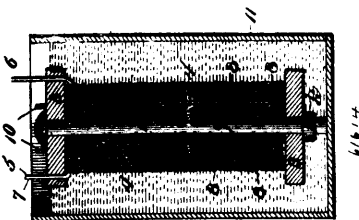
(*Machine lithographique.*)



James Christopher Halligan and James Ferguson, both of Queen Street, Brisbane, Stanley, Queensland, Australia, 4th November, 1898; 6 years. (Filed 21st January, 1898.)

Claim.—1st. In a lithographic machine, a feeding board A, having its upper top portion hollowed as shown, and its lower edge A² bevelled off, for the purposes described, slot A⁴ centrally and vertically formed therein, and a feeding lay A¹, fitting said slot, and adjustably secured thereto, substantially as shown and for the purposes herein set forth. 2nd. In a lithographic machine, the combination of the vertical central slot A⁴, formed in the feeding board, with the feeding lay A¹, adjustably secured therein, substantially as and for the purposes herein set forth. 3rd. In a lithographic machine, the combination with a feeding board A, constructed as described, of a guide A² adjustably secured thereto, substantially as and for the purposes herein set forth. 4th. In a lithographic machine, the combination of the metal shield C and the rollers D and D¹, substantially as and for the purposes herein set forth. 5th. In a lithographic machine, the combination of the adjustable plates K and K¹ with runners M, substantially as and for the purposes herein set forth. 6th. In a lithographic machine, the combination of the starting lever E and the foot brake F, fitted to the front of the machine, substantially as and for the purposes set forth.

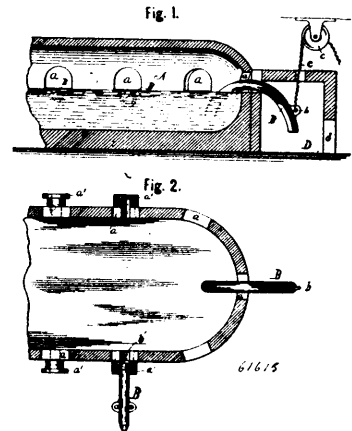
No. 61,614. Electric Battery. (*Pile électrique.*)



Nathan B. Stubblefield and William G. Love, both of Murray, Kentucky, U.S.A., 4th November, 1898; 6 years. (Filed 29th March, 1898.)

Claim.—1st. A combined electric battery and electro-magnet for use with water as an electrolyte comprising a soft iron core piece, and a voltaic couple of copper and iron wires insulated from each other and closely and compactly wound together in separate insulated layers to produce a solid coil body surrounding the soft iron core piece, substantially as set forth. 2nd. An electrical battery for use with water as an electrolyte comprising a voltaic couple of insulated copper wire and bare iron wire closely wound into a coil body, substantially as described. 3rd. An electrical battery for use with water as an electrolyte comprising a voltaic couple of insulated copper and bare iron wire wound side by side in separate insulated layers to produce a coil body, substantially as described. 4th. An electrical battery, for use with water as an electrolyte, comprising a voltaic couple having its separate electrodes insulated from each other and closely wound into a compact coil body forming a self-generating primary coil when moistened, and a solenoid or secondary coil fitted on the coil body of the couple, substantially as set forth.

No. 61,615. Apparatus for Manufacturing Articles of Glass. (*Appareil pour la fabrication de verrerie.*)



Homer Brooke, Jersey City, New Jersey, U.S.A., 4th November, 1898; 6 years. (Filed 16th August, 1898.)

Claim.—1st. The combination of a device for containing glass, in a molten state, an outlet thereto in the form of a projecting conduit, a connection of glass between the conduit and the containing device, and means for maintaining the glass connection plastic, substantially as specified. 2nd. A device for containing glass in a molten state, an outlet thereto in the form of a projecting conduit, said outlet being free from any internal obstruction, and provided with means for adjusting its outer end, and means for maintaining said conduit hot to permit the flow of molten glass therethrough, substantially as specified. 3rd. A device for containing glass in a molten state, an outlet thereto in the form of a projecting conduit, said outlet being free from any internal obstruction and provided with means for adjusting its outer end, a connection of glass between said conduit and containing device and means for maintaining the glass connection plastic, substantially as specified. 4th. A device for containing glass in a molten state, an outlet in the form of a projecting conduit, said outlet being free from any internal obstruction and provided with means for adjusting its outer end, and flanges on said device engaging the projecting conduit, substantially as specified. 5th. A device for containing glass in a molten state having an outlet in the form of a conduit made in two sections, the inner one having its end above the bottom of the device and the outer one being adjustable, said outlet being free from any internal obstruction and provided with means for adjusting its outer end, and means for maintaining said conduit hot to permit the flow of glass therethrough, substantially as specified. 6th. The combination with a device for containing glass in a molten state, of an outlet in the form of a conduit, said conduit being free from internal obstruction, means for adjusting the outer end of said conduit, and a eating chamber for the projecting portion of said conduit, substantially as specified.

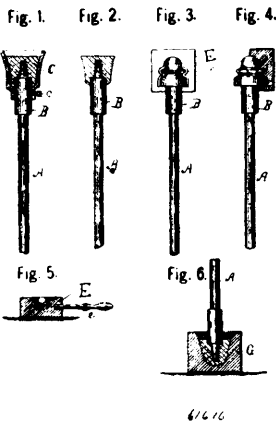
No. 61,616. Process of Moulding Glass.

(*Procédé pour mouler le verre.*)

Homer Brooke, Jersey City, U.S.A., 4th November, 1898; 6 years. (Filed 16th August, 1898.)

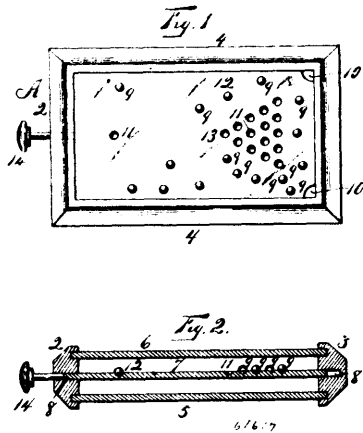
Claim.—1st. The process of giving formation to a mass of plastic glass, which consists in supporting said mass and thereby moulding and giving final shape to a portion of the surface of said glass, and subsequently moulding the remaining portion of the surface thereof by subjecting the mass to a rotary motion, substantially as specified. 2nd. The process of giving formation to a mass of plastic glass,

which consists in supporting a mass of plastic glass until final formation is giving thereto, the supporting of said mass acting also to



mold and give a final shape to a portion of the surface thereof, and then completing the formation of the glass by moulding the remaining portion of the surface by subjecting the mass to a rotary motion, substantially as specified. 3rd. The combination of a portable hand rod and a mould form attached thereto for supporting a mass of plastic glass, substantially as specified. 4th. The combination of a portable hand rod, an inner mould form attached thereto for supporting a mass of plastic glass, and a receiver of molten glass into which the inner mould form is projected, substantially as specified. 5th. The combination of a portable hand rod, an inner mould form attached thereto for supporting a mass of plastic glass, a receiver for molten glass into which the inner mould form is projected, and a detachable connection between said receiver and the inner mould form, substantially as specified. 6th. The combination of a portable hand rod, an inner mould form attached thereto for supporting a mass of plastic glass, a receiver for molten glass into which the inner mould form is projected, and a frame or support for gauging the position of the inner form relatively to the receiver, substantially as specified.

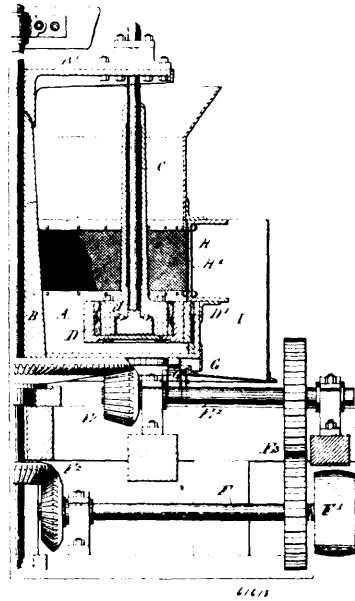
No. 61,617. Game. (Jeu.)



John Henry Tickner and George Lambert Tickner, both of Syracuse, New York, U.S.A., 4th November, 1898; 6 years. (Filed 21st September, 1898.)

Claim.—1st. The combination with a box comprising sides, ends, bottom and transparent cover, of an intermediate movable partition or table dividing said box into two chambers, said table being provided with central recesses open on top, only arranged in a predetermined form or figure, and corner apertures which are opened by moving the table in one direction, so that balls can pass through into the lower chamber, while being rolled upon said table to seat them in said recesses, whereby the hazard of the game is increased, and suitable balls normally placed in the upper chamber. 2nd. The combination with a box, having sides, ends, and transparent cover, of a bottom provided with recesses arranged in the form of a pyramid, substantially central to said bottom, balls upon said bottom, and recesses exterior to said pyramid, creating obstacles to the rolling of said balls into said pyramidal recesses and increasing the difficulty of the game, such rolling being effected by manually tilting the box.

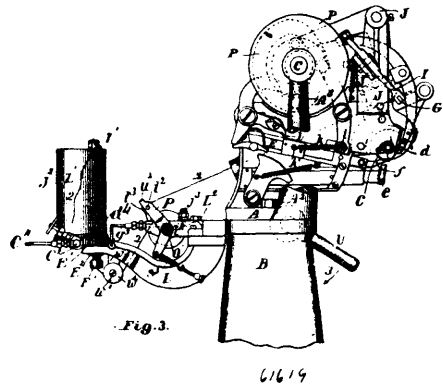
No. 61,618. Centrifugal Roller Mill. (Moulin à rouleaux centrifuge.)



Walter Palmer Wynne, Nos. 33 to 47 Armstrong Street, Ballarat, Victoria, Australia, 4th November, 1898; 6 years. (Filed 29th September, 1898.)

Claim.—1st. In a centrifugal roller mill the combination with a number of rollers such as D, mounted on depending shafts such as C, of a pan such as A, rotated in the opposite direction to the main central spindle such as B, substantially as and for the purpose herein described and explained and as illustrated in the accompanying drawing. 2nd. In a centrifugal roller mill, a circular pan such as A, fitted with an inner coarse screen such as H, and an outer fine screen H¹, substantially as and for the purpose herein described and explained and as illustrated in the accompanying drawing.

No. 61,619. Sewing Machine. (Machine à coudre.)

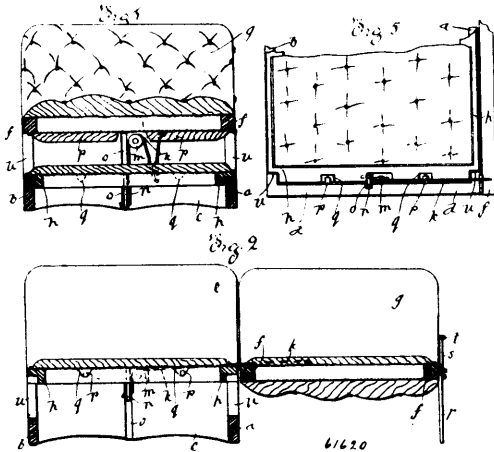


Joseph Eli Bertrand, Boston, Massachusetts, U.S.A., 4th November, 1898; 6 years. (Filed 22nd June, 1898.)

Claim.—1st. The combination of a needle carrier provided with the stop shoulder c², and mounted upon and movable about a fixed stud or journal, a curved barbed needle set in said needle carrier, means for oscillating said needle and carrier about said stud, the needle guide mounted loosely upon said fixed stud and provided with the lug or shoulder c², the pin f, set in said needle guide, the tubular stud d¹, set in a fixed position in the frame and provided with the stop shoulders m and m¹, the rocker-shaft g¹, the arm g², the spring j, and the tack-puller n, secured directly to, and movable only with said needle guide. 2nd. The combination of the stand L, the stud o¹, the tension wheel N, the friction hub N¹, provided with the circumferential groove r¹, the elbow lever M, the drum or grooved wheel R, mounted on a fixed fulcrum, the handle U, connected to said drum, and a flexible connection between said lever M, and drum R, substantially as described. 3rd. In a sewing machine, the combination with a wax pot comprising a thick cup-like base and a thin cylinder c¹, projecting upward from said base, a thread receiving tube set in said base, within, and projecting

upward to or above the top of said thin cylindrical portion of said wax pot and provided with a lateral opening through its fall near its lower end, and a thread delivering opening through said base within the lower end of said thread receiving tube. 4th. A wax pot composed of a thick cup-like base provided with a thread delivering opening in its bottom and a cylindrical chamber of larger diameter below said opening, and a comparatively thin cylinder secured to said base and projecting upward therefrom, in combination with a thread guiding tube set in said base within the walls of said wax pot and projecting upward to the top of said wax pot, and provided near its lower end with a lateral opening communicating with the interior of the wax pot, a thread stripper enclosed in the cylindrical chamber beneath said tube, and a longitudinally perforated set-screw set in the lower end of said chamber and adjustable to regulate the operation of said stripper. 5th. The combination in a sewing machine of the bracket L, provided with the steam passages b^2 , and f^2 , the pipes c^2 , c^3 , c^4 , and g^3 , connecting said passages, and means, as the valves d^4 and d^5 , for controlling the passage of steam through one or both of said passages b^2 and f^2 , at the will of the operator, as set forth.

No. 61,620. Folding Bed and Lounge. (Lit-sofa pliant.)



Napoleon Joseph Coté, Montreal, Quebec, Canada, 4th November, 1898; 6 years. (Filed 30th September, 1898.)

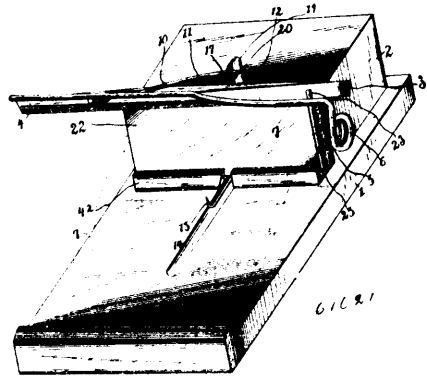
Claim.—1st. A folding lounge-bed having a main frame, a movable bed bottom within the frame and a hinged section adapted to be turned outward, with means for supporting the bed bottom, substantially as described. 2nd. A folding lounge-bed having a main frame, a movable bed bottom within the frame, a hinged section adapted to be turned outward, and an operative connection between the movable bed bottom and the hinged section the turning outward of the latter serves to raise the former, substantially as described. 3rd. A folding lounge bed having a main frame, the side boards of which are cut away to lower their upper sides and a movable bed bottom shaped to fit within such frame and have its side bars flush with the outside faces of the said side boards of the main frame, substantially as shown and described and for the purpose set forth. 4th. In a folding lounge-bed, the combination with the main frame of the lounge, of a vertically movable bed bottom within the frame, hinged sections f , g , cords kk , pulleys mm , and suitable guides and stops for the movable bed bottom and rests for the hinged sections, substantially as shown and described.

No. 61,621. Animal Trap. (Piège.)

Edmund Piggott, Dresden, Ontario, Canada, 4th November, 1898; 6 years. (Filed 28th October, 1897.)

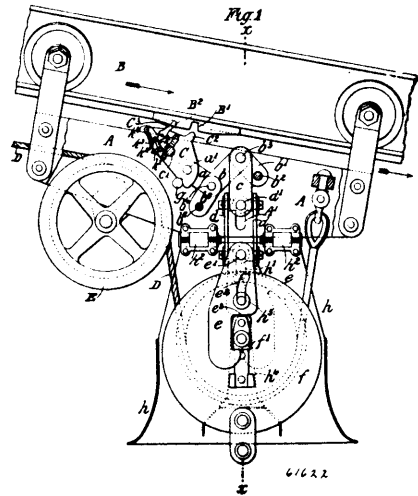
Claim.—1st. In a trap, a base, a block secured thereon, a top secured to the block and projecting over the base, a dead-fall secured to the base, a lever secured to the top and projecting slightly beyond the upper edge thereof, a catch for the opposite end of the lever and a trigger secured to the catch and projecting beneath the top, substantially as described. 2nd. In a trap, a base, a trap carried thereby and projecting forwardly over the same, a dead-fall and means for holding the same in a raised position, and a mirror interposed between the base and the top in rear of the dead-fall, substantially as described. 3rd. A trap comprising a base, a block secured thereon having an inclined transverse groove in front face, a top secured in the groove having its free end projecting over the base, a lateral groove in the under side of the top and in the lower edge of the block, a mirror having its edges seated in the said grooves, a dead-fall having a movement partially across the ends of the mirror whereby the mirror is held from end movement, and means for holding the dead-fall in a raised position, substantially as described. 4th. A trap comprising a base, a block secured thereto, a top secured to the block and projecting over the base, recesses in each

side of the lower portion of the block, a dead-fall having its ends coiled forming a spring, said coils being located in the recesses of



the block and means for holding the dead-fall in a raised position, substantially as described. 5th. A trap comprising a base, a block secured thereto, a top secured to the block and projecting upwardly upon an incline over the base, a slot in the top and in the block and a groove in the top of the base, the slots and groove being in vertical alignment a catch pivotally secured to the top and extending into the slots in the top and block, a trigger pivotally secured to the lower end of the catch and located in the groove in the base, a lever for engagement with the catch and a dead-fall carried by the base, substantially as described.

No. 62,622. Apparatus for Conveying Loads. (Appareil à transport.)



Joseph Temperley and John Ridley Temperley, both of the Temperley Transporter Company, 72 Bishopsgate street, London, England, 4th November, 1898; 6 years. (Filed 24th June, 1898.)

Claim. 1st. An apparatus of the kind or class hereinbefore referred to, in which the load-suspender is permanently coupled to the device that fastens the traveller to the track, for the purposes specified. 2nd. The double locking toggle-joint comprising two pivoted levers and a link coupling the same together and forming a part of the connecting mechanism between the load-suspender and the device that fastens the traveller to the track, substantially as described and for the purposes specified. 3rd. The horned lever or cam coupled by levers and links to the load-suspender, substantially as described and for the purposes specified. 4th. The third toggle-joint coupled to one of the joint-pins of the double locking toggle-joint and having its middle-joint pin coupled by links to the load-suspender, substantially as and for the purposes described. 5th. The load-sustaining blocks formed on the frame of the fall-block and adapted to be engaged by the load-suspender, for the purposes specified. 6th. The load-suspending hooks adapted to be raised by the load-sustaining block, and provided with means whereby, when thus raised, they will be moved into engagement with the said load-sustaining block, so that, when the traveller is unlocked from the track, the load will be sustained in the position to which it has been raised. 7th. The pivoted load-suspending hooks coupled by links

to the double locking toggle-joint for alternately locking the traveller to the track and the said hooks in position to sustain the load, and provided with means for moving them into and out of engagement with the load-sustaining block, substantially as described and for the purposes specified. 8th. The guide-frame for facilitating the entrance of the load-sustaining ball or block into the load-suspender, which guide-frame is hinged or pivoted to the traveller-frame so that it is free to swing longitudinally or laterally or both longitudinally and laterally, for the purposes specified. 9th. The combination, with the traveller-frame, of the lower frame connected therewith by hinge-joints so that it is free to swing laterally with the load, and the guide-frame suspended by a pivot from the said lower frame so that it is free to swing longitudinally, substantially as described. 10th. The guide-frame for facilitating the entrance of the load-sustaining ball or block into the load-suspender, which guide-frame together with the load-suspender is coupled to the device that fastens the traveller to the track, so that it will move up and down with the said load-suspender relatively to the traveller-frame, substantially as described. 11th. The load-suspender coupled by links to a slotted lever or cam which is connected by a sliding pin with a slotted horned lever for fastening the traveller to the track, substantially as and for the purposes described. 12th. The described load-sustaining ball or block having a hollow stem and a double eye at the lower end of the said stem, as and for the purpose specified.

No. 61,623. Can Soldering Machine.

(Machine à souder les boîtes métalliques.)

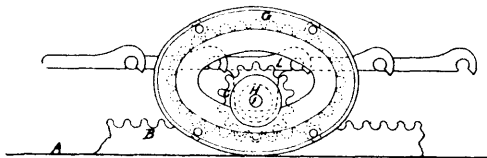


Fig. 1

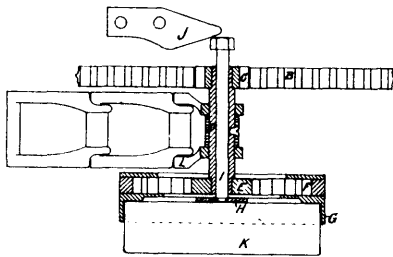
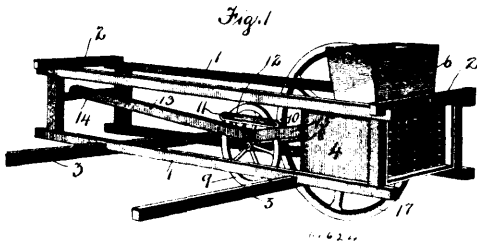


Fig. 2 61623

Walter Morris, Victoria, British Columbia, Canada, 4th November, 1898; 6 years. (Filed 2nd September, 1898.)

Claim.—The combination with the rack B, pinions G, E and wheel F, with the holder G, wedge J, spindle I and disc H, substantially as and for the purpose hereinbefore set forth.

No. 61,624. Curd Cutter. (Machine à couper les caillés.)



61624

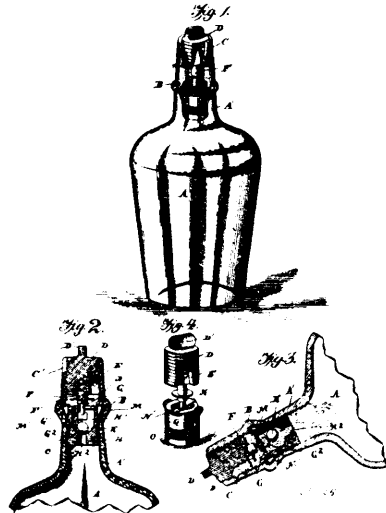
Jean Evangeliste Cayowette, Ste Claire, Quebec, Canada, 4th November, 1898; 6 years. (Filed 15th August, 1898.)

Claim.—1st. A curd cutter, comprising a frame, a cutter receiving chamber formed at the front end thereof, a piston movable within said chamber, and means for imparting a movement to said piston, whereby the cutter located therein will be freed from extraneous matter, substantially as described. 2nd. A curd cutter, comprising a frame, a cutter receiving chamber formed at the front end thereof, a piston movable within said chamber, a cutting frame mounted in said chamber and removable therefrom, and means for imparting a movement to said piston, whereby the curd will be freed from extraneous matter and be cut into small particles, substantially as described. 3rd. A curd cutter, comprising a frame, a cutter receiving chamber formed at the front end thereof, a hopper opening into said chamber, a cutting frame, removably mounted within said chamber, a piston mounted to have movement in said chamber in

rear of said cutting frame, a similar piston rod pivotally connected to said frame and having a connection to said piston, a slotted arm connected to one of said sections, a wheel mounted on said frame, and having a pin connection with said slotted arm, whereby when said wheel is rotated, said piston will be caused to move backward and forward within said chamber, and means for rotating said wheel, substantially as described.

No. 61,625. Non-refillable Bottle.

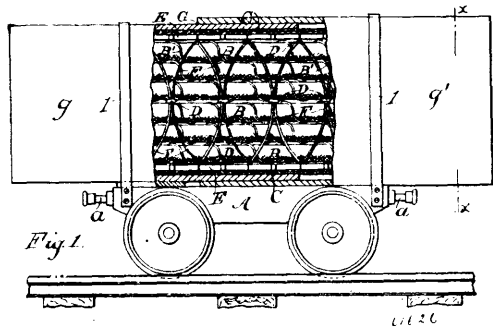
(Bouteille non-réemplissable.)



John McCafferty and John James McCafferty, both of Wall, Pennsylvania, U.S.A., 5th November, 1898; 6 years. (Filed 8th October, 1898.)

Claim.—1st. The combination with the neck of a bottle, of a screw plug provided with a vertical recess adapted to register with a slot in the upper edge of the said neck, and mechanism retained below said plug by means of which a ball valve is kept in operative position, substantially as herein shown and set forth. 2nd. The combination with the neck portion of a bottle, provided with a slotted lip and interiorly screw-threaded in its upper portion, of a screw plug adapted to engage with said interiorly screw-threaded neck, a central depending portion secured to or formed integral with said plug, a disc upon said depending portion, another plug provided with lateral springs adapted to engage with an annular groove formed upon the inner surface of the neck, a ball valve seated within a recess within said lower plug, said ball being limited in its movement by the depending portion of said screw plug, and means for maintaining said depending portion in a central vertical position, all substantially as herein shown and set forth. 3rd. In a non-refillable bottle, the combination with the interiorly screw-threaded and vertically slotted neck portion thereof, of a screw-threaded plug adapted to engage with said interiorly screw-threaded neck, said plug provided in its lower portion with a lateral vertical slot or recess, a portion depending from said plug, a disc secured or formed upon said depending portion, a cross-plate secured upon the lower edge of said portion, another plug adapted to be depressed into the lower end of said neck, springs secured upon said lower plug having their upper ends adapted to form retaining fingers in connection with an annular groove interiorly formed in the neck of the bottle, a ball valve within the recess in said lower plug, said recess provided with a downwardly extended aperture leading through said plug, and means as herein shown for limiting the movement of said valve, all substantially as and for the purpose herein shown and set forth. 4th. The combination with a bottle having an interiorly screw-threaded slotted neck provided with an inner annular groove, of a screw plug with a vertical slot adapted to be engaged by said screw-threaded neck, another plug recessed and apertured inserted below the first-mentioned plug, a ball valve adapted to have proper play within said recess in the lower plug, spring catches for retaining said lower plug below the said annular groove, means for limiting the play of said ball valve, and a projected lug portion for rotating the first-mentioned plug, all substantially as herein shown and set forth. 5th. The combination in a non-refillable bottle, of a neck portion interiorly screw-threaded, and provided with a vertical slot in the lip of an inner annular groove, and a screw plug adapted to be engaged by said screw-threaded neck, said plug having a depending portion with a cross plate secured to the lower end thereof, another plug adapted to be depressed to a point below said inner groove and retained in said position by spring catches, a ball valve located in a recess provided in said lower plug, above an aperture leading downwardly therethrough, means for limiting the play of said valve, and a disc on the lower end of the screw plug, all substantially as herein shown and set forth.

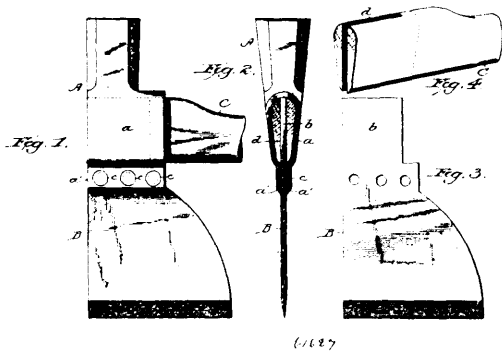
No. 61,626. Locomotive Protector.
(*Protecteur de locomotives.*)



Annie Beasley, Proplitt, West Point, Georgia, U.S.A., and Robert Law, Silverdale, Ontario, Canada, 5th November, 1898; 6 years. (Filed 29th September, 1898.)

Claim. 1st. A protector for locomotives, comprising a cushion mounted upon a truck and located between the locomotive and the cow-catcher, substantially as shown and described. 2nd. A protector for locomotives, comprising a cushion embodying a plurality of flexible rolls encased within a telescope cover, the same mounted upon a truck and adapted to be coupled between a locomotive and a cow-catcher, substantially as shown and described. 3rd. In a protector for locomotives, the combination of a plurality of flexible rolls and a metallic framework binding them together, and a telescopic cover surrounding the said rolls, and a truck supporting the device and means for coupling the truck between a locomotive and its cow-catcher, substantially as shown and described.

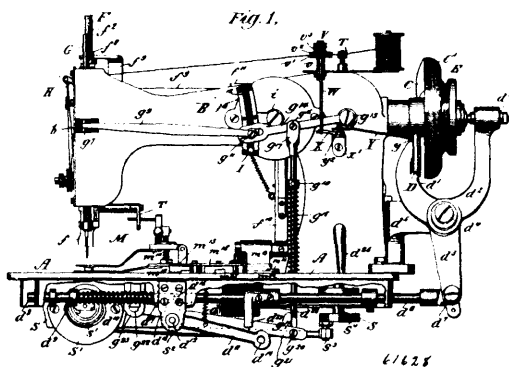
No. 61,627. Tool. (*Outil.*)



The Jenkins Iron and Tool Company, Howard, Pennsylvania, assignee of William R. Jenkins, Bellefonte, Pennsylvania, 5th November, 1898; 6 years. (Filed 4th October, 1898.)

Claim.—1st. As an article of manufacture, a tool comprising principally a head made in a single piece of metal and a blade, the posterior part of the latter inserted between the side walls of the eye of the former and extending therein partly or to the full depth of the eye, so as to rest in line with the operating axis of the tool. 2nd. As an article of manufacture, a tool comprising principally a head or pole made in a single piece and a blade, the blade being inserted in the eye of the head so that the two parts rest solidly together in line with the operating axis of the tool. 3rd. A tool consisting of a head having an eye, and a blade inserted in the eye and extending the full depth of the latter until its inner end abuts solidly against the inside wall of the eye so that a portion of the metal of the tool extends continuously from operating ends or edges through the operating axis or longitudinal centre of the tool. 4th. A tool comprising a head having an eye and open sides and a blade inserted between the sides into the eye and extending the full depth of the eye so that the inner end abuts on the inner or rear wall of the eye, and rivets secured through the sides and blade. 5th. A tool consisting of a head having an eye therein, a blade inserted in the eye and extending the full depth of the latter, and a handle inserted in the eye and straddling the shank, the latter acting as a wedge therein and the end of the handle affording lateral support for the shank. 6th. A tool consisting of a head, a blade extending the full depth of the eye thereof and secured in place therein, the end of the blade within the eye being narrower than the eye and a handle split at one end to a depth equal to the width of that portion of the blade which is inside the eye so that an unsplit portion of the handle is held in the eye.

No. 61,628. Button Hole Sewing Machine.
(*Machine à coudre les boutonnières.*)

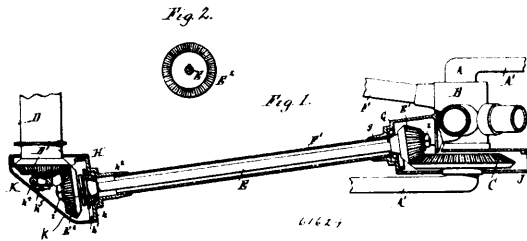


William Manning House, New York City, New York assignee of James T. Hogan, Jersey City, New Jersey, U.S.A., 5th November, 1898; 6 years. (Filed 18th July, 1898.)

Claim. 1st. In a sewing machine, the combination of a work clamp, a feed cam for moving the same lengthwise of the buttonhole, and means intermediate of the feed cam and work clamp comprising a detachable connection whereby it may be varied to increase the feed of the work clamp above the greatest diameter of the feed cam or decrease the feed of the work clamp, substantially as specified. 2nd. In a sewing machine, the combination of a work clamp, a feed cam, for moving the same lengthwise of the buttonhole, a lever intermediate of the feed cam and work clamp, and adjustable connections whereby it may be varied to change the feed of the work clamp, substantially as specified. 3rd. In a sewing machine, the combination of a work carrying clamp, a cam for operating said work clamp, a needle and concomitant parts for stitching work held in the work clamp, and means operated by said cam for gradually varying the amplitude of the jogging movement of the needle at predetermined times, substantially as specified. 4th. In a sewing machine, the combination of a work carrying clamp, a cam for operating said work clamp, a needle and concomitant parts for stitching work held in the work clamp, an oscillating lever and reciprocating rod for producing the jogging movement of the needle, said reciprocating rod being capable of engagement with said lever at different distances from the fulcrum of the latter, and a rod connected at one end to said lever and having its other end operated on by said cam whereby the reciprocating rod is changed with relation to said oscillating lever, substantially as specified. 5th. In a sewing machine, the combination of a work carrying clamp, mechanism for operating said work clamp, a needle and concomitant parts for stitching work held in the work clamp, and means for producing jogging movement of the needle in different amplitudes comprising a vertically extending rod and a cam under the bed of the machine, substantially as described. 6th. In a sewing machine, the combination of a work carrying clamp a needle and concomitant parts for stitching the work held in the work clamp, means for producing jogging movements of the needle of different amplitudes, and a feed cam for producing a longitudinal movement of the work clamp, said feed cam having dwells at opposite points for suspending the longitudinal movement of the work clamp while the amplitude of the jogging movement of the needle is increased, substantially as specified. 7th. In a sewing machine, the combination of a needle and concomitant parts, means for producing a jogging movement of different amplitudes in the needle, a work carrying clamp, a feed cam for producing a longitudinal movement of the said clamp, and having dwells for suspending longitudinal motion at certain times, and a change cam for moving the work clamp transversely to vary the position of stitches relatively to the middle line of the work clamp at about the time of the beginning of the shifting of the work clamp by the change cam, and at about the time of the end of the shifting of the work clamp by the change cam, substantially as specified. 8th. In a sewing machine, a work clamp consisting of a plate having a large opening, two serrated bars crossing such opening, each of said serrated bars having at the ends resilient supporting arms extending across the line of the other serrated bar, substantially as specified. 9th. In a sewing machine, the combination with the main shaft, a disc affixed to said main shaft and having a protuberance upon one face, of a stop extending adjacent to said disc, and means for locking said stop in position in front of the disc so that the protuberance of said disc will engage the stop as the disc is rotated, substantially as specified. 10th. In a sewing machine, the combination with a main shaft, a needle and means in connection therewith operated by said shaft for reciprocating the needle, a disc moving with said shaft, and having a protuberance upon one face, of a stop extending adjacent to said face and means for operating said stop comprising a spring actuated reciprocating rod having a projection, and a spring actuated lever, said lever being adapted to move in the rear of the projection

when the spring of the rod moves the rod to engage with the said projection to prevent the rod being moved by the protuberance, substantially as described. 11th. In a sewing machine for making buttonholes having side rows of stitches and barring stitches, the combination of a tension device and means for operating as a part of the machine varying the effect of the tension device with reference to the thread while the barring stitches are to be formed. 12th. In a sewing machine for making buttonholes having side rows of stitches and barring stitches, the combination of a tension device and means operating as a part of the machine comprising a cam, for varying the effect of the tension device with reference to the thread while the barring stitches are to be formed. 13th. In a sewing machine for making buttonholes having side rows of stitches and barring stitches, the combination of two tension devices and means for making a change in one of them for said rows of stitches and the barring stitches. 14th. In a sewing machine for making buttonholes having side rows of stitches and barring stitches, the combination of a tension device, a stop mechanism and means for changing said tension device when said stop mechanism operates.

No. 61,629. Velocipede Gear. (*Engrenage de velocipedes.*)



The Welland Vale Manufacturing Company, assignee of Bert Dunbar Harris, all of St. Catharines, Ontario, Canada, 5th November, 1898; 6 years. (Filed 22nd April, 1898.)

Claim.—1st. The combination with the crank shaft and the hub of the rear wheel each carrying a gear wheel, of a hanger supporting the crank shaft and having on its rear side a bracket which is rigidly and permanently secured thereto, a rear bracket carrying the axle of the rear wheel, a non-detachable rear fork tube brazed at its ends to said front and rear brackets, whereby said fork tube forms a permanent part of the bicycle frame, and a shaft removably arranged in said fork tube and provided at its ends with removable gear pinions which mesh with the gear wheels of the crank shaft and the rear wheel hub, substantially as set forth. 2nd. The combination with the crank shaft and the hub of the rear wheel each carrying a gear wheel, of a hanger supporting the crank shaft and having on its rear side an open sided bracket which is rigidly and permanently secured thereto, an open-sided rear bracket carrying the axle of the rear wheel, a non-detachable rear fork tube secured at its ends to said front and rear brackets, a shaft removably arranged in said fork tube, and gear pinions removably mounted on the ends of said shaft in such manner that the shaft can be slid in the hubs of the pinions on the shaft, substantially as set forth. 3rd. The combination with the crank shaft and the hub of the rear wheel each carrying a gear wheel, of a hanger supporting the crank shaft and having on its rear side a bracket a rear bracket carrying the rear wheel axle and composed of a head or disc provided on its rear side with an integral yoke having an integral perforated lug to which the rear axle is secured, a rear fork tube permanently secured at its front end to said hanger bracket and at its rear end to said rear bracket and a shaft extending through said fork tube and supported at its rear end in said rear bracket and provided at its ends with removable pinions which mesh with the rear wheels of the crank shaft and the rear wheel hub and which are secured to the shaft by screw nuts or similar fastenings, the shaft being free to slide through the bores of said pinions after removing said fastenings and said front bracket being of the requisite length to permit the shaft to be shifted forwardly sufficiently to detach the rear pinion therefrom, substantially as set forth.

No. 61,630. Graphophone Tablet.

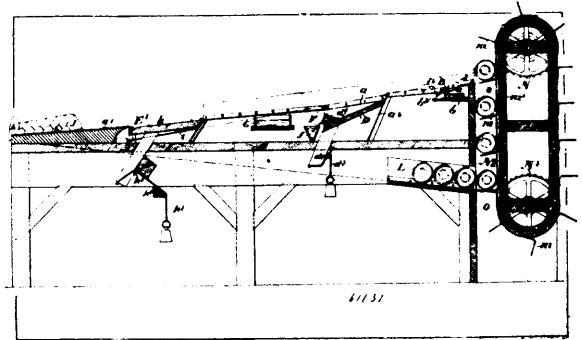
(*Tablette de graphophones.*)

The American Graphophone Company, Washington, D.C., assignee of Thomas H. Macdonald, Bridgeport, Connecticut, U.S.A., 5th November, 1898; 6 years. (Filed 15th April, 1898.)

Claim.—1st. The process of making a sound-recording material by dissolving aluminium in soda lye, and adding the solution to stearic acid, substantially as described. 2nd. The process of making a sound-recording material by melting stearic acid, free from glycerine and oleates, adding thereto soda lye and aluminium, and heating the mass, substantially as described. 3rd. In a process of making sound-recording material, the improvement consisting in adding to stearic acid soda lye in which a metal such as aluminium has been incorporated in such quantity as to produce partial saponification, and heating the mixture, substantially as described. 4th. The process of making a graphophone tablet by forming a soda lye,

heating to about its boiling point, dissolving a small quantity of aluminium therein, heating pure stearic acid to about the same temperature, adding the solution, continuing the heating until the moisture is expelled, moulding into the desired shape and then quickly cooling, substantially as described. 5th. The process of making sound-recording material, by dissolving aluminium in a soda lye, adding the same to stearic acid, heating the mixture, and adding a softening material such as paraffin, substantially as described.

No. 61,631. Method of and Machine for Labelling and Wrapping Tins and Vessels. (*Méthode et machine pour étiquetter et envelopper les boîtes de fer blanc, etc.*)



Samuel Fyfe, 46 Nott Street, Port Melbourne, and Walter Chamberlain Peacock, Equitable Buildings, Collins Street, Melbourne, both of Victoria, Australia, 5th November, 1898; 6 years. (Filed 9th July, 1898.)

Claim.—1st. In a machine for labelling or wrapping tins and other vessels a roller mounted upon pivoted arms and an inclined support for same arranged as shown and for the purpose specified. 2nd. In a machine for labelling or wrapping tins and other vessels a roller for applying adhesive material in combination with a series of small wires arranged parallel to and a short distance from the surface of said roller, substantially as and for the purpose described. 3rd. In a machine for labelling tins and other vessels, a wire revolving in suitable bearings and extending across the rear ends of the labels substantially as and for the purpose described. 4th. In a machine for labelling tins and other vessels a label support made with two inclined surfaces *d d'*, substantially as and for the purpose described. 5th. In a machine for labelling tins and other vessels a label support *G*, projecting under a wire *E*, and having the part projecting under said wire arranged at such an angle that it will bend the end of the label backwards or inwards to an angle of about 90° as it is being withdrawn from under said wire, substantially as and for the purpose described. 6th. In a machine for wrapping tins and other vessels a counterbalanced vertically adjustable wrapper support having a weighted cord *h'*, passed over a fixed bar other support *h''*, substantially as and for the purpose specified. 7th. In a machine for labelling or wrapping tins and other vessels a pivoted paste carrier *F*, connected by a cord or other connecting device with the rocking spindle of a roller *B*, used for applying adhesive material to the tins or other vessels and designed to be depressed by the passage of the tin or other vessel over it, substantially as and for the purpose described. 8th. In a machine for labelling tins and other vessels a small spring catch *d'*, bearing against and cutting slightly into the edges of the pile of labels, substantially as and for the purpose specified. 9th. In a machine for wrapping tins and other vessels folding guide wires *J*, arranged substantially as and for the purpose described. 10th. In a machine for wrapping tins and other vessels, the fingers *K*, for smoothing down the folds in the ends of the wrappers, substantially as and for the purpose described. 11th. In a machine for labelling or wrapping tins and other vessels, as inclined race *L*, leading from the delivery end of the machine back to the opposite end, in combination with an endless travelling carrier or elevator *M*, substantially as and for the purpose described. 12th. In a machine for labelling and wrapping tins and other vessels, an endless travelling belt *P*, in combination with supporting guides or rails formed with depressions *p*, substantially as and for the purpose described. 13th. In a machine for labelling and wrapping tins and other vessels, and endless travelling pneumatic belt *P*, substantially as and for the purpose described.

No. 61,632. Method of Treating Separated Milk.

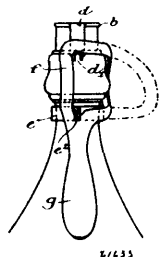
(*Méthode de traitement du lait*)

Hubert Higgins, Cambridge, England, 5th November, 1898; 6 years. (Filed 16th March, 1897.)

Claim.—1st. The method of procuring a commercial food product from separated milk which consists in treating the milk with a dilute solution of hydrochloric acid, and afterwards freeing the precipitated caseinogen from the supernatant liquid and drying it, substantially as described. 2nd. The method of procuring a commercial food product from separated milk which consists in treating the milk with a

dilute solution of hydrochloric acid substantially in the proportion of 10 parts of the milk to 1 part of a 5 per cent solution of hydrochloric acid and afterwards freeing the precipitated caseinogen from the supernatant liquid and drying it, substantially as described. 3rd. As a food, a mixture of substantially 4 parts of carbohydrate fats and salts and 1 part of caseinogen, substantially as described. 4th. As a food, a mixture of 88 to 94 parts of dried caseinogen and 6 to 12 parts of gluten, substantially as described.

No. 61,633. Bottle Stopping Device.
(*Bouchon de bouteille.*)



Albert Thiems, Lehmweg, 33 Hamburg, German Empire, 5th November, 1898; 6 years. (Filed 20th August, 1898.)

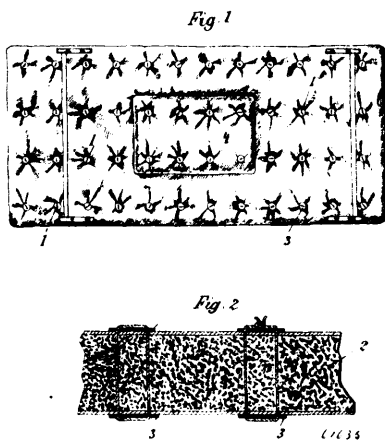
Claim.—A stopping-device removable from a vessel, characterized by a ring in halves *c*, encircling the vessel and linked into it the hasp *b, c, d*, catching the stopper, the ends of the split ring as well as of the hasp *b, c, d*, constituting projections opposite one another *e², d¹*, over which is placed a hoop acting as a lever, with a sector nearly of the shape of a rectangular triangle *f*, in the direction of the cathetus *A, B*, its hypotenuse *f¹*, forming a curve and destined to produce a gradual contraction of the projections *d¹*, and *e²*, the corners of the cathetus *A, B*, being somewhat rounded out *a²*, and *f²*, securing the closing position.

No. 61,634. Explosive. (*Explosif.*)

Paul Cornet, Verviers, Belgium, 5th November, 1898; 6 years. (Filed 1st April, 1898.)

Claim.—The addition to the mixture of nitrates and nitro naphthalene compounds of variable explosive power, of resins dissolved in alcohol for the purpose of enabling said mixture to take place in the cold and furthermore the addition of Quebracho saw dust in order to absorb a portion of the carbonic acid gas, generated during the explosion.

No. 61,635. Mattress. (*Matelas.*)



Otto William Gröllmann, Billwärder, Hamburg, Prussia, 5th November, 1898; 6 years. (Filed 6th October, 1898.)

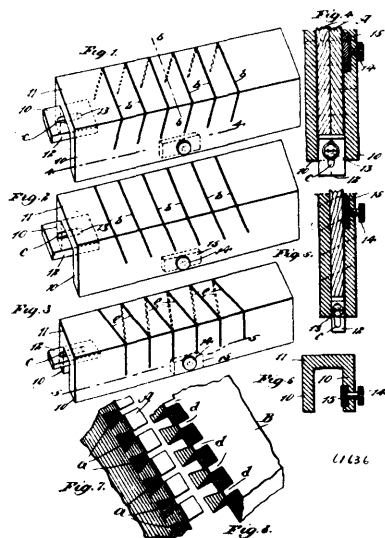
Claim.—The improved buoyant mattress with cork filling whereby the cork filling 2 is secured in place by the number of stitches 1, preferably passing through the discs 3 for additional security, whereby the form of the mattress is retained, substantially as described.

No. 61,936. Mitre Box. (*Boîte à angle.*)

Thomas Musgrove Griffith, New York City, New York, Canada, 5th November, 1898; 6 years. (Filed 6th October, 1898.)

Claim.—1st. A mitre-box inverted-U shape in cross-section and provided with guide-kerfs extending through the top and drawn into the sides of the box, said kerfs being similarly inclined in parallel planes and evenly spaced apart, substantially as described. 2nd.

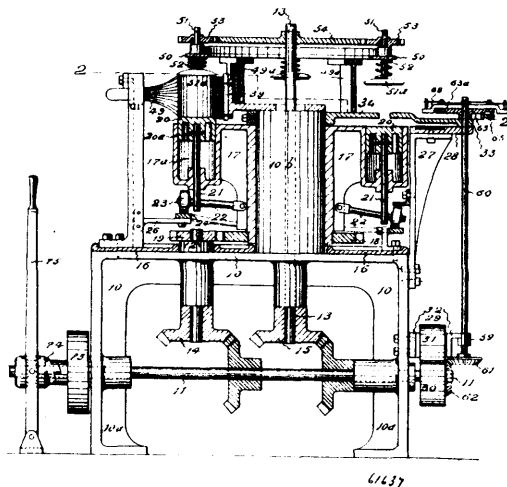
A mitre-box inverted-U shape in cross-section and provided with guide-kerfs extending through the top down into the sides of the



box, said kerfs being similarly inclined in parallel planes and evenly spaced apart, and a longitudinally-adjustable gauge-block on the under surface of the top at one end thereof, substantially as described. 3rd. A mitre-box, comprising spaced sides, one of which is recessed and a top integral therewith, the top and sides being provided with kerfs extending through the top and down into the sides, said kerfs being similarly inclined in parallel planes and evenly spaced apart, a slotted gauge-block on the under surface of the top, at one end thereof, a set-screw passing through the slot of the block into the top, a clamping-plate in the recess of the side, and a set-screw passing through the said side of the box and engaging the clamping-plate, substantially as herein shown and described.

No. 61,637. Can Washing Machine.

(*Machine à laver les boîtes de fer blanc.*)



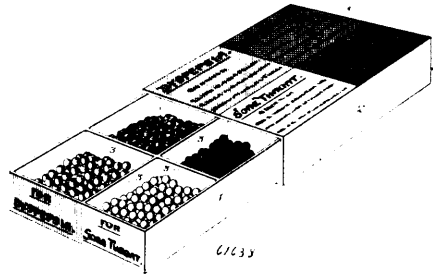
James Des Brisay, New Westminster, British Columbia, Canada, 5th November, 1898; 6 years. (Filed 7th October, 1898.)

Claim.—1st. In combination with the rotary carriage having the upwardly movable supports for cans, a ring 50 rigidly fixed to and at a suitable distance above the carriage, spindles having discs 51^a journaled therein, pinions on the upper ends of said spindles, a wheel 54 secured to the vertical shaft 13, which meshes with the pinions and travels in an opposite direction to the pinions, and the rotary carriage whereby the said spindles and discs will be revolved rapidly as they pass round. 2nd. In a machine for washing cans, the combination with a rotary can carriage 17 having upwardly movable can-supports 20, and means for elevating and depressing the same, of a brush supporting frame 38 adjustably fixed above the axis of the rotary carriage, and having brushes on its outer side presented in an arc form to the inner path of passing cans, of a water-box 41 having the flat or blade-like outlet suspended in proximity to the outer path described by the cans, and means for

ejecting water or steam therefrom, and of whisk brushes 47 arranged in a frame 48 so that as the cans are carried round they will be brushed, as specified. 3rd. In a can washing machine, the combination with the frame 10, having upwardly projecting column 10^b, and the rotary carriage arranged to turn thereon, and upwardly movable can supports in such carriage, of a ring 50 rigidly connected to and supported above the rotary carriage, spindles arranged to turn in said ring and to have slight vertical movement in bearings directly over the can supports in the table, can engaging covers on the depending ends of said spindles and pinions secured to the upper ends of the same, of a shaft 13 passing vertically through the column 10^b, a gear wheel 54 secured to the top end thereof and the same meshing with the pinions on the spindles, and means for imparting an opposite movement to the shaft 13 to that of the carriage 17 and ring 50 whereby the spindles will be revolved rapidly on their planetary movement round the wheel 54. 4th. In combination with the frame and the rotary carriage having the vertical movable can supports therein, and means for raising and depressing the same, as specified, a ring 50 fixed to and supported above the table, vertical movable spindles in such ring, can closing members on such spindles, springs interposed between the ring and the can closing members, whereby they will be pressed downwards, means for rotating the spindles at comparatively a high speed, and for introducing a can between the upwardly movable can supports and the revolving discs or closures and of passing the can through a hot-water spray-bath and between brushes arranged in its path, as specified. 5th. In combination with the frame 10 and the rotary carriage mounted thereon, having the can supports 20 arranged to turn on stems 21, and means for raising and lowering same at intervals, of a ring secured to and at some distance above the rotary carriage, rotatable can closures 51^a journaled in said ring at intervals over the can supports, and means for introducing cans between the supports 20 and the closures 51^a, and for moving the cans upward and thus compacting them with the closures and supports while being revolved against the aqueous bath and the brushes, as specified. 6th. In combination with the frame 10 with the upwardly projecting column 10^b, and a rotary can table thereon and means for passing cans thereon, of the brushes 39 adjustably fixed and projecting into the inner side of the path of the cans, a hot water supply arranged on the other side of the can track and whisk brushes 47 fixed in a vertical, adjustable frame 46, for the purposes as specified. 7th. In a machine for the purposes described in combination with a rotary carriage having the vertical movable can supports therein and the can closures above the said supports, a shaft 11 and transmitting gears 14, 19 and 18 imparting a slow movement to the table 17, a shaft 13 having movement imparted thereto by the gears 15, which is two to one in relation to the movement of the table 17 and in the opposite direction, and means of imparting comparatively fast movement to the can closures from the shaft 13, as set forth. 8th. A can washing machine having the frame 16 and a rotatable can carrier and vertical moveable and rotatable can supports therein, means for passing cans round a common centre on the support in the carrier, and for moving said cans upward and compacting them; with rapidly revolving closure members above, whereby the cans will be closed and revolved by such closure members, and brushes arranged on each side of the can path, as specified. 9th. In a can washing machine, a water box 41, divided into sections 41^a and 41^b for the discharge of the water, members 41^c in the outlets, and means for adjusting the same to control the discharge, as set forth. 10th. In a can washing machine having a frame 10 and a rotatable can carrier mounted thereon, and means for passing cans thereon in a rotary manner, a rigidly fixed brush to engage in the inner sides of the can-track, in combination with a water-box 41 supported on standards 42 and 43, and a brush frame 46 supported by the standard 43, and a similar one 45, the water-box and the said brush-frame forming an arc round the outer path described by the cans, and of slots 43 in said standards for raising or lowering the water-box and brush-frame, as specified. 11th. In a machine of the class described having the frame 10 with the column 10^b and the rotary can carriage mounted thereon and guide-brackets 33 and 34 connected with the said column and passing horizontally over a feed-belt 29 and connecting with the outer side of the machine's frame, in combination with a trigger mechanism, 56 having the fingers 56^a for spacing the cans, as specified. 12th. In a machine for washing cans having the rotary can carriage with a crescent-shaped frame 28 on one side thereof, and an endless feed and delivery belt passing thereover, and means for passing cans from and to said belt, a slot 28^a in the outer side of said crescent frame, a pin 57 secured therein, a trigger pivoted on said pin having fingers thereon, projecting laterally over the said belt, a slot 28^b, in the frame 28, lying parallel with the belt from the slot 28^a, a pin 64, in said slot, a lever 65 fulcrumed on said pin, a slot 56^b, in the rear end of the trigger, a sliding pin 58, in said slot, means for holding the pin 58, normally to the inner side of the slot 56^b, and means for oscillating the lever 65, whereby the fingers of the trigger will be thrust into the track of the cans. 13th. A can feed mechanism in combination with an endless feed belt for feeding cans to a rotary carriage, and for delivering the same therefrom, a trigger mechanism having lateral alternately movable fingers 56^a, which engage and retard the cans, and a rotatable elliptical cam mechanism 63, having resilient arms 63^a, projecting from its major axis, which feeds four cans to the carriage for each revolution thereof. 14th. A feed mechanism for cans, in combination with an endless belt for supplying cans to and delivering same from a rotary carriage in combination with a

crescent frame 28, for the said belt to pass over on a plane with said carriage, a trigger 56 pivoted to the frame 28, a cam 63 arranged to turn on a shaft 60, at a speed two to one to the carriage, a lever 65 fulcrumed on the frame 28, the one end of which connects with the elliptical groove in the cam 63, and the other end lies against a slidable pin 58, in the trigger 56, which pin is normally a fixed point in the trigger whereby the same will be turned back and forth on its pivot, as and for the purposes set forth. 15th. In combination with a can washing machine having the frame 10, and the rotary can carriage mounted thereon, and the concave guide guides for passing cans to and from the carriage, the endless feed belt 29, for supplying the cans to the carriage and delivering them therefrom, as specified.

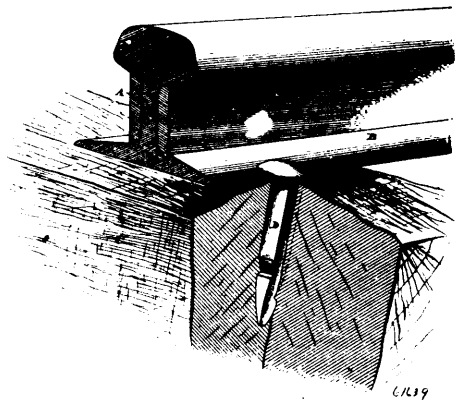
No. 61,638. Box or Package. (*Boîte ou paquet.*)



Henry Theodore Mason, Philadelphia, Pennsylvania, U.S.A., 5th November, 1898; 6 years. (Filed 8th October, 1898.)

Claim. 1st. The combination of a box containing medicinal pills or tablets of different colours, with a cover or casing containing spaces coloured to correspond with the pills or tablets, each coloured space containing information concerning its respective pills or tablets, substantially as specified. 2nd. The combination of a compartment box each compartment containing medicinal pills or tablets of a colour distinguishing them from those in each of the other compartments, with a cover or casing having spaces coloured to correspond with the different colours of the pills or tablets, each coloured space corresponding as to position with the compartment containing the correspondingly coloured pills or tablets, and having information concerning the latter, substantially as specified. 3rd. The combination of a compartment box having in each compartment medicinal pills or tablets of a colour distinguishing them from those in each of the other compartments, said box being combined with a cover or casing and having a wall or walls of each compartment coloured to correspond with the colour of the pills or tablets contained in said compartment, substantially as specified. 4th. The combination of a compartment box having in each compartment medicinal pills or tablets of a colour distinguishing them from those in each of the other compartments, said box being combined with a cover or casing and having a wall or walls of each compartment coloured to correspond with the colour of the pills or tablets contained in said compartment and containing information relative to said pills or tablets, substantially as specified. 5th. The combination of a compartment box having in each compartment medicinal pills or tablets of a colour distinguishing them from those in each of the other compartments, said box having a wall or walls of each compartment coloured to correspond with the colour of the pills or tablets contained therein, and being combined with the case or cover having spaces corresponding as to colour and position with the coloured portions of the box, substantially as specified.

No. 61,639. Railway Spike. (*Chevillon de chemin de fer.*)



Michael Smith and Patrick McMahon, West Bay City, Michigan, U.S.A., 5th November, 1898; 6 years. (Filed 8th October, 1898.)

Claim.—1st. A railway spike provided with straight sides extending from the neck or under side of the head through a greater portion of the length, and tapered from thence to the point of the spike, the two straight portions of two opposite sides being separated by notches, substantially as described. 2nd. A railway spike provided with straight sides extending from the neck or under side of the head through a greater portion of the length, and tapered portions from the lower end of said straight side to the point of the spike, the straight and tapered portions being separated by notches in two opposite sides, the upper straight portion of one side being lower than that of the other side, whereby the notches are not located at opposite points, substantially as described. 3rd. The railway spike herein described, provided with the ordinary side-projecting head, the front and back being swell tapered from the neck to the point of the spike, said point being chisel-shaped, and the sides being formed with two swell tapers, one extending from the point upward and the other from the neck downward, said swell tapers being connected by ledges or shoulders inclined inwardly and upwardly and located at different points in the length of the spike, substantially as described.

No. 61,640. Pneumatic Straw Stacker.

(*Machine pneumatique pour ameulonner.*)

Fig. 1.

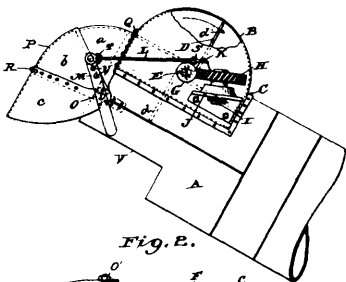
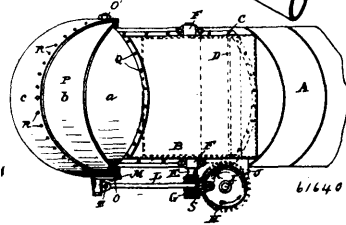


Fig. 2.



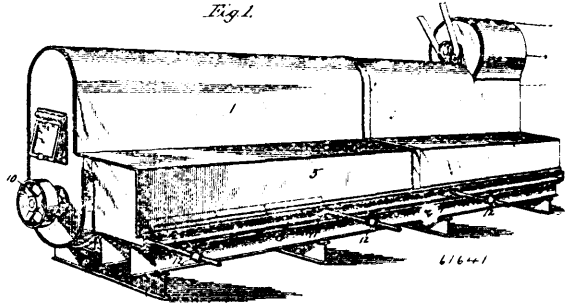
Jacob Walker Miller and Edward Huber, both of Marion, Ohio, U.S.A., 5th November, 1898; 6 years. (Filed 8th October, 1898.)

Claim.—1st. In a pneumatic straw-stacker, the combination with a pneumatic delivery-pipe, of a hood, and its operating device actuated by air-currents delivered by said pneumatic pipe, whereby said hood will direct the discharging straw to different places. 2nd. In a pneumatic straw-stacker, the combination with a pneumatic delivery-pipe, of a hood mounted thereon and adapted to direct the discharging straw in different directions, and operating devices for said hood including a fan arranged to receive operating air-currents from said pneumatic pipe. 3rd. In a pneumatic straw-stacker, the combination with a delivery-pipe, of a fan carried thereby and projecting within said pipe, a hinged hood extending over the end of said delivery-pipe, and mechanism between said fan and said hood whereby when the fan is operated said hood is also operated. 4th. In a pneumatic straw-stacker, the combination with a delivery-pipe, of a fan having a shaft carried thereby and projecting within said pipe a hood hinged to said pipe and adapted to extend across and be removed from the end of said pipe, and mechanism between said fan and said hood whereby when said shaft is operated said hood is also operated. 5th. In a pneumatic stacker, the combination with a delivery-pipe, of a fan having a shaft carried thereby and projecting therein, a worm on said shaft, a worm-driven gear meshing with and driven by said worm, a swinging hood hinged to said pipe, and a pitman connecting said hood and said driven gear whereby motion is transmitted from said gear to said hood. 6th. In a pneumatic stacker, the combination with a delivery-pipe, of a fan carried thereby having a worm on its shaft, a worm-driven gear meshing with said worm, a hood hinged to said pipe, a crank secured to said hood, and a pitman connecting said driven gear and said crank and adjustable on said crank, whereby when the fan is driven, the hood is vibrated across the outer end of said delivery-pipe. 7th. In a pneumatic stacker, the following instrumentalities:—a pneumatic delivery-pipe, a fan and its casing carried thereby, said fan extending within said delivery-pipe, and having a shaft with a worm, a worm-driven gear meshing therewith and carried by said casing, a hood hinged to said pipe, a crank secured to said hood and having a

series of holes, a pitman having a vertical joint and a horizontal joint therein connecting said crank and said driven worm-gear and adapted to engage with any one of said holes in said crank, substantially as shown and described.

No. 61,641. Drier. (*Sechoir.*)

Fig. 1.

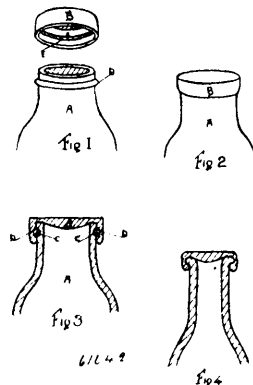


Valerius D. Anderson, Cleveland, Ohio, U.S.A., 5th November, 1898; 6 years. (Filed 13th September, 1898.)

Claim.—1st. In a drier, the combination of a chamber, a rotary shaft in the lower part of said chamber, provided with beaters, an air inlet on the descending side of said shaft, and a guard covering said inlet and serving to direct the air downward toward the bottom of the chamber, and to exclude material from the inlet. 2nd. A drier, consisting of a shell or casing, a rotary beater located in the lower part of said casing and extending lengthwise thereof, a heating chamber extending lengthwise of the shell, a flue or passage connecting the heating chamber and the interior of the shell or casing, and means substantially as described and shown for controllably heating the air in said chamber. 3rd. The herein described heater, consisting of a shell or casing 1, a rotary beater 3, 4, located in the lower part of said casing, means for rapidly rotating said beater, a heating chamber 5 extending lengthwise of the shell or casing, a flue 2 connecting the casing and the heating chamber at a point above the axis of the beater, heat-controlling devices for regulating the temperature in different portions of the heating chamber, and an exhausting device for withdrawing air from the shell or casing. 4th. In a drier, the combination of a shell or casing, a rotary beater located within said casing, an air inlet at one side of the casing, and a shield or guard extending downward from the upper side of the air inlet to a point near the periphery of the beater, whereby air drawn in by the beater is directed downward into the mass of material in the lower part of the casing. 5th. In a drier, a shell or casing having upright side walls connected at the top, and a curved bottom forming a continuation of one side wall but extending outward and upward beyond the lower edge of the other side wall substantially as shown, whereby an inlet flue is formed, and the lower edge of the side wall is made to serve as a wall and guard for said flue.

No. 61,642. Bottle Sealing Device.

(*Appareil à sceller les bouteilles.*)

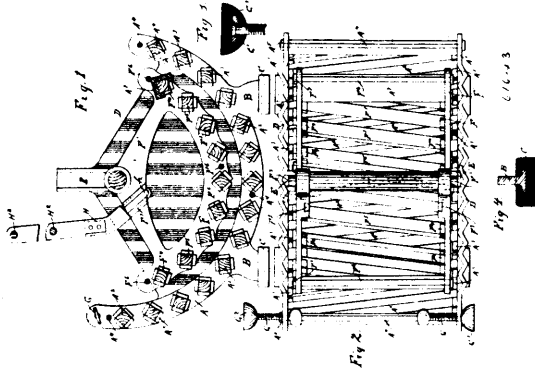


Henry Harding and Thomas Oliver Harding, both of Markham, York, Ontario, Canada, 5th November, 1898; 6 years. (Filed 1st October, 1898.)

Claim.—1st. The combination, in any bottle, jar or pot, made of glass, earthenware, metal or other suitable material or the body of one material and the cap of another, of a bottle, jar or pot having a groove on the outside of the neck of the bottle, jar or pot of sufficient depth to receive one-half a rubber ring so as to allow the remaining one-half of the rubber ring to project above the surface of the outside of the neck of the bottle, jar or pot, a rubber ring to

fit into the groove in the neck of the bottle, jar or pot, and a cap having a corresponding groove cast in the inside of the flange of the cap to receive the remaining one-half of the rubber ring when the cap is fitted to the neck of the bottle, jar or pot, all substantially as set forth. 2nd. In any bottle, jar or pot, a cap made of vulcanized rubber having a circular groove in the inside of the cap to fit on the ring at the mouth of any bottle, jar or pot, substantially as set forth.

No. 61,643. Washing Machine. (*Machine à laver.*)



Lehman Weil, New York City, New York, U.S.A., 5th November, 1898; 6 years. (Filed 3rd October, 1898.)

Claim.—1st. A collapsible washing-machine, comprising a rack with legs thereon adapted to rest within a tub, said rack being segmental in cross section and composed of end walls and cross-bars, the said end walls being serrated or corrugated upon their inner surfaces, and a rocker journalled by means of extended trunnions in vertical grooves or sockets in the end walls of the said rack, the said rocker having a removable operating handle attached thereto, substantially as shown and described. 2nd. As a new article of manufacture, in a collapsible washing machine, the combination of a rack adapted to rest within a tub, with a rocker journalled in the end walls of said rack, the said rack being composed of closed end walls having interior corrugations thereon and cross-bars or slats and cross-bolts and nuts for maintaining the end walls and cross-bars in rigid engagement with each other, substantially as shown and described. 3rd. As a new article of manufacture, a washing machine adapted for use in connection with an ordinary tub and embodying a fixed rack which is segmental in cross section and is composed of end uprights, walls and cross-bars whose ends engage sockets of said walls, the said end walls being corrugated upon their interior surfaces and being connected to each other by means of cross-bolts, whereby the rigidity of the structure is maintained and cross rods are securely retained within the said sockets, in combination with a rocker journalled in the end walls of the said rack, said rocker comprising end frames of segmental contour and cross-bars or rubbers, said bars engaging sockets in the end frames of the said rack, the end walls of the rack being held together by cross-bolts, and a removable handle for operating the rocker, substantially as shown and described. 4th. In a washing machine, a segmental fixed rack consisting of corrugated side members having sockets therein and parallel bars connecting said side members and engaging the said sockets, and removable bolts and nuts connecting and holding said structure together, thumb screws adapted to hold the rack in position in the tub and legs supporting the device, said legs being provided with cushions adapted to prevent injury to the tub, and said thumb screws having rubber caps upon their outer ends, the side walls of said rack being corrugated and provided with sockets to accommodate the rocker trunnions, with a rocker consisting of side members provided with quadrangular sockets, parallel rubbing bars fitted into said sockets, removable rods and nuts connecting said side members and holding the structure together, supporting trunnions adapted to fit into the sockets on side walls of the said fixed rack and upon which the rocker swings, a removable handle, said handle consisting of side and cross-pieces, said side pieces being adapted to slide into suitable sockets on said rocker side members, substantially as shown and described.

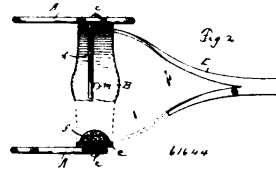
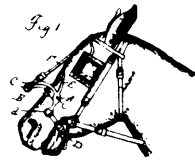
No. 61,644. Chin Rest for Horses.

(*Appui pour sous-barbes de chevaux.*)

Charles S. Baum, Williamsport, Pennsylvania, U.S.A., 5th November, 1898; 6 years. (Filed 4th October, 1898.)

Claim.—1st. In a governor for horses, the combination with the nose-band thereof having a spring within the same, of angular levers pivotally connected to the nose-band, said connection being at and within the angle of said levers, overdraw-rings on said levers for attachment to the overdraw or check, and chin-strap rings on the levers for attachment of the chin-strap, so that the pressure on the chin-strap and overdraw will be uniform. 2nd. In a governor for

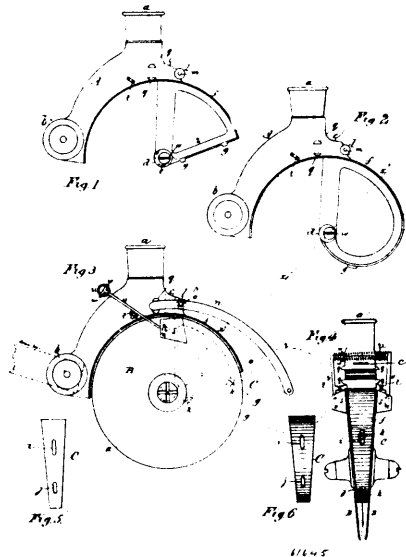
horses, the combination with the angular levers thereof, of a nose-band pivotally connected to and lying within said levers, the pivotal



connection being at the angle of said levers, rings on each of the free ends of the levers for attachment of the overdraw and chin-rest straps, and face-pieces connected with the nose-band, so that the nose-band may be properly adjusted upon the horse.

No. 61,645. Seed Drill Disc Shoe.

(*Sabot à disque pour semailles en lignes.*)



William Stephenson, Morris, Manitoba, Canada, 5th November, 1898; 6 years. (Filed 8th October, 1898.)

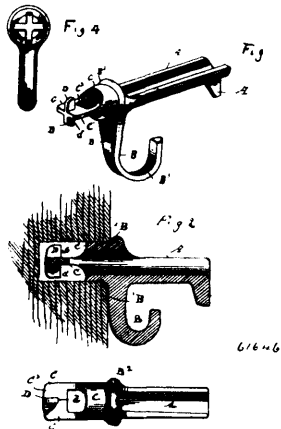
Claim.—1st. In a seed drill, the combination of a grain spout, revolving discs mounted on axles upon the opposite sides thereof, and a tapering scraper adjustably mounted upon an arm (straight or curved) of the grain spout and between the discs, below the line α , α' , of contact and widest part of the discs, so as to be self-cleaning and noiseless in operation, substantially as and for the purpose specified. 2nd. A seed drill, the combination of a grain spout, revolving discs mounted upon axles upon the opposite sides thereof, and a bearing projection cast upon the grain spout, by which to bolt arms to carry a press-wheel or fasten a drag-chain, and lugs on the sides of the grain spout to receive and hold the inner ends of the arms, substantially as and for the purpose specified. 3rd. In a seed drill, the combination of a grain spout and oil reservoir, revolving discs mounted upon the axles on the opposite sides thereof, and horizontal oil slots cut in ends of the said axles to facilitate the egress of oil to the axles, substantially as and for the purpose specified. 4th. In a seed drill, the combination of a grain spout, and oil reservoir, revolving discs mounted upon axles on the opposite sides thereof, and side scrapers made to impinge on the discs on a line with the outer periphery of said discs, substantially as and for the purpose specified.

No. 61,646. Sap-Spout. (*Siphon pour la sève.*)

Eben Willis, Colton, New York, U.S.A., 5th November, 1898; 6 years. (Filed 10th October, 1898.)

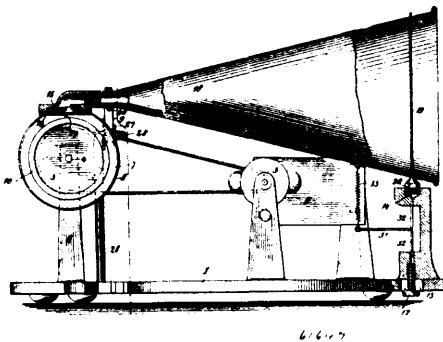
Claim.—1st. A sap-spout provided with a longitudinal channel, a depending hook from said spout, a plugging portion at the rear por-

tion of said hook, bearing extensions from said plugging portion on the sides thereof and of equal width therewith, and anchoring-lugs



projecting from said extensions in opposite directions and of less width than said extensions, substantially as described. 2nd. A sap-spout provided with a longitudinal channel, a cylindrical plugging portion at the rear of said channel, horizontal extensions merged into and of equal width with said plugging portion, a web connecting said extensions at their inner end, and oppositely-extending anchoring-lugs of less width than said plugging portion, substantially as described. 3rd. An improved sap-spout consisting of a body portion with a depending lip at its outer end, a depending hook having a flattened inner face, a rib upon the face of said body portion in the plane of said hook, a cylindrical plugging portion, extensions extending therefrom at the sides thereof, a web connecting the inner end of said extensions, and oppositely-extending lugs carried by said web and of less width than the plugging portion, substantially as described.

No. 61,647. Phonograph. (Phonographic.)



Gianni Bettini, New York City, New York, U.S.A., 7th November, 1898; 18 years. (Filed 25th August, 1897.)

Claim.—1st. In an instrument for reproducing sound, the combination of a revoluble record surface, a horizontal diaphragm located above said surface, a stylus supported only by said diaphragm and located beneath the diaphragm and between it and the record surface, a sound chamber carrying said diaphragm, and a tubular sound conveyor connected to the sound chamber and supported by it at one end and provided with a joint allowing its vertical and lateral movement, substantially as described. 2nd. In an instrument for reproducing sound, the combination of a revoluble record surface, a horizontal diaphragm located above said surface, a stylus supported only by said diaphragm and located beneath the diaphragm and between it and the record surface, a sound chamber carrying said diaphragm and supported by it, and an amplifying horn connected to said chamber and supported by the diaphragm at one end and provided with a joint allowing its vertical and lateral movement, substantially as described. 3rd. In an instrument for recording and reproducing sound, means for transforming a rotary motion and imparting to the stylus-carrying part a motion longitudinally of the record cylinder, said means consisting of a worm wheel and a spiral gear surface formed of a soft material capable of receiving and retaining the track of the worm wheel, substantially as described. 4th. In an instrument for recording and reproducing sound, the combination with the sound chamber having a diaphragm provided with a centrally located stylus carried only by said diaphragm which is located in juxtaposition to the record cylinder, and a part adapted to interchangeably support different

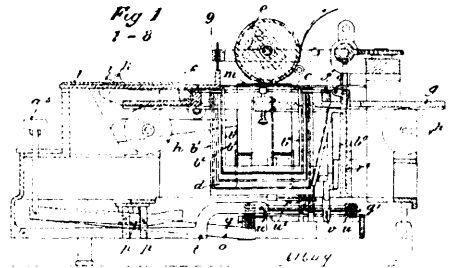
forms of sound conduit, substantially as described. 5th. In an instrument for recording and reproducing sound, the combination of a sound chamber having a diaphragm carrying a stylus and located in juxtaposition to the record cylinder, of an adjustable post consisting of a fixed part 11 and a removable part 21 adapted to interchangeably support different forms of sound conduits, substantially as described. 6th. In an instrument for reproducing sound, a pressure device consisting of a rod having pivotal arms in line with the pivotal point of the stylus carrying part, and a spring attached to said rod end to the stylus carrying part, substantially as described. 7th. In an instrument for reproducing sound, the combination of a pivoted sound conduit having at its free end a horizontal diaphragm carrying a stylus supported only by it at about the centre of the diaphragm, means for moving said stylus carrying part about its pivotal point, means for interchangeably supporting different forms of sound conduits, and a pressure device operating to cause the stylus to press upon the record cylinder at right angles to the axial line thereof throughout its path of movement, substantially as described. 8th. In an instrument for reproducing sound, a pivoted stylus carrying part and a pressure device consisting of a rod having arms pivoted in line with the centre about which the stylus carrying part oscillates, and a spring secured to said rod and to the stylus carrying part, substantially as described. 9th. In an instrument for reproducing sound, a bell-mouthed tube pivoted at its flaring end and a horizontal diaphragm provided with a central stylus carried in the smaller end of the bell-mouthed tube, substantially as described.

No. 61,648. Gold Extracting Process. (Procédé pour extraire l'or.)

John Laudin, 40 Drottninggatan, Stockholm, Sweden, 7th November, 1898; 6 years. (Filed 24th September, 1897.)

Claim.—The process for extracting gold from gold ores or ore waste consisting in leaching same with chlorine or cromine containing or chlorine or cromine-evolving solutions to which are added, before or during the leaching chlorine or cromine compounds of those metals which by free chlorine or cromine can form higher and less constant chlorine or cromine compounds, superchlorides or supercromides.

No. 61,649. Typewriting Machine. (Clavigraphic.)



Fritz Mayer, Meilen at Zurich, Switzerland, 7th November, 1898; 6 years. (Filed 2nd August, 1898.)

Claim. 1st. In a typewriting machine having the types divided in group and having as few keys only as there are such groups, the combination with a carriage adapted to be disposed in the direction to and from said keys, of type-frames b^1, b^2, b^3 , suspended from said carriage, and arranged so as to be adapted to be thrown upwards against the paper and means for transmitting the movement of the said keys to said type-frames, for the purpose as described. 2nd. In a typewriting machine having the types divided in group and having as few keys only as there are such groups, the combination with a carriage adapted to be displaced in the direction to and from said keys, of U-shaped type-frames b^1, b^2 and b^3, b^4 and a type-bar b^5 , suspended from said carriage, and adapted to be swung upwards against the paper, said type-frames being arranged so as to move in a direction rectangularly to that of the carriage, and the type-bar moving in a direction equal with that of the carriage, and means for transmitting the movement of the said keys to the type-frames and the type-bar, for the purpose described. 3rd. In a typewriting machine having the types divided in groups and having as few keys only as there are such groups, the combination with a carriage adapted to be displaced in the direction to and from said keys, of U-shaped type-frames b^1, b^2 and b^3, b^4 , and a type-bar b^5 , suspended from said carriage, and adapted to be swung upwards against the paper, said type-frames being arranged so as to move in a direction rectangularly to that of the carriage, and the type-bar moving in a direction equal with that of the carriage, means for transmitting the movements of the keys to the type-frames, and a double-frame u^1 , intercalated between the type-bar and the key for the same, the parts u^1 , of said double-frame having crooked portions u^2 , serving for uncoupling said frame from the means of transmission, substantially as described. 4th. In a typewriting machine having the types divided in groups and having as few keys only as there are such groups, the combination with a carriage adapted to be displaced in the direction to and from said keys, of

type-frames b^1, b^2, b^3, b^4 , suspended from said carriage and arranged so as to be adapted to be thrown upwards against the paper, axles holding said frames, and located loosely in groove-like bearings of the said carriage, springs adapted to retain the axles in their bearings by suitable intermediate means, and levers arranged so as to transfer the movements of the keys to the said frames, substantially as and for the purposes described.

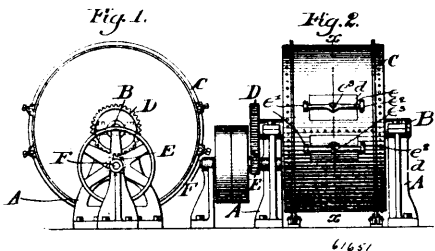
No. 61,650. Process of Waterproofing Textiles.

(*Procédé pour rendre les tissus imperméables à l'eau.*)

Josef Rudolf, Gera Reuss, Germany, 7th November, 1898; 6 years. (Filed 25th June, 1898.)

Claim.—1st. The improv'd process for rendering textile materials, paper, wood substances and the like waterproof and for finishing and protecting them against spottings and moths which consists in conveying on the said materials, substances insoluble in water, such as solid hydrocarbons, resins, stearine and palmetine as well as their metallic compounds, vegetable wax, beeswax and the like in the form of an emulsion of such substances, substantially as hereinbefore described. 2nd. The improved process for rendering textile materials, paper, wood substances and the like waterproof and for finishing and protecting them against spottings and moths which consists in melting solid hydrocarbons, resins, stearine and palmetine as well as their metallic compounds, vegetable wax, beeswax and the like, and conveying the said melted substances on to the materials by means of pressure rollers, substantially as hereinbefore described.

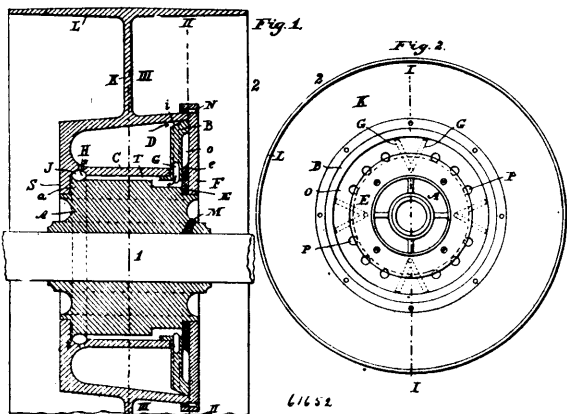
No. 61,651. Tanning Apparatus. (*Appareil à tannage.*)



Edward Henry Dewson, Quincy, Massachusetts, U.S.A., 7th November, 1898; 6 years. (Filed 3rd August, 1898.)

Claim.—An apparatus for quick tanning of hides, skins and the like comprising a plurality of liquor tight compartments, independent of and non-communicating with each other, and severally having a charging hole and cover therefor, and adapted to contain tanning liquor and hides, the several compartments being assembled in a single plane around a common centre of motion, and means to move said compartments in the same path of travel about said centre, substantially as described.

No. 61,652. Pulley. (*Poulie.*)

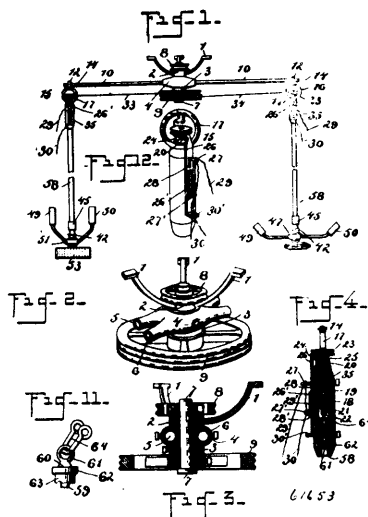


Fred Hazelton Spear, Burlington, Vermont, U.S.A., 7th November, 1898; 6 years. (Filed 6th September, 1898.)

Claim.—1st. A self-oiling pulley, comprising a hub having therein an oil chamber of greater diameter at one end than at the other, and having a bearing surface, and a separate bushing or sleeve within said surface and adapted to be fixed on a shaft or support, one of said parts having a longitudinal duct along said bearing surface, and said parts having at the inner portion of the smaller end of the chamber, a communication with one end of said duct and at the

outer portion of the larger end of the chamber, a communication with the other end of said duct. 2nd. In a self-oiling pulley, the combination with a bushing having a disc formed with inwardly extending ducts, ducts leading from its periphery, and transverse ducts or grooves leading longitudinally across its bearing face, of a pulley having a hub fitting on said bushing, an oil chamber of larger diameter at one end than at the other enclosing said disc at its larger end, the smaller end of said chamber communicating with the rear ends of the said ducts in the bushing, substantially as set forth. 3rd. In a self-oiling pulley, the combination of a bushing having the disc B, and formed with the ducts G, the grooves T, and the annular chamber J, the pulley fitting on said bushing and having the oil chamber D, of greater diameter at one end than at the other end formed with the openings H by which said chamber communicates at its smaller end with said grooves J, and the enclosing cap engaging the bushing and secured to the hub of the pulley, substantially as set forth. 4th. The combination with the pulley having the oil chamber D, of the bushing having the disc B, inclined ducts G, formed in the disc, transverse grooves leading from the inner ends of the said ducts across the hub and bushing between their bearing surfaces, and means whereby the rear ends of said grooves communicate with the smaller end of the oil chamber D, substantially as set forth. 5th. In a self-oiling pulley, the combination of the bushing having the disc B, formed on its outer face with the chamber O, ducts formed in the bushing and extending from the outer portion of the disc inwardly and across the bushing and communicating with the rear end of the oil chamber, the ring B, situated at the outer side of the disc and serving to cover the ends of the ducts, holes G, formed in the disc and leading from the chamber O, to the chamber D, and an enclosing cap F, secured to the hub of the pulley and having the filling aperture, substantially as set forth.

No. 61,653. Hoof Trimmer. (*Appareil à dégrossir les sabots.*)



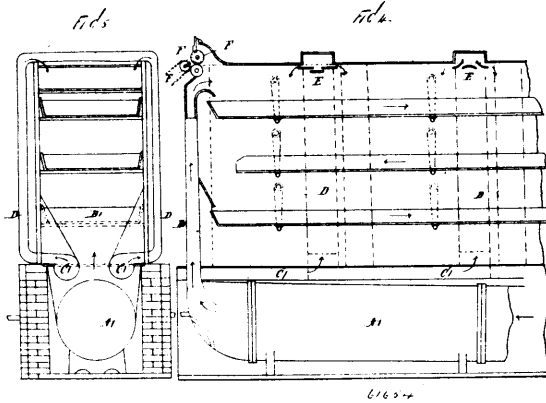
Alvia Byron Smith, Middlebury, Vermont, U.S.A., 7th November, 1898; 6 years. (Filed 10th September, 1898.)

Claim.—1st. In a device of the class described, the combination with a hanger bracket having a hub, of a shaft journaled in the hub, pulleys carried by said shaft, an arm connected to the hub, a rotary tool carried by the arm and operated by a pulley, and a belt running over the tool and a pulley of the shaft. 2nd. In a device of the class described, the combination with a hanger bracket having a hub, of a shaft journaled in said hub, pulleys carried by said shaft, a coupling on the hub which has sockets, hanger rods secured in the sockets and extending in opposite directions, flexible shafts depending from the hanger rods, tools carried by said shafts, pulleys on the shafts and band running over the said pulleys and on the shaft journaled in the hub. 3rd. In a device of the class described, the combination with a hanger coupling and a spindle journaled therein, of a tool actuated by the spindle, a clutch carried by the spindle, a pulley running on the spindle and provided with a clutch, and means for shifting the pulley. 4th. In a device of the class described, the combination with a hanger coupling, of a spindle journaled therein, a tool operated by said spindle, a clutch member on the spindle, a pulley running on the spindle and having a clutch member, a shiftable shifter connected to the hanger coupling and adapted to actuate the tool, an eye secured to the hanger coupling, and cords connected to the shifter, one of which passes through the eye. 5th. In a device of the class described, the combination with a hanger coupling, of a spindle journaled therein, a tool operated by the spindle, a pulley running on the spindle, a shifter for said pulley, a spring connected thereto, a locking pin connected to the spring and adapted to work through an opening in the shifter and be received in openings in the

hanger coupling, an upper eye and cords both of which are connected to the lower portion of the shifter and one of which runs through the locking pin and through the upper eye. 6th. In a device of the class described, a tool holder consisting of a shank having a means for holding the tool and provided with a collar, a box that loosely encircles the shank and abuts on the collar, and a nut on the shank which abuts on the box. 7th. In a device of the class described, a tool holder comprising a shank having tool holding means and provided with a collar, a box loosely encircling the shank and provided with an enlarged mouth and an inner shoulder, which mouth receives the collar and the shoulder abuts thereagainst, a nut secured on the shank and abutting against the other end of the box, and a coupling sleeve fitted over the box. 8th. In a device of the class described, a tool holder comprising a shank and tool holding means carried thereby, a box loosely encircling the shank, and arms or handles pivoted to the box on opposite sides and adapted for attachment. 9th. In a device of the class described, a tool holder comprising a shank having tool holding means, a box loosely encircling the said shank, clamping members encircling the box, handles fitted in between the end of the clamp members and bolts passing through the handles and the clamp members. 10th. In a device of the class described, a flexible shaft comprising interlocking links having shoulders, and separable boxes encircling the links and located between the shoulders. 11th. In a device of the class described, a flexible shaft comprising links interlocked with each other and having shoulders, and boxes encircling the links between the shoulders and formed in separable halves, and bands encircling the sections of the boxes and holding them together. 12th. In a device of the class described, a flexible shaft comprising links interlocked with each other, and a hook made from a single piece of material which is interlocked with the last link and has its ends bent into separated hooks.

No. 61,654. Wool Drying Apparatus.

(Appareil à sécher la laine.)



John Fielden, Rochdale, Lancaster, England, 7th November, 1898; 6 years. (Filed 9th March, 1898.)

Claim.—1st. In an apparatus of the character described, a feeding mechanism consisting of a plurality of rollers, steam cylinders mounted in each of said rollers and in communication with a boiler and metal cores concavo-convex in form and in cross section mounted in each of said cylinders, substantially as and for the purpose described. 2nd. In an apparatus for drying, carbonizing or cooling fibrous or other material, the combination of a plurality of trays or tables mounted one above another in a suitable casing, and capable of intermittent longitudinal movement, said trays being supported by suitable hangers, and each being provided at the end thereof with a lug or projection, a cam plate mounted adjacent thereto and provided with means for revolving the same, said cam plate being each adapted to engage the corresponding lug or projection for a predetermined part of its revolution, a lug or projection secured to the bottom of each of said trays and a corresponding lug or projection secured to the sides of the said casing and adapted to engage the same, substantially as and for the purpose described. 3rd. In an apparatus for drying, carbonizing or cooling fibrous or other material, the combination with the shaking trays of a supplemental shaker consisting of a reciprocating plate mounted beneath the end of one of the shaking trays, a crank arm secured thereto, said crank arm being pivotally and eccentrically connected with a revolving disc, substantially as and for the purpose described.

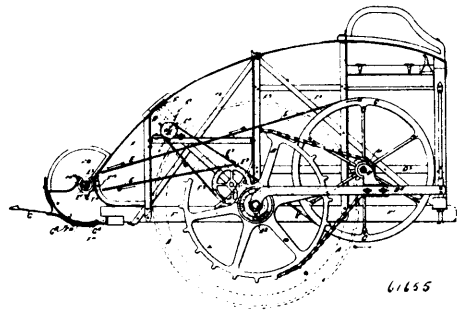
No. 61,655. Grain Stripping Machine.

(Machine à éplucher le grain.)

Edward Paul Dignan, Wilmington, South Australia, 7th November, 1898; 6 years. (Filed 24th March, 1898.)

Claim.—1st. In combination with the road wheel and its axle upon which said wheel is journaled, a sprocket or gear wheel also

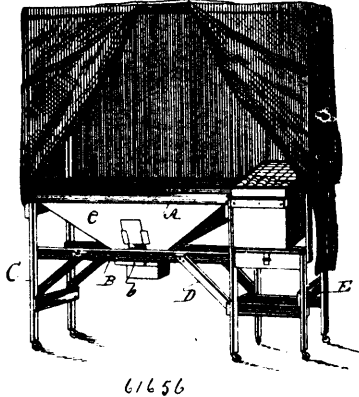
journaled upon the axle for imparting motion to the operative parts, and clutch mechanism for connecting and disconnecting



the said two wheels, all as described. 2nd. In combination with the road wheel and its axle, a wheel also journaled upon said axle outside of said road wheel and arranged to be operated by the same, and also arranged to impart motion to the operative parts, the machine body having its sides near the road wheels, and one side cranked or bent away from the near wheel, all as described. 3rd. In combination with the road wheel and its axle, a bar supported on said axle outside of the road wheel, the fly wheel, and the axle of said wheel supported on said bar and on a portion of the machine frame, all as described. 4th. In combination with the fly wheel and the axle supporting said wheel, a pinion or other wheel secured to or integral with said fly wheel, and to which motion is imparted by the traction wheel, and said fly wheel and pinion enclosed between two sides of the frame that supports the fly wheel axle, as described. 5th. In combination with the fly wheel and a pinion or other wheel to which motion may be transmitted keyed to or integral with said fly wheel, and a fixed axle supported on the machine frame, and on which said wheels are loosely journaled, substantially as described. 6th. In combination with a damp weather thresher and its operating pulley, the fly wheel, the said wheel and pulley connected by belting whereby the revolution of said fly wheel in either direction will actuate the pulley by a pulling motion from the fly wheel, as described. 7th. In combination with the main axle for supporting the traction on road wheels, vertical standards secured to and extending upward from said axle, stays extending diagonally downward from the upper ends of said standards, and the lower ends of said stays connected with and supporting the body of the machine, as described. 8th. In combination with the box or body of the machine, the roof or apron extending from said box or body on its off side in a substantially straight line over the off side wheel, all as and for the purpose described. 9th. In combination, the machine body having its sides near the road wheels, and at one side cranked or bent away from the near wheel, and the roof or apron extending from said box or body on its off side in a substantially straight line over the off side wheel, all as and for the purposes described. 10th. In combination with the road wheel and its axle, a wheel also journaled upon said axle outside of said road wheel, and arranged to be operated by the same, and also arranged to impart motion to the operative parts, the machine body having its sides near the road wheels, and one side cranked or bent away from the near wheel, and the roof or apron extending from said box or body on its off side in a substantially straight line over the off side wheel, all as and for the purposes described. 11th. A comb tooth consisting of a wearing plate for attachment of the comb bar, the tooth front and the tooth stay for bracing said front, all combined as shown and described. 12th. In combination with the comb tooth, the flat metal piece H, attached to said comb tooth, one end resting upon the tooth and the other end extending beyond the tooth point and downward in front of the same, all as shown and described. 13th. In combination with the comb tooth, the flat metal piece H, held within a slot in the thimble of the comb tooth and one end resting upon the tooth and the other end extending beyond the tooth point and downward in front of the same, all as shown and described. 14th. The cheeks of the machine having a slotted hole or holes F¹⁴, in combination with the comb bar for supporting the combs, and adjusting bolts passing through said bar and slots, all as shown and described. 15th. The raising and lowering mechanism consisting of the rack L, a pinion or cog L¹, engaging with said rack, a bevel gear L², concentric with said pinion and integral with the same, a handle lever and a pinion L³, supported on the lower end of the handle lever and engaging with said bevel gear, all combined and operating as described. 16th. In combination with the lifting rack, the pinion engaging with the same, and the hand lever for operating said pinion the arc M, fixed to the main frame, and means for adjustably fulcruming the lever to said arc, all substantially as described. 17th. In combination with the lifting rack and its operating pinion, a spring detent or bolt normally serving to lock said pinion, and a lever connected with the rear of said bolt or detent by a connecting rod, for releasing said bolt or detent, all substantially as described. 18th. In combination with the lifting rack and its operating pinion, a spring detent or bolt normally serving to lock said pinion, a lever connected with said bolt or detent for releasing the same, a brake for said pinion, and

said lever being adapted to operate said brake to bind the pinion, all substantially as described. 19th. In combination with the lifting rack and its operating pinion, a spring detent or bolt normally serving to lock said pinion, a lever connected with said bolt or detent for releasing the same, a lever brake for said pinion and the bolt operating lever provided with an arm resting upon the lever brake for operating the same, all substantially as described. 20th. In combination with the damp weather thresher, a series of knives situated in front of the same, all substantially as described.

No. 61,656. Egg Tester. (*Appareil à éprouver les œufs.*)



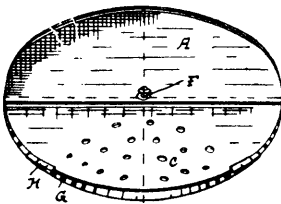
61656

Ezra Edwards, Webster, Iowa, U.S.A., 7th November, 1898; 6 years. (Filed 12th July, 1898.)

Claim.—1st. An egg tester and separator comprising a frame adapted to support a hopper, a table at one end of the frame adapted to support a basket or egg case, a hopper fixed in the frame and provided with an opening at its bottom and one in its side, means for closing said openings, a wire screen fitted in the top of the hopper, a candle-holder detachably connected with the open bottom of the hopper and a cover fitted over the top of the hopper and frame and provided with an opening at its central portion, arranged and combined to operate in the manner set forth for the purposes stated. 2nd. In a device of the class described, the combination of the supporting-frame, a hopper in said frame, an artificial light-producing means in the bottom of said hopper, a screen in the upper portion of said hopper, a cover over the screen and a gate in the bottom of the hopper. 3rd. In a device of the class described, the combination of a supporting frame, a hopper in said frame, a lamp in said hopper, a frame H, in the upper portion of said hopper, a screen fixed to said frame H, an opaque cover fixed to the frame H, and arched above the screen, means of access to the interior of the cover and a gate in the bottom of the hopper.

No. 61,657. Cover for Kitchen Vessels.

(*Couvercle pour ustensiles de cuisine.*)



61657

Thomas Edward Hough, Toronto, Ontario, Canada, 7th November 1898; 6 years. (Filed 26th July, 1898.)

Claim. 1st. In a cover for kitchen vessels, having a circular base E, with solid semi-circular portion D, and opposite perforated portion C, and inner circular portion F, the perpendicular circular rim G, and guide H, as and for the purpose hereinbefore set forth. 2nd. In a cover for kitchen vessels, having a semi-circular solid cover A, and revolving rod B, as and for the purpose hereinbefore set forth.

No. 61,658. Bottle, etc. (*Bouteille, etc.*)

George Adam Diemer, Newburg, New York, U.S.A., 7th November, 1898; 6 years. (Filed 10th October, 1898.)

Claim. 1st. A bottle or other vessel, the neck of which is contracted at the opposite sides thereof so as to form a narrow transverse passage or opening, a stopper which is adapted to be inserted into said neck, and a strip of spring metal which is passed through said stopper, and the ends of which are bent downwardly and adapted to be passed through said narrow transverse passage or opening,

substantially as shown and described. 2nd. A bottle or other vessel, the neck of which is contracted at the opposite sides thereof

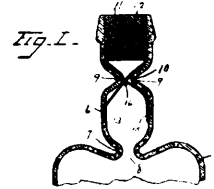
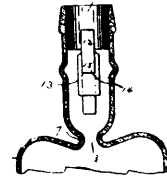


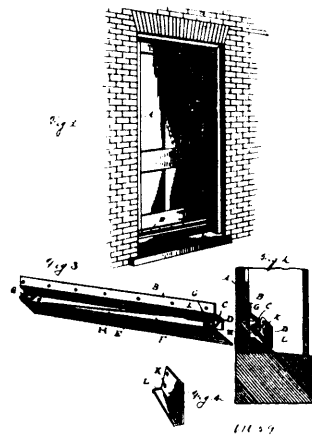
Fig. 2



61658

so as to form a narrow transverse passage or opening, a stopper which is adapted to be inserted into said neck, and a strip of spring metal which is passed through said stopper, and the ends of which are bent downwardly and adapted to be passed through said narrow transverse passage or opening, one end of said strip of metal being wider than the other and provided with a transverse slot or opening, and the other end being adapted to be passed therethrough, substantially as shown and described. 3rd. A bottle or other vessel, the neck of which is contracted at the opposite sides thereof so as to form a narrow transverse passage or opening, a stopper which is adapted to be inserted into said neck, and a strip of spring metal which is passed through said stopper, and the ends of which are bent downwardly and adapted to be passed through said narrow transverse passage or opening, one end of said strip of metal being wider than the other and provided with a transverse slot or opening, and the other end being adapted to be passed therethrough, said last-named end being also provided with a transverse loop or bend whereby a shoulder is formed which is also adapted to be passed through said slot or opening, substantially as shown and described.

No. 61,659. Weather Strip. (*Bourrelet de porte.*)

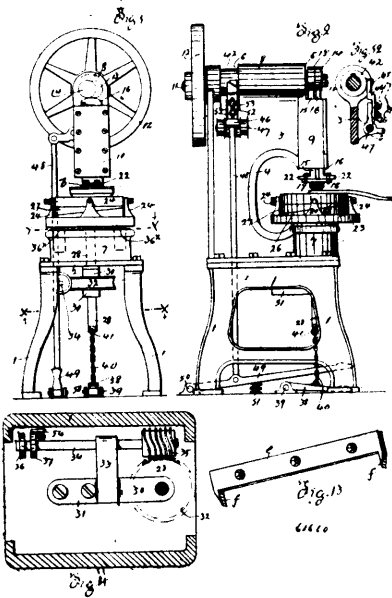


61659

John T. Watts, Golden, Illinois, U.S.A., 7th November, 1898; 6 years. (Filed 10th October, 1898.)

Claim.—In a weather-strip, the combination with a stationary section, having a securing-face by means of which it is attached to the door, an intermediate portion inclined outwardly and downwardly from the securing portion, a downwardly-extending stop member, a movable section having its inner end bent at an angle to form an attaching portion, hinges secured to the outer surface of the attaching portion, and to the under side of the intermediate portion of the stationary section, whereby said sections are hinged together, said attaching portion adapted to abut against the stop member when the door is open, spring-rod having its end bent at an angle and extending in reverse directions, one of said angular ends being secured to the under side of the intermediate portion of the stationary section adjacent one end of the weather-strip, and the opposite angular end secured to the under side of the movable section adjacent the opposite end of the strip, of an annular stop-plate secured to the door-frame and adapted to be engaged by the movable section of the weather-strip, whereby said section is held in engagement with the door sill when the door is closed, substantially as described.

No. 61,660. Sole Cutting Machine.

(Machine pour tailler les semelles.)

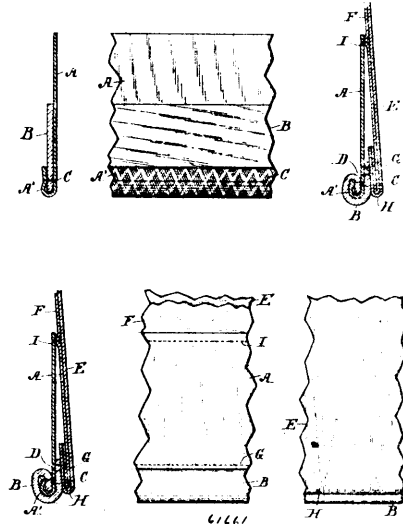
Francis Joseph Freese, Montreal, Quebec, Canada, 7th November, 1898; 6 years. (Filed 6th October, 1898.)

Claim.—1st. In a sole cutting machine, the combination of a frame, a work support and having a vertical guideway therein and a divided cutter or die, the parts of which coincide to produce a complete die, with a pair of plungers located in said guideway for carrying the parts of the cutter and means for imparting alternative reciprocating motion in parallel lines of movement to the parts of said cutter or die, for the purpose set forth. 2nd. In a sole cutting machine, the combination of a frame, a movable or travelling work support or table and a portion of said frame overhanging the work support and having a vertical guideway therein and a divided cutter or die, the parts of which coincide to produce a complete die with a pair of plungers having parallel movement, for actuating same, for the purpose set forth. 3rd. In a sole cutting machine, the combination of a frame, a yielding and movable or travelling work support or table, and a portion of said frame overhanging the work support and having a vertical guideway therein and a divided cutter or die, with a pair of plungers, means for actuating said table and imparting alternative reciprocating motion in parallel lines of movement to the parts of said cutter or die, for the purpose set forth. 4th. In a sole cutting machine, the combination of a frame, a yielding work support and a portion of said frame overhanging the work support and having a vertical guideway therein and a divided cutter or die with a pair of plungers, means for imparting alternative reciprocating motion in parallel lines of movement to the parts of said cutter or die, for the purpose set forth. 5th. In a sole cutting machine having a vertically reciprocating cutter or die, a yielding work support normally held in contact with the cutter or die and adapted with such cutter to maintain a constant pressure upon both sides of the stock, for the purpose set forth, and adapted to be depressed for a limited distance, with means for limiting such depression. 6th. In a sole cutting machine, the combination of a frame, a yielding work support or table adapted to yield vertically and travel in a horizontal plane and a portion of said frame overhanging the work support and having a vertical guideway therein and a divided cutter or die with a pair of plungers, means for imparting alternative reciprocating motion in parallel lines of movement to the parts of said cutter or die, for the purpose set forth. 7th. In a sole cutting machine, the combination of a frame, a cutter or die and a yielding work support or table normally held by a spring in contact with the cutter or die, and a support for such table limiting the depression of same and such table adapted to be depressed for the distance determined by such support, and further adapted with such cutter to maintain a constant pressure upon both sides of the stock, to travel in a horizontal plane and be adjusted in working distance relatively to said cutter or die and means for actuating said die and effecting the travel of said work support and of adjusting same, for the purposes set forth. 8th. In a sole cutting machine, the combination of a frame, a divided cutter or die, the parts of which coincide to produce a complete die and a yielding work support adjustable in working distance relatively to said cutter or die and a portion of said frame overhanging the work support and having a vertical guideway therein with means for actuating said cutter or die and of adjusting said work support, for the purpose set forth. 9th. In a sole cutting machine, the combination of a frame, a driving shaft

carried therein, a work support and a portion of said frame overhanging the work support and having a vertical guideway therein, a divided cutter or die, the parts of which coincide to form a complete die, a pair of carriers or plungers located in said guideway for carrying the parts of said cutters, a pair of discs mounted eccentrically upon said shaft acting to depress said carriers and springs normally elevating same for the purpose set forth. 10th. In a sole cutting machine, the combination of a frame, a driving shaft carried therein, a work support, and a portion of said frame, overhanging the work support and having a vertical guideway therein, a depressible divided cutter or die with its parts normally elevated, and a pair of discs eccentrically carried by said shaft for acting upon the cutter carrying parts to depress same in parallel lines of movement. 11th. In a sole cutting machine, the combination of a frame, a driving shaft carried therein, a vertically movable cutter or die, a yielding work support normally held in contact with the movable cutter or die, a driving pulley mounted loosely on said shaft and clutch mechanism for connecting and disconnecting said pulley with the shaft for the purpose set forth. 12th. In a sole cutting machine, the combination of a frame, a driving shaft carried therein, a vertically movable cutter or die, a driving pulley mounted loosely on said shaft and clutch mechanism carried in part by said pulley and in part by said shaft with which the latter part has a sliding connection with means for connecting and disconnecting the parts, as and for the purpose set forth. 13th. In a sole cutting machine, the combination of a frame, a driving shaft carried therein, a vertically movable cutter or die, a yielding work support normally held in contact with the movable cutter or die, a driving pulley mounted loosely on said shaft and adjustable clutch mechanism for connecting and disconnecting said pulley with the shaft, as and for the purpose set forth. 14th. In a cutter, a stationary interior frame or body piece and an outer encircling cutter or die with continuous transformable cutting edge adjustably carried thereby and variable in form thereon. 15th. A divided cutter or die having a pair of interior integral body pieces and a pair of integral cutter encircling edge pieces adjustably secured to the outer faces of such body pieces and the ends of the separate parts of which edge pieces abut each other and coincide to produce a complete die for the purpose set forth. 16th. A cutter or die formed in two cutting parts the ends of which abut each other and coincide to produce a complete die and which are independently operative with a plunger or carrier for independently carrying each part upon its end and operating same in parallel lines of movement, for the purpose set forth. 17th. The combination with the cutter or die formed of two main cutting parts adapted to be independently carried and operated and either of which is adjustable, of an auxiliary or enlarging plate or section carrying two cutting edges and adapted to be interposed between and attached to either of said main cutting parts, for the purpose set forth. 18th. The combination with the cutter formed of the two main cutting parts comprising frame pieces and cutting blades or strips attached therein adapted to be independently carried and operated and either of which parts is adjustable, of an auxiliary or enlarging cutting part fitting longitudinally of the dies and comprising a frame piece with cutting blades at each end adapted to be interposed between and attached to either of said main cutting parts, for the purpose set forth. 19th. The cutter or die formed of two main cutting parts, and an auxiliary or enlarging cutting plate or section having a body portion and cutting blades at each end thereof and adapted to be interposed longitudinally between the main cutting parts to locate such cutting blades in line with the blades of the main cutting parts, for the purpose set forth. 20th. The cutter or die formed of two main cutting parts comprising integral stationary frame pieces and separate continuous flexible cutting blades or strips removably attached and adapted to conform to the outer configuration of the sides thereof, said frame pieces having their side edges to which said blades are attached formed with a series of notches or recesses, for the purpose set forth. 21st. A cutter or die having a frame or body piece and a movable flexible cutting blade or strip attached to the edge thereof by means of screws mounted so as to rotate but held against longitudinal movement in said blade and entering said frame piece, for the purpose set forth. 22nd. A cutter or die having a frame or body piece and a removable flexible cutting blade or strip attached to the side edge thereof, such side edge being formed with a series of notches or recesses, for the purpose set forth. 23rd. In a cutting machine, a divided cutter or die, the parts of which coincide to produce a complete die, and means for imparting alternative reciprocating motion in parallel lines of movement to said parts, for the purpose set forth. 24th. In a sole cutting machine, a rotatable work supporting table having a base mounted on a suitable rotating spindle, a detachable top or block to carry the work, intermediate annular bearing sections or rings each having two separate inclined faces and means for retaining the parts in position when adjusted, for the purpose set forth. 25th. In a sole cutting machine, a work supporting table having a base, an adjustable top or block to carry the work and a pair of intermediate annular bearing rings each having inclined faces movable relatively to the other with clamping devices passing through and clipping such rings, for the purpose set forth. 26th. In a sole cutting machine, a rotatable work supporting table having a base with upwardly projecting lugs carrying set screws, an adjustable top or block to carry the work, intermediate annular bearing sections or rings, each having an inclined face adapted to be moved one upon the other and clamping devices passing through said sections between their edges and adapted to clip both edges for securing such sections

in position when adjusted, for the purpose set forth. 27th. The combination with the frame, the vertically movable cutter or die, the rotatable work supporting table and the vertical shaft carrying same, of a gear-wheel supported by the frame and having a rotary connection with said shaft, a countershaft suitably carried, a worm on said countershaft in mesh with said gear-wheel, a ratchet on said countershaft and an operating pawl movable into and out of engagement with said ratchet, for the purpose set forth. 28th In a sole cutting machine, the combination of a driving shaft, a divided cutter or die, the parts of which coincide to produce a complete cutter or die, a work support, an operative connection between said cutter or die and the driving-shaft, means for operating said driving-shaft and adjustable mechanism for connecting and disconnecting said driving-shaft and its means of operation, for the purpose set forth.

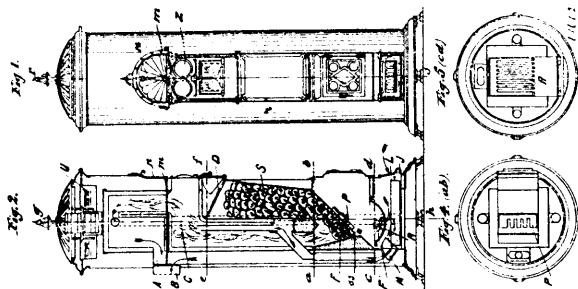
No. 61,661. Skirt. (Jupe.)



William J. Hay, Oshkosh, Wisconsin, U.S.A., 7th November, 1898; 6 years. (Filed 10th October, 1898.)

Claim.—1st. The combination with a dress skirt, of a facing piece folded near its edge forming a groove and complementary rib, a covering piece inserted in the groove and sewed to the facing strip against it on both sides, said covering piece being folded over and about the folded edge or rib of the facing and sewed to the other surface of the facing, said facing and covering piece including the roll formed thereby being secured to the skirt forming a laterally inwardly projecting roll at the bottom of the skirt. 2nd. A dress protector and distender comprising a facing strip folded near its edge forming a groove and complementary rib, and a covering piece, the edge of which is inserted in said groove and is sewed to the facing strip at both sides thereof, said covering piece being therefrom folded about the folded edge or rib of the facing strip and sewed at its other edge to the other surface of the facing strip forming a laterally projecting roll.

No. 61,662. Heating Apparatus. (Appareil de chauffage.)

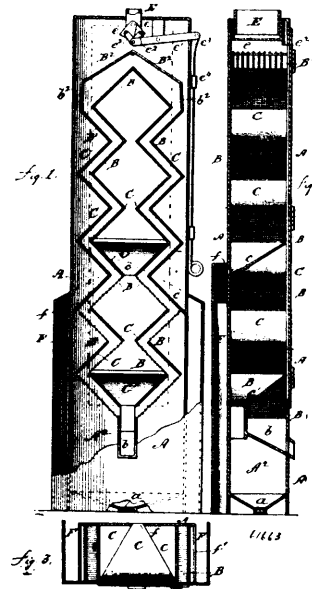


Johann Schumann, Lemberg, Galicia, Austria, 7th November, 1898; 6 years. (Filed 10th October, 1898.)

Claim.—1st. A heating apparatus distinguished by two clearing pipes leading into the chimney and which can be stopped in such a way that the stopping of the one corresponds with the opening of the other, a draught pipe in intimate connection with the said smoke

clearing pipes and return pipes with their discharges to allow the complete combustion of the unburnt smoke and gas coming from the fire, substantially as and for the purpose set forth. 2nd. In a heating apparatus the arrangement of two fire-places the upper of which receives the combustion air through a slit and the lower is arranged as a secondary fire-place, with a grate directly under the first and serves to light this latter and to receive the lumps of coal which, being consumed to the size corresponding with said slit fall on the grate where they are completely burnt and serve to heat the combustion air, substantially as and for the purpose set forth. 3rd. In a heating apparatus the combination of a respirator composed of a water reservoir or tank and of wing wheels covered with an absorbing substance, of small tubes arranged on the hollow axle of said wheels and which plunge into the water, said wheels being worked by the circulation of the air, substantially as described. 4th. In a heating apparatus the combination of a layer of cement covering the interior sides, composed of a wire gauze arranged on a thin finely corrugated sheet so that the dilatation of the iron sides of the stove cannot exercise any injurious influence on the layer of cements, substantially as described.

No. 61,663. Separator. (Séparateur.)



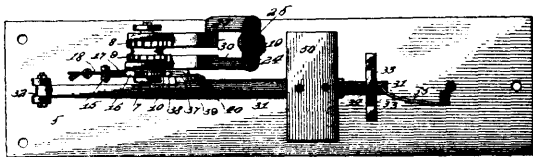
Albert Roe Penprase and John Law, both of Duluth, Minnesota, U.S.A., 7th November, 1898; 6 years. (Filed 24th September, 1898.)

Claim.—1st. In a separator and grader, the combination with a suitable casing, of two inner diverging screens, two inner converging floors connecting the said inner screens, two outer converging screens parallel with the said converging floors, two outer diverging floors connecting the said outer converging screens and parallel with the inner diverging screens, the inner floors and screens being so arranged as to discharge particles of dirt or waste material through a space centrally between them into a suitable receptacle, and the outer diverging floors to discharge waste material at the sides of the casing, the arrangement of the inner and outer floors also preventing the dust from re-entering the grain and also forming with the screens two zigzag passages for the descent of the grain, and an inclined floor located at a suitable point in the central dust chute for conducting the dust to the dust compartment, the said dust compartment also connecting with the side dust passages or chutes, one set of the outer diverging floors being extended to meet the sides of the outer casing to form a screening compartment below the same, and prevent the further descent of the dust into said compartment and also direct the dust in the side passages to the dust compartment, the mesh of the screens below the said extended divergent dust floors in the side dust passages being larger than the mesh of the screens above the floors, and forming a grain grader which permits small grain or screenings to pass through the large mesh, the construction and arrangement being such that the dust is conveyed to one compartment, screenings to another compartment, and good grain to a third compartment, substantially as described. 2nd. In a separator and grader, the combination with a suitable casing, of two inner diverging screens, two inner converging floors connecting the said inner screens, two outer converging floors connecting the said outer converging screens and parallel with the inner diverging screens, the inner floors and screens being so arranged as to discharge particles of dirt or waste material through a space centrally between them into a suitable receptacle, and the outer diverging floors to discharge waste material at the sides of the

casing, the arrangement at the inner and outer floors also preventing the dust from re-entering the grain, and also forming with the screens two zigzag passages for the descent of the grain, a centrally arranged inclined floor located at a suitable point in the central dust chute for conducting the dust to the dust compartment, the said dust compartment also connecting with the side dust passages, or chutes, one set of the outer diverging floors being extended to meet the sides of the outer casing to form a screenings compartment below the same and prevent the further descent of the dust into said compartment and also to direct the dust in the side passages to the dust compartment, the mesh of the screens below the extended dust floors in the side dust passages being larger than the mesh of similarly arranged screens above the inclined dust floors in the side dust passages, so as to permit the small grain or screenings to pass through the large mesh of said screens, and another centrally arranged floor located below the first mentioned centrally arranged floor in the line of the central dust passages for conducting the centrally discharged screenings into the screenings compartment, the construction and arrangement being such that the dust is conveyed to one compartment, screenings to another compartment, and good grain to a third compartment, substantially as described. 3rd. In a separator, the combination with a suitable casing, of a feed hopper, a feed regulating device attached to said hopper, comprising two jaws pivoted to the walls of the hopper at the lower end of the same, links pivoted to said jaws, a lever pivoted in the casing and secured at one end to said links and an operating rod arranged outside the casing and connected to the other end of the lever for operating the same to partially or entirely close or open the lower end of the hopper, a series of diverging screens and a series of converging floors connecting said screens, a series of outer converging floors parallel with the inner diverging screens, the inner floors and screens being so arranged as to discharge particles of dirt or waste material through a space centrally between them into a suitable receptacle, and the outer diverging floors to discharge waste material at the sides of the casing, the arrangement of the inner and outer floors also preventing the dust from re-entering the grain and also forming with the screens two zigzag passages for the descent of the grain, substantially as described. 4th. A separator and grader comprising an outer casing provided with a dust compartment, a screenings compartment, and a good grain compartment, the dust compartment being arranged exteriorly of said casing and surrounding the same on three sides, two sets of zigzagly and parallelly arranged screens and floors arranged in the casing as described, forming a central dust passage and side dust passages, and a downwardly inclined floor arranged in the central dust passage for conducting the dust into the dust compartment, one set of diverging floors below the said centrally arranged floor being extended to the sides of the casing and forming a screenings compartment below them and preventing the descent of the dust into said screenings compartment, the large grain passing into a separate compartment, substantially as described. 5th. In a separator, the combination with a suitable casing, of a feed hopper, and a feed regulating device attached to said hopper, comprising two jaws pivoted to the walls of the hopper, links pivoted to said jaws, a lever pivoted in the casing and secured at one end to said links, and an operating rod arranged outside the casing and connected to the other end of the lever for operating the same to partially or entirely close or open the lower end of the hopper, whereby the supply of grain to the separator can be uniformly regulated, and increased and diminished as desired, substantially as described.

No. 61,664. Alternating Movement Machine.

(Machine à mouvement alternatif.)



Elizabeth Moore, Meductic, New Brunswick, Canada, 7th November, 1898; 6 years. (Filed 24th June, 1898.)

Claim.—1st. The combination with a shifting member, of dogs for imparting movement successively to said shifting member, a train of pivoted wheels alternately operating upon said dogs and an electro-magnet having connections for imparting step by step movement to the train of wheels, substantially as explained. 2nd. The combination with a shifting member of a train of integral ratchet wheels having teeth cut to alternate, dogs operated upon by the respective wheels and having connection with the shifting member, a magnet with its armature and a rigid connection between the armature and the train of wheels, substantially as and for the purposes set forth. 3rd. The combination with the shifting member, of a train of integral ratchet wheels, provided with teeth cut to alternate, a dog engaging one of said wheels, a magnet with its armature, means connecting said dog with said armature, dogs co-operating with the other

ratchet wheels, and means connecting the latter dogs with the shifting members. 4th. The combination with a shifting member of a train of integral ratchet wheels each provided with teeth cut to alternate with the teeth on the other wheel, a dog co-operating with one of said ratchet wheels, a magnet having operative connection with said dog, dogs resiliently mounted and co-operating with the other two ratchet wheels, and means for connecting the said dogs with the shifting member, substantially as described. 5th. In an electric switch, the combination with the switch tongue, of resilient yokes connected with said tongue, dogs mounted respectively on one end of said yokes, integral ratchet wheels having their respective teeth cut to alternate, and adapted to engage the dogs on the said yokes, and means for operating said ratchet wheels, substantially as described. 6th. In an electric switch the combination with the switch tongue, of integral ratchet wheels cut with teeth to alternate respectively, co-operating dogs with said tongue and a magnet with its armature connected with said ratchet wheels, substantially as described. 7th. The combination with a train of integral ratchet wheels, and their co-operating dogs, one of said wheels having a greater number of teeth than the other two, and means for connecting the dog of the last-named ratchet wheel with a suitable source of power and means for connecting the first-named ratchet wheels with a member to be operated, substantially as described. 8th. The combination with a train of integral ratchet wheels, one of which has a greater number of teeth than the other two, of resiliently mounted dogs adapted to engage the other two ratchet wheels alternately, and a slotted plate connected to said dogs and adapted to have bearing and slide on the axis of said train of wheels, substantially as described. 9th. In an electric railway switch, the combination with the switch tongue, resilient yokes connected with said tongue, dogs mounted on one end of the respective yokes of a train of integral ratchet wheels with teeth cut to alternate, another integral ratchet wheel, an operating dog engaging the same, and means to operate said dog, substantially as described. 10th. In an electric railway switch, the combination with the switch tongue, a cross arm rigidly connected with said switch tongue, of spring yokes, one end of which is connected to said cross arm, a dog and a slotted plate secured to the other ends respectively of said yokes, a train of ratchet-wheels with teeth cut to alternate, said dogs adapted to alternately engage said ratchet-wheels and guided in their engagement by the slotted plate working on the axis of said train of wheels, of another ratchet wheel having a greater number of teeth than the train of wheels, a magnet with its armature, a pivoted bar carrying said armature and a dog pivoted to said carrying bar adapted to engage the last-named ratchet-wheel, substantially as described. 11th. In an electric railway switch, the combination with the switch tongue, a pin depending from said tongue, a cross-arm rigidly mounted on said pin, arms pivotally connected with said cross-arm and spring yokes connected respectively to the last-named arms, a dog and slotted plate mounted on the other ends of the respective yokes, of a train of integral ratchet-wheels, two of which have teeth cut to alternate and adapted to be engaged by the dogs on the resilient yokes, said slotted plates working on the axis of said train, an operating dog co-operating with the other ratchet-wheel, and pivoted arm on which said dog is mounted, said armature being secured to the above-named carrying bar, substantially as described. 12th. In an electric railway switch, the combination with the switch tongue, of a train of integral ratchet-wheels with teeth cut to alternate, dogs adapted to engage said train, a resilient connection between the switch tongue and said dogs, an integrally operating ratchet-wheel, a pivoted carrying bar provided with a dog pivotally mounted on the same and adapted to engage the operating ratchet-wheel, a magnet and its armature, said armature being mounted on said carrying bar, substantially as described.

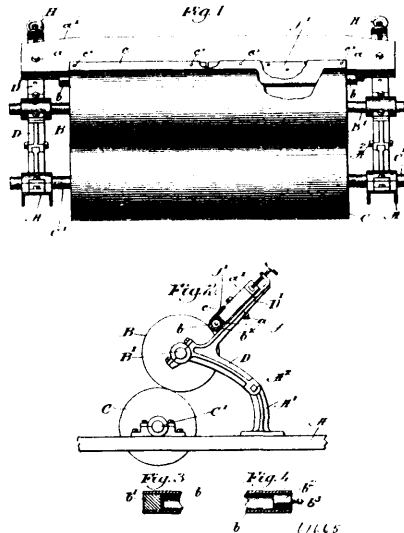
No. 61,665. Paper Making Machinery.

(Machine à faire le papier.)

Dennis Bernard McMurray and George Rodney Wallace, both of Fitchburg, Massachusetts, U. S. A., 7th November, 1898; 6 years. (Filed 15th September, 1898.)

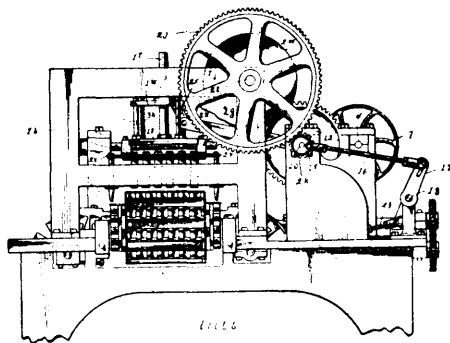
Claim.—1st. In a paper making machine, a couch roll, combined with a pressure bar, guard board or device, having at its acting edge an inflated tube, substantially as described. 2nd. In a paper making machine, a couch roll, combined with a pressure bar, guard board, or device having at its acting edge an inflated tube, said tube being enclosed by a covering, substantially as described. 3rd. In a paper making machine, a couch roll, combined with a pressure bar, guard board or device, having at its acting edge an inflated tube, said tube having a connected valve stem, substantially as described. 4th. In a paper making machine, a couch roll, combined with a pressure bar, guard board or device, having at its acting edge an inflated tube, said tube being provided at its ends with rigid blocks, substantially as described. 5th. In a paper making machine, a couch roll, combined with a pressure bar, guard board, or device having at its acting edge an inflated tube, said tube being provided at its opposite ends with blocks, one of said blocks having a valve stem, substantially as described. 6th. In a paper making machine, a couch roll, and means to sustain its shaft, combined with a pressure bar, guard board or device having at its acting edge parallel to said roll, a tube, and a fibrous covering enclosing said tube, said covering being con-

ected with and carried by said pressure bar or device, substantially as described. 7th. In a paper making machine, a pressure bar,



guard board, or device, provided at one edge with a concave, combined with an inflated tube seated in said concave, and a covering for said tube, substantially as described.

No. 61,666. Machine for Making Cell-Cases.
(Machine pour la fabrication de caisse à cellules d'abeilles.)



Henry C. Herr, Port Huron, Michigan, U.S.A., 8th November, 1898; 18 years. (Filed 12th March, 1898.)

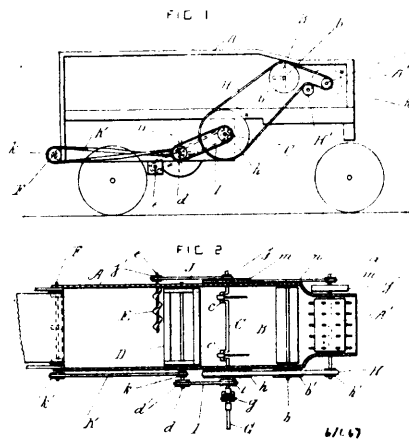
Claim.—1st. In a machine for making cell-cases, a supporting base or table having two feeding, punching and cutting mechanisms located to the table at right angles to each other, means for operating them and for holding the paper to be fed therein, one strip being moved in a direction transversely to the movement of the other, in combination with two endless sprocket-chains mounted on sprocket-wheels at right angles to each other on shafts set in boxes on the frame of the machine and carrying clamping and holding jaws for receiving, holding and delivering the cell-case blanks, parts of each sprocket-chain passing between the upper and lower portions of the other, and means for giving each sprocket-chain and its co-operating mechanism an intermittent movement, for the purposes described. 2nd. In a machine for making cell-cases, the combination with the beaters, the two endless carrier sprocket-chains and sprocket-wheels mounted at right angles to each other, their holding and clamping jaws and means for giving them an intermittent movement, of means for turning the hook portions 51, i, of the lower cell blanks to one side out of the way while the upper cell blanks are being forced into place by the beaters, substantially as described. 3rd. In a machine for making cell-cases, the combination with the feeding, punching and cutting mechanism, and the lower endless sprocket-chain mounted on the sprocket-wheels on shafts set in bearings on the frame of the machine and carrying a series of clamping jaws, the movable jaws of each clamping jaw carrying an operating bar, of means for giving the sprocket-chain and its clamping jaws an intermittent forward movement, circular discs mounted on the sprocket-wheel shaft opposite the feeding, punching and cutting mechanism, over which the lower ends of the clamping jaw operating bars move and keep the jaws open to receive the paper blanks from the cutting mechanism, and tracks over which the operating bars pass and close the clamping jaws and hold the lower paper blanks in parallel rows

in position to receive the upper blanks, substantially as described. 4th. In a machine for making cell-cases, the combination with two endless sprocket-chains mounted on the sprocket-wheels at right angles to each other, on shafts set in boxes on the supporting table, means for giving the required intermittent movement to each sprocket-chain and the feeding, punching and cutting mechanism, of a series of clamping jaws mounted at equal distances apart on the lower sprocket-chain, and means for operating them, for receiving and carrying the lower cell blanks as they pass in succession, into each clamping jaw from their feeding, punching and cutting mechanism, and a series of holding jaws and means for operating them mounted on the upper sprocket chains for receiving and carrying the upper cell-blanks as they pass into each holding jaw from their feeding, punching and cutting mechanism, and mechanism as described for forcing the upper parallel series of cell-blanks down into engagement with a lower parallel series of cell-blanks assembled at right angles to the upper series. 5th. In a machine for making cell-cases, two sprocket-chains mounted on sprocket-wheels in suitable boxes on the machine so that one side of each chain extends at right angles to and through between the upper and lower sides of the other, and means for giving said chains a simultaneous intermittent forward movement in combination with a series of clamping jaws mounted upon the lower chain and means for operating them, for receiving and carrying a series of lower cell-blanks in parallel order, a series of holding jaws and means for operating them mounted on the upper chain for receiving and carrying a corresponding series of upper cell blanks in a corresponding parallel order at right angles to and above the lower series of cell-blanks, preparatory to forcing them down into engagement with the lower series of cell-blanks and thereby completing a cell-case, substantially as described. 6th. In a machine for making egg cases, the combination with the upper endless sprocket-chain, the beaters and their operating mechanism for forcing the upper cell-blanks into engagement with the lower cell-blanks, of a series of holding jaws mounted on the upper endless sprocket-chain, each holding jaw being provided with a series of vertical recesses which, when the two members of the jaws are closed, form vertical openings through which the beaters operate, for the purposes described. 7th. In a machine for making cell-cases, the combination with the operating bars, the clamping-jaws, the sprocket-chain and its operating mechanism, of disc-wheels mounted on the sprocket-wheel shaft at the head of the sprocket-chain carrying said clamping-jaws, for limiting the opening of the clamping-jaws as the operating-bars are carried by the sprocket-chain around said discs. 8th. In a machine for making cell-cases, the combination with the operating mechanism, the shafting and sprocket-wheels mounted at the ends of said shafting of two duplicate sprocket-chains, arranged parallel to each other and adapted to engage with the sprocket-wheels on the shafting, a base portion arranged between and extending from each link on one chain to its companion link on the opposite chain so as to locate the said base portion at substantially right angle to the running direction of the chains, and a series of clamping-jaws mounted on said base portions. 9th. In a machine for making cell-cases, the combination with the operating mechanism and sprockets mounted on the shafting thereof, of a clamping-jaw sprocket-chain each link of which consists of a plurality of clamping-jaws arranged along and extending from a base portion, a plurality of movable jaws co-operating with said clamping-jaws, and chain links at each end of said base portion fitting said sprockets. 10th. In a machine for making cell-cases, a base portion, a series of clamping jaws extending upward from the base portion, and provided with openings 50, and a chain link rigidly secured to each of said base portion, in combination with series of movable clamping-jaws extending upward from a base portion pivoted between the chain links, an inward extending curved portion on each jaw and means for operating them, for turning outward the hook portion 51, on the lower blanks, for the purposes described. 11th. In a machine for making cells, the combination with the operating mechanism of devices forming a portion of said operating mechanism for bending and holding the hook portions of the lower or male blanks at substantially right angles thereto during the interval of time required to press the upper or female blanks into proper engagement with the said lower blanks. 12th. In a machine for making cell-cases, the combination with the beaters, the upper holding jaws, the sprocket-chain upon which they are mounted and means for operating them, of the pivoted plates 88, and means for turning them out of the way to allow the upper cell-blanks to be forced down through the holding-jaws by the beater, substantially as described. 13th. In a machine for making cell cases, the combination with the operating mechanism, of means substantially as described for bending the hook portions of the male blanks out of the way to form an unobstructed opening for the female blanks to pass into. 14th. A machine for making cell cases, consisting of mechanism for feeding, punching, cutting and assembling an upper and lower series of cell blanks simultaneously, mechanism for temporarily turning the hook portions of the lower blanks sufficiently to leave free openings, and mechanism for forcing the upper series of blanks into engagement with the lower series to form a cell case. 15th. In a machine for making cell-cases, the combination with the operating mechanism, of a series of combined sprocket chain links and clamping jaws, each of said series consisting of a base portion, fixed jaws rigidly depending from said base portion, a series of pins projecting from said base, at substantially right angles to fixed jaws, and a series of movable jaws. 16th. In a machine for making cell blanks, the combination of two endless sprocket

chains mounted at right angles to each other, on sprocket wheels and shafts located on the machine so that one side of each chain passes between the upper and lower sides of the other, mechanism for operating said sprocket chain, sprockets and shafts intermittently, feeding mechanism, clamping and holding jaws mounted on said chains for receiving the paper blanks fed to each simultaneously and simultaneously carrying a series of lower and upper transverse paper cell blanks and holding them, and means for releasing and moving the transverse cell blanks down into engagement with the lower cell blanks during one of said intermissions, substantially as described. 17th. In a machine for making paper blanks, a combined sprocket chain link and clamping-jaw, consisting of a series of clamping-jaws 45, having side openings 50, extending up from a base portion 45a, provided with a series of pins 45e, and a chain-link rigidly secured to each end thereof, in combination with a corresponding series of clamping-jaws 46, extending upward from a base portion 46a, pivoted between the chain-links the base portion 46a, having a series of openings 45f, to receive the pins 45e, as described. 18th. In a machine for making cell-cases, the combination with the operating mechanism, of a series of combined sprocket chain links and clamping-jaws, each of said series consisting of the base portion 45a, jaws 45, chain links 44, 44a, and pins 45e, all formed in one integral piece, and the movable jaw, 46a, pivotally connected to said base portion. 19th. In a machine for making cell-cases, the combination with the feeding, punching and cutting mechanism, of two endless sprocket chains mounted on sprocket wheels set in boxes on the machine frame, the chains being mounted at right angles to each other so that one side of each moves between the upper and lower sides of the other, a series of holding and clamping-jaws and means for operating them mounted on said chains, means for giving said chain a simultaneous step-by-step movement with simultaneous stationary intervals between each step, for receiving and carrying a series of seven upper and seven lower cell blanks to a point where the seven upper cell blanks are located directly above and at right angles to the lower cell-blanks, and a series of beaters and means for operating them for forcing the upper cell-blanks down into engagement with the lower cell-blanks while the two sprocket chains and their holding and clamping jaws remain stationary, substantially as described. 20th. In a machine for making cell cases, the combination with the beater frame and its connecting mechanism, of the vertical bars 3f, attached to said beater frame so as to operate with it, and the pivoted plates 88, and cam 3i, for operating it, substantially as described. 21st. A machine for making cell-cases, consisting of the following elements, means located at right angles to each other for feeding, punching and cutting an upper and lower series of cell-blanks simultaneously, means for receiving and assembling the lower cell-blanks in parallel rows during regular intervals of time until a sufficient number has been assembled, means for simultaneously receiving and assembling during the same intermissions of time, a corresponding series of upper transverse cell blanks, and means for releasing and forcing the upper series of cell-blanks down into engagement with the lower cell-blanks during the interval that follows the completion of the two series of cell-blanks and thereby completing a cell-case, as above set forth. 22nd. In a machine for making cell-cases, the combination of step-by-step mechanism for feeding, cutting, punching and assembling a lower series of cell-blanks and simultaneously therewith, an upper series of cell-blanks, mechanism for stopping said assembling mechanism for a brief interval, and mechanism for forcing said upper series of blanks into engagement with said lower series during said interval. 23rd. In a machine for making cell-blanks, the combination with the sprocket chains and mechanism for intermittently operating the same, of mechanism for feeding the paper-blanks, mechanism mounted on said sprocket chains for receiving, holding and carrying an upper and lower series of cell-blanks, and mechanism for releasing and directing the upper series into engagement with said lower series during an intermission of the sprocket chain operating mechanism. 24th. In a machine for forming cell-blanks, the combination with the feeding, cutting and punching mechanism, of mechanism operated intermittently for assembling an upper series and lower series of blanks simultaneously, and mechanism for bending the hook portions of the male blanks to afford a free passage for the female blanks into engagement with said male blanks. 25th. In a machine for forming cell-cases, the combination of step-by-step mechanism for feeding, cutting and punching an upper and lower series of cell-blanks coincidentally for assembling the upper series of blanks in proper position above the lower series for bending the hooked portions on the lower series at an angle therefrom, for forcing said upper series into engagement with said lower series, and for releasing the hooked portions and allowing them to spring into engagement with and upper series of blanks to the lower series to form a complete cell-case. 26th. In a machine for forming cell-cases, the combination of step-by-step mechanism for feeding the paper into the machine, for cutting the strips, for punching said strips into blanks and for assembling a lower series of cell-blanks in parallel order, step-by-step mechanism for feeding the paper into the machine, for cutting the strips, for punching said strips into blanks, and for assembling an upper series of cell-blanks in parallel order, vertically above and transversely to the lower series, each step on the upper series being performed coincident with its companion step on the lower series, mechanism for bending portions on the lower blanks out of the way to leave a free passage, mechanism for forcing said upper series into engagement with its lower series, and mechanism for releasing said

bent portions and allowing them to spring into engagement with the upper series thus locking the two series together and forming a complete cell-case. 27th. In a machine for making cell-cases, the combination of mechanism for forming and assembling an upper and lower series of cell-blanks, mechanism for turning the locking portions on one series sufficiently to leave free openings for the introduction of the other series and mechanism for forcing said upper and lower series of blanks into engagement to form a cell-case. 28th. In a machine for forming cell-cases, the combination of mechanism for feeding, punching and cutting a series of upper blanks and by one successively, mechanism for feeding, punching and cutting a series of lower blanks, one by one successively, mechanism for assembling a suitable number of said upper blanks in parallel order and a similar number of lower blanks in parallel order, vertically below and transversely to the upper blanks, and mechanism for forcing said upper series vertically downward into engagement with said lower series. 29th. In a machine for forming cell-cases, the combination of mechanism for feeding, cutting and punching one by one the blanks of one series and simultaneously therewith the blanks of the other series, mechanism for assembling the blanks of each series in parallel order, and one series transversely to the other, and mechanism for forcing the two series into engagement to form a complete cell-case. 30th. In a machine for forming cell-blanks, the combination of feeding mechanism, mechanism for cutting strips of suitable length, mechanism for punching said strips and thus producing properly formed male and female blanks, mechanism for assembling a series of male blanks and an equal series of female blanks, and mechanism for freeing said male blanks from the assembling mechanism, and forcing them into engagement with the female blanks to form a complete cell-case. 31st. In a machine for making cell-cases, the combination of a roller disc, a series of friction rollers mounted in a circle thereon at equal distances apart, the sprocket-chains carrying the clamping and holding-jaws and their connecting operating mechanism, and means for giving the roller disc an intermittent rotary movement and for automatically locking said roller disc during said intermissions. 32nd. In a machine for forming cell-cases, the combination of step-by-step mechanism for feeding, cutting and punching an upper and lower series of cell blanks coincidentally, for assembling a series of lower cell blanks and simultaneously therewith an equal number of upper cell blanks, and for forcing said upper and lower series into engagement with each other to form a complete cell-case. 33rd. In a machine for making cell-cases, the combination with the operating mechanism and the sprocket-wheels, and chains of said operating mechanism, of a disc for imparting an intermittent movement to the sprocket-wheels and chains, and a series of friction wheels corresponding in number to the teeth in the sprocket-wheels mounted on said disc. 34th. In a machine for making cell-cases, the combination with the operating mechanism, a disc mounted on the shafting of said mechanism, and a series of rollers mounted on said disc, of a cam wheel, a mutilated gear rigidly mounted thereon, and a peripheral locking flange surrounding said mutilated gear and having a portion broken away to allow the said mutilated gear to engage with the friction rollers, as set forth.

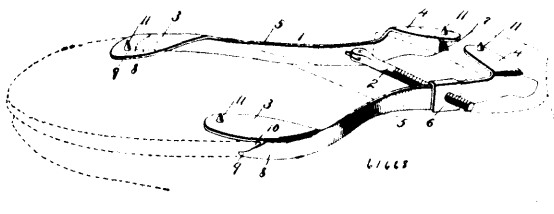
No. 61,667. **Threshing Machine.** (*Machine à battre.*)



Thomas S. Culbreth, Antrim, Kansas, U.S.A., 8th November, 1898; 6 years. (Filed 11th October, 1898.)

Claim.—In a threshing machine, the combination with a threshing cylinder and its driving shaft arranged at one end of the machine, and driving shafts arranged towards the other end of the machine, of a main driving shaft provided with cranks for operating the shaker and arranged crosswise of the machine at its middle part, belt pulleys and belts operatively connecting all the said shafts, a motor shaft, and a universal coupling connecting the said motor shaft to one end of the said main driving shaft, substantially as set forth.

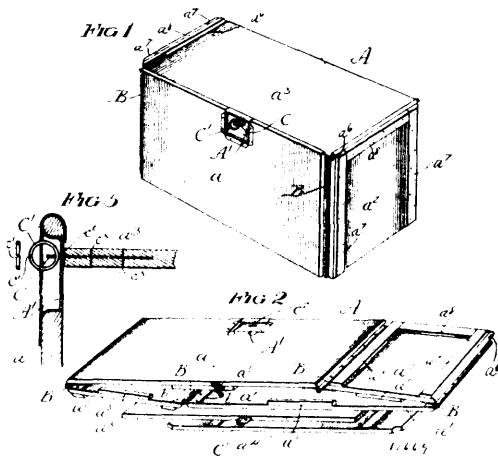
No. 61,668. Ice Creeper. (Crapin.)



Richard C. Goff, Charlottetown, Prince Edward Island, 8th November, 1898; 6 years. (Filed 14th October, 1898.)

Claim.—1st. An ice creeper, comprising two portions, each formed of a single piece of resilient material, said portions having at their opposite ends inturned flanges adapted to rest on the sole and heel of the shoe, each of said inturned flanges having ice engaging teeth, and a bolt pivotally connected to one of said members and adjustably mounted in the opposite member, whereby the distance between the members can be readily regulated, substantially as described. 2nd. An ice creeper, comprising two portions each formed of a single piece of resilient material, each of said members having its ends provided with inwardly bent tooth-portion, and also having inwardly extending flange portions, each of the latter being provided with ice engaging teeth, and a bolt pivotally connected to one of said members and adjustably mounted in the opposite member, whereby the distance between said members may be regulated, substantially as described.

No. 61,669. Egg Case. (Boite à œufs.)

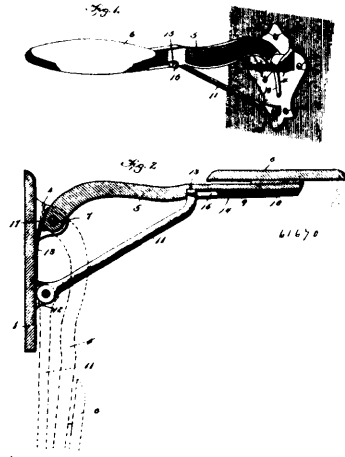


David D. Demorest, Chicago, Illinois, U.S.A., 8th November, 1898; 6 years. (Filed 15th October, 1898.)

Claim.—1st. A folding case comprising front, rear and side walls hinged together, a removable bottom fitting within said walls and resting on projections at their lower edges, and a removable cover sliding in grooves in the upper inner faces of two opposite, substantially as described. 2nd. A folding case comprising front, rear and side walls hinged together, a removable bottom fitting within said walls and resting on projections at their lower edges, a removable reversible cover sliding in grooves in the upper inner faces of the side walls and abutting against the front wall, a bolt on said cover projecting through an aperture in said front wall, a hole in the end of said bolt, and a fastening device inserted through said hole, substantially as described. 3rd. A folding case comprising front, rear and side walls a, a^1 and a^2 , respectively, secured together by hinges B and provided on their lower inner faces with cleats a^3 , and with the grooves a^4 in the upper inner faces of the side walls, the rear wall being cut-off at its top flush with the lower edges of said grooves a removable bottom a^5 adapted to rest upon the cleats a^3 , a removable cover a^6 sliding in said grooves over the top of the rear wall, and abutting against the front wall and fastening devices for securing said cover in closed position. 4th. A fastening device for boxes and the like, comprising an aperture in the wall of the box, a bolt projecting from the cover of the box through said aperture and provided with a hole in its projecting end, and a ring divided angularly and threaded through said hole. 5th. A fastening device for boxes and the like, comprising an aperture in the wall of the box, a bolt projecting from the cover of the box through said aperture and provided with a hole in its projecting end, and a ring divided angularly on a plane and threaded through said hole, substantially as described. 6th. A folding case comprising front, rear and side walls hinged together, a removable bottom fitting within said walls and resting on projections at their lower edges, a removable

cover sliding in grooves in the upper inner faces of the two opposite walls, a bolt projecting from said cover, a countersunk aperture casing in an adjacent wall through which said bolt is adapted to project, a hole in the end of said bolt, and a ring divided angularly and threaded through said hole, substantially as described. 7th. A folding case comprising front, rear and side walls hinged together by hinges having continuous straps, a removable bottom resting on projections at the lower edges of said walls and having transverse sheet metal strips secured to its under side, a removable cover sliding in grooves in the upper inner faces of the side walls, under-cut reinforcing strips secured to the outer faces of said side walls opposite said grooves and forming handles, a bolt projecting from the cover through an aperture in the front wall, a hole in the end of said bolt, and a ring divided angularly, and threaded through said hole, substantially as described.

No. 61,670. Seat for Shop Counters. (Siege pour comptoirs.)



Samuel Clarke, Perth, Ontario, Canada, 8th November, 1898; 6 years. (Filed 11th October, 1898.)

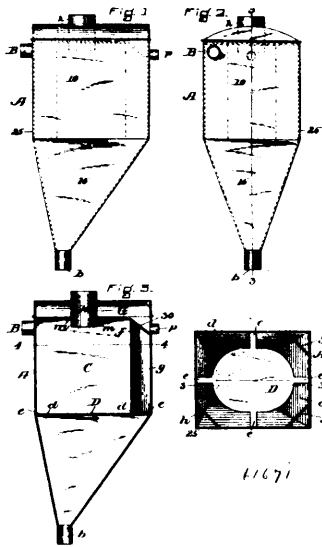
Claim.—1st. A folding seat for counters, comprising a bracket, an arm pivotally mounted thereon, said arm being adapted to be moved into and out of a horizontal position, a seat secured at the outer end of said arm, a supporting arm pivotally connected to the lower end of said bracket and having a sliding connection with said seat carrying arm, and a catch secured in said seat carrying arm and located in the path of movement of said supporting arm, substantially as described. 2nd. A folding seat for counters, comprising a bracket secured to the face of the counter, a seat carrying arm pivotally connected to said bracket, said arm having a movement into and out of a horizontal position, a partially enclosed slot or recess formed at the outer end of said seat carrying arm, said slot or recess extending longitudinally of said arm, a supporting arm pivotally connected to the lower end of said bracket, said arm having an enlarged head adapted to fit in said slot and have a sliding connection with said seat carrying arm, and a spring actuated catch connected to said seat carrying arm and extending across said slot or recess within the path of movement of said supporting arm, said catch forming a stop for the movement of said supporting arm when moving in one direction, substantially as described. 3rd. A folding seat for counters, comprising a bracket secured to the face of the counter, a seat carrying arm pivotally connected to said bracket, said arm having a movement into and out of a horizontal position, a partially enclosed slot or recess formed at the outer end of said seat carrying arm, said slot or recess extending longitudinally of said arm, a supporting arm pivotally connected to the lower end of said bracket, said arm having an enlarged head adapted to fit in said slot and having a sliding connection with said seat carrying arm, a spring actuated catch connected to said seat carrying arm and extending across said slot or recess within the path of movement of said supporting arm, said catch forming a stop for the movement of said supporting arm when moving in one direction, and a spring secured to said bracket adapted to hold said seat carrying arm in its folded position, substantially as described.

No. 61,671. Dust Separator. (Séparateur pour la poussière.)

Arthur Whittaker Banister, Boston, Massachusetts, U.S.A., 8th November, 1898; 6 years. (Filed 12th October, 1898.)

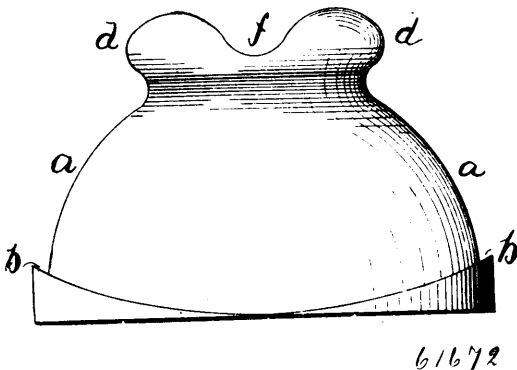
Claim.—A dust-separator comprising the casing A, consisting in the upper rectangular portion 10, within which is the receiving-chamber C, the top chamber G, and the lower downwardly-tapering chamber 15, terminating in a dust outlet b , a horizontal plate D, spaced from the inner walls of chamber C, and separating it from the lower chamber 15, an inlet B, in one of the upper corners of the front side of the chamber C, a plate or partition separating the chambers C, G, and having an enlarged opening m , and a down-

wardly-inclined front edge forming a deflector across the upper front angle of chamber C, and also forming a downward incline 30, within



the chamber G, an outlet *p*, from chamber G, at the lower edge of said incline 30, an air-outlet tube *k*, extending down through top of chamber G, into the enlarged opening *m*, and vertical plates *gg*, and *h*, crossing the angles formed by the two rear corners of chamber C, and that front corner farthest from the opening B, said plates extending from the top to the bottom of said chamber C, and forming deflectors, substantially as described.

No. 61,672. Insulator. (*Insulateur.*)



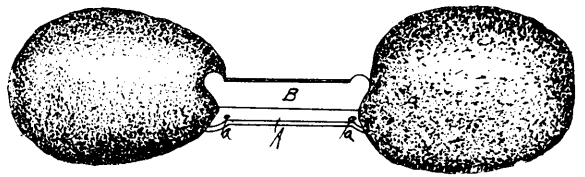
Fred Morton Locke, Victor, New York, U.S.A., 8th November, 1898; 6 years. (Filed 11th November, 1897.)

Claim.—1st. An insulator having its outer skirt oblong, and means for conducting the moisture towards its lateral extremities. 2nd. An insulator having a skirt constructed oblong, and means for conducting the moisture towards its lateral extremities, its top being provided with tie-wire, lugs or bosses. 3rd. An insulator which is as broad or broader than it is high, and which is provided with semi-circular troughs or grooves *d*, extending around the periphery of the skirt, and inclining toward the points of the skirt having the greatest breadth, substantially as specified. 4th. An insulator which is oval or oblong in shape, and which is as broad or broader than it is high, and which is provided with semi-circular troughs or grooves *d*, extending around the periphery of the skirt, and inclining toward the points of the skirt, which have the greatest breadth, substantially as shown. 5th. An insulator having a spread greater than its height and shaped so as to be somewhat elliptical, and provided with a groove or trough upon its periphery so as to discharge the water at the ends of the longest diameter substantially as described. 6th. An insulator having a spread greater than its height, and having its skirt provided with means for conducting the moisture toward its lateral extremities, substantially as shown.

No. 61,673. Foot Scraper and Wiper. (*Dérotteur pour les pieds.*)

Israel Kenney, Detroit, Michigan, U.S.A., 8th November, 1898; 6 years. (Filed 11th June, 1898.)

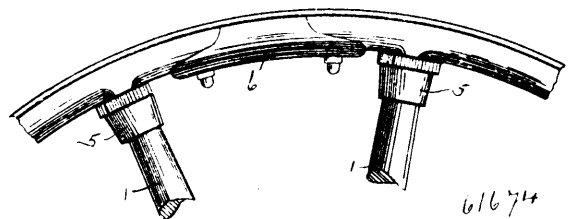
Claim.—In a foot-scraper and wiper, the combination of the plate, the scraper on said plate, the frame at the end of said plate, the bar



61673

formed integral therewith and extending across the opening in said frame, the wiping material extending under said bar over the sides of said frame, as set forth.

No. 61,674. Vehicle Wheel. (*Roue de voitures.*)

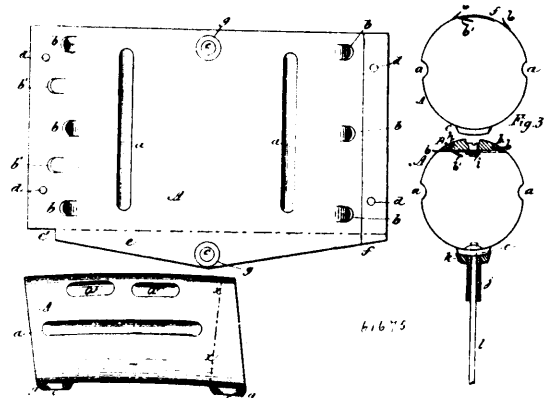


61674

Julian A. Foster, Salem, Wisconsin, U.S.A., 8th November, 1898; 6 years. (Filed 22nd August, 1898.)

Claim.—1st. A clip for the purpose described, comprising a plate, legs extended therefrom and having their extremities corrugated on opposite sides and adapted to overlap when positioned upon the felly, substantially as described. 2nd. The combination with the felly-sections having elongated slots, of the elongated plate provided with slots registering with the slots in the felly, said plate being adapted to be positioned upon the felly, said plate having legs extended therefrom and adapted to be overlapped on the opposite side of the felly, the overlapping portions being corrugated and bevelled on opposite side, substantially as described.

No. 61,675. Wheel Tire. (*Bandage de roues.*)



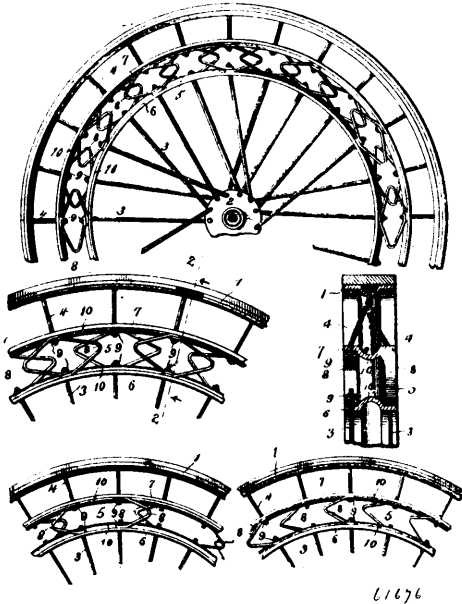
61675

James Jamieson, Hamilton, Ontario, Canada, 8th November, 1898; 6 years. (Filed 20th June, 1898.)

Claim.—1st. A series of tubular-shaped elastic sheet-metal sections formed with openings at the ends, each surrounded with a concavo-convex-shaped depression, for corresponding bolt-heads and nuts, grooves on the section for strength and elasticity, and lugs or projections to hold a pad all constructed when spokes and nut are attached thereto to form a wheel-tire for bicycles or other vehicles, substantially as specified. 2nd. A series of elastic sheet-metal sections constructed with raised lugs *b*, for clamping a pad attached to each section, grooves *a*, *a*, for elasticity, lugs *b*¹, *b*¹, to clasp the sides when bent in tubular form, bolt openings *c*, *c*, surrounded with concavo-convex recesses for corresponding bolt-heads and nuts, and openings *d*, *d*, for screws or rivets to fasten the sides together with a pad, and a lap *e*, substantially as and for the purpose specified. 3rd. A series of metallic tubular sections *A*, each provided with an opening *c*, for the end of a spoke bolt *j*, and each provided with a solid-rubber pad-section *B*, secured directly and detachably thereto, these sections *A* and *B*, collectively constituting a continuous, combined rim and tire, substantially as set forth. 4th. In combination

with the sheet metal elastic sections, having bolt openings surrounded with concavo-convex recesses, bolts having the underside of the head formed convex to fit said recesses, a screw-thread on the outside for a concave-faced threaded nut to screw thereon and a threaded hole on the inside to receive a spoke, substantially as and for the purpose specified. 5th. A series of tubular sections A, each having formed therewith one or more spoke-openings c, and two rows of outwardly-bent parts b, in combination with rubber-pads B, fitted between these outwardly-bent parts and fastened to the said sections, the latter and the pads thereon, forming a complete, continuous, combined tire and rim with rubber tread, substantially as set forth.

No. 61,676. Vehicle Wheel. (Roue de voitures.)



James Napoleon Johnson, Hattiesburg, Mississippi, U.S.A., 8th November, 1898; 6 years. (Filed 29th August, 1898.)

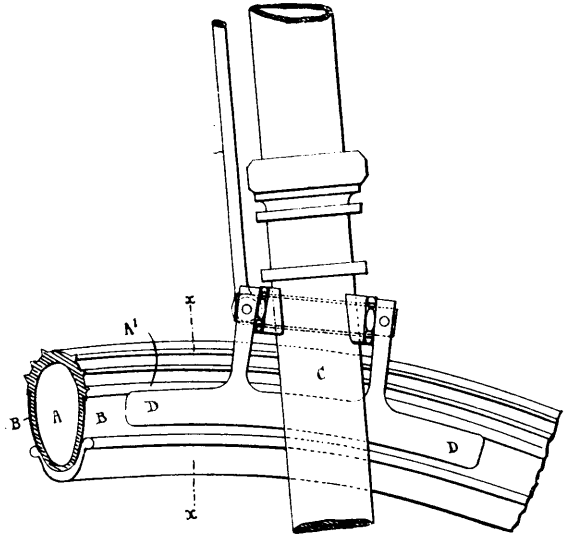
Claim.—1st. In a vehicle-wheel, the combination of a ring 6, concentric with the hub, a second ring 7, concentric with and surrounding the ring 6, springs placed between the rings 6 and 7, near their outer edges and in alternate relation, and spokes connecting the inner ends of the springs with the rings 6, and the latter with the hub, a rim concentric with the ring 7, and other spokes set staggering and connecting the outer ends of the springs with the ring 7, and the latter with the rim, substantially as described. 2nd. In a vehicle-wheel, the combination of concentric rings interposed between the hub and rim, approximately V-shaped springs interposed between the concentric rings and disposed in pairs, and having the springs of each pair arranged with their end portions overlapping, and inner and outer spokes connecting the pairs of springs together and to the rings and the latter to the hub and rim of the vehicle-wheel, respectively, substantially as set forth. 3rd. In a vehicle-wheel, the combination of concentric rings interposed between the hub and rim, and having ribs on their inner or opposing sides, springs arranged upon opposite sides of the ribs with their end portions in engagement with the sides thereof to prevent the springs from turning, and means for connecting the springs to the rings and the latter to the rim hub of the wheel, substantially as described. 4th. The herein-described vehicle-wheel, comprising a hub, a rim, concentric rings between the hub and rim having ribs on their opposite sides, approximately V-shaped springs arranged in pairs upon opposite sides of the ribs and having their end portions overlapping, and inner and outer spokes connecting the springs in pairs and to the rings and the latter to the hub and rim, respectively, substantially as set forth.

No. 61,677. Vehicle Tire. (Baudage de roues.)

Lestock Weatherly Cockburn, Hamilton, Ontario, Canada, 8th November, 1898; 6 years. (Filed 12th September, 1898.)

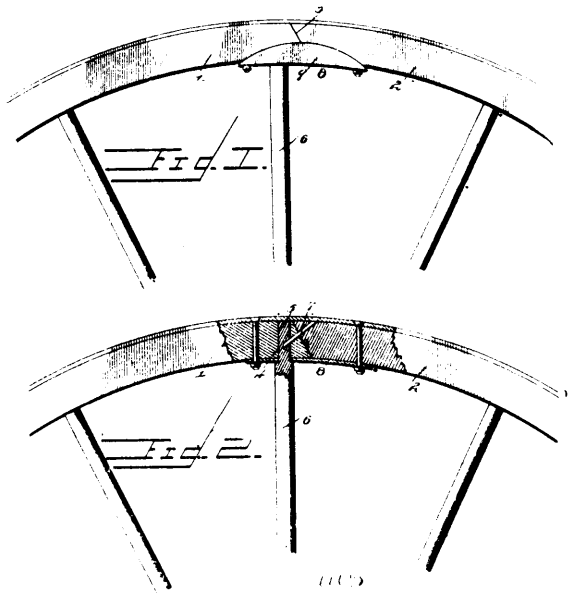
Claim.—1st. A pneumatic or other wheel-tire provided on either side thereof with a band or strip of waxed canvas or similar material to form a suitable surface against which to apply a brake, substantially as hereinbefore set forth. 2nd. The combination of a wheel provided with a pneumatic or other tire having on either side thereof a band or strip of waxed canvas or similar material, and a brake so constructed and arranged that, when in operation, the brake-shoes thereof will bear against the said bands or strips, substantially as

hereinbefore set forth. 3rd. A band or strip of waxed canvas or similar material of the shape hereinbefore described and adapted to



be readily applied and caused to adhere to the side of a pneumatic or other tire, for the purpose above specified.

No. 61,678. Vehicle Wheel. (Roue de voitures.)

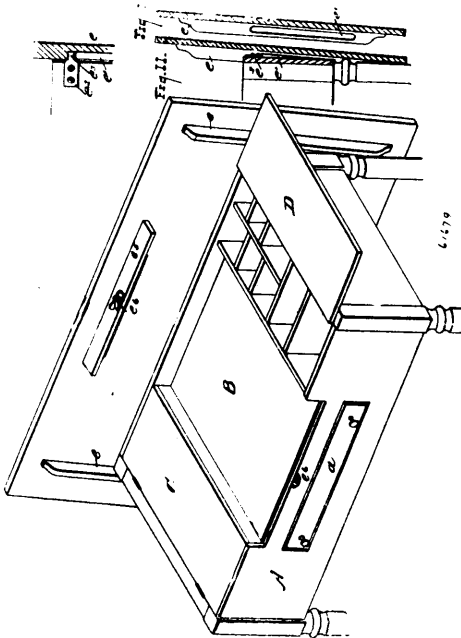


James Charles Hoskins, Vaught, Philipsburg, Montana, U.S.A., 8th November, 1898; 6 years. (Filed 29th September, 1898.)

Claim.—1st. In the construction of waggon and vehicle-wheels, rim sections having their matching ends obliquely jointed, the rim sections having the end outwardly bevelled being formed with an opening adjacent to the joint for the reception of the tenon of a spoke, and a dowel-pin extended across the oblique joint and fitted into registering openings formed in the matching ends of the adjacent rim sections, substantially as set forth. 2nd. In a vehicle or waggon-wheel, rim sections obliquely jointed, the section having its end outwardly bevelled being provided with an opening adjacent to the joint, a spoke having its tenoned end fitted into said opening, and a dowel-pin extending across the oblique joint and passing through the matching ends of adjacent rim sections and entering the tenoned end of the aforesaid spoke, substantially as set forth. 3rd. In a vehicle-wheel, the combination of rim sections jointed on an oblique line, the section having the outwardly bevelled end being provided with an opening contiguous to the oblique joint, a spoke having its tenoned end fitted into the said opening, a dowel-pin extending across the oblique joint and entering the tenoned end of the spoke, a plate overlapping the joint and having its portions flanged and embracing the sides of the rim sections, and provided near one end with an opening for the reception of the tenon of the afore-described

spoke, and means for securing the ends of the plate to the rim sections bordering upon the said oblique joint, substantially as set forth.

No. 61,679. Kitchen Table. (*Table de cuisine.*)

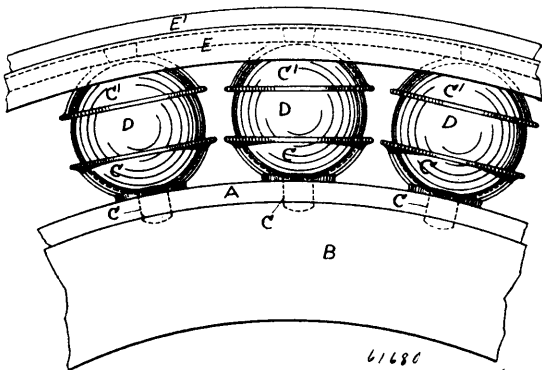


Charles W. Fox, Detroit, Michigan, U.S.A., 8th November, 1898; 6 years. (Filed 17th October, 1898.)

Claim.—1st. A kitchen table consisting of a body, a depressed moulding board and a series of receptacles, substantially as described. 2nd. A kitchen table consisting of the depressed moulding board, a series of receptacles and a pivoted cover adapted to cover the whole, substantially as described. 3rd. In a kitchen table, the combination of the body provided with the depressed moulding board and the receptacles with a cover pivoted to the body adapted to move downward back of the table on the pivots, substantially as described. 4th. In a kitchen table, the combination of the body provided with the moulding board and the receptacles with a cover pivoted to the body adapted to move downward back of the table on the pivots, substantially as described.

No. 61,680. Pneumatic or Spring Tire.

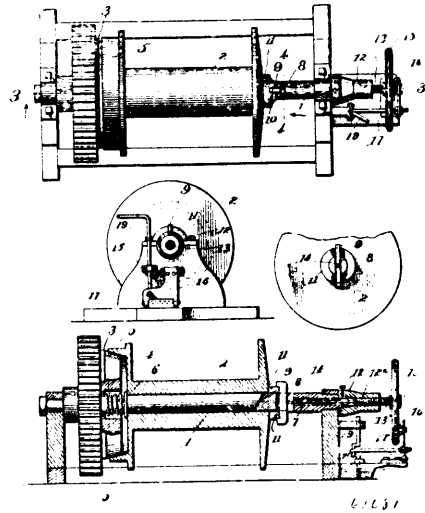
(*Bandage pneumatique ou à ressort.*)



Thomas McKinnon, 2 Oswald Street, and James Pringle, 124 Stanley Street, both in Glasgow, Scotland, 8th November, 1898; 6 years. (Filed 28th September, 1898.)

Claim.—1st. In a wheel tire, the combination with the felloe or rim of an outer tread ring, a series of cups adjustably secured to the rim and fitted with hollow rubber balls and a corresponding series of inverted cups secured to the tread ring engaging said balls, substantially as described. 2nd. In combination with a wheel felloe or rim formed with cavities or fitted with cups for the reception of balls, hollow rubber balls fitted therein and an outer tread ring having formed or secured on its inner surface a series of cavities or cups adapted to engage said balls, substantially as described.

No. 61,681. Friction Clutch. (*Embrayage à friction.*)

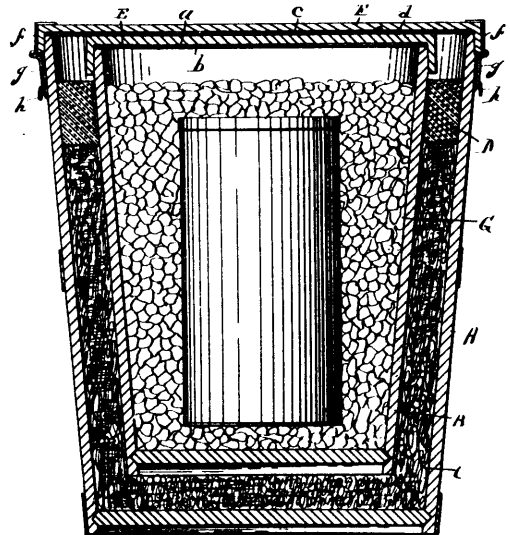


Edward Turney, Portland, Oregon, U.S.A., 8th November, 1898; 6 years. (Filed 21st October, 1898.)

Claim.—1st. The combination with a drum, its shaft and endwise-movable clutch-adjusting screw-spindle carried by said drum shaft, of a brake mechanism substantially as described having a brake arm pivoted and adapted to move in the direction of movement of said spindle and adapted to retard the latter when the shaft and spindle are in motion, for the purpose described, substantially as set forth. 2nd. The combination with a drum, its shaft, a nut carried thereby, and an endwise movable spindle mounted in said nut and carrying a band-wheel, of a brake arm hung by a transverse pivot and movable toward or from the face of the band-wheel in the direction of the endwise adjustment of said spindle, a brake shoe carried by said brake arm to ride against the face of the hand-wheel, and means connected to the brake arm to adjust the latter, substantially as described.

No. 61,682. Package for Ice Cream.

(*Vaisseau pour crème à la glace.*)



George W. Pierce and James G. Pierce, both of Detroit, Michigan, U.S.A., 8th November, 1898; 6 years. (Filed 17th October, 1898.)

Claim.—1st. In a package for the purpose described, the combination of the outer case, the inner case located within the outer case and spaced therefrom, the filling of non-conducting material located in the intervening space between the sides and bottoms of said cases,

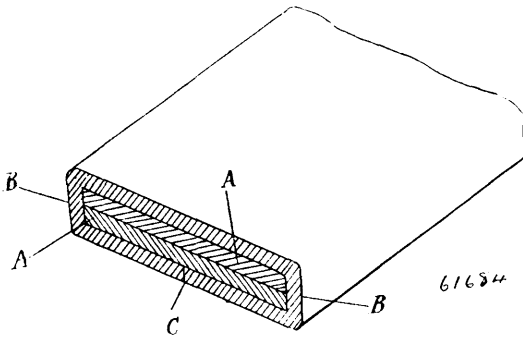
the layer of cement between said cases at their ends and upon said non-conducting filling, the inner and outer covers adapted to close the upper ends of said cases respectively, said covers being provided with a lining of non-conducting material. 2nd. In a package for the purpose described, the combination of the outer case, the inner case located within said outer case and spaced therefrom, the top of said inner case being slightly lower than the top of the outer case, the filling of non-conducting material located in the intervening space between the sides and bottoms of said cases, the layer or filling of impervious material between the upper portion of said cases and upon the top of said non-conducting filling, said layer or filling of impervious material being located below the extreme top of said cases, the flanged inner cover adapted to tightly close the top of said inner case and provided with a lining of non-conducting material, the outer cover adapted to close the upper end of the outer case and to fit tightly over the top of said inner cover, and the attaching means for detachably securing said outer cover in place.

No. 61,683. Milk Preserving Method.
(Méthode de préserver le lait.)

Niels Soren W. K. Buchtrup, Bjornehedegaard, Jutland, Denmark, 8th November, 1898; 6 years. (Filed 17th October, 1898.)

Claim.—Method of preserving milk or cream consisting in heating the said liquid to from 60° to 90° centigrade and adding, whilst the liquid being stirred, 5 to 20 grammes sugar and 3-16 grammes boric acid for each kilogram of the liquid, whereafter the liquid is cooled down as quickly as possible and filled in hermetically closed tanks.

No. 61,684. Belting, Carding-Cloths, Soling, etc.
(Fabrication de matières pour courroies cardages, semelles, etc.)



Charles Edward Shaw, Rickers, Stafford, assignee of Frederick Weaver, assignee of The Publishing, Advertising and Trading Syndicate, all of 40 King Street, Cheapside, London, England, 9th November, 1898; 6 years. (Filed 1st December, 1896.)

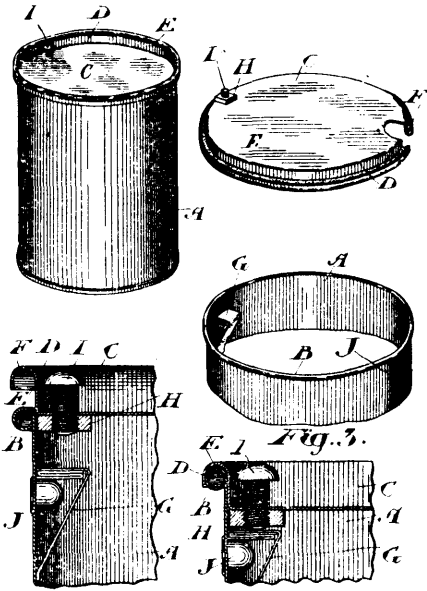
Claim.—Belting consisting of strips of woven fabric saturated with liquid celluloid and enveloped in a wrapper slightly wider than double the width of the strips similarly saturated and folded over and cemented to the strip and with its two edges meeting in the middle of the inner face of the belt, the whole united by celluloid acting as cementing medium, substantially as shown and described.

No. 61,685. Self-Sealing Can.
(Bidon se fermant automatiquement.)

David Macdonald and William Tassie, Toronto, Ontario, Canada, 9th November, 1898; 6 years. (Filed 19th October, 1898.)

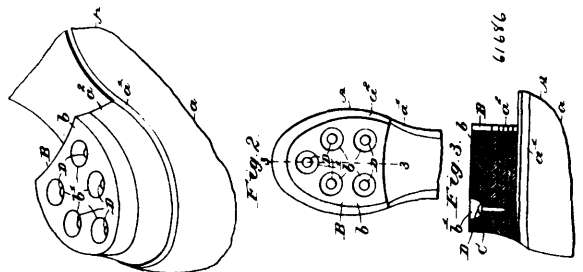
Claim.—1st. In a self-sealing can, a body provided with an enlarged rim, in combination with a cover having an annular recess formed round its edge, the sides of which are adapted to tightly embrace the aforesaid rim, substantially as and for the purpose specified. 2nd. In a self-sealing can, a body provided with an enlarged rim, in combination with a cover having an annular recess formed round its edge, the sides of which are adapted to tightly embrace the aforesaid rim, and an annular strip of packing inserted in the said recess, substantially as and for the purpose specified. 3rd. In a self-sealing can, a body provided with an enlarged rim, in combination with a cover having an annular recess formed round its edge, the sides of which are adapted to tightly embrace the aforesaid rim, a lug fast on the side of the body, and a screw threaded through the cover and adapted to engage the said lug, substantially as and for the purpose specified. 4th. In a self-sealing can, a body and a cover held upon the body by frictional engagement between suitably shaped portions of the body and cover, a lug fast on the side of the body, and a screw threaded through the cover and adapted to engage the said lug, substantially as and for the purpose specified. 5th. In a self-sealing can, a body provided with an enlarged rim of curved section as to its upper surface, in combination with a cover having an annular recess formed round its edge curved in section to fit the aforesaid rim, and having its sides adapted to tightly embrace the rim, substantially as and for the purpose specified. 6th. In a self-sealing can, a body provided with an outwardly turned enlarged rim of curved section as to its upper surface, in combination with a

cover having an annular recess formed round its edge curved in section to fit the aforesaid rim, and having its sides adapted to



tightly embrace the rim, and an annular strip of normally flat packing placed within the recess, substantially as and for the purpose specified. 7th. In a self-sealing can, a body provided with an outwardly turned enlarged rim of curved section as to its upper surface, in combination with a cover having an annular recess formed round its edge curved in section to fit the aforesaid rim, and having its sides adapted to tightly embrace the rim, an annular strip of normally flat packing placed within the recess, a lug fast on the side of the body, and a screw threaded through the cover and adapted to engage the said lug, substantially as and for the purpose specified. 8th. In a self-sealing can, the body A, provided with an outwardly turned enlarged rim B, curved in section as to its upper surface, in combination with the cover C, the upwardly turned flange D, formed on the cover and adapted to fit closely within the body A, the flange E, formed on the cover, and so shaped as to tightly embrace the rim B, and also to form the recess F, with curved bottom, substantially as and for the purpose specified. 9th. In a self-sealing can, the body A, provided with an outwardly turned enlarged rim B, curved in section as to its upper surface in combination with the cover C, the upwardly turned flange D, formed on the cover and adapted to fit closely within the body A, the flange E, formed on the cover and so shaped as to tightly embrace the rim B, and also to form the recess, F, with curved bottom, the lug H, secured to the cover, the screw I, threaded through the nut and the lug G, secured to the side of the body, substantially as and for the purpose specified.

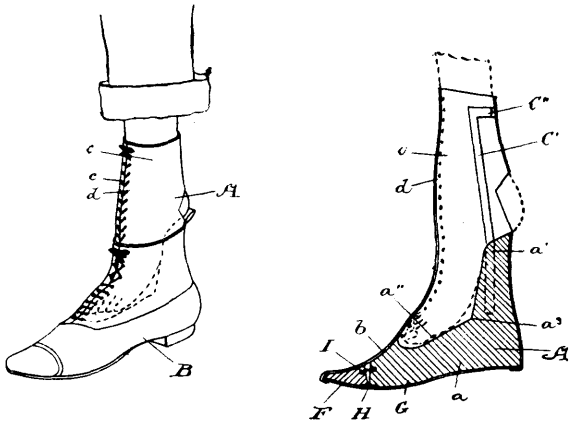
No. 61,686. Heel. (Talon.)



O'Sullivan Brothers, assignee of Humphrey O'Sullivan, Lowell, Massachusetts, U. S. A., 9th November, 1898; 6 years. (Filed 18th October, 1898.)

Claim.—1st. As an article of manufacture, a top lift of elastic material for heels for boots or shoes having a plurality of small burrs or washers embedded therein, each being adapted to receive a nail or screw to secure said lift to the body of the heel, substantially as described. 2nd. As an article of manufacture, a top lift of elastic material for heels for boots or shoes, provided with outwardly flaring suction-recesses in its outer face, extending partially through the thickness of the lift and having burrs or washers embedded in said lift under said recesses, adapted to receive nails or screws to secure said lift to the body of the heel, substantially as described.

No. 616,87. Shoe. (Chaussure.)

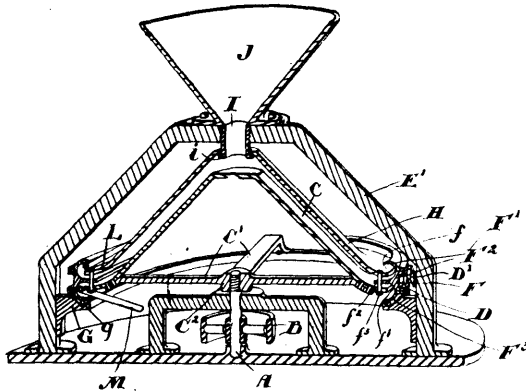


61687

Arthur Ivey and Emil Wienert, both of Toronto, Ontario, Canada, 9th November, 1898; 6 years. (Filed 17th October 1898.)

Claim.—1st. An extension shoe for cripples embracing in its construction an inner sole having an upward projection forming a rest or support for the ball of the foot and toes between the upward projection and toe of the inner sole, substantially as specified. 2nd. An extension shoe for cripples embracing in its construction an inner sole having an upward projection forming a rest or support for the heel, and a seat forming a rest or support for the ball of the foot and toes between the upward projection and toe of the inner sole, and a covering for the inner sole having a legging projecting above the top of the upward projection to embrace the ankle and leg, substantially as specified. 3rd. An extension shoe for cripples embracing in its construction an inner sole having an upward projection forming a rest or support for the heel, a seat forming a rest or support for the ball of the foot and toes between the upward projection and toe of the inner sole, a covering for the inner sole having a legging projecting above the top of the upward projection to embrace the ankle and leg, an opening in the back of the legging, and a brace connected to the sides of the upward projection having a cross piece at the back curved to correspond to the leg, substantially as specified.

No. 61,688. Concentrator. (Concentrateur.)



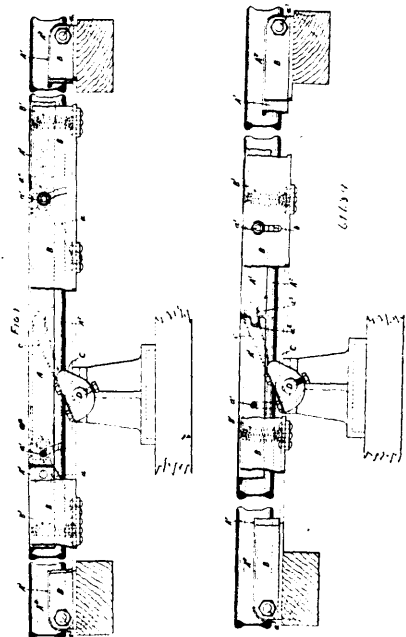
61688

Archibald Francis Perks, Port Hope, and Alvin Gronk, Aylmer, both in Ontario, Canada, 9th November, 1898; 6 years. (Filed 12th April, 1898.)

Claim.—1st. In a concentrator, the combination with the cone-shaped lower casing supported on a suitable shaft suitably driven, and a similar cone-shaped casing extending over the lower casing and having a central orifice, means for supporting such casings in position, of a ring having annular recesses into which the edges of the casings extend and are affixed, and means for removing the separated material from both the upper and lower annular recesses as the casings and ring are caused to rotate as and for the purpose specified. 2nd. In a concentrator, the combination with the cone-shaped lower casing supported on a suitable shaft suitably driven, and a similar cone-shaped casing extending over the lower casing and having a central orifice, means for supporting such casing in position, of a ring having annular recesses in which the edges of the casings extend and are affixed and tubes extending into the annular recesses tangentially as the casings and ring are caused to rotate as and for the purpose specified. 3rd. In a concentrator, the combination with the cone-shaped lower casing supported on a suitable shaft suitably driven, and a similar cone-shaped casing extending over the lower casing and having a central orifice, means for supporting such casing in position, of a ring having annular recesses into which the edges of the casing extend, means for removing the separated material from both the upper and lower annular recesses, a toothed ring encircling the casing and a spring hammer designed to engage therewith as and for the purpose specified. 4th. In a concentrator, the combination with the cone-shaped lower casing supported on a suitable shaft suitably driven, and a similar cone-shaped casing extending over the lower casing and having a central orifice, means for supporting such casing in position, of a ring having annular recesses into which the edges of the casing extend, means for removing the separated material from both the upper and lower annular recesses, a hopper at the top of the tube, a central tube leading into the casing and a hopper at the top of the tube, a ring having annular recesses into which the edges of the casing extend and a supporting frame through which the tube extends, as and for the purpose specified. 5th. In a concentrator, the combination with the cone-shaped lower casing, the shaft supporting the same, suitable bed-plate and bearings for the shaft on same, the upper cone-shaped casing provided with a central orifice, the rings provided with annular recesses and divided into three parts and a suitable ring bearing for supporting the ring upon the frame, as and for the purpose specified.

cone-shaped lower casing supported on a suitable shaft suitably driven, and a similar cone-shaped casing extending over the lower casing and having a central orifice, means for supporting such casing in position, of a ring having annular recesses in which the edges of the casing extend and are affixed and tubes extending into the annular recesses tangentially as the casings and ring are caused to rotate as and for the purpose specified. 3rd. In a concentrator, the combination with the cone-shaped lower casing supported on a suitable shaft suitably driven, and a similar cone-shaped casing extending over the lower casing and having a central orifice, means for supporting such casing in position, of a ring having annular recesses into which the edges of the casing extend, means for removing the separated material from both the upper and lower annular recesses and means for vibrating the lower casing and ring as they rotate as and for the purpose specified. 4th. In a concentrator, the combination with the cone-shaped lower casing supported on a suitable shaft suitably driven, and a similar cone-shaped casing extending over the lower casing and having a central orifice, means for supporting such casing in position, of a ring having annular recesses into which the edges of the casing extend, means for removing the separated material from both the upper and lower annular recesses, a toothed ring encircling the casing and a spring hammer designed to engage therewith as and for the purpose specified. 5th. In a concentrator, the combination with the cone-shaped lower casing supported on the end of a suitable shaft suitably driven, so as to rotate the casing, and a similar cone-shaped casing extending over the lower casing parallelly with same, a central tube leading into the casing and a hopper at the top of the tube, a ring having annular recesses into which the edges of the casing extend and a supporting frame through which the tube extends, as and for the purpose specified. 6th. In a concentrator, the combination with the cone-shaped lower casing supported on the end of a suitable shaft suitably driven, so as to rotate the casing, and a similar cone-shaped casing extending over the lower casing parallelly with same, a central tube leading into the casing and a hopper at the top of the tube, a ring having annular recesses into which the edges of the casing extend and a supporting frame through which the tube extends, as and for the purpose specified. 7th. In a concentrator, the combination with the cone-shaped lower casing, the shaft supporting the same, suitable bed-plate and bearings for the shaft on same, the upper cone-shaped casing provided with a central orifice, the rings provided with annular recesses and divided into three parts and a suitable ring bearing for supporting the ring upon the frame, as and for the purpose specified.

No. 61,689. Railway Signal. (Signal de chemin de fer.)

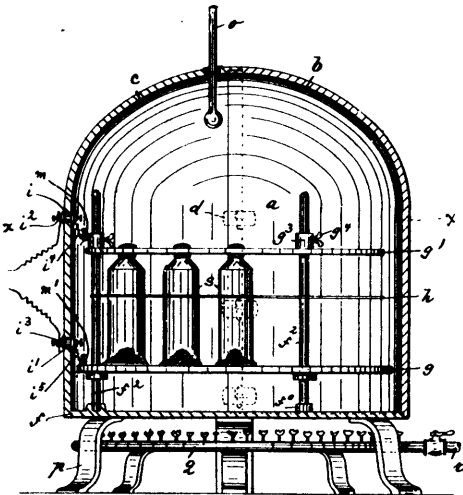


The Electric Fog Signal Syndicate, 16 Cockspur Street, and Herbert Tomlins, 100 Hammersmith Road, all of London, England, 9th November, 1898; 6 years. (Filed 24th November, 1897.)

Claim.—1st. In the herein described explosive signalling apparatus, a revolving cartridge-holding disc having pairs of cartridge-holding chambers or barrels arranged in a circle, the two members or barrels of each pair being on the same radius, in combination with a breech-block common to the two chambers or barrels, and hinged to swing outward toward the circumference when opened, firing-pins for the two barrels yoked together, and a firing-hammer adapted to act on both firing-pins, substantially as specified. 2nd. In the herein-des-

cribed explosive signalling mechanism the combination, with a revolving cartridge-holding disc provided with breech-closing and firing mechanism as described, of a spring projected retractable wiper for acting on the firing-hammer as described, the wiper being carried by an arm on a treadle-operated rock-shaft, an electro-magnet whereof the armature is connected to the wiper so as, when attracted, to retract the wiper from operative position, a switch connected to the signal-operating mechanism so as to close the circuit of the electro-magnet when the signal is moved to all right, and of retaining mechanism consisting of a lever-bolt caused to engage the wiper and retain it in the retracted inoperative position until, by the oscillation of the rock-shaft by the depression of the treadle, the lever bolt is tripped by contact with a fixed abutment and the wiper is permitted to resume its operative position in readiness for acting when next the signal is put to danger, substantially as specified. 3rd. In the herein described explosive signalling apparatus, the combination with a revolving cartridge-holding disc, of a gravity or spring operated pawl-arm, engaging with the disc so as to give step by step motion thereto, and fast on a rock-shaft provided with another arm adapted when raised to be acted on by a wheel-depressed treadle, retaining mechanism consisting of a latch-lever engaging with a catch for preventing the action of the lever, and of electro-magnetic releasing mechanism for disengaging the latch on the closure of the magnet-circuit by a switch operated by the movement of the signal to danger, so that when the pawl-arm is thus permitted to act, the cartridge-carrying disc will be partially rotated to bring the next chamber to firing position and raise the other arm on the rock-shaft into position to be acted on by the depression of the treadle as specified. 4th. In the herein-described explosive signalling mechanism, the combination with a revolving disc having cartridge-holding chambers provided with breech-closing blocks, fire-pins and a spring-actuated hammer pivoted in position to act on the firing mechanism which is in firing position, of a radial wiper mounted on a rock-shaft concentric with the cartridge-disc so as to swing through an arc by the rocking motion of the shaft, the wiper being mounted adjustably in such position that it may either be projected so as to act on the said fire-hammer, or to be retracted so as to pass clear of the hammer without acting on it, according as the fog-signal is or is not to be fired, as specified. 5th. In the herein-described explosive signalling mechanism, the combination with each breech mechanism having its own firing-hammer, of an indicator consisting of a spring-plate pivoted to the breech-block in position to be swung beneath the fire-hammer of the mechanism to which it pertains, a spring tending to swing such indicator-plate from beneath the hammer, and a lip on the indicator-plate adapted to be swung into locking engagement with the said hammer and to be released therefrom by the cocking of said hammer, substantially as specified.

No. 61,690. Process and Apparatus for Sterilizing Surgical Dressing, etc. (*Procédé et appareil pour stériliser les appareils de pansement, etc.*)



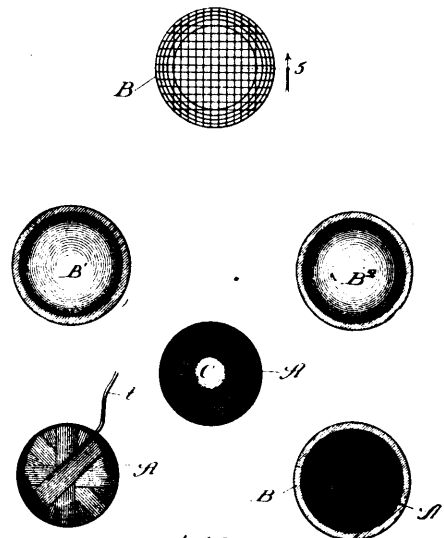
61690

Theodore Young Kinne, Paterson, New Jersey, U.S.A., 9th November, 1898; 6 years. (Filed 2nd August, 1898.)

Claim.—1st. The herein described method of sterilizing surgical dressings together with metallic containers therefor consisting in subjecting said dressing to a temperature of from 100 to 120° F, and in subsequently subjecting said dressing to the action of an electric current, substantially as specified. 2nd. The herein described method of sterilizing surgical dressing, which consists in first introducing the same in suitable containers having the quality of electri-

cal conductivity, in afterwards subjecting the same to a temperature of from 100 to 120° F, and in subsequently subjecting said dressings and the containers therefor to the action of an electric current, substantially as specified. 3rd. The herein described method of sterilizing surgical dressings, which consists in first introducing the same into metallic containers, in then expelling the air from and hermetically sealing said containers in subjecting said dressings and the containers therefor to a temperature of from 100 to 120° F, and in subsequently subjecting the same to the action of an electric current, substantially as specified. 4th. In a sterilizing apparatus, a sterilizing chamber adapted to receive the article or articles to be sterilized, supports for said article or articles arranged in said chamber and connected with a source of electricity and constituting electric conductors between said article or articles and the source of electricity, and means for heating said chamber and its contents, substantially as specified. 5th. In a sterilizing apparatus, the combination with containers for the article to be sterilized and a chamber adapted to receive said containers, of a pair of supports for the containers arranged in said chamber and adapted to be electrically connected by said containers, means for heating said chamber and its contents, and an electric circuit including said supports and the containers, substantially as specified. 6th. In a sterilizing apparatus, the combination with metallic containers for the articles to be sterilized and a chamber adapted to receive said containers, of a pair of substantially parallel metallic supports arranged in said chamber and adapted to be electrically connected by said containers, means for heating said chamber and its contents, and an electric circuit including said supports and the containers, substantially as specified. 7th. In a sterilizing apparatus, the combination with a chamber, of a horizontal metallic disc arranged one above the other, in said chamber, one of said discs being adjustable with reference to the other, metallic containers for the article to be sterilized resting upon the lower disc and in contact with the upper disc, means for heating the said chamber and its contents, and an electric circuit including said discs and the containers, substantially as specified. 8th. In a sterilizing apparatus, the combination with a chamber, of vertical insulating rods mounted therein, a pair of parallel metallic discs carried by said rods the one above the other, the upper disc being adjustable on said rods, metallic containers for the article to be sterilized resting upon the lower disc and in contact with the upper disc, means for heating the chamber and its contents, and an electric circuit including said discs and the containers, substantially as specified. 9th. In a sterilizing apparatus, the combination with a chamber comprising two hinged sections and securing said sections together, vertical insulating rods mounted having a common bottom secured to one of said sections, means for on the bottom parallel metallic discs arranged one above the other and mounted upon said rods, metallic containers for the article to be sterilized resting upon the lower disc and penetrating and in contact with the upper disc, heating means situated beneath and adapted to heat said chamber and its contents, and an electric circuit including said metallic discs and the containers, and a thermometer suitably mounted on and projecting into said chamber, substantially as specified.

No. 61,691. Ball. (*Boule.*)



61691

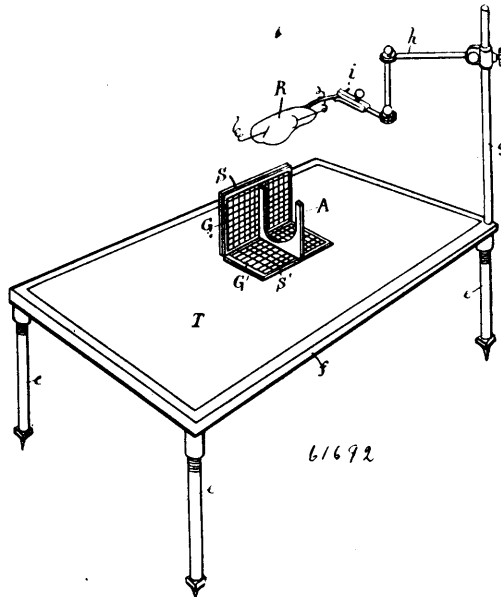
Bertram George Work, Akron, and Coburn Haskell, Cleveland, both in Ohio, U.S.A., 9th November, 1898; 6 years. (Filed 9th August, 1898.)

Claim.—1st. A ball, comprising a core formed with a rubber thread wound into spherical form under tension approaching the

elastic limit, and a shell of relatively hard inelastic material inclosing said core, substantially as and for the purpose set forth. 2nd. A ball, comprising a core composed wholly or in part of rubber thread wound under high tension, and a gutta-percha shell inclosing said core, substantially as and for the purpose set forth. 3rd. A ball, comprising a central core-section, rubber thread wound thereon under tension, and an inclosing shell of relatively hard inelastic material, substantially as and for the purpose set forth. 4th. A ball, comprising a central core-section of relatively non-elastic material, rubber thread wound thereon under tension, and an inclosing shell of gutta-percha, substantially as and for the purpose set forth.

No. 61,692. Radiographic Apparatus.

(Appareil radiographique.)



61692

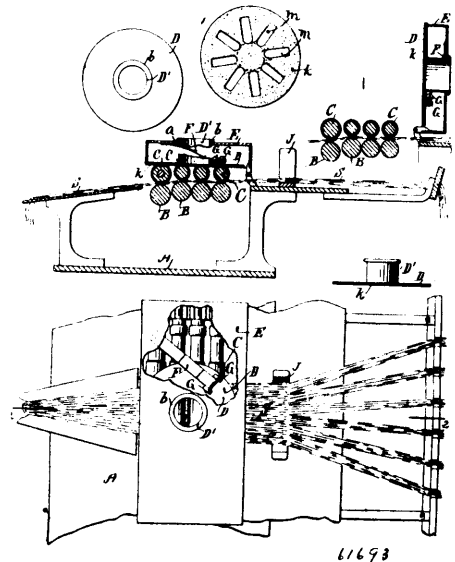
John Dennis and Samuel Willis Puffer, both of Rochester, New York, U.S.A., 11th November, 1898; 6 years. (Filed 27th April, 1898.)

Claim.—1st. The combination with a source of X-rays, of a fluorescent or sensitive surface, and two non-permeable bars arranged in the same plane in the radiographic field between the source and the surface, one between the source and the radiographic object, and the other between such object and the said surface, substantially as described. 2nd. The combination with a source of X-rays, of a fluorescent or sensitive surface, and two non-permeable bars arranged in the same plane in the radiographic field between the source and the surface, the said source, surface bars being relatively adjustable, and one of the bars being placed between the source and the radiographic object and the other between the said object and the said surface, substantially as described. 3rd. The combination of a source of X-rays, a fluorescent or sensitive surface, and an intermediate non-permeable angle-plate, consisting of two parallel bars separated by an interval and arranged in a plane coincident with the direction of the rays, so that the two bars project but a single shadow on the screen, substantially as described. 4th. The combination of a source of X-rays, a fluorescent surface, a metallic or non-permeable grating, and an intermediate impermeable angle-plate, having arms arranged at an angle with each other, substantially as described. 5th. The combination of a source of X-rays, a sensitive surface, an interposed metallic or impermeable grating, an intermediate impermeable bar or plate, and an adjustable table, substantially as described. 6th. The combination with a source of X-rays, of an apertured glass table, a metallic or impermeable grating, and a sensitive surface, substantially as described. 7th. The combination of an adjustable source of X-rays, a suitable supporting-table, two impermeable gratings arranged at angles with each other, two corresponding sensitive surfaces, and an impermeable bar or plate adapted to establish a base-line for measurements, substantially as described. 8th. The combination of an adjustable source of X-rays, an apertured glass supporting-table, two impermeable gratings arranged at angles with each other, one of said gratings being placed across the aperture in the table, two corresponding sensitive surfaces, and an impermeable bar or plate adapted to establish a base-line for measurements, substantially as described. 9th. The combination of a source of X-rays, a fluorescent or sensitive surface, an interposed metallic or non-permeable grating, and an intermediate non-permeable angle-plate, consisting of two parallel bars separated by an interval and arranged in a plane coincident with the direction of the rays, whereby the two bars project but a single shadow and an undistorted image of the grating is secured on

the screen, substantially as described. 10th. The combination with a source of X-rays, of an apertured glass table, a metallic or impermeable grating, a sensitive surface, and an interposed impermeable bar or plate, substantially as described.

No. 61,693. Rotary Clearer for Cotton Machinery.

(Appareil à nettoyer les rouleaux des machines à coton.)



61693

James Thomson, Pawtucket, Rhode Island, assignee of Socrates Scholfield, Providence, both in Rhode Island, U.S.A., 11th November, 1898; 6 years. (Filed 14th March, 1898.)

Claim.—1st. The combination of the drawing-rolls, with a clearing disc having its side arranged to bear upon the top rolls, and means for imparting rotary movement to the clearing-disc, substantially as described. 2nd. The combination of the drawing-rolls, with a clearing-disc having its side arranged to bear upon the top rolls, and means for causing the clearing-disc to bear with greater pressure upon the rolls at one side of its axis, than upon the other side, thus causing the rotation of the disc, substantially as described. 3rd. The combination of the drawing-rolls with a rotary clearing-disc provided with an opening or recess, adapted to receive the collected waste, substantially as described. 4th. The combination of the drawing-rolls and the cover for the rolls, with the clearing-disc held for rotation in the cover, substantially as described.

No. 61,694. Paint. (Peinture.)

The Siderosthen Paint Syndicate, 91 Queen Victoria Street, London, England, assignee of Karl Ludwig Valentine Zimer, 49 Scaferkampallee, Hamburg, Prussia, 11th November, 1898; 6 years. (Filed 18th April, 1898.)

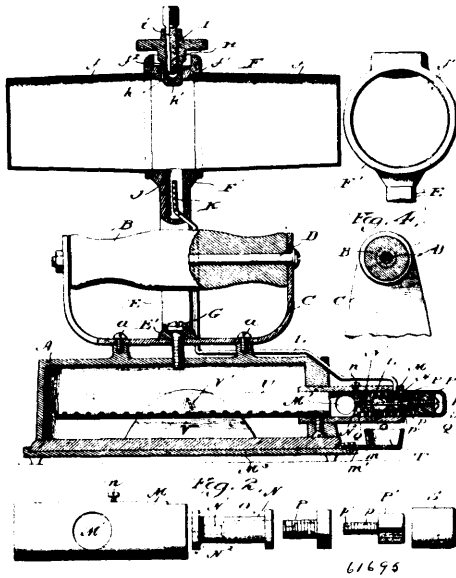
Claim.—1st. A solvent for paint consisting of hydrocarbons produced by the fractional distillation of tar obtained in the manufacture of gas from oil or fat, the said hydrocarbons being the fractions distilling approximately between 150° and 250° centigrade, substantially as hereinbefore described. 2nd. A solvent for paint consisting of hydrocarbons produced by the fractional distillation of American, or Russian petroleum or shale oil, the said hydrocarbons being the fractions distilling approximately between 150° and 250° centigrade, substantially as hereinbefore described.

No. 61,695. Flat Iron. (Fer plat.)

George F. Calkin, St. John, New Brunswick, Canada, assignee of Edward Hedges, Boston, Massachusetts, U.S.A., 11th December, 1898; 6 years. (Filed 3rd October, 1898.)

Claim.—1st. In combination with the body of an implement and a burner for heating the same, a coiled jet-block and nozzle discharging into the said burner and also constituting a gasoline generator and means for supplying gasoline to the coil thereof and through said coil to the interior of the jet-nozzle, substantially as set forth. 2nd. In combination with the body of an implement and a burner for heating the same, a spool-shaped jet-block which also constitutes the jet-nozzle, a gasoline supplying pipe which is coiled on the said jet-block and discharges into the interior thereof, and a casing for the said block and coil, substantially as set forth. 3rd. A combined jet-block and generator wound with a feeding coil and enclosed as described in combination with a heating pan arranged under the same, adapted to contain gasoline, and movable at will out of the way, and a burner and implement heated thereby, substantially as set forth. 4th. In combination with a jet-nozzle and packing in the

bore thereof, a tubular follower for compressing said packing, a screw plug turning into said follower and provided with an enlarge-



ment of the outer part of its bore, a needle-pointed rod protruding through the jet-nozzle and having its knob in the enlarged part of the said bore and a screw bearing on the said knob to hold the said rod removably in place, substantially as set forth. 5th. In combination with the hollow body of an implement, a burner within the same, means for securing the outer end of the said burner thereto and a flange raised from the bottom of the said implement and rigidly attached to the middle of the said burner, substantially as set forth. 6th. In combination with the body of a flat-iron, a handle therefor and a support connecting the said handle to the said body, the said support being broad enough to protect the hand of the operator, substantially as set forth. 7th. In combination with the body of a flat-iron, a standard arising therefrom and having at its top an annular casting with lateral sockets and means for ingress and egress of liquid fuel and air and two half cylinders which fit at their open ends into the said sockets and constitute with said casing a cylindrical oil reservoir for the supply of said implement, substantially as set forth. 8th. The combination with the body of an implement, a cylindrical casing of copper fitting into the end thereof, a burner fitted into the inner end of this casing, a bobbin-shaped jet-block fitted into the outer end of the said casing with its flanges against the inner face thereof, and a gasoline feed-pipe which winds on the said bobbin between the said flanges and discharges into the said jet-block, as set forth.

No. 61,696. Tanning Process. (Procédé pour tanner.)

Charles S. Dolley, Philadelphia, Pennsylvania, assignee of James F. Crank, Los Angeles, California, all in the U.S.A., 11th November, 1898; 6 years. (Filed 30th December, 1897.)

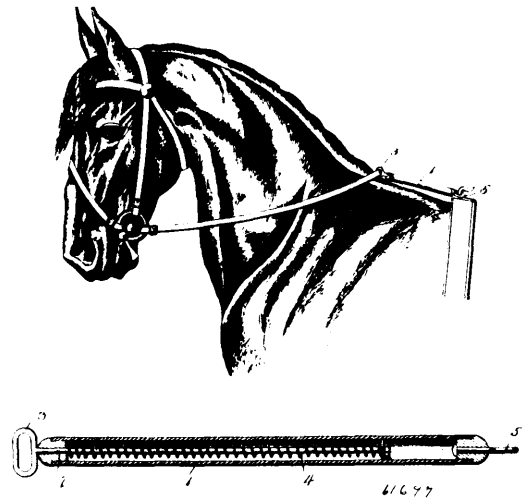
Claim—1st. As a new article of manufacture, a tanned hide or skin, consisting essentially of a combination of formic aldehyd with the collagen and other gelatinous constituents of the said hide or skin, substantially as herein set forth. 2nd. As a new article of manufacture, leather obtained by treating animal hide or skin with formic aldehyd, thereby rendering insoluble and non-putrescible the collagen or connective tissue substances of the skin, such leather consisting essentially of a combination of formic aldehyd with the collagen and other gelatinous constituents of the said hide or skin, substantially as set forth. 3rd. The herein described process of tanning, that is to say, subjecting the hide or skin to be tanned to the action of formic aldehyd C, H^2, O , substantially as herein set forth. 4th. The process herein described of tanning, that is to say, subjecting the hide or skin to be tanned to the action of formic aldehyd C, H^2, O , comingled with aqueous vapour, substantially as herein set forth. 5th. The process of tanning, which consists in subjecting the hide or skin to be tanned, to the action of formic aldehyd C, H^2, O , employed in solution, substantially as set forth.

No. 61,697. Check Rein. (Rênes.)

Joseph F. Wood and Carlos Worth, both of the Township of Stanstead, assignee of Austin E. A. Smith, Stanstead Plain, both in Quebec, Canada, 11th November, 1898; 6 years. (Filed 14th October, 1898.)

Claim—1st. A device of the character described comprising a suitable casing, a longitudinally movable rod in said casing and provided near one end with a disc or projection, said rod extending through one end of the casing and being provided with a loop

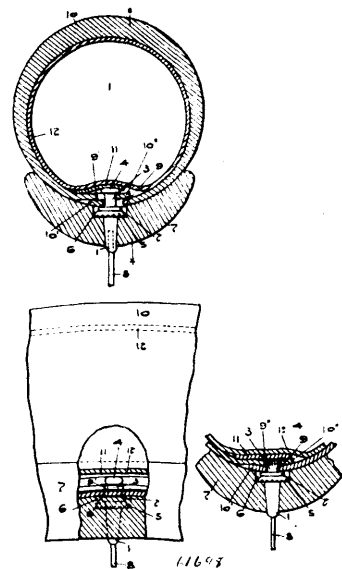
adapted to receive the check rein, a spiral spring interposed between the end of the casing and the disc or projection thereon, whereby



the rod is kept normally retracted, and means for attaching the other end of the casing to the saddle hook, substantially as described. 2nd. The herein described device presenting a cylindrical casing perforated at one end, a longitudinally movable rod having a disc on its inner end and having its outer end extended through a perforation in the casing and provided with a loop for the reception of the check rein, a spiral spring encircling the rod and interposed between the end thereof and the disc thereon, whereby said rod is kept normally retracted, and a loop upon the closed end of the casing adapted to be secured to the saddle hook, substantially as described.

No. 61,698. Pneumatic Tire Fastener.

(Attache de bardage pneumatique.)

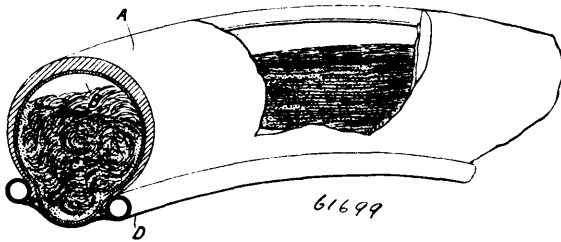


Joseph A. Berger and John P. Larson, Chicago, Illinois, U.S.A., 11th November, 1898; 6 years. (Filed 3rd September, 1898.)

Claim—1st. A spoke-nipple having a flange 2, and a neck extending above said flange of sufficient length to pass through the outer lap of tire-jacket, and terminating in a head, substantially as and for the purpose specified. 2nd. A spoke-nipple having a flange 2, and a neck extending above said flange of sufficient length to pass through the outer lap of a tire-jacket, and terminating in a head, in combination with a tire-jacket having eyelets in the outer and inner laps for receiving such head, substantially as described. 3rd. A spoke-nipple having an integral flange 2, and an integral neck extending above said flange of sufficient length to pass through the outer lap of a tire-jacket, and terminating in a head, substantially as and for the purposes specified. 4th. A spoke-nipple having an integral flange 2, and an integral neck extending above said flange of sufficient length to pass through the outer lap of a tire-jacket, and terminating in a head, in combination with a tire-jacket having eyelets

in the outer and inner laps, for securing said head, substantially as described. 5th. A spoke-nipple having an integral flange 2, an integral neck 3, extending above same and terminating in an integral head 4, in combination with an inner pneumatic tube 12, and a tire-jacket having the eyelets 9, 9', in its laps, adapted to pass entirely below said head and engage the neck and head when said inner tube is inflated, substantially as described.

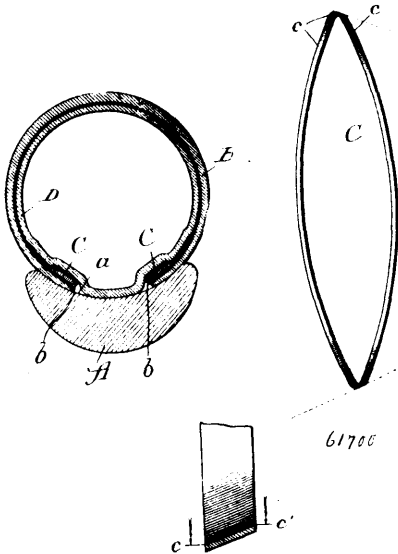
No. 61,699. Pneumatic Tire. (*Bandage pneumatique.*)



The Wapshare Tube Company, No. 3 Cross Lane, Eastcheap, London, assignee of Richard Wapshare, Major 3rd Lancers, Narramore, Hamstead, Devonshire, England 11th November, 1898; 6 years. (Filed 19th July, 1898.)

Claim.—The hereinbefore described method of repairing air-inflated articles, wherein previously inserted loose fibrous material is employed, some of which, when adhesive solution is introduced at or near the puncture, forms with the solution or matted patch, adhering to the interior of the air chamber and serving to seal the hole and repair the damaged part.

No. 61,700. Pneumatic Tire. (*Bandage pneumatique.*)



Uzziel Putnam Smith and Thomas Kane, both of Chicago, Illinois, U.S.A., 11th November, 1898; 6 years. (Filed 6th June, 1898.)

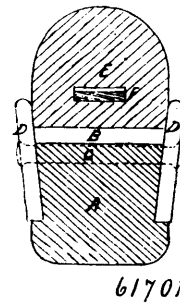
Claim.—As a new article of manufacture, a pneumatic tire provided with an outer sheath slitted circumferentially at its inner surface and provided with two continuous flat metallic flaring bands the inner diameter of which is smaller than the outer diameter of the wheel rim and embedded in the sheath at or near its lateral edges, and a wheel rim provided with a concave peripheral groove of larger diameter at its lateral edges than the inner diameters of the flaring rings, substantially as described.

No. 61,701. Rubber Tire. (*Bandage de caoutchouc.*)

Henri Bergeron, Montreal, Quebec, Canada, 11th November, 1898; 6 years. (Filed 5th August, 1898.)

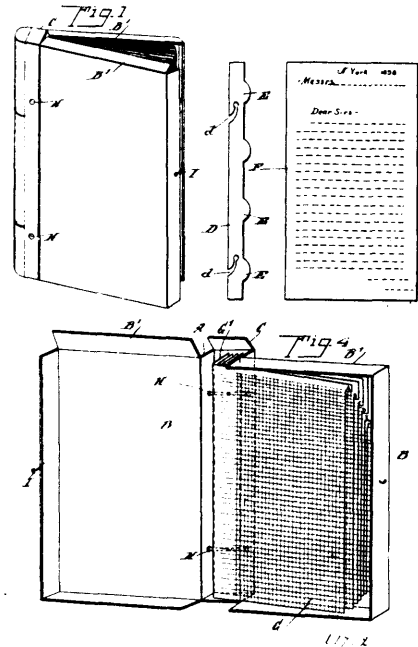
Claim.—1st. A vehicle-wheel having a metal tire and two flanges forming a channel and a rubber tire filling the said channel and provided with a binding metal band passing the whole length of the

said rubber tire, substantially as described. 2nd. A vehicle-wheel having a metal tire and two flanges to receive and maintain the



rubber tire as above specified. 3rd. A vehicle-wheel rubber tire having a retaining metallic band, and laid in a channel formed by a metal tire and two flanges, for the purpose above specified.

No. 61,702. Letter File. (*Enfile-lettres.*)

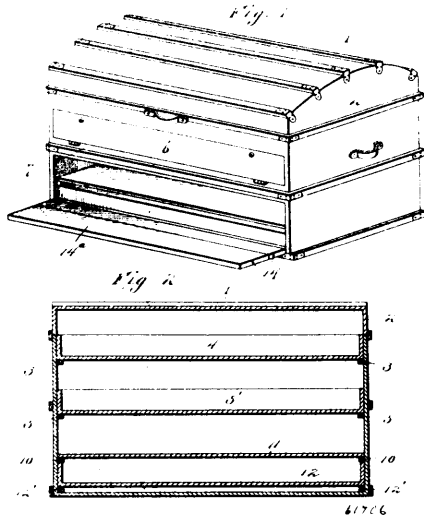


Charles David John Christie, assignee of Samuel Markham Brydges, both of Nelson, British Columbia, Canada, 11th November, 1898; 6 years. (Filed 19th September, 1898.)

Claim.—1st. In a letter filing device, the combination with a hollow case having transverse pins near its back edge, of a series of strips having inclined slots formed in one edge adapted to receive the pins, and having upon their other edge gummed ears, substantially as described. 2nd. In a letter filing device, the combination with a hollow case having transverse pins near its back edge, and index sheets mounted upon said pins, of a series of strips having inclined slots formed in one edge and adapted to receive the pins, and having upon their other edge gummed ears, substantially as described. 3rd. In a letter filing device, the combination with a hollow case having transverse pins near its back edge, of a series of strips having inclined slots formed in one edge and adapted to receive the pins, and having on its other edge gummed projections adapted to receive the latter, substantially as described. 4th. In a letter filing device, the combination with a hollow case having its sides hinged to the back similarly to a book cover, one end of the back portion being closed by a hinged board, and the back having transverse pins forward of its rear edge, of a series of strips having notches in one edge adapted to engage the transverse pins and having on their edge gummed projections adapted to secure and hold a letter, substantially as described. 5th. A letter securing strip for files, consisting of a strip of paper or similar material having hooked notches extending inward from one edge, and having gummed ears on the other edge, substantially as described.

therewith, one of said media bearing the words or designs or the like to be reproduced, and in then developing the resulting image, substantially as set forth. 3rd. The herein described process of printing or reproducing words, figures, designs or the like upon paper, textile fabric or other material, which consists in first passing a current of electricity through said paper or other material and through two conducting media on opposite sides respectively of said paper or material, and in contact therewith, one of said media bearing the words or designs or the like to be reproduced, and in then immersing the said paper or other material in a liquid which will secure permanency of the resulting image, substantially as set forth. 4th. In apparatus for printing or reproducing words, figures, designs or the like upon paper, textile fabric or other material, the combination of a conducting medium contacting with one side of the material, a conducting form contacting with the other side of said material, and positive and negative electric wires connecting respectively with said conducting medium and with said form, whereby with an electric current is sent through said wire, the words, figures, designs or the like represented by said form are printed or reproduced upon said material, substantially as set forth.

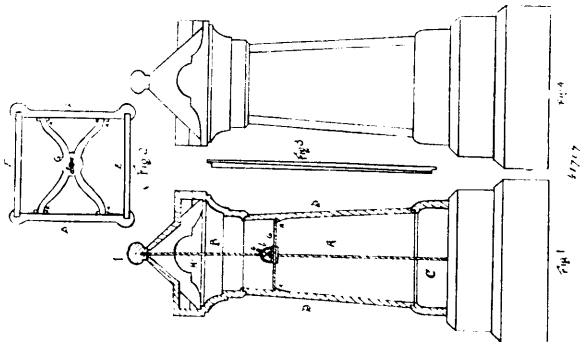
No. 61,706. Trunk. (Coffre.)



Margaret A. White, Southampton, New York, U.S.A., 11th November, 1898; 6 years. (Filed 3rd October, 1898.)

Claim.—The combination with the trunk body having a hinged lid or cover and separate openings at the lower and intermediate portions of the front thereof, of cleats arranged at varying elevations and secured against the inner surfaces of the ends of the said body, a false bottom secured in position at a short elevation above the bottom of said body, a drawer movably mounted in the space between the said false bottom and the bottom of said body, a tray slidingly mounted in the body above the false bottom, a door hinged to the front of the body to cover the opening through which the said tray is movable, a strip hinged to the front edge of the bottom of the body, and a door hinged to the said strip whereby the door hinged to the strip may be opened independently of the latter, and the tray, drawer and false bottom made independently accessible.

No. 61,707. Monument. (Monument.)

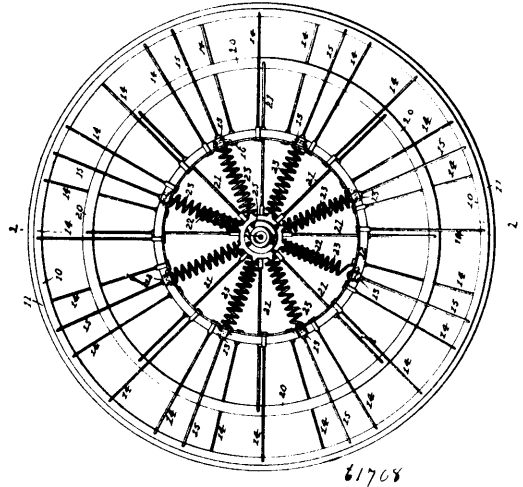


Henry Harding and Thomas Oliver Harding, both of Markham, Ontario, Canada, 11th November, 1898; 6 years. (Filed 1st October, 1898.)

Claim.—In any monument, the combination of a cap die and plinth cast in glass with suitable bases made of stone, granite or

metal having the die composed of two glass end plates and two glass side plates having the under plates cast with solid corners with a groove in each corner to receive the glass side plates, so as to form a complete corner joint with means for holding the same together substantially as shown and described.

No. 61,708. Elastic Wheel. (Roue elastique.)

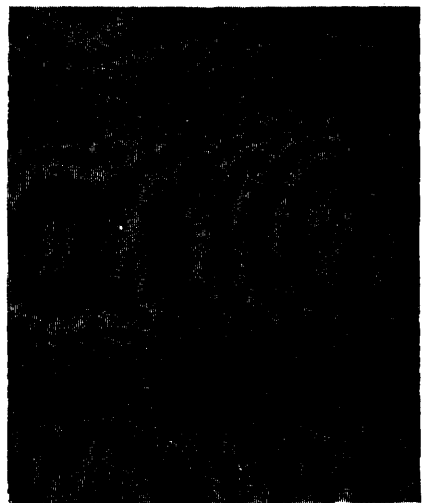


Jacob H. Peterson, Des Moines, Iowa, U.S.A., 11th November, 1898; 6 years. (Filed 12th July, 1898.)

Claim.—1st. A vehicle-wheel, comprising an outer rim, a second double rim arranged within and concentrically of the first, spokes connecting the outer rim and the double rim, a hub, a third rim mounted within the spokes of the other rims and capable of a rotary movement relative thereto, and springs for connecting the said hub and the double rim, for the purposes stated. 2nd. A vehicle-wheel, comprising an outer rim, a double rim arranged within and concentrically of the first, and having cross-pieces for connecting them, spokes for connecting the outer rim and the double rims, guides fixed to the outer rim and to the cross-pieces of the double rims, a hub having two or more outwardly-projecting arms at its central portion, a third rim arranged for rotation within the said guides, spokes for connecting the third rim with the hub, and a series of contractile springs connected with the said cross-pieces of the double rim and also with the said hub, and having the said extensions on the hub admitted into the central portion of two or more of the springs, substantially as and for the purposes stated.

No. 61,709. Fabric Printing Process.

(Procédé pour imprimer les tissus.)

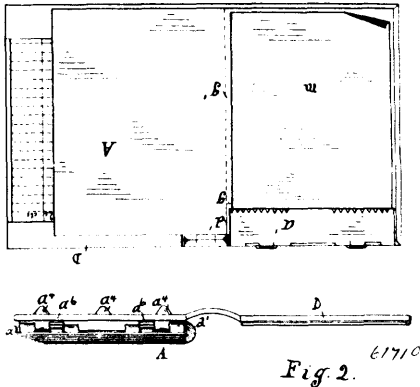


Alexander Bellmere Sherwood and Zephaniah S. Hollbrook, both of Chicago, Illinois, U.S.A., 12th November, 1898; 6 years. (Filed 9th August, 1898.)

Claim.—1st. The method of producing a pattern or design upon a plane surface, which consists in covering one side of a sheet of

fabric woven with the design to be produced with ink of desired colour, and then impressing the side of the fabric to which the ink has been applied upon the plane surface, substantially as described. 2nd. The method of reproducing a design or pattern upon the surface of flexible material, which consists in securing a sheet of fabric woven with the design to be reproduced upon the cylinder or bed of a printing press, covering one side of such fabric with ink of desired colour, and then impressing the side of the fabric to which the ink has been applied upon the surface of flexible material, substantially as described. 3rd. The method of producing an embossed and printed pattern or design upon a sheet or web of paper or like flexible material, which consists in covering one side of a sheet of fabric woven with a design to be produced with ink of desired colour, and then impressing the side of the fabric to which the ink has been applied upon the paper or the like, with force sufficient to emboss as well as print the pattern or design upon the latter, substantially as described.

No. 61,710. Manifold Book. (Livre de vente.)

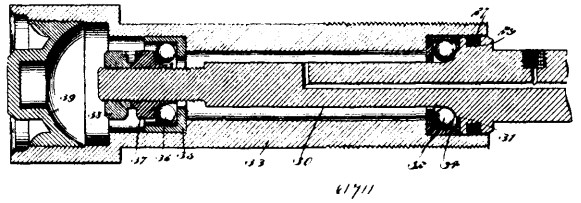


The Carter-Crume Company, Niagara Falls, New York, U.S.A., assignee of John Robert Carter, Boston, Massachusetts, 12th November, 1898; 6 years. (Filed 21st April, 1898.)

Claim.—1st. The combination with a manifold salesbook comprising a series of sheets of paper arranged in a pile, of a clamp for holding the pile of sheets of paper, of a thin flat bottom plate having hinge members on one edge and spaces for springs to protrude, springs secured to the bottom plate and extending through the openings, a thin flat top plate having hinge members and ears to engage the said springs, and a pintle extending through said hinge members, as set forth. 2nd. The combination with a manifold salesbook comprising a series of sheets of paper arranged in a pile, of a clamp for holding the pile of sheets of paper, of a thin flat bottom plate having hinge members on one edge and a pair of spaces for springs to protrude, a pair of springs formed of thin strips bent at their centre upon themselves, their ends lying normally apart, said springs being secured to the bottom plate, a thin flat top plate having hinge members, and a pair of ears on the edge of the top plate between the hinge members engaging the upper ends of the springs, substantially as described and shown. 3rd. The combination, with the pile of sheets of paper and the cover of a salesbook, of a clamp secured to one side of the cover at one edge thereof, consisting of a thin flat bottom plate having hinge members on one edge and spaces for springs to protrude, springs secured to the bottom plate and extending through the openings, a thin flat top plate having hinge members and a pair of ears to engage the said springs, and a pintle extending through said hinge members, as set forth. 4th. The within described manifold salesbook, comprising a pile of sheets of paper and the cover, a clamp constructed of a thin bottom plate having hinge members on one edge, and a pair of spaces for springs to protrude, a pair of springs formed of thin strips at their centre upon themselves, their ends lying normally apart, said springs being secured to the bottom plate, a thin flat top plate having hinge members, and a pair of ears on the edge of the top plate between the hinge members engaging the upper ends of the springs, said pile of sheets having one edge engaged by the clamp to securely hold them in the cover without destroying the compactness of the book when folded, the top plate of which clamp lies in substantial parallelism with said sheets, and the black leaf, substantially as described and shown. 5th. The within described manifold salesbook, comprising the cover, a clamp constructed of a thin flat bottom plate having hinge members on one edge and a pair of spaces for springs to protrude, a pair of springs formed of thin strips bent at their centre upon themselves, their ends lying normally apart, said spring being secured to the bottom plate, a thin flat top plate having hinge members, and a pair of ears on the edge of the top plate between the hinge members engaging the upper ends of the springs, a pile of sheets having their stub ends united together and engaged by the clamp to securely bind them in the cover without destroying the compactness of the book when folded, the top plate of which clamp lies in substantial parallelism with said sheets, said sheets being also

provided with suitable lines of perforations to aid in the separation of the duplicate and main bills from the stubs and from each other, and a black leaf, substantially as shown and described.

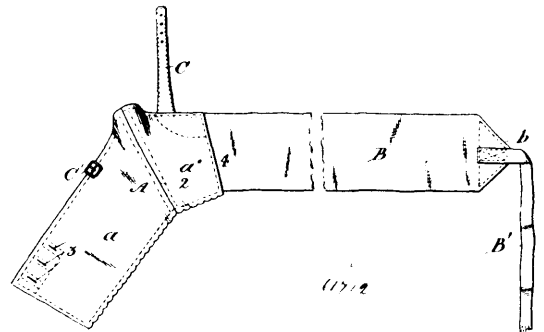
No. 61,711. Vehicle Wheel. (Roue de voiture.)



Robert George McDowell, Ipsening, Illinois, Albert Matthew McDowell and Joseph Irving McDowell, both of Anaconda, Montana, all in the U.S.A., 12th November, 1898; 6 years. (Filed 5th August, 1898.)

Claim.—1st. A wheel-hub, comprising a front ring-like portion having inwardly-extending wedge-shaped projections to engage between spokes at the outer side of the first-named projections, a ring-shaped inner portion for the hub, means for securing the two sections of the hub together, a box, a tapered sleeve having an exterior screw-thread engaging with an interior screw-thread of the inner section of the hub, and means for securing said sleeve to the box, substantially as specified. 2nd. In a wheel, a hub, comprising inner and outer ring-shaped sections, means for securing the two sections together, a box, a tapered sleeve movable on said box for forcing the wheel-spokes outward, the said tapered sleeve having screw-thread engagement with the inner section of the hub, and a ring having a screw-thread engagement with the box and engaging against the end of the sleeve, substantially as specified. 3rd. A wheel-hub, comprising front and rear ring-like sections, the said sections having wedge-shaped projections to engage the sides of spokes, means for securing the sections together, a box, a tapered sleeve movable on the box to force spokes outward, and means for holding said sleeve in position, substantially as specified.

No. 61,712. Gaiter and Puttee. (Guêtre et landage.)



Francis Hugh Fox, Tondale Mills, Wellington, Somerset, England, 12th November, 1898; 6 years. (Filed 12th August, 1898.)

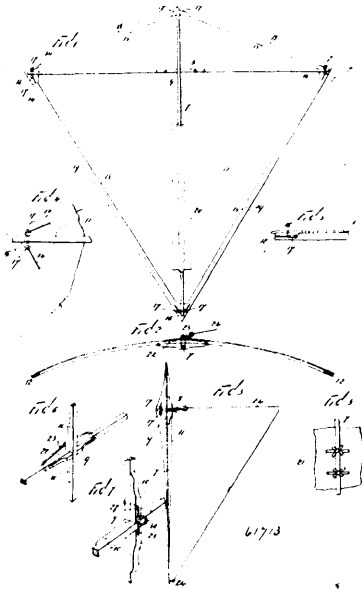
Claim.—1st. As a new article of manufacture, a spat or short gaiter combined in one piece with a puttee by jointing end on to the end of the short part of the spat a puttee or leg-bandage, substantially as set forth. 2nd. In a combined spat and puttee, the combination of a long and a short part composing the spat seamed on the instep and the seam re-enforced, a stiffener in the re-enforced seam, a strap secured to one side and a buckle on the other, re-enforcing pieces at the place of attachment of said strap and buckle, a hook secured to the re-enforcing piece on the short part, a re-enforcing piece secured to the long part having a series of button holes adapted to engage the said hook, a puttee sewn end on to the end of the short part of the spat and a tape secured to the free end of said puttee, substantially as set forth.

No. 61,713. Kite. (Cerf-volant.)

Walter Samuel Baker, Newark, New Jersey, U.S.A., 12th November, 1898; 6 years. (Filed 24th August, 1898.)

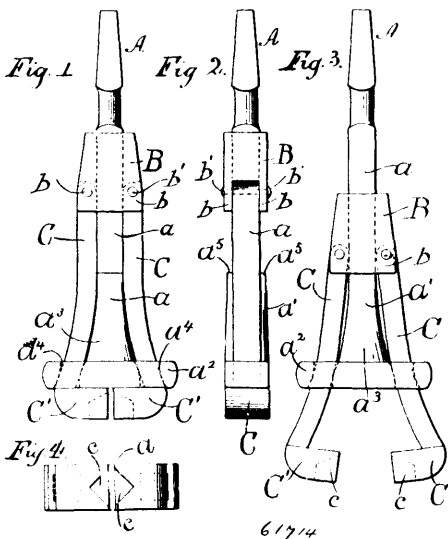
Claim.—1st. A kite, comprising a frame composed of the usual central longitudinal cross sticks, said sticks being detachably connected, and said sticks being also provided at their ends with short slots, and a body portion or covering for said frame, the sides of which are provided with cords, said cords being connected at their ends with short wires or rods which are adapted to be inserted into said slots, substantially as shown and described. 2nd. A kite, comprising a frame composed of the usual central longitudinal and cross sticks, said sticks being detachably connected, and said sticks being also provided at their ends with short slots, and a body portion or covering for said frame, the sides of which are

provided with cords, said cords being connected at their ends with short wires or rods which are adapted to be inserted into said slots,



said body portion or covering being also provided with a longitudinal pocket through which the longitudinal stick of the frame is passed, substantially as shown and described. 3rd. A kite, comprising a frame composed of the usual central longitudinal and cross sticks, said sticks being detachably connected and said sticks being also provided at their ends with short slots, and a body portion or covering for said frame, the sides of which are provided with cords, said cords being connected at their ends with short wires or rods which are adapted to be inserted into said slots, and the body portion or covering being also provided with means for connecting it with the longitudinal stick of the frame, said sticks being also provided at the point where they are connected with rings or eyes which are pivotally secured to one of said sticks on the opposite side of said connection, and adapted to swing into alignment across the other stick, substantially as shown and described.

No. 61,714. Wrench. (Clé à écrou.)

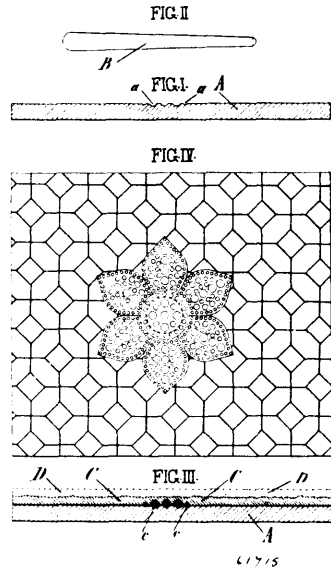


Samuel S. Grove, Summit, Pennsylvania, U.S.A., 12th November, 1898; 6 years. (Filed 6th October, 1898.)

Claim.—1st. A wrench adapted for use in connection with a bit-stock or brace, comprising a bit-shank having an extended head at the lower end thereof and a slide thereon, the said slide being supplied with swinging jaws which engage apertures of the same head, whereby downward movement of the slide will open the jaws, substantially as shown and described. 2nd. In a wrench adapted for use in con-

nection with a bit-stock, the combination of a bit-shank and a movable slide thereon, the said slide being supplied with pivotally attached levers having jaws upon their outer ends, said jaws having recesses therein for receiving a bolt or nut head, substantially as shown and described. 3rd. As a wrench, the combination of a bit-shank adapted for engagement with an ordinary bit-stock, and a slide engaging the said bit-stock, the said slide having swinging levers thereon which pass through an extended head of the bit-shank, and from part of jaws having square recesses therein for engagement with a bolt head or nut, substantially as shown and described.

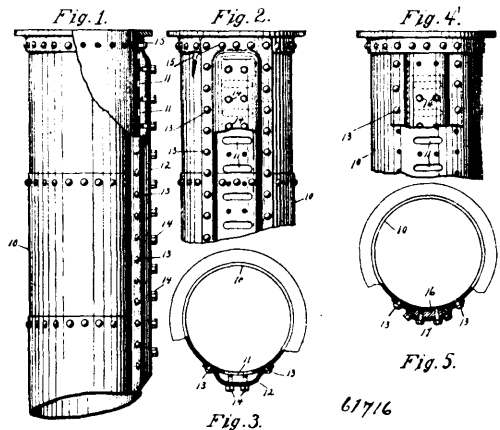
No. 61,715. Method of Decorating. (Méthode de décorer.)



Stanislas Rosenberg, Paris, France, 12 novembre 1898; 6 ans. (Déposé 5 octobre 1898.)

Résumé.—Produits décoratifs par la céramique dont les dessus consistent en petites boules colorées saillantes et noyées d'environ les deux tiers dans une couche de ciment de même couleur.

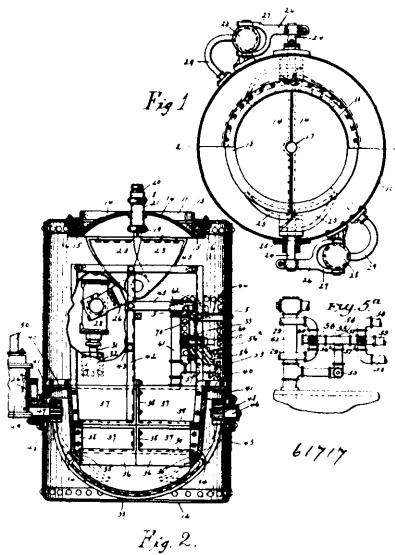
No. 61,716. Caisson Shaft. (Arbre de caisson.)



John F. O'Rourke, New York City, New York, U.S.A., 12th November, 1898; 6 years. (Filed 11th October, 1898.)

Claim.—1st. The combination with the shaft, of a ladder formed by a slotting the shaft, and an air seal for the slots whereby the escape of air from the shaft is prevented, substantially as described. 2nd. The combination with the shaft and the ladder slots therein, of an external cover for the slots, said cover being secured to the shaft so as to form an air seal, substantially as described. 3rd. The combination with the shaft, adapted to permit the passage of a bucket, cage, or similar article, of the ladder sunk in the side of the shaft, whereby the wall of the latter is left essentially plain. 4th. The combination with the shaft and the ladder-slots therein, of the bulging cover extending the full length of the ladder formed by the slots, said cover being secured at its edges to the shaft, substantially as described.

No. 61,717. Air Lock for Caissons.
(*Ecluse à air pour caissons.*)

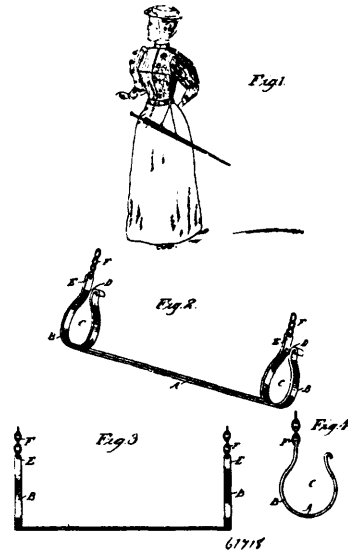


John F. O'Rourke, New York City, New York, U.S.A., 12th November, 1898; 6 years. (Filed 11th October, 1898.)

Claim.—1st. The combination of the shell, opposite swinging gates, crossing arms secured to the gates and independently journaled, and gears connecting the adjacent arms, substantially as described. 2nd. The combination with the shell, and opposite and aligning gate-shafts therein, of means for turning the shafts or gates to close the shell opening, and over-lapping arms secured to opposite sides of the gates, one arm of each gate being secured to one shaft and the opposite arm loose on the opposite shaft, substantially as described. 3rd. The combination with the shell having a bucket-opening and a ring encircling said opening, of swinging gates having flanges adapted to come to rest opposite the ring, and a flap-gasket held to effect a closure between the ring and flanges, said gasket being pressed to its seat by the air-pressure in the shell, substantially as described. 4th. The combination with the shell, of an essentially tubular ladder therein. 5th. The combination with the shell, of an internal tubular structure held rigidly to the walls of the shell, said structure having inwardly-projecting flanges forming steps, substantially as described. 6th. The combination with the shell, of an internal tubular structure having steps thereon, the said structure having its lower end formed into a seat against which the lower closure of the shell can abut, substantially as described. 7th. The combination with the shell, of an internal tubular structure formed of ring-sections secured together, said sections having inwardly projecting step-forming flanges thereon, substantially as described. 8th. The combination with the air-lock having suitable end closures, of an internal ladder secured to the lock, the lower end of the ladder carrying a valve-seat, substantially as described. 9th. The combination with the shell and an internal essentially-tubular structure having steps thereon, of a skeleton ladder projecting upward from the said tubular structure, substantially as described. 10th. The combination with the shell and ring-sections with steps thereon held within the shell, of uprights secured to the ring-sections, and cross-pieces forming rungs secured to the uprights, substantially as described. 11th. The combination with the air-lock and cylinders or motors constructed to work the moving parts of the lock, of a valve mechanism controlling the cylinder or motor air-supply, and an automatic locking device whereby the valves operate in regular sequence, substantially as described. 12th. The combination with the air-lock having its movable parts worked by cylinders or motors, of a valve-mechanism controlling the air-supply of the cylinders or motors and air-lock, and an automatic locking device for the valve mechanism constructed to cause the movement of the first valve to unlock the next, and so on in sequence through the whole series of valves. 13th. The combination with the air-lock and cylinders or motors constructed to work the moving parts of the air-lock, of an automatic locking device constructed to permit the operation of the valve mechanism only in regular sequence, and a movable latch locking the valve mechanism and serving as a circuit-closer for the alarm circuit, substantially as described. 14th. The combination with the air-lock and cylinders or motors working the removable parts of the air-lock, of a series of valves controlling the air-supply to the several valves, and interlocking discs connected to the valve-stems and constructed to move successively, the movement of one disc unlocking the next, substantially as described. 15th. The combination with the air-lock and cylinders or motors constructed

to work the moving parts of the air-lock, of an air-supply pipe, valve-controlled connections between the air-supply pipe, the cylinders or motors, and the inner and outer sides of the air-lock, a gear mechanism connecting the several valve-stems, and interlocking discs connected to the stems and constructed so that the movement of one disc releases the next, and so on in sequence, substantially as described. 16th. The combination with the shell and an internal tubular structure terminating at its lower end in a fixed seat or ring, of a lower closure adapted to close opposite the said ring, and a flap-gasket arranged to be pressed by air so as to effect a closure between the said ring and the said lower closure, substantially as described.

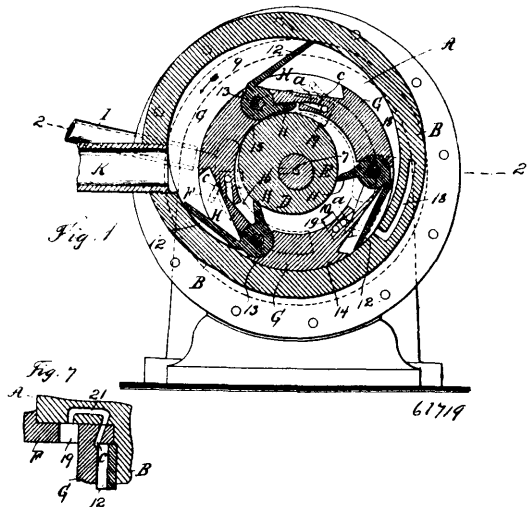
No. 61,718. Umbrella Carrier. (*Porte-parapluie.*)



Charles H. McCormack, Towners, New York, U.S.A., 12th November, 1898; 6 years. (Filed 8th October, 1898.)

Claim.—A device for carrying umbrellas and parasols consisting of a bar or rod, clasps carried at the ends thereof and adapted to receive and hold the umbrella, and a chain or cord secured at its ends to the respective clasps and by means of which the parasol or umbrella is suspended from the person of the wearer, substantially as described.

No. 61,719. Rotary Engine. (*Machine rotatoire.*)



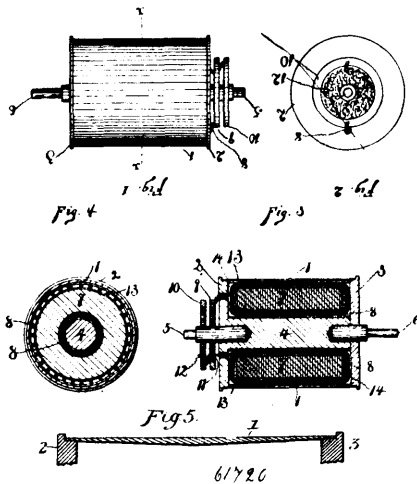
Robert Harris Isbell, New York City, New York, U.S.A., 12th November, 1898; 6 years. (Filed 15th July, 1898.)

Claim.—1st. A rotary engine, comprising a case and its heads and a stationary hub carried by one of the heads, a main shaft and its head, a cylinder carried by the head and pistons at equal distances around the cylinder, each having a leaf projecting inward and a leaf projecting outward, there being a port for the high pressure steam ports in the revolving head through which the high pressure steam

passes to act upon the inner leaves of the pistons, a transfer port for the high pressure steam to pass from the inner chamber to the outer chamber, and act upon the outer leaves of the pistons, and an exhaust port from the outer chamber, substantially as set forth. 2nd. A rotary engine, comprising an outer casing and its heads, a hub carried by one of its heads, a shaft eccentric to the hub and a head upon such shaft, a cylinder composed of sections and intermediate pistons having inner and outer leaves, a ring for connecting the sections of the cylinder together and pivot pins passing through the ring and head and upon which the pistons swing, a steam inlet port, and ports through the head to which the cylinder is connected, a segmental transfer port and branch for allowing high pressure steam from the inner chamber, to pass into the outer chamber, and an exhaust pipe or port from the outer chamber, substantially as set forth. 3rd. In a rotary engine, a main shaft and head, a cylinder supported by such head and pivoted pistons in the cylinder having inner and outer leaves, the cylinder being recessed for the reception of such leaves and ports or pipes for allowing steam to pass into the recesses and beneath the respective leaves of the pistons for moving such leaves outward and inward to bring their edges into contact with the interior surface of the case of the exterior surface of the hub, substantially as set forth. 4th. A rotary engine, comprising a case and its heads, a hub carried by one of the heads, a main shaft, cylinder and pistons carried by such shaft, the pistons having inner and outer leaves to act within the crescent-shaped steam spaces between the cylinder and the case, and the cylinder and the hub respectively, the cylinder being recessed for receiving the leaves of the pistons, steam ports for admitting pressure into the recesses for swinging the respective pinions out of such recesses, and a U-shaped port in the head of the case for allowing such steam pressure to act in moving the outer leaves of the pistons out of their recesses, substantially as set forth. 5th. A rotary engine, comprising a stationary case and a stationary central hub, an intermediate cylinder placed eccentric, and pistons passing through and pivoted upon the said cylinder and having one leaf acted upon by pressure in the inner chamber and the other leaf by pressure in the outer chamber, there being recesses into which one leaf of each piston is swung while the other leaf is in action, substantially as the forth.

No. 61,720. Electrically Heated Roll.

(Cylindre chauffé à l'électricité.)



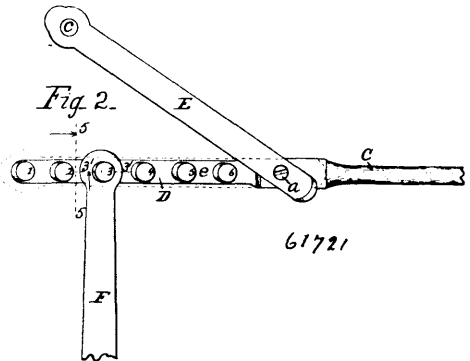
Fred P. Snow, Lynn, Massachusetts, U.S.A., 12th November, 1898 6 years. (Filed 8th August, 1898.)

Claim.—1st. A hollow cylindrical shell of iron, or of other material that has low electrical conductivity, two cylinder heads of copper, or of other highly conductive material, united with said hollow shell, and a shaft of copper, or of other highly conductive material, uniting said cylinder heads, in combination with an annular core, formed of magnetic material, encircling said shaft, and wound with insulated conductor, all adapted to be rotated about a common axis, substantially as and for the purpose specified. 2nd. A cylinder shell formed of material that has low electrical conductivity, two cylinder heads, formed of highly conductive material, united electrically with that shell, and a shaft, formed of highly conductive material, uniting said cylinder heads, and provided with terminal bearing-pieces, in combination with an annular core, formed of magnetic material, wound with insulated conductor, and encircling said shaft all arranged symmetrically about a common axis of rotation, substantially as and for the purpose specified. 3rd. A hollow shell, formed of iron, or of other material of low electrical conductivity, and having its wall predetermined cross-sectional area, increasing toward the middle, and diminishing toward the ends of said shell, two cylinder heads, formed of highly conductive material, and electrically united with said hollow shell, a shaft formed of highly conductive material, and electrically uniting said cylinder heads, and an annular core, formed of magnetic material, wound with insulated conductor, and encircling

said shaft, in combination with current collectors, connected with said insulated conductor, all being rotatable about a common axis upon suitable bearings, substantially as and for the purpose specified. 4th. A hollow cylindrical shell formed of material that has low electrical conductivity, two cylinder heads that are formed of conductive material, and are united with said shell, a magnetic core, which is contained in said shell, and is wound with insulated conductor, in combination with a shaft, that is formed of conductive material, uniting said cylinder heads, and is provided with terminal bearing-pieces, and with rotary current collectors for supplying current to said insulated conductor during rotation, substantially as and for the purpose specified. 5th. An annular core, wound with a primary conductor, and contained in a rotary shell, which forms the choking portion of a secondary circuit about the same core, substantially as and for the purpose specified.

No. 61,721. Lock Rod for Waggon Brakes.

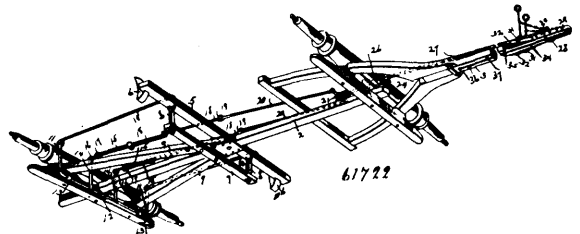
(Bielle d'enrayage pour freins de wagons.)



James H. Hoover, Phoenix, Pennsylvania, U.S.A., 12th November, 1898; 6 years. (Filed 15th July, 1898.)

Claim.—1st. A lock-rod having a head provided with a series of studs or pins, in combination with a pivoted spring closer to cover said studs or pins, substantially as and for the purpose specified. 2nd. A lock-rod formed with a head having a series of inclined studs or pins, the first one being longer than the others and a swinging closer to cover said studs or pins pierced with an opening to receive said longer pin, substantially as and for the purpose set forth.

No. 61,722. Waggon Brake. (Frein de wagon.)



John R. Kinkade, Sonora, Kentucky, U.S.A., 12th November, 1898; 6 years (Filed 15th July, 1898.)

Claim.—1st. The combination with the running-gear of a waggon, of brake mechanism, rods extending from the brake mechanism forwardly to the front of the pole, a movable ring mounted on the front of the pole and to which said rods are attached, inclined guides on the pole, and a stay-chain connected to said guides and ring, substantially as and for the purpose specified. 2nd. The combination with the running-gear of a waggon, of brake mechanism, including brake-chains, rods connected to the brake mechanism and extending forwardly to the pole, a ring movably engaging the front end of the pole and to which said rods are connected, inclined guides on the pole, stay-chains attached to said rings and guides and adapted to be connected to harness, and means for limiting the movement of the ring to permit backing of the vehicle, substantially as described. 3rd. The combination with the running-gear of a waggon, of brake mechanism, rods connected therewith and extended forwardly to the front end of the pole, a ring movably engaging said front end of the pole to which said rods are attached, a chain connected to said ring, means for adjusting said chain and ring, and stay-chains attached to said ring and adapted to be connected to harness, substantially as described. 4th. The combination with the running-gear of the waggon, of the brake beam or rod having brake shoes thereon, a rock-shaft connected to said brake-beam, rods attached to pendent arms on said rock-shaft, a ring movably engaging the front end of the pole and to which the front ends of said rods are connected, a stay-chain connected to said ring, and means for suspending said stay-chain separate from said pole-ring, substantially as described. 5th. The

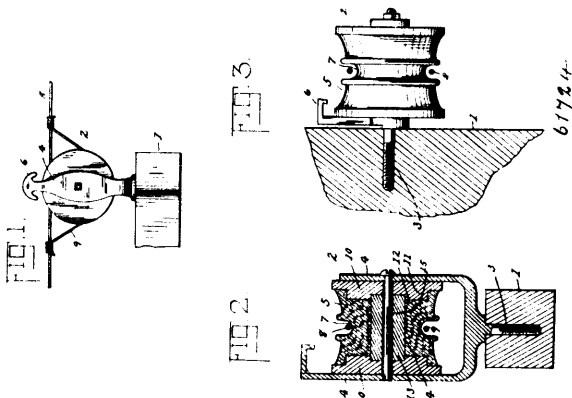
combination with the running-gear of the waggon, a rock-shaft 12 having pendent arms secured to the brake-beam by suitable connecting rods, pendent lever-arms 14, rods extending from said lever-arms, and having their forward portions connected with a ring sliding on the front end of the pole, stay-chains connected with said ring, pendent chains connected with said stay-chains and movable on angle-irons connected with the pole, and means connected with said pole-ring for limiting its throw for preventing the application of the brakes in backing the vehicle, substantially as described.

No. 61,723. Beverage. (Brewage.)

Ernest Uhlmann, Dobbs Ferry, New York, U.S.A., 12th November, 1898; 6 years. (Filed 29th September, 1898.)

Claim.—1st. A process for producing a beverage from fermented malt liquor, consisting in boiling the same sufficiently to remove all alcohol and carbonic acid, but substantially none of the water, such boiling being effected at a temperature sufficient to coagulate the albumenoids, removing the albumenoids, and subsequently adding krausen thereto and fermenting to restore the taste, appearance and effervescence of beer. 2nd. A process for producing a beverage from fermented malt liquor, consisting in boiling the same sufficiently to remove all the alcohol and carbonic acid, but substantially none of the water, such boiling being effected at a temperature of substantially 212° F., to coagulate all the albumenoids, removing the albumenoids, and subsequently adding krausen of low original gravity and fermenting to restore the taste, appearance and effervescence of beer. 3rd. A process for making a non-intoxicating beverage which consists in mashing malt at a temperature of substantially from 170° F., to 175° F., extracting the wort therefrom, and fermenting same until all fermentable matter has been converted, boiling the resulting product to remove alcohol and carbonic acid gas while retaining substantially all of the water, adding a small proportion of krausen and fermenting to restore the taste, appearance and effervescence of beer. 4th. A process for making a non-intoxicating beverage which consists in mashing malt at a temperature of substantially from 170° to 175° F., extracting the wort therefrom and fermenting same until all fermentable matter has been converted, boiling the resulting product sufficiently to remove substantially all the alcohol and carbonic acid, without removing any substantial proportion of water, such boiling being effected at a temperature of substantially 170° F., so as to coagulate the albumenoids, removing such albumenoids, and subsequently adding a small proportion of krausen and fermenting the mixture to restore the taste, appearance and effervescence of beer. 5th. A process for making a non-intoxicating beverage consisting in mashing malt at a temperature of substantially 170° to 175° F., extracting therefrom, and fermenting same with yeast of high fermenting power, until all fermentable matter has been converted, boiling the resulting product sufficiently to remove all the alcohol, and carbonic acid, but substantially none of the water, adding a small proportion of krausen of low original gravity and fermenting so as to restore the taste, appearance and effervescence of lager beer. 6th. A process for making a non-intoxicating beverage which consists in mashing malt at a temperature of 170° F., to 175° F., extracting the wort therefrom and fermenting same with yeast of high fermenting power, passing air through the wort until it has reached the hochkrausen stage, then allowing the fermentation to continue until all fermentable matter has been converted, boiling the resulting product to remove alcohol and carbonic acid gas without removing any substantial proportion of water, and adding a small proportion of krausen of low original gravity so as to restore the taste, appearance and effervescence of lager beer.

No. 61,724. Wire Insulator. (Isoloir.)



George Ashby, Hamilton, Ontario, Canada, 12th November, 1898; 6 years. (Filed 12th August, 1898.)

Claim.—1st. An insulator consisting of a stem provided with an arm 4 having a lug 6, a bolt 15 connected with the stem, and a cylindrical piece 5 mounted upon said bolt, substantially as described. 2nd. In an insulator, the insulator 5 consisting of a cylindrical piece provided with an exterior groove, and recesses, and a central opening,

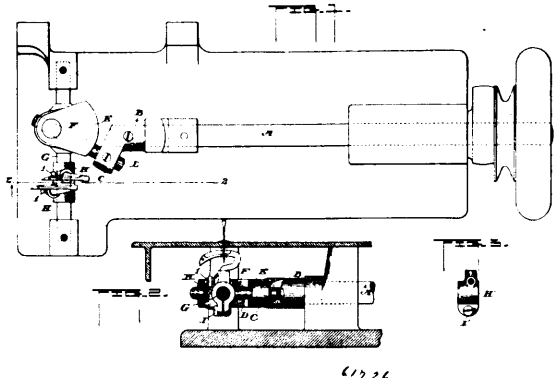
and discs 10 situated on either side of said insulator 5 and provided with bosses 11 situated within said recesses, and tubes situated within said opening, substantially as described.

No. 61,725. Ointment. (Onguent.)

Adelmar Caderre, St. Jacques, Québec, Canada, 12 Novembre 1898; 6 ans. (Déposé 27 Août 1898.)

Résumé.—Une composition de matière composée de racines d'an sauvage, d'écaillés d'hêtres, d'huile d'anquille et de saindouse dans les proportions et pour les fins indiquées.

No. 61,726. Sewing Machine. (Machine à coudre.)



The Special Sewing Machine Company, Chicago, Illinois, assignee of Lansing Onderdonk, Boston, Massachusetts, all in the U.S.A., 16th November, 1898; 6 years. (Filed 10th October, 1898.)

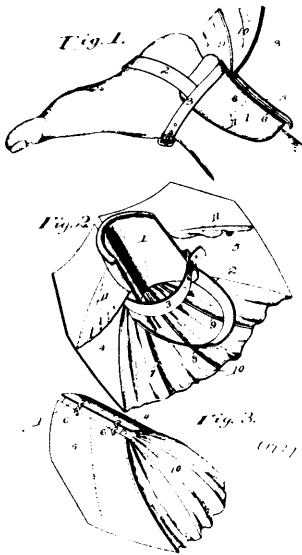
Claim.—1st. A sewing machine comprising a driving shaft, a second shaft arranged forward of the main shafts and with its axis at right angles thereto and supported in fixed bearings on the machine frame, an inclined crank or rocking fork connection between the driving shaft and the transverse, and a longitudinally and circumferentially adjustable looper support arranged on said transverse shaft independently of the rocking fork, substantially as described. 2nd. A looper mechanism for sewing machines comprising a looper shaft, a plurality of looper supports carried by said shaft, means for adjusting said supports circumferentially and longitudinally of said shaft, loopers carried by said supports, and means for adjusting the loopers in said supports vertically and laterally, substantially as described. 3rd. A looper mechanism for sewing machines comprising an actuating shaft, a looper shaft, and a looper support, actuating mechanism for imparting to the looper support a rocking and laterally vibrating movement comprising a rocking fork, and means for adjusting said support independently of said fork, substantially as described. 4th. A looper mechanism for sewing machines comprising an actuating shaft, a looper shaft, and a looper support, actuating mechanism for imparting to the looper support a rocking and laterally vibrating movement comprising a rocking fork arranged near one end of the looper shaft, the looper support being arranged near the other end of the looper shaft, and means for adjusting said support upon said looper shaft, substantially as described. 5th. A sewing machine comprising a looper operating shaft, and a plurality of split collars on said shaft, with means for securing them in any position thereon, said split collars being provided with sockets for the reception of loopers, whereby the distance apart or the position on the shaft, of said loopers may be varied, substantially as described. 6th. A sewing machine comprising a driving shaft, a looper supporting shaft mounted to slide and rock in fixed bearings on the machine frame, means on the forward end of the main shaft for oscillating and reciprocating the second shaft, comprising an inclined pin adjustably secured to the main shaft and operatively connected with the second shaft, whereby both the sliding and oscillating movements of said second shaft may be varied, and a circumferentially and longitudinally adjustable clamping collar arranged on said second shaft, and a looper secured thereto, substantially as described.

No. 61,727. Swimming Appliance. (Appareil à nager.)

Patrick Andrew Devers, Payette, assignee of Jacob Stroup, also of Payette, Idaho, U.S.A., 16th November, 1898; 6 years. (Filed 6th October, 1898.)

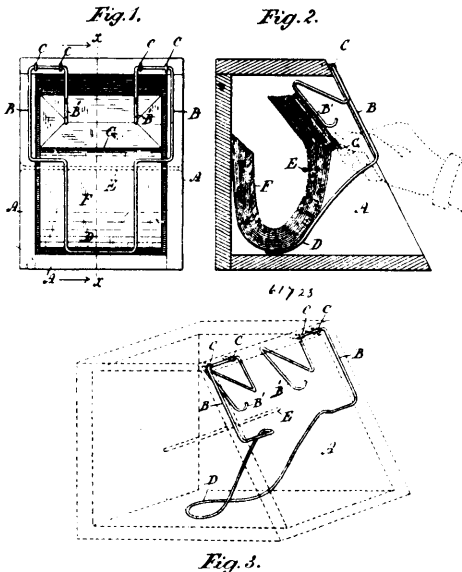
Claim.—1st. In a swimming appliance, the combination of an ankle plate, means for securing the same on the ankle and foot, a pair of wings pivotally connected with the ankle plate, and a web secured to the ribs and to the contiguous edges of the wings, substantially as described. 2nd. The combination with an ankle plate and hinged wings, of a main web connected to the contiguous edges of the wings and secondary webs intermediate of the ankle plate and wings respectively, substantially as specified. 3rd. The combination with an ankle plate and hinged wings provided with inclined lower edges, of a plurality of ribs pivoted to the ankle plate and

located intermediate of the wings and main web secured to the ribs, and to the wings respectively, and secondary webs secured



intermediate of the wings and ankle plate, substantially as specified. 4th. The combination with an ankle plate, a stirrup and securing straps, of a pair of hinged wings, a main web intermediate of the wings, pivoted ribs secured to said web, and secondary webs intermediate of the wings and ankle plate and located substantially at right angles to the wings when extended, substantially as specified.

No. 61,728. Paper Bag Holder. (*Porte-sac de papier.*)

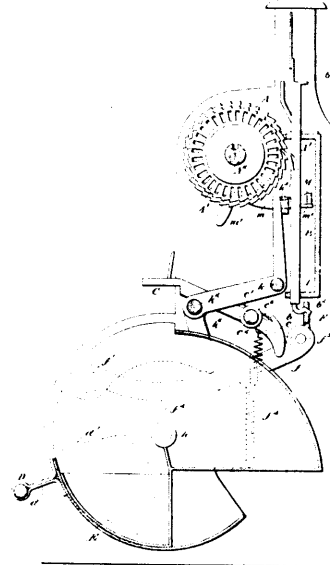


H. N. Bate & Sons, assignee of William J. Nagle, all of Ottawa, Ontario, Canada, 16th November, 1898; 6 years. (Filed 4th October, 1898.)

Claim.—1st. In a paper bag holder, the combination with a pigeon hole or bag receptacle having a bar or rod E, horizontally across the interior, of a wire door or closure having fingers B, B', within the receptacle and extending downwardly and outwardly, and a tongue or loop D, extending downwardly, inwardly and inclined to the bottom of the receptacle, said door having an open space between the fingers and tongue, as and for the purpose set forth. 2nd. A paper bag holder or pigeon hole having internally a transverse rod or bar, and a wire door closing the entrance to said hole, said door having an upper inwardly bent portion terminating in fingers B, B', which incline downwardly and outwardly, and a lower portion bent inwardly and inclining downwardly to spring against the floor of the receptacle, and forming a tongue or loop D, on which the bags partly rest, said fingers and tongue retaining the parcel of bags in a

U-shaped position, the bottoms upwardly and outwardly, substantially as set forth. 3rd. A paper bag holder, comprising a pigeon hole to contain a parcel of loosely arranged bags, said hole provided internally with a horizontal bar or rod E, transversely, a door made of one piece of wire and bent inwardly at the top, thence extending downwardly and outwardly to form fingers B', B', and the lower portion of the door bent inwardly and downwardly to form an inclined tongue D, extending to the bottom of the pigeon hole, whereby a space or opening separates the end of said fingers from the top of the tongue, to make a passageway for the bags, substantially as set forth.

No. 61,729. Cash Register. (*Régistre à monnaie.*)



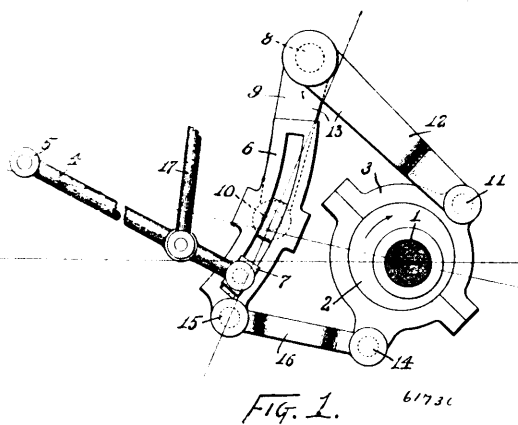
The Osborn Cash Register Company, assignee of Francis Conrad Osborn, all of Detroit, Michigan, U.S.A., 16th November, 1898; 6 years. (Filed 23rd May, 1898.)

Claim.—1st. In a cash register, the combination of a vertically movable tablet rod, a lifting bar by means of which the tablet is elevated, a pivoted foot carried by said tablet rod and held normally out of the path of said lifting bar by a spring, a pivoted key lever whose inner end is adapted to engage with said foot to move it into the path of the lifting bar, and an operative connection between said lifting bar and the movable element of the till, whereby the tablet rod is elevated in opening the till, substantially as set forth. 2nd. In a cash register, the combination with a register wheel, of a tablet rod having a spring-actuated pawl pivoted thereto and adapted to engage with said wheel, and a guide-plate for guiding said pawl into and out of engagement with the register wheel, substantially as set forth. 3rd. In a cash register, the combination with a tablet rod and a toothed register wheel, of a spring actuated pawl carried by the tablet rod adapted to engage directly with the teeth of the register wheel to rotate the same, a key lever, a lifting bar operated by means independent of the key lever, and a device carried by the tablet rod adapted to be moved by the key lever into the path of the lifting bar without shifting the tablet rod, substantially as set forth. 4th. In a cash register, the combination with a tablet rod and a toothed register-wheel, of a spring-actuated pawl carried by the tablet rod adapted to engage directly with the teeth of the register-wheel to rotate the same, a key lever, a lifting bar for raising the tablet rod, a device carried by the tablet rod adapted to be moved by the key lever into the path of the lifting bar, and means actuated by the movable element of the till for operating said lifting bar to move the tablet to indicating position and operate the register-wheel, substantially as set forth. 5th. In a cash register, the combination with a tablet rod and a toothed register-wheel, of a spring-actuated pawl carried by the tablet rod adapted to engage directly with the teeth of the register-wheel to rotate the same, a key lever, a lifting bar for raising the tablet rod, a device carried by the tablet rod adapted to be moved by the key lever into the path of the lifting bar, means actuated by the movable element of the till for operating said lifting bar to move the tablet to indicating position and operate the register-wheel, and a locking bar for holding the tablet in the indicating position, substantially as set forth. 6th. In a cash register, the combination with a tablet rod and a toothed register-wheel, of a spring-actuated pawl carried by the tablet rod adapted to engage directly with the teeth of the register-wheel to rotate the same, a key lever, a lifting bar for raising the tablet rod, a device carried by the tablet rod adapted to be moved by the key lever into the path of the lifting bar, and means actuated by a rotary till cover for operating said lifting bar to move the

tablet to indicating position and operate the register-wheel, substantially as set forth. 7th. In a cash register, the combination with a tablet rod and a register-wheel, of a device carried by the tablet rod for rotating the register-wheel a lifting bar for raising the tablet rod to expose the tablet and rotate the register-wheel, a device carried by the tablet rod and operated by a key lever to move it into the path of the lifting bar, said lifting bar being operated by the till cover in opening the same, a locking bar for holding the tablet rod in its elevated position, a pivoted frame carrying said locking bar and operated by a key lever to release the tablet rod on the downward movement of the key, and means for returning the locking bar to its normal position to lock the tablet rod last operated, substantially as set forth. 8th. In a cash register, the combination with a tablet rod and a register-wheel, of a key lever for placing the tablet rod in position to be elevated, a catch for locking the till cover, a pivoted frame having a locking bar adapted to hold the tablet rod in an elevated position, and a foot adapted to engage with the catch for locking the till cover, said pivoted frame being operated in one direction by a key lever to release the till cover and in an opposite direction by the cover to throw the locking bar into engagement with the tablet rod, substantially as set forth. 9th. The combination with a tablet rod, a key lever and the till, of an operative connection between said tablet rod and till controlled by the lever, whereby the tablet rod is elevated by the opening of the till, and a pivoted locking bar for holding the tablet rod in its elevated position, said bar being placed into locking position by the opening of the till, and out of locking position by the key lever, substantially as set forth. 10th. A register-wheel stamped from sheet metal, having ratchet-teeth and provided with a character-bearing flange stamped from the body of the wheel. 11th. A registering-wheel stamped from sheet metal, having ratchet-teeth cut in the periphery of the wheel, and a character-bearing flange *a* or *a'* stamped from the body of the wheel. 12th. A set of register-wheels for cash registers, consisting of two sheet metal discs having ratchet-teeth stamped therefrom and provided with character-bearing flanges, said flanges being arranged to telescope and the outer flange being open at regular intervals to expose the characters on the inner flange, substantially as set forth. 13th. A set of register-wheels for cash registers, consisting of two sheet metal discs having character-bearing flanges and ratchet-teeth stamped therefrom, the character-bearing flanges being arranged to telescope, and the outer flange being spaced at regular intervals to expose the characters on the inner flange, substantially as set forth. 14th. In a cash register, the combination of a series of register-wheels arranged in pair and provided with telescoping character-bearing flanges, a normally non-rotating shaft upon which said wheels are loosely mounted, spacing blocks on said shaft between the wheels of each pair, and friction devices carried by said shaft between adjacent pairs or sets of wheels and adapted to rotate the wheels when the shaft is rotated to reset the wheels to zero, substantially as set forth. 15th. In a cash register, the combination with a series of register-wheels, of a shaft upon which said wheels are loosely mounted, a locking device for normally holding said shaft against rotation, a lock for preventing the disengagement of said locking device, and means for releasing said locking device to permit the rotation of said shaft to reset the register-wheels to zero, substantially as set forth. 16th. In a cash register, the combination with a series of register wheels, of a shaft upon which said wheels are loosely mounted, a locking device for normally holding said shaft against rotation, means controlled by the cover for the sight-opening for releasing the locking device and permitting the rotation of the shaft to reset the register wheels to zero, substantially as set forth. 17th. In a cash register, the combination of a series of register wheels, a cover for the opening through which the register wheels are visible, a shaft upon which said wheels are mounted, said shaft being capable of endwise and rotary movement to reset the wheels to zero, means for locking said shaft against rotation, said means being disengaged by moving the shaft endwise, and means for locking said shaft against endwise movement, said means being disengaged by the opening of the cover for the sight-opening, substantially as set forth. 18th. In a cash register, the combination of a series of register wheels, a cover for the opening through which the register wheels are visible, a shaft upon which said wheels are mounted, said shaft being capable of endwise and rotary movement to reset the wheels to zero, an arm carried by said shaft and engaging with the flange to lock the shaft against rotation, said arm being disengaged by moving the shaft endwise, and a wedge for locking said shaft against endwise movement, said wedge being disengaged by the opening of the cover for the sight-opening, substantially as set forth. 19th. A key lever for cash-registers having a body portion essentially U-shaped in cross section and adapted to be pivoted upon a shaft, an inner end adapted to engage with a tablet rod, a depressing end and a character-bearing plate, all stamped and shaped from one piece of sheet metal, substantially as set forth. 20th. In a cash-register, the combination with a key-lever shaft, of key-levers having springs engaging with grooves or depressions in said shaft to hold them against lateral movement on said shaft, substantially as set forth. 21st. In a cash-register, the combination with a key-lever shaft, of a key-lever stamped from sheet metal and having a projection struck from its body portion for engaging with a groove or depression in said shaft to hold the key-lever against lateral movement on said shaft, substantially as set forth. 22nd. In a cash-register, the combination with a key-

lever shaft, of a key-lever stamped from sheet metal and having a spring struck from its body portion for producing friction between said key-lever and shaft, substantially as and for the purpose set forth. 23rd. A tablet rod for cash-registers made from sheet metal, having a spring struck therefrom for moving a pawl or lever carried by the tablet rod into engagement with a registering-wheel, substantially as set forth. 24th. A tablet rod for cash registers made from sheet metal, provided with a movable device adapted to be engaged by an actuating device and having a spring struck therefrom for holding said device normally out of the path of said actuating device, substantially as set forth. 25th. A tablet rod for cash registers made from sheet metal and having a movable foot pivotally connected thereto by bending the upper part of said foot twice, each bend being substantially at a right-angle, and passing part of same through a slot in the rod, and said rod having a spring struck from its body and acting against said foot to maintain it in its normal position, substantially as set forth. 26th. A tablet rod for cash registers made from sheet metal and having a movable lever pivotally connected thereto and carrying pawls for operating register-wheels, said lever being pivoted to the rod by bending one end thereof twice, each bend being substantially at a right-angle, and passing part of same through a slot in the rod, and said rod having a spring struck from its body and acting against said lever, substantially as set forth. 27th. A tablet rod for cash registers consisting of a body stamped from sheet metal, a foot *b* pivoted thereto, a part of said body being so cut and bent as to form a spring for said foot, a lever *g* pivoted to said tablet rod and provided with pawls for operating a register-wheel, and a part of said body being so cut and bent as to form a spring for said lever, substantially as set forth. 28th. A tablet rod for cash registers made from sheet metal of substantially U-shape in cross-section, provided with a movable device held normally out of the path of a lifting rod by a spring struck from the back of the rod, a lug on either or both front edges of the rod with which a locking bar engages to hold the tablet in an elevated position, and a lug struck from the upper end of the bar for supporting the rod in its normal position, substantially as set forth.

No. 61,730. Valve. (*Soupage.*)



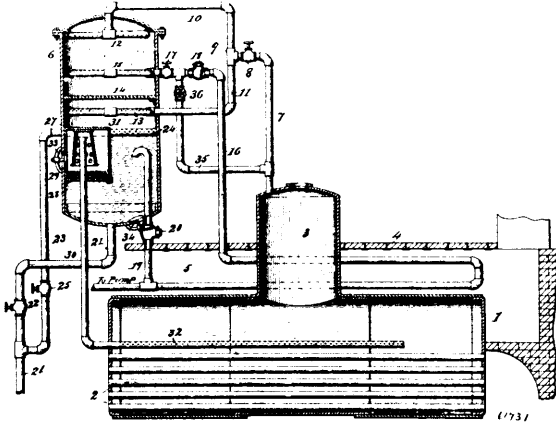
Line: In Alexander Lang, Yule, assignee of Edward Freeman Walsh, St. Paul, both in Minnesota, U.S.A., 16th November, 1898; 6 years. (Filed 15th September, 1898.)

Claim.—1st. In a valve gear, the combination substantially as set forth, of a single eccentric, a rodless strap therefor, a first pivot and a second pivot carried by said strap, a pivot fixed near the eccentric, a link supporting arm mounted thereon, a link pivot carried by the free end of said arm, a link pivoted on said link-pivot, a block adjustable in said link, a connecting bar pivoted to the link and to the first pivot of the eccentric strap, a connection from the second pivot of the eccentric strap to said fixed pivot to restrain the turning of the eccentric strap, and a connection between the second pivot of the eccentric strap and said link pivot whereby said link pivot is moved toward and from the eccentric. 2nd. In a valve gear, the combination, substantially as set forth, of a single eccentric, a rodless strap therefor, a first pivot and a second pivot carried by said strap, a pivot fixed near the eccentric, a link supporting arm mounted thereon, a link pivot carried by the free end of said arm, a link pivoted on said link-pivot, a block adjustable in said link, a connecting bar pivoted to the link and to the first pivot of the eccentric strap, and an arm mounted on said fixed pivot and connected with the second pivot of the eccentric strap and rigidly connected with said link supporting arm. 3rd. In a valve gear, the combination, substantially as set forth, of a single eccentric a rodless strap therefor, a first pivot and a second pivot carried by said strap, a pivot fixed near the eccentric, a bell-crank mounted on said fixed pivot and having one of its arms connected with the second pivot of the eccentric strap, a link pivoted to the other arm of the bell-crank, a link-block adjustable in said link, and a connecting bar pivoted to said link and to the first pivot of the eccentric strap. 4th.

In a valve gear, the combination, substantially as set forth, of a single eccentric, a rodless strap, a link-block adjustable therein, a connection pivoted to the link and to the eccentric strap to impart an oscillating movement to the link, and a bell-crank interposed between the link and eccentric and serving to reciprocate the link and to restrain the turning of the eccentric strap. 5th. In a valve gear, the combination, substantially as set forth, of a single eccentric, a rodless strap therefore, a link-supporting pivot mounted near the eccentric and capable of movement to and from the eccentric, mechanical connections between said pivot and strap for causing said pivot to move toward and from the eccentric, a link mounted on said pivot, a block adjustable in said link, and a connection pivoted to said strap and link for oscillating the link upon said supporting pivot.

No. 61,731. Feed Water Filter.

(*Filtre pour alimentateurs d'eau.*)

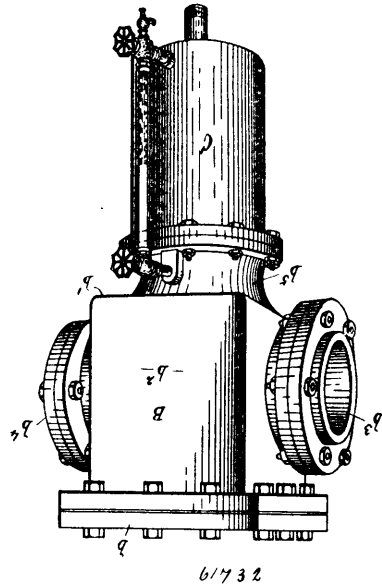


William Dougherty, Chester, and William Josiah Alexander, Media, both in Pennsylvania, U.S.A., 16th November, 1898; 6 years. (Filed 5th July, 1898.)

Claim.—1st. In a feed water precipitator and filter, the combination of a shell, a feed water pipe entering the upper portion of the shell and terminating in a spray head, a steam pipe, upper and lower branch pipes connected with said steam pipe, said branch pipes entering said shell and terminating in spray heads, one above and one below the spray head of said feed water pipe, the spray heads of said branch pipes arranged to discharge towards the other, a scum blow-off pipe, a bottom blow-off pipe, a box supported within said shell and having a perforated bottom, a filter situated within said box, and a boiler feed-pipe having its mouth within said box, said piping provided with suitable valves, substantially as described. 2nd. In a feed water precipitator and filter, the combination of a shell, a feed water pipe entering the upper portion of the shell and terminating in a spray head, a steam pipe, upper and lower branch pipes connected with said steam pipe, said upper branch pipe entering the upper portion of said shell and terminating in a spray head, said spray heads arranged to discharge towards each other, a perforated diaphragm secured beneath said spray heads, said lower branch pipe entering said shell and terminating in a spray head arranged below and adapted to discharge towards said diaphragm, a scum blow-off pipe, a bottom blow-off pipe, a box supported within said shell and having a perforated bottom, a filter situated within said box, hand-holes affording access to said box and shell, and a boiler feed-pipe having its mouth within said box, said piping provided with suitable valves, substantially as described. 4th. A water feed precipitator, consisting in the combination of a feed water heater having an inlet pipe adapted for connection with a pump or feed water source, a shell supported higher than said feed water heater, a pipe connected with the outlet of said heater and terminating within the upper portion of said shell, a circulation pipe connected with the inlet pipe of said feed water heater and terminating within the lower portion of said shell, said circulation pipe having a check valve opening from said shell, a boiler feed pipe terminating within the lower portion of said shell, the mouth of said boiler feed pipe opening within the shell above the level of the mouth of said circulation pipe and below the

mouth of the pipe from the heater outlet, said shell provided with a blow-off pipe, substantially as described. 5th. A feed water precipitator, having in combination with a boiler, a feed water heater, a shell supported higher than said boiler and feed water heater, a feed water pipe connected with the outlet of said heater and entering the upper portion of said shell, said feed water pipe possessing a check valve opening towards the shell, a circulation pipe entering the lower portion of said shell and having a check valve opening from said shell, said circulation pipe connected near the inlet of said feed water heater, a steam pipe connected with said boiler and entering the upper portion of said shell, a boiler feed pipe entering the lower portion of said shell and passing into said boiler, said shell provided with pipes arranged to discharge scum and deposited matter, the piping having suitable cut-off valves, substantially as described. 6th. A feed water precipitator and filter, having in combination with a boiler, a feed water heater, a shell supported higher than said boiler and feed water heater, a feed water pipe connected with the outlet of said heater and entering the upper portion of said shell, said feed water pipe possessing a check valve opening towards the shell, a circulation pipe entering the lower portion of said shell and having a check valve opening from said shell, the mouth of said circulation pipe within said shell opening downwardly, said circulation pipe connected near the inlet of said feed water heater, a steam pipe connected with said boiler and entering the upper portion of said shell, a box supported within said shell and having a perforated bottom, a filter situated within said box, a boiler feed pipe entering said shell and box and opening above said filter, said feed pipe passing into said boiler, said shell provided with pipes arranged to discharge scum and deposited matter, the piping having suitable cut-off valves, substantially as described.

No. 61,732. Separator. (*Séparateur.*)



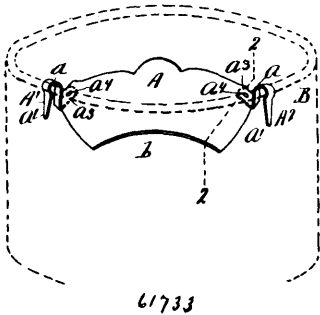
The A. A. Griffing Iron Company, No. 449 Communipan Avenue, New Jersey, assignee of Edward Peter Waggoner, Syracuse, New York, all in the U. S. A., 16th November, 1898; 6 years. (Filed 14th April, 1898.)

Claim.—1st. A separator comprising a frame having openings for the passing fluid, separating surfaces arranged in the path of said fluid, and enclosed conduits for the oil or other material to be separated, said conduits being arranged at the rear of the separating surface, and having inlet-openings arranged in proximity to said separating surfaces, and means for conducting the passing fluid to and from the frame, substantially as and for the purpose described. 2nd. A separator comprising an enclosing shell or casing, a frame removably arranged within the enclosing shell or casing and having openings for the passing fluid, separating surfaces arranged in the path of said fluid, enclosed conduits for the oil or other material to be separated, said conduits being arranged at the rear of the separating surfaces and having inlet-openings arranged in proximity to the separating surfaces, and having outer-openings in their lower ends, conduits for conducting the passing fluid to and from the enclosing shell or casing, and a receiving chamber arranged beneath the enclosing shell or casing and communicating with the outlet-openings of the conduits of the frame, substantially as and for the purpose specified. 3rd. A separator comprising an enclosing shell or casing, a frame removably arranged within the casing or shell and composed of separable sections, each section having openings for the passing fluid, separating surfaces arranged in the path of said fluid, and enclosed conduits for the oil or other material to be separated having inlet-openings extending forwardly from the separating surfaces, the openings of one of said sections being arranged out of alignment

with the corresponding openings in an adjacent section, and means for conducting the passing fluid to and from the enclosing shell or casing, substantially as and for the purpose set forth. 4th. A separator comprising a frame provided with a plurality of bars having adjacent edges thereof separated, said bars being each formed with transverse shoulders, grooves extending upwardly from the shoulders, and a lengthwise enclosed conduit communicating with the lower ends of the grooves, and means for conducting the passing fluid to and from the frame, substantially as and for the purpose described. 5th. A separator comprising an enclosing shell or casing, a frame composed of separable sections removably arranged one in advance of the other within the enclosing shell or casing, each section being provided with a plurality of bars united at their opposite ends and having adjacent edges thereof separated, the bars of one section being arranged out of alignment with the bars of contiguous sections, and having their front and rear faces separated from the bars of said contiguous sections, and each of said bars having its front or advance face formed with transverse shoulders, and grooves interposed between the shoulders and decreased upwardly in depth and being provided with a lengthwise enclosed conduit communicating with the lower ends of the grooves and having an outlet-opening in its lower end, conduits for conducting the passing fluid to and from the enclosing shell or casing, and a receiving chamber communicating with the outlet-openings of the lengthwise conduits in said bars, substantially as and for the purpose specified.

sides foldably connected together, a catch located on one of said sides and adapted to hold said trap in its operative position, and

No. 61,733. Mustache Guard. (*Garde-moustache.*)



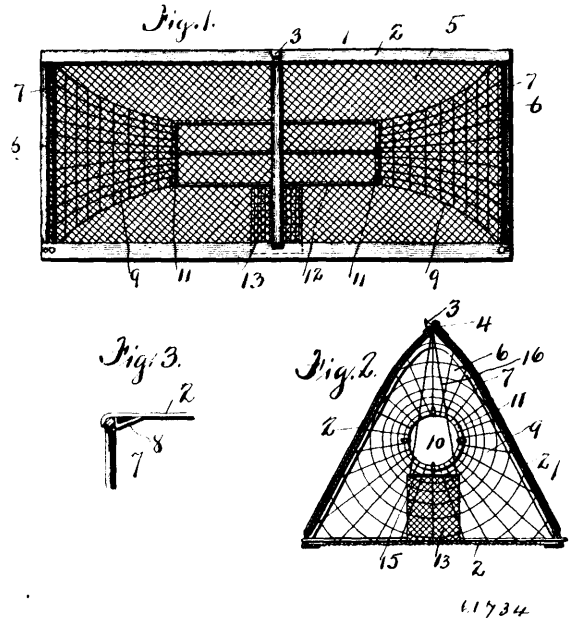
Elizabeth C. Donaldson, Detroit, Michigan, U.S.A., 16th November, 1898; 6 years. (Filed 18th July, 1898.)

Claim.—1st. A detachable mustache guard consisting of an elongated body curved in cross-section and convex on its upper surface adapted to be placed inside of and below the top edge of a drinking vessel to which it is attached, combined with movable hooks pivoted to opposite upper corners of the body, said hooks to be turned upon the body so as to adapt them to fit vessels of different sizes, the ends of the body being round so as to fit against the inner surfaces of said vessel, substantially as described. 2nd. A detachable mustache guard formed with an integral body to extend to opposite sides of a drinking vessel, combined with attaching hooks jointedly connected with the extremities of said body by upright pivot pins, substantially as described. 3rd. A detachable mustache guard formed with an elongated body to extend to opposite sides of a drinking vessel and projecting downward from the rear edge to the front edge thereof, combined with movable attaching hooks pivoted to opposite edges of said body, each of said hooks having an arm projecting laterally from the lower portion of the hook, said arms being jointedly connected with said body, substantially as described. 4th. A detachable mustache guard formed with an integral body to extend to opposite sides of a drinking vessel curved in cross-section and projecting laterally from the rear edge to the front edge thereof, combined with movable attaching hooks at opposite ends of the body, each of said hooks formed with a laterally projecting arm jointedly connected with said body, said hooks located at the rear of the extremities of the body and turned upward to fit against the inner surface of the drinking utensil, the outer ends of the attaching hooks bent over and downward to fit over the upper edge and against the outer surface of the vessel, said hooks arranged to turn in opposite directions upon said body, substantially as described.

No. 61,734. Lobster Trap. (*Parc à homards.*)

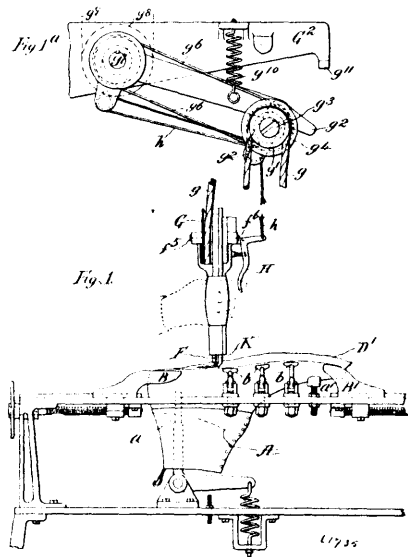
Charles A. Woodman, Alberton, Prince Edward Island, Canada, 16th November, 1898; 6 years. (Filed 15th August, 1898.)

Claim.—1st. A lobster trap, comprising a plurality of sides foldably connected together, and netted ends pivotally mounted in said sides, and adapted to be folded inwardly on to one of said sides, substantially as described. 2nd. A lobster trap, comprising a plurality of



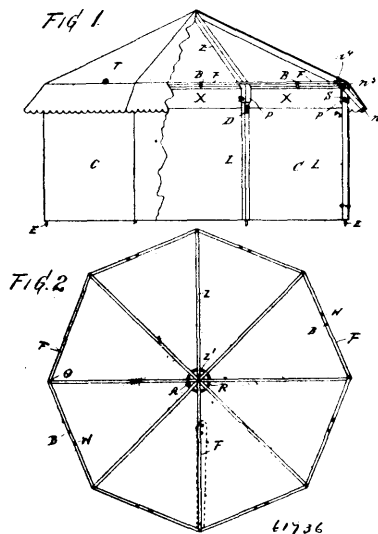
netted ends pivotally secured on said sides and adapted to be folded inwardly on to one of said sides, substantially as described.

No. 61,735. Sewing Machine for Lasting Boots or Shoes. (*Machine à coudre pour chaussures.*)



Napoleon Goddu and George Goddu, both of Winchester, Massachusetts, U.S.A., 16th November, 1898; 6 years. (Filed 12th October, 1898.)

Claim.—1st. A machine for lasting by sewing, made up of a sewing-machine, and its work-holder composed of a last as the inner clamping member and a plurality of independent pressers on all sides of the last, as the outer clamping members, organized to hold the edge of the upper and a lip on the inner sole in position to be sewed together by the sewing machine, substantially as described. 2nd. In combination, a lasting-machine comprising a support for the last, and independent pressers to hold the upper in place on the last with the edge of the upper in position to be sewed to a lip on the inner sole, a sewing-machine, and means for supporting and actuating the sewing-machine which permit it to be moved into all the positions necessary to sew the upper to the lip on the inner sole while held in the lasting machine by the last of the inner clamping member and the pressers as the outer clamping member, all organized to operate, substantially as described.

No. 61,736. Tent or Booth. (*Tente et pavillon.*)

Juan Watson Ernest, New York City, New York, U.S.A., 16th November, 1898; 6 years. (Filed 12th October, 1898.)

Claim.—1st. In a tent or booth, a central member or frame comprising a series of rafters pivotally connected together at one of their ends, so that the ends impinge against and brace each other, and a series of braces or bars forming a circuit at the other end of the rafters, the end of said braces or bars being lapped upon the rafters, and attached thereto with pins or bolts, the braces being of a length to hold the rafters elevated at the centre, thus forming a strong self-supporting frame. 2nd. In a tent or booth, a central member or frame comprising a series of rafters pivotally connected at one of their ends and adapted to fold upon themselves, a series of braces or bars in pairs pivotally attached at one of their ends to the outer ends of rafters, the other ends being detachably attached to the next rafter when the frame is expanded, forming a complete circuit of the ends of the rafters and swinging up parallel with the rafters when folded, said braces or bars being secured together near one end thereof by a shoulder rivet or similar device. 3rd. In a tent or booth, a central member or frame comprising a series of rafters pivotally connected at one of their ends so that they may bear against and brace each other and adapted to fold upon themselves, and a series of braces or bars which are provided with pieces of metal projecting at their ends, to lap upon the rafters, said braces being attached thereto with pins or bolts through their lapping ends to the rafters, and when expended forming a circuit of braces and constituting a self-supporting frame, substantially as and for the purpose set forth. 4th. In a tent or booth, a central member or frame comprising a series of rafters pivotally connected at one of their ends and adapted to be held rigid at the apex thereof by bracing against each other when extended, a series of metal angle-braces and sockets attached to the other end thereof, and a series of braces forming a circuit at the outer end of the rafters when expanded, the ends of said braces or bars being lapped upon the rafters and attached thereto, with pins or bolts, the braces being of a suitable length to hold the rafters elevated at the centre, and said angle braces also being suitably braced thus forming a frame that is self-supporting, substantially as and for the purpose specified. 5th. In a tent or booth, a central member or frame comprising a series of rafters pivotally connected at one of their ends and adapted to fold upon themselves, and when expanded to rise to an apex in their centre, a series of suitable braces the ends of which lap upon the rafters and are attached thereto with pins or bolts, said braces connecting the rafters and forming a circuit near the outer ends thereof and attached to the outer end of each rafter is a metal angle brace, provided with sockets and a series of legs removably attached to said sockets, substantially as and for the purpose specified. 6th. A tent or booth, comprising the combination of a suitable skeleton frame of rigid material with a side covering of flexible material extending almost to the eaves and a flexible top covering extending over the eaves to connect with the said side covering to enclose the tent, and provided with strips of rigid material each of which is provided at one end with a small hole or opening by which it is secured to the outer edge of said top, the opposite end being provided with a slot in the end thereof, and a keyhole adjacent thereto, said slot and keyhole being adapted to engage the shanks of screws or bolts which are partially inserted in said rafters adjacent to the outer ends thereof whereby the outer edge of the top covering may be held out to provide means for ventilating and lighting the interior and for a better external appearance. 7th. In a tent or booth, a central member or frame, comprising a series of rafters pivotally connected at one of their ends and adapted to fold upon themselves, and then expanded to

rise to an apex in their centre, the outer ends of said rafters being provided with a series of suitable braces the ends of which lap upon the rafters and are attached thereto with pins or bolts, said braces connecting the rafters and forming a circuit, and a series of metal braces angling near the centre of their length and rectangular in transverse section, one end of which is provided with threaded bolts removably attaching a series of legs and to rigidly hold them to the rafters, substantially as and for the purpose specified. 8th. The combination in a tent or booth, of the central member or frame comprising a series of rafters pivotally connected at one of their ends, to fold upon themselves, and when extended to rise to an apex at the pivotal connection, the outer ends of said rafters being provided with metal braces with sockets angular in cross-section, a series of braces or bars connecting the free ends of the rafters and forming a circuit and a series of legs adapted to engage with sockets and support the frame. 9th. In a tent or booth, the combination of a series of rafters pivotally connected at one of their ends to fold upon themselves and a series of metal braces with sockets which are angular in cross-section, said braces being bent centrally to form an obtuse angle, and each being provided with a threaded bolt or thumb-screws to removably attach one end with a suitable leg, the other end being attached to the outer end of one of said rafters. 10th. The combination in a tent or booth, of a series of rafters, upon the outer ends of which are secured metal angle-braces with sockets provided with screw-threaded bolts, the other ends of said rafters being pivotally connected with a central ring and adapted to fold upon themselves, a series of legs adapted to enter said sockets, and a number of panels or sections of rigid material extending from one leg to the next, and being detachably secured thereto, substantially as and for the purpose herein specified. 11th. A tent or booth comprising the combination of a series of rafters pivotally connected at one of their ends, a series of legs adapted to support said rafters, a series of metal angle-braces with angular sockets adapted to detachably unite said legs and rafters, and a series of bars or long braces adapted to grip the outer end of rafters between the ends of braces, substantially as herein specified. 12th. A tent or booth comprising the combination of a series of rafters pivotally connected at one of their ends and a hole through their other ends, a series of braces connecting said rafters, a series of metal keys consisting of a rod with a handle formed at one end thereof and a shoulder adjacent to said handle, the other end being provided with a lug or projection, and a washer having a circular inclined plane adjacent to an opening formed therein, to impinge the ends of braces against the rafters by the operation of said key upon the circular inclined plane. 13th. In a tent or booth, a flexible top covering and thin strips or bars of rigid material provided with attaching-holes whereby one end of said bar may be attached to the top covering of the tent or booth, and the other end being provided with a slot in the end thereof and a keyhole adjacent thereto, said slot and keyhole being adapted to engage the shanks of screws or bolts suitably mounted on the central member, whereby means is provided to hold the flexible top covering extended at its edge. 14th. In a tent or booth, a series of suitable legs and a side covering of flexible material, extending nearly to the eaves, and which is provided with eye-lets at the lower edge thereof and with rings, loops or holes at the upper edge thereof, said legs having a pin or projection at their lower ends adapted to engage the eye-lets attached to the lower edge of the side covering, and having a strap, rope, or thong attached near the upper ends of legs to engage the rings, loops, or holes near the upper edge of the side covering, substantially as specified. 15th. In a tent or booth, an angular brace, the same being provided with a leg-socket and a rafter-socket said sockets being rectangular in transverse section, the rafter-socket being adapted to be secured to a rafter by screws or bolts, and the leg-socket being adapted to be secured to a leg by a thumb-screw, substantially as and for the purpose specified. 16th. In a tent or booth, folded braces pivoted to suitable rafters near their outer ends and extending successively from one rafter to the next, and folding between the rafters when packed for shipping but when extended for use holding the rafters rigidly fixed and bracing against each other, substantially as and for the purpose specified. 17th. In a tent or booth, a flexible top covering and thin strips or bars of rigid material provided with attaching hole whereby one end of said bar may be attached to the top covering of the tent or booth and the other end provided with suitable means for detachably attaching it to the frame of the tent to hold the flexible top covering to the frame and extend it beyond the sides of the tent.

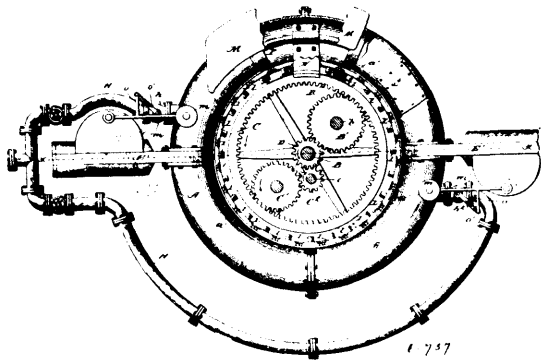
No. 61,737. Pneumatic Motive Power.

(*Force motrice pneumatique.*)

Louis H. Mayer, Philadelphia, Pennsylvania, U.S.A., 16th November, 1898; 6 years. (Filed 9th September.)

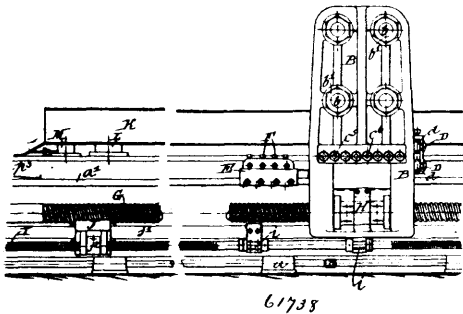
Claim.—1st. In a device of the character described, gates for dividing the main tube into sections, consisting of an encasement divided into chambers, the forward one being of larger dimensions than the rear one, said chambers being separated by an air-tight partition, the forward chamber provided with a reciprocating movable gate having a rearward plate, from the centre of which extends a piston rod extending through stuffing box of the partition that divides the chambers of the encasement and thence passes rearwardly and is connected by a nut bolt to a disc head, the periphery of which conforms to the inner surface of the smaller cham-

ber, in combination with branch pipes having inlets within said chamber at opposite sides of the disc head of the piston, the branch



pipes being connected to a main exhaust tube, and means for opening and closing said branch pipes, whereby as air is exhausted from either surface of the piston head disc, the gate connected to the piston will reciprocate within the encasement, as and for the purpose intended, substantially as described. 2nd. In a pneumatic motive device of the character described, a main slotted tube, a piston adjusted to travel within said main tube and having a grip arm extending outwardly through the slot of the tube connected to gear wheel of mechanism outside of the tube, said grip arm having an upturned branch, to the outer end of which is connected a bar for opening and closing valves of pipes connected to the main tube, said upturned branch of the grip arm supplied with bent coupler, all in combination with slot valve gates having outwardly extending friction rollers, one above the other, which the coupler as the piston traverses the main tube will cause to consecutively open and close said slot, substantially as described. 3rd. In a pneumatic motive device of the character described, a tube with a slot extending lengthwise thereof, the tube at one side of said slot having an outwardly extending flange, the tube at the opposite side of the slot provided with an uprising back plate in combination with slot valves adapted to slide in alignment with said back plate, and when actuated to close the slot and rest upon the tube flange at side of the slot, said slot valves being each provided with two friction rollers, one above the other in vertical alignment, and bent coupler extending from grip arm of a piston moved within the tube by exhaust of air therefrom, the upturned bent portion of the coupler as it progresses by engagement with the upper friction roller extending from the valve gate lifts said valve gate outwardly from the tube slot and the downwardly bent portion of the coupler when brought into engagement with lower friction roller extending from the valve gate forces it within the tube slot and closes it, substantially as described.

No. 61,738. Machine for Forming Edges on Pipe Plates. (*Machine à former les rebords sur les plaques de tuyaux.*)

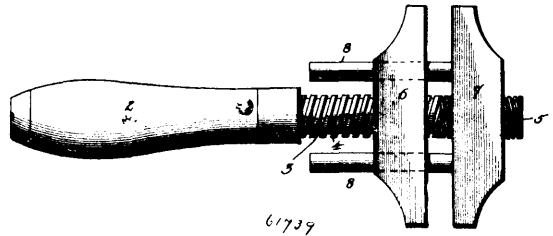


Nephan Ferguson, Olderfleet, Collins Street, Melbourne, Victoria, Australia, 16th November, 1898; 6 years. (Filed 22nd July, 1898.)

Claim.—1st. In a machine for forming dove-tail or approximately dove-tail edges on plates to be used in the manufacture of rivetless pipes a bed such as A, made in two parts longitudinally with distance pieces such as A', and having planed guide ways such as a', substantially as and for the purposes herein described and explained and as illustrated in the accompanying drawings. 2nd. In a machine for forming dove-tail or approximately dove-tail edges or plates to be used in the manufacture of rivetless pipes, a travelling saddle such as B, comprising two castings adapted to slide along planed guideways and connected together by tie-bolts such as b, substantially as and for the purposes herein described and explained

and as illustrated in the accompanying drawings. 3rd. In a machine for forming dove-tail or approximately dove-tail edges on plates to be used in the manufacture of rivetless pipes, a travelling saddle or saddles such as B E, fitted with a set of cutters such as F, arranged slightly in advance of each other together with a set of correspondingly arranged rollers such as C, substantially as and for the purposes herein described and explained and as illustrated in the accompanying drawings. 4th. In a machine for forming dove-tail or approximately dove-tail edges on plates to be used in the manufacture of rivetless pipes the combination with a holding down beam or beams or girders such as K, of a pair or pairs of hydraulic cylinders such as L, M, the one to draw down and the other to raise said beam or beams, substantially as and for the purpose herein described and explained and as illustrated in the accompanying drawings. 5th. In a machine for forming dove-tail or approximately dove-tail edges on plates to be used in the manufacture of rivetless pipes a screw-threaded shaft such as G, in combination with a travelling support or supports such as J, moved at or about one-half the speed of the saddle or saddles operated by said screw-threaded shaft, substantially as and for the purposes herein described and explained and as illustrated in the accompanying drawings. 6th. In a machine for forming dove-tail or approximately dove-tail edges on plates to be used in the manufacture of rivetless pipes, a screw-threaded shaft such as G, for operating the tool carrying saddle or saddles in combination with a set of conical anti-friction rollers such as g', bearing against the face of a collar on said shaft, substantially as and for the purposes herein described and explained and as illustrated in the accompanying drawings. 7th. In a machine for forming dove-tail or approximately dove-tail edges on plates to be used in the manufacture of rivetless pipes, a pair of vertically adjustable rollers such as D, for regulating the thickness of the upset or dove-tail or approximately dove-tail edge of the plate, substantially as and for the purposes herein described and explained and as illustrated in the accompanying drawings.

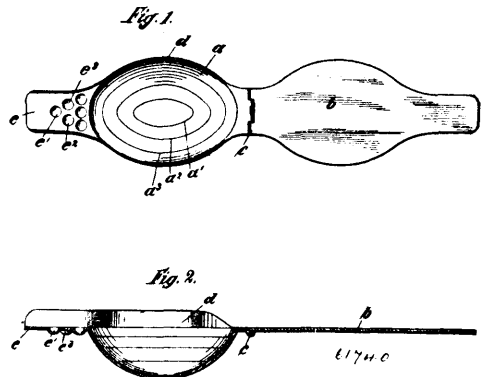
No. 61,739. Wrench. (*Clé à écrou.*)



Virgile Delavelle, Montreal, Quebec, Canada, 16th November, 1898; 6 years. (Filed 27th June, 1898.)

Claim.—1st. A wrench, comprising a handle, a rod extending outwardly therefrom, said rod being provided with oppositely-disposed screw-threads, and two jaws mounted on said rod, each jaw being mounted on a different screw-threaded portion, said jaw being movable toward and from each other caused by the rotation of said handle, substantially as described. 2nd. A wrench, comprising a handle, a rod extending therefrom, said rod being provided with oppositely-disposed screw-threaded portions, the screw-threads of said portions being arranged at a different pitch, and two jaws mounted on said screw-threaded portion, each jaw being on a separate portion, said jaws being movable toward and from each other caused by the rotation of said handle, said movement being at a different degree of rapidity, substantially as described.

No. 61,740. Medicine Spoon. (*Cuillère.*)

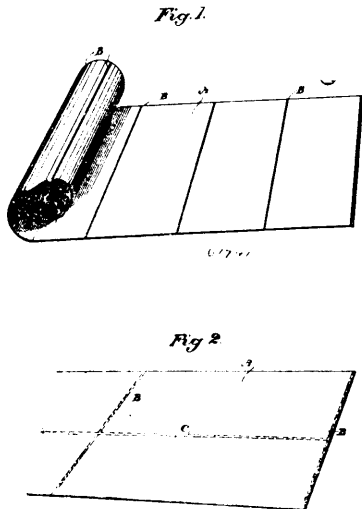


Franz Joseph Mohr, Kessenich near Bonn, Rheinweg 16, Germany, 16th November, 1898; 6 years. (Filed 2nd July, 1898.)

Claim.—1st. A medicine spoon comprising a handle, a bowl having indicated thereon regular sub-divisions of the bowl, and a mouth

piece extending from said bowl and having therein depressions adapted to receive pills or pellets, substantially as described. 2nd. A medicine spoon comprising a jointed handle, a bowl having indicated thereon regular sub-divisions of the bowl, and a mouth piece extending from said bowl and having therein depressions adapted to receive pills or pellets, substantially as described.

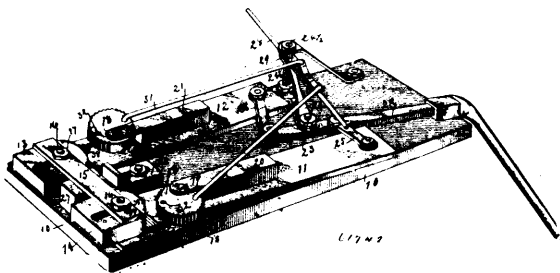
No. 61,741. Wrapping Paper. (*Papier à envelopper.*)



Horace Blackman, Henry Cone, and Burton J. Neill, all of San Francisco, California, U. S. A., 16th November, 1898; 6 years. (Filed 12th October, 1898.)

Claim—1st. As a new article of manufacture, wrapping fabric having a series of bendable pieces secured thereto and located at intervals to permit the separation of portions of the fabric of various sizes, said bendable pieces being capable of remaining in any shape to which they are bent, substantially as described. 2nd. As a new article of manufacture, a roll or web of wrapping fabric having a series of parallel bendable pieces embedded therein and extending transversely across the fabric from one side to the other and located at intervals to permit portions of the fabric of various lengths to be severed from the main portion, the said bendable pieces being capable of remaining in any shape to which they are bent, substantially as described.

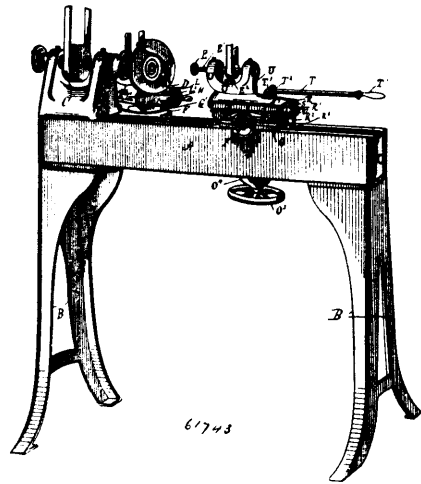
No. 61,742. Tire Shrinker and Stretcher.
(*Rétrécisseur et tendeur de bandages.*)



Walter A. Ellis, Altoona, Iowa, U. S. A., 17th November, 1898; 6 years. (Filed 12th August, 1898.)

Claim—1st. In a tire shrinker, the plates 11 and 12, pivoted to the base 20 and having ratchet faced top surfaces at their free ends, adjustable blocks 13 and 14 fitted to the said ends of the said plates, a block 27, adjustably placed on the said base, eccentrics 18, pivoted to the said plates 10 and 11 and means for operating the said plates and eccentrics in the manner set forth for the purposes stated. 2nd. A tire shrinker comprising a flat base, two plates pivotally connected on top of the base to a lever, an eccentric pivoted on the top of each of said plates, an adjustable block connected with the free end of each one of the pivoted plates, a block slidingly placed between the said adjustable blocks, a lever pivoted to the base and connected with the said plates by means of links, and rods pivotally connected with said lever and the eccentrics, all arranged and combined to operate in the manner set forth for the purposes stated.

No. 61,743. Grinding Machine. (*Aiguiserie.*)



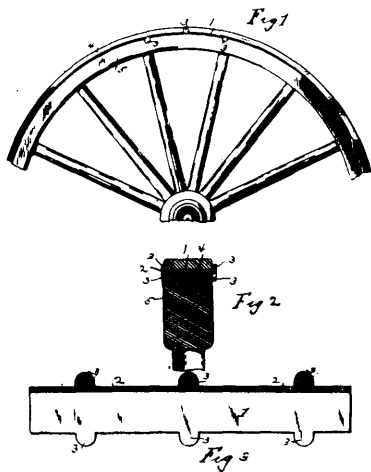
Walter Charles Baker, Cleveland, Ohio, U. S. A., 17th November, 1898; 6 years. (Filed 25th August, 1898.)

Claim—1st. In a grinding-machine of the character set forth, the combination with the wheel for grinding the exterior of the article, of a slide-rest upon which said wheel is mounted and is operated, said slide-rest being adjustable along the length of the bed of the machine, adjustable horizontally in a circle, in relation to its base, and adjustable in directions at right angles to each other, substantially as shown and described. 2nd. In a grinding-machine of the character set forth, the combination with a rotary chuck, adapted to hold and rotate the article, of a reciprocating exterior grinding-wheel mounted and operating upon an adjustable slide-rest, said slide-rest being swivelled to a base, the base, in turn, adapted to be adjusted along the bed of the machine, and means for automatically reciprocating said grinding-wheel above the swivelled connection, substantially as set forth. 3rd. In a grinding-machine of the character indicated, the combination with a rotary chuck, of a rotating and reciprocating grinding-wheel or cutter adapted to operate upon the exterior of the article, said grinding-wheel swivelled, in relation to the bed of the machine and the chuck, for the purpose of regulating the range of feed, and means for adjusting the extent of the reciprocation and the cut located above said swivelled portion, with means for automatically reciprocating the grinding-wheel or cutter along the range of feed, substantially as set forth. 4th. In a grinding-machine of the character set forth, the combination with a rotary chuck, of grinding-wheels mounted and operated upon slide-rests, said slide-rests being adjustable along the length of the bed of the machine, and both provided with sections, which are automatically reciprocated, thus in turn reciprocating their respective grinding-wheels, and sections movable in relation to said automatically reciprocated sections, said movement being in the same direction as the reciprocation, whereby the wheels may be removed from their work quickly, substantially as and for the purpose set forth. 5th. In a grinding-machine of the character set forth, the combination with the rotating chuck for holding and rotating the article to be operated upon, of a grinding-wheel or cutter, said grinding-wheel or cutter being mounted upon and automatically reciprocated by a suitably operated slide-rest, said slide-rest, in turn, being provided with means substantially as set forth, whereby the grinding-wheel may be quickly removed from the work, in line with its range of feed or reciprocation, substantially as and for the purpose set forth. 6th. In a grinding machine of the character set forth, the combination with the rotating chuck adapted to hold and rotate the article to be operated upon, of a grinding-wheel for operating upon the interior of the article, said wheel being mounted upon a slide-rest, which is automatically reciprocated in line with the axis of the article, thus, in turn, reciprocating said wheel, in combination with an adjustable lever, and a cam for operating in conjunction with said lever, to automatically reciprocate the said slide-rest and wheel, the cam, in turn, being so connected to said slide-rest as to move with the same as the slide-rest is adjusted along the length of the machine, substantially as and for the purpose set forth. 7th. In a grinding-machine of the character set forth, the combination with a rotating chuck for holding and rotating the article to be operated upon, of a grinding-wheel or cutter for operating upon the exterior of the article, said grinding-wheel or cutter mounted upon an automatically reciprocating slide-rest, said slide-rest being swivelled and adjustable lengthwise, in relation to the bed of the machine, and a rack and pinion mechanism located above the swivelled portion of the slide rest, a shaft connected to said pinion and adjustable rocking levers connected with and operated by a cam, for the purpose of automatically reciprocating the upper portion of the slide-rest, said cam being so connected to the slide-rest as to move with the same, as the slide-rest is adjusted along the be of

the machine, substantially as and for the purpose set forth. 8th. The combination, in a grinding machine, of a rotating chuck, grinding-wheels operating upon the interior and exterior of the article, means for adjusting said grinding-wheels in relation to the work, means for removing said grinding-wheel from the work independent of the reciprocating mechanism, and cams operating adjustable levers for automatically reciprocating the grinding-wheel, both cams being mounted upon and operated by a single shaft, and both cams being removable along the shaft, substantially as and for the purpose set forth. 9th. The combination, in a grinding-machine, of a rotary chuck, a rotary reciprocating interior grinding-wheel, a rotary reciprocating exterior grinding-wheel, means for automatically reciprocating both wheels along their range of feed, means for adjusting both wheels in relation to the work, means for adjusting both wheels along the bed of the machine, and in relation to such bed, means for horizontally adjusting both wheels in relation to the work, cams and adjustable levers with suitable intervening mechanism for automatically reciprocating said wheels along their range of feed, or line of work, and independent means for removing the wheels from the work, in a line with the range of feed, without interfering with a set of said wheels, substantially as and for the purpose set forth.

No. 61,744. Tire Tightener.

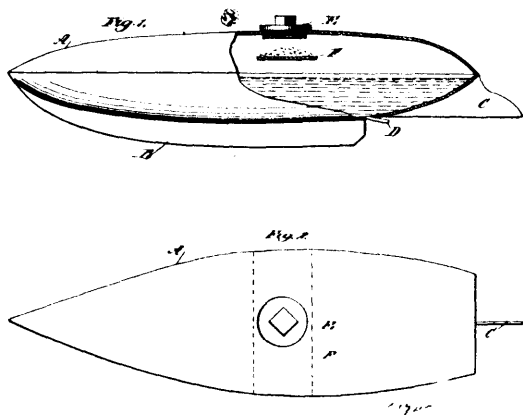
(Appareil à assujettir les bandages.)



James Henry Osten, White City, Kansas, U.S.A., 17th November, 1898; 6 years. (Filed 31st August, 1898.)

Claim.—A device of the class described, designed to be applied to a wheel after the same has become worn and adapted to tighten the tire, and comprising a strip of metal designed to be driven between the tire and the felly and adapted to extend longitudinally of the same and provided at one side with a longitudinally-disposed bevelled edge 2, forming a wedge-shaped portion to enable the device to be readily forced in position, and the lips 5 arranged at intervals throughout the length of the strip at each of its side edges and adapted to be bent in opposite directions to engage the opposite faces of the wheel, the lips at the bevelled edge of the strip being bevelled or wedge-shaped, substantially as described.

No. 61,745. Toy Boat. (Bateau-jouet.)

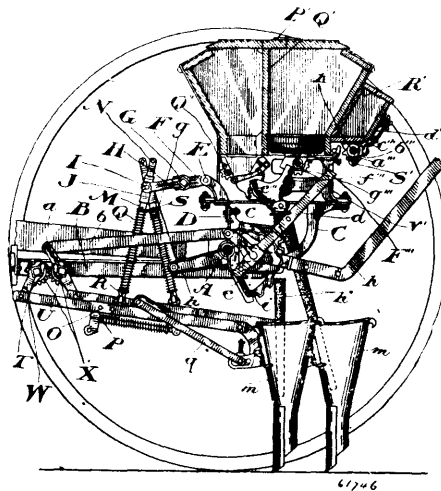


Josiah Thomas Crawley, Honolulu, Hawaiian Islands, 17th November, 1898; 6 years. (Filed 19th September, 1898.)

Claim.—1st. The herein described method for propelling a boat, consisting of partly filling the boat with a liquid and then generating a gas in the compartment containing the liquid, to force the latter through a minute outlet in a rearward direction into the water in which the vessel is floating, substantially as shown and described. 2nd. As a new article of manufacture, a toy boat, having a closed hull adapted to receive a liquid and gas producing substances, and a minute discharge pipe leading from the bottom of the hull in a rearward direction, substantially as shown and described. 3rd. As a new article of manufacture, a toy boat consisting of a closed hull adapted to be partly filled with water, a minute discharge pipe leading from the bottom of the hull in a rearward direction in alignment with the keel of the boat, a shelf within the hull, and adapted to sustain chemicals, and a filling opening on said hull and normally closed by a screw cap, substantially as shown and described.

No. 61,746. Seeding and Fertilizing Machine.

(Semoir et machine à engraisser.)



James Samuel Heath, Toronto, Ontario, Canada, 17th November, 1898; 6 years. (Filed 8th October, 1898.)

Claim.—1st. In a seeding machine in which independent drag bars are used, a drag bar, a divided quadrant plate pivoted to the drag bars, and locking mechanism connecting the quadrant plate with the drag bars, in combination with a drill hoe, ribs or flanges formed on its front side and adapted to fit into grooves formed in the parts of the quadrant plate, and a pinch bolt passing through the said parts and adapted to clamp them on the aforesaid ribs or flanges, substantially as and for the purpose specified. 2nd. In a seeding machine in which independent drag bars are used, a drag bar, a divided quadrant plate supported by the drag bar, in combination with a drill hoe, ribs or flanges formed on its front side and adapted to fit into grooves formed in the parts of the quadrant plate, and a pinch bolt passing through the said parts and adapted to clamp them on the aforesaid ribs or flanges, substantially as and for the purpose specified. 3rd. In a seeding machine in which independent drag bars are used, a drag bar, a divided quadrant plate supported by the drag bar, in combination with a drill shoe, ribs or flanges formed on the front side of the grain tube of the shoe, and adapted to fit into grooves formed in the parts of the quadrant plate, and a pinch bolt passing through the said parts and adapted to clamp them on the aforesaid ribs or flanges, a brace extending forward from the front of the shoe, and detachable connection between the front of the brace and the drag bar, substantially as and for the purpose specified. 4th. In a seeding machine in which independent drag bars are used, a drag bar, a quadrant plate supported by the drag bars, in combination with a drill shoe, the grain tube of which is detachably connected to the said quadrant plate, a brace extending forward from the front of the shoe, and a detachable connection between the front of the brace and the drag bars, substantially as and for the purpose specified. 5th. In a seeding machine in which the independent drag bars are used, a drag bar, in combination with a drill shoe, the grain tube of which is detachably connected to the rear of the said drag bars, a brace extending forward from the front of the shoe, and a detachable connection between the front of the brace and the forward part of the drag bar, substantially as and for the purpose specified. 6th. In a seeding machine in which independent drag bars are used, a drag bar, a quadrant plate pivoted thereto, and having a notched slot formed therein, the centres of the notches being on the arc of a circle struck from the pivot point, in combination with braces having their lower ends connected by a bolt adapted to enter the said notches, locking mechanism to which the other ends of the said braces are pivoted, a hook embracing the bolt connecting the braces, and extending up through a slot in the quadrant plate

and a spring arranged to act upon the said hook to retain the brace bolt in any of the notches desired, substantially as and for the purpose specified. 7th. In a seeding machine in which independent drag bars are used, a drag bar, a quadrant plate pivoted thereto, and braces pivotally connected to the said plate, in combination with a locking lever pivoted within the drag bar and having a rectangular gap formed in the underside of its forward end, an adjusting bolt having its central portion square in section so as to fit the said gap in any position, square cheeks formed on the bolt and adapted to rest on the drag bars, eccentric studs on the ends of the bolt upon which the braces are pivoted, and a spring acting on the drag bars and locking lever tending to retain the latter in its normal position, substantially as and for the purpose specified. 8th. In a seeding machine in which independent drag bars are used, a drag bar, a quadrant plate pivoted thereto, and braces pivotally connected to the said plate, in combination with a locking lever pivoted within the drag bar and having a rectangular gap formed in the underside of its forward end, an adjusting bolt having its central portion square in section so as to fit the said gap in any position, square cheeks formed on the bolt and adapted to rest on the drag bars, eccentric studs on the ends of the bolt upon which the braces are pivoted, a plunger pivotally connected to the lower end of the locking lever, and having a notch or hole near its forward end, a plunger guide secured to the drag bar and slotted for the passage of the plunger, and a spring setting against the said plunger guide, and a pin or washer on the plunger, substantially as and for the purpose specified. 9th. In a seeding machine, in which independent drag bars are used, a drag bar, a quadrant plate pivoted thereto, and braces pivotally connected to the said plate, in combination with a locking lever pivoted within the drag bar, an adjusting bolt adapted to engage the end of the locking lever in two or more positions, eccentric studs on the ends of the bolt upon which the braces are pivoted, and a spring acting on the drag bar and locking lever tending to retain the latter in its normal position, substantially as and for the purpose specified. 10th. In a seeding machine in which the independent drag bars are used, a drag bar, a quadrant plate pivoted thereto, and braces pivotally connected to the said plate, in combination with a locking lever pivoted within the drag bar, an adjusting bolt adapted to engage the end of the locking lever in two or more positions, eccentric studs on the ends of the bolt upon which the braces are pivoted, lips formed on one side of the outer end of each stud to retain the braces in position, and a spring acting on the drag bar and locking lever tending to retain the latter in its normal position, substantially as and for the purpose specified. 11th. In a seeding machine in which independent drag bars are used, a drag bar, a quadrant plate pivoted thereto, and braces pivotally connected to the said plate, in combination with a locking lever pivoted within the drag bar, and having the braces pivoted to its upper end, means for shifting the relative position of the pivots of the braces and the locking lever, a plunger pivotally connected to the lower end of the locking lever, a plunger guide connected to the drag bars and slotted for the passage of the plunger, and a spring acting against the said plunger guide and a pin or washer on the plunger, the plunger having a notch or hole formed therein through which a pin may be passed to engage the forward side of the plunger guide to maintain the spring in compression while the relative position of the aforesaid centres is being changed, substantially as and for the purpose specified. 12th. In a seeding machine in which independent drag bars are used, a series of drag bars pivotally connected with the forward part of the frame of the machine, a vertical bar pivoted to each drag bar, a slipper on each vertical bar, a pin through the upper end of each vertical bar, in combination with two or more arms pivoted on the frame of the machine above the drag bars, a shaft rigidly secured to the said arms, a series of arms corresponding in number to the drag bars rigidly secured to the said shaft, and each pivotally connected to a slipper, and means for adjusting the height of the said shaft, substantially as and for the purpose specified. 13th. In a seeding machine in which independent drag bars are used, a drag bar pivotally connected with the forward part of the machine, a vertical bar pivoted to the drag bar, a slipper sliding on the said vertical bar, trunnions on the said slipper, the centre line of which intersects the vertical axes of the slipper, a swinging arm in which the said trunnions are journaled and means for swinging and adjusting the said arm, substantially as and for the purpose specified. 14th. In a seeding machine in which independent drag bars are used, a drag bar pivotally connected with the forward part of the machine, a vertical bar pivoted to the drag bar, a slipper sliding on the said vertical bar, trunnions on the said slipper, the centre line of which intersects the vertical axis of the slipper, lugs on the slipper behind the trunnion, an arm with jaws formed at the end, the jaws being gapped to receive the trunnions, shoulders formed at the back of each gap to engage the lugs on the slipper when the latter is in working position, and means for swinging and adjusting the said arm, substantially as and for the purpose specified. 15th. In a seeding machine in which independent drag bars are used, a series of drag bars, two shafts journaled in the frame of the machine, a series of arms extending from each shaft to which alternate drag bars are pivotally connected, segment gears connected to the said shafts and meshing with one another, an arm extending from one of the shafts, a connecting rod pivoted at one end to the said arm, a notched quadrant rigidly supported by the axle of the machine, a hand lever

pivoted on the said quadrant below the level of the axle, and an arm extending upwardly from the lever to which the other end of the said connecting rod is pivoted, substantially as and for the purpose specified. 16th. In a seeding machine in which independent drag bars are used, a series of drag bars, two shafts journaled in the frame of the machine, a series of arms extending from each shaft to which alternate drag bars are pivotally connected, segment gears connected to the said shafts and meshing with one another, an arm extending from one of the shafts, a connecting rod pivoted at one end to the said arm, a bar extending from end to end of the frame of the machine above the axle, a notched quadrant rigidly secured to the axle and the said bar, a hand lever pivoted on the said quadrant below the level of the axle, and an arm extending upwardly from the lever to which the other end of the said connecting rod is pivoted, substantially as and for the purpose specified. 17th. In a seeding machine, a grass seed distributor comprising a casing and a grooved feed roll journaled therein and fitted so that no seed can escape at the ends of the roll, the casing forming a hopper extending down to feed roll and provided at one side of its lower end with a lip closely fitting the side of the roll, and at its other side with an easy fitting lip extending substantially to or beyond a vertical plane through the axis of the feed roll, the casing being also provided with a discharge opening extending up to the underside of the feed roll, in combination with a shaft fast to the feed roll, and which may be driven to revolve the feed roll towards the upper lip of the hopper, substantially as and for the purpose specified. 18th. In a seeding machine a grass seed distributor comprising a casing, and a grooved feed roll journaled therein, and fitted so that no seed can escape at the ends of the roll, the casing forming a hopper extending down to the feed roll, substantially to one side of a vertical plane through the axis of the feed roll, the casing being also provided with a discharge opening extending up to the underside of the feed roll, in combination with a shaft fast to the feed roll and which may be driven to revolve the feed roll towards the upper lip of the hopper, substantially as and for the purpose specified. 19th. In a seeding machine and in the grass seed distributor thereof, a casing and a cover therefor forming between them a hopper, in combination with a flange formed about the outer edge of an opening in the cover below the hopper, a feed roll ring set within the opening and resting against the said flange, and a downwardly projecting lip formed on the cover at the bottom of the hopper and extending the full width of the same over the upper edge of the said ring, substantially as and for the purpose specified. 20th. In a seeding machine and in the grass seed distributor thereof, a casing and a cover therefor forming between them a hopper and a discharge opening, in combination with a grooved feed roll ring surrounding an opening in the cover below the hopper, a grooved feed roll set within a suitable recess into which open the hopper and discharge opening, and adapted to slide in the said ring, a sleeve engaging the inner end of the feed roll and extending through a closely fitting opening in the casing, a shaft to which the feed roll is secured, a pin through the shaft behind the sleeve, a rib upon the sleeve fitting a notch in the opening in the casing and lying close to the lower edge of the bottom of the hopper, and a rib upon the sleeve fitting a notch in the opening in the casing and extending below the upper edge of the bottom of the hopper, its back being sloped down to the body of the sleeve, substantially as and for the purpose specified. 21st. In a seeding machine a grass seed distributor comprising a casing, and a grooved feed roll journaled therein and fitted so that no seed can escape at the ends of the roll, the casing forming a hopper extending down to the feed roll substantially to one side of a vertical plane through the axis of the feed roll, the casing being also provided with a discharge opening extending up to the under side of the feed roll, and a sight opening behind the feed roll in an outwardly projecting portion of the casing, in combination with a shaft fast to the feed roll which may be driven to revolve the feed roll towards the upper lip of the hopper, substantially as and for the purpose specified. 22nd. In a seeding machine and in the grass seed distributor thereof, a casing and a cover therefor, forming between them a hopper and a discharge opening, in combination with a grooved feed roll ring surrounding an opening in the cover below the hopper, a grooved feed roll adapted to slide within the said ring and set within a suitable recess into which open the hopper and discharge opening, a sleeve engaging the inner end of the feed roll and extending through a closely fitting hole in the casing, a shaft to which the feed roll is secured, a pin through the shaft behind the sleeve, a lip at the bottom of the hopper fitting closely the forward side of the feed roll, an easy fitting lip at the upper portion of the bottom of the hopper extending substantially to or beyond a vertical plane through the axis of the feed roll, a rib upon the aforesaid sleeve fitting a notch in the opening in the casing and lying close to the lip at the lower edge of the bottom of the hopper, and a rib upon the sleeve fitting a notch in the opening in the casing and extending below the lip at the upper edge of the bottom of the hopper, its back being sloped down to the body of the sleeve, substantially as and for the purpose specified. 23rd. In a seeding machine, a fertilizer distributor comprising a frame a circular platform supported thereby and having a discharge opening formed therein, in combination with a feed cup rotatable upon the said platform and having the upper surface of its bottom substantially on a level with the upper surface of the platform, a stationary ring within the upper part of the feed cup, a frame secured to the said ring, a shell covering the said opening in the

platform and having a vertical opening therein extending to the edge of the feed cup, a stem extending upward through the said platform, a gate secured to the said stem and adapted to regulate the size of the aforesaid opening, and means for adjusting the position of the said stem, substantially as and for the purpose specified.

24th. In a seeding machine a fertilizer distributor comprising a frame and a circular platform supported thereby and having a discharge opening formed therein, in combination with a feed cup rotatable upon the said platform and having the upper surface of its bottom substantially on a level with the upper surface of the platform, a stationary ring within the upper part of the feed cup, a frame secured to the said ring, ribs upon the inside of the feed cup, a shell covering the said opening in the platform and having a vertical opening therein extending to the edge of the feed cup, a stem extending upward through the said platform, a gate secured to the said stem and adapted to regulate the size of the aforesaid opening, and means for adjusting the position of the said stem, substantially as and for the purpose specified.

25th. In a seeding machine a fertilizer distributor comprising a frame and a circular platform supported thereby and having a discharge opening formed therein, in combination with a feed cup rotatable upon the said platform and having the upper surface of its bottom substantially on a level with the upper surface of the platform, a stationary ring within the upper part of the feed cup, a frame secured to the said ring, ribs upon the inside of the feed cup, and a shell covering the said opening in the platform and having a vertical opening therein extending to the edge of the feed cup, a stem extending upward through the said platform, a gate secured to the said stem and adapted to regulate the size of the aforesaid opening, a lever rigidly connected to each stem, a connecting rod pivotally connected to all the levers, a graduated index plate connected to the frame of the machine above one of the levers and means for clamping the said lever to the index plate in any desired position, substantially as and for the purpose specified.

27th. In a seeding machine a grain distributor comprising a casing forming a hopper, in combination with a circular elevator journaled on the casing behind the said hopper which is arranged to discharge into the lower part of the elevator, a flange upon the hopper adjacent to the feed wheel at its lower part and forming the mouth of the distributor, a wing extended inwardly from the hopper to the back of the elevator from the hopper discharge opening to the top of the inside of the rim of the elevator, a gear wheel formed on or connected to the back of the elevator, a shaft journaled in the casing at one side of the hopper and a pinion upon the shaft meshing with the said gear, substantially as and for the purpose specified.

28th. In a seeding machine a grain distributor comprising a casing forming a hopper, in combination with a circular elevator journaled on the casing behind the said hopper which is arranged to discharge into the lower part of the elevator, a flange upon the hopper adjacent to the feed wheel at its lower part and forming the mouth of the distributor, a wing extending inwardly from the hopper to the back of the elevator from the hopper discharge opening to the top of the inside of the rim of the elevator, a gear wheel formed on or connected to the back of the elevator, a shaft journaled in the casing at one side of the hopper, a pinion upon the shaft meshing with the said gear, a cut-off adapted to vary the hopper opening, an arm extending outwardly from the cut-off bent forward and pivoted upon the casing, and means for adjusting the position of the said arm, substantially as and for the purpose specified.

29th. In a seeding machine a grain distributor comprising a casing forming a hopper, in combination with a circular elevator journaled on the casing behind the said hopper which is arranged to discharge into the lower part of the elevator, a flange upon the hopper adjacent to the feed wheel at its lower part and forming the mouth of the distributor, a wing extending inwardly from the hopper to the back of the elevator from the hopper discharge opening to the top of the inside of the rim of the elevator, a gear wheel formed on or connected to the back of the elevator, a shaft journaled in the casing at one side of the hopper, a pinion upon the shaft

meshing with the said gear, an arm pivoted upon the casing and extending rearwardly and inwardly within the elevator, a cut-off secured to the said arm having its front side close to the bottom of the aforesaid wing and formed on an arc of a circle struck from the pivot point of the said arm and having its back so curved that the back is always nearer to the rim of the elevator at the point of cut-off than at the point of discharge, and means for adjusting the position of the said arm, substantially as and for the purpose specified.

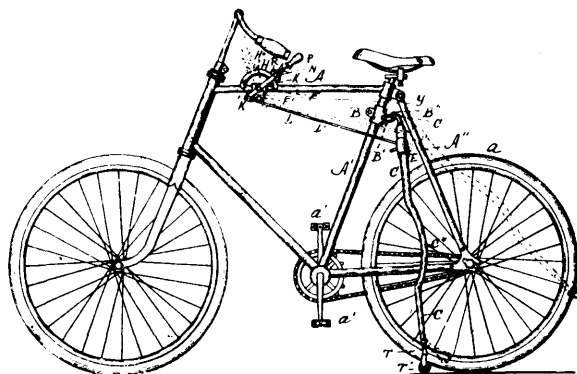
31st. In a seeding machine, a grain distributor comprising a casing forming a hopper, in combination with a circular elevator journaled on the casing behind the said hopper, which is arranged to discharge into the lower part of the elevator, a flange upon the hopper adjacent to the feed wheel at its lower part and forming the mouth of the distributor, a wing extending inwardly from the hopper to the back of the elevator from the hopper discharge opening to the top of the inside of the rim of the elevator, a gear-wheel formed on or connected to the back of the elevator, a shaft journaled in the casing at one side of the hopper, a pinion upon the shaft meshing with the said gear-wheel, a cut-off adapted to vary the hopper opening, an arm extending outwardly from the cut-off bent forward and pivoted upon the casing, a pin upon the said arm, a suitably journaled shaft, a slotted arm upon the shaft engaging with the said pin, an index arm upon the said shaft, a graduated index plate secured to the frame of the machine, and means for clamping the arm to the plate in any desired position, substantially as and for the purpose specified.

32nd. In a seeding machine, a grain distributor comprising a casing forming a hopper, in combination with a circular elevator journaled on the casing behind the said hopper, which is arranged to discharge into the lower part of the elevator, a flange upon the hopper adjacent to the feed-wheel at its lower part and forming the mouth of the distributor, a wing extending inwardly from the hopper to the back of the elevator from the hopper discharge opening to the top of the inside of the rim of the elevator, a gear-wheel formed on or connected to the back of the elevator, a shaft journaled in the casing at one side of the hopper, a pinion upon the shaft meshing with the said gear, and ribs upon the inside of the rim of the elevator having their front faces inclined from the back of the elevator towards the outer edge to cause the grain to pass away freely towards the discharge, substantially as and for the purpose specified.

33rd. In a seeding machine, a grain distributor comprising a casing forming a hopper, in combination with a circular elevator journaled on the casing behind the said hopper, which is arranged to discharge into the lower part of the elevator, a gear-wheel formed on or connected to the back of the elevator, a shaft journaled in the casing at one side of the hopper, and a pinion upon the shaft meshing with the said gear, substantially as and for the purpose specified.

34th. In a seeding machine, a grain distributor comprising a casing forming a hopper, in combination with a circular elevator journaled on the casing behind the said hopper, which is arranged to discharge into the lower part of the elevator, a flange upon the hopper adjacent to the feed-wheel at its lower point and forming the mouth of the distributor, a wing extending inwardly from the hopper to the back of the elevator from the hopper discharge opening to the top of the inside of the rim of the elevator, ribs upon the inside of the rim of the elevator having their front faces inclined from the back of the elevator towards the outer edge to cause the grain to pass freely away towards the discharge, and means for revolving the said elevator, substantially as and for the purpose specified.

No. 61,747. Bicycle Support. (*Support de bicycles.*)

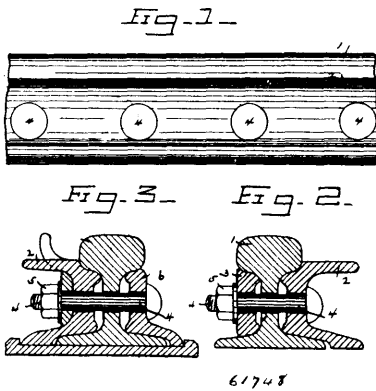


George Hipwood, Boston, Massachusetts, U.S.A., 17th November, 1898; 6 years. (Filed 19th September, 1898.)

Claim.—1st. In a bicycle support, the sustaining rods C pivotally secured at their upper ends to the upper portion of the frame of the bicycle above the driving wheel and substantially under the saddle and adapted when dropped to rest on the ground on opposite sides of the rear-wheel and in front of the point of contact of the rear-wheel with the ground, and being when in such dropped position

substantially vertical, whereby a broad base having the effect of a tripped is provided for sustaining the bicycle, said rods C being provided centrally with the positive rearward curvatures or recesses C¹¹ but being otherwise straight, substantially vertical and extending from the ground to a point well above the driving-wheel, whereby the rods may be well forward without interfering with the feet of the rider upon the pedals, and mechanism secured to the frame of the bicycle within reach of the rider whereby the sustaining rods may be swung rearward and upward, substantially as set forth. 2nd. In a bicycle support, in combination with a bicycle, the clip B rigidly secured to the portion A¹ of the frame, said clip being provided with the rearward extensions B¹ and each said extension being formed with the tubular supports B¹¹ extending oppositely at substantially the upward and rearward angles described, the supporting rods C¹ inward at substantially right angles and with said ends extending into and swinging in said tubular supports B¹¹, and mechanism secured to the frame within reach of the rider whereby the sustaining rods may be swung from a substantially vertical dropped position in front of the axle of the rear-wheel rearward, upward and at inward angles toward said wheel substantially as set forth. 3rd. In a bicycle support, in combination with a bicycle, the clip B secured to the portion A¹ of the frame and provided with rearward extensions B¹, the tubular supports B¹¹ extending outwardly, rearwardly and upwardly therefrom at substantially the angles described, the sustaining rods C swinging in said tubular supports by means of the right-angled upper portions C¹, the jointed lever or brace D pivoted at its opposite ends to and connecting said sustaining rods a handle pivotally connected to the frame of the bicycle within reach of the rider, and rods C connecting said sustaining rods, a handle pivotally connected to the frame of the bicycle within reach of the rider, and rods L connecting said handle with the sustaining rods, whereby the sustaining rods are adapted to be swung from a substantially vertical position on the ground upward, and rearward at inward angles toward the driving-wheel, substantially as set forth. 4th. In a bicycle support, in combination, the sustaining rods C pivotally secured at their upper ends to the frame of the bicycle, the curved or arc-shaped frame H provided with the groove H¹ suitably perforated at h, said frame being secured to the frame of the bicycle within reach of the rider, the lever K pivotally connected with the bicycle frame and set radially with relation to the curved frame H, said lever being provided with the stops or wings N, the handle P pivotally connected at P¹¹ with the lever K and provided at its lower end with the engaging dog P¹, the rocking pawl R pivotally secured to the lever K and adapted to drop into said perforations h, the spring S secured to the handle and bearing upon the pawl, and the rods L connecting the lower end of the lever K with the supporting rods, substantially as set forth. 5th. In a bicycle support, the sustaining rods C pivotally connected at their upper ends with the frame of the bicycle and adapted to be located in a dropped position and swung rearward into a raised position, and castors hinged to the lower ends of said rods and set with the axes of the wheels slightly forward of the pivotal connection between them and said rods, substantially as and for the purpose set forth.

No. 61,748. Rail. (Rail.)



Thomas F. Davies, Duquesne, Pennsylvania, U.S.A., 17th November, 1898; 6 years. (Filed 15th October, 1898.)

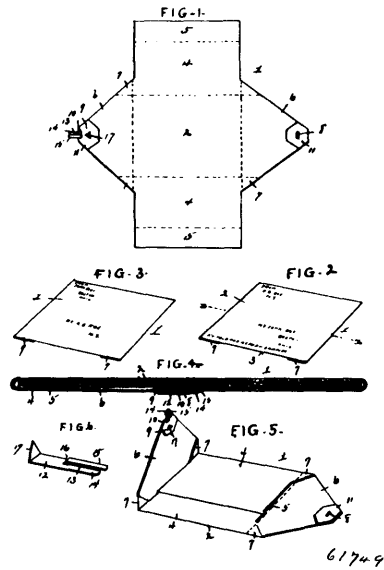
Claim.—The combination with the T-rail of the tram-rail having flanges projecting from one side, one at its top and the other at its bottom, the bottom one adapted to rest upon the flange or base of the T-rail and to project beyond the latter, so as to form an extension in the same plane with the base of the T-rail, and the top flange adapted to rest at its inner edge against the head of said T-rail and slightly below the top thereof, together with means for securing it to said T-rail, substantially as set forth.

No. 61,749. Envelope. (Envelope.)

Edward A. Burlingame, Clayton, New York, U.S.A., 17th November, 1898; 6 years. (Filed 15th October, 1898.)

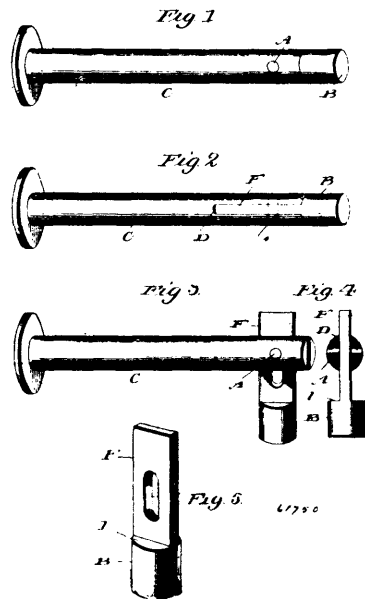
Claim.—A reversible envelope having a body with the return address printed on one side and a sending address applied to the

opposite side together with the sender's name and residence, and formed with integral side flaps having outer folding portions adapted



to interlock with each other when the said side flaps are turned over the body, end flaps connected to the said body and the side flaps by triangular corner folds which are bent upon each other and in part lie over the side when the latter are closed against the body, one of the end folds by its outer end being slotted and a fastener carried by the opposite end fold having a pair of legs adapted to alternately engage the slot in the opposite end fold when the parts of the envelope are reversed, substantially as described.

No. 61,750. Bolt. (Boulon.)

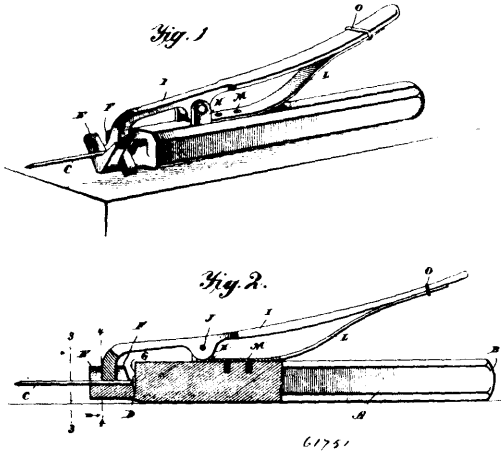


Thomas Pitkin Russell, Marquand, Missouri, U.S.A., 17th November, 1898; 6 years. (Filed 17th October, 1898.)

Claim.—A bolt formed with a mortise at one end, in combination with a locking-key having a tang and a head on the outer end of the tang, tang being pivotally secured in the mortise by a pivot-pin passed through a slot in the tang, and the head being adapted to bear normally against the ends of the mortise walls, the tang being shorter than the walls of the mortise, and the slot in the tang being of such length that its ends will not contact with the pivot-pin in the normal position of the key, substantially as described.

No. 61,751. Nail Holder and Starter.

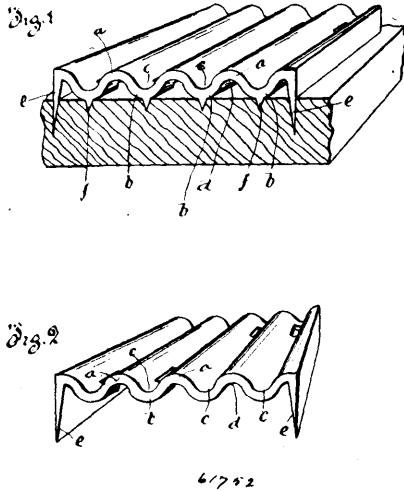
(Machine pour tenir et enfoncer les clous.)



Leonard W. Dexter, San Jose, California, U.S.A., 17th November, 1898; 6 years. (Filed 17th October, 1898.)

Claim.—The nail-holder and starter herein described, consisting of the punch or body A, provided with lugs H and at its forward end with the jaws E E and F F, extending laterally and upwardly and having between them a seat for the nail body, a seat for the head of the nail being formed between the jaws F F and the main body of the punch, in combination with the arm I, pivoted at J between the lugs H and carrying at its forward end the jaws K K, extending downwardly and laterally and adapted to pass between the jaws E E and the jaws F F, and the spring L secured to the punch and bearing upwardly against the long end of the arm I to normally hold its forward end down in contact with the nail, substantially as described.

No. 61,752. Tie Plate. (Tirant.)



Frank Elden Cane, Montreal, Quebec, Canada, 17th November, 1898; 6 years. (Filed 20th October, 1898.)

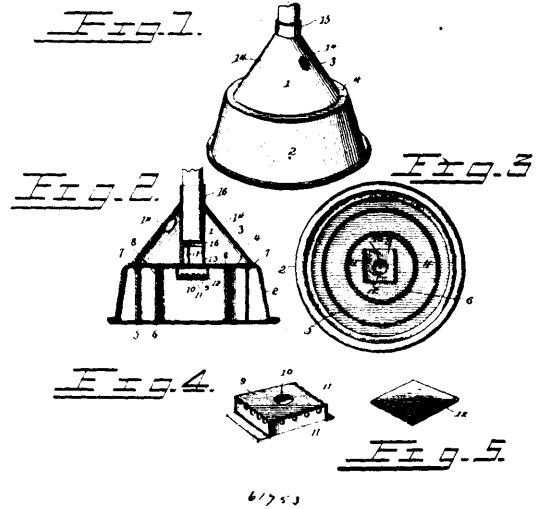
Claim.—1st. A tie-plate having a corrugated body and downwardly projecting abutment flanges along its side edges, as shown and described. 2nd. A tie-plate having its body corrugated to present upper ribs a and recesses c, lower ribs b and recesses d, auxiliary ribs f, projecting from the lower ribs and abutment flanges c along its side edges, as shown and described.

No. 61,753. Clothes Pounder. (Pilon à linge.)

Andrew Jackson Ziegler, and Jacob Benner Ziegler, both of Hazleton, Pennsylvania, U.S.A., 17th November, 1898; 6 years. (Filed 17th October, 1898.)

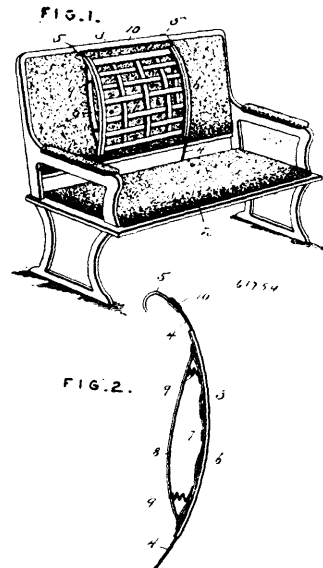
Claim.—1st. A clothes pounder comprising a lower casing, having spaces or compartments communicating with one another, said casing being provided with a central opening, a valve casing or box depending from the centre of the casing and composed of a horizontal bottom and vertical sides of walls and provided with a central opening and having a series of perforations at its sides, a valve arranged within the valve casing and adapted to cover the opening of the

lower casing, and an upper shell mounted on the lower casing adapted to support a handle and provided with an opening, substantially as



described. 2nd. A clothes pounder comprising a cylindrical casing, concentric rings arranged within the cylindrical casing and provided with openings, a rectangular box or valve casing composed of a horizontal bottom and vertical sides or walls and secured to the top of the cylindrical casing at an opening thereof and provided with a bottom opening, and having perforations at its sides, a valve arranged within the box or casing, a conical shell mounted upon the cylindrical casing and provided with openings, and a tube mounted within the conical shell to form a socket, and provided at its lower portion with openings and closed above the same, substantially as described.

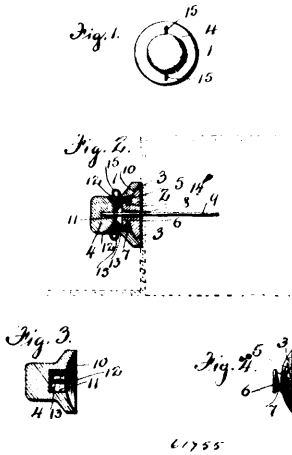
No. 61,754. Back Rest. (Appui-dos.)



Jennie Frew-West, Glenwood, Florida, U.S.A., 17th November, 1898; 6 years. (Filed 17th October, 1898.)

Claim.—In a removable, ventilating back-rest, the combination with the U-shaped frame or yoke having integral hooks on the ends of its arms for engaging the back of the seat, of the ventilating back-rest frame proper secured to said yoke, a ventilating cover on said back-rest frame, spring strips substantially parallel with the yoke arms and secured at their ends to the back-rest frame, and springs interposed between said strips and back-rest frame for holding the latter normally away from said strips intermediate their ends, and thereby from the seat to which the back-rest is applied, substantially as described.

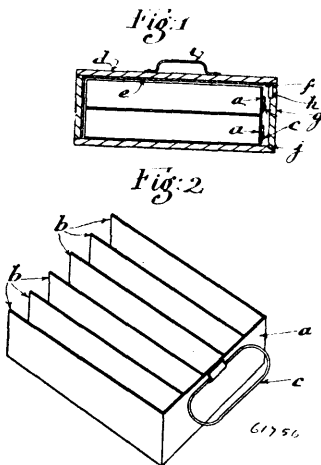
No. 61,755. Self Locking Hat Pin. (*Épingle à chapeau.*)



James Johnston, Robert Johnson and Joseph McQueen, all of Miami, Manitoba, Canada, 17th November, 1898; 6 years. (Filed 19th October, 1898.)

Claim.—1st. A hat pin comprising a section secured to the hat, and a section having a securing pin detachably connected to said secured section. 2nd. A hat pin, comprising a section secured to the hat, a removable section having the securing pin adapted to co-act with said secured section, and means for holding said sections in operative connection. 3rd. A hat pin, comprising a section secured to the hat, a removable section having the securing pin adapted to co-act with said secured section, and a plurality of catch levers, mounted on said removable section, and adapted to be placed into and out of an operative connection with said secured section.

No. 61,756. Butter Box. (*Boîte à beurre.*)



Frederick William Wateridge, Marche Hall, near Shrewsbury, 1898; 6 years. (Filed 17th October, 1898.)

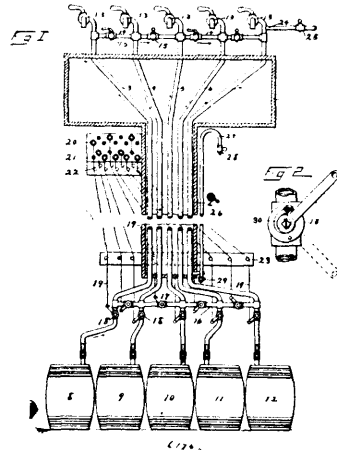
Claim.—1st. A transit box for butter and other commodities substantially as described and illustrated herein. 2nd. In transit boxes in combination, one of more trays divided into the required number of compartments by means of partitions, said trays being superposed in a suitable box or casing, said box or casing having a hinged lid provided with a lock, a bent plate adapted to prevent the contents of the trays especially at the ends and top from coming into contact with the box or casing, said plate being maintained in position by means of a clip, substantially as described and illustrated herein.

No. 61,757. Beer Distributing Machine.
(*Machine à distribuer la bière.*)

Edward D. Case, Flint, Michigan, U.S.A., 17th November, 1898; 6 years. (Filed 20th October, 1898.)

Claim.—1st. A distributing apparatus for beer or the like, comprising an ice-chest, a water-container extended downward

therefrom, a series of pipes extended through said ice-chest as water-cooler, valve-controlled connections between the several pipe,



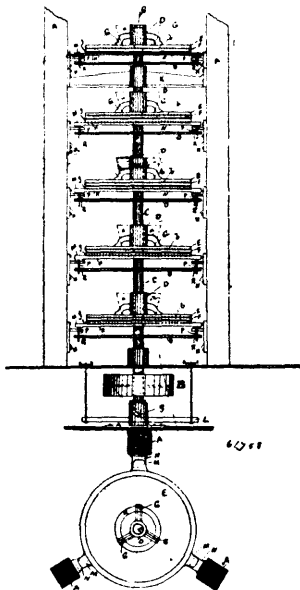
above the ice-chest, valve-controlled connections between the several pipes at their lower portions, a valve in each pipe below the said valves at the lower portions of the pipes, and opening lines or wires extended from these several lower valves to the key-board located adjacent to the ice-chest, substantially as specified. 2nd. A distributing apparatus for beer and the like, comprising an ice-chest, a water holder or container extended downward therefrom, a pipe leading from the lower end of said water holder or chamber and extended upward to near its top where it is provided with an outlet, a series of pipes extended through the ice-chest and also through the water holder or container and adapted for connection at the lower ends with barrels, each of said pipes having a faucet at its upper end, valve-controlled connections between the several pipes above the ice chamber, valve controlled connections below the several pipes below the water holder or container, cords or wires extended from these last named valves to a point adjacent to the ice-chest, valves in the pipes below the last named valves and having cords or wires extended upward to a point adjacent to the ice-chest, and a valve controlled water-pipe leading into one of the distributing pipes, substantially as specified. 3rd. A distributing apparatus for beer and the like, comprising a series of pipes, a refrigerating means through which such pipes extend, connections between said pipes above the refrigerating means, connections between the pipes below said refrigerating means, dispensing devices, means for connection with the barrels or other source of supply and independent valves controlling the connections between the pipes, whereby the pipes may be made independent and may be connected for circulation, substantially as described. 4th. In a distributing apparatus, the combination with a chamber or cooler, of a plurality of pipes extending through the same, valve-controlled connections between the said pipes on opposite sides of said chamber or cooler, whereby the liquid may be caused to circulate back and forth through the said chamber or cooler, individual connections for each of such pipes with the sources of supply and individual dispensing devices for such pipes, substantially as described. 5th. A distributing apparatus for beer or the like, comprising a cooler, a series of pipes extending through said cooler pipe connections between said pipes above the cooler, pipe connections between the pipes below the cooler, a keyboard connection between the same and the said lower connections and independent valves controlling the pipe connections, whereby the pipes may be made independent and may be connected for circulation, supply and dispensing connections, substantially as described. 6th. A liquid-distributing apparatus comprising a series of dispensing-pipes adapted for connection, each with a separate supply vessel, a plurality of cross connections between the pipes, and independent valves controlling the cross connections between the pipes, whereby liquid may be drawn from either one of several of the supply vessels through either of the pipes, or may be caused to circulate back and forth between the cross connections, substantially as specified.

No. 61,758. Huller for Oats and Rice.
(*Machine à éplucher l'avoine et le riz.*)

Arthur A. Bowen, Kemptville, Grenville, Ontario, Canada, 17th November, 1898; 6 years. (Filed 21st October, 1898.)

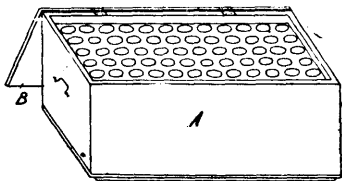
Claim.—1st. The combination of cast iron discs FE, and HII, faced with emery or corundum FF, and II, substantially as and for

the purpose hereinbefore set forth. 2nd. The combination of the supports AAA, the stones EE, the shafts E, the



brackets NN, and K, pot S, with step L, the adjusting screws PPP, and sprocket wheels RR, with connecting chain OO, the curbs AA, and the bonding pins VV, substantially as and for the purpose hereinbefore set forth.

No. 61,759. Egg Case. (Boîte à œufs.)



Josef Motz, Lettowitz, Austria, 17th November, 1898; 6 years. (Filed 21st October, 1898.)

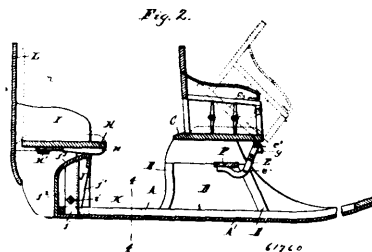
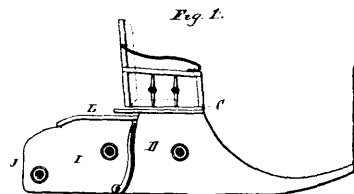
Claim.—In a case for carrying and preserving eggs, the combination with the case proper, the shelves or trays provided with suitably shaped and sized perforations to receive the eggs, and pins to secure the spacing or distance between the shelves or trays, the arrangement of said perforations in two successive trays being such that the perforations of one tray or shelf are opposite to the solid parts of the other shelf or tray and the empty spaces between the different shelves or trays and the bottom and the top of the case being filled up with straw, bran or other suitable material to protect the eggs from the contact with air and to facilitate their preservation, substantially as described.

No. 61,760. Vehicle Seat. (Siège de voiture.)

Charles H. Stratton, Buffalo, New York, U.S.A., 17th November, 1898; 6 years. (Filed 28th October, 1898.)

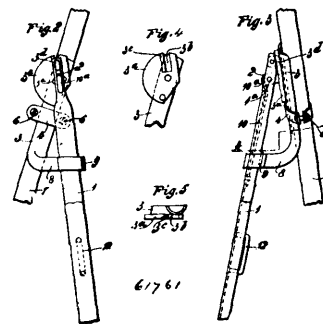
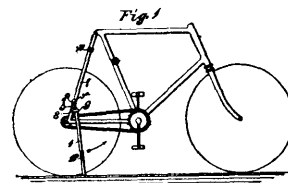
Claim.—1st. The combination, with the front seat of the vehicle and the stationary front panels of the body terminating near the rear edge of the front seat, forming side entrances in rear of said seat, of a stationary upright rear frame rising from the rear end of the body, and provided at its top with a deck portion, a rear seat provided with side panels pivoted at their lower rear ends to opposite sides of said stationary rear frame, and adapted to close against the rear edges of said fixed panels when lowered, and a back for the rear seat attached to said pivoted panels, terminating at a distance from the rear or lower ends of said pivoted panels and forming a continuation of the deck portion of said stationary rear frame when folded or lowered, substantially as set forth. 2nd. The combination with the front seat of the vehicle and the stationary front panels of the body terminating near the rear edge of the front seat, forming side entrances in rear of said seat, a rear seat provided with side panels pivoted at or near their rear ends to the rear portion of the vehicle body and arranged to close against the rear edges of said stationary panels when lowered, said seat being pivotally connected with its side panels, a back for the rear seat rigidly secured to said pivoted panels, extending above and below said seat, and forming a deck for the vehicle body when lowered, and a stationary frame

rising from the rear end of the body and carrying a deck portion which forms a continuation of said back when the latter is lowered,



and supports the front portion of the rear seat when said back is unfolded to its normal position, substantially as set forth. 3rd. In a convertible vehicle, the combination with a front seat capable of moving backward and forward on its supports, of an upright lever fulcrumed on the seat supports and having its upper arm pivoted to the front portion of the seat and adapted to engage with its lower arm against a stationary portion of the vehicle body for limiting the forward movement of the seat, substantially as set forth. 4th. In a convertible vehicle, the combination with a front seat capable of moving backward and forward on its supports or standards, and a cross-bar connecting said supports, of upright levers fulcrumed on the seat supports in front of and below said cross-bar, and having their upper arms pivoted to the front edge of the seat and adapted to engage with their lower arms against said cross-bar, substantially as set forth.

No. 61,761. Bicycle Support. (Support de bicycles.)

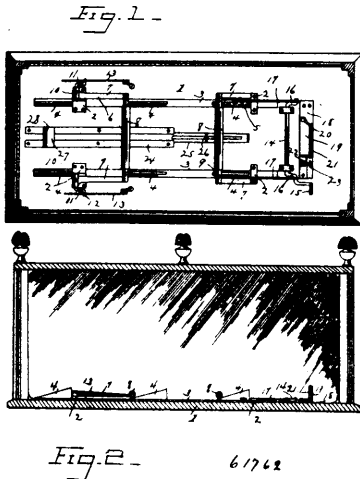


George Wesley Newson and John Porter Harris, 54 Lambton Quay, Wellington, New Zealand, 17th November, 1898; 6 years. (Filed 27th October, 1898.)

Claim.—1st. A support for bicycle comprising in combination an arm pivoted to a bracket by means of a swivelling stud said bracket being secured to the frame of the bicycle and furnished with a catch for retaining the arm, substantially as and for the purposes set forth herein. 2nd. A support for bicycles comprising in combination an arm pivoted to a bracket by means of a swivelling stud said bracket being secured to the frame of the bicycle and furnished with a catch for retaining the arm and a spring within the arm operating upon the flat head of the swivelling stud, substantially as and for the purposes set forth herein. 3rd. A support for bicycles comprising in combination an arm pivoted to a disc and bracket by means of a

swivelling stud said disc and bracket being secured to the frame of the bicycle and said bracket being furnished with a catch for retaining the arm a spring within the arm operating upon the flat head of the swivelling stud a block upon the end of the arm and a slot in the disc, substantially as and for the purposes set forth herein. 4th. A support for bicycles comprising in combination an arm pivoted to a bracket by means of a swivelling stud said bracket being secured to the frame of the bicycle and furnished with a catch for retaining the arm and a clip for holding the arm when not in use, substantially as and for the purposes set forth herein. 5th. A clip for holding the arm of a bicycle support comprising a loop for securing the same to frame of the machine and having its end extended, split, and shaped to grip a loop upon the arm, substantially as and for the purposes set forth herein.

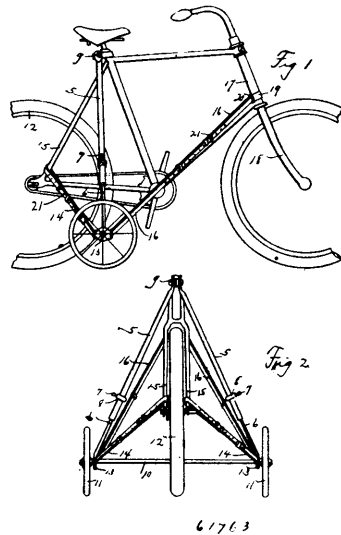
No. 61,762. Hearse. (Corbillard.)



Milton M. Guiley, Hartville, Ohio, U.S.A., 17th November, 1898; 6 years. (Filed 2nd November, 1898.)

Claim.—1st. The combination with the floor of a hearse, of casket-clamps secured thereto, casket-rollers extending transversely across the floor of the hearse and having movement toward and away from said floor, parallel arms pivotally connected to the floor and carrying said roller slides having wedge-blocks adapted for raising and lowering said rollers, and means for moving the slides. 2nd. The combination with the floor of a hearse, of a swinging frame connected thereto adapted to be depressed forwardly or rearwardly and having a casket-roller, a second frame having a casket-roller which is movable toward and away from the said floor, and means for simultaneously raising said frames in relation to the floor and casket-clamps. 3rd. The combination with the floor of a hearse, of a swinging frame connected thereto adapted to be depressed forwardly or rearwardly and having a casket-roller, a second frame having a casket-roller which is movable toward and away from the said floor, slidable bars or rods having wedges arranged in sets adapted to engage with the frames and raise the same, means for moving said rods, and head and foot casket-clamps. 4th. The combination with the floor of the hearse, of casket-rollers movable toward and away therefrom, arms carrying said rollers and provided with cranks, spring-bars secured to the floor and bearing upon said cranks adapted to keep said rollers normally urged toward the floor, means for raising the rollers, and casket-clamps. 5th. The combination with the floor of a hearse, of a foot-frame journaled thereto and adapted to swing forwardly and rearwardly, said frame having cranks and a casket-roller, springs bearing upon the cranks and adapted to hold the roller and frame normally adjacent the floor, a head-frame having inherently-resilient arms connected to the floor, and a casket-roller journaled in said arms, and means for raising said frames, and casket-clamps. 6th. The combination with the floor of a hearse, of a foot-frame journaled thereto and adapted to swing forwardly and rearwardly, said frame having cranks and a casket-roller, springs bearing upon the cranks and adapted to hold the frame and rollers normally adjacent to the floor, a head-frame having inherently-resilient arms connected to the floor, a casket-roller journaled in said arms, and a slide-rods having wedges adapted to engage with the frames to simultaneously raise the same, a crank-shaft and connecting-rods extending from the same to the slide-rods. 7th. The combination with the floor of a hearse, or a head casket-clamp secured thereto, a foot casket-clamp independently adjustable toward and away from the head-clamp, and means for securing the foot-clamp independently of the head-clamp at any point. 8th. The combination with the floor of a hearse, of a foot-casket-clamp adjustable longitudinally thereof, a swinging head casket-clamp, and a spring-catch for securing said head casket-clamp.

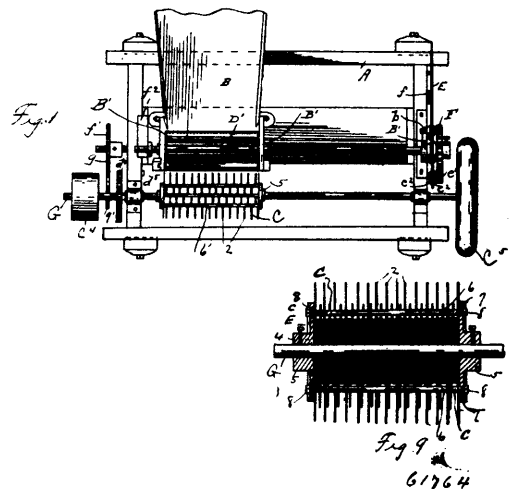
No. 61,763. Bicycle Support. (Support de bicyclet.)



George Solomon Thurston, Santa Rosa, California, U.S.A., 17th November, 1898; 6 years. (Filed 2nd November, 1898.)

Claim.—1st. The combination with the upper rear portion of the frame or saddle-post of a bicycle, of tubular supports connected therewith, and projecting downwardly and outwardly, adjustable rods mounted in the lower ends of said supports, a shaft mounted in the lower ends of said rods, and provided with wheels at its opposite ends and flexible and adjustable straps connecting each end of said shaft with the forward and rear portions of the frame of the bicycle, substantially as shown and described. 2nd. The herein described support, for bicycles comprising two tubes secured to the frame or saddle-post beneath the seat, rods telescopically mounted therein, an axle extending transversely of the bicycle in front of the rear-wheel, small wheels mounted upon the outer end of said axle, said telescopic rod being connected with said axle by means of circular heads and straps connected with each of said heads and with the corresponding side of the rear fork of the frame and a second strap secured to each of said heads and to an attachment mounted on the forward end of the frame said straps being adjustable, substantially as and for the purpose described.

No. 61,764. Fodder Shredder. (Machine à couper le fourrage.)



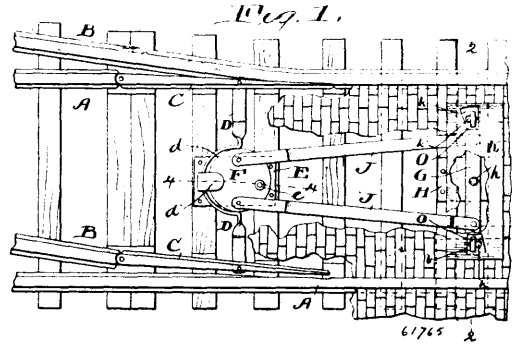
John K. Wilder, Monroe, Michigan, U.S.A., 18th November 1898; 6 years. (Filed 31st October, 1898.)

Claim.—1st. In a fodder shredder, a feed mechanism comprising a pair of rollers whose peripheries are revolved at different speeds, a lower feed roller being supported in a suitable frame, and having on the outer end of its shaft a gear which, with the roller and the shaft, remains at all times in the same position, and the upper feed roller and shaft being suitably mounted and guided at its ends on said frame, and having a gear on the outer end of its shaft, which, with the rollers and shaft is movable up and down, and is adapted to be revolved either way, backward and forward, and an adjusting lever means for holding it in a fixed position, said lever having the oute

end of the shaft rotably connected to it, and an intermediate adjustable gear suitably located and supported in relation to the gears of the two feed rollers, so as to be always engaged with the gear of the lower feed roller, and is connected to the lever, so as to be operated by it to affect either the forward or backward feed of the machine, substantially as described. 2nd. In a fodder shredder, the combination of a suitable supporting frame and feed box, feed rollers, one of said rollers being capable of vertical movement, and having a gear-wheel mounted upon its shaft, a pivoted lever carrying one end of said shaft, and adapted to move the same vertically, a pivoted arm, a link connecting said arm to said lever, two pinion gears, one of which is mounted upon said pivoted arm, and adapted to respectively engage the gear-wheel on the shaft according to the position of the pivoted lever and the gear-wheel on said shaft, and thereby turn the roller having the gear-wheel either backward or forward, a shredder-head provided with cutting teeth, and means for actuating said roller and shredder-head, substantially as described. 3rd. A fodder shredder, comprising a differentiating feed and reversing mechanism, and having a shredder-head, cutting teeth having their opposite ends provided with cutting edges, means for separating said cutting teeth, whereby their spacing may be increased or decreased to produce fine or coarse results when desired, and means for removably securing said teeth together, substantially as described. 4th. In a fodder shudder, the combination with a suitable supporting frame and feed box, of an operating shaft d^1 carrying an upper ribbed feed roller at one of its ends, and provided with a gear-wheel F , a shaft d , carrying a feed roller of less diameter than that of the upper feed roller, and provided at one of its ends with a spur gear-wheel d^2 , a pivoted lever adapted to move the shaft d^1 vertically, and carrying at its outer end a link e^2 , a link e , loosely mounted upon said shaft connected to the link e^2 and carrying a spur gear-wheel e^1 , a shredder-head consisting of cutting teeth and dividing washers, and means for operating the rollers and shredder-head simultaneously and one of the rollers may be stopped entirely or reversed without interfering with the driving mechanism of the machine, substantially as described. 5th. In a fodder shredder, the combination with a suitable supporting frame and feed box, of an upper feed roller mounted upon a shaft, said shaft carrying a gear-wheel at its outer end, a lower roller and shaft, the latter carrying a gear-wheel at its outer end, which is adapted to mesh with the gear of the upper shaft, whereby the rollers are revolved at different speeds, and the shredder-head, substantially as described. 6th. In a fodder-shredder, the combination of an upper feed roller mounted upon a shaft, said shaft carrying a gear-wheel at its outer end, a lower feed roller and shaft, the latter carrying at its outer end a fixed gear-wheel, which is adapted to mesh with the gear on the upper shaft by having the latter brought into mesh with it, a pivoted lever secured to the upper shaft adapted to adjust an interposed gear, which is at all times in permanent mesh with the gear on the roller shaft, means for supporting the interposed gear, and means for connecting it with the operating lever, the construction and operation being such that the upper shaft and the gear carried thereby, and the interposed gear are raised and lowered by the operating lever, while the gear on the lower shaft always remains fixed, substantially as described. 7th. A shredder-head composed of independent teeth, spacing-washers interposed between said teeth, means for holding the said teeth in position by said pressure, bolts arranged longitudinally of the shredder-head between the said teeth and engaging their edges to hold them in place, the said washers being entirely within the said bolts but not engaging them, the said bolts also engaging the said holding means for binding the parts together, substantially as described. 8th. A shredder-head composed of independent teeth mounted upon a central shaft, means for holding the said teeth in position by side pressure and bolts passing between the teeth for holding them at the proper angle with relation to each other and adapted to engage said side holding means for binding the parts together, substantially as described. 9th. A shredder-head composed of independent removable teeth, washers for holding the teeth in place by end pressure, bolts adapted to pass between the teeth and engage the edges thereof for holding them in proper place, said bolts also engaging the end washers for binding the parts together, substantially as described. 10th. A shredder-head composed of independent teeth, spacing-washers interposed between said teeth, means for binding said teeth and washers together for forming the said shredder-head, and bolts adapted to pass between the teeth and engage the edges thereof for holding them in proper place, substantially as described. 11th. A shredder-head comprising independent teeth, said teeth being adapted to be mounted upon a shaft, binding washers at the opposite ends of the head, bolts arranged longitudinally of the head for drawing the binding-washers together and engaging the edges of the teeth between the same for holding the said teeth in proper position, and means for securing the washers to the shaft to prevent the same from being turned thereon, substantially as described. 12th. A shredder-head composed of teeth provided with central apertures adapted to engage a suitable shaft, said teeth being arranged alternately at different angles, washers for inclosing said teeth upon each end of the head, bolts passing between said teeth and engaging their edges for holding them at the desired angles, the said bolts also engaging the binding-washers for holding the parts together, substantially as described. 13th. In a shredder-head, the combination with a suitable shaft, of independent cutting teeth provided with apertures for

engaging said shaft, the said teeth being arranged at different angles alternately, washers for inclosing the said teeth upon said shaft, bolts passing between the edges of the teeth and adapted to hold the same at the proper angle, said bolts being threaded at their ends and adapted to pass through apertures in the said washers, nuts for engaging the ends of the bolts to draw the washers toward each other, and spacing-washers interposed between the teeth, substantially as described.

No. 61,765. Railway Switch. (*Aiguille de chemin de fer.*)



Jonathan E. Young and George Morden, both of Conneaut, Ohio, U.S.A., 18th November, 1898; 6 years. (Filed 25th October, 1898.)

Claim.—1st. In a switch operating mechanism, the combination with a pair of switch tongues, of a yoke bar connecting the same, said bar being bowed intermediate of its ends, a pivoted oscillating member extending within said bow and adapted in its oscillations to move the yoke bar in one direction or the other, a pivoted lever G located in advance of the switch points, and a pair of links J, J connecting the lever on either side of its pivot with the oscillating member, substantially as described. 2nd. In a switch operating mechanism, in combination, a lever G suitably pivoted on a vertical pivot substantially at its centre, a plate K above said lever, a pair of depressions k in said plate, a slot k^1 in the base of each depression, a tripping pin extending through said slot and connecting at its lower end with said lever, and springs normally pressing said pins above the plane of the upper surface of the plate K , but allowing them to be depressed into the recesses in that plate, and mechanism connecting said lever with a suitable switch point, whereby the movement of the lever may operate to shift the switch, substantially as described. 3rd. In a switch operating mechanism, the combination with a track and a switch point therefor, of a lever G pivoted at substantially its centre on a vertical pivot below the plane of the track, a stationary plate K above said lever, a pair of depressions k in said plate over the ends of the lever, a slot k^1 in the base of each depression, a pair of T-shaped pins having square shanks, each shank extending through one of the slots and having its lower end in a square hole in said lever, a spring surrounding each shank and bearing at its lower end against the lever and at its upper end against the T-head of the pin and thus operating to normally press the pins above the upper surface of the plate K , but allowing said pins to be depressed into the recesses, and mechanism connecting said lever G with the switch point, whereby the movement of the lever may operate the switch, substantially as described. 4th. The combination with a truck frame and car body of a car, of a bracket N secured to a cross-bar of the truck frame, said bracket having the projecting arms n, n^1 , a vertical bar P passing through said arms, a spring surrounding the bar and bearing at its lower end against the lower arm of the bracket and at its upper end against a projection carried by the bar whereby the spring tends to elevate the bar, a foot lever carried by the body of the car, and a flexible connection between said foot lever and the bar P , whereby the depression of the foot lever depresses the bar but the bar is independent of the individual movement of the car body, substantially as described.

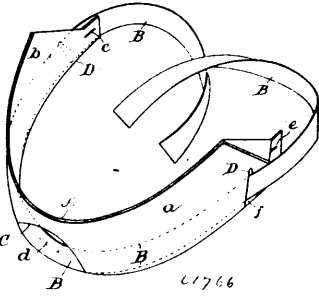
No. 61,766. Collar and Tie Holder.

(*Porte-collet et cravate.*)

Matthew B. Kendrick, Newport, Kentucky, U.S.A., 18th November, 1898; 6 years. (Filed 27th October, 1898.)

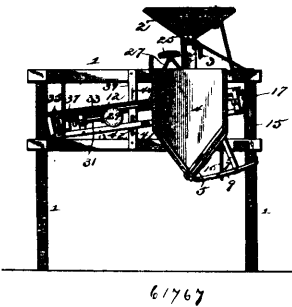
Claim.—1st. The herein-described collar, consisting of the inner and outer portions, and the intermediate lining portion folded longitudinally and stitched at one bottom edge to the inner portion and at the other bottom edge to the outer portion, said outer portion and its lining having a slit near each end thereof and being stitched to said inner portion between said slit and the adjacent end thereof

and having the cut-away portion at the back or longitudinal centre, said part which is cut out being stitched to said inner portion and



its lining as a reinforcement, said inner portion and its lining being stitched together at the fold of said lining, substantially as shown and described.

No. 61,767. Grain Weigher. (Balance à grain.)



Angus McLeod and John H. McLeod, both of Marietta, Kansas, U.S.A., 18th November, 1898; 6 years. (Filed 2nd August, 1898.)

Claim.—1st. In a grain-motor, the combination, with a pivoted and weighted bucket-frame, of a grain-bucket pivoted to the frame, a gate for said bucket, a toggle-lever having one of its members connected to the gate and its other member pivoted to the bucket, a flexible connection between the pivoted member and the bucket-frame, and a bracket for breaking the knee of the toggle-lever when the bucket descends. 2nd. In a grain-motor, the combination, with a pivoted bucket-frame, of a grain-bucket connected thereto, a weight for the frame, bars provided with guide-slots, a spring having one end fixed, and a lifting-bracket which is slidable in the slots and to which the other ends of the springs are connected, said lifting-bracket engaging with the frame and being adapted to assist the same in rising when the bucket descends to discharge its grain. 3rd. In a grain-motor, the combination, with a pivoted bucket-frame, of adjustable weights therefor, rollers movable in the frame and adapted to shift their positions when the same is raised or lowered, a grain-bucket pivoted to the frame, cut-off mechanism, a gate for said bucket, a toggle-lever having one member connected to the gate and the other member pivoted to the bucket, a connection between the pivoted member of the toggle-lever and the bucket-frame, and means for breaking the knee of the toggle-lever.

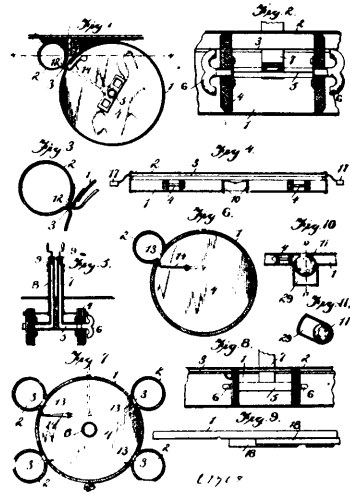
No. 61,768. Pneumatic Railway System.

(Système pneumatique de chemin de fer.)

Charles Comstock, Richmond, Virginia, U.S.A., 18th November, 1898; 6 years. (Filed 29th October, 1898.)

Claim.—1st. A pneumatic railway system comprising a propelling tube, an auxiliary tube extending parallel therewith and capable of having communication with the propelling tube throughout the length of the auxiliary tube, a piston within the propelling tube, and a member moved by the piston and adapted to effect communication between the two tubes in advance of the piston, substantially as described. 2nd. A pneumatic railway system comprising a propelling tube, an auxiliary tube extending parallel therewith, the two tubes having a registering longitudinal opening forming communication between them, and a flexible closing means for said opening, substantially as described. 3d. A pneumatic railway system comprising a propelling tube, an auxiliary tube extending longitudinally of the same, the two tubes having registering longitudinal openings, a movable member or members closing the said openings, and the propelling tube having a longitudinal opening independent of the auxiliary tube for the propelling member, substantially as described. 4th. A pneumatic railway system comprising a propelling tube, an auxiliary tube extending parallel therewith the tubes having a longitudinal communication, a movable member or members closing said longitudinal communication, a piston placed in and adapted to

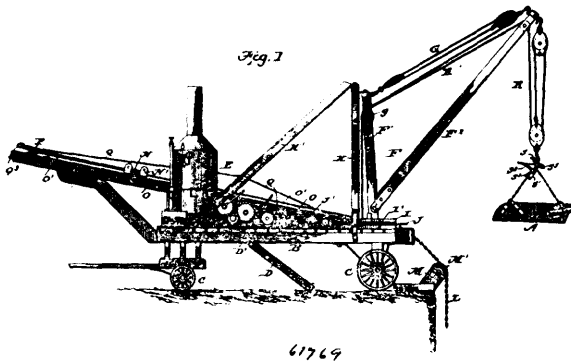
travel in said propelling tube, the piston having a member which engages and moves the closing member in advance of the piston to



effect a communication between the tubes, and a pump connected with the auxiliary tube, substantially as described. 5th. A pneumatic railway system comprising a propelling tube, an auxiliary tube extending parallel therewith the tubes having longitudinal openings forming communication between them, a movable member closing said openings, a piston within and adapted to travel in said propelling tube, means in advance of the piston for effecting communication between the two tubes, and a pump connected with said auxiliary tube for exhausting the air therefrom, substantially as described. 6th. A pneumatic railway system comprising a propelling tube, an auxiliary tube extending longitudinally thereof, the tubes having a longitudinal opening effecting communication between them, a closing member or members for said openings, a piston adapted to fit and travel within said propelling tube, a pump connected with the auxiliary tube, for withdrawing the air therefrom, means in advance of the piston for effecting communication between the two tubes just in advance of the piston, and communication between the atmosphere and the propelling tube in the rear of the piston, substantially as described. 7th. A pneumatic railway system comprising a propelling tube, an auxiliary tube extending longitudinally of the propelling tube, means for closing the said tubes, a piston travelling within said propelling tube, a member travelling in advance of the piston and effecting communication between the said tubes in advance of the piston, a communication between the atmosphere and the propelling tube in rear of the piston, and a controlling member for the atmospheric communication, substantially as described. 8th. A pneumatic railway system comprising a propelling tube, an auxiliary tube extending parallel therewith, a longitudinal opening in said tubes effecting a communication between them, means for closing said opening, a pump connected with the auxiliary tube, a member in advance of and effecting a communication between the atmosphere and the propelling tube in advance of the piston, and a communication between the atmosphere and the propelling tube in rear of the piston and delivering air directly against the rear end thereof, substantially as described. 9th. A pneumatic railway system comprising a propelling tube, an auxiliary tube extending parallel with the same, an opening effecting communication between the tubes, a pump connected with the auxiliary tube to exhaust the air therefrom, a piston, means in advance of the piston for effecting a communication between the tubes in advance of said piston, and a communication between the atmosphere and the propelling tube in the rear of the piston, substantially as described. 10th. An atmospheric railway system comprising a propelling tube, an auxiliary tube extending parallel therewith a longitudinal communication between said tubes, a closing member for said opening, a means in advance of the piston for effecting communication to the tubes in advance of said piston, an atmospheric communication between the atmosphere and the propelling tube in front of the piston, for the purpose described. 11th. A pneumatic railway system comprising a propelling tube, an auxiliary tube extending parallel with the same, a longitudinal communication between the tubes, a member for closing said opening, a means for effecting communication between the atmosphere and the propelling tube both ahead of and behind the piston, substantially as described. 12th. A pneumatic railway system comprising a propelling tube, an auxiliary tube extending parallel therewith, a longitudinal opening for said tube, means for closing said opening, a member in advance of the piston effecting a communication between said tubes, and means for closing the opening before it is reached by the rear end of the piston, substantially as described. 13th. A pneumatic railway system comprising a propelling tube, an auxiliary tube extending parallel with the same, a longitudinal opening between said tubes, a movable member closing said opening

a means within the tubes for effecting a communication between said tubes, and a pump connected with an auxiliary tube, substantially as described. 14th. A pneumatic railway system comprising a propelling tube, an auxiliary tube having communication therewith, a member for closing the communication, and a movable means carried by the piston for opening the closing means at the will of the driver, substantially as described. 15th. A railway system, comprising a propelling tube, an auxiliary tube extending parallel therewith, and having a longitudinal communication in the propelling tube throughout its length, the piston within the propelling tube, a movable member closing the communication between the tubes, and movable members situated respectively in front and in the rear of the piston for engaging the closing members and effecting communication between the tubes, and means for operating the movable members, for the purpose described. 16th. A pneumatic railway system, comprising a propelling tube, an auxiliary tube, a longitudinal communication between the said tubes, a closing member for the communication, a piston situated within the propelling tube, a communication at each end of the piston with the atmosphere, and means for controlling the said communication, and movable members carried by opposite ends of the piston for acting upon the closing member in front and in rear of the piston, the parts co-operating, substantially as and for the purpose described. 17th. A pneumatic railway system, comprising a propelling tube, formed into a series of sections, closing members for adjacent ends of the sections, and a piston adapted by contact with the closing members to open them as it moves in the propelling tube, substantially as described. 18th. A pneumatic railway system, comprising a propelling tube composed of separate sections, automatically opening and closing members for the adjacent ends of the sections, and an auxiliary tube in communication with the sections of the propelling tube, substantially as described.

No. 61,769. Excavator. (Excavateur.)

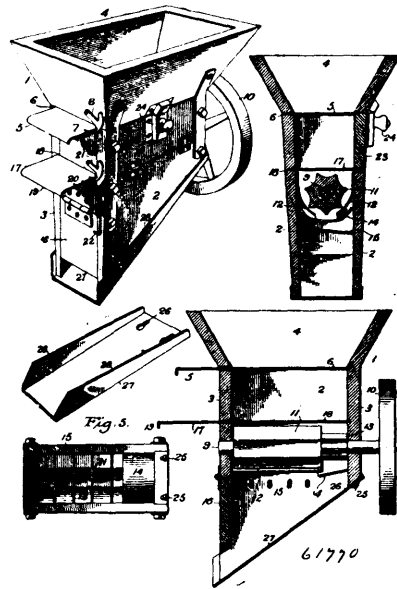


Newsome Clark Wright, Nashville, Tennessee, U.S.A., 18th November, 1898; 6 years. (Filed 28th October, 1898.)

Claim.—1st. In an apparatus substantially as described, the combination of a bed frame or platform, power hoisting mechanism thereon and a longitudinally extended guideway, a derrick on said platform, the block frame movable along the guideway, the hoisting line, the backing line and the line for operating the block frame, such lines being connected with their respective drums of the hoisting mechanism, substantially as set forth. 2nd. An apparatus substantially as described, comprising a frame or platform, a guideway thereon, a block frame movable on the guideway, a pulley block connected with said frame, a line extended from said frame for connection with the parts to be operated thereby and a guide at the front end of the guideway for said connecting line, substantially as set forth. 3rd. The combination of the bed or platform, the guideway extended longitudinally thereon, the guide rollers at the front end of said guideway, the pulley block at the rear end of said guideway, the block frame sliding on the guideway, the line extended from said block frame between the guide rollers at the front end thereof, and the line for operating said block frame, substantially as set forth. 4th. In an apparatus substantially as described, the combination of the platform, the derrick having a pivoted upright bar, the upright frame to which said bar is pivoted the strut braces for said upright frame, the cross brace between said strut braces and provided with a guide pulley, the guideway extended longitudinally on said platform and provided with a travelling pulley block frame, the line connected with said pulley block frame and extended over the guide pulley of the cross brace, the power mechanism having a drum to which said line is connected, and means whereby the pulley block frame may be connected with the devices it operates, substantially as set forth. 5th. An apparatus substantially as described, comprising the platform, the derrick crane, the guideway, the block frame movable on said guideway, the line for operating said block frame, the hoisting line, and the line for adjusting the boom of the derrick, the backing line, and the engine having drums to which the several said lines are connected, substantially as set forth. 6th. In an apparatus substantially as described, the combination of a suitable platform or frame, a guideway extended longitudinally

thereon, guide rails or wires secured at one end extended longitudinally of the guideway and adjusting connections for the other ends of said wire, and the block frame movable longitudinally of the guide frame and having portions engaging the wires or rails, substantially as set forth. 7th. An apparatus substantially as described comprising the main frame, the derrick on the same, the guideway mounted on the main frame and extended rearwardly from the derrick and elevated toward its rear end the block frame travelling in said guideway, the line for operating said block frame and the line for connecting said block frame with the device to be operated, substantially as set forth. 8th. An apparatus substantially as described comprising the main frame, the guideway extended over the main frame and supported at its front and rear ends thereon and the lines for operating the block frame and for connecting it with the device to be operated, such lines being also extended over the main frame, substantially as set forth.

No. 61,770. Feed Regulator. (Régulateur d'alimentation.)



Olaus Johnson and Peder Pederson Holt, both of Northwood, North Dakota, U.S.A., 18th November, 1898; 6 years. (Filed 28th October, 1898.)

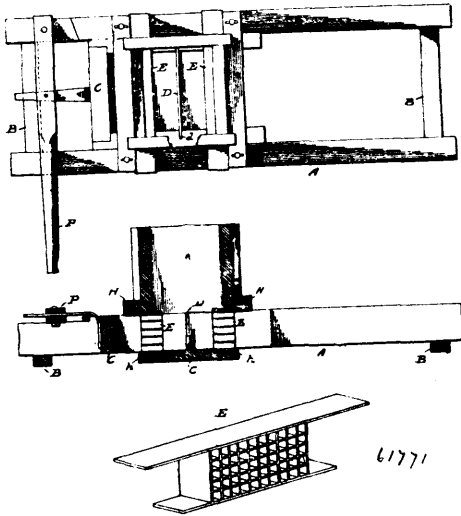
Claim.—1st. In a feed regulator, the combination with a suitable casing, of a fluted feed roller mounted therein and having one end reduced in size, and a spring plate underlying the reduced end of said roller, substantially as described. 2nd. In a feed regulator, the combination with the casing and feed roller therein, of the series of rods arranged crosswise beneath the roller, and forming an inclined plane from one side of the casing to the other, as shown and described. 3rd. In a feed-regulator, the combination with the rotatable, corrugated roller, having a reduced end portion as described of the slide arranged above the roller, and a spring plate arranged beneath the reduced portion, as shown and described.

No. 61,771. Curd Cutter. (Moules de fromagerie.)

Fred B. Fuller, Gouverneur, New York, U.S.A., 18th November, 1898; 6 years. (Filed 22nd September, 1898.)

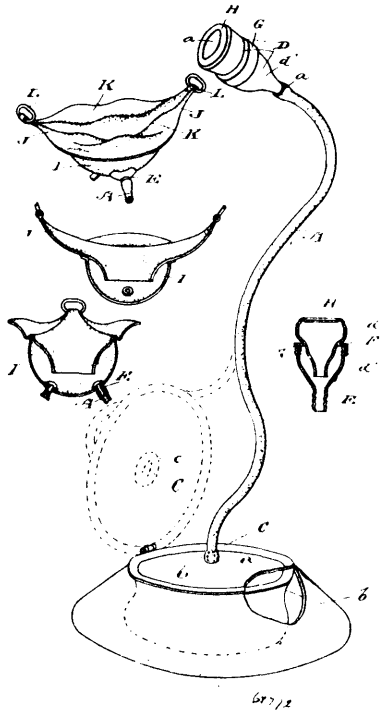
Claim.—1st. In a curd-cutting machine, the combination with a suitable base or support, and two stationary curd-cutters held therein and having sharp cutting edges, of a slide fitted to reciprocate in or upon said base or support and adapted to carry the curd fed thereto against the said cutters, together with means whereby said slide may be readily reciprocated, substantially as specified. 2nd. In a curd-cutting machine, the combination with a suitable base or support, and two stationary but removable and reversible curd-cutters held therein and having sharp cutting edges, of a slide fitted to reciprocate in or upon said base or support, and means for reciprocating said slide, substantially as specified. 3rd. In a curd-cutting machine, the combination with a suitable base or support, and two stationary curd-cutters held therein and having sharp cutting edges, of a bottomless slide-frame fitted to reciprocate in or upon said base or support and carrying a plunger which works between the two cutters and forces the curd against them alternately as the slide is reciprocating said slide, substantially as specified. 4th. In a curd-cutting machine, the combination with a base or support having two parallel sills and a floor or platform, of the two parallel transverse curd-cutters held at opposite ends of the said platform and having sharp cutting edges, and having open end portions which engage the said sills, means for temporarily securing said cutters in fixed positions, a bottomless slide fitted to reciprocate between said sills, and a transverse plate

or plunger carried by said slide and working between the said cutters, substantially as specified. 5th. In a curd-cutting machine, the



combination with a base or support having two parallel transverse sills and a floor or platform, of the two parallel transverse curd-cutters secured at opposite ends of the said platform, and consisting each of a central portion having a plurality of openings there-through whose division walls have cutting edges, and end portions adapted to embrace said sills, means for temporarily securing said cutters in fixed positions, a bottomless slide fitted to reciprocate between the said sills, a transverse plate or plunger carried by the said slide and working between the two cutters, and a curd-box supported over said floor or platform, substantially as specified.

No. 61,772. Urinal. (Urinoire.)

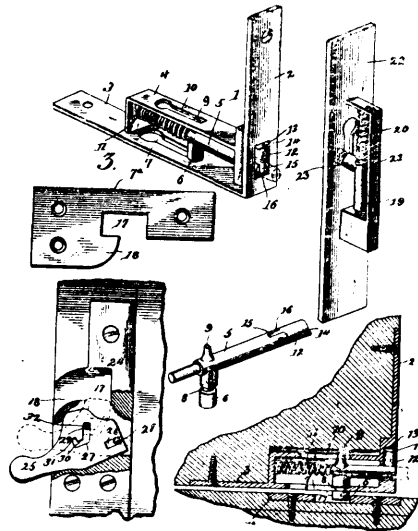


Anne Jane Arthurs, York, Ontario, Canada, 18th November, 1898: 6 years. (Filed 29th October, 1898.)

Claim.—1st. A portable urinal embracing in its construction a tube, a urine-receiver fitted to one end of the tube, and the opposite end of the tube arranged to deposit the urine in a suitable vessel, substantially as specified. 2nd. A portable urinal embracing in its construction a tube fitted at one end to receive the urine from the urinary organ, and arranged at the other end to deposit it in a suitable vessel, substantially as specified. 3rd. A portable urinal embracing in its construction a urine-receiver, arranged to check the spilling of the urine as it passes and after passing into it, and a tube connected

to the urine-receiver to convey the urine from it, substantially as specified. 4th. A portable urinal embracing in its construction a urine-receiver consisting of a bowl-shaped receptacle, an apron attached to each side of the opening in the top of the receptacle, and a flexible tube connected to the receptacle to convey the urine from it, substantially as specified. 6th. A portable urinal embracing in its construction a urine-receiver consisting of a bowl-shaped receptacle, two diametrically opposite lugs connected to the top of the receptacle and to the lugs, a tube connected to the receptacle to convey the urine from it, substantially as specified. 6th. A portable urinal embracing in its construction a tube, a urine-receiver fitted at one end to the tube, and a cover for the vessel to contain the urine fitted to the opposite end of the tube, substantially as specified. 7th. A portable urinal embracing in its construction a urine-receiver consisting of a bowl-shaped receptacle, an apron attached to each side of the opening in the top of the receptacle, a flexible tube connected to the receptacle to convey the urine from it, and a cover for the vessel to receive the urine attached to the opposite end of the tube, substantially as specified. 8th. A portable urinal embracing in its construction a urine-receiver consisting of a bowl-shaped receptacle, two diametrically opposite lugs connected to the top of the receptacle, an apron attached to each side of the top of the receptacle and to the lugs, a tube connected to the receptacle to convey the urine from it, and a cover for the vessel to receive the urine attached to the opposite end of the tube, substantially as specified. 9th. A portable urinal embracing in its construction a urine-receiver, consisting of two funnel-shaped sections, the top end of one section screw-threaded, and the opposite end fitted with a spout to which is attached a flexible tube the other section nested within the first section, and provided with an annular plate having a depending flange to engage the top of the other section, substantially as specified. 10th. A portable urinal embracing in its construction a urine-receiver, consisting of two funnel-shaped sections, the top end of one section screw-threaded, and the opposite end fitted with a spout to which is attached a flexible tube the other section nested within the first section, and provided with an annular plate having a depending flange to engage the top of the other section, and a rounded inturned flange at its upper end, substantially as specified.

No. 61,773. Door Fastener. (Arrêt porte.)

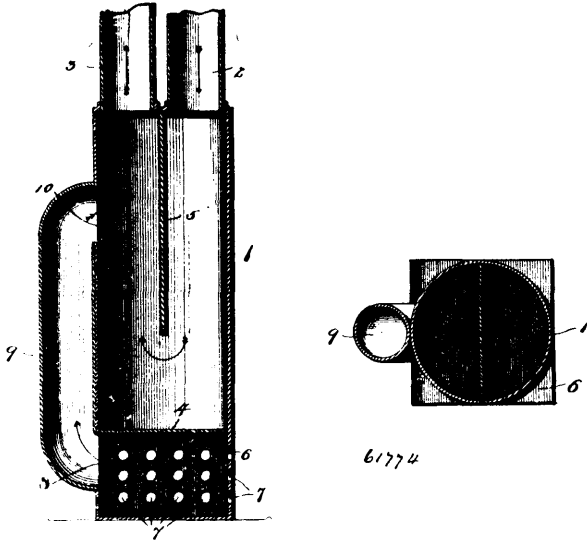


Charles Mellem Perrier Brockton, Massachusetts, U.S.A., 18th November, 1898: 6 years. (Filed 28th October, 1898.)

Claim.—1st. In a device of the class described, the combination of a frame or casing having a recess at its abutting face and a spring actuated bolt adapted to engage a suitable keeper and provided with an outer hinged section arranged to fold within the recess and adapted to be swung downward to enable the bolt to be operated, substantially as described. 2nd. A device of the class described, comprising a substantially L-shaped frame provided at one of its arms with a longitudinal casing and having guide slots in the casing and the adjacent arm of the frame, the slot of the frame being enlarged at one end, and a spring actuated bolt arranged within the casing and provided with a projection to engage the guide-slot thereof, and having an arm arranged in the guide slot of the frame, said arm being grooved to receive the edges of the frame at the contracted portion of the slot, substantially as described. 3rd. A device of the class described, comprising a frame provided with a longitudinal casing and having a guide slot enlarged at one end, a spring actuated bolt disposed longitudinally of the casing and provided with a rigid arm

extending from its inner portion at right angles to the same, arranged in the guide slot and provided with the grooves to receive the edges of the frame, said arm having its outer end arranged to engage a suitable keeper, and spring interposed between the inner end of the bolt and the adjacent end of the casing, substantially as described.

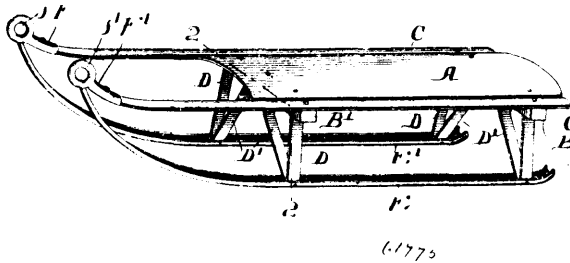
No. 61,774. Heater. (Chauffeur.)



Edgar Gardiner, Rapid City, Manitoba, Canada, 18th November, 1898; 6 years. (Filed 27th October, 1898.)

Claim.—1st. A heating drum, comprising an enlarged section, having inlet and outlet pipes connected thereto, and a flange arranged vertically therein, said flange being adapted to form a continuation of the flue within said drum, substantially as described. 2nd. A heating drum, comprising an enlarged section having connection with the inlet and outlet pipes of the smoke flue, said inlet and outlet pipes being arranged at the same end of the drum, and a flange extending vertically in said drum for a portion of its length, to form a continuation of said smoke flue through the entire length of said drum, substantially as described. 3rd. A heating drum, comprising an enlarged section having inlet and outlet pipes for the passage of the products of combustion, said drum having a vertical flange adapted to form a continuous passageway for said products within said drum, and means connected to one side of said drum, for passing the air outside of said drum contiguous to the floor into said outlet smoke flue, whereby a circulation of the air within the room is provided, substantially as described. 4th. A heating drum, comprising an enlarged section, having inlet and outlet pipes for the passage of the products of combustion, said drum having a vertical flange adapted to form a continuous passageway for said products within said drum, a support for said drum located on the floor of the room, a series of air inlet openings formed in the sides of said support, and a pipe leading from and operatively connected to said support and said drum, the connection with said drum being above the lower end of said flange, whereby the passage of the products combustion through said drum will cause the cold air without said support to be drawn into and carried off with said products, substantially as described.

No. 61,775. Sled. (Traineau.)

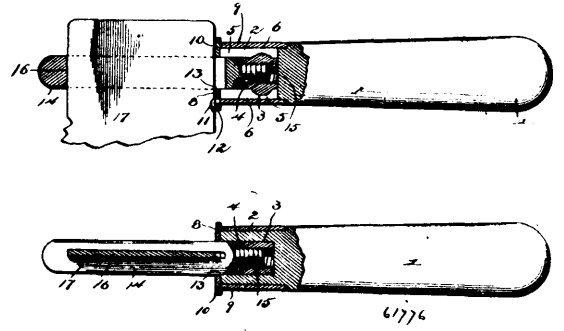


Henry L. Ferris, Harvard, Illinois, U.S.A., 18th November, 1898; 6 years. (Filed 27th October, 1898.)

Claim.—1st. In a sled, the combination with suitable framework and concave-convex runners upwardly concave, of a series of knees, each composed of a pair of braces extending downward into the concave upper side of the runner and butting against each other therein, substantially as described. 2nd. In a sled, the combination, with a suitable top and upwardly concave runners, of the

U-shaped downwardly diverging braces, D, D', secured at their lower ends in the concave upper sides of the runners, and abutting each other at said lower ends, substantially as described.

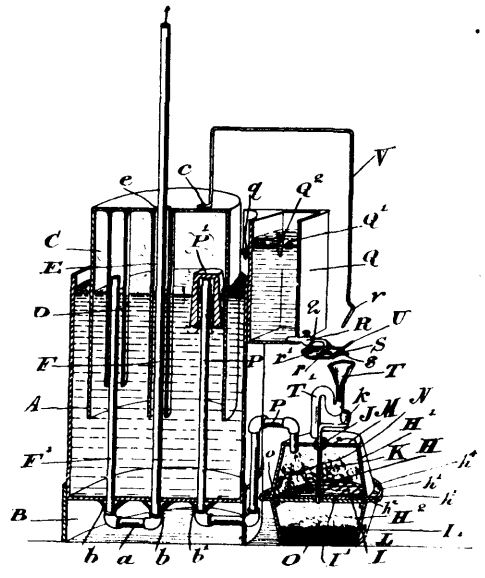
No. 61,776. Saw-Handle. (Manche de scie.)



William Bennet Prouty, Ridgway, Pennsylvania, U.S.A., 18th November, 1898; 6 years. (Filed 27th October, 1898.)

Claim.—1st. A device of the class described, comprising a handle provided at one end with a socket and having longitudinal slots at opposite sides thereof, a nut fitted in the socket, terminating short of the outer end thereof and provided with longitudinal flanges arranged in said slots and extending beyond the nut to the outer end of the handle, a cap arranged on the handle and provided with an opening, and an adjustable yoke having a threaded shank extending through the opening of the cap and engaging the nut, substantially as described. 2nd. A device of the class described, comprising a handle provided at one end with a socket and having longitudinal slots at the sides thereof, a nut fitted in the socket, and provided with longitudinal flanges arranged in the slots, a cap fitted on the handle and composed of a ferrule provided at its ends with lugs, and a disc or plate having apertures receiving the lugs, and an adjustable yoke having a threaded shank engaging the nut, substantially as described. 3rd. A device of the class described, comprising a handle having a socket, a nut fitted in the socket, an adjustable yoke engaging the nut, and a cap arranged on the handle and composed of a ferrule having projecting lugs at its outer end, and a disc or plate provided with apertures receiving the lugs, substantially as described.

No. 61,777. Acetylene Gas Generator. (Générateur de gaz acétylène.)

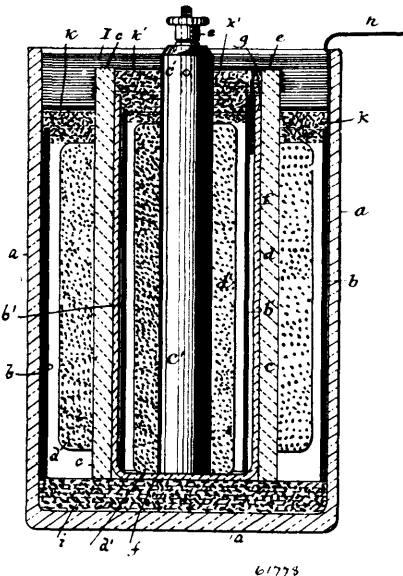


Benson Clothier Beach, Winchester, Ontario, Canada, 18th November, 1898; 6 years. (Filed 13th April, 1898.)

Claim.—1st. In a machine of the class described, the combination with the water-tank A, and gas reservoir C, of the guiding sleeves D and E, connected to such gas reservoir, and fitting over the pipes F and F', and a gas pipe leading from a carbide chamber into the gas reservoir, as set forth and for the purpose specified. 2nd. In a machine of this class described, the combination with the water-tank

A, gas reservoir C, constructed and supported as described, and carbide chamber H¹, connected by the pipe P, to the gas reservoir C, cap or bell P¹, fitting over upper end of said pipe, of the water-feed tank Q, provided with a trough S, the rod V, connected to the gas reservoir C and the trap T, all arranged as described and for the purpose set forth. 3rd. In a machine of the class described, the combination with the water-tank A, gas reservoir C, supported and operating as described, water-tank Q, trap T, and carbide chamber H¹, of the tap R, trough S, pivoted off centre as described, pipe s, rod U, and rod V, all arranged and operating for the purpose specified. 4th. The combination with the carbide chamber H¹, and ash chamber, H², of the grate I supported therein, rod K, and scraper-bar I¹, operating together as specified. 5th. The combination with the two chambers H¹ and H², and the grate I, of the flanges h¹ and h², connected together as specified, and the doors L and M, as described and for the purpose specified. 6th. The combination with the water-tank and gas reservoir, of the carbide chamber provided with a central grate, and a water supply pipe having a funnel-shaped opening, and trap, as specified, and the gas-supply pipe extending from the top of said carbide chamber into the gas reservoir, and above the level of the water in said reservoir, as set forth and for the purpose specified.

No. 61,778. Primary Battery. (Pile électrique.)



61778

Carl Koenig, 5 Oranienburger Strasse, Berlin, Germany, 18th November, 1898; 6 years. (Filed 17th February, 1898.)

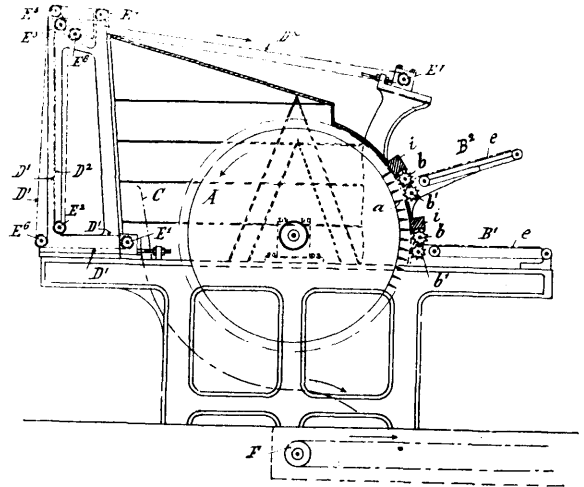
Claim.—1st. In primary batteries, the provision of two or more pairs of alternate concentric elements with insulating pots between each pair, and an exciting paste placed between each set of elements, substantially as described. 2nd. In primary batteries, alternate elements arranged concentrically with insulating pots or vessels between each pair, conducting strips in series or in parallel, and an exciting paste placed between each set of elements, substantially as described. 3rd. In primary batteries, the arrangement in a battery cell of a series of alternate elements insulated from each other, and provided with suitable exciting paste placed between the elements, substantially as described. 4th. A primary battery consisting of a glass jar a, a zinc cylinder b, a carbon cylinder, the exciting paste between the glass jar f, the zinc cylinder and carbon rod therein, the exciting paste between said cylinder and rod, the said inner zinc cylinder and the first carbon cylinder being electrically connected, substantially as described.

No. 61,779. Fabric Willowing. (Louvretage de tissus.)

Joseph Liebhold, Quedlinburg, a Harz, Germany, 18th November, 1898; 6 years. (Filed 19th January, 1898.)

Claim.—1st. A willowing apparatus for disentangling or opening knit goods, tissues, rags, etc., and to loosen threads and raw material, consisting of a pin drum, feed rollers and tray concentrically arranged with relation to both feeding rollers and the drum, and in close relation thereto, each tray in conjunction with the rollers presents the material to be treated for a definite distance and time to the work of the drum, substantially as described. 2nd. The combination with a pin drum, two sets of feed rollers, and a tray or border extending from said feed rollers for a definite distance about the pin drum, said sets of feed rollers feeding the material to different points on the pin drum, so that a division of the drum's labour will be obtained by a thin distribution of the material thereto at the successive feeding actions, substantially as described. 3rd. In a

willowing apparatus, the combination of a pin drum, the separators C, and the endless cloths D¹, and D², with their supporting and

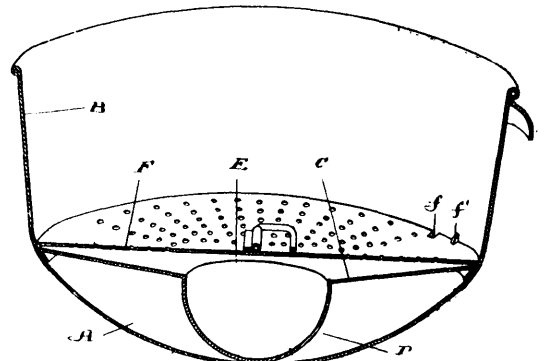


61779

guiding rollers, substantially as described. 4th. In a willowing apparatus, an elevating device consisting of the aprons D¹, and D², and the rollers E¹, E², E³, E⁴, E⁵, E⁶, E⁷, E⁸, supporting and guiding said aprons, substantially as described.

No. 61,780. Pan for Washing Gold. (Auge à laver l'or.)

(Auge à laver l'or.)



61780

Samuel G. Stoodley, Toronto, Ontario, Canada, 18th November, 1898; 6 years. (Filed 4th February, 1898.)

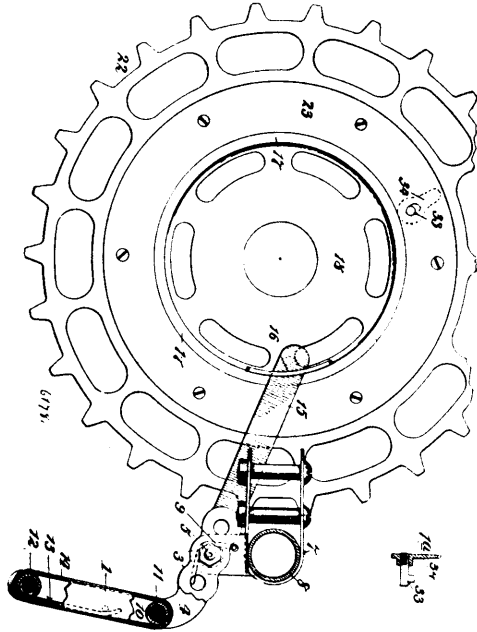
Claim.—1st. A gold washing pan consisting of a substantially semi-spherical-shaped bottom, a rim or side united to the bottom, a concave false bottom within the pan, a bowl located centrally between the false bottom and the true bottom, and a central opening through the false bottom into the bowl, substantially as specified. 2nd. A gold washing pan consisting of a substantially semi-spherical-shaped bottom, a rim or side united to the bottom, a concave false bottom within the pan, a bowl located centrally between the false bottom and the true bottom, a central opening through the false bottom into the bowl, and a perforated plate or strainer supported above the false bottom, substantially as specified.

No. 61,781. Bicycle Brake. (Frein de bicycletes.)

John Jacob La Burt, New York City, New York, 18th November, 1898; 6 years. (Filed 28th June, 1898.)

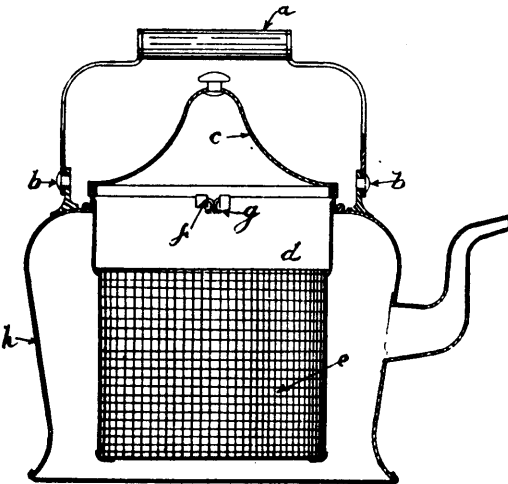
Claim.—1st. A bicycle brake comprising a frame consisting of side members having horizontally disposed upper portions mounted to swing on a clip, an endless band of yielding material extended around connecting bars of the side members, a plate mounted to swing on the lower bar and bearing against the band and means operated from the pedal shaft for applying the brake. 2nd. A bicycle brake comprising a frame consisting of slide members, a flexible band carried by the side members the said side portions having upper portions extended at an angle and each provided with a series of holes, a clip, a bolt supported by the clip and passing through holes of the upper portions of the brake frame, a spring for holding the brake normally out of engagement with a wheel, and a part, operated by back movement of the pedal shaft to apply the

brake to the wheel. 3rd. A bicycle brake comprising a frame consisting of two side members, a roller at the upper end of the side



members, a plate connecting with a cross-bar at the lower end of said members, an endless strap engaging around the roller and the portion of the plate engaging around the lower cross-bar, said plate also engaging against the inner side of the rearstretch of the band, and means actuated by the pedal shaft for forcing the band against the rear wheel of a bicycle. 4th. In a bicycle brake, a carrier designed to be attached to a pedal shaft, a ring mounted to rotate on the carrier and having ratchet-teeth on its periphery, a sprocket-ring, dogs mounted in the carrier, one adapted to engage with the teeth of the ring and the other to engage with notches in the sprocket-ring, springs for moving the dogs into operative position, a brake having operative connection with the ring, and means for locking the carrier to the sprocket-ring. 5th. In a bicycle brake, comprising a carrier designed to be permanently attached to the pedal shaft, a ring mounted to rotate on the carrier, a loop on the ring, a brake having a lever engaging in said loop a sprocket-ring mounted to rotate relatively to the ring and carrier, a dog for locking the ring to the carrier, a dog for locking the carrier to the sprocket-ring and an eccentric for holding the sprocket-ring in engagement with its dog.

No. 61,782. Tea Kettle. (Théière.)

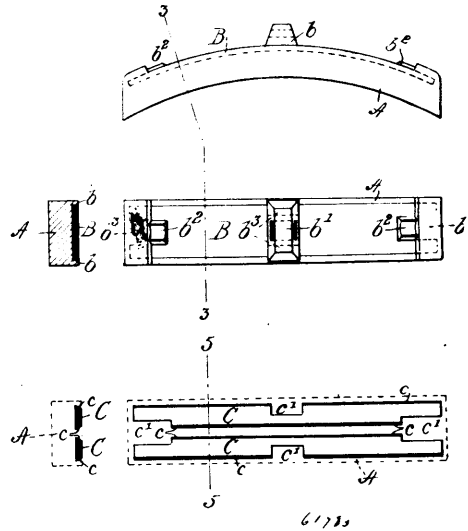


Edward Candish Millard, London, England, 18th November, 1898; 6 years. (Filed 24th October, 1898.)

Claim.—1st. The tea kettle, substantially as described and illustrated herein, and for the purpose set forth. 2nd. In kettles of the class herein described, a container of a wide diameter having a

pivoted handle adapted to be folded into the interior of the container when required, said container being provided with a perforated surface, an interchangeable lid for use upon the container or kettle after the container has been removed, a handle pivotally connected to said kettle for the purpose of facilitating the removal of the lid aforesaid, substantially as and for the purpose set forth, and as described and illustrated herein.

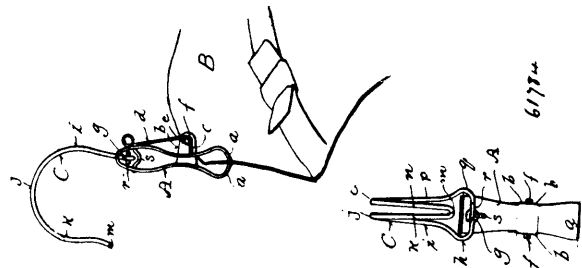
No. 61,783. Brake Shoe. (Sabot de frein.)



Alfred L. Streeter, Chicago, Illinois, U.S.A., 18th November, 1898; 6 years. (Filed 24th October, 1898.)

Claim.—1st. A brake-shoe, comprising attaching and guide lugs formed integral with the body of the shoe, and a strengthening plate or plates secured in the body of the shoe, adjacent to the back thereof, said plate or plates being cut away or notched at their sides and ends to form connections of desired strength between said attaching and guide lugs and the body of the shoe, substantially as described. 2nd. A brake-shoe, comprising attaching and guide lugs formed integral with the body of the shoe, and a strengthening plate or plates secured in the body of the shoe in such position that the back or backs of said plate or plates will be substantially flush with the back of the shoe, said plate or plates being cut away or notched at their sides and ends to form a connection of desired strength between said attaching and guide lugs and the body of the shoe, substantially as described. 3rd. A brake shoe, comprising attaching and guide lugs formed integral with the body of the shoe, and a strengthening plate or plates secured in the body of the shoe in such position that the back or backs of said plate or plates will be substantially flush with the back of the body of the shoe, said plate or plates being cut away or notched at their sides and ends to form a connection of desired strength between said attaching and guide lugs and the body of the shoe, and the extreme ends of said strengthening plate or plates being entirely covered or enclosed by the body of said shoe, substantially as described.

No. 61,784. Hat Hanger. (Porte-chapeau.)

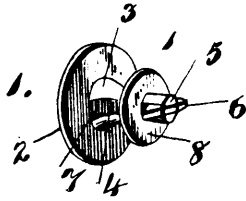


Denis Spelman, National Home, Wisconsin, U.S.A., 18th November, 1898; 6 years. (Filed 22nd October, 1898.)

Claim.—1st. A hat hanger comprising a clamp formed of a doubled strip of spring-sheet metal bent to form clamping-jaws at the end, and having integral bent tongues projecting from said strip, and an angularly-bent locking-lever pivoted to said tongues, in combination with a suspension device formed of a single strip of spring-wire

doubled and bent into a horseshoe shape with the ends of said wire formed into hooks and interlocked within the doubled upper end of the said clasp, substantially as set forth. 2nd. A hat-hanger comprising a clamp formed of a double strip of spring sheet metal, with a locking-lever pivoted thereto, in combination with a curved rivet uniting the opposite parts of said doubled strip adjacent to the upper end thereof, and a suspension device formed of a double strip of spring-wire bent into a horseshoe shape and having its ends interlocked within the said upper end of the clamp above the said rivet, whereby the clamp can be sprung within the suspension device and held locked in a closed position, substantially as set forth.

No. 61,785. Button. (*Bouton.*)



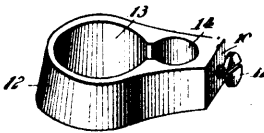
61785

William Andrew Ryan and Donald Campbell Nesbitt, both of Eau Claire, Ontario, Canada, 18th November, 1898; 6 years. (Filed 22nd September, 1898.)

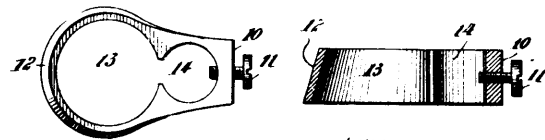
Claim.—1st. A button, comprising a front, rearwardly extending stud secured thereto, said stud having a longitudinal recess, a washer removably arm slidably mounted on said stud, and means to normally prevent the removal of said washer from said stud, substantially as described. 2nd. A button, comprising a front, having a stud extending rearwardly therefrom, a longitudinal recess formed in said stud, a washer removably and slidably mounted on said stud, and a pivotally mounted stop mounted on said stud and adapted to normally prevent the removal of said washer, said stop having a movement to allow of said removal, substantially as described. 3rd. A button, comprising a front, having a stud extending rearwardly therefrom, a longitudinal recess formed in said stud, a washer removably and slidably mounted on said stud, a pivotally mounted stop mounted on said stud and adapted to normally prevent the removal of said washer, said stop having a movement to allow of said removal, and means automatically connected to said front for normally holding said stop in its closed position, substantially as described. 4th. A button, comprising a front, having a stud extending rearwardly therefrom, a longitudinal recess formed in said stud, a washer removably and slidably mounted on said stud, a pivotally stop mounted on said stud and adapted to normally prevent the removal of said washer, said stop having a movement to allow of said removal, and a spring connected to said front and extending into the path of movement of said stop, said spring tending to normally hold said stop in its closed position, substantially as described.

No. 61,786. Pen Holder Support.

(*Support de porte-plumes.*)



61786



Antoine Honorius Meloche, Perronville, Michigan, U.S.A., 19th November, 1898; 6 years. (Filed 7th October, 1898.)

Claim.—1st. A support for pen holders, consisting of a body portion having a finger opening and an opening to receive the pen holder, and a fastening device extending into the latter opening, as and for the purpose specified. 2nd. A support for pen holders, consisting of a body portion provided with an opening near one end, the wall whereof is flared in direction of the outer surface of the

body, and a smaller opening, both of said openings extending through the body, and a set screw passed through the body into said smaller opening, as and for the purpose specified. 3rd. A support for pen holders, comprising a body having substantially an elliptical shape, the wider portion of said body having its outer surface tapered, the wider portion of said body being provided with an opening, the wall of which is flared in direction of the outer surface of the body, the said body being provided near its contracted end with a smaller opening communicating with the larger one, the larger opening being adapted to receive a finger of the hand and the smaller opening the pen holder, and means, substantially as described, for adjustably securing the pen holder in the opening of the body designed to receive it, for the purpose set forth.

No. 61,787. Aluminium Coating Process.

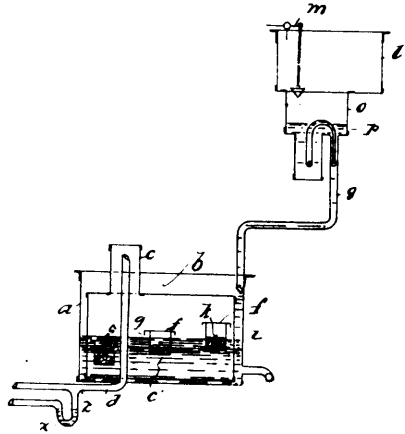
(*Procédé pour enduire l'aluminium.*)

Gaston Weil Ernest Quintaine and Clements Lepsch, both of Paris, France, 19th November, 1898; 6 years. (Filed 2nd November, 1897.)

Claim.—1st. A bath for plating aluminium or other metals which comprises an ordinary plating solution combined with an organic production belonging to the class of hydrates of carbon, substantially as described. 2nd. A bath for nickel plating aluminium or other metals which comprises a solution of double sulphate of nickel or other nickel salt combined with an organic production belonging to the class of hydrates of carbon, and more especially the class of saccharoses, cane sugar (before or after inversion) lactose, maltose, etc. etc., substantially in the proportions described. 3rd. The process of gilding or silver plating aluminium, which consists first, in plating it with nickel or copper in a solution containing a nickel or copper salt combined with a hydrate of carbon, and then gilding or silvering the nickelled or coppered aluminium in an ordinary gilding or silvering bath. 4th. The process of plating aluminium, which consists first, in plating it in a solution containing a salt of nickel and a hydrate of carbon substantially in the proportions described, and then annealing it in a close vessel, afterwards rolling if required, substantially as described.

No. 61,788. Acetylene Gas Generator.

(*Générateur de gaz acétylène.*)



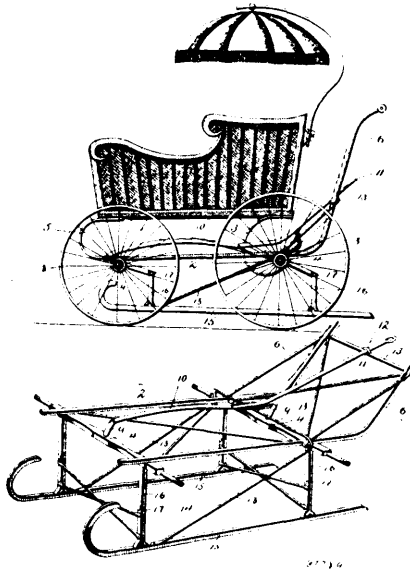
61788

Johann Mücke, 14 Holzmarkestrasse, Berlin, Germany, 19th November, 1898; (Filed 24th January, 1898.)

Claim.—1st. In an acetylene gas generator, the combination of a generator, and a water supply to the same controlled by the generator, a regulating tank inserted between the control valve and the generator and having therein an adjustable syphon as specified and a series of carbide receptacles within the generator at various heights, covers loosely resting on the same and having downwardly turned edges in the manner and for the purpose, substantially as described. 2nd. An acetylene gas generator, the combination of a generator, a water supply pipe thereto controlled by the generator, a regulating tank between the control valve and the generator having therein an adjustable syphon, a series of carbide receptacles arranged within the generator and having loose covers as specified, a bell within each receptacle having upper opening and containing the carbide, and means in connection with the gas supply pipe to carry off the water taken into the same by the acetylene developed substantially as described. 3rd. In an acetylene generator, the combination of a generator, a water supply thereto controlled by the gasometer, a water tank and a chamber thereunder, a plug valve to establish communication between said tank and chamber, a downwardly extending chamber to the regulating chamber or tank, and a syphon mounted therein, means for adjusting the said syphon, a series of carbide receptacles mounted at various levels within said generator, e covers to the same having downwardly turned edges, a bel

within each, to enclose the carbide and having upper opening, a gas outlet pipe having water traps as specified, in the manner and for the purpose substantially as described. 4th. In an acetylene gas generator, the combination of a generator chamber and a water supply pipe thereto, a water supply valve controlled by the gasometer, a regulating chamber inserted between said valve and the generator and means within the same for regulating the supply of water in the generator after the supply valve has been closed, a series of carbide receptacles arranged at various heights in the generator and having covers and bells as specified for the purpose, substantially as described and for the purpose specified.

No. 61,789. Children's Carriage. (Voiture d'enfant.)



George Chisholm, Sault Ste Marie, Michigan, U.S.A., 19th November, 1898; 6 years. (Filed 18th August, 1898.)

Claim.—1st. A children's carriage, comprising a body portion, a running gear secured thereto, and a sleigh attachment connected to said running gear, said sleigh attachment being adapted to be movable into and out of an operative position, means for moving said attachment into its operative and inoperative positions, and means for automatically retaining said attachment in its operative or inoperative positions, substantially as described. 2nd. A children's carriage, comprising a body portion, a running gear secured thereto, said running gear having a front and rear axle, connections between said front and said rear axle, whereby said axles will have a common pivotal movement, a sleigh attachment connected to said axles and having an operative movement therewith, said movement being adapted to pass said attachment to an operative or inoperative position, means for moving said attachment to its operative or inoperative position, and means for locking said attachment to any of its adjusted positions, substantially as described. 3rd. A children's carriage comprising a body portion, a running gear connected thereto, the axles of said running gear being adapted to have a pivotal movement, a sleigh attachment secured to said axles, having a movement therewith, said attachment being movable into an operative and an inoperative position, connections between said axles, whereby said axles will have a common movement, and operating lever connected to said connections, said operating lever being adapted to rotate said axles on their pivots, and a bail secured to said sleigh attachment, said bail being adapted to have an operative contact with said operating lever and the rear axle of said running gear, said contact being made when said attachment has been placed into an operative or inoperative position, substantially as described.

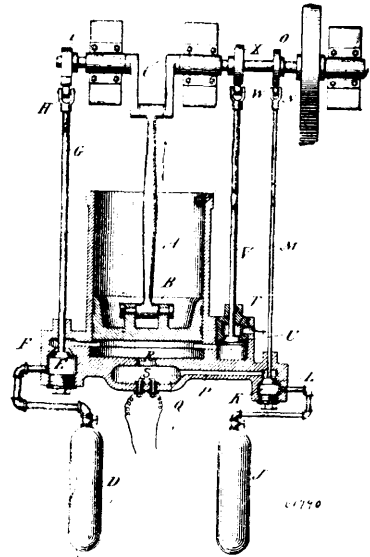
No. 61,790. Compressed Air Engine.

(Machine à air comprimé.)

Lucius Tuckerman Gibbs, New York City, U.S.A., 19th November, 1898; 6 years. (Filed 10th October, 1898.)

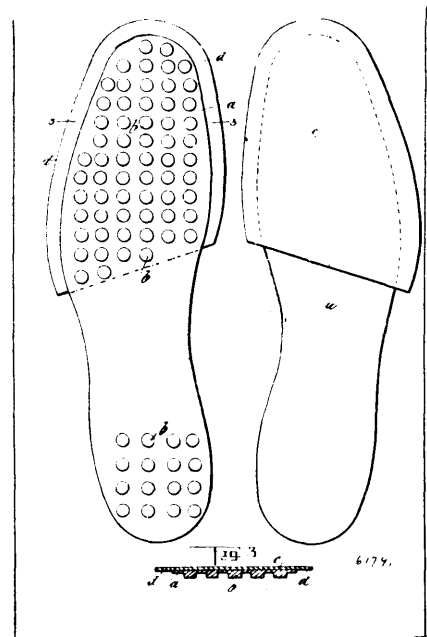
Claim.—1st. The combination of a motor, a source of air under working pressure, a source of gas or inflammable vapour under pressure, valves respectively controlling the admission of said air and said gas to said motor, and an igniter, the said parts being so organized and timed that first air and then gas are independently admitted to the cylinder and an explosion or ignition then caused to occur subsequent to the cut off of the working air, substantially as described. 2nd. The combination of a motor, a source of air under working pressure, a source of gas or inflammable vapour under pressure, a valve controlling the admission of air to the motor, a valve con-

trolling the admission of gas to the motor and an igniter, the parts being so organized and timed that gas will be independently



admitted into the cylinder when the air is at a certain pressure therein and subsequently ignited when said air is at a certain lower pressure, substantially as described. 3rd. The combination of a motor, a source of air under working pressure, a source of gas or inflammable vapour under pressure, a valve controlling the admission of air to the motor, a valve controlling the admission of gas to the motor and an igniter, the parts being so organized and timed that gas will be independently admitted into the cylinder before the point of cut off of the air and ignited subsequent to said point of cut off, substantially as described.

No. 61,791. Sole. (Chaussure.)

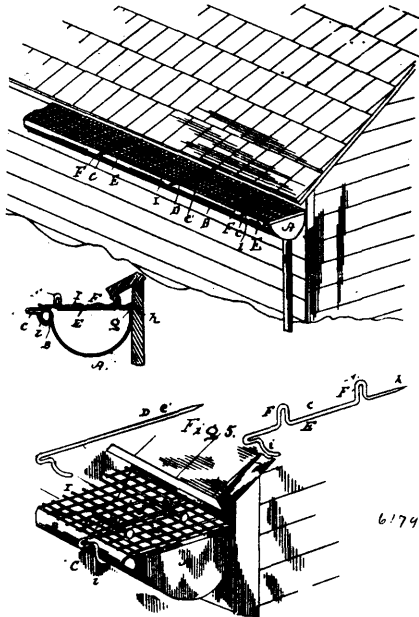


Daniel Edward Smith and Frederick William Smith, both of 183 Hereford Street, Christchurch, New Zealand, 19th November, 1898; 6 years. (Filed 27th October, 1898.)

Claim.—1st. An improved insole for boots and the like, consisting of sheet india-rubber, one face of which has a sheet of leather cemented upon it and the other face provided with a number of projecting studs or bosses, substantially as and for the purposes herein described and illustrated in the drawings. 2nd. A slip sole for boots and the like, consisting of the combination of a sheet of india-rubber having projections from one surface and a sheet of leather secured upon the other, said leather extending beyond the

edges of the india-rubber to form a wetting-strip through which stitches are passed in fixing the slip sole in position, substantially as and for the purposes described, and illustrated in the drawings.

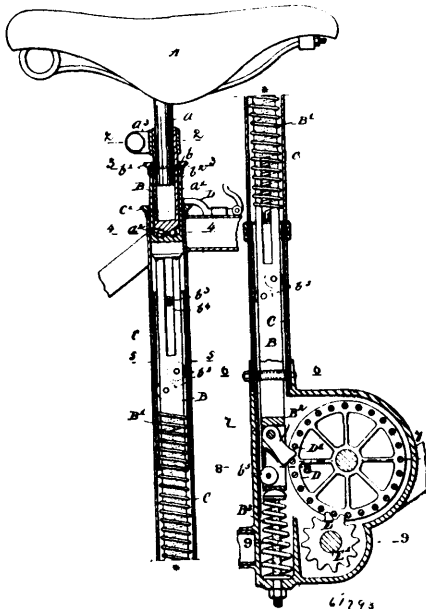
No. 61,792. Hanger and Screen for Eaves-Troughs.
(*Support et grillage de lamiers de toit.*)



Franklin P. Dick, Bucyrus, Ohio, U.S.A., 19th November, 1898; 6 years. (Filed 6th October, 1898.)

Claim.—In an eaves-trough, the combination with a trough provided at the outer edge thereof with a bead, of a screen closing the mouth of the trough, a pair of main hangers serving as supports on which the screen rests, said hangers being provided at their outer ends with hooks engaging the bead of the trough and each bent on opposite sides of its center to form loops projecting upwardly through the meshes of the screen, and an auxiliary hanger also provided at its outer end with a hook to engage the bead of a trough and arranged between said main hangers and bearing upon the upper surface of the screen, substantially as described.

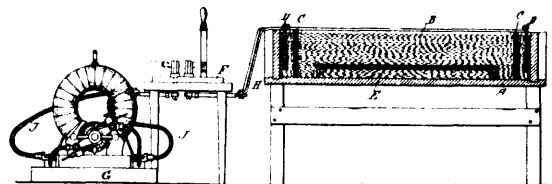
No. 61,793. Cycle Propulsion Mechanism.
(*Mécanisme de propulsion de cycles.*)



George Brougham Hubert Austin, No. 60 Armadale Road, Armadale, Australia, U.S.A., 19th November, 1898; 6 years. (Filed 22nd July, 1898.)

Claim.—1st. In mechanism for assisting in the propulsion of cycles a saddle as A carried by a short tube as a¹ resting upon ball bearings as a² within a larger tube as B and having a cross bar as b passing through slots in said tube B, and a screwed cap as b¹, substantially as herein described. 2nd. In mechanism for assisting in the propulsion of cycles a tube as B fitting loosely within the downwardly projecting tube as C of the frame of the machine and having slots as b⁴ in which work rollers as b³ removably fixed in said tube C and either with or without guide wheels as b⁵, substantially as herein described. 3rd. In mechanism for assisting in the propulsion of cycles, a tube as B actuated by the weight of the rider and fitted near its lower end with a pallet or rack as B² engaging with studs as D¹ or cogs on a wheel as D, gearing directly or indirectly with the crank shaft or hub of the drive wheel, substantially as herein described. 4th. In mechanism for assisting in the propulsion of cycles, a saddle A pivoted at its forward end as at A¹ and having its rear end connected to a pair of levers as A² fulcrumed on the saddle support and having their front ends connected to a tube as B extending into a downwardly projecting tube of the frame of the machine, substantially as herein described. 5th. In mechanism for assisting in the propulsion of cycles, a tube as B actuated by the weight of the rider and extending into a downwardly projecting tube as C of the frame of the machine and fitted at its lower end with a piston as F working within a short cylindrical chamber as F¹ having an inlet valve as F² and outlet valve as F³ and pipe as F⁴ substantially as herein described. 6th. In Mechanism for assisting in the propulsion of cycles a tube or tubes as B actuated by the weight of the rider and extending into the downwardly projecting tubes as C C¹ of the frame of the machine and connected to a lever or levers as B⁴ engaging with gearing leading to the crank shaft or hub of the drive wheel, substantially as herein described.

No. 61,794. Hide Unhairing Method.
(*Méthode d'enlever le poil des peaux.*)



George Dexter Burton, Boston, Massachusetts, U.S.A., 19th November, 1898; 6 years. (Filed 7th June, 1898.)

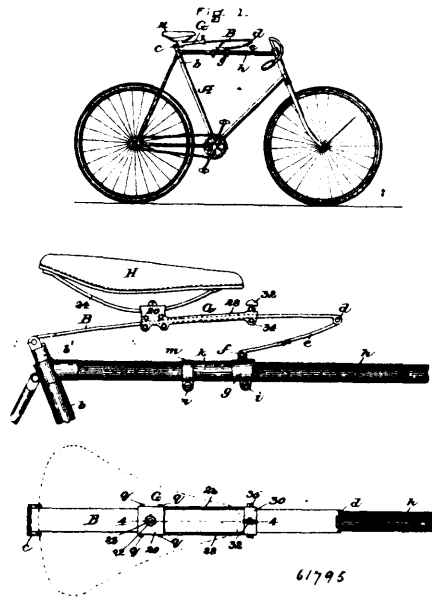
Claim.—1st. The process of unhairing animal hides or skins which consists in subjecting the hides or skin to the action of an unhairing solution, and a current of electricity passed through said solution, said current being of sufficient volume to raise the hair and permit circulation through it. 2nd. The process of unhairing animal hides which consists in subjecting said hides or skins to the action of a solution of quicklime, and red sulphide of arsenic, and an electric current passed through said solution, said current being of sufficient volume to raise the hair and permit circulation through it. 3rd. The process of unhairing hides or skins, which consists in subjecting said hides or skins to the action of a solution composed of quicklime, red sulphide of arsenic, and water in the proportions of about ten pounds of quicklime one pound of red sulphide of arsenic, and seventy gallons of water, and an electric current passed through said solution containing the hides or skins, said current being of sufficient volume to raise the hair and permit circulation through it. 4th. The process of unhairing animal hides or skins, which consists in subjecting said hides or skins to the action of an unhairing solution, and a suitable electric current passed through said solution, and avoiding injury to said hides or skins by preventing their coming into direct contact with sediment should the solution remain too long unstirred, said current being of sufficient volume to raise the hair and permit circulation through it. 5th. The process of unhairing animal hides or skins which consists in subjecting the hides to the action of an unhairing solution, and a current of electricity passed through said solution in lines parallel with the layers of skins, said current being of sufficient volume to raise the hair and permit circulation through it.

No. 61,795. Bicycle Saddle. (*Selle de bicycles.*)

Charles Franklin Webber, Boston, Massachusetts, U.S.A., 19th November, 1898; 6 years. (Filed 15th July, 1898.)

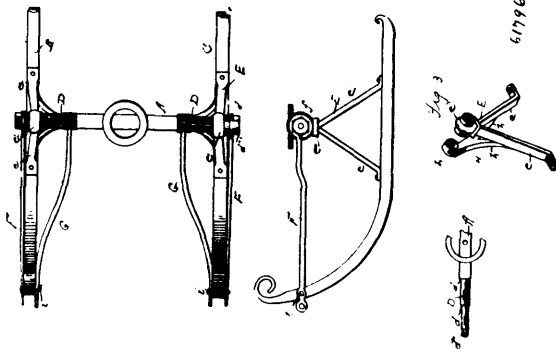
Claim.—1st. A saddle-supporting spring for bicycles, provided at its rear with a post to enter the rear or seat-post tube, and having pivoted to its forward end a lower rearwardly extending member, and a clamp on the rear end of said member to engage the top-frame-bar or tube, substantially as described. 2nd. A saddle-supporting-spring for bicycles, provided at its rear end with a pivotally connected seat-post to enter the rear or seat-post-tube, and having pivoted to its forward end a lower rearwardly extending member and a clamp pivotally connected to the rear end of said member and adapted to engage the top-frame-bar or tube, substantially as

described. 3rd. The combination with a longitudinally extending seat supporting-spring, of an elongated slide adjustable along the



spring and open between its ends to permit the spring to bow or curve under the weight of the rider, a saddle-clamp on the rear end of the slide and an adjusting device at its forward end, substantially as described. 4th. A saddle-supporting-slide comprising box-like front and rear members open at their ends for the passage of a spring therethrough, and having parallel elongated side connecting-bars, a set-screw on the rear box like member and a set-screw extending through the front box-like member, the front box-like member being far enough in advance of the corresponding rear member to expose the set-screw beyond the pommel of the saddle and within the reach of the rider, substantially as described. 5th. The combination with the longitudinal spring having means for connecting its ends to a bicycle-frame, of a slide having parallel side-bars at opposite edges of the spring, front and rear cross-pieces connecting the side bars above the spring, a saddle clamping plate under the rear cross-bar, a bolt connecting the plate and cross-bar, upper and lower cross-pieces or bolts below the clamping-plate and between which the spring extends, a cross-piece or bolt under the spring at the front end of the slide, and a set-screw extending down through the forward upper cross-piece into engagement with the spring, substantially as described. 6th. The combination with a bicycle, of a spring hinged at its rear end to the upper end of the seat-post, and extending longitudinally above the top-bar toward the head and provided with a hinged lower extension having a clamp adjustable along the top-bar, and a saddle-supporting-slide mounted on the spring provided at its rear end with a saddle-clamp and at its front end with means for clamping it to a spring, substantially as described.

No. 61,796. Bob Sled. (Traineau-jumeau.)

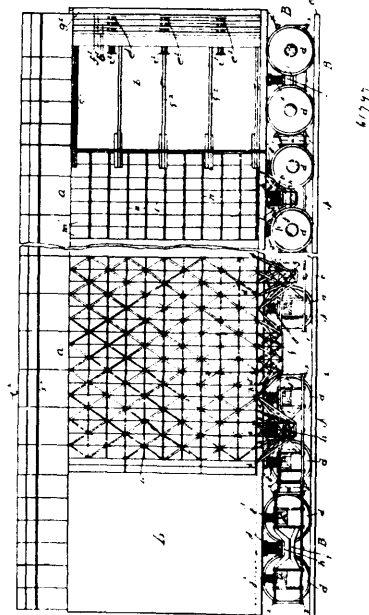


Nathan T. Canfield, Lynxville, Wisconsin U.S.A., 19th November, 1898; 6 years. (Filed 2nd November, 1898.)

Claim.—A bob sled or sled-runner for attachment to the axle of a vehicle having an axle with spindles provided with an intermediate shoulder, a runner, the knee thereof having a vertical member and a diverging member with eyes, the inner eye of the knee being adapted

to abut against the inner shoulder of the spindle, the eye of the vertical member carrying a sleeve which abuts against the intermediate shoulder, substantially as shown.

No. 61,797. Apparatus for Transporting Ships by Railway. (Appareil pour transporter les navires par chemins de fer.)

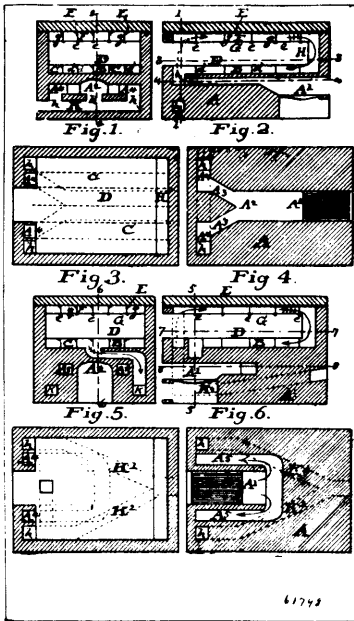


Axel Bernhard Anderson, Brooklyn, New York, U.S.A., 19th November 1898; 6 years. (Filed 29th October, 1898.)

Claim.—1st. In apparatus for transporting ships afloat in a tank, the combination with the tank, of a system of trucks comprising two lines of main trucks placed side by side on parallel tracks, and end trucks placed centrally under the tank, and on the inner rails of the main truck tracks, substantially as described. 2nd. In an apparatus for transporting ships afloat in a tank, the combination with the tank, of a system of trucks comprising two lines of main trucks placed side by side on parallel tracks, consisting of outside rails for flanged wheels and intermediate bearing rails, said trucks having outside flanged wheels, and intermediate bearing wheels on each and all the axles, substantially as described. 3rd. In apparatus for transporting ships afloat in a tank, the combination with the tank, of a system of trucks comprising two lines of main trucks placed side by side on parallel tracks consisting of outside rails for flanged wheels and intermediate bearing rails, said trucks having outside flanged wheels and intermediate bearing wheels, and end trucks placed centrally under the tank and on the inner rails for the main trucks, substantially as described. 4th. In an apparatus for transporting ships afloat in a tank, the combination with the tank, of a system of trucks comprising two lines of main trucks placed side by side on parallel tracks consisting of outside rails for flanged wheels and intermediate bearing rails, said trucks having outside flanged wheels and intermediate bearing wheels, and also having intermediate side frames and axle boxes, supporting said intermediate frames, substantially as described. 5th. In apparatus for transporting ships afloat in a tank, the combination with the tank, of a system of trucks comprising two lines of main trucks placed side by side on parallel tracks, a bearing plate supported on the middle of the truck frames transversely, a series of supporting springs placed side by side along said bearing plate, a plate carried on the springs, a king-bolt located at the middle of said plates, and trussed tank supporting bolsters extending the entire width of the tank and resting on said rollers on both lines or tracks, the trussed bolsters over the middle of the trucks also resting on the king bolts, substantially as described. 6th. In apparatus for transporting ships afloat in a tank, the combination with the tank, of a system of trucks comprising two lines of main trucks placed side by side on parallel tracks, a bearing plate supported on the middle of the truck frames transversely, a series of supporting springs placed side by side along said bearing plate, a plate carried on the springs, a king-bolt located at the middle of the plates, bearing rollers at the extremities of the upper plate whereon and on the king bolt the tank is carried, the series of guide standards of the bearing plate embracing the edges of the upper plate, and the series of guide brackets of the upper plate intermediate of the standards, of the bearing plate controlling said upper plate against lengthwise and lateral play, substantially as described. 7th. In apparatus for transporting ships afloat in a tank, the combination with the tank, of a system of trucks comprising two lines of main trucks placed side by side on parallel

tracks, a bearing plate supported on the middle of the truck frames transversely, a series of supporting frames, springs placed side by side along said bearing plate, a plate carried on the springs, a king-bolt located at the middle of the plates, bearing rollers at the extremities of the upper plate, springs located on the axle boxes, and rollers carried on the said springs, whereon, and on the rollers and king-bolt carried by the bearing plates the tank is carried, substantially as described. 8th. In apparatus for transporting ships afloat in a tank, the combination with the tank, of trucks for carrying the tank, a system of braces for the outsides of the tank, cantilever supports for said braces, and counter-braces for the cantilevers having support against the bottom of the tank, and against thrust bars suspended under the truck frames between the wheels and others suspended between the trucks, substantially as described. 9th. The combination with the gate hinges, of the intermeshing ribs and grooves for packing the hinge joints, substantially as described. 10th. The combination with the gates, of the meeting edge plates having coincident grooves and intermediate abutting ribs, of the key pivoted in one of said plates and having flanges intermeshing with the grooves of the two plates when the gates are closed, substantially as described. 11th. The combination with the gates, of the locking plates, the studs on one of said plates, and the hooks and the lock actuating bar on the other plate, said hooks having the eccentric connection with the actuating bar, substantially as described.

No. 61,798. Baker's Oven. (*Fourneau de boulangeries.*)



Werner Neuhs, Cleveland, Ohio, U.S.A., 19th November, 1898; 6 years. (Filed 25th October, 1898.)

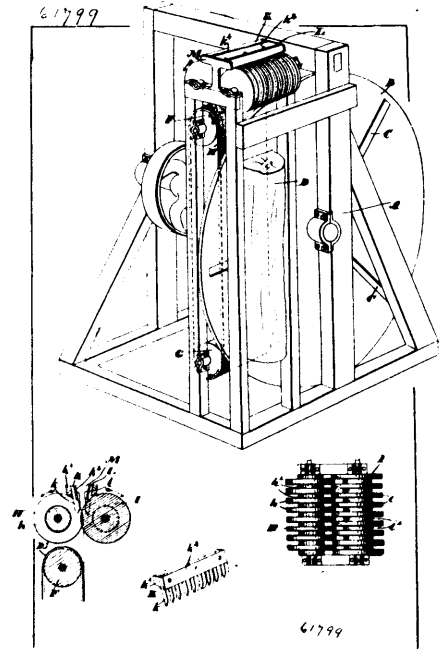
Claim.—1st. In a baker's oven, a base A of masonry, a fire-place A¹ at the front or back, a central arch-flue A² extending forward with branches A³, or side flues A³ leading into the upward side flues A⁴, longitudinal bars C supported in the front and back walls, a sheet-metal plate D forming the oven bottom, supported on said bars, posts d d also supporting said plate and bars, longitudinal bars E supported by front and rear walls, a covering plate F supported on said bars E, a metal plate G, forming the top of oven, hangers g g suspended from said bars E and supporting said plate G, downward openings h h connecting the space under the oven with the cross outlet flue K, all constructed to operate, substantially as and for the purpose specified.

No. 61,799. Rotary Cutter. (*Tranche rotatoire.*)

James Albert Manning and David Frederick Maguire, both of Toronto, Ontario, Canada, 21st November, 1898; 6 years. (Filed 14th October, 1898.)

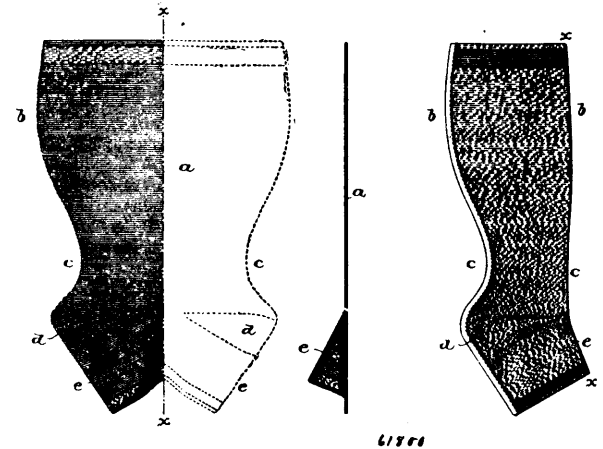
Claim.—1st. The combination, with suitable knives or cutters for producing a thin shaving, of two rotary cutters having a series of discs with double cutting edges so arranged that the discs of one cutter pass between the discs of the opposing cutter and thereby slit the shaving as it is passing up between the cutters, and for the purpose specified. 2nd. The combination with the rotary cutters, having a series of discs with double cutting edges so arranged that the discs of one cutter pass between the discs of the opposing cutter and thereby slit the shaving as it is passing up between the cutters, of the comb-like strippers for each rotary cutter, having the teeth of the same projecting into the spaces between the discs

of the cutters, as and for the purpose specified. 3rd. The combination, with the rotary cutters having a series of discs with double



cutting edges so arranged that the discs of one cutter pass between the discs of the opposing cutter and thereby slit the shaving as it is passing up between the cutters, of the comb-like strippers for each rotary cutter, having the teeth of the same projecting into the spaces between the discs of the cutters, and the endless belt having a roughened surface to grip the shaving and hold it securely as it is being fed, as and for the purpose specified.

No. 61,800. Elastic Stocking. (*Bas élastique.*)

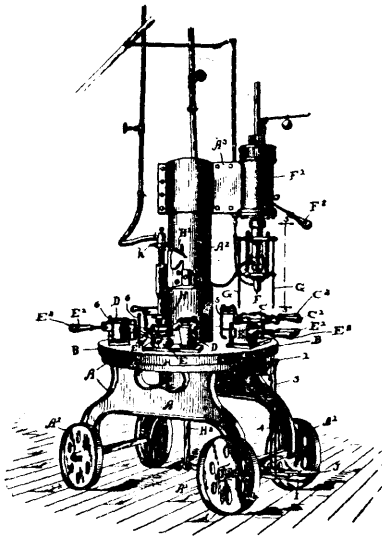


Arthur Brewin Kendrick and James Radford Kendrick, both of Philadelphia, Pennsylvania, U.S.A., 21st November, 1898; 6 years. (Filed 20th October, 1898.)

Claim.—1st. The integral blank for elastic stockings of the class recited, comprised of the leg and ankle portions having the transverse parallel rubber weft threads, substantially at right angles to the axis of the blank, the opposite triangular or gored portions at the heel part, wherein the weft threads are parallel with each other but at an angle to those of said other parts, and the instep portions wherein the weft threads are at an angle to those of the ankle and leg portions of the blank, substantially as set forth. 2nd. An elastic stocking of the class recited, having in the heel portion thereof a gore, the rubber weft threads of which are parallel with each other, but at an angle to the weft threads of the other parts of the stocking, and having also the instep portion whose weft threads are at an angle to those of said gore, and at an angle to those of the said other parts, whereby the draw on said weft threads throughout the stocking is always practically in a plane at right angles to the axis of the particular part of the foot or leg which they embrace, substantially as and for the purpose set forth.

No. 61,801. Glass Blowing Machine.

(Machine à souffler le verre.)



61801

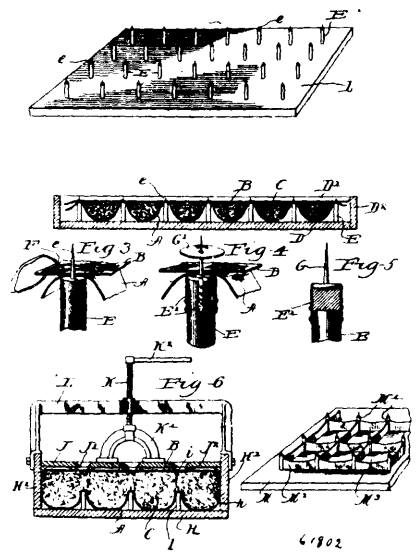
The Ball Brothers Glass Manufacturing Company, Muncie, Indiana, assignee of Frank Clayton Ball, Minnetrista near Muncie, 21st November, 1898; 6 years. (Filed 11th October, 1898.)

Claim.—1st. The combination, in a glass blowing apparatus, of neck moulds, pressing moulds, blowing moulds, a blowing head, and a pressing head or plunger, suitably arranged in relation to each other, hooks adapted to engage with the neck moulds and lift the same from the pressing moulds, and means for operating said hooks. 2nd. The combination, in a glass blowing machine, of neck moulds, pressing moulds and blowing moulds arranged in sets on a suitable table, a vertically movable plunger arranged above the pressing moulds and adapted to press the glass therein, and hooks carried by the plunger head and adapted to engage with a neck mould and lift the same from the corresponding pressing mould as said plunger re-ascends, from whence said neck mould is adapted to be transferred to a blowing mould by hand. 3rd. The combination, in a glass blowing apparatus, of neck moulds, pressing moulds, blowing moulds, a plunger arranged above the pressing moulds and adapted to press the glass therein, hooks adapted to engage with a neck mould and lift the same from the pressing mould, and means actuated from the plunger for operating said hooks. 4th. The combination, in a glass blowing machine, of a neck mould, a plunger, hooks G carried by the plunger head and adapted to engage with and lift said neck-forming mould, and springs s by which said hooks are normally held to a predetermined position, while adapted to be moved therefrom by contact with the part to be lifted thereby. 5th. The combination, in a glass blowing machine, of a pressing mould, a blowing mould, and a neck mould adapted to be transferred from the pressing mould to the blowing mould, said blowing mould and said neck mould being each composed of parts hinged together, and a suitable step or guide whereby said neck mould is enabled to be easily positioned accurately upon said blowing mould. 6th. The combination, in a glass blowing machine, of a blowing mould composed of parts united by a vertical hinge pivot, a neck mould also composed of parts united by a vertical hinge pivot and adapted to be placed upon said blowing mould, the contacting surfaces of said moulds having a ring-and-groove formation whereby they are brought into proper vertical relation with each other, and a stud or stop on said blowing mould with which one side of said neck mould is adapted to be brought into contact, whereby the hinge pivots are caused to assume a position in line with each other, substantially as and for the purposes set forth. 7th. The combination, in a glass blowing machine, of a suitable framework, a rotating table thereon, a series of sets of moulds each composed of a pressing mould and a blowing mould arranged alongside each other and attached to the table and a neck mould transferable from one to the other, a pressing head, and a blowing head, carried by a standard of the frame, means for transferring the neck mould from a pressing mould to a blowing mould, and means for rotating the table and for stopping the same in predetermined positions, said stops, pressing heads and blowing heads being so arranged, relatively to each other, that when a pressing mould is below the pressing head a blowing mould is below the blowing head, substantially as shown and described. 8th. The combination, in a glass blowing machine, of a suitable framework having a central standard, a rotating table mounted thereon, a series of pressing, blowing and neck forming moulds carried by said table, a pressing head and a blowing head carried by said standard, means for operating said pressing head,

and means consisting of a treadle I, a lever H¹, and suitable connecting rods, for operating said blowing head, substantially as set forth. 9th. The combination, in a glass blowing machine, of a suitable framework having a central standard, a rotating table mounted thereon, a series of pressing, blowing and neck forming moulds carried by said table, a pressing head and a blowing head carried by said standard, a suitable detent for locking said table at various points, a treadle for operating said detent, and a lever and a treadle for operating said blowing head, said two treadles being located alongside each other, whereby they may be conveniently operated from a single point, substantially as shown and described. 10th. The combination, in a glass blowing apparatus, of neck moulds, pressing moulds, blowing moulds, a blowing head, and a pressing head or plunger, suitably arranged in relation to each other, means adapted to engage with the neck moulds and lift the same from the pressing moulds, and mechanism for operating said lifting means, substantially as set forth.

No. 61,802. Upholstering Apparatus.

(Appareil pour tapissiers.)



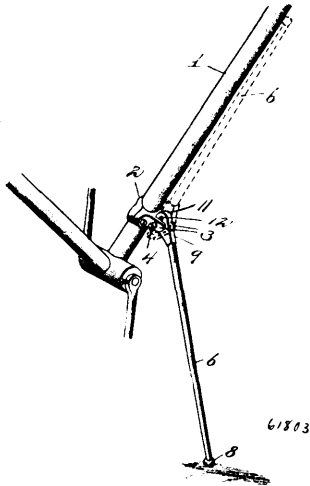
61802

The Novelty Tufting Machine Company, assignee of Alfred Freschl, all of Chicago, Illinois, U. S. A., 21st November, 1898; 6 years. (Filed 15th September, 1898.)

Claim.—1st. A former for making tufted cushions, comprising a base plate, and a plurality of upwardly projecting tufting posts attached rigidly to said plate, each of said posts being provided at its outer end with an upwardly projecting pointed pin adapted to pierce both coverings of the cushion. 2nd. A former for making tufted cushions comprising a base plate, a plurality of upwardly projecting tufting posts attached rigidly to said plate, each of said posts being provided at its outer end with an outwardly projecting pointed pin adapted to pierce both coverings of the cushion, and a plurality of strips having straight edges placed edgewise on the plate longitudinally and transversely thereof and intersecting at said posts to form between said posts a plurality of outwardly opening pockets or moulds. 3rd. An upholstering apparatus comprising a former consisting of a stationary base plate and a plurality of outwardly projecting tufting posts attached rigidly to said plate, each of which is provided at its outer end with an upwardly projecting pin adapted to pierce both coverings of the cushion, a follower movable toward and from said former and provided opposite said posts with a plurality of openings through which said pins are adapted to project, and means for moving said follower toward the former. 4th. An upholstering apparatus comprising a former consisting of a base plate and a plurality of upwardly projecting tufting posts attached rigidly to said plate, each of which is provided at its outer end with an upwardly projecting pin adapted to pierce both coverings of the cushion, a follower movable toward and from said former and provided opposite said posts with a plurality of openings through which said pins are adapted to project, said follower being provided on its under side around each opening with a flange surrounding said opening and projecting below the follower. 5th. A former for making tufted cushions comprising a base plate and a plurality of upwardly projecting tufting posts attached rigidly to said plate, each of said posts being provided at its outer end with an upwardly projecting pointed pin or nail, adapted to pierce both coverings of the cushion, said pin or nail being detachably connected with the post and adapted to be detached therefrom and serve as a means for tufting the inner and outer coverings together. 6th. An improved method of making tufted cushions which consists in laying

a piece of pliable material face downward over a form having a plurality of upwardly projecting sharp pins, depressing said material between the pin to form a plurality of upwardly opening cells therein, pressing said material down over the pins to hold the same in proper relation upon the former, filling the cells with a suitable pliable substance, applying a suitable material over the top of the entire article and pressing the same down over the pins in contact with the first-mentioned material at points immediately surrounding said pins to hold the same in proper relation to said material first mentioned, and thereafter securing said upper and lower materials together at their points of contact between said cells.

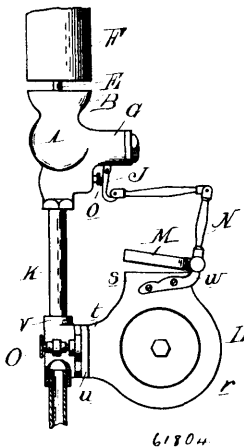
No. 61,803. Bicycle Support. (*Support de bicyclet.*)



William A. Morgan, Eastman, assignee of Samuel Welch and Henry A. Burkhardt, both of Fitzgerald, Georgia, U.S.A., 21st November, 1898; 6 years. (Filed 31st August, 1898.)

Claim.—A bicycle support, comprising a clamp having a pair of laterally projecting ears with an inner vertical wall, a pin connecting said ears and a lever pivotally supported in the said ears and having a triangular head with oppositely situated angular and straight edges adapted to contact with the vertical wall between the ears to hold the lever in a supporting and an elevated position respectively, the head being provided with a triangular slot to receive said pin, substantially as and for the purpose specified.

No. 61,804. Steam Whistle. (*Sifflet à vapeur.*)

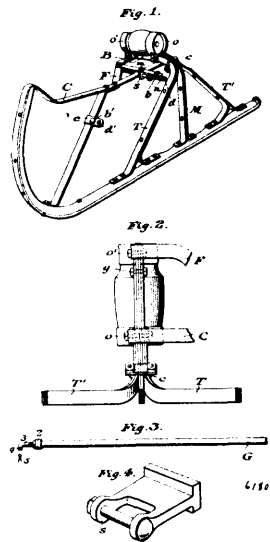


Foriest A. Davey and John G. Patterson, both of Detroit, Michigan, U.S.A., 21st November, 1898; 6 years. (Filed 25th July, 1898.)

Claim.—1st. In a whistle valve, a main steam valve, comprising a freely sliding piston, heads thereon of different area, seats around each head, seats in the casing against which the seats on the pistons respectively bear, the main steam passage to the whistle leading to and controlled by the smaller head, and an auxiliary valve-controlled passage leading to the larger head, having an exhaust therein. 2nd. In a whistle-valve, a main steam valve comprising a freely sliding piston, heads thereon of different area, seats around each head, seats in the casing against which the seats on the piston respectively bear, the main steam passage to the whistle controlled

by the smaller head, an auxiliary passage from the steam supply-pipe to the larger head, an exhaust port therein, and a valve for controlling the supply and exhaust port to the larger piston, said valve consisting of a freely sliding stem having oppositely arranged seats thereon at opposite ends, and corresponding seats around the ports leading from the main steam supply to the auxiliary passage and from the auxiliary passage, and means for actuating said valve in both directions. 3rd. The combination with a main whistle-valve of the kind described, of the controlling valve for the supply and exhaust to the large piston, consisting of the valve I, having inclined seats at opposite ends controlling respectively the supply and exhaust ports, the cap *p* having the exhaust port therethrough and a seat on its inner end against which the valve I is adapted to engage, an actuating stem for the valve passing freely through the cap, said cap being detachable to permit of the removal of the valve I. 4th. The combination with the whistle, the valve and pipe, of an electro-magnet secured to said pipe and comprising a cylindrical body having the end heads *r* provided with the upwardly projecting pole pieces *s* and the rearwardly extending lugs *t*, the connecting non-magnetic cross-bar *u* secured to the pipe and the hinged armature *M*, and a connection between said magnet and valve consisting of an upwardly projecting arm on the armature, a lever on the valve, and a link connecting said arm and lever. 5th. In a valve, the hollow piston *H* having the valve face *c* at one end, the enlargement *b* at the other end and the annular valve face *b*¹ between, in combination with a casing in which said piston is slidingly secured, having the seats *d* and *b*² with which the faces *c* and *b*¹ engage, with the outlet port *g* between said seats and pressure chamber on opposite ends of the valve, and means for exhausting the pressure on the large end side of the piston, for the purpose described.

No. 61,805. Sleigh Runner. (*Patin de traineau.*)



John Edward Hobbs and Barton Morrill Wentworth, Berwick, Maine, U.S.A., 21st November, 1898; 6 years. (Filed 18th July, 1898.)

Claim.—1st. An attachable sleigh-runner provided with means for receiving the spindle of an axle, said means supported on the arm of a bracket-truss formed of two converging standards secured to said runner, said standards turned outwardly at their junction to form said arm and clamped or bolted together, substantially as shown and described. 2nd. An attachable sleigh-runner provided with means for receiving the spindle of an axle, and means supported on the arm of a bracket-truss formed of lateral standards secured to said runner and converging to each side of a central standard, said standards turned outwardly at their junction and forming said arm and held together by a clip and bolts, substantially as shown and described. 3rd. An attachable sleigh-runner consisting of a runner having a bracket-truss mounted thereon, said truss formed of two side standards converging at a distance above said runner and resting in contact with a third standard rising vertically from said runner, said truss turned outward nearly at a right angle, at the point of union of said standards and forming an arm for attaching the runner to the sleigh or carriage body, said standards held together by a clip at the beginning of said arm and a bolt passing through it near its free end, substantially as shown and described. 4th. An attachable sleigh-runner consisting of a runner having mounted thereon a bracket-truss formed of two lateral standards rising from said runner and converging to the outer side of a central standard and forming with said central standard an out-

wardly projecting arm held together by a clip at the beginning of said arm, a hub provided with a longitudinal recess to receive said arm mounted upon and secured to said arm by bands encircling the ends thereof and bolts passing through the ends of said bands and said arm, substantially as shown and described. 5th. In an attachable sleigh-runner, the combination with said runner of a shaft coupling and support, said support consisting of two parallel bars secured to each other on opposite sides of the cap-bar and tie-bar of said runner forward of the axle support mounted thereon and having their ends projecting inwardly to a distance from said cap and tie-bars and a coupling provided with a T-head supported between said bars and secured therein, substantially as shown and described. 6th. In attachable sleigh-runners, the combination with a pair of said runners, of a loose jointed rod for holding said runners parallel to each other, said rod secured in eyes in the clips adjustably secured to the tie-bars of said runners, substantially as shown and described. 7th. In attachable sleigh-runners, the combination with said runners, of a loose jointed connecting-rod for holding said runners parallel to each other, said rods secured at each of its ends in eyes formed in bars secured to the cap-bars of said runners in front of the axle-support, substantially as shown and described. 8th. In an attachable sleigh runner the combination with said runner, of a bracket truss mounted thereon having an outwardly projecting arm, a hub recessed longitudinally on its under side to rest upon said arm, bands passing around the ends of said hub and having bolts through their ends and through said arm to secure said hub thereon, substantially as shown and described. 9th. In attachable sleigh-runners the combination with the runner, of a hub mounted on an arm formed on a truss, said truss consisting of lateral standards rising from said runners and converging to the sides of a central standard, said standards turned outward at nearly a right angle and forming said arm, said standards held together by a clip at their point of junction, a hub recessed longitudinally to rest on said arm, bands passing around the ends of said hubs, the ends of said bands secured to said arm by bolts, substantially as shown and described. 10th. An attachable sleigh-runner having a hub mounted thereon, said hub supported on an arm formed integral with a truss consisting of covering standards united to a central standard, said hub recessed longitudinally to rest on said arm, bands passing around the ends of said hub having the ends thereof secured on each side of said arm by bolts, the cap-bar and tie-bar of said runner passing under said arm and provided with upwardly turned ends resting in contact with the ends of said bands and secured therewith to said arm, substantially as shown and described. 11th. The recessed hub H, with the bracket B, substantially as set forth. 12th. The combination of two opposite sleigh-runners, parallel bars *m*, *n*, and loose-jointed connecting-rod G, substantially as set forth. 13th. The combination of two opposite sleigh-runners, the loops *c*, and the loose-jointed connecting-rod G, substantially as set forth. 14th. In an attachable sleigh-runner, the combination of the short parallel bars *m*, *n*, flanged adjustable shaft-coupling *s*, and bolt *b*, substantially as set forth.

No. 61,806. Swine Medicine. (*Médecine pour porcs.*)

Rothauf Serum Gesellschaft, Berlin, assignee of Gustavo Lorenz, Mathildenplatz, 17 Darmstadt, Germany, 21st November, 1898; 6 years. (Filed 8th June, 1898.)

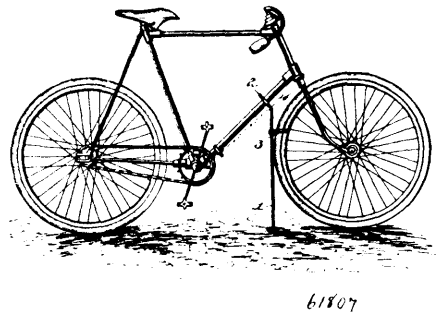
Claim.—1st. A method of preparing a permanent preparation containing in determined proportions the white corpuscles of the blood of swine immuned against swine fever, characterized by the purification of the serum with concentrated solution of chloride of calcium, and after standing a short time the fractional precipitation thereof with sulphate of ammonia in such a manner that in the first precipitate only the substance which interfere with the subsequent solution of the residues containing the white corpuscles can be included, whilst the white corpuscles are precipitated first by the further addition of sulphate of ammonia, substantially as described. 2nd. The solution of the precipitate containing the white corpuscles and dried upon plates or the like in a dissolving fluid composed essentially of water, glycerine salicylate of soda, carbonate of soda, and carbolic acid compound in definite proportions, substantially as described.

No. 61,807. Bicycle Support. (*Support de bicyclet.*)

Oscar P. Breithut and Max J. Reinhold, both of Williamsport, Pennsylvania, U.S.A., 21st November, 1898; 6 years. (Filed 13th July, 1898.)

Claim.—1st. The combination with a leg or rod, and a clamp for connecting said leg or rod to a bicycle, of a pivoted clasp mounted on the leg independently of the clamp and adapted to embrace a front wheel of a bicycle, and a tension spring for holding said clasp in position and permitting the clasp to adjust itself to the inclination of the leg or rod without disconnecting the same from the wheel, substantially as and for the purpose described. 2nd. The combination with an attaching clamp, of a leg or rod, a wheel-engaging clasp connected by a horizontal pivot to the leg or rod and adapted to turn on the rod to an angular position when the latter is moved sidewise, out of the plane of the bicycle frame, a tension spring seated against the leg or rod and connected with the clasp, and the universal joint between the rod or leg and the attaching clamp to permit the leg to have endwise and lateral adjustment of the bicycle

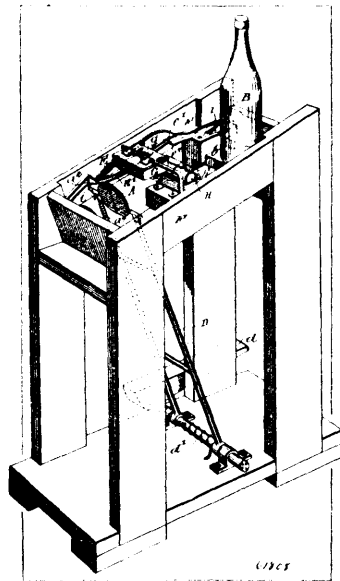
frame, substantially as described. 3rd. The combination with a leg or rod, of a clamp doubled upon itself to form a loop and provided



with a slot through said loop, a pivot fitted in the loop of the slot, a hanger pivoted to the leg and attached to the pivot confined in the loop, and a clasp carried by the leg, for the purposes described, substantially as set forth.

No. 61,808. Bottle Labelling Machine.

(*Machine à étiqueter les bouteilles.*)

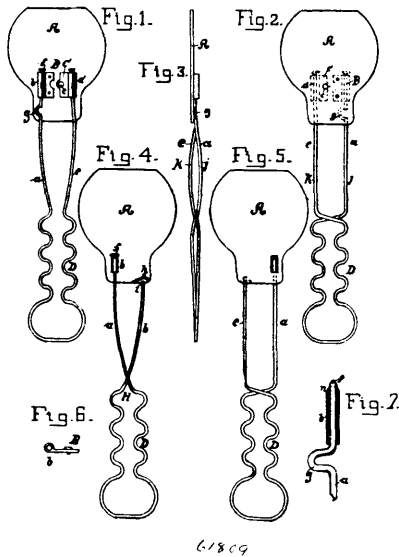


Samuel Fife, No. 46 Nott Street, and Walter Chamberlain Peacock, Equitable Buildings, Calling Street, both in Melbourne, Australia, 21st November, 1898; 6 years. (Filed 9th July, 1898.)

Claim.—1st. In a labelling machine, a label carrying and applying plate A, pivotally mounted upon a supporting arm D, and having a crank arm projecting from its pivot on one of its pivots in combination with the plate-turning guides E E', arranged to operate as shown and for the purpose specified. 2nd. In a labelling machine, a label carrying and applying plate A, made in two halves, springs to normally hold the two-halves in one plane, and so arranged as to open or move apart on coming in contact with the bottle or other article having a convex face to be labelled, substantially as and for the purpose specified. 3rd. In a labelling machine, in combination a label carrying and applying plate made in halves and fitted with projecting tongues to hold said halves in one plane whilst the plate is travelling in one direction, together with stops to effect the same purpose when said plate is travelling in the opposite direction, substantially as and for the purpose herein described and explained. 4th. In a labelling machine, in combination a label carrying and applying plate, a liquid receptacle G, with a depending piece of flannel or other absorbent material and a roller H, supplied with paste or other adhesive composition, arranged substantially as and for the purpose described. 5th. In a labelling machine, in combination the label carrying and applying plate plungers adapted to be projected from the face of the said plate on its withdrawal from the article to be labelled, substantially as and for the purpose explained. 6th. In a labelling machine, the combination with a roller H, for applying adhesive composition to a label, of a wire *k*, projecting across and fitting into a groove in said roller, substantially as described. 7th. In a labelling machine, a label carrying and applying plate made in two or more parts in combination with springs I, and pins *i*, or other projections on said plate designed to be engaged by

said springs, substantially as and for the purpose herein described. 8th. In a labelling machine, the combination with the label support, of pins *c*¹, having their inner surfaces barbed downwards, substantially as and for the purpose set forth. 9th. In a labelling machine, a label carrying and applying plate having a flexible central portion *A*, a spiral or other spring located behind the central portion and designed to exert a resistance whilst the rest of the plate folds down the outer parts of the label over the edge of the tin or other receptacle substantially as and for the purpose herein described. 10th. In a labelling machine, a label carrying and applying plate made of flexible material and means for holding it in position so that it can fold around the article to be labelled and afterwards spring back to its flat condition, substantially as and for the purpose herein described.

No. 61,809. Pancake Turner. (*Tourne-crêpe.*)



John Heberling Rochester, New York City, 22nd November, 1898 ; 6 years. (Filed 31st October, 1898.)

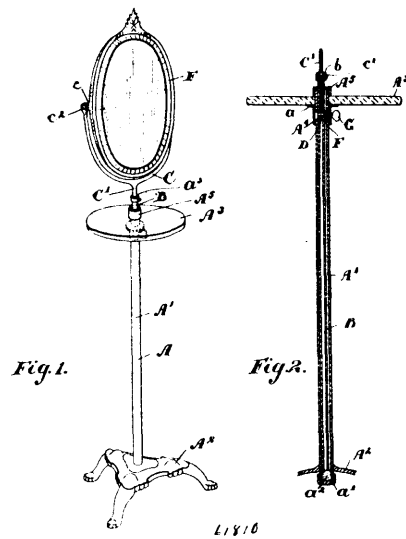
Claim.—A cake-turner, consisting of a blade and a spring-handle having its two free ends pivoted or journalled to the blade and adapted to partly rotate the blade laterally, when said ends are forced across each other, for the purposes shown. 2nd. A cake-turner, consisting of a blade provided with two journal-boxes, one rigidly fixed upon the blade and the other pivoted thereto, and a spring-handle having its free ends inserted in said journals and adapted to partly rotate the blade by forcing the two ends of the handle across each other, for the purposes shown. 3rd. A cake-turner, consisting of a blade, and a spring-handle having two free ends journalled to said blade, one of which is provided with a loop forming a stop to engage the blade and prevent undue rotation of same, the blade being rotated laterally by forcing the two arms of the handle across each other, as and for the purposes shown. 4th. A cake-turner, consisting of a blade *A* and a handle *D*, having the arms *a* and *c* journalled to the blade, the arm *a* provided with the bend *j* and the arm *c* having the bend *k*, whereby the compressing of the handle will force the arm *c* across the arm *a* and partly rotate the blade, as and for the purposes shown.

No. 61,810. Mirror Stand. (*Support de miroirs.*)

Rose Marie Hobson, Toronto, Ontario, Canada, 22nd November, 1898 ; 6 years. (Filed 27th October, 1898.)

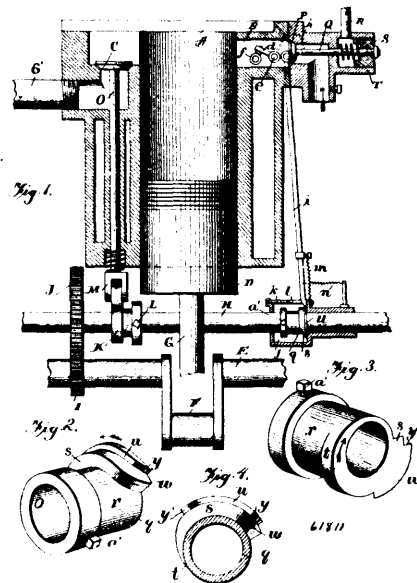
Claim.—1st. In a mirror and stand therefor, the combination with the pedestal provided with a tubular standard, of an internal tube and mirror suitably supported in the top thereof, and a spring fastened to the interior of the tube and a thumb-screw passing through the tube and designed to be brought to abut the spring so as to clamp the inner tube, as and for the purpose specified. 2nd. In a mirror and stand therefor, the combination with the pedestal provided with a tubular standard, of an internal tube, and mirror suitably supported in the top thereof, means for clamping the inner tube, and a wooden plug and cap for the bottom of the outer tube, as and for the purpose specified. 3rd. In a mirror and stand therefor, the combination with the pedestal provided with a tubular standard, of an internal tube, and mirror suitably supported in the top thereof, and a top for the pedestal and supporting tubular bracket secured to the outer tube, as and for the purpose specified. 4th. In a mirror and stand therefor, the combination with the pedestal provided with a tubular standard, of an internal tube, provided at the top with a suitable cap, means for clamping the

tube in any desired position in which it may be adjusted, a fork provided with a stem, and annular grooves in such stem, a set-screw



extending through the inner tube into the annular groove so as to permit the rotation of the fork and stem, and a mirror pivotally supported in the upper ends of the fork, as and for the purpose specified. 5th. In a mirror and stand therefor, the combination with the pedestal provided with a tubular standard, of an internal tube provided at the top with a suitable cap, means for clamping the tube in any desired position in which it may be adjusted, a fork provided with a stem, and annular groove in such stem, a set-screw extending through the inner tube into the annular groove so as to permit the rotation of the fork and stem, a mirror pivotally supported in the upper ends of the fork, and a suitable stop in the inner tube to support the weight of the stem and mirror, as and for the purpose specified.

No. 61,811. Electric Sparkers for Explosive Engines. (*Appareil électrique à étinceller pour machines explosives.*)

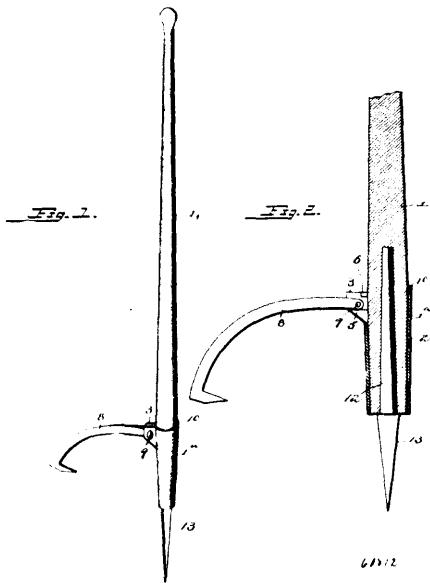


Alexander Winton, Cleveland, Ohio, U.S.A., 22nd November, 1898 ; 6 years. (Filed 1st September, 1898.)

Claim.—1st. A sparker actuating device for explosive engines comprising a cam having an abrupt end wall, a tapered end, and a projecting flange ending at a point inside the abrupt end of the cam, substantially as described. 2nd. A sparker actuating device for explosive engines comprising a collar having a cam with one end beginning on a plane therewith and its opposite end having an

abrupt tapered wall, the cam having a parallel projecting flange at its longest side with tapered ends, substantially as described. 3rd. An electric sparker for explosive engines comprising electric contacts, means for suddenly separating the contacts, a rotating cam having an abrupt end wall and a tapered end, and an endwise and laterally moving member engaging the said cam and operating one of the contacts, substantially as described. 4th. An electric sparker for explosive engines comprising contacts, means for separating them, a rotating cam having an abrupt end wall and a tapered end, and a parallel flange at the outer side of the cam ending at a point inside the end of the cam, substantially as described. 5th. An electric sparker comprising contacts, means for separating them, a rotating cam having an abrupt end wall and a tapered end, and a parallel flange at the outer side of the cam and extending parallel therewith having a tapered end ending at a point inside of the end of the cam, combined with an endwise and laterally movable actuating member engaging the cam and operating one of the contacts, substantially as described. 6th. An electric sparker for explosive engines comprising contacts, means for separating them, a rotating cam and an end wall against which the face of the cam rotates, the cam having an abrupt end wall tapered outward, and a flange parallel with the outer face of the cam projecting outward therefrom, the ends of the flange being tapered and the end adjacent the tapered end of the cam ending at a point inside of the end of the cam, substantially as described. 7th. An electric sparker comprising contacts, a rotating cam having an abrupt and diagonally extending wall, a flange projecting from the cam and extending parallel therewith, and having its end ending at a point inside the end wall of the cam, a rod having one end engaging the cam, a spring holding the rod normally downward, a spring holding the rod normally against the said flanges, the opposite end of the rod connected with the movable contact, substantially as described.

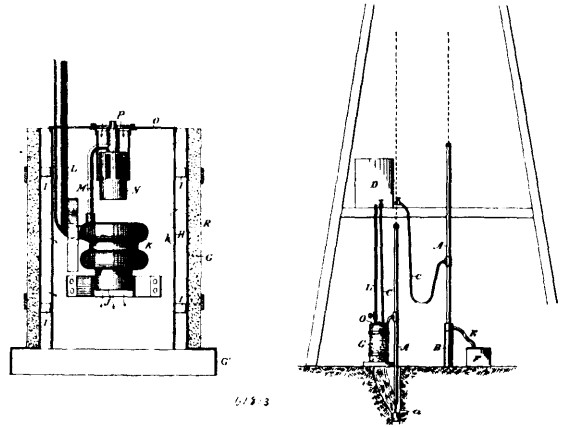
No. 61,812. Cant Hook Clip Blank. (*Douille pour renards.*)



William Bennett Prouty, Ridgeway, Pennsylvania, U.S.A., 22nd November, 1898; 6 years. (Filed 3rd November, 1898.)

Claim.—1st. In a cant hook, the combination with the handle or stock, of a clip provided at its upper edges with oppositely arranged perforated ears provided below the plane of the openings therein with inwardly projecting abutting lugs forming a lower stop, and at their upper inner corners above the plane of the openings with inwardly projecting bosses forming an upper stop, said clip being further provided at a point centrally between the ears thereof, with an upstanding reinforce clip projecting above the plane of the ears, and the hook having its inner end pivoted between said ears, substantially as set forth. 2nd. In a cant hook, the combination with the handle or stock and the hook, of a clip consisting of a body plate having at its upper side edges perforated ears provided below the plane of the openings therein with inwardly projecting lug projections, and at their upper inner corners above the plane of said openings with inwardly projecting bosses, the lugs and bosses respectively forming bottom and top stops for the hook, said body plate of the clip being further provided at its top edge between the ears with an upwardly projecting reinforce lip and below the plane of the lug projections with a socket forming apron extension, substantially as set forth.

No. 61,813. Apparatus for Penetrating and Softening Frozen Ground. (*Appareil pour creuser et degeler la terre.*)



Joseph McGillivray, San Francisco, and Frederick Petersen, Napa, both in California, 22nd November, 1898; 6 years. (Filed 22nd June, 1898.)

Claim.—1st. In an apparatus of the character described, a centrally disposed heater and directing jet nozzle, a perforated casing surrounding said nozzle having a closed rear, a second casing exterior to the perforated one and so connected as to form an annular chamber between the two openings at the rear end whereby air is admitted to the space between the two chambers and heated, and afterwards delivered to the openings of the inner chamber to the discharge nozzle of the heater. 2nd. In an apparatus of the character described, concentrically disposed exterior chambers, having an annular space between them, and an opening in the rear for the admission of air, openings formed in the inner chamber to allow the air to pass to the interior, a centrally disposed burner whereby a flame is delivered from the burner to the forward nozzle and the heated air entering through the perforated casing is drawn into the nozzle and mingled with the passing flame. 3rd. In an apparatus of the character described, concentric casings having an annular channel between them and a passage for admission of air to the said channel, openings made through the inner casing from the channel to the interior, an oil burner mounted axially within the inner chamber, whereby the air in the annular chamber is first heated, then drawn through the openings and mingled with the flame in the jet nozzle and a regulating means for applying air directly to the preliminary burner. 4th. In an apparatus of the character described, concentric cylindrical chambers having an annular channel formed between them, and an oil heater and burner disposed axially within the inner chamber, a cap closing the rear of the inner chamber having a register or valve by which a regular air supply is delivered to the rear most part of the burner, a jet nozzle in line with the said burner with an intermediate open space between the two, perforations in the inner surrounding case whereby air is first drawn into the channel between the casings and heated, then drawn through the perforations in the inner casings and mingled with the flame and products of the combustion as they pass through the jet nozzle. 5th. In an apparatus of the character described, an oil heater and burner, a perforated casing surrounding said burner and concentric therewith, a closure for the rear of said casing with registers or controlled openings centrally to the rear of the burner, an exterior casing concentric with the burner an interior perforated casing having a passage by which the air is admitted to the annular channel between the two casings to be heated therein, and afterwards delivered through the perforations to the burner and a coat of non-conducting compound surrounding the exterior casing.

No. 61,814. Generator for Electrical Igniters.

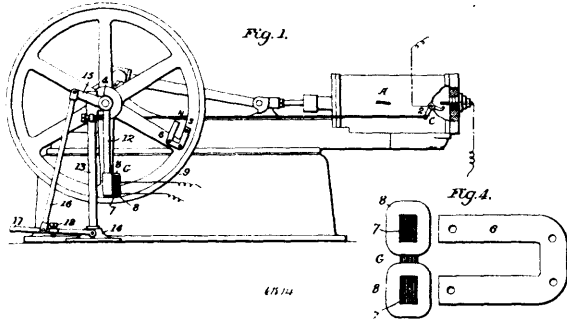
(*Generateur pour commutateurs electriques.*)

Benjamin McInnerney, Omaha, Nebraska, U.S.A., 22nd November, 1898; 6 years. (Filed 6th June, 1898.)

Claim.—1st. A generator for electrical igniters composed of two parts, one the coil wound magnet carried by the moving part of the engine, as the fly wheel, and the other, the armature relatively stationary, and means for adjusting the relation of one part to the other to vary the point at which a current is generated, substantially as described. 2nd. The combination with a gas engine and with the igniter thereof, with or without a circuit breaker, of a two part generator provided with a core and generator coils in circuit with the igniter, the core-coils connected to a movable part of the engine, and the armature having an adjustable support, substantially as set forth. 3rd. The combination with a gas engine and its electrical igniter, of a two part generator, one carried by a movable part of the engine, and the other by an adjustable support, the same relatively arranged so that one portion of the movable part will approach the adjustable part in advance of the other, substantially as set forth. 4th. The combination of a gas engine, its electrical

igniter, a two part generator, one part carried by a moving part of the engine, and means for varying the relative distance of the two

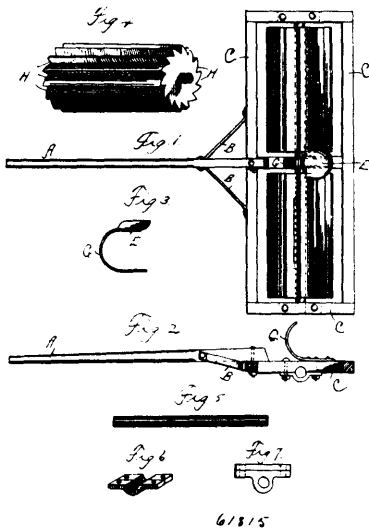
joint, and a lever engaging with said rod for moving the same to operate said knuckle joint and thus shift said movable bearing at



parts at the time that one passes the other, substantially as set forth. 5th. The combination with a gas engine and with its electrical igniter, of a generator for the igniter consisting of a permanent magnet and a wire wound core and keepers, an adjustable support carrying the magnet and core, the keepers connected to a moving part of the engine in position to travel in a path adjacent to the other parts of the generator, substantially as described. 6th. The combination with the shaft and fly wheel of a gas engine, and with the igniter, of a generator for the igniter consisting of a yoke swinging upon a bearing, arms extending from the yoke, a permanent magnet and core carried by one of the arms, stop devices limiting the movement of the other arm, and keepers carried by the fly wheel, substantially as described.

No. 61,815. Land Roller and Pulverizer.

(Rouleau d'agriculture et pulvériscur.)



Lansford Chambers, Bartlett, Iowa, U.S.A., 22nd November, 1898; 6 years. (Filed 2nd November, 1898.)

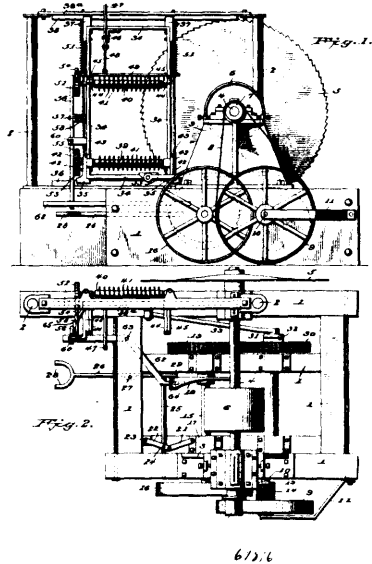
Claim.—A combined land roller and pulverizer comprising a cylindrical body or bodies, the surfaces of which is fluted, thereby forming longitudinal crushing blades or bars arranged tangentially mounted in a suitable supporting-frame provided with a draft device whereby when the roller is drawn in one direction the soil is cut and pulverized, and in the reverse direction, the soil is smoothed, substantially as described.

No. 61,816. Shingle Sawing Machine.

(Machine à scier le bardeau.)

Jerome Benett Flynn, Little Rock, Washington, U. S. A., 22nd November, 1898; 6 years. (Filed 5th November, 1898.)

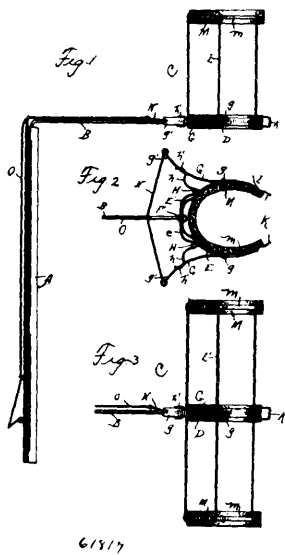
Claim.—1st. In a shingle sawing machine, the combination with a circular saw, a reciprocating block carrying carriage, and a common source of power, of mechanism for disconnecting the carriage from the source of power consisting of an intermediate shaft supported in a movable bearing at one end, a wheel mounted on said end of said shaft and adapted to be moved into and out of engagement with the source of power by the movement of its shaft, a knuckle joint connected with said movable bearing, a rod connected to said knuckle



will, substantially as set forth. 2nd. In a shingle sawing machine, the combination with a constantly rotated shaft, a circular saw on said shaft, a reciprocating block carrying carriage, and intermediate connections between said shaft and carriage whereby the latter is reciprocated, of means for independently stopping said carriage consisting of an intermediate shaft supported in a movable bearing at one end, a wheel mounted on said end of said shaft and adapted by the movement of said shaft to be moved into and out of engagement with a friction wheel constantly rotated from the main shaft, a knuckle joint connected with said movable bearing, a rod connected to said knuckle joint, and a lever for operating the knuckle joint, through the rod to engage or disengage the rotating parts, said lever being extended into a friction brake adapted to contact with the rotating parts when the movable parts are out of contact, substantially as set forth. 3rd. In a shingle sawing machine, the combination with a constantly rotating shaft, a circular saw on said shaft, and a block carrying carriage reciprocated through intermediate mechanism from said shaft, of an intermediate friction connection consisting of a wheel connected with the carriage, a band-wheel rotated from the shaft, a friction-wheel mounted on the hub of said band-wheel and consisting of a hollow sleeve screwed into said hub and formed with an annular shoulder at its outer end, and a paper friction surface on said sleeve between its shoulder and the band-wheel hub with which the carriage driving-wheel is adapted to contact to receive rotary motion therefrom, substantially as set forth. 4th. In a shingle sawing machine, the combination with a circular saw, a block carrying carriage, and means for rotating the one and reciprocating the other, of feed rollers on the said carriage for engaging the block to be fed, a ratchet-wheel on each feed roller, push and pull pawls engaging said ratchet-wheels, means for operating said pawls simultaneously at each reciprocation of the block carrying carriage away from the saw, and means for separately adjusting the length of said pawls, substantially as set forth. 5th. In a shingle sawing machine, the combination with a circular saw, a block carrying carriage, and means for rotating the one and reciprocating the other, of feed rollers on said carriage for engaging the block to be fed, a ratchet-wheel on each feed roller, push and pull pawls engaging the ratchet-wheels, respectively, a vertical rod pivoted intermediate its length and carrying the pull pawl above said pivot and the push pawl below said pivot, a horizontal lever pivoted intermediate its length and contacting with the lower end of said rod, and a cam surface on the rotating parts of the machine in the path of which lies the free end of said lever for vibrating said vertical rod to operate the pawls and impart a step-by-step motion to the feed rollers, substantially as set forth. 6th. A feed mechanism for shingle sawing machines, consisting of upper and lower feed rollers mounted in the reciprocating carriage, and having each a ratchet-wheel mounted on one end of its shaft, push and pull pawls engaging with said ratchet-wheels, respectively, mechanism for operating said pawls from the rotating parts of the machine, the upper feed roller being mounted in horizontal arms pivoted at their other ends to supports on the carriage, the length of said arms being equal to the length of the ratchet pawls, a lever connected with said feed roller for lifting the same by rocking it on said arms as a radius, and springs for exerting a normal downward tension on said feed roller, substantially as set forth.

No. 61,817. Merchandise Lifter.

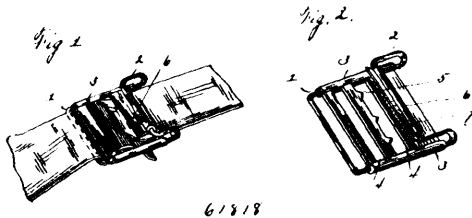
(Appareil à hisser les marchandises.)



James Dowlen and Niels Michaelsen, Oceanic, New Jersey, U.S.A., 22nd November, 1898; 6 years. (Filed 2nd November, 1898.)

Claim.—1st. In a merchandise-lifter, the combination with a handle, of an arm secured thereon, a head on the arm comprising a yoke, a substantially U-shaped pad connected to the yoke, arms connected to the ends of the yoke and to the pad, springs interposed between the arms and yoke and a connection between the yoke and the handle-arm, substantially as described. 2nd. In a merchandise-lifter, the combination with a handle, of a lifting-head secured thereon comprising a substantially U-shaped pad, a supporting-yoke to which the pad is secured having an offset or rearwardly-projecting portion, means for connecting the rearwardly-projecting portion with the handle, arms secured to the yoke and projecting beyond the ends of the same, springs interposed between the arms and yoke and a flexible actuating device connected to the rear ends of the arms and extending to the handle, substantially as described. 3rd. In a merchandise-lifter, the combination with a handle, of a lifting-head comprising a substantially U-shaped pad, standards extending from the pad and having at their ends a suitable support, spring-actuated arms secured to the pad, a yoke for supporting the pad, spring interposed between the yoke and arms, means connected with the inner ends of the arms for compressing the springs and opening the pad and a connection between the head and handle. 4th. The combination with the handle, of an arm extending out therefrom, a yoke having a rearwardly extending central portion, a supplemental yoke on the said other yoke, a connection between the yokes and the arm, arms secured to the end of the main yoke extending beyond the same in opposite directions, a pad secured to the main yoke and arms, springs for normally compressing the ends of the pads and means for moving the outer ends of the arms outwardly against the tension of the springs, substantially as described.

No. 61,818. Buckle. (Boucle.)

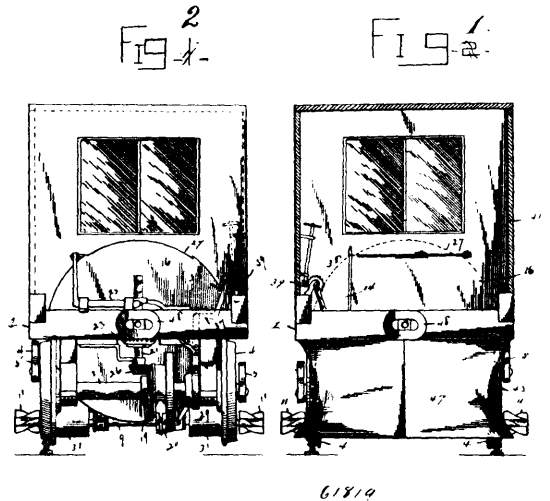


George E. Davis, Mahaffey, Pennsylvania, U.S.A., 22nd November, 1898; 6 years. (Filed 17th October, 1898.)

Claim.—1st. In a buckle, the combination with a frame having a rebent portion, of a slide mounted on said frame and adapted to hold a strap between itself, and the end of the frame, and a clasp mounted on the rebent portion of the frame. 2nd. In a buckle, the combination with a frame, having a rebent portion, of a slide provided with slots extending across the frame, and a clasp held upon the rebent portion. 3rd. In a buckle, the combination with a frame having a rebent portion, of a slotted slide, teeth projecting within one of the slots, and a toothed clasp mounted upon the rebent

portion of the frame. 4th. In a buckle, the combination with a frame having a rebent portion, of a flat metal slide provided with a slot having a plurality of pointed teeth extending thereinto from the slide, and a sheet-metal clasp bent around the rebent portion of the frame, and provided with teeth upon the side thereof.

No. 61,819. Flanger. (Coupe-glace pour rails de chemin de fer.)

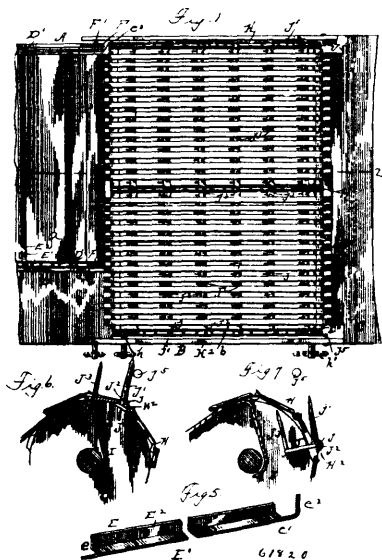


William H. Bohnenkamp and William J. Lindsey, both of La Grande, Oregon, U.S.A., 22nd November, 1898; 6 years. (Filed 28th September, 1898.)

Claim.—1st. In a machine of the kind specified, the combination, with the body and running-gear, of rotatable cutters situated inwardly of the wheels thereof, fan-casings in the rear of each of said cutters, fans in said casings, a large fan-casing communicating with each of said first-mentioned fan-casings, a large fan in said fan-casing, and means for rotating said cutters and fans. 2nd. In a device of the kind specified, the combination, with a body and running-gear, of rotatable cutters situated inwardly of the wheels thereof, fan-casings in the rear of said rotatable cutters, fans within said casings, a large fan-casing communicating with each of said first-mentioned casings, a large fan within said large fan-casing, rotatable cutters situated on the outside of said wheels, and means for rotating said fans and cutters. 3rd. In a device of the kind specified, the combination, with a body and running-gear, of rotatable cutters situated inwardly of the wheels thereof, fan-casings situated in the rear of each of said cutters, fans within said casings, a large fan-casing communicating with each of said first-mentioned fan-casings, a large fan within said large fan-casing, rotatable cutters situated on the outside of said walls, deflecting-plates situated in the rear of said cutters that are on the outside of said wheels, and means for rotating said fans and cutters. 4th. In a device of the kind specified, the combination, with a body and running-gear, of rotatable cutters mounted in upright guides upon said body, devices for raising and lowering said cutters, fan-casings in the rear of each of said cutters, fans within said fan-casings, a large fan-casing communicating with each of said first-mentioned fan-casings, a large fan within said large fan-casing, and means for rotating said fans and cutters. 5th. In a device of the kind specified, the combination, with the body and running gear, said body having depending handles provided with upright guide-bolts, of rotatable cutters mounted in bearing-blocks situated within said guide-slots, fan-casings situated in the rear of each of said cutters, movable shoes at the lower end of said fan-casings, which are flexibly connected to said fan-casings at one end while at their other end they are connected with the rotatable cutters to move bodily with the latter, fans in each of said fan-casings, a large fan-casing communicating with each of said first-mentioned fan-casings, a large fan in said large fan-casing, means for raising and lowering said guide-blocks, and means for rotating said fans and cutters. 6th. In a device of the kind specified, the combination, with the body and running-gear, of rotatable cutters and fans, means for rotating said cutters and fans, clutches situated between the source of power and said cutters and fans to control the gearing operating the same, said clutches being connected together to move in unison, and devices for operating said clutches, substantially as described. 7th. In a device of the kind specified, the combination, with the body and running-gear, of rotatable cutters, fan-casings situated adjacent to said cutters, fans within said fan-casings, means for operating said cutters and fans, a large fan-casing communicating with said first-mentioned fan-casing, a large fan within said large fan-casing, means for operating said large fan, and devices to cause said large fan to rotate in opposite directions. 8th. In a machine of the kind specified, the combination, with the body and running-gear, of rotatable cutters, fan-casings in the rear of each of said cutters, fans in each of said casings, a large fan-casing communi-

cating with each of said first-mentioned fan-casings, a large fan in said large fan-casing, rotatable brushes situated in front of the running gear, and means for operating said fans, cutters and brushes.

No. 61,820. Grain Carrier. (Transport à grain.)



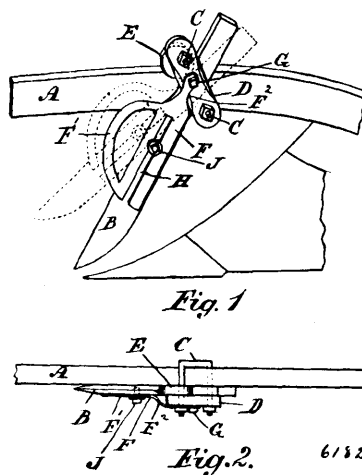
Alva E. Dewese, Quincy, Ohio, U.S.A., 22nd November, 1898; 6 years. (Filed 5th October, 1898.)

Claim.—1st. In an endless conveyer, the combination of the platform, sprocket-wheels at the ends thereof, endless chains arranged to move rake-bars over the platform and return them under the platform, the L-bars having hinge-studs c, c^1 , on their ends journaled on the chains, substantially as described, said studs having upstanding-trip-fingers c^2 on their ends, with a stationary pin at the discharge end of the conveyer adapted to engage the trip-fingers as they pass over the discharge end of the platform and thus withdraw from the straw, and a guard-plate for turning the rake-bars to natural position at the front or grainward end of the platform, all substantially as and for the purpose described. 2nd. In an endless conveyer, the combination of the platform, the endless carriers running up over the platform and back thereunder, rake-bars J having upstanding teeth j^3 at their rear edge, and journal-pins j on their front edge at each end, by which they are hinged on said carriers, and also upstanding tripping-fingers j^1 on the ends of pins j , with fixed studs at the discharge end of the conveyer adapted to engage said trip-fingers and cause the rake-bars to partly turn downward and backward and withdraw the straw, etc., on the conveyer as they pass over the discharge end thereof, and means for throwing said rake-bars into their natural position before they reach the working-point, all substantially as and for the purpose described. 3rd. In an endless conveyer, the combination of the endless side-chains H and intermediate endless chain H^1 having links provided with journal-bearings, and the sectional rake-bars J^1 having pins j^3 on their inner ends journaled in chain H^1 , and pins j on their outer ends journaled in a chain H , said pins j having trip-fingers j^1 on their outer ends with stationary studs at the discharge end of the conveyer adapted to engage said trip-fingers and cause the rake-bars to tilt rearwardly and thus withdraw from the straw, etc., all substantially as and for the purpose described. 4th. In a conveyer, the combination of the board b , the endless side sprocket-chains and endless intermediate sprocket-chain running over said board, and the sprocket-wheels, and shafts at each end of the board, the curved plate i at the discharge end of the conveyer, the sectional rake-bars J having pivot-pins j , and j^3 , by which they are hinged to said side and intermediate sprocket-chains respectively and provided with tripping-fingers j^1 on their outer ends, with the fixed studs j^2 secured to the side boards and adapted to engage fingers j^1 and cause the rake-bars to partly turn and withdraw from the straw, etc., and the curved plate attached to the lower end of the board for turning the rake-bars back to natural position at the lower end of the conveyer, all substantially as and for the purpose described. 5th. In an endless conveyer, the combination of the rake-bars having upstanding teeth, journal-pins on their front edges at each end, by which they are hinged on endless belts or chains, and also upstanding tripping-fingers, and a slotted plate overlying the upper surface of the conveyer and covering the rake-bars which travel thereunder while the teeth project upward through and travel in the slots in the plate, with fixed studs attached to the side boards at the discharge end of the conveyer in position to engage said trip-fingers and cause the rake-bars to tilt backward and with-

draw from the straw, etc., on the carrier, and a curved plate attached to the lower end of the conveyer adapted to cause said rake-bars to turn into normal position, all substantially as and for the purpose described. 6th. In an endless conveyer, the combination of the side and intermediate endless carriers, the sectional rake-bars J having hinge-studs j, j^3 , in their ends pivoted to said side and intermediate carriers substantially as described, and provided with trip-fingers j^1 , in their outer ends and also having a series of equi-distant upstanding teeth, and a fixed plate overlying said rake-bars having a series of parallel longitudinal slots through which the teeth of the upper series of bars project as they travel thereunder, with a guard-plate i and stationary studs at the discharge end of the conveyer adapted to engage said trip-fingers and cause the rake-bars to partly turn rearwardly and thus withdraw the straw, etc., as they pass over the upper end of the conveyer, and a plate i attached to the lower end of the conveyer for turning the rake-bars to normal position, all substantially as and for the purpose described. 7th. In a conveyer, the combination of the board as b , the sprocket-wheels and shafts at each end thereof, the side and intermediate chains running thereover, the plate i at the discharge end of the conveyer, and the plate i at the receiving end thereof, with the rake-bars J having hinge-studs j, j^3 , on their front edges pivoted to said side and intermediate chains and provided with tripping-fingers j^1 , and the fixed studs j^2 attached to the side boards adapted to engage fingers j^1 and cause the rake-bars to tilt backward and withdraw from the straw, etc., and the plate K covering the board b and overlying the upper set of rake-bars, but provided with longitudinal slots through which the teeth of the upper set of rake-bars project as the bars travel thereunder, all substantially as and for the purpose set forth.

No. 61,821. Plough Colter and Cleaner.

(Contre de charrue, etc.)



Arthur W. Rowsom, North Augusta, Ontario, Canada, 22nd November, 1898; 6 years. (Filed October, 24th 1898.)

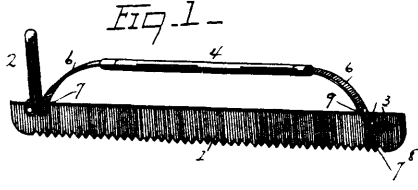
Claim.—1st. The combination with a plough beam, and a colter secured thereto by a clip, of a cleaner secured to the colter by a bolt or screw passing therethrough and through a slot in the cleaner, said cleaner having at top an arm hung pivotally to the clip bar, whereby the colter can be tilted forwardly and returned without losing the adjustment, and be adjustable vertically without disturbing the cleaner, as set forth. 2nd. In combination with the plough beam, colter and clip, the circular disc E , sleeved eccentrically on the upper leg of said clip, for adjustment of the colter more or less inclinedly in the manner set forth.

No. 61,822. Saw Frame. (Cadre de scie.)

George R. Clements, Rock Creek, Minnesota, U.S.A., 22nd November, 1898; 6 years. (Filed 2nd November, 1898.)

Claim.—1st. As an improved article of manufacture, a saw-frame consisting of a grip, curved spring-arms independent of said grip and having their adjacent ends secured to the ends of the grip and their other ends slotted to engage over the edge of a saw, and means movably mounted on one of said arms for detachably connecting said stotted ends to the ends of a saw, as set forth. 2nd. As an improved article of manufacture, a saw-frame consisting of a grip, curved-spring-arms independent of the grip and having their adjacent ends secured to the ends of the grip and their other ends slotted to engage over the edge of a saw, and a latch pivoted on the outer end of one of said arms to engage an opening in the saw, the other arm being frictionally held upon the saw, substantially as specified. 3rd. The combination with a saw having an upright handle at one end and openings near the upper edge at the opposite end, of a saw-frame

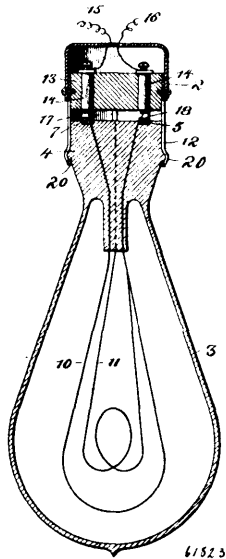
consisting of a grip with ferrules at its ends, curved spring-arms independent of the grip and secured to opposite ends thereof, the



61822

outer ends of the arms being slotted, the slotted end of one arm being frictionally held against the securing device of the said upright handle, and a pivoted latch on the outer end of the other arm to engage one of the openings in the saw, substantially as described.

No. 61,823. Multiple Filament Regulating Incandescent Lamps. (*Lampe incandescente à regulateur multiple.*)



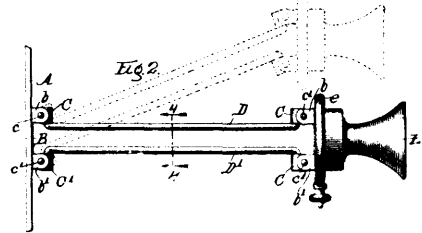
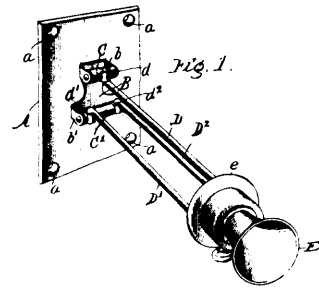
61823

Clarence Truitt, Columbia, Missouri, U.S.A., 22nd November, 1898; 6 years. (Filed 27th September, 1897.)

Claim.—1st. The combination of a lamp, multiple filaments of varying candle power inclosed within said lamp, a socket in which the lamp is fitted for rotation on its longitudinal axis, and a switch mechanism the elements of which are constructed as parts of the lamp and the socket and having terminal plates one of which is common to the filaments and others connected individually to separate filaments, said switch mechanism arranged by adjustment of the lamp, to bring the filaments in series or in parallel or to direct the current through the filaments separately, or to cut the filaments out of the circuit, as and for the purposes described. 2nd. The combination of a socket having spring contacts on the exposed face thereof, a lamp the base of which is provided on its face opposed to the contacts with terminal plates upon which said spring contacts press or bear, and multiple filaments within the lamp and connected in common to one of said plates and independently with other terminal plates, said lamp being connected with the socket to be limited to axial adjustment therein, for the purposes described, substantially as set forth. 3rd. The combination of a socket, a lamp fitted therein to be limited to rotation on its longitudinal axis, multiple filaments of varying candle power contained within the lamp, and spring-contacts and terminal plates carried by the socket and the lamp base respectively, and forming a switch mechanism controllable by adjustment of the lamp in the socket to bring said filaments in series or in parallel or to direct the current through either filament separately, one of said terminal plates being connec-

ted in common to all of the filaments and the remaining terminal plates connected individually to separate filaments, as and for the purposes described. 4th. The combination with a lamp socket, of spring contacts therein, a lamp fitted in said socket for rotation axially therein, terminal plates fixed in the lamp-base in the path of said spring contacts and to be engaged thereby, and multiple filaments of varying candle power, one end of each filament being attached to one terminal plate common to all the filaments and the other ends of said filaments connected separately to independent plates, as and for the purposes described. 5th. A lamp socket split for a part of its length to provide elastic jaws and provided with the terminal of its split portion with a fixed base-block, of spring contacts fastened to the exposed face of the said base-block, a lamp having its base fitted in the jaws of the socket and interlocked therewith to be limited to adjustment axially within the socket, terminal plates in the lamp-base and engaging with the spring contacts, and filaments carried in the lamp and connected to said terminal plates, substantially as described. 6th. The combination with a socket having spring contacts, of a lamp base, of arc-shaped terminal plates united to said lamp base to be exposed for contact with said springs, and double filaments each having one end attached to a common terminal plate and the other ends of said filaments attached respectively to other independent terminal plates, for the purposes described.

No. 61,824. Swinging Bracket. (*Console pliante.*)



61824

Theodore Smith, Georgetown, Illinois, U.S.A., 22nd November, 1898; 6 years. (Filed 2nd November, 1898.)

Claim.—1st. A swinging bracket containing three substantially parallel arms, each one of which has a universal joint at each end and is arranged out of the plane of the other two, substantially as described. 2nd. The combination with a bracket containing three substantially parallel arms each one of which has a universal joint at both ends and is arranged without the plane of the other two, of an extension bearing a slide furnishing an adjustment independent of the adjustment accomplished by the jointed arms, substantially as described. 3rd. A swinging bracket containing three substantially parallel arms, each one of which has a universal joint at each end and is arranged out of the plane of the other two, and a telephone transmitter secured to the universal joints at one end of said arms, substantially as described. 4th. A swinging bracket comprising three or more substantially parallel arms, pivot blocks upon each end of the arms in parallel arms transverse to the arms, said pivot blocks being also pivoted in lines at right angles to the first-named pivots and parallel to each other, substantially as described. 5th. The combination with a bracket containing three substantially parallel arms each one of which has a universal joint at both ends and arranged without the plane of the other two, of a plate secured to the universal joints at one end of the arms, a guide F, extending from said plate and a telephone receiver seated upon said guide and adapted to be adjusted along the same, substantially as described.

No. 61,825. Clod-Crusher and Land Roller.

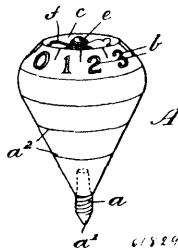
(*Machine d'agriculture a broyer.*)

Adam Zimmer and Bruno Roenisch, Sebawaing, Michigan, U.S.A., 22nd November, 1898; 6 years. (Filed 2nd November, 1898.)

Claim.—1st. A clod-crusher and roller, comprising a cylinder in two parts each on the same shaft but independent of the other, the cylinders formed of rings having their outer surface triangular in

the blocks of material to said rolls, substantially as described. 3rd. In a machine for making toothpicks the combination of two rolls having notched knives on their peripheries, grooves made in the rolls between each two knives, and arranged to run together with the knives in one roll entering the grooves in the other roll, with means for causing the rolls by the operation of the machine, to alternately approach, and to recede from each other, substantially as described. 4th. In a machine for making toothpicks the combination of two rolls having notched knives on their peripheries, grooves made in the rolls between each two knives, and arranged to run together with the knives in one roll entering the grooves in the other roll, a reciprocating feed-motion consisting of two plates sliding in ways, with means for causing the two plates by the operation of the machine to move forward and back, substantially as described. 5th. In a machine for making toothpicks the combination of two rolls having notched knives on their peripheries, grooves made in the rolls between each two knives, and arranged to run together with the knives in one roll entering the grooves in the other roll, boxes or bearings for said rolls held to slide in ways toward, or from each other, rocker-shafts held in bearings over said boxes, cross arms fast on said rocker shafts, connections from said arms on one side of each shaft to the lower boxes, and connections from the arms on the other side of each shaft to the upper boxes, with means for operating said rocker-shafts, substantially as described. 6th. In a machine for making toothpicks the following instrumentalities, two rolls having knives set in their peripheries, and having grooves in them between the knives, sliding boxes for said rolls to turn in, rocker-shafts placed over said boxes with arms connected to the boxes, sliding tables to carry the wooden blocks, racks on said tables with segment-gears engaging in said racks, a feed-shaft with gears and cranks to move said segment-gears, a worm gear engaging with a worm on a driving shaft, and a connection between the worm-gear and said rocker-shafts, substantially as described.

No. 61,829. Spinning Top. (Toupie.)



Edward Wallace Risbrough, Philadelphia, Pennsylvania, U.S.A., 22nd November, 1898; 6 years. (Filed 18th October, 1898.)

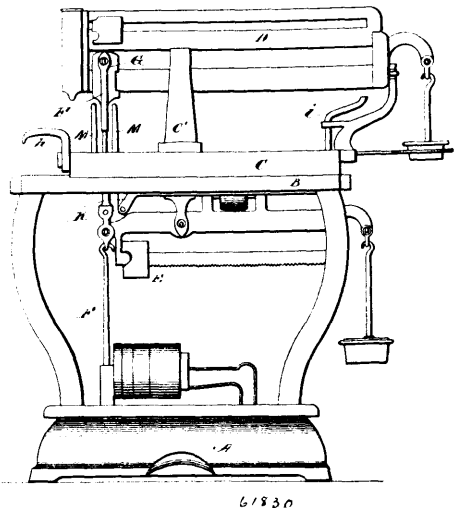
Claim.—1st. A spinning top having a pointed base, said top adapted to be spun by a cord wound around the ribbed or ridged body of the same and provided with numerals and having a countersunk head forming a channel or way, within which is provided a device carrying a rotatable blade pointer or finger held to place by a bolt or pin extending through the same into the top body and said finger or pointer actuated by air currents in the act of spinning said top to shift the position of the same within said channel or way, substantially as and for the purposes described. 2nd. A spinning top having a pointed base, said top adapted to be spun by a cord wound around the ribbed or ridged tapering body of the same, numerals impressed into or onto the bevelled upper portion of the adjacent to a countersunk head forming a circular channel or way, within which is provided a truncated cone-shape device carrying a rotatable reversely bent wing or blade pointer or finger held to place by a bolt or pin extending through the same and said device into the top body and said finger or pointer actuated by air currents in the act of spinning said top to shift the position of the same within said channel or way, substantially as and for the purposes described.

No. 61,830. Pricing and Weighing Scales. (Balance.)

Orange Oscar Ozias, Dayton, Ohio, U.S.A., 23rd November, 1898; 6 years. (Filed 8th January, 1898.)

Claim.—1st. In a price indicating scale, the combination with the relatively movable price beam and head block and the connections interposed between said head block and platform, of a stop rest independent of the platform connection having bearings separated from each other in the plane of relative movement of the head block and beam, said bearings co-operating with the head block to hold the same in vertical position during the relative movement of the beam and head block, substantially as described. 2nd. In a price indicating scale, the combination with the relatively movable price beam and head block, and connections between the head block and platform, of a stop rest independent of the platform connection having bearings separated in the plane of relative movement of the beam and head block and co-operating bearings on the head block on each side of the platform connections, whereby the tilting of the head block in the plane of relative movement of the head block and beam is prevented, substantially

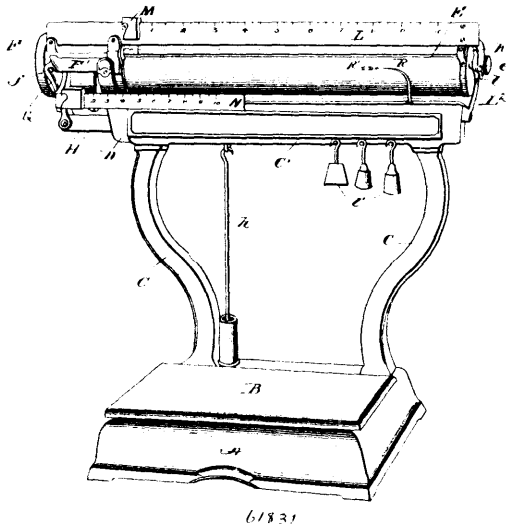
as described. 3rd. In a price indicating scale, the combination with the relatively movable price beam and head block and the



platform connection between said head block and platform of a vertically movable stop-rest independent of the platform connection and co-operating recessed and projecting bearing surface on the upper end of said stop-rest and under side of the head block below the plane of the beam, substantially as described. 4th. In a price indicating scale, the combination with a relatively movable price beam and the head block and connections between said head block and platform, and an anti-friction roller mounted in the head block and bearing against the under edge of the beam whereby a rolling contact or point of support is afforded during the relative movements of the parts with means for supporting the head block independently of the platform connections, substantially as described. 5th. In a price indicating scale, the combination with the relatively movable price beam, and head block and connections between said head block and platform, and an anti-friction roller mounted in the head block and bearing against the under edge of the beam and a stop rest independent of the platform connection for supporting said head block during the relative movements of the head block and beam, substantially as described. 6th. In a price indicating scale, the combination with the relatively movable price beam, and head block and connections between said head block and platform, of a spring-pressed anti-friction roller mounted in the head block, and co-operating with the under edge of the beam, and the stop rests for supporting said head block, substantially as described. 7th. In a price indicating scale, the combination with the relatively movable price beam, and head block and connections between said head block and platform, said beam being notched on its upper edge for holding the head block in adjusted position, of a spring-pressed anti-friction roller mounted in the head block and co-operating with the lower edge of the computing beam, and a stop rest co-operating with the head block to elevate the same, release the same from the notches in the top of the beam and support the beam on the anti-friction rollers, substantially as described. 8th. In a price indicating scale, the combination with the longitudinally movable price beam, and the connector extending between the platform and the beam and adjustably connected to the latter, of a support or stop rest for holding said connector while the beam is being shifted and a support for the forward end of the beam, consisting of an upwardly extending rod, movable longitudinally with the beam with means for elevating said rod, substantially as described. 9th. In a price indicating scale, the combination with the base, the carriage movable longitudinally thereon, the price beam fulcrumed on the carriage, the head block on the beam and connector for the platform connected with the said head block, of the arms pivotally mounted on the base, and the upwardly extending rods or stop rests M M, rigidly mounted on said arms, and co-operating at their upper ends with the under side of the head block beneath the beam, on each side of the platform connector, with means for raising and lowering said arms and stop rests, substantially as described. 10th. In a scale, the combination with a pivoted and balanced scale beam having a smooth surface or track and a finely serrated surface, of a poise movably supported on the smooth surface of the beam, a lock carried by the poise, a spring for holding the lock either in or out of engagement with the serrated surface of the beam and two oppositely movable finger pieces controlling the lock, whereby when one finger piece is moved, the lock will be thrown into operative position and when the other finger piece is moved, the lock will be thrown out of operative position, substantially as described. 11th. In a scales, the combination with

the beam having a smooth upper edge and finely serrated lower edge, of a poise sliding on the beam, a lock pivoted in the poise, and a spring for holding the said lock in or out of engagement with the beam, substantially as described. 12th. In a scales, the combination with the beam having a smooth upper edge and a serrated lower edge, of a poise sliding on the beam, a lock pivoted in the poise, a spring for holding said lock in or out of engagement and a roller forming the engaging face of the lock, substantially as described.

No. 61,831. Computing Scales. (Balancer.)



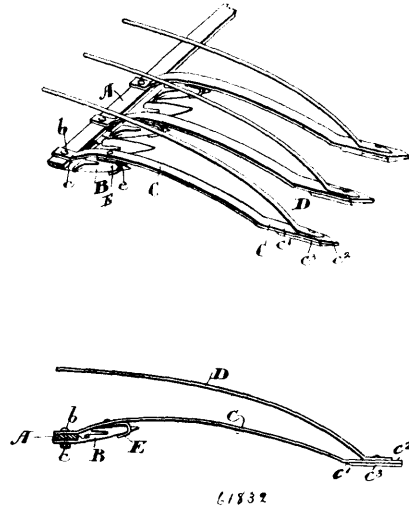
Orange Oscar Ozias, Dayton, Ohio, U.S.A., 23rd November, 1898; 6 years. (Filed 8th January, 1898.)

Claim.—1st. In a computing scales, the combination with the goods receiver and support, of a beam formed hollow longitudinally and an adjustable balancing weight located permanently within and entirely enclosed by the beam, substantially as described. 2nd. In a computing scales, the combination with the goods receiver and support, of a beam pivoted in the support, and to which the goods receiver is connected, formed with its shorter arm hollow longitudinally and adjustable balancing weight located permanently within and entirely enclosed by the beam, substantially as described. 3rd. In a price scale, a cylindrical non-rotary beam end, side pieces rigidly secured to said end, pivots on said side pieces arranged in pairs opposite each other and at opposite ends of the side pieces, for supporting the beam and for the attachment of the load support, of a rotary cylindrical extension supported by and in line with the non-rotary end and bearing tables of computations, and a graduated bar rigidly attached at one end to one of said pieces and projecting parallel with and in proximity to said rotary cylindrical extension, substantially as described. 4th. In a price scale, a cylindrical non-rotary beam end, side pieces rigidly secured to said end, pivots for supporting the beam and for the attachment of the load support carried by said side pieces, of a rotary cylindrical extension supported by and in line with the non-rotary end, a casing surrounding said extension, rigidly attached at one end to one end of the non-rotary member, and a graduated bar rigidly attached at one end to one of the side pieces and at the opposite end to the outer end of the casing, substantially as described. 5th. In a computing scales, the combination with a rotary computing member having a non-rotary cylindrical prolongation at one end of substantially the same diameter as the rotary member and the rotary member and the pivotal bearings in which the beam swings and to which the load is connected with said non-rotary prolongation, of a graduated bar mounted on said prolongation and extending substantially parallel with the computing member. 6t. A beam for computing scales, embodying in combination, a rotary computing member having a cylindrical non-rotary prolongation of substantially the same diameter at one end to which the supporting and load pivots are connected and a casing enclosing said rotary member and attached to and supported by the non-rotary prolongation, substantially as described. 7th. A beam for computing scales, embodying in combination, a rotary computing member having a cylindrical non-rotary prolongation at one end to which the pivots for the beam and load attachment are connected, a cylindrical casing attached to the non-rotary prolongation and enclosing the rotary member. and a graduated bar supported by said prolongation at one end and attached to the casing at the opposite end, substantially as described. 8th. A beam for computing scales, embodying in combination, a rotary computing member having a non-rotary hollow prolongation at one end to

which the supporting pivots and load pivots are attached and a balancing weight located within said non-rotary prolongation, substantially as described. 9th. In a computing scale, the combination with the base or support and a bearing yoke carried thereby, of a cylindrical rotary computing member having a cylindrical non-rotary prolongation of substantially the same diameter at one end embraced by said yoke with pivotal connections between the yoke and computing member, a load support pivotally connected with said non-rotary prolongation, a graduated bar mounted on said non-rotary prolongation and extending parallel with and in proximity to the computing member and a poise on said bar adapted to register with the computing member, substantially as described.

No. 61,832. Pea Harvester.

(Machine à récolter les pois.)

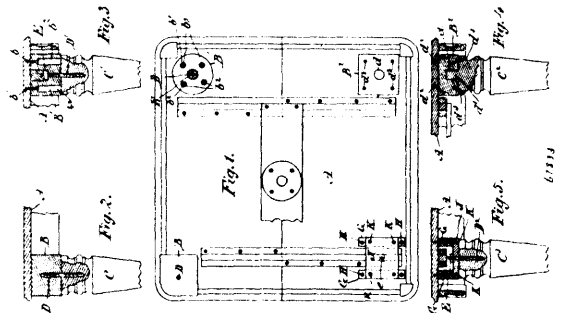


Wallace Dunn, Burnhamthorpe, Ontario, Canada, 23rd November, 1898; 6 years. (Filed 8th November, 1898.)

Claim.—1st. In a pea harvester, the combination with the cutter-bar and knife-guard bolt, of a spring finger or fingers, comprising the curvulate portion, straight rear portion, designed to be attached to the cutter-bar, a straight front and sharpened portion, the lift-rod secured thereto, and means for holding the spring finger in proximity to the ground, as and for the purpose specified. 2nd. In a pea harvester, the combination with the cutter-bar and knife-guard bolt, of a spring finger or fingers, comprising a curvulate portion, a straight rear portion, designed to be attached to the cutter-bar by the bolt, a straight front and sharpened portion, the lift-rod secured thereto, and a pointed shoe secured to the under surface of said front portion, and means for holding the spring finger in proximity to the ground, as and for the purpose specified. 3rd. In a pea harvester, the combination with the cutter-bar, knife-guard, and bolt thereof, of a spring finger or fingers, comprising a curvulate portion, a straight rear portion designed to be attached to the cutter-bar, a straight front and sharpened portion, a lift-rod secured to the upper side, a hooked plate located under the curvulate portion of the finger, having a slot at the apex of said hook through which the point of the knife-guard passes, as and for the purpose specified.

No. 61,833. Table Leg Fastening.

(Attache pour pieds de tables.)

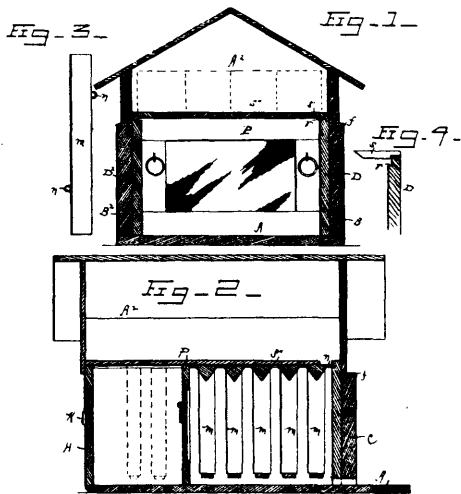


William Hamilton Merritt, Strathroy, Ontario, Canada, 23rd November, 1898; 6 years. (Filed 8th November, 1898.)

Claim.—1st. The combination with the table top and leg, of a block secured to the under side of said top and a double-ended bolt screwing into the top end of the leg and into said block, as set forth. 2nd. The combination with the table top and leg, of a block secured

to the under side of said top and provided with a hole, a nut therein, and a bolt screwing into the top end of said leg and into the nut, as set forth. 3rd. The combination with the table top and leg, of a block secured to the under side of said top and provided with a pin-hole, said leg having a dowel pin at the end, and fitting into said hole, the leg and block fastened together by converging screws, as set forth. 4th. The combination with the table top and legs, of the parallel cleats secured to the under side of the top and a connecting bridge-piece secured thereto, and the leg secured to the bridge-piece by a bolt and nut, as set forth. 5th. A table leg fastening, comprising a block secured to the under side of the table top, and a leg having a screw connection therewith, as set forth.

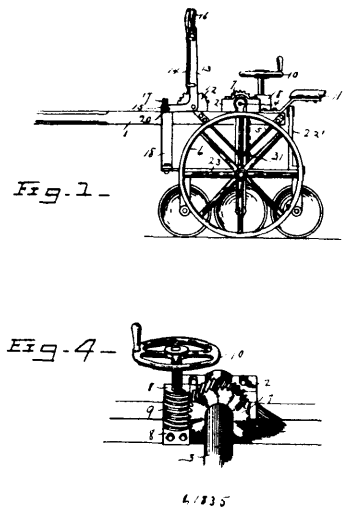
No. 61,834. Bee Hive. (Ruche.)



John F. Wessel, Kellogg, Iowa, U.S.A., 23rd November, 1898; 6 years. (Filed 5th November, 1898.)

Claim.—1st. In a bee hive, the parallel walls having rabbets at their inner top edges, moveable comb-frames supported by rabbeted walls and sections of a honey-board hinged to the said walls and a moveable honey-board section fitted between the hinged sections, arranged and combined as and for the purposes stated. 2nd. An improved bee hive comprising two parallel walls having rabbets at their top edges, sections of a honey-board hinged to the tops of said walls, a front wall having a bee passage, a moveable rear wall, a moveable partition, moveable frames, a removable section of a honey-board fitted between the said hinged sections and a removable top, arranged and combined as and for the purposes stated.

No. 61,835. Disc Cultivator. (Cultivateur.)

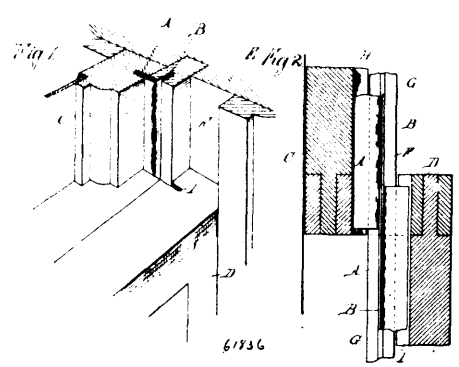


Andrew Lee Brock, Lockhart, Texas, U.S.A., 23rd November, 1898; 6 years. (Filed 5th November, 1898.)

Claim.—1st. In a disc cultivator, involving the combination of cultivator or plow beams, an arch with which said beams are adjustably connected, a second arch adjustable for width, and cultivator-discs adapted to be adjusted to any desired angle with the beams. 2nd. In a disc cultivator, the combination with an arch having laterally extending portions provided with a series of holes therein,

a second arch adjustable for width, beams connected to the ends of said second arch and to one of the openings in each of said laterally-extending portions of the first-mentioned archs, and cultivator-discs adjustably mounted upon said beams substantially as described. 3rd. In a disc cultivator, the combination with an arch having laterally-extending portions provided with a series of holes therein, a second arch adjustable for width, beams connected to the ends of said second arch and to one of the openings in each of said laterally-extending portions of the first-mentioned arch, a series of radially-corrugated lugs formed upon said beam provided with ratchet-teeth thereon, a series of forks held upon the lugs provided with similar teeth adapted to co-act with said ratchet-teeth, and a series of cultivator-discs held in said forks, substantially as described.

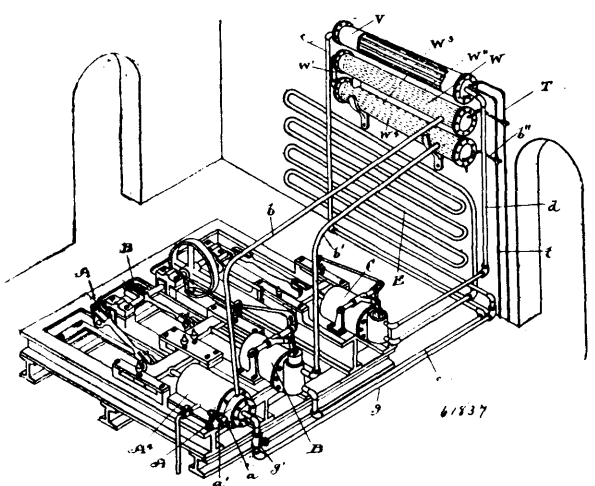
No. 61,836. Weather Strip. (Appareil réfrigérant.)



George W. Golden, Detroit, Michigan, U. S. A., 23rd November, 1898; 6 years. (Filed 2nd November, 1898.)

Claim.—1st. A weather strip comprising an angle bar formed of sheet metal each wing thereof being doubled, a weather strip formed of sheet metal bent centrally into an angle bar and having the end portion of each wing doubled upon itself to form a loop, one wing being adapted to engage in a groove in the window sash and the other to engage in the groove in the parting strip, the wing in the parting strip being so formed as to make a milling slot between the parts thereof. 2nd. A weather strip formed of two angle bars, joining at the meeting rails of the sash and each angle bar having a wing which engages a slot in the meeting rail and a laterally extending wing, the lateral wings upon the two sections extending in opposite directions. 3rd. In combination with a longitudinally grooved parting strip and an upper and lower sash having grooves in line with the outer face of the parting strip, of a weather strip formed of sheet metal bent to form an angle bar, each wing of the angle bar being looped, two sections being slotted and overlapping at the meeting rail of the sash, arranged substantially as and for the purpose described.

No. 61,837. Refrigerating Apparatus. (Appareil réfrigérant.)

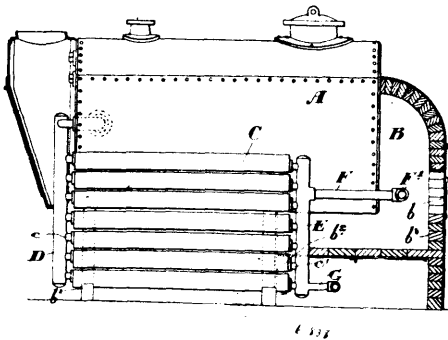


Charles H. Parshall, Detroit, Michigan, U.S.A., 23rd November, 1898; 6 years. (Filed 2nd November, 1898.)

Claim.—1st. A refrigerating apparatus embracing in its construction a driving shaft, a compressing cylinder, a piston in the cylinder, a pitman connecting the shaft and piston, an expanding cylinder in communication with the compressing cylinder having a piston

therein, and a pitman connecting the piston with the shaft, a condenser, and condenser pipes connecting the cylinders with the condenser, substantially as specified. 2nd. A refrigerating apparatus embracing in its construction a driving shaft, a compressing cylinder, a piston in the cylinder, a pitman connecting the shaft and piston, an expanding cylinder in communication with the compressing cylinder having a piston therein, a pitman connecting the piston with the shaft, a condenser, condenser pipes connecting the cylinders with the condenser, valves at the expanding cylinder having ports arranged in pairs on opposite sides, those on one side registering with the ports, in the expanding cylinders, and those on the opposite sides registering with the pipes, means for actuating the valves, and adjusting means for increasing or decreasing the extent of the movement of the valves, substantially as described.

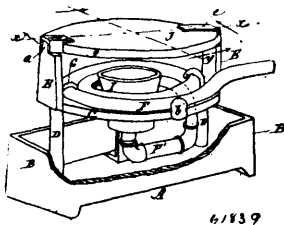
No. 61,838. Steam Boiler and Furnace.
(*Chaudière à vapeur et fournaise.*)



Samuel Fraser, Toronto, Ontario, Canada, 23rd November, 1898; 6 years. (Filed 25th May, 1898.)

Claim.—1st. In a steam boiler, the combination with the main boiler proper and furnace chamber, of the horizontal side tubes forming the side walls of the fire-box and suitable connections therefrom consisting of the inlet pipe of the boiler leading from the bottom thereof to the side tubes at one end and the discharge pipe leading from the side tubes into the boiler immediately below the water line, as and for the purpose specified. 2nd. In a steam boiler, the combination with the main boiler proper and furnace chamber, of the horizontal side tubes forming the side walls of the fire-box, the stand pipes at each end of the tubes connected by suitable branches to the ends of the tubes, the stand pipe at the back of the boiler being located in the furnace chamber and the branches thereof connected to the side tubes at the lower portion of the ends of the tube and the stand pipe at the front end of the boiler entirely outside the wall and connected to this end of the side tubes at the upper portion of the ends, a suitable inlet pipe connected to the rear end of the boiler near the bottom thereof, and to the stand pipe and a suitable branch or extension of the outer front stand pipe extending into the boiler immediately below the water line thereof, as and for the purpose specified.

No. 61,839. Hydro-Carbon Burner.
(*Foyer à hydro-carbures.*)

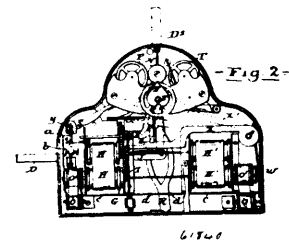
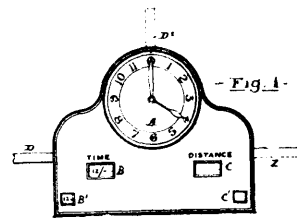


George C. Morgan, Chicago, Illinois, U.S.A., 23rd November, 1898; 6 years. (Filed 18th August, 1898.)

Claim.—1st. In combination with a base plate A provided with a raised guard or closed wall B, a coil or retort F, having an extension F' provided with an orifice *d*, a mixing funnel or tube I above the orifice and of increasing diameter from its lower towards its upper end, and a top plate or cover located above the funnel I. 2nd. In a burner, the combination of a base plate, a retort or vapourizer above said base plate, a mixing tube or funnel extending upward through the retort or vapourizer, and a closed guard with that of the lower end of the mixing tube or funnel. 3rd. In combination with a base plate and with a retort or vapourizer above said base plate, a mixing tube or funnel extending upward within said retort but separated therefrom, and a top plate above the retort, having a downwardly-turned rim or flange to direct the flame against the retort. 4th. The herein described burner, consisting of the follow-

ing elements in combination, a base plate A provided with a raised wall or guard B, a platform C raised above the base plate, a coil or retort F resting upon said platform, a delivery pipe F' extending downward from said retort and provided with a delivery orifice *d*, a mixing tube or funnel I located above the delivery orifice, extending upward within the coil F, and of increasing diameter toward its upper end, and a top plate or cover J, located above the coil and mixing tube and provided with a depending rim, all substantially as set forth.

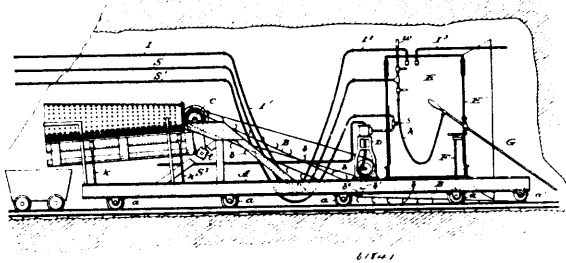
No. 61,840. Time and Distance Recorder.
(*Régistre de temps et distance.*)



James Ridge, Selborne, Hassocks, Thomas Mutton, King's Road, Brighton, and Horace Edwin Hupton, Farm Road, Brighton, all in England, 23rd November, 1898; 6 years. (Filed 20th July, 1898.)

Claim.—1st. In connection with an apparatus for indicating and recording fares for cabs and other vehicles the cam *h*, adapted to actuate the piston of a pneumatic pump by the revolution of the wheel of the vehicle. 2nd. In apparatus for indicating and recording fares for cabs and other vehicles the combination of a pneumatic pump, an inflatable air chamber *n*, the lever *o*, all for the purpose of causing the action of the wheel of the vehicle to effect the action of the clockwork mechanism used for the purpose of actuating the recording mechanism, substantially as described. 3rd. In apparatus for indicating and recording fares for cabs and other vehicles, the employment of a pneumatic pump constructed when the piston *j*, the spring *k*, the valve *l*, all in combination and arranged so that the piston *j*, shall be actuated by the cam *h*. 4th. In apparatus for indicating and recording fares for cabs and other vehicles, the combination of the clockwork mechanism substantially as described, the lever R, the arm J, the lever *z*, the chain I, the tape rollers HH', OO', the arms E', carrying the rollers E, all for the purpose of indicating the time the vehicle is occupied, the distance travelled during such occupancy the fare to be paid, and the total amount received during the day. 5th. In apparatus for indicating and recording fares for cabs and other vehicles, the combination of the lever R, the slide K, the drum M, all acted upon by moving the lever D, for the purpose of opening and closing the time and distance wickets for exposing the fares, substantially as described. 6th. In apparatus for indicating and recording fares for cabs and other vehicles, the combination of the slide K, the levers Y, V and V', and the lever S, acting upon the escape mechanism for releasing the rollers carrying the tapes, all for the purpose of setting the tapes to indicate the fares for the first portion of distance or time travelled. 7th. In apparatus for indicating and recording fares for cabs and other vehicles, the mechanism described by which the amount of fare to be paid is automatically increased according to the length of time the hirer of the vehicle is keeping the vehicle waiting for him, consisting of the combination of the clockwork mechanism, substantially as described, the lever *t*, with its arms *t*¹, *t*², and the inflatable chambers *n* and *n*¹, substantially as described. 8th. In apparatus for indicating and recording fares for cabs and other vehicles, consisting of rollers carrying tapes acted upon by clockwork mechanism which is controlled by the action of a pneumatic pump the application of additional rollers controlled by the same mechanism for the purpose of exposing at intervals a variety of advertisements. 9th. In apparatus for indicating and recording fares for cabs and other vehicles the arrangement of conical reversed rolls or cones connected together by a band and adjusted by a slide and screw to increase or diminish the speed of revolution for the purpose of adjusting the indicator of the apparatus in accordance with the varying circumferences of the wheels of different vehicles.

No. 61,841. Mining Apparatus. (Appareil de mine.)



George F. Kibling, Hanover, New Hampshire, U.S.A., 25th November, 1898; 6 years. (Filed 17th May, 1898.)

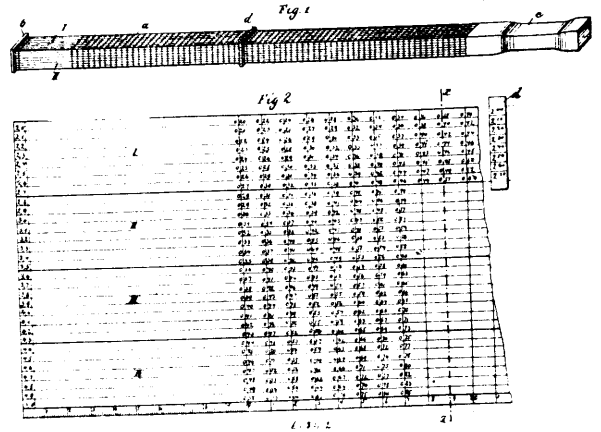
Claim.—1st. In an apparatus for excavating tunnels in naturally frozen soil, the combination with a bed or platform, an endless conveyor mounted on said platform, a wall or support attached to the platform to the rear of the front end of the endless conveyor, an excavating tool carried by the wall or support so as to project through the same, and a steam supply pipe connected to the tool. 2nd. In a mining apparatus for tunnelling in naturally frozen soil, the combination with a platform, an endless carrier mounted thereon, so that the forward portion thereof will be adjacent to the base of the tunnel, a chamber carried by the platform and positioned thereon to the rear of the forward portion of the endless carrier, and a tool connected with a source of heat through which the heating medium is ejected upon the soil, said tool extending through the front wall of the chamber and adapted to be operated from within the chamber, substantially as set forth. 3rd. In an apparatus for mining or tunnelling in naturally frozen soil, the combination with a platform or support, a chamber mounted thereon, and an excavating tool which is connected with a steam supply pipe, said tool being supported by the front wall of the chamber, the end beyond the chamber being of such a length that the tool can operate over an area larger than the area of the platform and parts carried thereby, substantially as shown. 4th. In a mining apparatus for excavating in frozen soil, the combination of a platform, a chamber mounted thereon, air and steam supply pipes extending within the chamber, the steam supply pipe being connected to a forward projecting rod which serves the purpose of an excavating tool by discharging the steam upon the frozen soil, a conveyor belt for taking the soil so excavated towards the rear of the platform, and an engine for operating the carrier belt, substantially as shown and for the purpose set forth. 5th. In an apparatus for mining or excavating frozen soil, consisting of a platform, an excavating tube through which steam is ejected upon said soil, an endless conveyor mounted on the platform, and wings or shields, the lower ends of which converge towards the endless carrier, substantially as shown. 6th. In an apparatus for mining in frozen soil, the combination of a movable platform having mounted thereon a suitably driven conveyor, a separator mounted on a platform adjacent to one end of the conveyor, said separator being actuated from the same source of power that operates the conveyor, a closed chamber carried by the platform, and a tube which extends through the chamber, said tube being of sufficient length to extend forward of the conveyor, a steam supply pipe connected with the tube and with the source of power which drives the conveyor, the steam being exhausted beneath the separator, substantially as shown and for the purpose set forth. 7th. In an apparatus for mining or tunnelling in frozen soil, the combination with an apparatus comprising a platform, means for manually moving the same, said platform carrying a chamber, engine, conveyor, separator and steam-ejecting pipe, organized or assembled as shown, an air supply pipe connected with the chamber, steam pipes, one connected to the excavating tube and the other with the engine, said engine having a pipe for conveying the exhaust steam therefrom to a point beneath the separator, for the purpose set forth.

No. 61,842. Measure. (Mesure.)

Max Levi, 60 Frankfurter Allee, Berlin, Prussia, 25th November, 1898; 6 years. (Filed 11th August, 1898.)

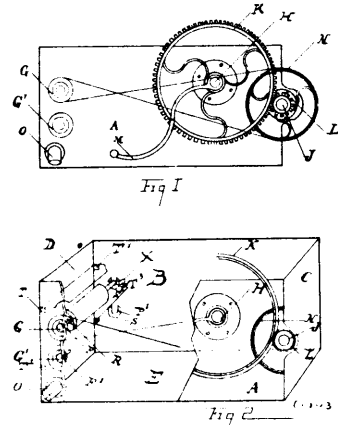
Claim.—A measuring tool or device for ascertaining the square or cubic contents of boards, floors, logs of wood or other objects presenting this characteristic feature, that a slide *d* containing the longitudinal measures, is so adjusted to the width of the boards or the like to be measured, and the stop-edge *b* of the tool *a* and the slide *d* each embrace one edge of the board or the like, in which operation the slide *d* adjusts itself opposite one of the figures

of the rows arranged upon the sides of the tape or rule shaped tool, of which figures the one adjacent to the longitudinal number of the



slide *d* indicates the square contents of the measured board, constructed and arranged, substantially as hereinbefore described.

No. 61,843. Butter Separator. (Séparateur pour le beurre.)



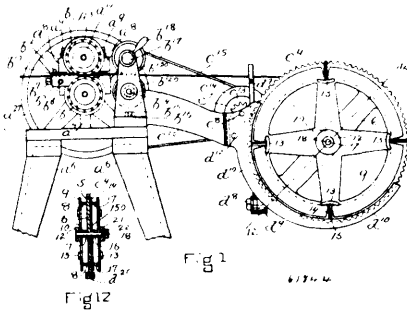
Albert Hamilton Bennett, Hamilton, Ontario, Canada, 25th November, 1898; 6 years. (Filed 14th September, 1898.)

Claim.—1st. A butter separator, comprising the four correspondingly opposite and parallel sides A, B, C, D, and bottom E, the two shafts F and F¹, with collars W, the pins R, the two grooved wheels G and G¹, the two shafts H and J, the two cogged wheels K and L, the grooved wheel N, operated handle M, the tap O, the bearings P and P¹, the pin X, the casing S, the four rests or brackets T, T¹, T², T³, the board U, having the churning roller or cylinder turned from a solid shaft of wood, the same being straight, plain and mounted on the steel or iron shaft, provided with the slot Q, all formed, arranged and combined, substantially as and for the purpose hereinbefore set forth. 2nd. In a butter separator, comprising the four correspondingly opposite and parallel sides A, B, C, D, and bottom E, the two shafts F and F¹, with collars W, and pins R, the two grooved wheels G and G¹, the two shafts H and J, the two cogged wheels K and L, the grooved wheel N, operated by the handle M, the tap O, the bearings P and P¹, the pin X, the casing S, the four rests or brackets T, T¹, T², T³, the board U, having a churning roller or cylinder turned from a solid shaft of wood, having a fluted face or surface, the flutings running lengthwise or angularly to the roller or cylinder, the said roller or cylinder being concaved at both ends, or cut and dressed at both ends at right angles with the face of the roller or cylinder, all formed, arranged and combined, substantially as and for the purpose hereinbefore set forth. 3rd. A butter separator, comprising the four correspondingly opposite and parallel sides A, B, C, D, and bottom E, the two shafts F and F¹ with the collars W, the pins R, the two grooved wheels G and G¹, the two shafts H and J, the two cogged wheels K and L, the grooved wheel N, operated by the handle M, the tap O, the bearings P and P¹, the pin X, the casings S, the four rests or brackets T, T¹, T², T³, the board U, having a churning roller turned from a solid shaft of wood, having turned in its surface from end to end, corrugations of a suitable depth and number, all formed, arranged and combined, substantially as and for the purpose hereinbefore set forth. 4th. A butter separator, comprising the four correspondingly opposite and parallel sides A, B, C, D, and

bottom E, the two shafts F and F¹ with the collars W, the pins R, the two grooved wheels G and G¹, the two shafts H and J, the two cogged wheels K and L, the grooved wheel N, operated by handle M, the bearings P and P¹, the pin X, the casing S, tap O, the four rests or brackets T, T¹, T², T³, the board U, having a churning roller or cylinder turned from a solid shaft of wood, having turned in its surface from end to end a series of discs with shoulders, mounted on a steel or iron shaft, all arranged, formed and combined, substantially as and for the purpose hereinbefore set forth.

No. 61,844. Nail Making Machine.

(Machine à faire le clous.)



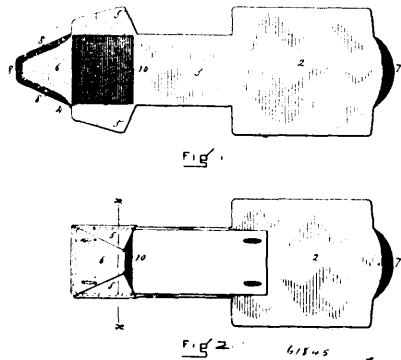
George Goddu, Winchester, Massachusetts, U.S.A., 25th November, 1898; 6 years. (Filed 25th October.)

Claim.—1st. In a machine of the character described, the combination of the following instrumentalities, viz:—a rotatable cutting-disc provided on its periphery with a plurality of substantially triangular recesses having inclined and transverse cutting edges of unequal length and extended from the circumferential edge of one face of the disc toward the other face of the said disc to form cutting-dies, and a co-operating cutting edge upon which rests the material cut, substantially as described. 2nd. In a machine of the character described, the combination of the following instrumentalities, viz:—a rotatable cutting-disc provided on its periphery with a plurality of substantially triangular recesses having inclined and transverse cutting edges of unequal length and extended from the circumferential edge of one face of the disc toward the other face of the said disc to form cutting dies, and a co-operating rotatable disc overlapping the first disc and having like cutting-dies with their cutting edges extended in an opposite direction from the cutting edges of the dies on the first-mentioned disc, substantially as described. 3rd. In a machine of the character described, the combination of the following instrumentalities, viz:—a rotatable cutting-disc provided on its periphery with a plurality of substantially triangular recesses having inclined and transverse cutting edges extended from the circumferential edge of one face of the disc toward the other face of the said disc, and a co-operating cutting edge upon which rests the material cut, and a guide for the ribbon or band extended toward and in close proximity to that die of the disc which is cutting the ribbon or band, substantially as described. 4th. In a machine of the character described, the combination of the following instrumentalities, viz:—a strip-cutting mechanism, rotatable reels, a reciprocating traverse provided with two strip guides co-operating with said reels, mechanism to rotate said reels and reciprocate said strip-guides, a tension mechanism controlling the rotation of said reels and the reciprocation of said traverse and its guides, and a straightening device intermediate of the strip-guides and cutting mechanism, substantially as described. 5th. In a machine of the character described, the combination of the following instrumentalities, viz:—a strip-cutting mechanism, a gear, reels secured to said gear to revolve therewith reciprocating strip-carrier co-operating with said reels, a main driving-shaft, a counter-shaft, gearing actuated by the counter-shaft to rotate said reels and strip-guide, and frictional mechanism driven from the main shaft and controlling the rotation of the counter-shaft and the said reels, and the reciprocation of the strip-guide, substantially as described. 6th. The combination with a rotatable cutting-disc provided on its periphery with a plurality of substantially triangular recesses having inclined and transverse cutting edges, of a co-operating rotatable cutting-disc overlapping the cutting edge of the first mentioned disc and provided with substantially triangular recesses having inclined and transverse cutting edges extended in an opposite direction from the cutting edges of the first-mentioned disc, means to rotate said discs and an adjustable guide co-operating with said discs, substantially as described. 7th. In a machine of the character described, the combination of the following instrumentalities, viz:—a rotatable cutting-disc provided on its circumferential edge with dies, a co-operating cutting-disc having on its circumferential edge co-operating but reverse dies, shafts on which said discs are mounted, gears on said shafts in mesh with each other and longitudinally adjustable thereon, bearings for said shafts, one of which is adjustable radially with relation to the other, and a guide for the ribbon or band co-operating with the cutting discs, substantially as described. 8th. In a machine of the

character described, the combination of the following instrumentalities, viz:—a rotatable cutting-disc provided on its circumferential edge with dies, a co-operating cutting-disc having on its circumferential edge co-operating but reverse dies, shafts on which said discs are mounted, gears on said shafts in mesh with each other and longitudinally adjustable thereon, bearings for said shafts, one of which is adjustable radially with relation to the other, and an adjustable guide for the ribbon or band co-operating with the cutting-discs, substantially as described. 9th. In a machine of the character described, the combination of the following instrumentalities, viz:—the rotating circular cutting-discs A³, A⁴ having their peripheries substantially in contact and provided with the dies B reversely arranged on the peripheries of said discs at the circumferential edges of the opposite sides of said discs and provided with substantially long inclined cutting edges b¹ and substantially short transverse cutting edges b², which co-operate to cut the metal ribbon, and the stationary guide b³ provided with a guideway or substantially the same area in cross-section as the ribbon or band to be cut and having a bottom upon which the ribbon or band rests and uprights side walls which embrace the sides or edges of the ribbon or band, and which bottom and side walls are extended close up to the active cutting-dies of the discs A³, A⁴ to impart to the guide b³ the function of a support for the ribbon or band and thereby enable a narrow ribbon or band to be cut into duplicate string-nail strips, substantially as described. 10th. In a machine of the character described, the combination of the following instrumentalities, viz:—a strip-cutting mechanism, reels upon which the said strips are wound, a reciprocating lever provided with two strip-guides co-operating with said reels, and a tension mechanism controlling the rotation of the said reels and the reciprocation of the said lever and attached guides, substantially as described. 11th. In a machine of the character described, the combination with discs having circumferential cutting-dies of uniform length, and with cutting edges reversely arranged, of means to rotate said discs in opposite directions, and an adjustable guide having adjustable fingers, substantially as described.

No. 61,845. Wrapper for Cuffs, Collars, etc.

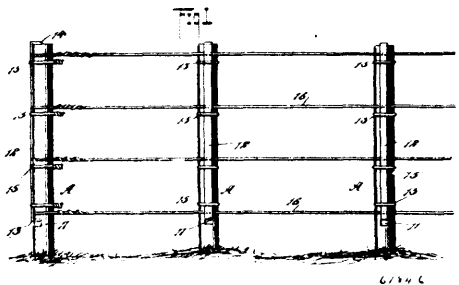
(Enveloppe pour collets, poignets, etc.)



Don Irving Petts, Keene, New Hampshire, U.S.A., 25th November, 1898; 6 years. (Filed 24th October, 1898.)

Claim.—A wrapper for cuffs and the like, having a pocket at one end and side wings at the other, an intermediate part 3, having the width of the pocket and connecting it to an end piece 2, the inside of said pocket consisting of a stiffening-piece 10, attached to and secured in the main portion of the said pocket and adapted to be rolled with the wrapper on the interior of the cuff, and means for fastening the package in the form of a roll, substantially as described.

No. 61,846. Fence Post. (Poteau de clôtures.)



Arphad Snell, Tice, Illinois, U.S.A., 26th November, 1898; 18 years. (Filed 3rd November, 1898.)

Claim.—1st. A clay fence post provided with a series of transverse notches and opening below the lowermost notch, a binding

strip crossing the notches in the post, the said binding strip being provided with a flange at its lower end which enters the said opening in the post, and a flange at its upper end which engages with the top of the post, and clamps securing the binding strip to the post, as and for the purpose specified. 2nd. The combination of a fence post, a binding strip running longitudinally along the outside of the fence post and adapted to clamp the wires between the post and the strip, and means encircling the binding strip and the post and serving to hold the strip rigidly in place. 3rd. The combination of a fence post provided with a series of notches respectively adapted to receive the fence wires, the post also having an opening at its lower portion, a binding strip located outside of the post and serving to hold the wires rigidly together in the notches, the lower end of the binding strip being bent inwardly into the opening in the lower portion of the post, and means encircling the binding strip and the post to hold the binding strip in place.

No. 61,847. Storage Battery. (Batterie secondaire.)

Henry Blumenberg, Wakefield, New York, U.S.A., 26th November, 1898. 6 years. (Filed 16th September, 1898.)

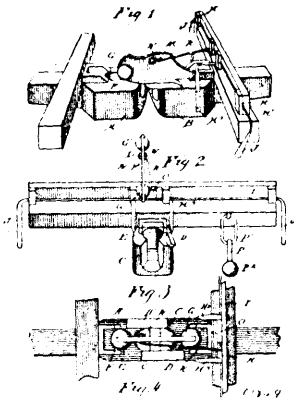
Claim.—1st. In a storage or secondary battery, having positive and negative elements of different metals, an electrolytic solution containing a metallic sulphate, substantially as specified. 2nd. In a secondary or storage battery, containing two metallic elements of different polarity, an electrolytic solution containing ter-sulphate of aluminum, substantially as set forth. 3rd. In a secondary or storage battery, containing two metallic elements of different polarity, an electrolytic solution containing ter-sulphate of aluminum and bi-sulphate of an alkali or alkaline earth, such as potassium, sodium or ammonia, substantially as specified.

No. 61,848. Electric Battery. (Pile électrique.)

Henry Blumenberg, Wakefield, New York, U.S.A., 26th November, 1898. 6 years. (Filed 16th September, 1898.)

Claim.—1st. In a primary battery, the combination with the positive and negative elements, of an electrolytic liquid containing an aluminum ter-sulphate, substantially as and for the purposes set forth. 2nd. The primary battery, containing positive and negative elements, and a lead per-oxide, an electrolytic liquid containing aluminum ter-sulphate and a sulphate of a metal of the alkalies or alkaline earths, substantially as set forth. 3rd. The primary battery, containing positive and negative elements and a metallic per-oxide, an electrolytic liquid containing aluminum ter-sulphate and a sulphate of a metal of the alkalies or alkaline earths, substantially as set forth.

No. 61,849. Car Coupler. (Attelage de chars.)

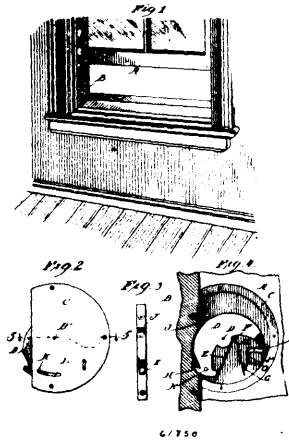


Stephen Reynolds, Northfield, Minnesota, U.S.A., 26th November, 1898; 6 years. (Filed 17th October, 1898.)

Claim.—1st. In a car coupling, the combination of the coupling-car, provided with a slot extending lengthwise of the bar and inclined outward towards the rear, a cross-beam secured to the draw-head, a cross-bar pivoted to the cross-beam, handles on the ends of said cross-bar, at the sides of the car, and an arm projecting outward from said cross-bar over the draw-head, provided with an angular end pivotally secured in the slot of the coupling bar, substantially as described. 2nd. In a car coupling, the combination of the coupling bar, provided with a slot extending lengthwise of the bar and inclined outward towards the rear, a cross-beam secured to the draw-head, a cross-bar pivoted to the cross-beam, handles on the ends of said cross-bar, at the sides of the car, an arm projecting outward from said cross-bar over the draw-head, provided with an angular end pivotally secured in the slot of the coupling bar, and a bracket secured to the cross-beam above the cross-bar, the cross-bar being also slidable in its bearings to permit of the engagement of the projecting arm, behind the bracket, when raised, substantially as described. 3rd. A car coupling comprising the draw-bars, having inner circular chambers and outer semi-circular chambers in their

upper faces, connected by channels or notches, in combination with a suspended coupling bar provided with substantially semi-circular knobs on each side of each end, adapted to engage in the chambers, and brackets connected to each draw-bar and adapted to ride over the top of the opposite draw-bar, substantially as described.

No. 61,850. Window Lock. (Serrure de feuitres.)

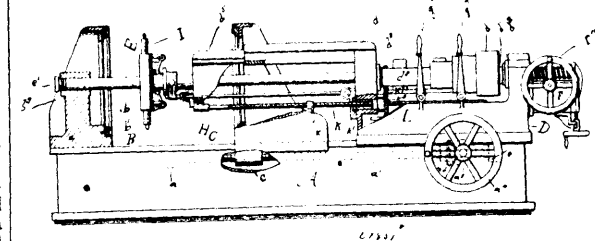


William A. Coulson, Moss Point, Mississippi, U.S.A., 26th November, 1898; 6 years. (Filed 17th October, 1898.)

Claim.—1st. The combination of a window sash and frame with a plate eccentrically pivoted to the sash, and a spring operating to press the plate in the direction of the sash, whereby the eccentric will bear with the spring pressure only against the sash in raising it, but oppositely against it when an attempt is made to lower it, substantially as described. 2nd. The combination of a window sash and frame, with a plate eccentrically pivoted to the sash and projecting therefrom in contact with the frame, the spring pressing the lower end of the plate towards the sash, and a spring belt securing the eccentric in its locked position, substantially as set forth. 3rd. The combination of the window sash and frame with a lock plate secured to the frame and provided with a suitable socket, a plate eccentrically pivoted to the sash and having a hook to engage in said socket and a spring bolt adapted to engage in the socket in the eccentric to fasten it in its locked position, substantially as set forth. 4th. The combination of a window sash and frame, with a plate eccentrically pivoted to the sash, a spring for normally holding the eccentric in contact with the sash, and a knob projecting from the eccentric through a slot in the casing whereby the eccentric may be moved against the action of the spring, substantially as set forth. 5th. The combination of a window sash and frame, with a plate eccentrically pivoted to the sash, a spring normally holding the eccentric in contact with the sash, and rollers pivoted to the eccentric and projecting beyond its outer edge to come into contact with the sash, substantially as described.

No. 61,851. Cask Cleaning Machine.

(Machine à nettoyer les futailles.)

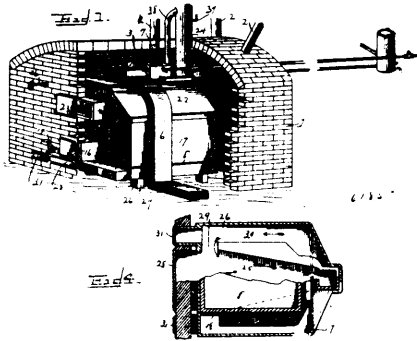


Charles Liebmann, Kline, New York, U.S.A., 26th November, 1898; 6 years. (Filed 28th October, 1898.)

Claim.—1st. In a machine, cutter carriers or tool carriers mounted in a rotary cutter-head, in combination with means constructed and arranged to automatically move the said cutter-head forward and back. 2nd. In a machine, cutter-carriers or tool carriers mounted in a rotary cutter-head, in combination with means constructed and arranged to move the same manually in and out, and with means constructed and arranged to automatically move the said cutter head forward and back, and also with means constructed to automatically stop the rearward movement of said cutter-head. 3rd. In a machine, a stationary head and a movable head, a rotary cutter-head, means to automatically move the same forward and back, in

combination with a shaft, and also with means to manually actuate the said shaft in a forward or in a rearward direction. 4th. In a machine, a stationary head, and a movable head, a rotary cutter-head, means to automatically move the same forward and back, in combination with a shaft, and also with means to manually actuate the said shaft in a forward or in a rearward direction, and also with means constructed and arranged to automatically stop the rearward movement of said cutter-head. 5th. In a machine, a stationary head, and a movable head, a rotary cutter head, and means to move the movable head forward and back, in combination with means to rotate the cutter-head and automatically move the same in a forward and in a rearward direction. 6th. In a machine, a stationary head, and a movable head, a rotary cutter-head, means to move the movable head forward and back, in combination with means to rotate the cutter-head and automatically move the same in a forward and in a rearward direction. 7th. In a machine, a stationary, and a movable head, a rotary cutter-head, means to move manually in and out, means to move the movable head forward and back, in combination with means to rotate the cutter-head and automatically move the same in a forward and in a rearward direction. 8th. In a machine, a stationary and a movable head, a rotary head, tools therefor, means to move the same manually in and out, means to move the movable head forward and back, in combination with means to rotate the cutter-head and automatically move the same in a forward and in a rearward direction, and also with means constructed and arranged to automatically stop the rearward movement of said cutter-head. 9th. In a machine, a fixed head, a movable head, cutter-carriers or tool-carriers mounted in a rotary cutter-head, in combination with means constructed and arranged to move the same manually in and out, and with means constructed and arranged to automatically move the said cutter-head forward and back. 10th. In a machine, a stationary head, and a movable head, a rotary cutter-head, means to automatically move the same forward and back, in combination with a shaft, and also with means to manually actuate the said shaft in a rearward or forward direction, also with mechanism for moving one of the bearings of said shaft to or from the same at will.

No. 61,852. Hot-Air Furnace. (Fournaise à air chaud.)

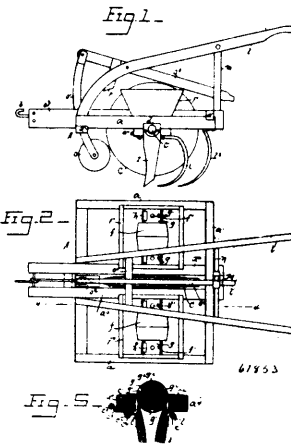


Alfred B. Blasse, Frostburg, Maryland, U.S.A., 26th November, 1898; 6 years. (Filed 2nd November, 1898.)

Claim.—1st. A furnace, having an inclosing compartmental casing interiorly divided by a transverse vertical partition 9, the furnace proper extending in front and in rear of the plane of said partition and having its fire-box in communication directly and indirectly with a flue extending through the rear compartment of the casing, and said furnace also having a dome covering its fire-box, an air-supply conductor extending from a point outside of the casing contiguous to the bottom of the furnace and terminating in an outlet located within the casing contiguous to and in front of said partition, and an open-topped moisture-distributing reservoir arranged above the furnace in rear of and contiguous to the plane of the partition and between the same and said flue, and provided with suitable supply and relief conductors, the reservoir being located above the rear portion of the furnace proper, contiguous to the dome thereof, substantially as described. 2nd. A furnace, having an inclosing casing forming air-chambers, and distributing-pipes in communication therewith, the furnace proper being provided with side and bottom radiating-surfaces and means for supplying air, including a conductor entering the casing at its bottom, extending upward out of contact with said radiating-surfaces and discharging above the furnace proper, substantially as specified. 3rd. A furnace, having an inclosing casing provided with supply and distributing conveyors, the furnace proper, comprising a combustion-chamber and inclosing drum communicating directly and indirectly with a smoke-flue, said drum having a domed shell forming radiating-surfaces, a base and a spaced sub-base forming connected conductors in communication with a smoke-flue, and draft-spaces between the walls of the combustion-chamber and the walls of the shell, sub-

stantially as specified. 4th. A furnace, having an inclosing casing provided with supply and distributing conveyors, the furnace proper, comprising an open-topped fire-box, a drum having a base supporting the fire-box and forming the floor of an ash-pit under the fire-box, a drum-shell supported by the said base and surrounding the fire-box, with its walls spaced therefrom, the interior of the shell being in communication by a direct-draft opening with a smoke-flue, and said drum also having a sub-base spaced from the base and divided by interior partitions to form a central conductor in communication with the smoke-flue below said direct-draft opening, and side conductors in communication with the side spaces between the fire-box and the walls of the shell, and connected with the central conductor at points remote from the smoke-flue, substantially as specified. 5th. A furnace, having an inclosing casing provided with supply and distributing conveyors, the furnace proper, comprising an open-topped fire-box, a base supporting the fire-box and forming the bottom of the ash-pit therefor, said base being of greater area than the fire-box, a sub-base spaced from the base and having the intervening interval divided by partitions to form a central conductor, and side conductors communicating with the central conductor at their front ends, a shell supported by the base with its sides spaced from the walls of the fire-box to form chambers communicating through openings in the base with said side conductors, a smoke-flue communicating with the rear end of the central conductor, a dampered direct-flue opening connecting the interior of the shell above the fire-box with the smoke-flue, a draft-damper in the smoke-flue above the plane of the direct-draft opening, and a gas-escape tube connecting the interior of the shell with the smoke-flue above the draft-damper, substantially as specified.

No. 61,853. Plough Planter and Cultivator. (Charrue.)

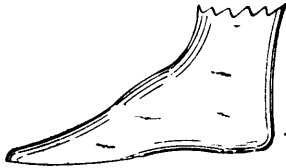


Charles H. Whitney, Cookeville, Tennessee, U.S.A., 26th November, 1898; 6 years. (Filed 2nd November, 1898.)

Claim.—1st. In a machine of the class described, the combination of a frame, a wheel supporting said frame, axles carried by the wheel and journaled in bearings the outer ones of which are laterally removable whereby the ends of the axle may be free, seed-rings slidably adjustable and removably mounted on the axles, seed-hoppers above the rings, and drills at said rings adjustably secured to the frame, substantially as set forth. 2nd. In a machine of the class described, the combination of a frame, a wheel supporting said frame, axles carried by the wheel and journaled in bearings the outer ones of which are laterally removable whereby the ends of the axle may be free, seed-rings adjustably and removably mounted on the axles, seed-hoppers above the rings having deflectors and brushes as described, and drills having concaved upper ends located at the rings, said drills being adjustably and removably secured to the frame, substantially as set forth. 3rd. In a machine of the class described, the combination of a frame, a wheel supporting said frame, axles carried by the wheel and journaled in bearings the outer ones of which are laterally removable whereby the ends of the axles may be free, seed-rings mounted on the axles to be adjusted and removed longitudinally thereof, each seed-ring having seed-cups and set-screws therein to adjust the depth thereof, seed-hoppers above the rings, drills at said rings, covers at the rear of the drills, and means for adjustably and removably attaching said drills and covers to the frame to permit of vibration, substantially as described. 4th. In a machine of the class described, the combination with a frame carrying transverse rods, of a drill provided at its upper end with a hook slidably and removably connected with one of the rods, a plate slidably connected with the other rod and carrying a set-screw and staple, an eye on the drill engaging the staple, and a break-pin for the latter, substantially as described. 5th. In a machine of the class described, the combination with a frame and a single supporting-wheel therefor, of a caster-wheel in advance of the aforesaid wheel, a lever for elevating and depressing said wheel as described, and means for locking the lever in its positions, substantially as set forth. 6th. In a machine of the class described, the

combination with a frame and a single supporting-wheel therefor, of a caster-wheel in advance of the aforesaid wheel, carried by an arm, a lever connected to said arm, a brake-shoe carried by the lever and adapted to be brought into engagement with the supporting-wheel when the caster-wheel is depressed, and means for locking the lever consisting of a slotted guide having offsets provided with inclined sides, substantially as described.

No. 61,854. Process of Treating Foot-wear.
(*Procédé pour le traitement des chaussures.*)

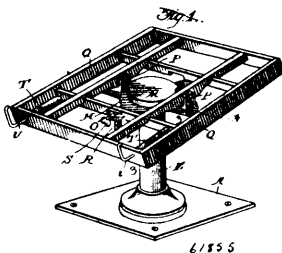


61854

Milton P. Fralick, Niagara Falls, South Ontario, Canada, 26th November, 1898; 6 years. (Filed 8th November, 1898.)

Claim.—1st. The process herein described for absorbing and extracting the moisture from foot-wear consists of inserting a block, in the form of a last and of suitable temperature into the interior thereof, said last or block possessing the nature and properties described, which consists of terra cotta, or material of like absorbent nature. 2nd. The process of absorbing and extracting all moisture, dampness and impurities from foot-wear consists of inserting a last or block, whilst in its natural state or heated to a sufficient temperature to handle, and possessing the absorbent nature and properties described, into a boot or other foot-wear, as described.

No. 61,855. Book Support. (*Support de livres.*)



61855

Louis Allen Mayo, Clifton Hill, Missouri, U.S.A., 26th November, 1898; 6 years. (Filed 17th October, 1898.)

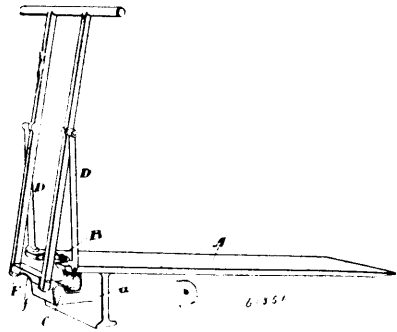
Claim.—1st. In an adjustable book support the combination of a base adapted to be rigidly secured to a table, counter or desk, a pedestal rotatably mounted thereon, a top or head carried by the pedestal, a tilting frame pivotally mounted thereon, and means for securing it in any tilted position, as set forth. 2nd. In combination, the base, the headed square bar rising therefrom, the bushing thereon, the pedestal mounted to turn on the bushing having base carried on the main base by ball bearings, the top or head of the pedestal, the head screwed on the top of the square bar and supported upon the pedestal head by ball bearings, and the tilting frame pivoted to the pedestal head, substantially as described. 3rd. In combination, the base, the headed square bar rising therefrom, the bushing thereon, the pedestal mounted to turn on the bushing having base carried on the main base by ball bearings, the top or head of the pedestal, the head screwed on the top of the square bar and supported upon the pedestal head by ball bearings, the concentric threaded flange projecting upward from the pedestal head, and the cap threaded thereon, substantially as described. 4th. The combination of the rotatable pedestal, its head provided with radial arms N, N, O, O, the tilting frame pivoted in lugs on arms N, N, the adjusting pins slidably mounted in vertical openings through arms O, O, and bearing under the tilting frame at opposite sides of its pivots, and the thumb-screws for securing the pins, substantially as described. 5th. The combination with the tilting frame of tubes secured therein, rods slidably mounted in said tubes and having hooked ends projecting over the end of the frame in position to clamp a book thereon, and the thumb-screws for securing the hooked rods in any described adjustment, substantially as described.

No. 61,856. Boot Jack. (*Tire-botte.*)

Hans Jakobsen, Hawthorne, Ontario, Canada, 26th November, 1898; 6 years. (Filed 27th October, 1898.)

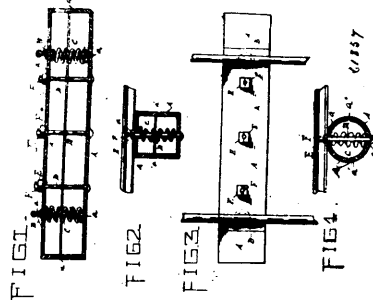
Claim.—1st. As a new article of manufacture, a boot jack comprising the base board having a recess in the forward end of a

pressure plate connected to the base board and means for adjusting position of such plate and holding it over the toe of the boot as and



for the purpose specified. 2nd. As a new article of manufacture, a boot jack comprising the base board having a recess in the forward end thereof, a supporting bracket for the heel of the boot located beneath the said recess and a pressure plate connected to the base board and means for adjusting position of such plate and holding it over the toe of the boot as and for the purpose specified. 3rd. As a new article of manufacture, a boot jack comprising the base board having a recess in the forward raised end thereof, a supporting bracket located beneath the said recess, standards secured to the base board, a lever pivoted between the upper ends of the standards and a pressure plate located near the ends of said lever, as and for the purpose specified.

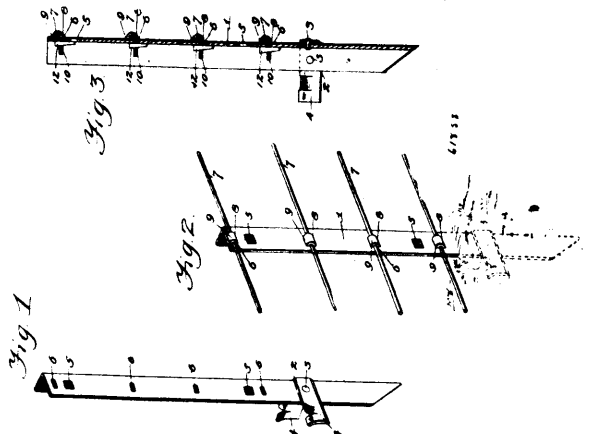
No. 61,857. Metallic Railway Tie.
(*Traverse métallique de chemin de fer.*)



William Thomas Wilkinson, Lafayette, Colorado, U.S.A., 26th November, 1898; 6 years. (Filed 24th October, 1898.)

Claim.—1st. A railway-tie formed of two opposing, hollow one piece sections overlapping at their edges to permit of vertical play springs arranged between the sections, and vertical tie-bolts adjustably and detachably connecting said sections, substantially as described.

No. 61,858. Fence Post. (*Poteau de clôtures.*)

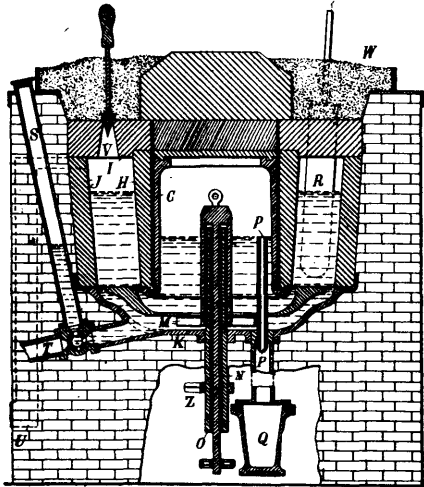


Cyril B. Lombard, Darien Center, New York, U.S.A., 26th November, 1898; 6 years. (Filed 17th October, 1898.)

Claim.—1st. The combination with the right angular post 1 formed with the horizontal parallel slots 6 6, and the right angular horizontal

brace 2 fixed to said post and having a slitted upper and a bevelled lower edge, the clamps 8, formed with the hook 9 and slot 10, and the retaining key 12, substantially as shown and described. 2nd. A metallic fence post formed of a single piece of L-shaped angle iron and the rigid right angular anchor brace 2 horizontally fixed thereto and having its lateral arms 4 4, slitted and the intervening solid portions turned in opposite directions, substantially as shown and described.

No. 61,859. Electrolysis. (Electrolyse.)



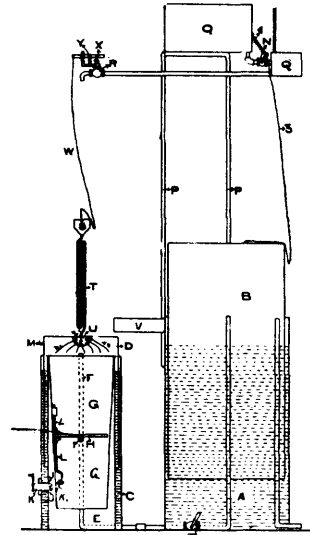
61859

Charles Ernest Acker, East Orange, New Jersey, U.S.A., 26th November, 1898; 6 years. (Filed 6th June, 1898.)

Claim.—1st. The process of making an alloy of heavy metal such as lead, tin, zinc, etc., with a metal of an alkali or of an alkaline earth consisting in reducing the heavy metal in a molten state, and employing it as a cathode electrolytically decomposing a fused salt of the metal of an alkalia or of an alkaline earth, while superimposed upon the heavy metal, removing the resulting alloy from the region of the electrolyte, subsequently permitting its different portions to stratify, and flowing off the lighter portion from the surface, substantially as specified. 2nd. The process of making an alloy of a heavy metal such as lead, tin, zinc, etc., with a metal of an alkali or of an alkaline earth, consisting in reducing the heavy metal to a molten state, and employing it as a cathode, electrolytically decomposing a fused salt of the metal of an alkali or of an alkaline earth while superimposed upon a heavy metal, removing the resulting alloy from the region of the electrolyte, subsequently permitting its different portions to stratify and returning the heavier portion to the point where it takes up the lighter metal, substantially as specified. 3rd. The process of making an alloy of a heavy metal such as lead, tin, zinc, etc., with a metal of an alkali or of an alkaline earth, consisting in reducing the heavy metal to a molten state and employing it as a cathode, electrolytically decomposing a fused salt of the metal of an alkali or of an alkaline earth, while superimposed upon the heavy metal, circulating the cathode metal in a stream past the anode or anodes into another chamber and automatically removing a portion of the metal when the metal rises above a certain height, substantially as specified. 4th. The process of making an alloy of a heavy metal such as lead, tin, zinc, etc., with a metal of an alkali or of an alkaline earth, consisting in reducing the heavy metal to a molten state and employing it as a cathode, electrolytically decomposing a fused salt of the metal of an alkali or of an alkaline earth while superimposed upon the heavy metal, circulating the cathode metal in a stream past the anode or anodes into another chamber, removing a portion of the metal from near the bottom of said chamber and returning it to the circulation, substantially as specified. 5th. In an apparatus for electrolytically decomposing fused salts, the combination of a covering for said apparatus provided with an opening or openings for receiving an anode and for feeding a salt, a body of salt resting on said covering partly closing said openings, and a molten metallic cathode. 6th. In an apparatus for the electrolytic manufacture of an alloy from a heavy metal such as lead, tin, zinc, etc., with a metal of an alkali or of an alkaline earth, the combination with an anode of a cathode composed of the heavy metal, a chamber with which the metal of the cathode is in fluid communication sealed against access of the electrolyte, into which the alloy rises, means for automatically removing the alloy from the chamber when it exceeds the desired level, and a circulating device arranged to direct the surface flow of the molten metal transversely below the electrolyte, substantially as specified. 7th. In an apparatus for the electrolytic manufacture of an alloy from a heavy metal such as lead, tin, zinc, etc., with a metal of an alkali or of an alkaline earth, the combination with an

anode of a cathode composed of the heavy metal, a chamber with which the cathode metal is in fluid communication and which is sealed against access of the electrolyte, a circulating device, a pan or partition immersed in the cathode metal slightly below the true cathode surface, and having an extension or continuation toward the circulating device, openings or channels being provided in or partly formed by said pan or partition and its extension, whereby the molten metal may flow underneath and over the same, substantially as specified.

No. 61,860. Acetylene Gas Generator. (Générateur de gaz acétylène.)



61860

Harold Bruce Findlay, Rossland, British Columbia, Canada, 26th November, 1898; 6 years. (Filed 22nd July, 1898.)

Claim.—1st. The combination of the bucket G, placed within the inner compartment of a walled generator with a grating H, crank connection K, K, J, and connecting rod L, substantially as and for the purpose hereinbefore set forth. 2nd. The combination of the valve R, with a spring Y, and chain W, attached to funnel S, the lever X, substantially as and for the purpose hereinbefore set forth. 3rd. The combination of the vessel U, with the perforations T, and the wires T², substantially as and for the purpose hereinbefore set forth. 4th. The combination of the tank Q, and the valve N, on a pipe entering the tank Q, with the spring 4, and a chain 3, attached to the lever of the valve N, and the receiver B, substantially as and for the purpose hereinbefore set forth.

No. 61,861. Method of Separating Precious Metals from their Ores. (Méthode de séparer les métaux des minerais.)

Gustaf M. Westman, New York City, New York, U.S.A., 26th November, 1898; 6 years. (Filed 4th August, 1898.)

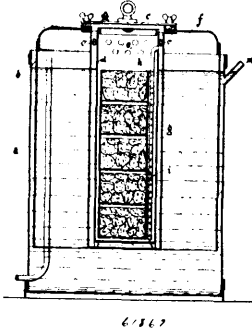
Claim.—1st. The herein described method of separating precious metals from their ores, consisting in first melting the ores to form a molten mass or slag, and then subjecting this mass to the section of jets of fluid to form mineral wool, to divide the precious metal into minute particles which collect on and adhere to the mineral wool, and then subjecting the mineral wool to a leaching process, to separate the precious metal and wool, substantially as shown and described. 2nd. The herein described process of separating precious metals from their ores, consisting in first reducing the ore with a flux in a furnace to form a molten mass, then subjecting the flowing molten mass to the action of jets of fluid, to form mineral wool and cause the precious metals to collect or adhere in a finely divided state or minute particles on said wool, and finally separating the wool and the precious metals, substantially as shown and described.

No. 61,862. Acetylene Gas Machine. (Machine à gaz acétylène.)

Henrich Daut, Nuenberg, Solgerstrasse 6, Bavaria, 26th November, 1898; 6 years. (Filed 8th August, 1898.)

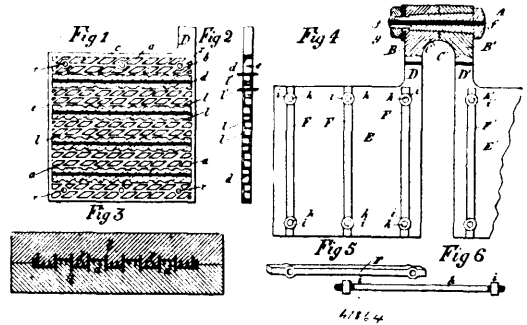
Claim.—1st. An apparatus for the development and collection of acetylene gas characterized by the employment of a carbide vessel

b, sitting in the gas reservoir *f*, with single cells *h*, lying over each other which according to need, receives water from below through



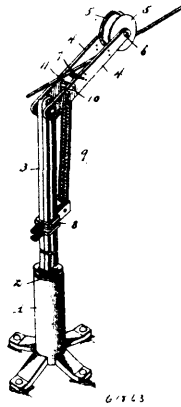
contact, a bracket on the swivel post, and a spring connecting between the said bracket and the arms to lift the latter, substantially as described

No. 61,864. Storage Battery. (Pile électrique.)



a tube *i*, which stands with its mouth below, the surface of the water when the reservoir rises, and thus regulates its flow of water without valve or any such contrivance.

No. 61,863. Trolley Pole. (Perche de trolley.)



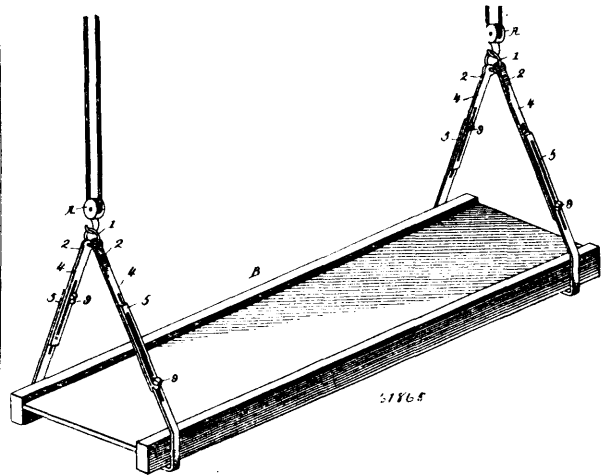
Samuel Walter Hart, Oakdene, Woodford, and Edward James Clark, Crispin's Wharf, Stratford, Essex, England, 26th November, 1898; 6 years. (Filed 23rd August, 1898.)

Claim.—1st. In a secondary battery or accumulator, the latticed plate or grid, holding active material, with an alternating cellular structure *d*, figures 1 and 2, and open grid *e* formed by intersecting diagonal and lateral bars, in combination with lugs *l* which are closed by pressing, and holes *r*, substantially as and for the purpose as hereinbefore set forth. 2nd. The combination of plates *E*, as referred to in the preceding claim, with separators *K*, insulating studs *h*, and nuts *i*, substantially as and for the purpose as hereinbefore set forth. 3rd. The combination of plates *E*, as described, with a bridge *B*, boss *C*, and taper-screwed bolt *g* having a central conducting core *f*, substantially as and for the purposes hereinbefore described. 4th. The combination of plates *E*, having lugs *l*, figures 9-11 and 13 sheet 2, with a perforated envelope *G* held in place by rods *m*, substantially as and for the purposes hereinbefore described.

No. 61,865. Scaffold Hanger. (Porte-échafaud.)

John N. Prisk, Johnstown, Pennsylvania, U.S.A., 26th November, 1898; 6 years. (Filed 18th August, 1898.)

Claim.—1st. The combination with a suitable support and trolley, of means for retaining the trolley in contact with the wire either from above or from below, substantially as specified. 2nd. The combination with a suitable support and trolley, of mechanism for retaining the trolley in contact with the wire from above under pressure, and means for automatically dropping the trolley below the wire and for urging it against the under side of said wire, substantially as specified. 3rd. The combination with a support and trolley, of means for automatically shifting said trolley above and below the wire to accommodate the variations of elevation of the latter, substantially as specified. 4th. The combination with a support and trolley, of means for shifting said trolley both above and below the wire, and for retaining it in contact with said wire from above or below under pressure, substantially as specified. 5th. In a trolley pole, two pivoted arms, a trolley-wheel consisting of two independent discs adapted to normally abut against each other, and means for holding said discs in connection, whereby said wheels may be separated so as to be positioned above the conductor wire, substantially as shown. 6th. In a trolley pole, a swivel post, arms pivoted thereto, consisting of two separate sections, a spring for holding said sections normally in contact, and a spring bearing against the arms to lift the same whereby the said sections of the trolley-wheel may be separated to enable said wheel to take position above the conductor wire, substantially as described. 7th. In a trolley pole, a socket having a swivelled post, an adjustable bracket upon said post, swinging arms secured to said post, and a spring bearing against a plate carried by said arms and against said bracket. 8th. In a trolley pole, the combination of a swivel post, two arms pivoted thereto and extending parallel to each other, a trolley-wheel consisting of two separable discs, one rotatably mounted on each arm, a spring engaging said arms to normally hold the discs in



Charles H. Bowie, Lisbon Falls, Maine, U.S.A., 26th November, 1898; 6 years. (Filed 17th September, 1898.)

Claim.—In a scaffold hanger, the combination with a platform having depending side rails, of inclined supporting arms therefor comprising slotted sections slidable upon each other, each section carrying a threaded pin which extends through the slot of the adjacent section and receives a clamping nut, the lower sections having vertical hooks formed on their inner sides to engage the side rails of the platform, and a ring connecting the upper sections, substantially as described.

TRADE-MARKS

Registered during the month of November, 1898, at the Department of Agriculture—
Copyright and Trade-Mark Branch.

6658. ALFRED NATHAN, Montreal, Que. A Preparation for killing Vermin, 2nd November, 1898.
6659. THE GROCERS' GOODS MANUFACTURING COMPANY, LIMITED, Toronto, Ont. Soap, 2nd November, 1898.
6660. THE LAURENTIDE PULP COMPANY, LIMITED, Grand Mere, Que. Mechanical Wood Pulp, Chemical Wood Pulp and Wood Pulp Boards, 4th November, 1898.
6661. JEYES' SANITARY COMPOUNDS COMPANY, LIMITED, London, England. A Preparation for use in Medicine and Pharmacy for human use, 4th November, 1898.
6662. LYMAN JONES WOODWARD, Toronto, Ont. Proprietary Medicines, 7th November, 1898.
6663. LOUISA SMITH & NATHANIEL SMITH, trading as N. & M. Smith, Halifax, N.S. Fish, 12th November, 1898.
6664. GEORGE N. MORANG, Toronto, Ont. Books, 12th November, 1898.
6665. GEORGE FREDERICK GALT, Winnipeg, Man. Baking Powder, Baking Soda, Breakfast Food, Borax, Chocolate, Coffee, Cocoa, Herbs, Flavoring Extracts, Mustard, Spices and Yeast, 14th November, 1898.
6666. VEREINIGTE PINSEL-FABRIKEN, Nuremberg, Bavaria, German Empire. Brushes, 14th November, 1898.
6667. McDONALD & ROBB, Valleyfield, Que. Flour, 15th November, 1898.
6668. W. CRAWLEY RICARDO, Vernon, B.C. Hops, 16th November, 1898.
6669. EMPIRE TOBACCO COMPANY, Granby, Que. Manufactured Tobacco, 16th November, 1898.
6670. THE BRANTFORD STARCH COMPANY, LIMITED, Brantford, Ont. Starch, 17th November, 1898.
6671. ANDREW FRANK BIGGER, Oakville, Ont. Proprietary Medicines, 17th November, 1898.
6672. THE HOSTETTER COMPANY, Pittsburg, Pa., U.S.A. Proprietary Medicine, 18th November, 1898.
6673. THE ELLIOTT & BROOKE COMPANY, LIMITED, Toronto, Ont. Boxes, Packages, Parcels and Cases, 18th November, 1898.
6674. DARWIN LEWIS VAN VLACK, Toronto, Ont. A Preparation used as a Wood Preservative, 21st November, 1898.
6675. ARTHUR GILLESPIE SMITH, Winchester, Ont. Medicinal Preparation, 21st November, 1898.
6676. JOHN BROADHURST & COMPANY, Montreal, Que. Washing Compound, 21st November, 1898.
6677. CATHERINE C. S. SAUNDERS, Eastwood, N.J., U.S.A. Facial Preparations, Remedies for the treatment of the Skin, Blood, Sprains and Fractures, and for Various Diseases of the Human Body, 21st November, 1898.
- 6678 } GUSTAVE AGUET, JULES MONNERAT, EMILE LOUIS ROUSSY
6679 } & AUGUSTE MAYOR, trading as HENRI NESTLE, London, England,
6680 } Christiana, Norway, and Vevey, Switzerland. Condensed Milk, 21st
6681 } November, 1898.
6682. JOSEPH ALPHONSE ET JOSEPH ERNEST DUSSAULT, faisant affaires sous les noms et raisons sociales de B. HOUDE ET COMPAGNIE et THE STANDARD COMPANY, Quebec, Que. Tabacs de toutes sortes, 22 novembre, 1898.
6683. THE JEYES' SANITARY COMPOUNDS COMPANY, LIMITED, London, England. Ointment, 22nd November, 1898.
6684. KALLE & COMPANY, Biebrich, Empire of Germany. Pharmaceutical Products, 23rd November, 1898.
6685. DUBONNET FRERES, Paris, France. Vin de Quinquina, 23 novembre, 1898.

-
6686. THE CENTAUR COMPANY, New York, N. Y., U.S.A. Medicinal Preparation for Infants and Children, 25th November, 1898.
6687. THOMAS PETER SMITH, Elora, Ont. A Preparation for the relief of Rheumatism, Neuralgia, Headache, Toothache, Chilblains, Pain in the Face, Side, Back or Kidneys, Lumbago, Sprains, Insect Bites, Colic, Cramps, and all painful nervous diseases, 29th November, 1898.
6688. WILLIAM CROFT & SONS, Toronto, Ont. All classes of goods except soap, wool, and worsted and cotton yarns, 29th November, 1898.
6689. THE JOLIETTE TOBACCO COMPANY, Joliette, Que. Cut and Plug Tobacco, 30th November, 1898.

COPYRIGHTS

Entered during the month of November, 1898, at the Department of Agriculture—
Copyright and Trade-Mark Branch.

10242. **OFFENCES UNDER THE LIQUOR LICENSE ACT, R.S.O., 1897, Chap. 245.** Also a List of Cases decided thereon. By George Frederick Jelfs. The Toronto Law Book and Publishing Co. (Ltd.), Toronto, Ont., 2nd November, 1898.
10243. **PRACTICE FORMS IN PROCEEDINGS UNDER THE RULES OF PRACTICE AND PROCEDURE OF THE SUPREME COURT OF JUDICATURE FOR ONTARIO, THE SURROGATE COURT RULES, THE STATUTES OF ONTARIO AND THE STATUTES OF THE DOMINION OF CANADA.** By Edwin Bell, LL.B., and Herbert Langell Dunn, B.A., of Chatham and Toronto, respectively, 3rd November, 1898.
10244. **THRIFT PROSPECTUS.** The Sun Life Assurance Company of Canada, Montreal, Que., 3rd November, 1898.
10245. **BLACK ROCK.** A Tale of the Selkirks. By Ralph Connor. The Westminster Co. (Ltd.), Toronto, Ont., 3rd November, 1898.
10246. **USEFUL HINTS FOR THE CYCLIST.** The Massey Press, Toronto, Ont., 4th November, 1898.
10247. **APPARITION DU DIVIN ENFANT JÉSUS À SAINT-ANTOINE DE PADOUE.** (Maquette). Henri Médéric Leblanc, Montréal, Qué., 4 novembre, 1898.
10248. **THE STENOGRAPHER'S COMPANION.** Vol. I., No. 8, November, 1898. Robert Goltman, Montreal, Que., 4th November, 1898.
10249. **THE CANADIAN MILITIA, 1898.** From a painting by A. H. Hider. (Supplement to The Christmas Globe.) The Globe Printing Co., Toronto, Ont., 5th November, 1898.
10250. **I. O. F. POCKET REGISTER.** Compiled by Wellington Wallace, Toronto, Ont., 7th November, 1898.
10251. **GUNAGATHON HEALTH BOOK.** The Canadian Gunagathon Co., Toronto, Ont., 7th November, 1898.
10252. **THE JOLLY DRUMMER.** March and Two-Step. By W. H. Hodgins. Amey & Hodgins, Toronto, Ont., 7th November, 1898.
10253. **THE STORY OF A DARK PLOT; OR, TYRANNY ON THE FRONTIER.** By A. L. O. C. W. W. Smith, Sutton, Que., 7th November, 1898.
10254. **THE MARCH OF THE HIGHLAND BRIGADE.** Song. Words by Ebenezer Bain. Music by Cathcart Wallace. Ebenezer Bain, Montreal, Que., 9th November, 1898.
10255. **SECURITY ENVELOPE—FILE CHECK SYSTEM.** (Envelope and slip.) Elijah Kitchen Barnsdale, Stratford, Ont., 10th November, 1898.
10256. **LE CODE CATHOLIQUE; OU COMMENTAIRE DU CATÉCHISME DE QUÉBEC.** Nouvelle Edition. Par l'Abbé David Gosselin, T.B., Cap-Santé, Qué., 11 novembre 1898.
10257. **THE BOOKS OF THE BIBLE.** (Folder.) R. Kretzmann, Rhineland, Ont., 11th November, 1898.
10258. **DIRECTIONS AND RULES FOR PLAYING THE GAME OF HOCKEY.** A New Parlour Game. George McKenzie Patterson and James Philip Fennell, Berlin, Ont., 12th November, 1898.
10259. **THE DELINEATOR.** (A Journal of Fashion, Culture and Fine Arts.) December, 1898. The Butterick Publishing Co. (Ltd.), New York, N. Y., U. S. A., 14th November, 1898.
10260. **THE GLASS OF FASHION UP TO DATE** (December, 1898.) The Butterick Publishing Co. (Ltd.), New York, N. Y., U. S. A., 14th November, 1898.
10261. **METROPOLITAN FASHIONS.** (December, 1898.) The Butterick Publishing Co. (Ltd.), New York, N. Y., U. S. A., 14th November, 1898.
10262. **THAYENDANEGBA.** An Historico-Military Drama. By J. B. Mackenzie, Toronto, Ont., 14th November, 1898.

10263. EDUCATIONAL REVIEW SUPPLEMENTARY READINGS, CANADIAN HISTORY. Number Three, September, 1898. George U. Hay, St. John, N.B., 14th November, 1898.
10264. PICKANINNY—IT'S TIME YOU WAS IN BED. Words and Music by Raymond A. Browne. Charles O. Brokaw, Kansas, Missouri, U.S.A., 14th November, 1898.
10265. HARUTUNE; OR, LIGHTS AND SHADOWS IN THE ORIENT. By H. S. Jenanyan. William Briggs, Toronto, Ont., 14th November, 1898.
10266. PIONEER SKETCHES OF LONG POINT SETTLEMENT; OR, NORFOLK'S FOUNDATION BUILDERS AND THEIR FAMILY GENEALOGIES. By Egbert Americus Owen, Vittoria, Ont., 15th November, 1898.
10267. THE PARLIAMENTARY GUIDE AND WORK OF GENERAL REFERENCE, 1898-99. Edited by Arnott James Magurn, Winnipeg, Man., 15th November, 1898.
10268. PANORAMIC VIEW OF THE CITY OF VANCOUVER, BRITISH COLUMBIA, 1898. (Map.) John Campbell McLagan, Vancouver, B.C., 15th November, 1898.
10269. OUR UNION JACK. (Pamphlet.) Mrs. Clementine Fessenden, Hamilton, Ont., 16th November, 1898.
10270. YOU DON'T HANDLE NUFF MONEY FOR ME. Words and music by Irving Jones. Arranged by Max Hoffman. Chas. K. Harris, Milwaukee, Wisconsin, U.S.A., 16th November, 1898.
10271. LIVRET DE PLACEMENT. (La Compagnie Canadienne de Marchandises Seches.) Arsène Lamy, Montreal, Qué., 16 novembre 1898.
10272. BOOT AND SHOE INVESTMENT BOOK. The Canadian Investment Co., Montreal, Que., 16th November, 1898.
10273. STUDENT'S UNION. Patrol. For Mandolin and Guitar. By G. F. Smedley. Whaley, Royce & Co., Toronto, Ont., 17th November, 1898.
10274. THE JUDICATURE ACT OF ONTARIO AND THE CONSOLIDATED RULES OF PRACTICE AND PROCEDURE OF THE SUPREME COURT OF JUDICATURE FOR ONTARIO. Second Edition, 1898. By George Smith Holmested and Thomas Langton, Toronto, Ont., 17th November, 1898.
10275. MA GENUINE AFRICAN BLONDE. Words and Music by George R. Wilson. Arranged by Max Hoffinan. Charles K. Harris, Milwaukee, Wisconsin, U.S.A., 18th November, 1898.
10276. DREAMLAND. Cradle Song. Words by W. V. B. Thompson. Music by Frederick W. Holland. Whaley, Royce & Co., Toronto, Ont., 18th November, 1898.
10277. VIERGES—CLARISSSES—MARTYRES. (Painting.) Kathleen Gethin, Montreal, Que., 18th November, 1898.
10278. A LECTURE ON THE APOCALYPSE. By Rev. W. McGregor, South Range, N.S., 18th November, 1898.
10279. PLAN OF HIGH LEVEL DOCK AND PROFILE OF HIGH LEVEL DOCK. Frederick Joseph Gilman, Montreal, Que., 19th November, 1898.
10280. LIVRET DE PLACEMENT. (La Compagnie Canadienne de Bouchers.) Arsène Lamy, Montréal, Qué., 19 novembre 1898.
10281. LIVRET DE PLACEMENT. (La Compagnie Canadienne d'Épiceries.) Arsène Lamy, Montréal, Qué., 19 novembre 1898.
10282. IMPROVED CLASS BOOK FOR SUNDAY SCHOOLS. Rowsell & Hutchison, Toronto, Ont., 19th November, 1898.
10283. AFTERWARDS. And Other Stories. By Ian MacLaren. Hodder & Stoughton, London, England, 19th November, 1898.
10284. SHENANGO. Waltz, for Piano. By Lizzie Tennent Andrews, Brantford, Ont., 19th November, 1898.
10285. THE SUWANEE SHORE. (Song.) Words by Richard Henry Buck. Music by Adam Geibel. The Draper Music Publishing Co., Toronto, Ont., 21st November, 1898.
10286. THE DIXIE KID. (Plantation Song and Chorus.) Words by Richard Henry Buck. Music by Adam Geibel. The Draper Music Publishing Co., Toronto, Ont., 21st November, 1898.
10287. LIVRET DE PLACEMENT. (La Compagnie Canadienne des Boulangers.) Arsène Lamy, Montreal, Que., 22nd November, 1898.
10288. STREET CAR MEN'S TIME TABLE. P. S. Fleming, Thistletown, Ont., 22nd November, 1898.

10289. THE CANADIAN MAGAZINE. November, 1898. The Ontario Publishing Co. (Ltd.), Toronto Ont., 25th November, 1898.
10290. HYPNOTIZED? OR, THE EXPERIMENT OF SIR HUGH GALBRAITH. A Romance. By Julian Durham. The Ontario Publishing Co. (Ltd.), Toronto, Ont., 25th November, 1898.
10291. BEYOND THE MARSHES. By Ralph Connor. With an introductory Note by the Countess of Aberdeen. The Westminster Co. (Ltd.), Toronto, Ont., 25th November, 1898.
10292. JOHN BLACK: THE APOSTLE OF THE RED RIVER; OR, HOW THE BLUE BANNER WAS UNFURLED ON MANITOBA PRAIRIES. By Rev. George Bryce, M.A., LL.D. William Briggs, Toronto, Ont., 25th November, 1898.
10293. SONS OF THE SEA. Words and Music by Felix McGlennon. Whaley, Royce & Co., Toronto, Ont., 26th November, 1898.
10294. CATHOLIC CALENDAR, 1899. Michael J. Galvin, Peterborough, Ont., 28th November, 1898.
10295. THE CANADIAN ALMANAC AND MISCELLANEOUS DIRECTORY, 1899. The Copp, Clark Co. (Ltd.), Toronto, Ont., 29th November, 1898.
10296. THE RIDDLE OF EXISTENCE SOLVED; OR AN ANTIDOTE TO INFIDELITY. Being an Answer to Professor Goldwin Smith's "Guesses at the Riddle of Existence." By William John Fenton, Toronto, Ont., 29th November, 1898.
10297. ACADEMIC ARITHMETIC. (Being Part Four of the Progressive School Series of Arithmetics.) By W. T. Kennedy and Peter O'Hearn. T. C. Allen & Co., Halifax, N.S., 30th November, 1898.
10298. HISTORY OF RICHMOND, SHIPTON AND CLEVELAND. Published in the "Richmond Guardian." (Temporary Copyright.) William Evans Jones, Richmond, Que., 30th November, 1898.
10299. STEAMSHIP PRINCE RUPERT, BACKING FROM PIER, DIGBY, N.S. (Photo.) John Donald Fraser, Clementsport, N.S., 30th November, 1898.