

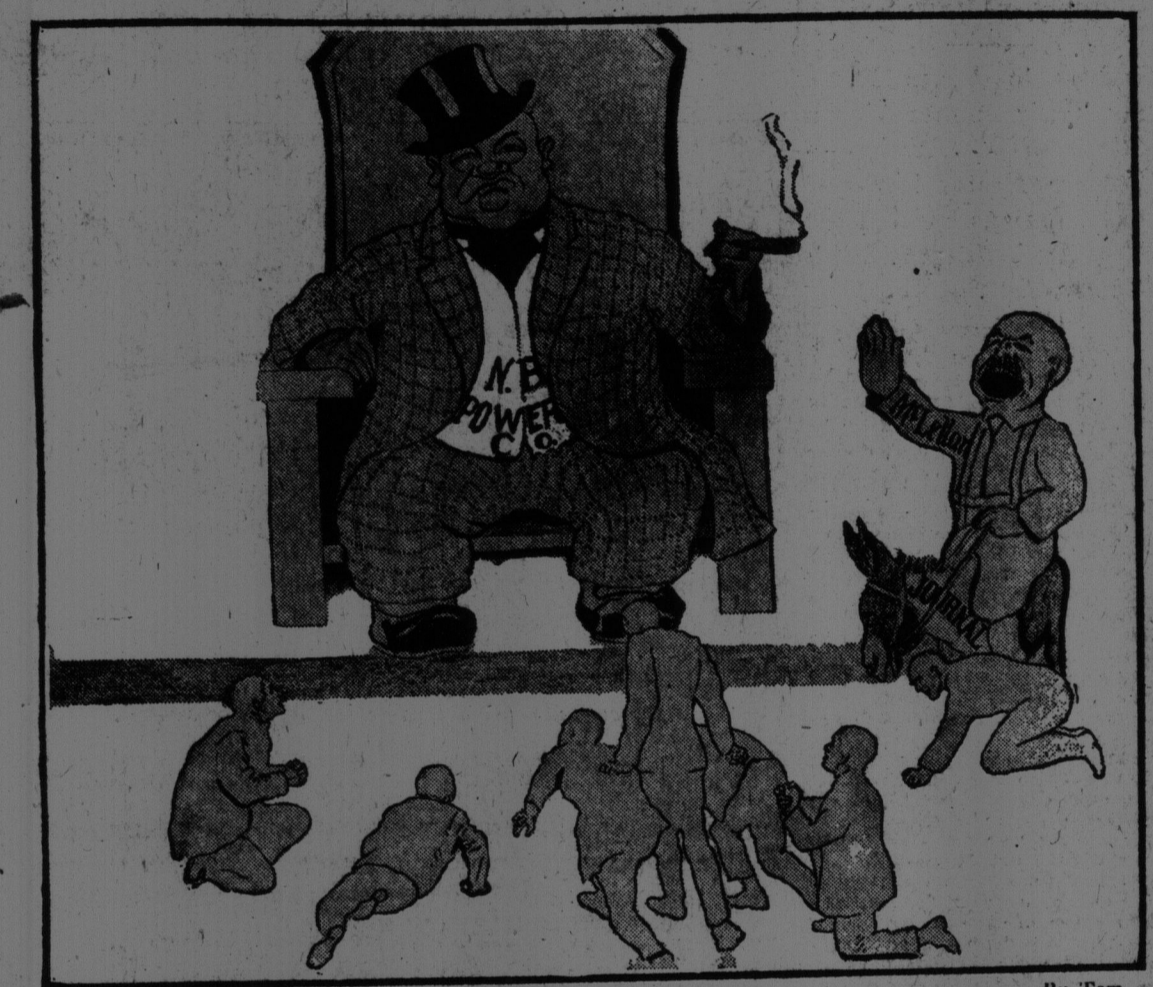
The Dominion Times Star

VOL. XIX, No. 26

ST. JOHN, N. B., TUESDAY, OCTOBER 31, 1922

TWELVE PAGES—ONE CENT

Citizens: Are You Going To Bow Down?



The lad on the Jackass:—"Bow down, ye slaves; Bow down!"

LOYD GEORGE MAY HAVE TO FIGHT HARD

Co-operative Pact Seems to be Going to Smash

Former Premier Reported Vexed Over Turn of Affairs and He May Spread the War—Labor Looks On as the Factions Worry Each Other.

(Associated Press.) London, Oct. 31.—The so-called co-operative pact between the Conservative and Liberal National Liberals, which yesterday appeared to be gaining strength, today seemed near a smash up that may force Lloyd George really to carry out his threats to "spread the war" and wage a bitter fight to the finish with the men who brought about his downfall.

At this time the Lloyd Georgians have about 160 candidates in the field, and they are reported to have 250 others in reserve. It is said that Lloyd George's intention to let loose his reserves against the Conservatives unless his demands are met.

To combat this disaffection, the Central Conservative Association announced that in reality no pact had been reached, but that each constituency was at liberty to adopt whatever candidate it chose.

The newspaper thinks that a wide break between the two would affect party relations on every front and would produce chaos in Scotland, where many large areas of the Unionists and National Liberals are closely co-operating.

Still, the Times contends, the Lloyd George party, if it is to continue to live at all, has no alternative but to "spread the war."

A clash between the Conservative and the Lloyd Georgians would likely result in an alliance between the National Liberals and the Asquithian Free Liberals in several districts. The two groups of Liberals are far from being in alliance now in some constituencies.

CIRCUS FOLK KILLED IN A TRAIN WRECK

New Orleans, Oct. 31.—Three persons dead, four seriously injured and two slightly hurt was the toll of a rear-end collision early today of the Fast sunset Express, Southern Pacific, and a Sells-Floto Circus special.

The conductor and brakeman of the circus train were reported missing. The dead and injured were circus performers. The wreck occurred near Addicks, La.

"Tonight's the night" for the kiddies to celebrate. Black cats, hollowed-out pumpkins, orange and black crepe paper, candles, masks, all are sacred to the occasion and will be greatly in evidence "this evening."

The children of today, for the most part, have just as much fun without making a night an occasion for property owners to dread.

The making of weird noises running about of masked figures, bobbing for apples and a general good time will be the order of the evening. The "halloween" will be on the sidewalks to trap the unwary pedestrian who will stumble and pass on to the tune of "munchies" and "supper" which will, Verily, "tonight's the night."

WOMEN DO NOT MEAN TO BE CANDIDATES

Ottawa, Oct. 31.—"I would not think of it—for a fortune," was the reply of Mrs. John Stewart of Appleton, when asked concerning a report that she was a possible candidate in the coming Lanark by election.

C. P. R. MEETING

DAUGHTER LIVES FREE

RAILWAY OFFICIALS

DELVE INTO PAST OF MRS GIBSON

Testing Credibility of Witness in Jersey Murders.

Denies That She Has Husband Living and Asks What Matter Whether She Has a Past or Not—Mott Says Her Story Not Discredited.

(Canadian Press.) New Brunswick, N. J., Oct. 31.—The credibility of Mrs. James Gibson, who says she was an eye-witness of the murders of Rev. Edward Wheeler Hall, rector of the Episcopal church of St. John the Evangelist, and his choir leader, Mrs. Eleanor R. Mills, was subjected to criticism again today.

Special Attorney General Mott has made no move to present Mrs. Gibson's story to the grand jury. He said, however, that he had found nothing which would tend to discredit her account of the murders.

Special Attorney General Mott has made no move to present Mrs. Gibson's story to the grand jury. He said, however, that he had found nothing which would tend to discredit her account of the murders.

Special Attorney General Mott has made no move to present Mrs. Gibson's story to the grand jury. He said, however, that he had found nothing which would tend to discredit her account of the murders.

Special Attorney General Mott has made no move to present Mrs. Gibson's story to the grand jury. He said, however, that he had found nothing which would tend to discredit her account of the murders.

Special Attorney General Mott has made no move to present Mrs. Gibson's story to the grand jury. He said, however, that he had found nothing which would tend to discredit her account of the murders.

Special Attorney General Mott has made no move to present Mrs. Gibson's story to the grand jury. He said, however, that he had found nothing which would tend to discredit her account of the murders.

Special Attorney General Mott has made no move to present Mrs. Gibson's story to the grand jury. He said, however, that he had found nothing which would tend to discredit her account of the murders.

FATHER BERNARD VAUGHAN IS DEAD

Prominent Jesuit Passes Away at Putney

Had Been Ill for Several Months, But Kept to Bed Only Few Days—Was a Brother of the Late Cardinal Vaughan.

(Canadian Press Cable.) London, Oct. 31.—Father Bernard Vaughan, one of the most prominent Jesuit priests in the world, and a brother of the late Cardinal Vaughan, died here today. Several years ago he toured through parts of Canada, Alaska, and the U. S. and later lectured in Japan, where he addressed the house of peers.

He was minister of agriculture and fisheries in the Lloyd George Cabinet, and now enters the Bonar Law ministry as minister of health.

He was minister of agriculture and fisheries in the Lloyd George Cabinet, and now enters the Bonar Law ministry as minister of health.

He was minister of agriculture and fisheries in the Lloyd George Cabinet, and now enters the Bonar Law ministry as minister of health.

He was minister of agriculture and fisheries in the Lloyd George Cabinet, and now enters the Bonar Law ministry as minister of health.

He was minister of agriculture and fisheries in the Lloyd George Cabinet, and now enters the Bonar Law ministry as minister of health.

He was minister of agriculture and fisheries in the Lloyd George Cabinet, and now enters the Bonar Law ministry as minister of health.

He was minister of agriculture and fisheries in the Lloyd George Cabinet, and now enters the Bonar Law ministry as minister of health.

He was minister of agriculture and fisheries in the Lloyd George Cabinet, and now enters the Bonar Law ministry as minister of health.

He was minister of agriculture and fisheries in the Lloyd George Cabinet, and now enters the Bonar Law ministry as minister of health.

He was minister of agriculture and fisheries in the Lloyd George Cabinet, and now enters the Bonar Law ministry as minister of health.

He was minister of agriculture and fisheries in the Lloyd George Cabinet, and now enters the Bonar Law ministry as minister of health.

He was minister of agriculture and fisheries in the Lloyd George Cabinet, and now enters the Bonar Law ministry as minister of health.

He was minister of agriculture and fisheries in the Lloyd George Cabinet, and now enters the Bonar Law ministry as minister of health.

He was minister of agriculture and fisheries in the Lloyd George Cabinet, and now enters the Bonar Law ministry as minister of health.

He was minister of agriculture and fisheries in the Lloyd George Cabinet, and now enters the Bonar Law ministry as minister of health.

SIR ARTHUR GRIFFITHS- BOSCOWEN.

Deal Arouses Interest in Baseball Circles

McGraw Said to Have Given \$50,000 and Four Players for Him—Rube Benton May Return to Cincinnati—Late News of Sport.

(Canadian Press.) New York, Oct. 31.—Baseball circles were agog today over the acquisition of Jack Bentley, star batsman and pitcher of the Baltimore International League Club by the Giants for a reported consideration of \$50,000 in cash.

Bentley is a veteran, having performed with the American League from 1918 to 1919, but his reputation as a home run slugger, pitcher and all round star has been gained in the last few seasons as an important member of the team that Jack Dunn has piloted to several International League championships.

Bentley is a veteran, having performed with the American League from 1918 to 1919, but his reputation as a home run slugger, pitcher and all round star has been gained in the last few seasons as an important member of the team that Jack Dunn has piloted to several International League championships.

Bentley is a veteran, having performed with the American League from 1918 to 1919, but his reputation as a home run slugger, pitcher and all round star has been gained in the last few seasons as an important member of the team that Jack Dunn has piloted to several International League championships.

Bentley is a veteran, having performed with the American League from 1918 to 1919, but his reputation as a home run slugger, pitcher and all round star has been gained in the last few seasons as an important member of the team that Jack Dunn has piloted to several International League championships.

Bentley is a veteran, having performed with the American League from 1918 to 1919, but his reputation as a home run slugger, pitcher and all round star has been gained in the last few seasons as an important member of the team that Jack Dunn has piloted to several International League championships.

Bentley is a veteran, having performed with the American League from 1918 to 1919, but his reputation as a home run slugger, pitcher and all round star has been gained in the last few seasons as an important member of the team that Jack Dunn has piloted to several International League championships.

Bentley is a veteran, having performed with the American League from 1918 to 1919, but his reputation as a home run slugger, pitcher and all round star has been gained in the last few seasons as an important member of the team that Jack Dunn has piloted to several International League championships.

Bentley is a veteran, having performed with the American League from 1918 to 1919, but his reputation as a home run slugger, pitcher and all round star has been gained in the last few seasons as an important member of the team that Jack Dunn has piloted to several International League championships.

Bentley is a veteran, having performed with the American League from 1918 to 1919, but his reputation as a home run slugger, pitcher and all round star has been gained in the last few seasons as an important member of the team that Jack Dunn has piloted to several International League championships.

Bentley is a veteran, having performed with the American League from 1918 to 1919, but his reputation as a home run slugger, pitcher and all round star has been gained in the last few seasons as an important member of the team that Jack Dunn has piloted to several International League championships.

Bentley is a veteran, having performed with the American League from 1918 to 1919, but his reputation as a home run slugger, pitcher and all round star has been gained in the last few seasons as an important member of the team that Jack Dunn has piloted to several International League championships.

Bentley is a veteran, having performed with the American League from 1918 to 1919, but his reputation as a home run slugger, pitcher and all round star has been gained in the last few seasons as an important member of the team that Jack Dunn has piloted to several International League championships.

Bentley is a veteran, having performed with the American League from 1918 to 1919, but his reputation as a home run slugger, pitcher and all round star has been gained in the last few seasons as an important member of the team that Jack Dunn has piloted to several International League championships.

Bentley is a veteran, having performed with the American League from 1918 to 1919, but his reputation as a home run slugger, pitcher and all round star has been gained in the last few seasons as an important member of the team that Jack Dunn has piloted to several International League championships.

Bentley is a veteran, having performed with the American League from 1918 to 1919, but his reputation as a home run slugger, pitcher and all round star has been gained in the last few seasons as an important member of the team that Jack Dunn has piloted to several International League championships.

THE GIANTS BUY JACK BENTLEY

Deal Arouses Interest in Baseball Circles

McGraw Said to Have Given \$50,000 and Four Players for Him—Rube Benton May Return to Cincinnati—Late News of Sport.

(Canadian Press.) New York, Oct. 31.—Baseball circles were agog today over the acquisition of Jack Bentley, star batsman and pitcher of the Baltimore International League Club by the Giants for a reported consideration of \$50,000 in cash.

Bentley is a veteran, having performed with the American League from 1918 to 1919, but his reputation as a home run slugger, pitcher and all round star has been gained in the last few seasons as an important member of the team that Jack Dunn has piloted to several International League championships.

Bentley is a veteran, having performed with the American League from 1918 to 1919, but his reputation as a home run slugger, pitcher and all round star has been gained in the last few seasons as an important member of the team that Jack Dunn has piloted to several International League championships.

Bentley is a veteran, having performed with the American League from 1918 to 1919, but his reputation as a home run slugger, pitcher and all round star has been gained in the last few seasons as an important member of the team that Jack Dunn has piloted to several International League championships.

Bentley is a veteran, having performed with the American League from 1918 to 1919, but his reputation as a home run slugger, pitcher and all round star has been gained in the last few seasons as an important member of the team that Jack Dunn has piloted to several International League championships.

Bentley is a veteran, having performed with the American League from 1918 to 1919, but his reputation as a home run slugger, pitcher and all round star has been gained in the last few seasons as an important member of the team that Jack Dunn has piloted to several International League championships.

Bentley is a veteran, having performed with the American League from 1918 to 1919, but his reputation as a home run slugger, pitcher and all round star has been gained in the last few seasons as an important member of the team that Jack Dunn has piloted to several International League championships.

Bentley is a veteran, having performed with the American League from 1918 to 1919, but his reputation as a home run slugger, pitcher and all round star has been gained in the last few seasons as an important member of the team that Jack Dunn has piloted to several International League championships.

Bentley is a veteran, having performed with the American League from 1918 to 1919, but his reputation as a home run slugger, pitcher and all round star has been gained in the last few seasons as an important member of the team that Jack Dunn has piloted to several International League championships.

Bentley is a veteran, having performed with the American League from 1918 to 1919, but his reputation as a home run slugger, pitcher and all round star has been gained in the last few seasons as an important member of the team that Jack Dunn has piloted to several International League championships.

Bentley is a veteran, having performed with the American League from 1918 to 1919, but his reputation as a home run slugger, pitcher and all round star has been gained in the last few seasons as an important member of the team that Jack Dunn has piloted to several International League championships.

Bentley is a veteran, having performed with the American League from 1918 to 1919, but his reputation as a home run slugger, pitcher and all round star has been gained in the last few seasons as an important member of the team that Jack Dunn has piloted to several International League championships.

Bentley is a veteran, having performed with the American League from 1918 to 1919, but his reputation as a home run slugger, pitcher and all round star has been gained in the last few seasons as an important member of the team that Jack Dunn has piloted to several International League championships.

Bentley is a veteran, having performed with the American League from 1918 to 1919, but his reputation as a home run slugger, pitcher and all round star has been gained in the last few seasons as an important member of the team that Jack Dunn has piloted to several International League championships.

Bentley is a veteran, having performed with the American League from 1918 to 1919, but his reputation as a home run slugger, pitcher and all round star has been gained in the last few seasons as an important member of the team that Jack Dunn has piloted to several International League championships.

Bentley is a veteran, having performed with the American League from 1918 to 1919, but his reputation as a home run slugger, pitcher and all round star has been gained in the last few seasons as an important member of the team that Jack Dunn has piloted to several International League championships.

As Hiram Sees It

Princess Declares Herself Very Happy With Ex-Kaiser

Others Were Anxious to Marry Him, She Says, and She Had a Bit of a Fight—They're to be Married on Next Sunday.

(Canadian Press Cable.) London, Oct. 31.—Princess Hermine of Reuss thinks her fiancé, the former German Kaiser, is one of the most generous, kind-hearted men that ever lived, and she is sure that she is going to be the happiest woman in the world after her marriage on next Sunday.

That, at least is what she told a correspondent of the Daily Express today.

"I know I love the Kaiser," she said. "Surely he is not so rich that it can be said I am marrying him for his money."

The princess said that a lot of other women were anxious for the heart of the former German emperor, and described how mad some of them were with envy and jealousy when her engagement to William got noised around the world by telegraph and cable.

"They did their best to hinder our engagement by intrigue," she said. "I had a hard fight. All of my friends and so-called friends had their own plans. You know, several prominent women, including the widow of Colonel Von Roehow, thought of marrying the Kaiser."

In her most charming manner the princess conversed with the correspondent at the old Silesian Castle which is her ancestral home. She told him a little about the romance and of her plans for the future.

"It was like this," she said, "some friends who were in attendance on the Kaiser and who knew of our childhood attachment invited me to his home at Doorn. The crown prince came to Doorn, also, and in the friendliest sort of way he chatted with me about the affairs of the heart. With a laugh he said: 'You may marry who you like. I have a very good man, but sometimes he is hard to get along with.'"

"A few weeks later the Crown Prince came to talk to me again. He said: 'I have watched you all this time, and I feel it my duty to tell you my warning were all wrong. You surely know how to manage people and the whole situation is explained. The fact that the house at Doorn was being conducted along very economical lines occasionally so scanty that they almost broke the Kaiser's heart. Nevertheless the princess declared she would adhere to the strict principles of economy which have been in force since the former Kaiser took up his residence in Holland.

"Do you think you will miss your Silesian life?" the crown prince inquired.

"In Black and White.

"Oh, no, I have a signed agreement with the Kaiser allowing me to stay twice a year for eight weeks each time to keep in touch with my children who are to remain in Germany. The agreement is to be kept separate from the imperial property. The economic arrangement for the marriage at first frightened some people, but now everything is settled and nobody will complain."

The princess said all of the former Kaiser's children were going to attend the wedding.

Field Marshal von Hindenburg and General Ludendorff have not been invited, she declared.

Oscar Adair to Andrew Anderson, property in Cortwell.

A. Allison to W. T. Bell, property in Rothbury.

O. B. Coates to United Baptist church, property in Studholm.

THINKS THAT SHE'S GETTING QUITE A MAN

Princess Declares Herself Very Happy With Ex-Kaiser

Others Were Anxious to Marry Him, She Says, and She Had a Bit of a Fight—They're to be Married on Next Sunday.

(Canadian Press Cable.) London, Oct. 31.—Princess Hermine of Reuss thinks her fiancé, the former German Kaiser, is one of the most generous, kind-hearted men that ever lived, and she is sure that she is going to be the happiest woman in the world after her marriage on next Sunday.

That, at least is what she told a correspondent of the Daily Express today.

"I know I love the Kaiser," she said. "Surely he is not so rich that it can be said I am marrying him for his money."

The princess said that a lot of other women were anxious for the heart of the former German emperor, and described how mad some of them were with envy and jealousy when her engagement to William got noised around the world by telegraph and cable.

"They did their best to hinder our engagement by intrigue," she said. "I had a hard fight. All of my friends and so-called friends had their own plans. You know, several prominent women, including the widow of Colonel Von Roehow, thought of marrying the Kaiser."

In her most charming manner the princess conversed with the correspondent at the old Silesian Castle which is her ancestral home. She told him a little about the romance and of her plans for the future.

"It was like this," she said, "some friends who were in attendance on the Kaiser and who knew of our childhood attachment invited me to his home at Doorn. The crown prince came to Doorn, also, and in the friendliest sort of way he chatted with me about the affairs of the heart. With a laugh he said: 'You may marry who you like. I have a very good man, but sometimes he is hard to get along with.'"

"A few weeks later the Crown Prince came to talk to me again. He said: 'I have watched you all this time, and I feel it my duty to tell you my warning were all wrong. You surely know how to manage people and the whole situation is explained. The fact that the house at Doorn was being conducted along very economical lines occasionally so scanty that they almost broke the Kaiser's heart. Nevertheless the princess declared she would adhere to the strict principles of economy which have been in force since the former Kaiser took up his residence in Holland.

"Do you think you will miss your Silesian life?" the crown prince inquired.

"In Black and White.

"Oh, no, I have a signed agreement with the Kaiser allowing me to stay twice a year for eight weeks each time to keep in touch with my children who are to remain in Germany. The agreement is to be kept separate from the imperial property. The economic arrangement for the marriage at first frightened some people, but now everything is settled and nobody will complain."

The princess said all of the former Kaiser's children were going to attend the wedding.

Field Marshal von Hindenburg and General Ludendorff have not been invited, she declared.

Oscar Adair to Andrew Anderson, property in Cortwell.

A. Allison to W. T. Bell, property in Rothbury.

O. B. Coates to United Baptist church, property in Studholm.

LOCAL NEWS

Sale of homepun dresses, \$6.75. J. Perchanok, 38 Dock street. 11-4

A rummage sale will be held in St. Paul's (Valley) Sunday school on Wednesday, Nov. 1, 2.30 o'clock. 2929-11-1

Remember the Grand Bay Association dance at Studio, Thursday, Nov. 2, 8.00-11.4

"Studio" tonight, Annual Halloween dance. Confetti furnished free. Regular prices.

Mammoth coats, large variety to choose from, \$12.98, \$27.50. J. Perchanok, 38 Dock street. 11-4

COMMUNITY SIGHT SINGING CLASS. The sight singing class of the Community Chorus will meet at 7.30 to 8.30 Wednesday evening, Orange Hall, for their first work. All singers should be in this course. Free to members of the chorus. 11-1

NOTICE OF MEETING. The first rehearsal of the Orpheus Society will be held in the St. John's (Stone) church school room, Tuesday evening, October 31, at 8 o'clock.

NOTICE. All firms having accounts against George H. Magee, 429 Main street, kindly render itemized statements at once to the above address. 2818-11-2

JUST ARRIVED. A shipment of the newest styles in Canton and lace dresses, various shades, up. J. Perchanok, 38 Dock street. 11-4

See Earle Spicer programme, page 11.

AMERICAN ANTHRACITE COAL FOR FELDERS. We have one car fresh mined stove or nut size hard coal to sell in limited quantities. Order No. 1 Union street, or 6 1/2 Charlotte street. J. S. Gibbon & Co., Ltd. 11-2

We are showing a large assortment of large Portet twill and Tricotine dresses, all styles, ranging from \$9.50 up. J. Perchanok, 38 Dock street. 11-4

BIRTHDAY PARTY. Master Douglas Hannon entertained a number of his small friends on Saturday from four to eight o'clock on the occasion of his ninth birthday. At supper there was a birthday cake, in which were small favors for all guests. Afterwards games and music were enjoyed by all. In "pin the tail on the donkey" first, second and booby prizes were given. The little fellow received many remembrances from his friends in honor of the day.

Why cutting the cuticle gives you ragged nail rims

WHEN you attempt to trim off the hard, dry cuticle about the base of the nail, you cannot help snipping through in places to the delicate nail root lying less than one twelfth of an inch below the surface

To heal these wounds, Nature immediately covers them with new tissue that is coarser than the rest of the cuticle, and this creates the ugly, jagged edge you are so anxious to do away with.

The surplus cuticle can be removed easily, quickly and harmlessly with Cutex Cuticle Remover. You just apply it about the base of the nails with an orange stick, rinse, and the ragged, dead skin that you used to trim off with such difficulty, will just wipe away. Cutex also makes an excellent nail bleach.

Then for the gleaming Lustre that you want for your nails, try the two new polishes that Cutex now offers you.

MADE IN CANADA. Mail this coupon with 12c. to-day

Northam Warren Dept. STT, 200 Mountain St., Montreal, Canada.

Name Street City and Province

Master Furriers Since 1859

Monday and Tuesday Only

Just at the beginning of winter, just when you must think seriously of your New Fur Coat, comes this most unusual opportunity—

A FINE FUR COAT, up to the customary MAGEE STANDARD of STYLE, QUALITY and WORKMANSHIP, and

MONDAY AND TUESDAY ONLY at so modest a price as to appeal to every woman.

\$150 \$160 \$190

These fine coats are of excellent quality of pelts, linings and workmanship—coats such as will add to the Magee reputation for Quality and Value.

These coats are of deep fur, carefully selected MUSKRAT, self-trimmed with either a gathered or straight shawl collar, deep cuffs with straight, flare or bell sleeves. Coat lengths are 39, 40 and 42 inches. If you would prefer a coat other than self-trimmed there are a few

RACCOON TRIMMED with reversible self border of three skin width. Regular price \$275 and \$300. \$240.00

The Magee Shop has built its reputation upon its excellent values. In this coat event the high standard is surpassed. That is why we are limiting the event for two days only.

D. Magee's Sons, Limited 43 King Street

AT 40, 4 of 5 ARE IMPERILED

Four persons out of every five past forty, and thousands younger, contract Pyorrhea. Bleeding gums are the danger signal. Heed it for the sake of sound teeth and health.

Brush your teeth with Forhan's FOR THE GUMS

More than a tooth paste—it checks Pyorrhea 35c and 60c in tubes

PAIR, MURRAY STREET. Nov. 1st to 4th. Come and see a kewpie. Door prize every night. Admission 10 cents. 2768-11-1

NOTICE TO CAR OWNERS. Having taken over the business formerly conducted by United Distributors, Ltd., 48 King square, we desire to announce to the public that we are now open for business on the old stand. We are the official Exide service station for St. John and vicinity and have all of the most up-to-date and best equipped shops in eastern Canada for the repair and storage of all makes of automobile and radio storage batteries. Consult us for winter storage. King Square Battery Service, 48 King square.

BIRTHDAY PARTY. Master Douglas Hannon entertained a number of his small friends on Saturday from four to eight o'clock on the occasion of his ninth birthday. At supper there was a birthday cake, in which were small favors for all guests. Afterwards games and music were enjoyed by all. In "pin the tail on the donkey" first, second and booby prizes were given. The little fellow received many remembrances from his friends in honor of the day.

AMERICAN ANTHRACITE COAL FOR FELDERS. We have one car fresh mined stove or nut size hard coal to sell in limited quantities. Order No. 1 Union street, or 6 1/2 Charlotte street. J. S. Gibbon & Co., Ltd. 11-2

We are showing a large assortment of large Portet twill and Tricotine dresses, all styles, ranging from \$9.50 up. J. Perchanok, 38 Dock street. 11-4

BIRTHDAY PARTY. Master Douglas Hannon entertained a number of his small friends on Saturday from four to eight o'clock on the occasion of his ninth birthday. At supper there was a birthday cake, in which were small favors for all guests. Afterwards games and music were enjoyed by all. In "pin the tail on the donkey" first, second and booby prizes were given. The little fellow received many remembrances from his friends in honor of the day.

Why cutting the cuticle gives you ragged nail rims

WHEN you attempt to trim off the hard, dry cuticle about the base of the nail, you cannot help snipping through in places to the delicate nail root lying less than one twelfth of an inch below the surface

To heal these wounds, Nature immediately covers them with new tissue that is coarser than the rest of the cuticle, and this creates the ugly, jagged edge you are so anxious to do away with.

The surplus cuticle can be removed easily, quickly and harmlessly with Cutex Cuticle Remover. You just apply it about the base of the nails with an orange stick, rinse, and the ragged, dead skin that you used to trim off with such difficulty, will just wipe away. Cutex also makes an excellent nail bleach.

Then for the gleaming Lustre that you want for your nails, try the two new polishes that Cutex now offers you.

MADE IN CANADA. Mail this coupon with 12c. to-day

Northam Warren Dept. STT, 200 Mountain St., Montreal, Canada.

Name Street City and Province

Master Furriers Since 1859

Monday and Tuesday Only

Just at the beginning of winter, just when you must think seriously of your New Fur Coat, comes this most unusual opportunity—

A FINE FUR COAT, up to the customary MAGEE STANDARD of STYLE, QUALITY and WORKMANSHIP, and

MONDAY AND TUESDAY ONLY at so modest a price as to appeal to every woman.

\$150 \$160 \$190

These fine coats are of excellent quality of pelts, linings and workmanship—coats such as will add to the Magee reputation for Quality and Value.

These coats are of deep fur, carefully selected MUSKRAT, self-trimmed with either a gathered or straight shawl collar, deep cuffs with straight, flare or bell sleeves. Coat lengths are 39, 40 and 42 inches. If you would prefer a coat other than self-trimmed there are a few

RACCOON TRIMMED with reversible self border of three skin width. Regular price \$275 and \$300. \$240.00

The Magee Shop has built its reputation upon its excellent values. In this coat event the high standard is surpassed. That is why we are limiting the event for two days only.

D. Magee's Sons, Limited 43 King Street

48 French China Stock Pattern

This is a light pink rose garland border effect with green foliage, one of our most popular pre-war stock patterns.

O. H. Warwick Co., Limited 78-82 KING ST

Try it Once—Use it Always Yarmouth Creamery Butte. FRED. BRYDON, City Market.

LOCAL NEWS

PAIR, MURRAY STREET. Nov. 1st to 4th. Come and see a kewpie. Door prize every night. Admission 10 cents. 2768-11-1

NOTICE TO CAR OWNERS. Having taken over the business formerly conducted by United Distributors, Ltd., 48 King square, we desire to announce to the public that we are now open for business on the old stand. We are the official Exide service station for St. John and vicinity and have all of the most up-to-date and best equipped shops in eastern Canada for the repair and storage of all makes of automobile and radio storage batteries. Consult us for winter storage. King Square Battery Service, 48 King square.

BIRTHDAY PARTY. Master Douglas Hannon entertained a number of his small friends on Saturday from four to eight o'clock on the occasion of his ninth birthday. At supper there was a birthday cake, in which were small favors for all guests. Afterwards games and music were enjoyed by all. In "pin the tail on the donkey" first, second and booby prizes were given. The little fellow received many remembrances from his friends in honor of the day.

AMERICAN ANTHRACITE COAL FOR FELDERS. We have one car fresh mined stove or nut size hard coal to sell in limited quantities. Order No. 1 Union street, or 6 1/2 Charlotte street. J. S. Gibbon & Co., Ltd. 11-2

We are showing a large assortment of large Portet twill and Tricotine dresses, all styles, ranging from \$9.50 up. J. Perchanok, 38 Dock street. 11-4

BIRTHDAY PARTY. Master Douglas Hannon entertained a number of his small friends on Saturday from four to eight o'clock on the occasion of his ninth birthday. At supper there was a birthday cake, in which were small favors for all guests. Afterwards games and music were enjoyed by all. In "pin the tail on the donkey" first, second and booby prizes were given. The little fellow received many remembrances from his friends in honor of the day.

Why cutting the cuticle gives you ragged nail rims

WHEN you attempt to trim off the hard, dry cuticle about the base of the nail, you cannot help snipping through in places to the delicate nail root lying less than one twelfth of an inch below the surface

To heal these wounds, Nature immediately covers them with new tissue that is coarser than the rest of the cuticle, and this creates the ugly, jagged edge you are so anxious to do away with.

The surplus cuticle can be removed easily, quickly and harmlessly with Cutex Cuticle Remover. You just apply it about the base of the nails with an orange stick, rinse, and the ragged, dead skin that you used to trim off with such difficulty, will just wipe away. Cutex also makes an excellent nail bleach.

Then for the gleaming Lustre that you want for your nails, try the two new polishes that Cutex now offers you.

MADE IN CANADA. Mail this coupon with 12c. to-day

Northam Warren Dept. STT, 200 Mountain St., Montreal, Canada.

Name Street City and Province

Master Furriers Since 1859

Monday and Tuesday Only

Just at the beginning of winter, just when you must think seriously of your New Fur Coat, comes this most unusual opportunity—

A FINE FUR COAT, up to the customary MAGEE STANDARD of STYLE, QUALITY and WORKMANSHIP, and

MONDAY AND TUESDAY ONLY at so modest a price as to appeal to every woman.

\$150 \$160 \$190

These fine coats are of excellent quality of pelts, linings and workmanship—coats such as will add to the Magee reputation for Quality and Value.

These coats are of deep fur, carefully selected MUSKRAT, self-trimmed with either a gathered or straight shawl collar, deep cuffs with straight, flare or bell sleeves. Coat lengths are 39, 40 and 42 inches. If you would prefer a coat other than self-trimmed there are a few

RACCOON TRIMMED with reversible self border of three skin width. Regular price \$275 and \$300. \$240.00

The Magee Shop has built its reputation upon its excellent values. In this coat event the high standard is surpassed. That is why we are limiting the event for two days only.

D. Magee's Sons, Limited 43 King Street

Advance Showing of Toys, Dolls and Tree Ornaments

at very low prices.

Duval's "YOU PAY LESS HERE" 15-17 Waterloo St. Open every evening. Phone 1407

PAIR, MURRAY STREET. Nov. 1st to 4th. Come and see a kewpie. Door prize every night. Admission 10 cents. 2768-11-1

NOTICE TO CAR OWNERS. Having taken over the business formerly conducted by United Distributors, Ltd., 48 King square, we desire to announce to the public that we are now open for business on the old stand. We are the official Exide service station for St. John and vicinity and have all of the most up-to-date and best equipped shops in eastern Canada for the repair and storage of all makes of automobile and radio storage batteries. Consult us for winter storage. King Square Battery Service, 48 King square.

BIRTHDAY PARTY. Master Douglas Hannon entertained a number of his small friends on Saturday from four to eight o'clock on the occasion of his ninth birthday. At supper there was a birthday cake, in which were small favors for all guests. Afterwards games and music were enjoyed by all. In "pin the tail on the donkey" first, second and booby prizes were given. The little fellow received many remembrances from his friends in honor of the day.

AMERICAN ANTHRACITE COAL FOR FELDERS. We have one car fresh mined stove or nut size hard coal to sell in limited quantities. Order No. 1 Union street, or 6 1/2 Charlotte street. J. S. Gibbon & Co., Ltd. 11-2

We are showing a large assortment of large Portet twill and Tricotine dresses, all styles, ranging from \$9.50 up. J. Perchanok, 38 Dock street. 11-4

BIRTHDAY PARTY. Master Douglas Hannon entertained a number of his small friends on Saturday from four to eight o'clock on the occasion of his ninth birthday. At supper there was a birthday cake, in which were small favors for all guests. Afterwards games and music were enjoyed by all. In "pin the tail on the donkey" first, second and booby prizes were given. The little fellow received many remembrances from his friends in honor of the day.

Why cutting the cuticle gives you ragged nail rims

WHEN you attempt to trim off the hard, dry cuticle about the base of the nail, you cannot help snipping through in places to the delicate nail root lying less than one twelfth of an inch below the surface

To heal these wounds, Nature immediately covers them with new tissue that is coarser than the rest of the cuticle, and this creates the ugly, jagged edge you are so anxious to do away with.

The surplus cuticle can be removed easily, quickly and harmlessly with Cutex Cuticle Remover. You just apply it about the base of the nails with an orange stick, rinse, and the ragged, dead skin that you used to trim off with such difficulty, will just wipe away. Cutex also makes an excellent nail bleach.

Then for the gleaming Lustre that you want for your nails, try the two new polishes that Cutex now offers you.

MADE IN CANADA. Mail this coupon with 12c. to-day

Northam Warren Dept. STT, 200 Mountain St., Montreal, Canada.

Name Street City and Province

Master Furriers Since 1859

Monday and Tuesday Only

Just at the beginning of winter, just when you must think seriously of your New Fur Coat, comes this most unusual opportunity—

A FINE FUR COAT, up to the customary MAGEE STANDARD of STYLE, QUALITY and WORKMANSHIP, and

MONDAY AND TUESDAY ONLY at so modest a price as to appeal to every woman.

\$150 \$160 \$190

These fine coats are of excellent quality of pelts, linings and workmanship—coats such as will add to the Magee reputation for Quality and Value.

These coats are of deep fur, carefully selected MUSKRAT, self-trimmed with either a gathered or straight shawl collar, deep cuffs with straight, flare or bell sleeves. Coat lengths are 39, 40 and 42 inches. If you would prefer a coat other than self-trimmed there are a few

RACCOON TRIMMED with reversible self border of three skin width. Regular price \$275 and \$300. \$240.00

The Magee Shop has built its reputation upon its excellent values. In this coat event the high standard is surpassed. That is why we are limiting the event for two days only.

D. Magee's Sons, Limited 43 King Street

PAINESS EXTRACTION

Only 25c We make the BEST TEETH in Canada at the Most Reasonable Rates

Head Office: Branch Office: 527 Main St. 35 Charlotte St. Phone 683. Phone 38

DR. J. D. MAHER, Prop. Open 9 a.m. - - Until 9 p.m.

PAIR, MURRAY STREET. Nov. 1st to 4th. Come and see a kewpie. Door prize every night. Admission 10 cents. 2768-11-1

NOTICE TO CAR OWNERS. Having taken over the business formerly conducted by United Distributors, Ltd., 48 King square, we desire to announce to the public that we are now open for business on the old stand. We are the official Exide service station for St. John and vicinity and have all of the most up-to-date and best equipped shops in eastern Canada for the repair and storage of all makes of automobile and radio storage batteries. Consult us for winter storage. King Square Battery Service, 48 King square.

BIRTHDAY PARTY. Master Douglas Hannon entertained a number of his small friends on Saturday from four to eight o'clock on the occasion of his ninth birthday. At supper there was a birthday cake, in which were small favors for all guests. Afterwards games and music were enjoyed by all. In "pin the tail on the donkey" first, second and booby prizes were given. The little fellow received many remembrances from his friends in honor of the day.

AMERICAN ANTHRACITE COAL FOR FELDERS. We have one car fresh mined stove or nut size hard coal to sell in limited quantities. Order No. 1 Union street, or 6 1/2 Charlotte street. J. S. Gibbon & Co., Ltd. 11-2

We are showing a large assortment of large Portet twill and Tricotine dresses, all styles, ranging from \$9.50 up. J. Perchanok, 38 Dock street. 11-4

BIRTHDAY PARTY. Master Douglas Hannon entertained a number of his small friends on Saturday from four to eight o'clock on the occasion of his ninth birthday. At supper there was a birthday cake, in which were small favors for all guests. Afterwards games and music were enjoyed by all. In "pin the tail on the donkey" first, second and booby prizes were given. The little fellow received many remembrances from his friends in honor of the day.

Why cutting the cuticle gives you ragged nail rims

WHEN you attempt to trim off the hard, dry cuticle about the base of the nail, you cannot help snipping through in places to the delicate nail root lying less than one twelfth of an inch below the surface

To heal these wounds, Nature immediately covers them with new tissue that is coarser than the rest of the cuticle, and this creates the ugly, jagged edge you are so anxious to do away with.

The surplus cuticle can be removed easily, quickly and harmlessly with Cutex Cuticle Remover. You just apply it about the base of the nails with an orange stick, rinse, and the ragged, dead skin that you used to trim off with such difficulty, will just wipe away. Cutex also makes an excellent nail bleach.

Then for the gleaming Lustre that you want for your nails, try the two new polishes that Cutex now offers you.

MADE IN CANADA. Mail this coupon with 12c. to-day

Northam Warren Dept. STT, 200 Mountain St., Montreal, Canada.

Name Street City and Province

Master Furriers Since 1859

Monday and Tuesday Only

Just at the beginning of winter, just when you must think seriously of your New Fur Coat, comes this most unusual opportunity—

A FINE FUR COAT, up to the customary MAGEE STANDARD of STYLE, QUALITY and WORKMANSHIP, and

MONDAY AND TUESDAY ONLY at so modest a price as to appeal to every woman.

\$150 \$160 \$190

These fine coats are of excellent quality of pelts, linings and workmanship—coats such as will add to the Magee reputation for Quality and Value.

These coats are of deep fur, carefully selected MUSKRAT, self-trimmed with either a gathered or straight shawl collar, deep cuffs with straight, flare or bell sleeves. Coat lengths are 39, 40 and 42 inches. If you would prefer a coat other than self-trimmed there are a few

RACCOON TRIMMED with reversible self border of three skin width. Regular price \$275 and \$300. \$240.00

The Magee Shop has built its reputation upon its excellent values. In this coat event the high standard is surpassed. That is why we are limiting the event for two days only.

D. Magee's Sons, Limited 43 King Street

Men's Shirts

YOUR SHIRTS are best chosen here from our handsome selection of serviceable fabrics and smart patterns. They carry the guarantee of Forsyth, Tooke, Arrow and other makers; names that add reassuring value in the purchase of men's wear.

\$1.50 and up

GILMOUR'S 68 King Street Clothing, Tailoring, Furnishings

PAIR, MURRAY STREET. Nov. 1st to 4th. Come and see a kewpie. Door prize every night. Admission 10 cents. 2768-11-1

NOTICE TO CAR OWNERS. Having taken over the business formerly conducted by United Distributors, Ltd., 48 King square, we desire to announce to the public that we are now open for business on the old stand. We are the official Exide service station for St. John and vicinity and have all of the most up-to-date and best equipped shops in eastern Canada for the repair and storage of all makes of automobile and radio storage batteries. Consult us for winter storage. King Square Battery Service, 48 King square.

BIRTHDAY PARTY. Master Douglas Hannon entertained a number of his small friends on Saturday from four to eight o'clock on the occasion of his ninth birthday. At supper there was a birthday cake, in which were small favors for all guests. Afterwards games and music were enjoyed by all. In "pin the tail on the donkey" first, second and booby prizes were given. The little fellow received many remembrances from his friends in honor of the day.

AMERICAN ANTHRACITE COAL FOR FELDERS. We have one car fresh mined stove or nut size hard coal to sell in limited quantities. Order No. 1 Union street, or 6 1/2 Charlotte street. J. S. Gibbon & Co., Ltd. 11-2

We are showing a large assortment of large Portet twill and Tricotine dresses, all styles, ranging from \$9.50 up. J. Perchanok, 38 Dock street. 11-4

BIRTHDAY PARTY. Master Douglas Hannon entertained a number of his small friends on Saturday from four to eight o'clock on the occasion of his ninth birthday. At supper there was a birthday cake, in which were small favors for all guests. Afterwards games and music were enjoyed by all. In "pin the tail on the donkey" first, second and booby prizes were given. The little fellow received many remembrances from his friends in honor of the day.

Why cutting the cuticle gives you ragged nail rims

WHEN you attempt to trim off the hard, dry cuticle about the base of the nail, you cannot help snipping through in places to the delicate nail root lying less than one twelfth of an inch below the surface

To heal these wounds, Nature immediately covers them with new tissue that is coarser than the rest of the cuticle, and this creates the ugly, jagged edge you are so anxious to do away with.

The surplus cuticle can be removed easily, quickly and harmlessly with Cutex Cuticle Remover. You just apply it about the base of the nails with an orange stick, rinse, and the ragged, dead skin that you used to trim off with such difficulty, will just wipe away. Cutex also makes an excellent nail bleach.

Then for the gleaming Lustre that you want for your nails, try the two new polishes that Cutex now offers you.

MADE IN CANADA. Mail this coupon with 12c. to-day

Northam Warren Dept. STT, 200 Mountain St., Montreal, Canada.

Name Street City and Province

Master Furriers Since 1859

Monday and Tuesday Only

Just at the beginning of winter, just when you must think seriously of your New Fur Coat, comes this most unusual opportunity—

A FINE FUR COAT, up to the customary MAGEE STANDARD of STYLE, QUALITY and WORKMANSHIP, and

MONDAY AND TUESDAY ONLY at so modest a price as to appeal to every woman.

\$150 \$160 \$190

These fine coats are of excellent quality of pelts, linings and workmanship—coats such as will add to the Magee reputation for Quality and Value.

These coats are of deep fur, carefully selected MUSKRAT, self-trimmed with either a gathered or straight shawl collar, deep cuffs with straight, flare or bell sleeves. Coat lengths are 39, 40 and 42 inches. If you would prefer a coat other than self-trimmed there are a few

RACCOON TRIMMED with reversible self border of three skin width. Regular price \$275 and \$300. \$240.00

The Magee Shop has built its reputation upon its excellent values. In this coat event the high standard is surpassed. That is why we are limiting the event for two days only.

The Evening Times and Star
ST. JOHN, N. B., OCTOBER 31, 1922.

The St. John Evening Times is printed at 27 and 29 Canterbury Street, every evening (Sunday excepted) by The St. John Times Printing and Publishing Co., Ltd., a company incorporated under the Joint Stock Companies Act.

G. FRED FISHER'S PLATFORM

- No. 1—(a) The completion and signing of the contract with the New Brunswick Electric Power Commission for Musquash Power. (b) The appointment of an independent Civil Hydro Electric Commission to construct a Civic Distribution System and operate same.
- No. 2—Completion of Plans and Specifications for a Civic Distribution System.
- No. 3—That an offer be made by the city to purchase the entire property of the New Brunswick Power Company, at the sum named by the Supreme Court of New Brunswick, March 2, 1920, \$2,577,655.56. This sum to be the maximum and the offer to remain open for ten days only.
- No. 4—In the event of the offer not being accepted by the Power Company, in the time specified, the city to proceed immediately with the construction of its own distribution system.

A STRAIGHT ISSUE.

The man or woman who votes for Mr. McLellan on Nov. 13 will vote—Against light and power at cost. Against freedom from monopoly. Against the industrial expansion of the city. Against increased comfort and convenience in the homes of the people. Against a policy which has enriched the cities and towns of Ontario. Who will benefit by this vote? The New Brunswick Power Company. It will benefit at the expense of the people. If it should win the day the people would be at its mercy. They have been in the past, and they would have put their necks in the noose.

NO GUESS WORK.

If hydro development were in the experimental stage there might be good reason for hesitancy in relying upon that source for light and power, permanent stage in other parts of Canada as well as Ontario, and in a number of the American states. There is no guess-work about it. When competent engineers like those connected with the Musquash development stake their reputation on the ability of that water power to deliver an amount of electric energy they are speaking by the book. They know what has been done and is being done elsewhere under similar conditions. It is not, perhaps, unnatural that engineers who are opposed to public ownership, and whose sympathies are entirely with the private corporations, should express doubts and discover difficulties; because that is the bent of their minds; but to every theoretical objection may be opposed a successful accomplishment. St. John has nothing to fear. The power exists at Musquash and has already turned the wheels in the power house. It is there awaiting transmission to the factories, stores, offices and homes of the city. It can be delivered at a rate so cheap as to make the rates now paid appear as unvarnished extortion. All the people have to do is elect Mr. Fisher by a large majority, have the contract closed, and go fearlessly on to the accomplishment of that which will benefit every citizen and lead to the industrial expansion of the city.

BEAR WAS MISSING.

Queen's Mascot Found Digging In for Winter. Kingston, Ont., Oct. 31—There was a great stir around Queen's University when it became known that "Boo-Hoo," the cub bear mascot of Queen's football team, had disappeared from his quarters at the college arena. "Boo-Hoo" had a nice warm room, but evidently a recent snowstorm was a gentle warning for him to get into his hole for the winter. After a search that lasted until nearly noon, "Boo-hoo" was found under the skating arena, where he was endeavoring to burrow his way into a hole.

THE OLDFASHIONED WIFE.

With household cares and work her hands are full, Yet hides her worries 'neath a smiling mask; With cheerful words she sends the "chicks" to school, Then, happy in her home, resumes her task. To shun all things unwomanly, her aim, To ape the man is not her scheme of life; The cigarette, the Jazz, the gambling game She deems unworthy of her husband's wife.

HOPE A. THOMSON

Home is her kingdom, there she reigns supreme. Her government shall ne'er sustain a fall; Her ministry adorn Time's rippling stream. Endures through life, thus she is loved by all.

LIGHTER VEIN.

An electrically operated machine has been invented that moves along wire cables and covers them with red wire about as fast as twelve men could do the work by hand.

Longest Stretch.

Italy owns the longest stretch of electrified railway in Europe, covering a distance of about 170 miles, over which the trains travel in about two and three-quarter hours.

Arab Child Sentinels.

Standing guard on stone terraces that are grouped in commanding positions on the hillside vineyards of the Holy Land, Arab children of four and five years of age watch for wild animals and the no less rapacious human thieves. At the first sign of a jackal or band of robbers the little Arab mites will scream a warning in the native tongue that carries to the farthest extent of the vineyard.

PROHIBITION AIDS CHICAGO

Less Crime and More Thrift—Working Class Savings Bank Deposits Doubled Since 1918. Chicago, Oct. 31—Prohibition has bred a new thrift among Chicagoans of moderate means, according to the records of savings banks, which show a jump in deposits from \$249,436,913 in 1918, to \$506,086,968, in 1922. It also has had some effect on crime, as shown by the following, made up by the Chicago Crime Commission:

Murder Burglary Robbery

1919	380	6,108	2,912
1920	194	5,405	2,782
1921	190	4,774	2,880

The figures were submitted by Bishop Thomas Nicholson in an address before business men last week. He cited numerous bankers, real estate men and merchants as showing that prohibition is an excellent thing. Men who formerly passed their money over the bar are now buying homes, and, instead of the cottages costing \$1,500 they formerly bought, they are now building homes running to \$10,000. Real estate men say property values have increased one-third since prohibition.

"THE STORM" A THRILLING DRAMA

Wonderful Scenes in Big Picture Shown at the Imperial. "The Storm" at the Imperial yesterday was an instant success as a tremendously powerful out-door picture of Canadian life in the western mountain ranges, a story that introduced the external triangle love affair, some breath-taking canoeing in a raging torrent, an imprisoning blizzard and a devastating forest fire. The big theatre was packed both afternoon and evening, and although the picture is shown outside, it did not seem to prevent people from seeing the screen version of a storm inside. The story of the play-picture is most unusual. Matt Moore was a woodman, a blase rouser of the city, has seen "too much" women, and is beginning to love the straight, clean Northwoods. He saves Burr Winton (House Peters), a great, honest hulk of a woodman, from robbery and possible injury at the hands of a gang in a trading post where Burr came for supplies. A friendship develops which results in Burr taking David back with him to his valley trapping domain, where for four long months snow will hem them in where women never come—a pleasure for the jaded David. But a few days after the snow Burr is visited unexpectedly by Fachard, a Canuck snuggler (Josef Swickard), and his daughter (Virginia Hall). Fachard has been wounded by the Mounted and dies. Snow chains Burr and David with the girl for winter. They come from the second day, over Manette Fachard, and are pitifully to keep them friendly. When spring frees them a forest fire brings dramatic denouement that marks the girls' choice clear to her.

MANY LAUGHS IN

"Too Much Business," a Seven Reel Comedy Feature Picture. There is a laugh in every foot of "Too Much Business," a seven reel comedy shown at the Grand Theatre yesterday. It is based on a Saturday Evening Post story by Earl Derr Biggers. The story is woven around a young man who is enterprising enough, but lax in unmutuality. He also believes in taking time from business to read the "funny papers." He is strictly business-like, and he gives him a magazine to read an article on making life affairs. John Henry, disgruntled, throws the magazine on his desk and tears off his day calendar. "O.V." of Newberry falls upon the magazine obliterating the "11" in life and making the story read "Make your love affairs strictly business." Evidently John Henry believes in signs for he immediately conducts a business campaign to win the hand of his nearly blind girl. He is in a hurry to help him, oversteps her bounds and succeeds in getting the young man discharged. Although John Henry is with the boy threatening to prevent him from getting another, John Henry goes into business for himself and gets a position in a day where in which he gets too much business, and the complications that follow are exceptionally funny.

HARDING AGAINST SMALLER ARMY

President Opposes Suggestion to Cut Land Forces of United States. Washington, Oct. 31—President Harding took a firm stand last week against any further reduction in the size of the army in the preparation of the military budget for the construction of Congress at the approaching session. Anticipating another drive in Congress to cut the strength of the army to 100,000 men, or even less, the President, in a letter to Secretary of War Weeks, declared that "the army is now as small as should be contemplated, unless there should be a decided change in military conditions throughout the world."

MR. PEACOCK WILL SPEAK.

F. Peacock, director of vocational education for New Brunswick will go to Ottawa next week for the annual meeting of the Canadian Education Association which will be held November 1st, 2nd and 3rd. The last day will be devoted entirely to vocational education. Mr. Peacock will address the association Friday morning on the subject Vocational Education in Small Cities. He also will attend the meeting of the directors of the association. The address of Mr. Peacock will deal with the problem in its relation to cities from five to twenty-five thousand population. John Kyle, organizer of Technical Education for British Columbia will deal with the question as it affects places less than five thousand population.

"SILVER WINGS" PEASED MANY

Large Crowds See Fine Picture at the Queen Square Theatre. Last night at the Queen Square Theatre the audience saw one of the greatest photoplays of the year. It was "Silver Wings," a William Fox presentation, featuring Mary Carr, the famous player of "Over the Hill." Here is a simple picture that is as significant as anything the cinema has developed to date. In its intense and vital meaning, it is as profound as Hamlet, and in its visible manifestations it is too far above the vast majority of motion pictures. It has comedy relief, dramatic suspense, action and consistency and it is a masterpiece of the stage or motion picture. Once in a lifetime, may come to an observer of the stage or motion picture a work so fraught with possibilities, in rational humor teaching this nine reel photoplay that came to the Queen Square.

In social precept the picture is years ahead of the times, although the times are moving forward in this direction at a dizzy rate of speed. From the analytical and sincere people it ought to evoke something illuminating. The plot is simple. It concerns itself with a spoiled boy and a dutiful mother, but it is a remorseless dissection of the terrific consequences of family favoritism. It is primarily a story of mother love and maternal sacrifice and of wrenching family ruin and desolation. Translated into terms of real life, this story is an epochal revelation of human possibilities in the home.

FAVORITES AT OPERA HOUSE

Eugene Emmett and Jere McAuliffe With a Good Company are Welcomed. In a vivacious musical entertainment, "MacPherson's Picnic Party," the Emmett-McAuliffe company of Scotch and Irish players returned to the Opera House yesterday. The bill is on the Scottish order and featured by excellent vocal talent, big pipe solos, Highland flings, swifter dances and specialties. Eugene Emmett was heard to advantage in a series of old Irish songs, including, "Bring Back the Roses Macintyre," and "Little Town in the Old County Down." Mr. Emmett also appeared with Jim Daly in a well known song, "Buddy," Emmett, who scored in his rendition of "Say It While Dancing."

RE-POPULATING YPRES.

Two-thirds of Former Inhabitants Have Returned. London, Oct. 31—A Reuter despatch from Brussels says that in the past few months a considerable number of former inhabitants of Ypres have returned to the war-devastated city. Thirteen thousand people are now living in the ruins of Ypres. This represents over two-thirds of the population of Ypres and temporary huts.

PAID \$1,583 FOR "RIGHT" TO PEDDLE

Compelled to Move On by Police, Buyer of "Privilege" Has Alleged Seller Arrested. New York, Oct. 31—When Harry Friedman, of 728 Kelly Street, the Bronx, decided to go into the vending of wares on the street he started out to find a desirable locality and his steps naturally took him into the east side, where many persons live and most of them apparently spend much time in the streets. He found just the place he wanted—quite the most desirable spot in the teeming centre of population. With the site selected he started out to purchase the right to vend from that particular spot.

QUEBEC'S SYSTEM OF COLONIZATION HAS GOOD EFFECT

The Growth in Settlements Along N. T. R. Notable, Says Deputy Minister Bell—Great Crops on Prairies. Ottawa, Oct. 31—Directors of the Canadian National Railways have completed their tour of the system and have secured information of which they will make use when they meet to consider the requirements of the roads during 1923. Major Graham A. Bell, deputy minister of railways and a member of the directorate who returned to Ottawa today, said that the National Railways were beginning to feel the benefit of the construction and betterments carried out during the past few years. He stated that the railways had moved from the Prairie provinces to the head of the Great Lakes fifty per cent. more grain than they had moved at the same time last year. This applied to the Canadian Pacific Railway as well as to the government lines. Mr. Bell said that the decrease in freight rates had been felt by the railways, and the revenues of the National Railways in the months of September and October were about three million dollars less than they otherwise would have been. However, the grain crop in the western provinces and the excellent crops in other parts of the Dominion had increased the revenue of the railway business to such an extent as to compensate them for the reductions in rates. The wheat crop in the southern portion of the Prairie provinces, Mr. Bell said, was extraordinary, and was good in the northern districts. He did not think the average for the whole grain growing section of the country had ever been equalled.

MR. PEACOCK WILL SPEAK.

F. Peacock, director of vocational education for New Brunswick will go to Ottawa next week for the annual meeting of the Canadian Education Association which will be held November 1st, 2nd and 3rd. The last day will be devoted entirely to vocational education. Mr. Peacock will address the association Friday morning on the subject Vocational Education in Small Cities. He also will attend the meeting of the directors of the association. The address of Mr. Peacock will deal with the problem in its relation to cities from five to twenty-five thousand population. John Kyle, organizer of Technical Education for British Columbia will deal with the question as it affects places less than five thousand population.

QUEBEC'S SYSTEM OF COLONIZATION HAS GOOD EFFECT

The Growth in Settlements Along N. T. R. Notable, Says Deputy Minister Bell—Great Crops on Prairies. Ottawa, Oct. 31—Directors of the Canadian National Railways have completed their tour of the system and have secured information of which they will make use when they meet to consider the requirements of the roads during 1923. Major Graham A. Bell, deputy minister of railways and a member of the directorate who returned to Ottawa today, said that the National Railways were beginning to feel the benefit of the construction and betterments carried out during the past few years. He stated that the railways had moved from the Prairie provinces to the head of the Great Lakes fifty per cent. more grain than they had moved at the same time last year. This applied to the Canadian Pacific Railway as well as to the government lines. Mr. Bell said that the decrease in freight rates had been felt by the railways, and the revenues of the National Railways in the months of September and October were about three million dollars less than they otherwise would have been. However, the grain crop in the western provinces and the excellent crops in other parts of the Dominion had increased the revenue of the railway business to such an extent as to compensate them for the reductions in rates. The wheat crop in the southern portion of the Prairie provinces, Mr. Bell said, was extraordinary, and was good in the northern districts. He did not think the average for the whole grain growing section of the country had ever been equalled.

MR. PEACOCK WILL SPEAK.

F. Peacock, director of vocational education for New Brunswick will go to Ottawa next week for the annual meeting of the Canadian Education Association which will be held November 1st, 2nd and 3rd. The last day will be devoted entirely to vocational education. Mr. Peacock will address the association Friday morning on the subject Vocational Education in Small Cities. He also will attend the meeting of the directors of the association. The address of Mr. Peacock will deal with the problem in its relation to cities from five to twenty-five thousand population. John Kyle, organizer of Technical Education for British Columbia will deal with the question as it affects places less than five thousand population.

QUEBEC'S SYSTEM OF COLONIZATION HAS GOOD EFFECT

The Growth in Settlements Along N. T. R. Notable, Says Deputy Minister Bell—Great Crops on Prairies. Ottawa, Oct. 31—Directors of the Canadian National Railways have completed their tour of the system and have secured information of which they will make use when they meet to consider the requirements of the roads during 1923. Major Graham A. Bell, deputy minister of railways and a member of the directorate who returned to Ottawa today, said that the National Railways were beginning to feel the benefit of the construction and betterments carried out during the past few years. He stated that the railways had moved from the Prairie provinces to the head of the Great Lakes fifty per cent. more grain than they had moved at the same time last year. This applied to the Canadian Pacific Railway as well as to the government lines. Mr. Bell said that the decrease in freight rates had been felt by the railways, and the revenues of the National Railways in the months of September and October were about three million dollars less than they otherwise would have been. However, the grain crop in the western provinces and the excellent crops in other parts of the Dominion had increased the revenue of the railway business to such an extent as to compensate them for the reductions in rates. The wheat crop in the southern portion of the Prairie provinces, Mr. Bell said, was extraordinary, and was good in the northern districts. He did not think the average for the whole grain growing section of the country had ever been equalled.

MR. PEACOCK WILL SPEAK.

F. Peacock, director of vocational education for New Brunswick will go to Ottawa next week for the annual meeting of the Canadian Education Association which will be held November 1st, 2nd and 3rd. The last day will be devoted entirely to vocational education. Mr. Peacock will address the association Friday morning on the subject Vocational Education in Small Cities. He also will attend the meeting of the directors of the association. The address of Mr. Peacock will deal with the problem in its relation to cities from five to twenty-five thousand population. John Kyle, organizer of Technical Education for British Columbia will deal with the question as it affects places less than five thousand population.

QUEBEC'S SYSTEM OF COLONIZATION HAS GOOD EFFECT

The Growth in Settlements Along N. T. R. Notable, Says Deputy Minister Bell—Great Crops on Prairies. Ottawa, Oct. 31—Directors of the Canadian National Railways have completed their tour of the system and have secured information of which they will make use when they meet to consider the requirements of the roads during 1923. Major Graham A. Bell, deputy minister of railways and a member of the directorate who returned to Ottawa today, said that the National Railways were beginning to feel the benefit of the construction and betterments carried out during the past few years. He stated that the railways had moved from the Prairie provinces to the head of the Great Lakes fifty per cent. more grain than they had moved at the same time last year. This applied to the Canadian Pacific Railway as well as to the government lines. Mr. Bell said that the decrease in freight rates had been felt by the railways, and the revenues of the National Railways in the months of September and October were about three million dollars less than they otherwise would have been. However, the grain crop in the western provinces and the excellent crops in other parts of the Dominion had increased the revenue of the railway business to such an extent as to compensate them for the reductions in rates. The wheat crop in the southern portion of the Prairie provinces, Mr. Bell said, was extraordinary, and was good in the northern districts. He did not think the average for the whole grain growing section of the country had ever been equalled.

MR. PEACOCK WILL SPEAK.

F. Peacock, director of vocational education for New Brunswick will go to Ottawa next week for the annual meeting of the Canadian Education Association which will be held November 1st, 2nd and 3rd. The last day will be devoted entirely to vocational education. Mr. Peacock will address the association Friday morning on the subject Vocational Education in Small Cities. He also will attend the meeting of the directors of the association. The address of Mr. Peacock will deal with the problem in its relation to cities from five to twenty-five thousand population. John Kyle, organizer of Technical Education for British Columbia will deal with the question as it affects places less than five thousand population.

QUEBEC'S SYSTEM OF COLONIZATION HAS GOOD EFFECT

The Growth in Settlements Along N. T. R. Notable, Says Deputy Minister Bell—Great Crops on Prairies. Ottawa, Oct. 31—Directors of the Canadian National Railways have completed their tour of the system and have secured information of which they will make use when they meet to consider the requirements of the roads during 1923. Major Graham A. Bell, deputy minister of railways and a member of the directorate who returned to Ottawa today, said that the National Railways were beginning to feel the benefit of the construction and betterments carried out during the past few years. He stated that the railways had moved from the Prairie provinces to the head of the Great Lakes fifty per cent. more grain than they had moved at the same time last year. This applied to the Canadian Pacific Railway as well as to the government lines. Mr. Bell said that the decrease in freight rates had been felt by the railways, and the revenues of the National Railways in the months of September and October were about three million dollars less than they otherwise would have been. However, the grain crop in the western provinces and the excellent crops in other parts of the Dominion had increased the revenue of the railway business to such an extent as to compensate them for the reductions in rates. The wheat crop in the southern portion of the Prairie provinces, Mr. Bell said, was extraordinary, and was good in the northern districts. He did not think the average for the whole grain growing section of the country had ever been equalled.

MR. PEACOCK WILL SPEAK.

F. Peacock, director of vocational education for New Brunswick will go to Ottawa next week for the annual meeting of the Canadian Education Association which will be held November 1st, 2nd and 3rd. The last day will be devoted entirely to vocational education. Mr. Peacock will address the association Friday morning on the subject Vocational Education in Small Cities. He also will attend the meeting of the directors of the association. The address of Mr. Peacock will deal with the problem in its relation to cities from five to twenty-five thousand population. John Kyle, organizer of Technical Education for British Columbia will deal with the question as it affects places less than five thousand population.

Galvanized Sheet Iron

We have in stock for prompt delivery, Galvanized and Black Sheet Iron in the following gauges and sizes: Galvanized: 24 ga. 36 in. x 72 in. 80 in. x 96 in. 88 in. x 96 in. 26 ga. 36 in. x 72 in. 80 in. x 96 in. 88 in. x 96 in. 28 ga. 36 in. x 72 in. 80 in. x 96 in. 88 in. x 96 in. Black: 24 ga. 24 in. x 72 in. 24 in. x 80 in. 26 ga. 24 in. x 72 in. 28 ga. 24 in. x 72 in.

Phone Main 2540 11-17 King Street

McAVITY'S Heating Comfort and Economy—or Just a Fuel Burner?

There's all the difference in the world in furnaces. But make up your mind when you buy an ENTERPRISE PIPELESS FURNACE you buy infinitely more than a mass of metal fashioned into fire pot and drum. The Enterprise Pipeless Furnace is scientifically designed by skilled heating engineers and will send a steady circulation of clean, grateful, healthful heat to every nook and corner of your home at the minimum cost for fuel. With cold weather right at your door, you will be wise to DROP IN AND LEARN ALL ABOUT THE ENTERPRISE PIPELESS FURNACE. SEE HOW IT IS DESIGNED. EMERSON & FISHER, Limited

MEN'S DRESS BOOTS \$2.95

A Special Lot of Men's Dress Boots to be cleared at this ridiculously low price. All genuine Goodyear welts, some black, some brown. Possibly not all sizes of each, but all sizes in the lot. ALL RECEDE TOES and originally sold for \$6, \$7 and \$8. WIEZELBROS SUPERIOR FOOTWEAR 243 Union Street This is your Chance

A Wee-Bit O' Heat

is very necessary at this time of year. We have heaters of every description at prices less than you expect to pay. Why not come over and see them. There is one here to suit you no matter what your need. PHILIP GRANNAN, Limited 568 Main Street. Phone Main 365

Oxy-Acetylene Welding All Makes of Batteries

RECHARGED PAIRED BUILT With Genuine Exide Parts KING SQUARE BATTERY SERVICE 43 King Square

'GIMME' That means STROLLERS

The Cigarette with the original flavor 10 for 15 cents 25 for 35 cents Picture of a Movie Star in every package.

POOR DOCUMENT M C 2 0 3 5

THE EVENING TIMES AND STAR, ST. JOHN, N. B., TUESDAY, OCTOBER 31, 1922

FIFTEEN MINUTES OF RADIO EACH DAY

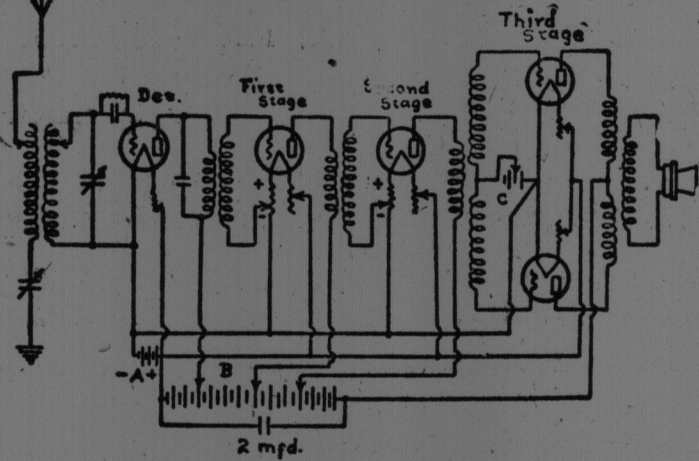
By Edward N. Davis

Formerly Technical Electrical Expert For U. S. Government

Lesson No. 142.

MULTI-STAGE AMPLIFICATION.

(All Rights Reserved by United Feature Syndicate. Reproduction Prohibited) Efficient amplification, that is, amplification which secures the maximum increase in signal strength, without distortion, is secured only when the elements of the amplifying circuit are so mechanically arranged, electrically connected and properly adjusted, as to conform to the critical values necessary for magnifying the incoming signal.



The accompanying diagram shows a typical arrangement embodying a detector and three stages of audio-frequency amplification and includes several important features which may be used to illustrate certain valuable points necessary for satisfactory operation.

In the detector circuit, the use of the grid condenser increases the sensitivity of the circuit and greatly improves the rectifying action, as owing to the addition of this condenser the incoming signals always cause a decrease in the average value of the plate current regardless of whether the normal value of the plate current is located on the straight or curved portions of the characteristic curve.

It will be recalled that the characteristic curve, which shows the relation existing between various values of grid voltage and the corresponding values of plate current, has the shape of an elongated letter "S" and that with no grid condenser it is necessary to use either the upper or lower curved portions of the characteristic curve to secure proper rectification. The insertion of the grid condenser, therefore, has the decided advantage of permitting rectification on any portion of the characteristic curve. Shunting the grid condenser by a high resistance known as a "grid leak" supplies a path for "leaking off" the accumulation of electrons, on the grid, which otherwise would maintain the grid at a negative potential.

If a by-pass condenser of approximately .005 microfarad capacity is so connected in the plate circuit as to shunt the primary winding of the transformer, the radio-frequency fluctuations of the plate current will pass easily through this condenser instead of through the high reactance of the primary winding. The low-frequency fluctuations of the plate current, however, will flow through the primary of the transformer due to the high reactance of the condenser. This results in more efficient rectification.

In the first and second stages of amplification, it will be noted that in order to prevent distortion of the input voltage, the grid in each of these two stages is maintained at a constant, small, negative, potential by inserting a variable resistance of approximately 8 ohms in the filament circuit. By adjustment of the sliding contact, the proper value of grid bias potential is obtained, this value depending upon the variation of the impressed grid voltage.

DINNER SETS

AT EXCEPTIONALLY LOW PRICES
English Semi-Porcelain in the well known "Bridal Rose" design with Gold Edge.
97 pieces \$33.75

W. H. HAYWARD CO.
LIMITED
85-89 PRINCESS STREET

The third stage of amplification utilizes the valuable features of the "push-pull" circuit, which employ two tubes connected in the same manner as a single voltage variations, owing to the fact that the input voltage is divided equally between the two tubes. By this method of connection, input voltage variations may be used which have twice the magnitude allowable with a single tube and the resulting output is consequently greatly increased.

For maintaining the proper negative potential on the grids, with respect to the filaments, in the third stage, a grid bias or "C" battery is used. This battery consists of a number of amdry cells, provided with an adjustable connection so that the current value of negative potential may be impressed upon the grids.

Connections are made at various points on the "B" battery in order to supply correct voltage for the plate circuit of the detector and for the plate circuits of the various stages of amplification. In order to prevent "howling" due to current variation in the "B" battery a condenser of approximately two microfarad capacity, in shunt to this battery.

It is apparent, therefore, that multi-stage amplification necessitates careful adjustment of a number of elements in order to secure magnification of the incoming signals, without distortion.

RECENT WEDDINGS

McAllister-Woods.

Miss Mary Woods of Parrsboro, N. S., and John McAllister, formerly of Parrsboro, now of this city, were united in marriage recently by Rev. C. R. Harris. They left on a honeymoon trip to Charlottetown, P. E. I., and on their return will reside in this city.

RECENT DEATHS

Allan Ferguson.

Clyde Ferguson of Guilford street, West St. John, received word yesterday that his brother, Allan, had been killed in Dorchester, Mass. No particulars were given. He was thirty-five years of age.

Mrs. Annie Collins.

Mrs. Wm. Fiddie, 20 Simonds street, received word that her mother, Mrs. Annie Collins, had passed away at her home in Ponders End, England, after an illness of ten months. She is survived by four sons and eight daughters.

Mrs. William Gold.

The death of Mrs. William Gold occurred in Malden, Mass., on October 18. She was a daughter of Mr. and Mrs. E. J. Johnson of Oak Point. Besides her husband she is survived by her parents and two brothers.

Tender Bones Need Tender Treatment

Stiff, unyielding shoes — shoes that chafe and rub — shoes that cramp and crowd the toes — will injure your child's feet.

The little toes are tender — the bones soft. They must be protected.

HURLEBUT SHOES FOR CHILDREN

with their soft pliable uppers, soft flexible cushion soles and broad nature shaped toes protect the feet.

They give room to grow for every toe.

Of highest quality, they insure the lowest cost per day of wear. Our clerks know how and will fit your children correctly.

McROBBIE

Foot St. John 50 King Street



It was a great time for all of us when the scientist waked up to the everyday life and problems of the folks about him. Among the many things he's done is showing the way to better sleep.

What Science has to say about your night's rest

Man was created to stand upright. So people got the impression that he lies out flat in sleep. Far indeed from the truth. The human body is a thing of curves. Of weight very unevenly distributed.

Simmons alone, among makers of sleeping equipment, seems to have taken full account of these elementary facts.

So you hear people everywhere distinguishing Simmons Bed Springs as the bed springs built for sleep.

You find the Simmons Spring supporting the body, where the old-type spring let the sleeper down into a hollow.

A Simmons Spring is taut and firm—and with that elasticity that only Simmons knows how to put into a spring. Because by the practical application of science—Simmons has discovered how to build a spring that is always level, while still conforming to the curves and weight of the body in every sleeping position.

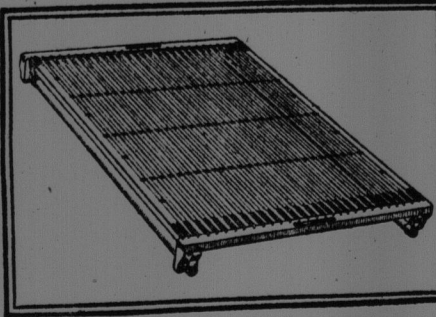
Be sure to see the Simmons Label on Bed, Spring and Mattress before you buy

The Simmons Label is your assurance of sleeping equipment built for sleep. All genuine Simmons Beds, Springs and Mattresses have it. No others have.

Simmons Springs—Built for Sleep \$5.50 to \$50.00

Simmons Beds—Built for Sleep \$8.00 to \$75.00

Simmons Mattresses—Built for Sleep—\$10.00 to \$60.00



The "Slumber King" Spring—\$13.50 Utilizing the elasticity of metal slats in balanced combination with the tension of helicals.

SIMMONS BEDS Built for Sleep

HELPING SICK FRIEND PROVES EXPENSIVE

Bridgburg, Oct. 31—Helping out a sick lady friend proved an expensive expedient for Kelly Clement of Crowland township. He was found in the residence of Mrs. Goings in that township. Her house was about to be searched by officers for liquor when Clement was found with a pop bottle full in his pocket.

He said Mrs. Goings was ill and he had given her a dollar to purchase some for herself. She had just brought back the bottle when the official visit was made. It was in his pocket, where he played it when he first heard sounds of an approach.

The woman in the case denied the story. She said she had no connection with the liquor at all. It cost Clement \$200 to settle the case.

WOMEN'S CANADIAN CLUB.

A meeting of the executive of the Women's Canadian Club was held in the home of the president, Mrs. W. E. Raymond, Germain street, yesterday. Arrangements were made for the decorating of the memorial tablet in the post office on Armistice Day. Arrangements were also made for the lecture to be given by Rev. King. Mr. King is to speak here during Canadian authors' week and is coming under the auspices of the Canadian authors' association. Mrs. Gordon Macdonald, corresponding secretary, and Miss Katherine Bell, recording secretary, tendered their resignations, but agreed to hold office until their successors are appointed.

FREDERICTON PERSONALS.

(Gleaner Saturday.)
Mrs. J. M. Goodspeed will leave in a few days for Boston en route to Florida, where she will spend the winter.
Miss Dora Johnson of Chatham, who



Teach Children To Use Cuticura Soap

Because it is best for their tender skins. Help it now and then with touches of Cuticura Ointment applied to first signs of redness or roughness. Cuticura Talcum is also excellent for children.

See the One-Cent and Six-Cent Tablets Sold throughout the Dominion. Canadian Depot: Largest United States and Foreign Wholesale Dispensary, 240 St. Paul St., Montreal, Quebec. Cuticura Soap shaves without mess.

Stores open 8.30 a.m. Close 6 p.m. Saturday 10 p.m. Phone Main 2400.

Sale of Velveteens

Commencing Wednesday Morning

In the Wash Goods department, front store, we will place on sale a range of Fall colors of Velveteen at the remarkably low price 98c per yard.

The colors are Sapphire, Purple, Camelia, Grenat, Navy, Mole, Smoke, Beaver and Brown.

Don't fail to take advantage of this special offer.

Wednesday Morning—Wash Goods Department.

Women's Neckwear

New Bertha Collars in net and lace.

Bertha Sets of net and lace and in voile and lace.

Vel-ette Collars, Tuxedo shape.

Collar and Cuff Sets of vel-ette in White and Combinations of white and colors.

Peter Pan Collars and Sets of P. K. Organdie, Flannel and Lace.

Tuxedo Sets of Drawn-work Voile, also in Filet Lace with drawn-work.

Vestees of various styles in Lace Organdie and Eyelet Embroidered.

Lace Tuxedo Collars for Coats.

Fibre Silk Scarfs in all the new shades and combinations of colors; also in white and black.

Fancy Evening Scarfs in many designs, including Printed Chiffons, Sequins in black and white net, embroidered in Silver Glow; also Liberty Scarfs.

Large Assortment of Boutonnieres for Dresses and Furs.

Neckwear Department—Annex.

Enquire About the Unusual Opportunity we offer to buy a HOOVER Vacuum Suction Sweeper

Manchester Robertson Allison Limited
KING STREET GERMAIN STREET MARKET SQUARE

was visiting friends here, has gone to St. John for a few days before returning home.

Mr. and Mrs. Fred Payne, of Lincoln and the Misses Reynolds of East Riverside, Kings county, have returned after an automobile trip to St. Stephen, where they were the guests of Mrs. Louis Abbott and Miss Nan Bixby.

110 JAIL SENTENCES.

Paris, Oct. 31—France has produced the record holder of jail sentences. He is a man named Sarrigetti, who has 110 sentences to his credit. The man is forty-six years old, which gives him an approximate average of one for

every five months of his life behind bars.

Sarrigetti's falling in vagabondage and mendicancy. Arrested on the former charge at Angoulême he was given six months in prison by the court.

MILLIONAIRE IS JAILED, DRIVES AUTO WHEN DRUNK

Kalamazoo, Mich., Oct. 31—Merrill B. King, millionaire president of the Rex Paper Company of this city, convicted of driving an automobile while intoxicated, was sentenced to serve forty-five days in jail. He was taken to the "millionaire's cell," which formerly was occupied by John Duval Dodge of De-

troit, when that young scion of wealth was arrested on a similar charge.

King, when arraigned, pleaded guilty, and his counsel, by pleading for three hours, succeeded in having sentence reduced from sixty to forty-five. It was the tenth time Merrill had been arrested during the last ten years, but the first time he was given a jail sentence.

Golden Wedding.
Mr. and Mrs. Anson Peterson of Maryville celebrated their golden wedding the tenth time Merrill had been arrested during the last ten years, but the first time he was given a jail sentence.

The Popular Cloth Dress

of Tricotine, Poiret twill and Serge, play their part in the mode



The straight line frock may be draped or slashed to introduce the panel of a different fabric and color, or again it may be cut on strictly coat lines. A touch of vivid coloring is usually found on collar, cuffs or vest.

Reasonably priced \$22.50 up

LONDON HOUSE

F. W. Daniel & Co. Head of King St.

DIAMONDS

What a satisfaction there is in buying diamonds of a reputable concern, that deals only in quality merchandise, and whose guarantee and advice may be depended upon absolutely.

Diamonds that enhance in value as the years roll by, must be of the highest grade, perfectly cut, and rightly bought. Stones of ordinary quality are not rare, and will not attain any great value at any time.

Let us show you some gems and demonstrate new ways of mounting them, that will materially enhance their attractiveness.

FERGUSON & PAGE

THE JEWELLERS - - - 41 KING STREET

Amdur's Bargain Bulletin No. 21

Wednesday Morning Only
9 to 11 O'clock

Ladies' Winter Coats

\$15

New in Design; New in Material—at a Record Price

\$15 Velour Coats, \$25 value, embroidered, with Beaverine collar and cuffs. \$15 Herringbone, plaid back Coats, \$25 to \$35 value; English imported cloth in various popular shades.

Beyond doubt, these coats are the outstanding offer of the season. They are absolutely a most attractive bargain.

Amdur's, Ltd., No. 1 King Square

DRUG RING KING OUTWITS POLICE

Slips to Safety Through a Trap Door in Motor Patrol—Big Haul of Dope.

Toronto, Oct. 31.—Nicholas Lanni, regarded by the police as the "king" of the drug ring in Toronto, made a sensational escape from the motor patrol in front of 39 Christopher street.

Quality is absolutely guaranteed by this trade mark YOUR DEALER CAN SUPPLY. Write for booklet on Special Purchase.

CANADA FURNITURE MANUFACTURERS WOODSTOCK ONTARIO. 17 Manufacturers of all classes of household and office furniture

"For the Home" Hotpoint

It Rests the Wrist

When using the Hotpoint Electric Iron the thumb rests on a firm projection, thus entirely eliminating the strain and severe strain on the wrist obtained by using the old style irons.

TRAGIC DEATH OF MRS. CAPLAN

Actress Who Was in Halifax Perished on Steamer Bound for Boston.

(Halifax Chronicle) A very pathetic story of the sea is told in the Boston Advertiser in connection with the death of Mrs. Tina Davis Caplan of the theatrical company which played at Acker's Theatre here recently.

For Quality MAPLE LEAF MATCHES

Call for them by name—it is your Safeguard

ASK BOYS TO ABANDON THEIR HOLLOWEEN PRANKS

Port Arthur, Oct. 31.—The Kiwanis Club at the weekly dinner decided to conduct an educational campaign in the public schools of both cities asking the pupils not to be destructive on Halloween, but to confine their pranks to innocent fun.

BETTER COOKING

It is wonderful what a help Oxo is in the kitchen. Oxo means good food every day and good health all the year round.

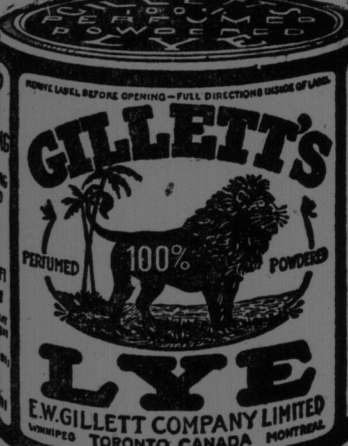
OXO Use the Want Ad. Way

TWO FLYERS ARE KILLED IN AIR

(Canadian Press Despatch) Honolulu, Oct. 30.—Lieutenant Thomas V. Hynes and Sergeant Rosows, sixth United States pursuit squadron, Luke Field, were killed, and Captain T. W. Allen and Lieutenant A. F. Hebbard, Schofield barracks, were injured when two army airplanes collided today.

UNITED STATES WISHES OBSERVERS AT CONFERENCE

Paris, Oct. 30.—The attitude of the United States government as regards the peace conference at Lausanne for the settlement of Near Eastern questions was communicated to Premier Poincaré this evening by United States Ambassador Myron T. Herrick.



TO TELL ALLIES TURKS WILL GO TO LAUSANNE

Constantinople, Oct. 30.—Hamid Bay, the Nationalist representative in Constantinople, late tonight, received a note from the Ankara government for presentation to the Allied high commissioners accepting the invitation of the Allies to the peace conference at Lausanne.

FRESHMEN GASSED SOPHS IN TORONTO

More Than Score of Students Had to be Taken Away in Ambulances.

Toronto, Oct. 31.—Led by a lieutenant-colonel, who although he is a freshman, saw much service in France, freshmen students at the School of Practical Science at the University of Toronto, made a gas attack on the sophomores who were planning to give their juniors an old-fashioned hazing.

SAVED GIRL'S LIFE, JUDGE IS LENIENT

Heroic Act of a Windsor Youth Cause of Sentence Being Suspended.

Windsor, Oct. 31.—James White, 19 years old, found guilty of breaking and entering a store, drew suspended sentence in the police court here because he saved a little girl from drowning off the government dock here three months ago.

GIRLS IN DANCE HALLS.

Paris, Oct. 31.—On the heels of the decree issued forbidding the sale of imitations of absinthe, the prefect of the department of Eure has published this order.

1,182 TRILLION RUBLES. Soviet Finance Commissioner Gives Official Figures of Paper Issue.

Moscow, Oct. 31.—Millions and billions mean little nowadays in reckoning the affairs of the Russian Soviet government, according to Finance Commissioner Sokolnikov. In a report to the Workers' and Peasants' Parliament he estimated that the Soviet ruble in circulation amounted to 1,182 trillion.

GAGS AND ROBS JEWELER

Masked Man Gets \$1,250 in Watches and Cash at New Rochelle.

BOATLOAD OF BEER SINKS IN ST. CLAIR

Six Hundred Cases With Wreck Will Be Blown Up.

OLIVER LODGE CONCERT.

Oliver Lodge, No. 9, I. O. O. F., held an open night and concert in their hall, Germain street, last night, and a delightful evening was spent.

LIFTED THE GUN BY THE MUZZLE; KILLED

Trigger Accidentally Pulled and Lad Was Fatally Injured.

Simcoe, Ont., Oct. 28.—Young Willie Ferris, aged sixteen years, whose widowed mother, Mrs. M. M. Ferris, resides at Turkey Point, died at his brother's home in Normandale as the result of gunshot wounds inflicted accidentally.

Advertisement for Red Rose Tea with a box illustration and text: "Old friends are best"—RED ROSE TEA has a multitude of them—often three generations in one family.

Advertisement for Holeproof Hosiery: It wears and wears and wears!

Large advertisement for Quaker Oats: Get the FREE Quaker Cooker to Cook Your Quaker Oats. Quaker Oats cooked in the ordinary way are good—cooked in the Quaker way they are more appetizing, more nourishing and more readily digested than any other cereal.

Large advertisement for Eggs: "I Want to Buy Eggs According to Grade". YES, Mr. Brown. I think you should sell graded eggs. Other grocers do. Eggs for export are graded. Why can't you sell your eggs that way? I want to buy eggs according to grade.

POOR DOCUMENT

M C 2 0 3 5

THE EVENING TIMES AND STAR, ST. JOHN, N. B., TUESDAY, OCTOBER 31, 1922

7



These 8 Cars

of MAPLE LEAF MATCHES

Have been shipped during the past seven months to the following Wholesalers of St. John:

G. Bent & Sons
O. S. Dykeman
C. E. Barbour Co., Ltd.
Jones & Schofield
Puddington, Wetmore & Morrison, Ltd.
Geo. S. deForest & Sons, Ltd.

Percy B. Evans & Son
A. Malcolm
Northrup & Co.
King & McDonald
Thomas Gorman Ltd.
Baird & Peters
W. F. Hatheway & Co., Ltd.

H. W. Cole Ltd.
Hall & Fairweather Ltd.
T. Collins & Co.
Robertson, Foster & Smith, Ltd.
T. McAvity & Sons
S. Hayward & Co.
Emerson & Fisher Ltd.

This shipment of Eight Solid Carloads is

A TRIBUTE TO THE FAVOR THEY HAVE FOUND

IN ORDER THAT EVERY HOUSEHOLD in St. John may try and know these extraordinarily good matches we have arranged to deliver to YOU a

MAPLE LEAF COUPON

THE COUPON which your dealer leaves with you will be accepted by any St. John dealer as five cents (5c.) on the purchase of a fifteen-cent box of Maple Leaf Matches.

HOW MANY MATCHES DO YOU USE? There is hardly an item in such common use every day in the year. They are made to "light", yet this very function must be safeguarded, and in both of these important match essentials Maple Leaf Matches stand out alone.

These "Quality" Matches are the ultimate result of the combined experience and resources of the three match masters of the world—Bryant & May, The Diamond Match Co. and Maguire, Paterson & Palmer. You can DEPEND upon them.

Made in Canada—by Canadian labor.

For "Quality"—Maple Leaf Matches

Call for them by name—it is your safeguard.

SCHOFIELD & BEER, St. John
Brokers for New Brunswick

THE CANADIAN MATCH CO., LIMITED
Toronto—Montreal—Winnipeg



THE EVENING TIMES AND STAR, ST. JOHN, N. B., TUESDAY, OCTOBER 31, 1922

Times and Star Classified Pages

The Average Daily Net Paid Circulation of The Times-Star for the 12 Months Ending Sept. 30, 1921, Was 14,780
One Cent and a Half a Word Each Insertion; Cash in Advance. No Discount. Minimum Charge 25 Cents.

Want ads. on these pages will be read by more people than in any other paper in Eastern Canada.

Send in the Cash with the ad. No Credit for this class of Advertising.

FOR SALE

REAL ESTATE

FOR SALE—Brick House, 15 rooms, electric lights, running water, hot air heating, central location—Address Box H 87, Evening Times. 2865-11-8

FOR SALE—Semi-detached house. Bargain. Deal with owner direct—Phone M. 2839. 2869-11-6

FOR SALE OR TO LET—Summer hotel on river. Good proposition—H. E. Palmer, 102 Prince William St. Main 3861. 2772-11-1

FOR SALE—Winter residence at Fair Vale, modern. Large garden—G. H. Burnett, Box 34, City. 2738-11-4

FOR SALE—Attractive property, suitable for market gardening, acre and half of land, with henhouse, barns and dwelling house, having hot air furnace, bath and gravity water supply. Short distance from street car—Apply on premises, M. A. Stevens, Golden Grove Rd. Tel. M. 385. 2682-11-9

FOR SALE—Household furniture at 163 King St. East. Right hand bell. 2888-11-3

FOR SALE—Heating Stoves, various types and sizes—J. P. Lynch, 270 Union St. 2896-11-6

FOR SALE—Set Piece Dining Room Furniture—Apply after 6 o'clock, 189 Princess street, right hand bell. 2911-11-3

FOR SALE—Household effects, including piano, victrola and combination buffet and china cabinet, etc.—180 Metcalf St., Phone M. 729-21. 2888-11-3

FOR SALE—White Sewing Machine, new, \$25.00, carpenter's table, \$15, ladies' and gent's winter coats, \$5.00 each—22 St. David St. 2846-11-2

FOR SALE—Single Beds, Springs, Mattresses, Child's Bed Sulkie, \$7.00, almost new. Rayo Lamp, \$5.00—10 Sydney St., Phone 1633-21. 2761-11-1

FOR SALE—Set Tube cheap—80 Britain St. 2788-11-4

FOR SALE—Household Furniture, practically new. Owner leaving city, will sell cheap—Apply 88 Watson, corner King, West. 2628-11-1

FOR SALE—Upright Piano, good condition. No reasonable offer refused—Phone M. 458-11. 2478-11-1

FOR SALE—One Ford Touring Car, 1918 model, license, good tires, etc. One of the greatest buys we have had this year. Price \$150.—N. B. Car Exchange, Marsh Road. 2749-11-1

FOR SALE—Delivery Horse, H. P. Forstall. 2940-11-3

FOR SALE—Bay Mare, five years old—238 City Road. 2781-11-4

FOR SALE—Set Tube cheap—80 Britain St. 2788-11-4

FOR SALE—Household Furniture, practically new. Owner leaving city, will sell cheap—Apply 88 Watson, corner King, West. 2628-11-1

FOR SALE—Upright Piano, good condition. No reasonable offer refused—Phone M. 458-11. 2478-11-1

FOR SALE—One Ford Touring Car, 1918 model, license, good tires, etc. One of the greatest buys we have had this year. Price \$150.—N. B. Car Exchange, Marsh Road. 2749-11-1

FOR SALE—Delivery Horse, H. P. Forstall. 2940-11-3

FOR SALE—Bay Mare, five years old—238 City Road. 2781-11-4

FOR SALE—Set Tube cheap—80 Britain St. 2788-11-4

FOR SALE—Household Furniture, practically new. Owner leaving city, will sell cheap—Apply 88 Watson, corner King, West. 2628-11-1

FOR SALE—Upright Piano, good condition. No reasonable offer refused—Phone M. 458-11. 2478-11-1

FOR SALE—One Ford Touring Car, 1918 model, license, good tires, etc. One of the greatest buys we have had this year. Price \$150.—N. B. Car Exchange, Marsh Road. 2749-11-1

FOR SALE—Delivery Horse, H. P. Forstall. 2940-11-3

FOR SALE—Bay Mare, five years old—238 City Road. 2781-11-4

FOR SALE—Set Tube cheap—80 Britain St. 2788-11-4

FOR SALE—Household Furniture, practically new. Owner leaving city, will sell cheap—Apply 88 Watson, corner King, West. 2628-11-1

FOR SALE—Upright Piano, good condition. No reasonable offer refused—Phone M. 458-11. 2478-11-1

FOR SALE—One Ford Touring Car, 1918 model, license, good tires, etc. One of the greatest buys we have had this year. Price \$150.—N. B. Car Exchange, Marsh Road. 2749-11-1

FOR SALE—Delivery Horse, H. P. Forstall. 2940-11-3

FOR SALE—Bay Mare, five years old—238 City Road. 2781-11-4

FOR SALE—Set Tube cheap—80 Britain St. 2788-11-4

FOR SALE—Household Furniture, practically new. Owner leaving city, will sell cheap—Apply 88 Watson, corner King, West. 2628-11-1

FOR SALE—Upright Piano, good condition. No reasonable offer refused—Phone M. 458-11. 2478-11-1

FOR SALE—One Ford Touring Car, 1918 model, license, good tires, etc. One of the greatest buys we have had this year. Price \$150.—N. B. Car Exchange, Marsh Road. 2749-11-1

FOR SALE—Delivery Horse, H. P. Forstall. 2940-11-3

FOR SALE—Bay Mare, five years old—238 City Road. 2781-11-4

FOR SALE—Set Tube cheap—80 Britain St. 2788-11-4

FOR SALE

FOR SALE—GENERAL

FOR SALE—Five Knock-down Oak Cabinets, 34 inches deep, 33 wide, 48 high, with disappearing glass doors and adjustable shelving. Being sold to make room for new fixtures—A. Gilmore, 68 King St. 30-11-1

FOR SALE—About 50 pieces 2x10x12-0 Spruce Planks, almost new. Will sell for half price. See Mr. Stockton, Bank of Montreal, King St. 2900-11-1

FOR SALE—30 ft. Cabin Cruiser Hull. Price \$85.00.—Call Main 911-21. 2939-11-7

FOR SALE—Set Black Fox Fur. Reasonable. Lower bell, 99 Elliott Row. 2915-11-6

FOR SALE—Pipex Furnace—Main 2228-41. 2875-11-3

FOR SALE—Set Raccoon Furs—Apply 29 Johnston St. 2904-11-2

FOR SALE—Lloyd Loom Baby Carriage, perfect condition—Apply 249 Rockland Road, lower left hand bell. 2892-11-3

FOR SALE—"Story of the Bible," 10 volumes, 100 full page illustrations. Main 3697-11. 2838-11-1

FOR SALE—A Pair of Strauss Racing Tubacons—M. 1237-11. 2915-11-2

FOR SALE—Coat, size 36, almost new, Australian Opposum Collar, coat \$40. Sell for \$15.—Main 1898-61. 2763-11-1

FOR SALE—Baby Carriage, almost new—Phone 2682. 2793-11-1

FOR SALE—Talking Parrot—Apply Wm. Martin, Dufferin Hotel. 27-11-4

FOR SALE—Motor Boat. For further particulars apply John Jackson, South Wharf. 2639-11-1

TO LET—Furnished Front Room, comfortable, bath and heat. 11-11-1. Duke St. 2777-11-1

TO LET—Furnished Housekeeping rooms. Reasonable. Central—Main 4299-21. 2757-11-1

TO LET—Bedroom Sitting-room, kitchenette, heated, furnished—28 Duke St. 2775-11-1

TO LET—Furnished Rooms, 50 Peters Duke St. 2775-11-1

TO LET—Furnished Rooms, breakfast room—Phone 2283-21. 2718-11-4

TO LET—Furnished Rooms, heated. Gentlemen—25 Paddock St. 2679-11-2

TO LET—Large front light housekeeping room, furnished, with kitchen privileges, all cooking and heat. 11-11-1. 83 High street, 2nd floor. 2838-11-12

TO LET—Furnished Rooms—75 Pitt. 2956-11-2

TO LET—Furnished Bedroom. Gentleman, 72 Mecklenburg. 2482-11-1

TO LET—Furnished Rooms, breakfast room—Phone 2283-21. 2718-11-4

TO LET—Furnished Rooms, heated. Gentlemen—25 Paddock St. 2679-11-2

TO LET—Large front light housekeeping room, furnished, with kitchen privileges, all cooking and heat. 11-11-1. 83 High street, 2nd floor. 2838-11-12

TO LET—Furnished Rooms—75 Pitt. 2956-11-2

TO LET—Furnished Bedroom. Gentleman, 72 Mecklenburg. 2482-11-1

TO LET—Furnished Rooms, breakfast room—Phone 2283-21. 2718-11-4

TO LET—Furnished Rooms, heated. Gentlemen—25 Paddock St. 2679-11-2

TO LET—Large front light housekeeping room, furnished, with kitchen privileges, all cooking and heat. 11-11-1. 83 High street, 2nd floor. 2838-11-12

TO LET—Furnished Rooms—75 Pitt. 2956-11-2

TO LET—Furnished Bedroom. Gentleman, 72 Mecklenburg. 2482-11-1

TO LET—Furnished Rooms, breakfast room—Phone 2283-21. 2718-11-4

TO LET—Furnished Rooms, heated. Gentlemen—25 Paddock St. 2679-11-2

TO LET—Large front light housekeeping room, furnished, with kitchen privileges, all cooking and heat. 11-11-1. 83 High street, 2nd floor. 2838-11-12

TO LET—Furnished Rooms—75 Pitt. 2956-11-2

TO LET—Furnished Bedroom. Gentleman, 72 Mecklenburg. 2482-11-1

TO LET—Furnished Rooms, breakfast room—Phone 2283-21. 2718-11-4

TO LET—Furnished Rooms, heated. Gentlemen—25 Paddock St. 2679-11-2

TO LET—Large front light housekeeping room, furnished, with kitchen privileges, all cooking and heat. 11-11-1. 83 High street, 2nd floor. 2838-11-12

TO LET—Furnished Rooms—75 Pitt. 2956-11-2

TO LET—Furnished Bedroom. Gentleman, 72 Mecklenburg. 2482-11-1

TO LET

FURNISHED ROOMS

TO LET—Two Furnished Rooms with board—Box L 33, Times. 2903-11-8

TO LET—Furnished Room, breakfast room if desired—Hansen St., Main 1649-21. 30-11-1

TO LET—Furnished Front Bedroom, modern, central, reasonable—Tel. 2142-11. 2927-11-2

TO LET—Furnished Rooms, hot water heating, electric lights—Main 1898-61. 2942-11-3

TO LET—Room, furnished or unfurnished—49 Sewell. 2964-11-3

TO LET—Large Furnished Front Room—Main 3894. 2909-11-3

TO LET—Furnished Room. Gentleman—7 Mill street. 2912-11-2

TO LET—Furnished Room, 40 Horfield St. 2983-11-1

TO LET—Front Room, furnished, heated, central, use of phone and bath. Gentlemen—Apply Box L 32, Times. 2948-11-6

TO LET—One and two furnished rooms for light housekeeping—96 Dorchester St. 2838-11-2

TO LET—Furnished rooms for light housekeeping. Phone 2380-11. 2805-11-9

TO LET—Furnished Room, Russell House, 190 King St. East. 2816-11-1

TO LET—Furnished room, 84 Horfield. 2834-11-6

TO LET—Furnished or Unfurnished Rooms, near Kane's Corner and McAvity's Plant—M. 714. 2711-11-4

TO LET—Furnished Front Room, comfortable, bath and heat. 11-11-1. Duke St. 2777-11-1

TO LET—Furnished Housekeeping rooms. Reasonable. Central—Main 4299-21. 2757-11-1

TO LET—Bedroom Sitting-room, kitchenette, heated, furnished—28 Duke St. 2775-11-1

TO LET—Furnished Rooms, 50 Peters Duke St. 2775-11-1

TO LET—Furnished Rooms, breakfast room—Phone 2283-21. 2718-11-4

TO LET—Furnished Rooms, heated. Gentlemen—25 Paddock St. 2679-11-2

TO LET—Large front light housekeeping room, furnished, with kitchen privileges, all cooking and heat. 11-11-1. 83 High street, 2nd floor. 2838-11-12

TO LET—Furnished Rooms—75 Pitt. 2956-11-2

TO LET—Furnished Bedroom. Gentleman, 72 Mecklenburg. 2482-11-1

TO LET—Furnished Rooms, breakfast room—Phone 2283-21. 2718-11-4

TO LET—Furnished Rooms, heated. Gentlemen—25 Paddock St. 2679-11-2

TO LET—Large front light housekeeping room, furnished, with kitchen privileges, all cooking and heat. 11-11-1. 83 High street, 2nd floor. 2838-11-12

TO LET—Furnished Rooms—75 Pitt. 2956-11-2

TO LET—Furnished Bedroom. Gentleman, 72 Mecklenburg. 2482-11-1

TO LET—Furnished Rooms, breakfast room—Phone 2283-21. 2718-11-4

TO LET—Furnished Rooms, heated. Gentlemen—25 Paddock St. 2679-11-2

TO LET—Large front light housekeeping room, furnished, with kitchen privileges, all cooking and heat. 11-11-1. 83 High street, 2nd floor. 2838-11-12

TO LET—Furnished Rooms—75 Pitt. 2956-11-2

TO LET—Furnished Bedroom. Gentleman, 72 Mecklenburg. 2482-11-1

TO LET—Furnished Rooms, breakfast room—Phone 2283-21. 2718-11-4

TO LET—Furnished Rooms, heated. Gentlemen—25 Paddock St. 2679-11-2

TO LET—Large front light housekeeping room, furnished, with kitchen privileges, all cooking and heat. 11-11-1. 83 High street, 2nd floor. 2838-11-12

TO LET—Furnished Rooms—75 Pitt. 2956-11-2

TO LET—Furnished Bedroom. Gentleman, 72 Mecklenburg. 2482-11-1

TO LET—Furnished Rooms, breakfast room—Phone 2283-21. 2718-11-4

TO LET—Furnished Rooms, heated. Gentlemen—25 Paddock St. 2679-11-2

TO LET—Large front light housekeeping room, furnished, with kitchen privileges, all cooking and heat. 11-11-1. 83 High street, 2nd floor. 2838-11-12

TO LET—Furnished Rooms—75 Pitt. 2956-11-2

TO LET

FLATS TO LET

TO LET—Lower Flat, 161 Waterloo street, containing seven rooms, heated. Can be seen any afternoon. Telephone 943-21 or George H. Moore. 2908-11-7

TO LET—Flat, double parlors, four bedrooms, bath and electric. Corner Portland and Main St.—Phone M. 2897. 2974-11-6

TO LET—Heated Flat of seven rooms, location central. Immediate possession, steam heat, electric and gas—Apply Telephone 1401. 2928-11-2

TO LET—Self-contained House, rear 39 Paradise Row, 6 rooms. Rent \$15. Apply D. Boyanar, 111 Charlotte St. 2916-11-7

TO RENT—Small unfurnished flat, alterations to suit tenant. Will be ready in two weeks. Central—Box L V, Times. 2872-11-2

TO LET—Two Modern Flats, seven rooms each—250 Duke St. West, Phone M. 488. 2883-11-7

TO LET—Flat, 26 Chapel street, West Side—Phone M. 2838. 2869-11-6

TO LET—5 Room Flat, bath, electric, 84 Rockland Rd. Rent \$13. 2838-11-6

TO LET—5 Room Basement Flat, electric—Apply 673 Main St. 2847-11-6

TO LET—Seven room flat, Prince Edward street, electric, new plumbing—Apply 218 Princess. 2804-11-6

TO LET—Two connecting heated rooms, also two furnished bedrooms. 27 Elliott Row. 2810-11-4

TO LET—Two Flats—65 Prince Edward. 2809-11-6

TO RENT—Lower Flat, 7 Marsh St. Rent \$15 per month. Also Barn, Gilbert's Lane, suitable for feed auto storage—J. J. Wilkins, 50 Gilbert's Lane. 2780-11-4

TO LET—A pleasant modern flat, six rooms and bath. Present occupants leaving city—Phone Main 1888-21 for appointment. 2778-11-1

TO LET—At once, 4 roomed flat on Metcalf St.—Phone 4634-11. 2771-11-4

TO LET—Self-contained, modern new Flat, Holy St.—Apply 166 Bridge St. 2855-11-10

TO LET—Flat, Acadia St., facing harbor—Phone M. 1209-31. 2643-11-3

TO LET—Small Warm Flat, Somerset St. Phone 2283-21. 10-27-11-1

TO LET—Top Flat, 82 Richmond St. Phone M. 1480-11. 2668-11-4

HEATED FLATS TO LET, \$60.00—M. 2288-21. t.f.

TO RENT—From Dec. 1st, cosy Lower Flat, 5 rooms and bath, furnished, good cellar—71 Sewell St., or H. H. Scott, Oak Hall. 10-26-11-1

HEATED FLATS TO LET—Main 1455. 10-20-11-1

TO LET—Furnished Rooms, 50 Peters Duke St. 2775-11-1

TO LET—Furnished Rooms, breakfast room—Phone 2283-21. 2718-11-4

TO LET—Furnished Rooms, heated. Gentlemen—25 Paddock St. 2679-11-2

TO LET—Large front light housekeeping room, furnished, with kitchen privileges, all cooking and heat. 11-11-1. 83 High street, 2nd floor. 2838-11-12

TO LET—Furnished Rooms—75 Pitt. 2956-11-2

TO LET—Furnished Bedroom. Gentleman, 72 Mecklenburg. 2482-11-1

TO LET—Furnished Rooms, breakfast room—Phone 2283-21. 2718-11-4

TO LET—Furnished Rooms, heated. Gentlemen—25 Paddock St. 2679-11-2

TO LET—Large front light housekeeping room, furnished, with kitchen privileges, all cooking and heat. 11-11-1. 83 High street, 2nd floor. 2838-11-12

TO LET—Furnished Rooms—75 Pitt. 2956-11-2

TO LET—Furnished Bedroom. Gentleman, 72 Mecklenburg. 2482-11-1

TO LET—Furnished Rooms, breakfast room—Phone 2283-21. 2718-11-4

TO LET—Furnished Rooms, heated. Gentlemen—25 Paddock St. 2679-11-2

TO LET—Large front light housekeeping room, furnished, with kitchen privileges, all cooking and heat. 11-11-1. 83 High street, 2nd floor. 2838-11-12

TO LET—Furnished Rooms—75 Pitt. 2956-11-2

TO LET—Furnished Bedroom. Gentleman, 72 Mecklenburg. 2482-11-1

TO LET—Furnished Rooms, breakfast room—Phone 2283-21. 2718-11-4

TO LET—Furnished Rooms, heated. Gentlemen—25 Paddock St. 2679-11-2

TO LET—Large front light housekeeping room, furnished, with kitchen privileges, all cooking and heat. 11-11-1. 83 High street, 2nd floor. 2838-11-12

TO LET—Furnished Rooms—75 Pitt. 2956-11-2

WANTED

WANTED—FEMALE HELP

WANTED—Waitress. Royal Hotel. 2839-11-7

WANTED—Girls to work in Brass Foundry—Apply in person, I. McAvity & Sons, Ltd. 10-25-11-1

WANTED—Boy for Drug Store, one with experience preferred—Box L 37, Times. 2884-11-9

IS LURED 10,000 MILES FOR ARREST

Banking Company Official, Called from China, is Seized Upon Arrival in \$189,000 Case.

New York, Oct. 31 — Arriving in New York on Sunday after a trip of more than 10,000 miles, Henry Werblow, acting manager of the Asia Banking Corporation, was arrested on the charge of playing a part in one of the cleverest international banking frauds on record.



ARROW SHIRTS

THE Arrow label is a guarantee that the Shirt which bears it represents the latest and best achievements of a corps of trained and experienced shirt-making experts.

CLUETT, PEABODY & Co. OF CANADA, LIMITED

at first, it was said, because Henry had remained quietly at his post in the Orient. His manner of life was unchanged. His relationship to the alleged conspirators in New York and London was not known.

Another point which could not be cleared up yesterday was whether the conspirator who obtained the money had actually distributed shares to the Werblows of China and New York.

Robert Werblow during this time was working at the Chase National Bank in this city. It came to light finally that many cablegrams had been exchanged between them, and the officials of the two banking institutions finally became convinced that the Werblows were guilty.

The plot is believed to have been hatched in this city, making it possible for a trial to be held here, in spite of the fact that the actual commission of the alleged crime seems to have taken place in China and England.

The conspirators, it is charged, arranged for their scheme in such a way as to cast suspicion away from themselves and upon others. They were apparently under the impression that the bank and the detectives of China and England were all on the wrong trail.

Both brothers, it was said yesterday, were completely taken by surprise by their arrest, and protested their innocence.

According to a report from London, the conspirator in England, after obtaining the money, cabled a large part of it to China, where several thousand pounds were later recovered.

NEW ITALIAN CABINET NAMED

The new Italian cabinet of Benito Mussolini includes: Premier, minister of the interior and foreign affairs—Benito Mussolini.

Minister of war—General Armando Diaz.

Minister of marine—Vice-Admiral Thaon di Revel.

Minister of the treasury—Prof. Luigi E. Einaudi (Nationalist).

Minister of industry—Theophile Rossi (Nationalist).

Minister of finance—Signor De Stefani (Fascist).

Minister of the colonies—Luigi Federzoni (Nationalist).

Minister of liberated regions—Signor Ghisella (Fascist).

Minister of justice—Aldo Oviglio (Fascist).

Minister of education—Signor Gentile (Democrat).

Minister of agriculture—Luigi Capitanio (Fascist).

Minister of public works—Signor Carnazza (Nationalist).

Minister of posts and telegraphs—Signor Di Casazza (Nationalist).

Minister of social welfare—Stefano Cavazzoni (Catholic).

MOORE GOVERNOR OF LABOR OFFICE (Canadian Press Despatch)

London, Oct. 30—Tom Moore, of Canada, is among the six workers' delegates to the international labor congress elected to the governing body of the international labor office, says a Reuter despatch from Geneva.

BLIND MAN WINS LAW PRIZE

J. B. Maffa Awarded Columbia College Scholarship.

New York, Oct. 31—J. B. Maffa, a blind youth, twenty-three years old, was announced as one of the three winners of law scholarships in Columbia College.

The honor comes as the climax of a series of achievements in the short, brilliant history of this student—achievements including forcing his way past the rules which denied him entrance to the college four years ago, earning a living while studying, and participating successfully in athletics.

Maffa, who was blinded by a blast of dynamite at the age of nine, studied by himself, and at nineteen tried to enter Columbia. Upon being denied admission, he took the extension course offered by the university and in that first year made such a distinguished record for scholarship that he was admitted to the college as a sophomore.

Earning his living by giving exhibition checker games, where he played from eight to twenty men at once, he continued with his brilliant work as a student, finding time and talent in the meantime to win the Kilroe medal for the intercollegiate heavyweight wrestling championship and to undertake the duties of the vice-president of the sophomore class.

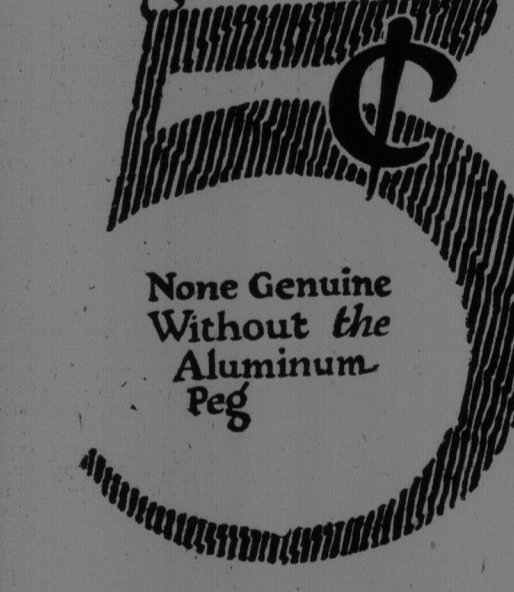
BIG SHIPS HAVE STORMY PASSAGE

Cherbourg, Oct. 30 — The Cunard Line steamer Aquitania arrived here this evening after a tempestuous voyage from New York and landed 200 passengers. The Saxonia also arrived. Owing to the tempest she took three

There's Joy in the Land!

He's Found it at Last

a really fine Cigar for



None Genuine Without the Aluminum Peg

Rockliff Tobacco Co. Limited

CHECK CIGAR "As Good as Gold"



The Price Tag Shows the Value

The price tag on Stanfield's Unshrinkable Underwear offers you the best underwear value in Canada.

Buying wool in enormous quantities, enables us to obtain the lowest prices.

Making hundreds of thousands of garments each season, keeps down the cost of production.

The steady demand for Stanfield's Unshrinkable Underwear in every section of the Dominion, means a very light marketing expense.

Thus, Stanfield's Unshrinkable Underwear represents the best quality and the best service at the lowest consistent prices.

Stanfield's Unshrinkable Underwear

It wears longer

Advertisement for OVIDO CIGARS, featuring an illustration of a cigar and text: CONGRESS SIZE, 10c, GUARANTEED HAVANA FILLED CIGARS.

MUTT AND JEFF—IT LOOKS LIKE A TOUGH OLD WINTER FOR JEFF

Comic strip panels showing characters talking about winter, subscriptions, and a newspaper. Speech bubbles include: 'LIFE SEEMS SWEETER NOW SINCE JEFF'S GOT A STEADY JOB FOR THE WINTER!', 'OH, HOW I HATE THAT GARAGE JOB! I'M OUT OF LUCK BUT I'LL GET EVEN WITH THAT PAPER!', 'LISTEN! CANCEL MY SUBSCRIPTION TO YOUR MEASLEY PAPER AT ONCE!', 'WHAT'S THE MATTER? DON'T YOU LIKE OUR POLITICS?', 'IT AIN'T THAT! MUTT LANDED ME A JOB BY ADVERTISING IN YOUR BLOOMING SHEET, DARN IT!'.

LIQUOR LAWS IN QUEBEC NO RESPECTER OF PERSONS Ottawa, Oct. 31—Alderic Bourgeois, 185 Montcalm street, Hull, son of a Hull city official, was convicted on four charges in Hull police court and sentenced to terms in jail that will aggregate one year, for violating the Quebec Liquor Act. Bourgeois had boasted that no officer had courage to prosecute him.

Advertisement for Exide BATTERIES, featuring the text: Exide BATTERIES, MADE IN CANADA, If you don't feel warranted in buying a new Exide Battery at this time, ask our nearest Service Station—before you consider getting a substitute make of battery—whether your present battery cannot be rebuilt with genuine Exide parts. Go to an Official Exide Service Station for Winter Storage—it will pay you. Exide Batteries of Canada, Limited, 153 Dufferin Street, Toronto.

Advertisement for EXCELSIOR LIFE INSURANCE COMPANY, featuring an illustration of a building and text: WORKING FOR YOURSELF, Life Insurance offers to capable, ambitious men of high character, a career of independence, with an assured future. In our Agency organization you can build up your own business, ever increasing in results. If interested, write in confidence. EXCELSIOR LIFE INSURANCE COMPANY, T. R. SMITH, Provincial Manager, St. John, N. B.

EXPERIMENT WAS SUCCESS. Strathroy Farmer Raised Sweet Potato Crop. Strathroy, Oct. 31—The people of this district have been for a long time proud of the variety and range of their climate and natural products, and now comes another proof of all this. W. S. Cochran, of Victoria street, is firmly of the opinion that sweet potatoes will grow just as well here as in their native soil of the Southern States. This summer he planted one potato in his garden, and on digging the hill recently was surprised to find no less than seventy-two tubers, some of them ten inches long, and all fine samples. The opening smoker of the Temple Club was held last evening in the

POOR DOCUMENT M C 2 0 3 5

THE EVENING TIMES AND STAR, ST. JOHN, N. B., TUESDAY, OCTOBER 31, 1922

SPORT NEWS OF A DAY; HOME AND ABROAD

RING.

Villa Winner.

(Canadian Press Despatch.)

Philadelphia, Oct. 30.—Pancho Villa, flyweight champion, won on points tonight in his contest with Patsy Wallace, local flyweight, who has twice met Jimmy Wilde. The bout went the full eight rounds. There were no knock-downs.

Johnny McIntyre Here.

Johnny McIntyre, welterweight, arrived in the city last evening from Gloucester, N. S. He will meet Joe Irvine, local middleweight, at an early date.

Montreal Bouts.

Montreal, Oct. 31.—Bert Schneider, local welterweight, won the judges' decision over Jack Thomas, local, in the feature bout last night. Johnny Rose, Toronto featherweight, earned the decision over Mickey Delmont, local. Henry Ford, Boston lightweight, was easily defeated by Gene Demois, local. All the bouts were ten rounds.

New Yorker Won.

Columbus, Ohio, Oct. 31.—Pete Zivich of New York, won the judges' decision over Phil O'Dowd of Columbus, in a 12-round bout here last night. Each weighed 117-1/2 pounds.

Bogash is Victor.

Bridgport, Conn., Oct. 31.—Louis Bogash of this city won a referee's decision over Young Fisher of Syracuse, in a 12-round bout here last night.

Siki to Box in U. S.

Siki, Senegalese boxer who defeated Georges Carpentier, will box in the United States sometime in February, according to an announcement of promoter Tex Rickard. Kid Norfolk, negro light heavyweight of Baltimore, will probably be his first opponent.

Germana Defend Titles.

Berlin, Oct. 31.—(Associated Press, by Mail)—Three German boxing champions successfully defended their titles all on the same bill here recently. Urban Gratz, the bantam-weight titleholder, won in seven rounds because his opponent's skull was so badly damaged by a head-on collision that his second was in the towel. The loser was "Phenomenon" Volkmer, who is more than forty years of age.

Hans Brettenstrater.

Hans Brettenstrater, Germany's heavyweight champion, knocked out the Belgian heavyweight champion, Jef de Paus, in six rounds. Richard Maunder, the German lightweight titleholder, defeated the Belgian boxer Claes on points, but the decision was not generally approved. Hans, Austria's lightweight champion, gave up in the sixth round to Ernest Grinn, a Berlin fighter.

The bill attracted one of the largest gates ever attended a German boxing programme, the spectators numbering more than 10,000.

Considerable interest was manifested here in Siki's sensational defeat of Carpentier, boxing fans recalling that Brettenstrater once battled the Senegalese to a draw.

ATHLETIC.

Normal School Athlete Suspended.

Donald Currie of Fredericton, student at Normal School, has been suspended until December 1 for pitching part of a game with the Fredericton professional baseball team last summer, according to a statement given out by A. W. Covey.

FOOTBALL.

Play For MacTier Cup.

Either the Dalhousie University football team or the Wanderers Club of Halifax will meet the McGill rugby team for the MacTier trophy, emblematic of the championship of Eastern Canada. A final game between the two Halifax clubs will be played

next Saturday and if the Wanderers win or tie they will represent the Maritime Provinces. If they lose another game will be necessary to decide the issue. So far the Wanderers have a win and two ties to their credit.

Would Have to Register.

A proposed rugby game between the High School team and one composed of 'old boys' has been abandoned as it was pointed out by A. W. Covey, president of the Maritime Branch of the A. A. U. of C., that the latter team would all have to be registered. It was intended to use the proceeds for securing a new outfit for the High School team.

St. F. X. Plans.

Antigonish, N. S., Oct. 31.—St. Francis Xavier College will not play in the maritime intercollegiate rugby league this fall, following difficulties in arranging dates for games with Dalhousie and Kings. The local team will play exhibition games in Charlottetown this week with the Abergvies and St. Dunstan's College teams there.

Whole Team Ordered Off Field.

Lebanon, Oct. 31.—(Canadian Press)—An incident unprecedented in the history of Rugby football occurred on Saturday during a match between Paignton and Newton Abbot, early in the second half when Paignton was leading by seven points to nil. A Newton player was ordered off and a few minutes later the referee sent the remainder of the Newton Abbot team off, alleging indiscriminate and deliberate kicking by the forwards.

WRESTLING.

Turk Loses Bout.

Cleveland, Oct. 31.—John Erko, Jugoslavia heavyweight, defeated Youssaf Hussain, Turkish wrestler, here last night. The fall came after fifty-seven minutes, with a barbed Hussain's wrist was injured so badly he was unable to go on for the second fall.

BOWLING.

Games Last Evening.

In the Commercial League Emerson & Fisher took four points from Vassie & Company's quintette. The winners totaled 1297 and the losers 1154.

In the Manufacturers' League a team from James Pender & Company took three out of four points from the Imperial Oil. The winners totaled 1288 and the losers 1224.

In the Wellington League the G. W. V. A. team took four points from the Schofield Paper Company's quintette. The winners totaled 1294 and the losers 1233.

In the Y. M. C. I. House League the Owls and Sparrows split even each taking two points. The former team totaled 161 and the latter 138.

BASKETBALL.

Central Baptist Team Wins.

In the Central Baptist gymnasium last evening the home team defeated the German street Baptist Taxis boys, 16 to 5.

CONCLUDES FALL PRACTICE.

Williamstown, Oct. 31.—Coach Jack Coombs of the Williams baseball team concluded fall practice here last week. He has departed for Texas, where he will spend the winter. Coombs will return early in March to take charge of the Purple squad in the cage.

Fall workouts for the diamond candidates were held here for six weeks, with the varsity and freshman squads practicing separately. Toward the end of the drills, the two nines played a series of games in which the first year men showed plenty of promise. Coach Coombs will return in the spring prepared to pick out varsity material without wasting time in experimenting. It is predicted that several of the Purple veterans will be forced to fight hard to hold their positions on account of the freshman opposition.

Use the Want Ad. Way

"The National Smoke"

WILSON'S BACHELOR

Still the most for the money 10c.

ANDREW WILSON & CO. TORONTO

IS OUTSTANDING CANADIAN AUTHOR.

Basil King is to Give an Address in St. John Soon.

Quality Chocolates

A fresh supply just received

Also New Figs

MARY ANN'S 79 KING ST.

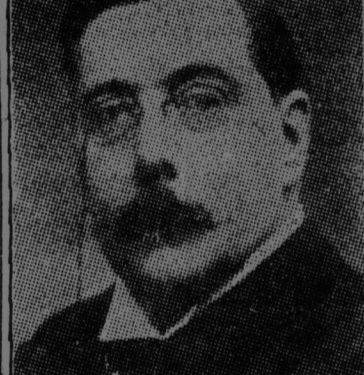
Perhaps the most distinguished figure among the great Canadian masters of the pen who have been prominent during Canadian Authors Week, is Basil King, whose presence from across the border has endeared him to every man, woman and child to whom he has spoken during the period of his stay in Canada.

Mr. King was born in Charlottetown, P. E. I. He is a Cosmopolitan, however, as most writers are wont to be, and has just spent the past season abroad. His permanent place of residence is an historic place in the United States—for he occupies the famous old

into print. I never broke in, I fell in. Early in the nineteenth century, at a time when I thought all yearning for authority dead, an idea came to me while on a train, which I thought might make a good short story. Falling before the temptation, I began writing the story that night, finishing it two or three days later. On sending it to the Atlantic I was amazed to find it accepted and paid for at once—and published within a few months. A writing career was further precipitated by the fact of partially losing my sight. On the day when I realized my eyes were going, I bought a typewriter. If the worst came to the worst, I know I could learn to work as a blind man plays the piano. The worst did not come to the worst, though it came to the worst, but I have since been able to prove, the house of imagination, invalid, a refuge from all trouble.

A Host of Triumphs.

From the first, his inscripational trend of mind has coloured his work, and hand in hand with his great pieces of fiction, have come those truly triumphant books of his, on the life of the spirit, its ways to accomplishment, strength and conquest. "The Street Called Straight," "The City of Comrades," "The Abolishing of Death," "The Threat of Flame," "The Empty Sack," and his last great novel, "The Dust Flower," are those of his works which have brought him the greatest fame. That the trend of his writing, differing as it does from the usual path of successful fiction, had a remarkable popularity appeal, is demonstrated by the phenomenal success which his stories have received when dramatized for Motion Pictures. His best work has been used for the screen, and his name upon any scenario practically ensures its enthusiastic reception by exhibitors as well as the public. As some one said, "As long as people are as interested in the writers of films as the actors, there is no danger of the Movies becoming undesirable." The showing of Basil King's pictures in Canada, proved that there was no danger of the Movies becoming undesirable. The popularity of "Earthbound" will not soon be forgotten. Basil King himself says, as some one told him when the first undertook writing as a serious thing, that like Jacob, he must serve seven years for his master and seven years for his mistress, and only now is he enjoying the fruits of his labor in the company of his bride-recognition.



BASIL KING.
ne-time home of William Dean Howells, the Dean of American Letters, Cambridge, Massachusetts, the circumstances by which Mr. King became an author, are related by him as follows:
"I am sometimes asked how I broke

Jo-Bel

THE WONDER SALVE
Will Cure Anything Curable (Registered)

Jo-Bel has given a greater percentage of relief to its users than any other remedy on the market. Read this:
"Mr. W. J. Crawford, 404 Union Street, St. John, said: For thirty years I was a constant sufferer from piles, sometimes better, but always bad enough. Over a year ago I was confined to bed for two weeks. I began using Jo-Bel. I used two full boxes and have had perfect relief ever since. There's nothing can compare with it.
Sole druggists, or Jos. A. Murdoch, 137 Orange Street, St. John, N. B. Price 50 cents and \$1.00. Mail orders promptly filled.

EARLE SPICER CONCERT, Centenary Hall

THURSDAY, November 2nd, 8 p. m.

PROGRAMME

(a) Care Selve (Aralia).....	Handel
(b) Droop Not Young Lover.....	Handel
(c) Romance.....	Debussy
(d) Vittoria Mio Core.....	Carissimi
(e) Oriental Romance.....	Rimsky-Korsakoff
(f) The Volga Boat Song.....	Russian Folk Song
(g) My Father Has Some Very Fine Sheep.....	Herbert Hughes
(h) The Gunner.....	Del Riego
(i) Homing.....	E. J. Walt
(j) Lassie O'Mine.....	Herbert Hughes
(k) Kitty My Love Will You Marry Me.....	Herbert Hughes
(l) Deo Goes West.....	Williford Sanderson
(m) Vale (Farewell).....	Kennedy Russell
(n) Because I was shy.....	Old English
(o) Standin' in De Need O'Prayer (Negro).....	David Gulon
(p) De O' Ark's a-Moverin' (Negro).....	David Gulon

SECURE YOUR TICKETS EARLY.
TICKETS ON SALE—Nelson's Book Store, King Street and Gray's Shoe Store, Main Street.

HALLOWE'EN DANCE

G. W. V. Assembly Hall
27 Wellington Row
Tuesday, Oct. 31
Special Music. 8.30 p.m. 1.30 a.m. Refreshments.
LADIES 25c. GENTLEMEN 50c. 2714-11-1

STOCK TAKING SALE

ONE WEEK
ENDING SATURDAY, NOV. 4TH

Take advantage of the real bargains listed below. Save money!

PATENT MEDICINES.	TOILET ARTICLES AND SUNDRIES.	DRUGS.
Chase's Kidney-Liver Pills, 21c.	Pond's Vanishing Cream, 43c.	Tr. Iodine, 1 oz. 14c.
Dodd's Pills, 43c.	Seely's Aftershave, 29c.	Creolin, 2 oz. 8c.
Chase's Nerve Food, 43c.	Italian Balm, 39c.	Boric Acid, 1 oz. 15c.
Zam Buk, 42c.	Mentholatum, Small, 21c.	Boric Acid, 2 oz. 4c.
Aspirin Tablets, 19c.	Mentholatum, Large, 43c.	Cascara Tab. (100) 39c.
Baby's Own Tablets, 21c.	Palmolive Soap, 3 for 25c.	Cascara Tab. (100) 39c.
Horlick's Malted Milk, 43c.	\$1.50 Hot Water Bottles, for 98c.	Peroxide, 4 oz. 19c.
Horlick's Malted Milk, 87c.	\$1.50 Hot Water Bottles, for 98c.	Blaud's Pills, 19c.
Castoria, 32c.	Snap Hand Cleaner, 19c.	Epsom Salts, 4 oz. 4c.
Fruit-a-tives, Small, 19c.	Magic Hand Cleaner, 19c.	Castor Oil, 1 oz. 12c.
Fruit-a-tives, Large, 43c.	Djer Kiss Tale, 25c.	Spirits Nitre, 1 oz. 13c.
White Pine and Tar, 19c.	Toilet Paper, 5 rolls for 25c.	Camphorated Oil, 1 oz. 9c.
Analgesic Balm, 29c.	Sterno Heat, 2 for 25c.	

We will deliver 'phone orders—Call Main 780.
This is only a partial list. Call in and inspect our displays.
R. W. HAWKER, 523 Main St.
20 p.c. Off All French Ivory. Special Prices on Candies.
POSITIVELY NO CHARGE DURING THIS SALE.

Opera House

MAT. 2.15. EVE. 7 and 9.
10c, 15c, 25c. 15c, 25c, 35c.

Change Every MON. and THUR.

Eugene Emmett Jere McAuliffe

and Company

'MacPherson's Picnic'

A Scotch Playlet
With Music, Dances and Pipes.
Hear Buddy Emmett
The Boy Tenor.

NEW BILL THURSDAY.
AMATEUR NIGHT FRIDAY.

HALIFAX LADY TELLS OF HER RELIEF

Is Free of Stomach Trouble, Dizzy Spells and Nervousness Since Taking Drecto.

When well known people make statements and sign them there is no wonder that Drecto is so popular and that so many people are buying this great herbal remedy.

Mrs. Henry Chester, 74 Sackville Street, Halifax, writes:

"Two years ago I underwent a serious operation which kept me in hospital for twenty-six days. Since that time I have suffered from stomach trouble. Things I eat wouldn't agree with me, everything would sour in my stomach. Gas would form causing me much discomfort. My liver was sluggish and I would get dizzy spells. My complexion was sallow. I was weak and run down.

"The results I have obtained from just one bottle of Drecto are wonderful and convinced me that it is the right medicine for me. I am now troubled no more with gas in my stomach. My dizzy spells are gone. My bowels are regular and I eat much better. I gladly recommend Drecto to anyone."

Drecto is being specially introduced in St. John by Ross Drug Co. Go there today and ask for Mr. Ranson, the Drecto expert, and let him explain the merits of this great remedy. There is no charge for the will tell you honestly if he believes Drecto will benefit you.

Drecto is also sold in Moncton by Geo. O. Spencer.

OST HIS HOTEL

Hamilton, Oct. 31.—New York has had many varieties of the rural class as seen from the city. One of the greatest ultra-modern ways of the metropolis, such as those who still try to blow their noses or hold their hands on their watches while gazing up the tall buildings, but Wentworth county says that the rural class is still in evidence, arriving in the 'big town,' entered an "Hotel Entrance," left his trunk, registered, and went to his room. After wandering through the maze of streets he endeavored to find his hotel.

Obliging policemen and alert taxi drivers who have been known to frantically search for the location of "The Hotel" were unable to restore him to his trunks.

citizens, an infringement on their liberties," declared the judge.

JUDGE SCARIFIES "RUM-SNOOPERS"

Detroit, Oct. 31.—Snooping by police around private homes to discover prohibited law violators was vigorously condemned in recorder's court by Judge Thomas M. Cotter.

After discharging three alleged dry law violators, Judge Cotter upbraided Patrolman Monaghan for the manner in which he obtained evidence for a search warrant used when he arrested the defendants.

The patrolman admitted he peered into the windows of the apartments in which the defendants lived, saying he saw them drinking something, he thought was beer, after which he obtained a search warrant. When he searched one apartment, he admitted he found the tenant had been drinking root beer.

"This snooping has got to stop; it is a violation of the rights of decent

"HAD A NARROW ESCAPE"

"I never realized until a few months ago how risky it is to neglect a cold in the chest. I have always had such good health, that a cold either in the head or chest, while unpleasant, never gave me any worry. Outside an occasional cold, I had never known what it was to be laid up even for a day in all my life, until last December. One afternoon I got a chill and no matter how close I got to the stove, I couldn't seem to get warm. This chill was followed by a cold in my chest. As usual I neglected it and it kept getting worse and worse. Finally I had to go to bed and send for the doctor. His examination showed that I had pneumonia and a bad case at that. By careful nursing on the part of my husband, my children and some friends, I managed to pull through, but the doctor told me I had a narrow escape. And here's where my troubles began. While I was now out of danger, I was anything but well. I was still very weak from the effects of the pneumonia. Although I had lots of life and energy before my sickness, I was now worn out and tired all the time. I slept fairly well, more because I was exhausted. But my sleep didn't refresh me because, while I appeared to be asleep, I was conscious most of the time of what went on around me. Although all kinds of tempting dishes were prepared for me, I had no relish for food. This sickness had already undermined my health to such an extent that I was a living skeleton. I was getting discouraged as nothing I took seemed to do me any good. I wonder if Carnol wouldn't build you up, a friend said one day. 'It did me a world of good,' I was completely run down and you can see for yourself how well I look today. Why don't you try it? Thank you to this kind advice I am in perfect health again, as healthy and as full of life and vitality as I have ever been."

and if you can conscientiously say, after you have tried it, that it hasn't done you any good, return the empty bottle to him and he will refund your money. 9-622

For sale by
J. BENSON MAHONEY
A. CHIPMAN SMITH CO.
E. CLINTON BROWN
W. J. McMILLAN
MOORES DRUG STORE
F. W. MUNRO
H. W. NEWELL
C. W. WALKER
ROSS DRUG CO.
GEO. K. BELL
W. R. DUNLOP
West St. John

IMPERIAL

Final Exhibitions Today—2.00, 3.45, 7.00 and 8.45

Great as a Play—Greater as a Picture

HOUSE PETERS

VIRGINIA VALLI, MATT MOORE
and JOSEF SWICKARD

In a great screen version of George Broadhurst's New York production of the sensational stage success by Langdon McCormick.

"The Storm"

Directed by Reginald Barker
who made "The Old Nest"

Tremendous Hit Yesterday

The greatest spectacular melodrama of the year! Don't miss the great Forest Fire—the terrific leap for life—all incidents woven about one of the most appealing love stories ever filmed!

A Blizzard, a Human Conflict, a Forest Fire!

TOMORROW!
Tom Meighan Story
THE "BLUENOSE" RACES

"Silver Wings"

Pronounced the greatest picture since "Over the Hill."

QUEEN SQUARE

3 MORE DAYS
3 SHOWS DAILY
2.30, 7 and 8.45

Don't be disappointed. Come early.

Orchestras as presented at premier showing Lyric Theatre New York.

Director, BAYARD C. CURRIE.

Silver Wings

with MARY CARR

WILLIAM FOX presents

UNIQUE

NOW SHOWING

LOOK! 17 REELS OF JOY

IT'S "Too Much Business"

The funniest comedy of the year.

A story based on the Saturday Evening Post story of Earl Derr Biggers.

You'll Enjoy Every Minute of it.

"Unmasked" "Oh, Brother"
Western Drama. Christie Comedy

VENETIAN GARDENS

Hallowe'en Night

Special Musical Program Arranged by "BLACK-WHITE ORCHESTRA"

Balloons, Confetti, Serpentine, and Rose Novelties will be given away in quantity.

PLEASE NOTE: Those in Costume will be admitted free to the Dance. Floor seats masks are removed.

COME ALONG TONIGHT to the Masquerade Dance. You'll Enjoy it.

5-PRIZES-5

EMPRESS THEATRE, WEST END

"QUEEN OF SHEBA"

The love and romance of the most beautiful woman the world has ever known. A fast moving spectacular drama, colorful with the splendor of the Orient. The second in our series of big productions. Ten reels of the most impressive Drama ever screened.

One Show Only, Commencing at 7.30 p.m. Admission 25c.

Coming Wednesday—TOM MIX in "ROUGH DIAMOND."

Constipation Is Relieved

Prompt—Permanent—Relief

CARTER'S LITTLE LIVER PILLS

rarely fail. Purely vegetable—act surely but gently on the liver.

Relieve after dinner distress—relieve indigestion—improve the complexion—brighten the eyes.

Small Pill—Small Dose—Small Price

ENTRIES CLOSE WEDNESDAY NIGHT

—with—
A. W. Covey

For the big Sporting Meet in the new Arena on Monday evening next.

City Cornet Band and Carleton Cornet Band in attendance.

Winter
MILLINERY
Opening
Wednesday, November 1st, of Imported Models.



Marr Millinery Co. Limited

Ladies' Muskrat Coats
Here is a Coat of Unsurpassed Value
Made from well matched skins, with a three-stripe border and a three-stripe 14-inch cape collar, slash pockets.
This coat can be worn with the belt or without it.
These coats are well modeled and made with a full sweep skirt; fancy linings which will stand the wear.
Price, \$200
Raccoon Coats, \$250, \$285, \$350

F. S. THOMAS
539 to 545 Main Street

Purity Sundaes
Whatever other names distinguish their varieties, they are, nevertheless, Purity Sundaes, soft, rich, as a base, has PURITY HEATHIZED ICE CREAM with its natural fruit flavors, wonderful richness and velvety smoothness and absolute purity. Do you wonder so many folks prefer our Purity Sundaes? Come in and have one at the
GARDEN CAFE, - - Royal Hotel

Have Your Clothes on the Line by Nine
In one magic hour, each Monday, without the sacrifice of health, beauty or happiness, you can, with the aid of the Blue Bird, provide clean clothing and linen for the household for another week. The

Blue Bird
Electric Clothes Washer and Wringer

for a few cents a week for electric current, will take this burden from your shoulders forever, without wear and tear to the clothes, but, instead, lengthening their life from five to ten times, and quickly paying for itself.

Come in and see the Blue Bird.
HOUSEHOLD DEPARTMENT—STREET FLOOR
W. H. THORNE & CO., LTD.
Store Hours—8 to 6. Open Saturday Evenings, Until 10.

Advertising Copy
Advertisers in The Times are requested to note that it is necessary to have change of copy or new copy delivered at the advertising department of The Times before 2.30 p.m. to ensure insertion in the next day's paper.

LOCAL NEWS
MUST GO TO SCHOOL.
A juvenile, arrested for truancy, was handed over to Truant Officer McMan to be taken back to school this morning.

TO BID GOOD BYE.
A farewell will be tendered Rev. J. C. B. Appel and family this evening by the congregation and other friends. Ministers from other churches will be among the speakers.

ENGAGEMENT
Sackville Tribune: C. B. Townshend wishes to announce the engagement of his daughter, Bessie W., to John Dixon, both of Point de Bute. Marriage to take place at an early date.

GOVERNMENT MEETING
A meeting of the provincial government was scheduled to take place in Fredericton tomorrow, has been postponed until some day next week, so Premier Foster announced this morning.

MARRIED IN CALIFORNIA.
Mr. and Mrs. F. E. Leonard, 5 Clarendon street, have announced the marriage of their daughter, Miss Grace Leonard, to Joseph Edmund Kylin at Pasadena, Calif., last night. Mr. and Mrs. Kylin will make a motor trip through California and will spend some time in San Francisco before taking up their residence at 785 Mansfield avenue, Pasadena.

DIED IN ENGLAND.
Mrs. Wm. Priddle of 20 Simonds street has received the sad news of the death of her mother, Mrs. Annie Collins, wife of the late Sidney Collins, which occurred at her home in Ponders End, England, on the 10th inst., after an illness of ten months. She leaves to mourn four sons and eight daughters. Mrs. Collins was at one time a resident of this city, but returned to England sixteen years ago.

GREAT CROWDS
Are attending the auction sale at L. L. Sharpe & Son, jewelers, every afternoon and evening. The balance of this wonderful stock must be sold in order to raise money for creditors. Sales daily at 3 p. m. and 8 p. m. Any article in the store will be offered upon request. Beautiful gifts at your own price.

CHANGE OF BUSINESS.
J. Vernon Keirstead, formerly with the T. H. Estabrooks Co., has purchased the Carlton Cash Grocery, No. 54 King street, West St. John, and intends carrying a full line of choice groceries, fruits, etc., at the lowest cash prices consistent with quality. The store will be known as Keirstead's Cash Grocery.

TWENTY-FIVE YEARS AGO
In events of 25 years ago the Montreal Gazette quotes from its issue of Oct. 30, 1897:
"Fredericton—Hon. H. R. Emmerson is premier of New Brunswick, a reconstruction of the local government having been effected this evening. On account of ill-health Hon. James Mitchell resigned the premiership. Mr. Emmerson was appointed premier. Mr. Emmerson to form an administration. The new ministers are Hon. Messrs. A. S. White, L. J. Tupper, A. T. Dunlop, C. H. Lablanc and L. P. Farris, without portfolio."

OUR ENVOIUS NEIGHBORS.
Halifax Chronicle: Much is being said of the fact that Andrew Bonar Law, the new prime minister of the United Kingdom, was born in Canada, and while we may take laudable pride from that interesting fact, yet we are bound to confess that Mr. Law cannot be called a Canadian in any real sense. Although he was born in New Brunswick, he was taken to the old country at childhood by his parents, he grew up there, was educated there, and had his whole business and political experience over there. He is essentially in manner, thought and viewpoint an old country man.

MARRIED IN BOSTON
At nuptial mass in the Cathedral of the Holy Cross, Boston, on October 28, Rev. Father Dacey united in marriage Mary Virginia Higgins and Frederick Norris McLaugh, both of this city. The bride was becomingly attired in a suit of marten shade broad cloth trimmed with beaver, with hat of silver and lenna. She was attended by her cousin, Miss Mary Townshend, who looked very pretty in a nigger brown suit with hat to match. Donald Townsend supported the bride. The bridegroom wore a suit of marten shade broad cloth trimmed with beaver, with hat of silver and lenna. The bride's gift to the bridegroom was a check for \$100. The bridegroom's gift to the bride was a check for \$100. The ceremony was held at the home of the bride's aunt, Mrs. D. A. McPhee, where a dainty breakfast was served. Among the gifts received by the bride was a check from the firm of F. C. Wesley & Co., with whom she was employed, and a cut glass vase from Wm. Lund and employees. After a short honeymoon, they will return to St. John where they will reside at 18 Camden street.

KILLED IN BOSTON; TO BE BURIED IN ST. JOHN.
Word has been received in the city that Allan Ferguson, son of Mrs. A. Ferguson, 233 Gullford street, West St. John, was killed in Boston on Sunday morning. No particulars of the death are given but as he was employed with the Edison Electric Company, it is thought that he met with an accident at their plant. Mr. Ferguson was formerly of St. John but had been employed with the Edison people for some time, both before and since the war. He served in France with the Massachusetts regiment and with the American Flying Corps as a lieutenant. His brother Samuel was killed with the 20th battalion at the battle of the Somme in 1916. Besides his mother, he leaves his wife, one small daughter, two brothers, Clyde N., of West St. John, and Lorne, of Boston; and two sisters, Mrs. W. B. Nice and Mrs. A. Metwin, of West St. John. The body will be brought here tomorrow on the noon train and the funeral will be held from his mother's home, 238 Gullford street, on Thursday afternoon at 2.30 o'clock.

Who Said H. H. DUNHAM DIES ON WAY TO HIS WORK

The electors are being told that hydro for St. John will mean more taxation, but those who tell them so cannot name a single Ontario municipality where increased taxation has resulted from hydro.

Mr. O. M. Perry, manager of the Windsor Hydro Electric System writes: "The ratepayers of Windsor have not paid one cent towards the support of hydro. The rates have been sufficient to pay all our operating charges, interest and sinking fund and during the years 1915 to 1921 inclusive we have accumulated a surplus reserve of \$259,337.00."

Note that the rates in Windsor are exactly the same as those proposed for St. John. The original rate before the advent of hydro was twelve cents per K. W. H. In spite of rate reductions from year to year starting in 1915 at 4.9c. and reducing to 3.0c. in 1921, Windsor has paid all operating and fixed charges and accumulated a reserve surplus of \$259,337.00—all in seven years.

All this has been accomplished in the face of competition from a privately owned plant. This plant has recently been purchased by the city of Windsor for \$190,000.

Mr. Perry further states: "DURING THIS TIME, IF ALL THE ELECTRICITY SOLD HAD BEEN PAID FOR AT THE RATES IN FORCE PRIOR TO HYDRO, IT WOULD HAVE COST THE PEOPLE OF WINDSOR ONE AND ONE-HALF MILLION DOLLARS MORE THAN THEY ACTUALLY PAID. HYDRO HAS SAVED THEM THIS AMOUNT SINCE 1915."

Who said taxes?

U. S. CITIZEN IS SLAIN IN SYRIA
Near East Worker Killed by Brigands—Was Escorting 1,000 Orphans from Turkey.

New York, Oct. 31.—The murder of James Lester Wright, of Wukens, Wis., a Near East relief worker, by bandits near Aleppo, Syria, was reported today in a cable message to Near East relief headquarters by Stanley Kerr, one of its workers in the Beirut Aleppo district.

The message said Wright was in charge of a group of 1,000 Armenian orphans being taken from Harpoot, Turkey, to Aleppo. The message did not state the exact location of the attack or whether or not the children escaped.

It is thought that Wright was murdered by one of the numerous forces of brigands that prey on travelers over the roads leading into and through Asia Minor. Wright was the first Near East worker to meet a violent death during the seven years of the organization's service.

BUILDING WORK IN THE CITY
This Month's Permits Totalled \$85,000—This Year Ahead of Last.

Building permits, covering construction estimated at \$85,000, were issued by James Capleton, building inspector, during October, as compared with \$184,000 for the same month last year. The total to date for 1922 is \$850,000, which is an increase of \$110,000 for the total up to October 31, 1922. Twenty-nine repair permits were issued this month.

The following is the detail of building permits:—

- Mr. Storey, remodel brick dwelling and store, Union street, \$5,000.
- John Flood & Sons, brick boiler house, Leinster street, \$1,500.
- H. O. Miller, wood dwelling, 323 Douglas avenue, \$6,500.
- F. Radcliff, wood dwelling, Lancaster street, West, \$2,000.
- W. E. A. Lawton, wood alterations, corner Union and Dorchester streets, \$2,000.
- B. H. Riley, wood dwelling, 273 Duke street, West, \$2,000.
- Baptist church, Charlotte street, West, wood school, \$2,000.
- Robert Henderson, wood tenement, 26 Clarence street, \$3,000.
- W. I. Fenton, wood dwelling, 118 Wentworth street, \$6,000.

VERY SUCCESSFUL
Many from City Attended Tea and Sale in Hampton Last Evening.

More than 500 people, many of them from the city, attended a high tea and sale held last evening in the rectory of St. Alphonsus' church, Hampton. The proceeds, which will go to the church fund, were particularly satisfactory. The house was attractively decorated with Hallmark ornaments and collectibles. Practically the whole of the lower floor was given over to the serving of supper and the committee were kept busy from five o'clock until nearly ten. Rev. Raymond McCarthy, of St. John, who is in charge of the church, expressed himself as being well pleased with the success of the event. Mrs. Thomas Conway was general convener, Mrs. Mrs. Frank McPherson and Mrs. Frank McPherson had charge of the fancy work, and Mrs. Charles Forestell, of the candy table.

A LITTLE MORE NEEDED.
An effort has been made during the last week to raise enough money to send Chinese delegates from local Sunday schools to the Canadian Chinese Christian Convention at Ottawa next week but the little fund still lacks about \$20 of the required \$100.

It would appear that most sources from which such money would be forthcoming have already contributed, and the extra amount may have to be donated by well-wishers of the general public. A phone message to M. 1473-11, will tell the story, and from one who is making it a life work.

It is the first time the people of St. John, aside from all denominations have had the privilege of sending an Oriental citizen of this country to a Christian convention of his own fellow countrymen for the betterment of Canada.

A CASE OVER INSURANCE ON LUMBER
In the circuit court this morning before Chief Justice McKeown hearing the case of W. Malcolm Mackay Co., Ltd., vs. the Royal Exchange Insurance Co., an action for the recovery of \$3,500 on a policy of fire insurance. The fire occurred in June, 1921, at Burton, Sunbury county, destroying lumber which was the subject of the policy. The plaintiffs contend that the cutting of the lumber by Atkinson & Co. of Fredericton, N. B. in all there was \$35,000 insurance on the lumber, and after the loss occurred settlement was made by almost all the others.

A clause in the Royal Exchange policy called for a certain distance to be between standing brush and the piled lumber, and the plaintiffs contend that this clause was adhered to. An inspection of the lumber was made by Mr. Heine, insurance agent. One company which had been insured for \$3,500 dropped out and the Royal Exchange took the line. It is the contention of the defence now that this meant a new contract and that the company was not bound by a previous inspection.

Evidence was given this morning by Hugh Mackay and by Mr. Atkinson of Fredericton, and adjournment was made to this afternoon. Dr. P. R. Taylor, K. C., and Dr. J. B. M. Baxter, K. C., appear for the plaintiff, and Messrs. Teed & Teed for the defence.

INCREASE IN SHIPMENTS TO UNITED STATES
The following is a statement of lumber and lumber products exported to the United States from St. John, consolidated for the quarter ended September 30, 1922:—

Laths	223,796.93
Lumber	576,930.11
Pine Lumber	23,942.93
Pulp Wood	49,831.93
Shingles	7,223.35
Spruce Piling	3,998.55
Elm Staves	863.28
Wood Pulp	277,811.89
	\$964,807.63
Hemlock	5,740.91
	\$970,248.54
Exports for corresponding Quarter in year 1921:—	\$768,492.16

We Wish to Remind You That Our Opportunity Sale Will Continue All Week and Will Close on Saturday, Nov. 4th

If you have not as yet made a visit to this sale we advise you to do so without further delay. Here you will find only the highest class merchandise MARKED AT REAL SALE PRICES.

NO EXCHANGES. NO APPROVALS.

TAKE ELEVATOR TO THIRD FLOOR

We are now the St. John distributors of the **STANDARD-DESIGNER PATTERNS.**

Mrs. Ayer, their representative, is now with us. Call and interview her at your pleasure. She will explain the wonderful magazine subscription offer. Also the advantages the Standard-Designer Patterns offer over all their competitors.

Do Not Miss This Opportunity of Saving Money.

Mauley Bros. Co. LIMITED

Opportunity Sale Oct. 28th to Nov. 4th.

An Unusual Sale of Blouses
At Three Irresistible Prices
\$3.65, \$4.95, \$6.95

Fur-Trimmed Suits
GREATLY UNDERPRICED
\$39.50 Formerly \$50 to \$65
\$55.00 Formerly \$65 to \$75

The selling of these beautiful Blouses started this morning and shoppers have been so enthusiastic about them that undoubtedly you had better come early Wednesday Morning to be assured of your share in this bargain.

There's a wide range of designs to choose from.

Browns	Navy's	Paisley's
Whites	Sands	Flesh
Tailored	Jap Silks	
Peter Pans	Crepe de Chenes	
Tuck-ins	Georgettes	
Overblouses	Pussy-Willow	Satins

Blouses for every occasion at big savings. Come early.
Women's Shop, 3rd floor.

When you see richness of these suits and realize the lowness of the price, you'll want one.

WOMEN'S SHOP
3RD FLOOR
OAK HALL - SCOVIL BROS., LTD.
Germain St.—King St.

9-Piece Dining Room Suites
\$195.00

Not for many years have nine-piece dining-room suites been offered at prices anywhere near so low as those which are causing gasps of surprise on the part of nearly everyone who visits the new display room we have fitted for dining room furniture.

The suite quoted above is really finer than shown in illustration, with its massive 60 inch buffet, large china cabinet, generous-sized extension table and six chairs which have been very much improved since illustration was made. Naturally, we have many lower-priced suites and also higher-priced, but our very comprehensive showing will disclose something to suit every taste and every purse.

Electric Vacuum Cleaners to hire by the day.

A. Ernest Everett
THE HOUSE FURNISHER
91 CHARLOTTE STREET.

You May Pay So Little

for clothes that they're really expensive and, of course, you can pay so much they're expensive.

There's a middle ground, and we've found it.

You can't get anything less than fine quality and good value for your money here—not even if you try, which you probably won't.

Attire is sold here for good looks, comfort and long wear.

SUNSET FROCKS
that are really and truly essential to the "perfect evening."
Frocks of the brightest hues and so delicately made. They're new and charming.

PRICES—\$26.00 to \$38.75
MATERIALS—Taffeta, Georgette

SILK MUFFLERS
For Colder Weather \$3.50 and more.

There are the smartest little Scarves here of perfect Hudson Seal for \$25.00.

Master Furriers Since 1859 **D. MAGEE'S SONS LTD.** St. John, N. B.