

## Technical and Bibliographic Notes / Notes techniques et bibliographiques

The Institute has attempted to obtain the best original copy available for scanning. Features of this copy which may be bibliographically unique, which may alter any of the images in the reproduction, or which may significantly change the usual method of scanning are checked below.

L'Institut a numérisé le meilleur exemplaire qu'il lui a été possible de se procurer. Les détails de cet exemplaire qui sont peut-être uniques du point de vue bibliographique, qui peuvent modifier une image reproduite, ou qui peuvent exiger une modification dans la méthode normale de numérisation sont indiqués ci-dessous.

- |                                     |   |                                     |   |
|-------------------------------------|---|-------------------------------------|---|
| <input type="checkbox"/>            | Coloured covers /<br>Couverture de couleur  | <input type="checkbox"/>            | Coloured pages / Pages de couleur   |
| <input type="checkbox"/>            | Covers damaged /<br>Couverture endommagée   | <input type="checkbox"/>            | Pages damaged / Pages endommagées   |
| <input type="checkbox"/>            | Covers restored and/or laminated /<br>Couverture restaurée et/ou pelliculée   | <input type="checkbox"/>            | Pages restored and/or laminated /<br>Pages restaurées et/ou pelliculées   |
| <input type="checkbox"/>            | Cover title missing /<br>Le titre de couverture manque  | <input checked="" type="checkbox"/> | Pages discoloured, stained or foxed/<br>Pages décolorées, tachetées ou piquées  |
| <input type="checkbox"/>            | Coloured maps /<br>Cartes géographiques en couleur  | <input checked="" type="checkbox"/> | Pages detached / Pages détachées  |
| <input type="checkbox"/>            | Coloured ink (i.e. other than blue or black) /<br>Encre de couleur (i.e. autre que bleue ou noire)  | <input checked="" type="checkbox"/> | Showthrough / Transparence  |
| <input type="checkbox"/>            | Coloured plates and/or illustrations /<br>Planches et/ou illustrations en couleur   | <input checked="" type="checkbox"/> | Quality of print varies /<br>Qualité inégale de l'impression  |
| <input type="checkbox"/>            | Bound with other material /<br>Relié avec d'autres documents  | <input type="checkbox"/>            | Includes supplementary materials /<br>Comprend du matériel supplémentaire   |
| <input type="checkbox"/>            | Only edition available /<br>Seule édition disponible  | <input type="checkbox"/>            | Blank leaves added during restorations may<br>appear within the text. Whenever possible, these<br>have been omitted from scanning / Il se peut que<br>certaines pages blanches ajoutées lors d'une<br>restauration apparaissent dans le texte, mais,<br>lorsque cela était possible, ces pages n'ont pas<br>été numérisées. |
| <input checked="" type="checkbox"/> | Tight binding may cause shadows or distortion<br>along interior margin / La reliure serrée peut<br>causer de l'ombre ou de la distorsion le long de la<br>marge intérieure. |                                     |   |

Additional comments /  
Commentaires supplémentaires:

In Sessional paper No. 6, Financial returns, 1877-78, page 11 is  
incorrectly numbered page 1.

In Sessional paper No. 6, Fifth report on weights and measures ... 1878,  
page vi is incorrectly numbered page v.

In Sessional paper No. 6, Fifth report on weights and measures ... 1878,  
pages 13 & 16 are incorrectly numbered pages 31 & 1.

# SESSIONAL PAPERS.

6 - 7

VOLUME 6.

FIRST SESSION OF THE FOURTH PARLIAMENT

OF THE

DOMINION OF CANADA

---

SESSION 1879.

---



---

VOLUME XII.

---

MacLean, Roger & Co., Parliamentary and Departmental Printers, Ottawa, Ont.

---

890799

## LIST OF SESSIONAL PAPERS.

VOLUME XII.—SESSION 1879.

ARRANGED ALPHABETICALLY.

	No		No.
Accounts, Public.....	1	Esquimalt Graving Dock .....	46
Active Militia .....	68	Estimates, Public Service .....	1
Agricultural Report.....	9	Fees paid Counsel. ....	176
Alaska Boundary .....	131	Fishery Award .....	73
Amet Island Breakwater.....	132	Forsyth, W. F. ....	180
Banks .....	12	Fort Frances Lock .....	194
Baptisms, Marriages, &c .....	13	Fraser River Salmon Hatchery, B.C.....	41
Bar Iron, N.S. and N.B .....	48	General Election, Votes polled.....	88
Beauharnois Canal .....	60	Glendon, Steamer.....	191
Bernatchez, Nazaire .....	31	Governor General's Commission.....	14
Berthier Wharf .....	154	Grants of Land .....	184
Bonded Warehouses .....	75	Green or Adam's Island .....	128
Bonds and Securities.....	34	Grosse Isle, Public Works.....	112
British Columbia, Graving Dock.....	143	Hamilton, City of, Appointments.....	117
do Imports.....	109	Hillsburg Post Office .....	38
do Indian Reserve.....	190	House of Commons, Appointments in .....	17
do Penitentiary.....	57	Imports and Exports.....	23
Campbell, W. D.....	63	do by Provinces.....	77
Canada Central Railway Extension .....	72	Indian Agents, Manitoba .....	148
Canada Gazette.....	161	Indians Enfranchised .....	130
Canada Pacific Railway .....	43	Indian Land Claims .....	127
Canadian Vessels, Lake Michigan.....	89	Indians, Vaccination of.....	114
Canals, U. S., free navigation.....	64	Inland Revenue Report.....	6
do and Pacific Railway Expenditure.....	30	do and Customs, Toronto.....	150
do Welland & St. Lawrence, oak supply.....	173	Insurance Statements .....	11
Capes, Tormentine and Traverse.....	144	Intercolonial Railway .....	42
Cardinal, Regis .....	82	do Freight Rates .....	113
Caron, Clovis, Fishery Overseer .....	102	Interior Report .....	7
Carillon, Dam and Locks.....	175	Iron Rails .....	169
Cascumpec Harbor.....	58	Joint Stock Companies (Roads) .....	26
Cattle Trade .....	53	Jordan Bay Breakwater .....	56
Centennial Exhibition, Philadelphia.....	152	Kaministiquia River, Dredging of .....	186
Chenal, DuMoine, Piers.....	121	do Prince Arthur's Landing.....	122
Clark, W. R., Esq .....	62	Ketchum, Mr., Correspondence .....	96
Collingwood Harbor.....	76	do Inspector's Report .....	97
Columbia, Fisheries .....	110	Kincardine Harbor Works.....	196
Common Pleas, Court of, Ont.....	51	Lachine Canal Employés .....	55
Corwall Canal, Hydraulic Leases.....	61	Lady Head, Steamer .....	123
Cox, Mr.....	141	L'Assomption River Deepening .....	106
Cow Bay Breakwater .....	21	do Bridge .....	126
Customs and Excise Duties .....	78	Langelier, Chas.....	107
Custom Duties on Salt, &c.....	157	Layton, Richard .....	87
Custom House, Montreal .....	28	Lesueur, Mr.....	179
Deschamps, Antoine.....	135	Letter, Private, Post Office Department .....	92
Dominion Railway Employés.....	195	Letellier, The Hon. Luc .....	19
Drawback, Canadian Goods .....	200	Levesque, S.....	183
Drummondville, Wendover & Simpson, Mails.....	93	Library of Parliament.....	10
Dusseauit, J. B.....	168		
Ella G. McLean, Schooner.....	134		
Engineers Licensed, Canada.....	158		

	No.		No.
Lighthouses, River St. Lawrence, Oils.....	163	Rideau Canal, Damages.....	167
Loan, Recent, London.....	29	Rimouski, Harbor of Refuge.....	99
Loughhead, Samuel.....	149	Rimouski Wharf.....	45
Mackerel Seining.....	49	Rivière du Loup Pier.....	91
Manitoba.....	44	do Freight.....	125
Marine and Fisheries Report.....	3	Rivière du Loup Branch, Grand Trunk Rail- way.....	192
Maritime Court, Ontario.....	172	River St. Lawrence Harbors.....	142
Mason, William.....	145	River Trent.....	35
Matane and River Blanche.....	198	River St. John, N.B., Bridges.....	133
McClary, Peter.....	70	Robertson, William.....	74
Mercantile Marine, Canada.....	100	Rondeau Harbor.....	171
Mercier, P. A., & E. H.....	47	Ross <i>et al</i> , Quebec.....	40
Militia Report.....	5	Royal Instructions.....	181
do Active.....	68 & 90	Ryland, Mr.....	165
Miramichi, Marine Hospital.....	146	Salmon Hatchery, B.C.....	41
Mitchell & Co., Supplies.....	156	Sarah E. Bryant, Steam Tug.....	124
Montmagny Basin.....	36	Saugeen River Lighthouse.....	138
Morpeth Harbor.....	83	Sault St. Marie Railway.....	163
Mounted Police, North-West.....	188	Secretary of State, Report.....	52
National Investment Co.....	67	Selkirk, Electoral District of.....	185
Navigation School, Quebec.....	69	Simpson, George B., and Sherwood, W. H.....	136
New Brunswick Claims.....	98	Special Warrants.....	16
Northern Light, Steamboat.....	160	Spirits and Tobacco.....	120
North River and St. Andrews.....	111	Souris, Wharf at.....	33
North-West Mounted Police.....	188	Statutes of Canada.....	20
do Territories, Ordinances.....	86	Statute Labor.....	65
Office, Dismissals from.....	71	Steam Navigation Company, P. E. I.....	94
Official Assignees, Quebec.....	115	St. Fabien Post Office, Change in.....	178
Official Debates.....	18	do do Contract, Mails.....	182
Old Bic Harbor.....	105	St. John and St. Francis Rivers, Bridging..	66
Pacific Railway.....	43	St. Vincent de Paul Penitentiary.....	103
Patteson, Mr.....	37	Superannuation, Civil Service.....	22
Peck, Thomas.....	199	Supreme Court and Court of Exchequer.....	81
Penitentiaries Report.....	27	Talbot, Achille.....	150
Penitentiary, St. John.....	79	Tariff Despatch.....	155
Pictou and Truro Railway.....	174	Taschereau, Thos.....	80
Pilots' Fund.....	137	Tea, Sugar, &c.....	54
Postmaster-General's Report.....	4	Tenders, Public Works.....	164
Postmaster, Toronto.....	177	Tidal Harbor, Quebec.....	101
Presqu' Isle Bay Lighthouse.....	140	Tins, Duty on.....	84
do Peninsula Free Grant.....	147	Tobacco, Canadian.....	39
Prince Arthur's Landing and Kaminstiquia.	122	Trade and Navigation Returns.....	2
do do Harbor.....	197	Unforeseen Expenses.....	15
Prince Edward Island, Civil Service.....	108	Vaccination, Indians.....	129
Prittie, R. W.....	95	Veterans, 1812-15.....	116
Public Accounts.....	1	Votes Polled, General Elections.....	88
Public Service of Canada.....	189	Weights and Measures.....	24
Public Works, Report.....	8	Welland Canal.....	32
do Tenders.....	164	Western Departmental Building.....	166
Public Property, Transfer of.....	119	Wilkins, Judge.....	151
Purdy, Capt.....	50	Windsor and Annapolis Railway.....	193
Quartz Mining Machinery, B.C.....	85	Wood, Hon. Chief Justice.....	118
Quebec, Repairing Wall.....	170	Wrecking and Coasting.....	153
Railway Statistics of Canada.....	187	Yamaska River.....	59
Receipts and Expenditure.....	25	Yarwood, C. St. George.....	104
Richard, Mr.....	139		

## LIST OF SESSIONAL PAPERS.

ARRANGED NUMERICALLY AND IN VOLUMES.

## CONTENTS OF VOLUME No. 1.

No. 1 ... PUBLIC ACCOUNTS OF THE DOMINION OF CANADA :—For the fiscal year ended 30th June, 1878.  
ESTIMATES :—Of sums required for the service of the Dominion, for the year ending 30th June, 1880.

SUPPLEMENTARY ESTIMATES of sums required for the service of the Dominion for the year ending 30th June, 1879.

SUPPLEMENTARY ESTIMATES of sums required for the service of the Dominion for the year ending 30th June, 1880.

ADDITIONAL SUPPLEMENTARY ESTIMATES of the amounts required for the service of Canada for the year ending 30th June, 1880.

## CONTENTS OF VOLUME No. 2.

No. 2... TRADE AND NAVIGATION :—Tables of the Trade and Navigation of the Dominion of Canada, for the fiscal year ending 30th June, 1878.

## CONTENTS OF VOLUME No. 3.

No. 3... MARINE AND FISHERIES :—Eleventh Annual Report of Department of, for the fiscal year ended 30th June, 1878.

SUPPLEMENT No. 1 :—List of Lights on the Coasts, Rivers and Lakes, of the Dominion of Canada, on the 31st December, 1878.

## CONTENTS OF VOLUME No. 4.

MARINE AND FISHERIES—SUPPLEMENT No. 2 :—Report of the Chairman of the Boards of Steam-boat Inspection, Examination of Masters and Mates, &c., for the calendar year ended 31st December, 1878.

SUPPLEMENT No. 3 :—Meteorological Report. Order for printing cancelled by the Department. (*Not printed.*)

SUPPLEMENT No. 4 :—Report of the Commissioner of Fisheries, for the year ending 31st December, 1878.

## CONTENTS OF VOLUME No. 5.

No. 4... POSTMASTER GENERAL :—Report of, for the year ended 30th June, 1878.

No. 5... MILITIA :—Report on the State of the Militia of the Dominion of Canada, for the year 1878.

## CONTENTS OF VOLUME No. 6.

- No. 6.... INLAND REVENUE:—Report, Returns and Statistics of the Inland Revenues of the Dominion of Canada, for the fiscal year ended 30th June, 1878.
- SUPPLEMENT No. 1:—Canal Statistics, for the lease of navigation of 1878-  
SUPPLEMENT No. 2:—Weights and Measures, 1878.  
SUPPLEMENT No. 3:—Report on Adulteration of Food for 1878.
- No. 7.... INTERIOR:—Report of the Department of the Interior, for the year ended 30th June, 1878.

## CONTENTS OF VOLUME No. 7.

- No. 8.... PUBLIC WORKS:—General Report of the Minister of, for the fiscal year ended 30th June, 1878-  
No. 9.... AGRICULTURE:—Report of the Minister of Agriculture for the Dominion of Canada, for the calendar year, 1878.  
No. 10.. LIBRARY OF PARLIAMENT:—Report of the Librarian on the state of.  
No. 11. INSURANCE:—Statements of Fire and Marine Insurance Companies in Canada, for the year 1878.

## CONTENTS OF VOLUME No. 8.

- No. 12.. BANKS:—List of Shareholders of the several Banks of the Dominion of Canada. (*Not printed.*)  
No. 13.. BAPTISMS, MARRIAGES AND BURIALS:—General Statement of, for certain Districts in the Province of Quebec, for the year 1878. (*Not printed.*)  
No. 14.. GOVERNOR GENERAL'S COMMISSION:—Letters-Patent constituting the Office of Governor General of the Dominion of Canada, and of the Royal Instructions accompanying the same.  
No. 15.. UNFORESEEN EXPENSES:—Statement of payments made and charged to Unforeseen Expenses, under the authority of Order in Council, from the 1st July, 1878, to date, in accordance with the Act 41 Vic., Cap. 4, Schedule B.  
No. 16. SPECIAL WARRANTS:—Statement of Special Warrants signed by the Governor General, together with the expenditure incurred thereon, during that part of the fiscal year ending 13th February, instant, as required by the Act 41 Vic., Cap. 7, Section 32, Sub-section 4.  
No. 17.. HOUSE OF COMMONS, APPOINTMENTS IN:—Return to Order; Correspondence between the Clerk and the late Speaker of this House, respecting appointments to vacancies in the Service of the House of Commons, since last Session of Parliament.  
No. 18.. OFFICIAL DEBATES:—Return to Order; Notices asking for tenders for reporting and publishing the Official Debates of this House, together with copies of all tenders received, &c. (*Not printed.*)  
No. 19.. LETELLIER, THE HONORABLE LUC:—Return to Address; Pétition addressed to the Governor in Council, by the Hon. Messrs. Chapleau, Church and Angers, praying for the dismissal of His Honor Luc Letellier, Lieutenant-Governor of the Province of Quebec.  
No. 20. STATUTES:—Statutory Return, in accordance with the Act 31 Vic., Cap. 1, Section 14, of the distribution of the Statutes from the 1st February, 1878, to the 1st February, 1879. (*Not printed.*)  
No. 21.. COW BAY BREAKWATER:—Return to Order; Expenditure in detail, of money expended on the Breakwater at Cow Bay, for the year 1877. (*Not printed.*)

- No. 22. SUPERANNUATION :—Statement of allowances and gratuities under the Act 33 Vict., Cap. 4.
- No. 23. IMPORTS AND EXPORTS :—Return to Order; For the Imports into, and Exports from the Dominion of Canada during the six months ending the 1st day of January, 1879.
- No. 24. WEIGHTS AND MEASURES, STANDARD :—Return to Order; Shewing the total cost of the Standard Weights and Measures, purchased for the purposes of the "Act relating to Weights and Measures," &c.
- No. 24a.. Return to Address; All Orders in Council made under and by virtue of the Act 36 Vict., Cap. 47 (respecting Weights and Measures), and the Act amending the same, between the 1st July, 1873, and the 27th February, 1879, and all correspondence, &c. (*Not printed.*)
- No. 24b.. Return to Order; Correspondence in connection with the suspending of J. J. Spettique, Inspector of Weights and Measures, for the City of London, and the East Riding, Middlesex. (*Not printed.*)
- No. 24c.. Return to Order; Correspondence which has passed between the Inspector of Weights and Measures for the United Counties of Drummond and Arthabaska and the Government. (*Not printed.*)
- No. 25. RECEIPTS AND EXPENDITURE :—Return to Order; Detailed statement of Receipts and Expenditure during the seven months ending on the 1st February, 1879.
- No. 25a.. Return to Order; Shewing the receipts generally during the twenty days from the 1st to the 20th day of February of the present year.
- No. 26. JOINT STOCK COMPANIES, &c. :—Correspondence between the Lieutenant-Governor of Quebec and the Secretary of State, in 1877, in relation to a Bill intituled: "An Act to provide for the formation of Joint Stock Companies for the maintenance of roads and the destruction of weeds." (*Not printed.*)
- No. 27. PENITENTIARIES :—Report of the Minister of Justice on, for the year ended, 30th June, 1878.
- No. 28. CUSTOM HOUSE, MONTREAL :—Return to Order; Statement giving a complete list of all the permanent, supernumerary and temporary employés appointed to the Custom House of Montreal since the 1st July, 1877. (*Not printed.*)
- No. 29. LOAN :—Return to Order; Prospectus of the loan recently effected in London; and the amount of the commission paid thereon, and to whom paid, &c.
- No. 30. CANALS AND PACIFIC RAILWAY, AMOUNTS EXPENDED ON :—Return to Order; Shewing total amount expended up to the 1st day of January, 1879, on the enlargement of the Welland Canal; on the Lachine Canal; on the Pacific Railway and the Survey thereof; on the Section of the Pacific Railway extending from Thunder Bay to Selkirk; and also a Statement of the sums further required from the 1st January, 1879, to complete the said works.
- No. 31. BERNATCHEZ, NAZAIRE :—Return to Order; Contract made between the late Government and Nazaire Bernatchez, Esq., of the Village of Montmagny, in the matter of the transport from Quebec to Grosse Isle, and from Grosse Isle to Quebec, of emigrants, mails, provisions, &c. (*Not printed.*)
- No. 32. WELLAND CANAL :—Return to Order; Shewing number of days during which one James A. McMahon, a clerk in the Paymaster's Office of the Welland Canal, was absent from duty during the years 1877 and 1878, and the number of days for which he received pay from the Department of Public Works, &c. (*Not printed.*)
- No. 32a.. Return to Order; Correspondence in connection with the dismissal of John B. Smith from the office of Deputy Superintendent of the southern section of the Welland Canal, and report of the Superintendent. (*Not printed.*)
- No. 32b.. Return to Order; Statement of damage caused by the break on the lower level of the Welland Canal in September, 1878; the amount required to make good the damage, &c. (*Not printed.*)
- No. 32c.. Return to Order; Shewing the names of all persons from whom supplies for the old Welland Canal have been purchased, from the 4th of November, 1873, to the 10th of January, 1879. (*Not printed.*)



- No. 32d. **WELLAND CANAL**:—Return to Order; Giving the names of all the permanent employes engaged in the working and Management of the old Welland Canal, and their salaries and allowances.
- No. 32e. Return to Order; Instructions furnished land valutors before entering on their duties in valuing land damages in the Counties of Haldimand and Monck, on the upper level of the Welland Canal; also, all Reports made by said valutors to the Government. (*Not printed.*)
- No. 32f. Return to Order; Reports by the Superintendent, Welland Canal, as to the damages to Lock No. 21 on the Welland Canal, in the year 1874, by the schooner "Louise."
- No. 32g. Return to Address; Correspondence between the Government and the County Council, of the County of Welland, about the claims of the Government against the said County for marsh lands. (*Not printed.*)
- No. 33. **SOURIS, WHARF AT**:—Return to Order; Copies of all tenders received for the construction of the railway extension and wharf at Souris. (*Not printed.*)
- No. 33a. Return to Order; Copies of all Tenders received in connection with the construction of the Breakwater at Souris, P. E. Island. (*Not printed.*)
- No. 34. **BONDS AND SECURITIES**:—Statement of all Bonds and Securities registered in the Department of the Secretary of State. (*Not printed.*)
- No. 35. **RIVER TRENT, &C.**:—Return to Address; Orders in Council relating to the transfer by the Dominion to the Ontario Government of the River Trent and Newcastle District and Navigation and Canal Works.
- No. 35a. Memorandum from the Hon. Hector L. Langevin, Minister of Public Works, dated Ottawa, 4th February, 1870, submitting that the dams, slides, booms, &c., which had been constructed on a proposed line of navigation following the River Trent, &c., had become the property of the Dominion of Canada by the "British North America Act, 1867."
- No. 36. **MONTMAGNY BASIN**:—Return to Order; Number of engineers and employes engaged in making, in August and September last, an exploration and survey of the Basin of Montmagny, &c., and the River St. Lawrence, with a view of deepening the same. (*Not printed.*)
- No. 37. **PATTESON, MR., POSTMASTER, TORONTO**:—Return to Address; Order in Council, under and by which the late Postmaster of the City of Toronto was superannuated; and also, all correspondence respecting the appointment of Mr. Patteson to the said office.
- No. 38. **HILLSBURG POST OFFICE**:—Return to Order; Correspondence in possession of the Government, in relation to the Hillsburg Post Office. (*Not printed.*)
- No. 39. **CANADIAN TOBACCO**:—Return to Order; Statement shewing the Revenue collected on the sale of Canadian Tobacco, and the cost of collecting the duty thereon, from 1873 to the 1st January, 1879.
- No. 39a. Return to Order; Statement shewing the quantity of Canadian tobacco seized by the officers of the Inland Revenue Department, Montreal, during the years 1874, 1875, 1876, 1877 and 1878. (*Not printed.*)
- No. 40. **ROSS et al QUEBEC**:—Return to Address; Petition of Messrs. Ross and others, of Quebec and Lewis, proprietors and builders of ships and steamboats, in relation to the registration in Canada of American vessels.
- No. 41. **FRAZER RIVER SALMON HATCHERY, B.C.**:—Return to Order; Correspondence since May, 1877, relative to establishing a Salmon Hatchery on Frazer River, British Columbia. (*Not printed.*)
- No. 42. **INTERCOLONIAL RAILWAY**:—Return to Order; For a Statement of moneys due by certain persons, residents of the County of Rimouski, since 1st August, 1878, for the carriage, during the last General Elections, on the Intercolonial Railway, of supporters and agents of the candidate in favor of the Administration of the day.
- No. 42a. Return to Order; Shewing the monthly receipts from that portion of the Intercolonial Railway between River du Loup and Halifax, for the two years ending December 31st, 1878, with Statement of the actual working expenses. (*Not printed.*)

- No. 42b. INTERCOLONIAL RAILWAY:—Return to Order; Papers in connection with the purchase of Deal ends and other refuse lumber in the County of Northumberland, N.B., from 1st January, 1873, to 1st of January, 1879, for the use of the Intercolonial Railway. (*Not printed.*)
- No. 42c. Return to Order; Statement shewing the names of the parties who tendered for the last contract for Sleepers on the Intercolonial Railway. (*Not printed.*)
- No. 42d. Return to Address; Correspondence in reference to the sale of certain buildings and outbuildings on the bank of the Metapedia River, on the Intercolonial Railway Line. (*Not printed.*)
- No. 42e. Return to Order; Statement shewing the names and number of persons who tendered, in the County of Rimouski, for the furnishing of 1,000 cords and over of wood for the Intercolonial Railway, during the last General Elections. (*Not printed.*)
- No. 42f. Return to Order; Statement shewing the number of men employed on the Intercolonial Railway in the County of Rimouski, on the 1st August last and from the 1st August last to the 25th September. (*Not printed.*)
- No. 42g. Return to Order; Correspondence in respect to the dismissal or resignation of Mr. E. U. Stark, Station Agent, Springhill. (*Not printed.*)
- No. 42h. Return to Order; Statement of all persons employed on the Intercolonial Railway, on 13th December, 1878. (*Not printed.*)
- No. 42i. Return to Address; Papers relating to the disputed claims of Messrs. Murray & Co., Contractors on the Intercolonial Railway.
- No. 42j. Return to Order; Return in detail of the fund known as the Intercolonial Railway Employees Insurance Fund. (*Not printed.*)
- No. 42k. Return to Order; Statement of damages to cattle and goods on the Intercolonial Railway paid during 1878. (*Not printed.*)
- No. 42l. Return to Order; Correspondence with Henry Clarke, of Truro, in reference to claim for property destroyed by officers, Intercolonial Railway. (*Not printed.*)
- No. 42m. Return to Order; Complaints against L. O. Bouchard, Station Master at St. Simon Station, Intercolonial Railway. (*Not printed.*)
- No. 43. CANADIAN PACIFIC RAILWAY:—Articles of Agreement between Heney, Charlebois and Flood, and Her Majesty Queen Victoria, to do the excavation, etc., of Georgian Bay Branch of the Canadian Pacific Railway, from Station O, South River, to French River, 50 miles (37th Contract). (*Not printed.*)
- No. 43a. Articles of Agreement between Kavanagh, Murphy and Upper, and Her Majesty Queen Victoria, to do the excavation, etc., of part of Pembina Branch, between St. Boniface and Emerson, Canadian Pacific Railway (33rd Contract). (*Not printed.*)
- No. 43b. Agreement by Joseph Whitehead (13th September, 1878), to make embankments on Sifton, Ward & Co's. Contract (No. 14), Canadian Pacific Railway, at a less cost to Government than per Contract of Sifton, Ward & Co., No 4572, accepted by the Minister of Public Works, 8th October, 1878; and further Agreement by Joseph Whitehead. (*Not printed.*)
- No. 43c. Articles of Agreement between Gouin, Murphy and Upper, and Her Majesty Queen Victoria, to build a ten-stall Engine-house on the Station ground at Selkirk, Manitoba, on the Pembina Branch of the Canadian Pacific Railway (40th Contract). (*Not printed.*)
- No. 43d. Agreement (3rd August, 1878), respecting running powers over the Pembina Branch of the Canadian Pacific Railway, with George Stephen (No 5698.) (*Not printed.*)
- No. 43e. Return to Order; Letters of instructions for the removal of Steel Rails from Nanaimo and Esquimalt to Frazer River, B.C., and the cost. (*Not printed.*)

- No. 43f. CANADA PACIFIC RAILWAY:—Return to Order: Reports of Engineers and others made since the 1st of October last, respecting the route or construction of any part of the Pacific Railway, and the removal of rails from Vancouver Island to Yale.
- No. 43g.. Return to Order; Reports of Engineers and others, respecting the line of the Canadian Pacific Railway from Esquimalt to Nanaimo, which was made in 1875. (*Not printed.*)
- No. 43h.. Articles of Agreement between Frazer, Manning & Co., and Her Majesty Queen Victoria, to do the excavation, etc., from Eagle River to Keewatin, 67 miles, on the line of the Canadian Pacific Railway (B).
- Articles of Agreement between Thomas Marks, John Ginty, P. Purcell and H. Ryan, and Her Majesty Queen Victoria, to do the excavation, etc., from English River to Eagle River, 118 miles, on the line of the Canadian Pacific Railway (A).
- Schedules of Tenders for contracts, Canadian Pacific Railway, viz.:—Schedule A, from English River to Eagle River, 118 miles; Schedule B, from Eagle River to Keewatin, 67 miles, and Schedule C, from English River to Keewatin, 185 miles.
- No. 43i.. Return to Address; Correspondence relating to the removal of the Railway Office from Victoria to New Westminster; also, the cost of repairing and fitting up the old Government House at New Westminster as a Railway Office. (*Not printed.*)
- No. 43j. Return to Order; Statement of all moneys paid up to the 1st March, 1879, on the Pembina Branch Extension; the part from Fort William to Sunshine Creek; from Sunshine Creek to English River; from Rat Portage to Cross Lake, and the expenditure at Thunder Bay; and the expenditure on the Fort Frances Canal. (*Not printed.*)
- No. 43k.. Return to Address; Order in Council passed in June, 1876, locating the line of the Canada Pacific Railway between Thunder Bay and a point at or near Fort George, in British Columbia; also between Yellowhead Pass and Burrard Inlet.
- No. 43l.. Return to Order; Tenders containing schedules of quantities and prices at the letting of Contracts Nos. 13, 14, 15 and 25, Canadian Pacific Railway.

---

CONTENTS OF VOLUME No. 9.

- No. 43m. Communication from Sandford Fleming, Esq., 1st February, 1879, accompanied by Tenders for the construction of works from English River to Eagle River, 118 miles,—from Eagle River to Keewatin, 67 miles,—from English River to Keewatin, 185 miles,—and letter from Marcus Smith to Sandford Fleming, Esq., in relation thereto, dated the 31st January, 1879.
- Further communication from Sandford Fleming, Esq., of the 12th February, 1879, in reference to his Report of the 1st February, 1879, on the Tenders received for constructing the Sections of the Canadian Pacific Railway, between English River and Keewatin.
- No. 43n.. Report addressed to the Hon. the Minister of Public Works, Canada, by Sandford Fleming, Esq., C.M.G., Engineer-in-Chief, respecting the Canadian Pacific Railway, 1879.
- No. 43o.. Agreement between Joseph Upper & Co. and Her Majesty the Queen to equip and work the Pembina Branch of the Canadian Pacific Railway, in lieu of Government, under agreement of 3rd August, 1878, of Geo. Stephen and St. Paul and Pacific Railway Company. (*Not printed.*)
- No. 44.. MANITOBA:—Statement of the number of immigrants who have come to Manitoba under the auspices of the Immigration Agents during 1878. (*Not printed.*)
- No. 44a.. Return to Order; List of Patents issued in the various Parishes of the Province of Manitoba, for lands in the settlement belt. (*Not printed.*)
- No. 44b.. Return to Address; Order in Council by which certain lots of land on the Red River, in Manitoba, were reserved for settlement. (*Not printed.*)

- No. 44c. MANITOBA:—Return to Order; Statement shewing the number of Leases granted by the Government to cut timber on the Public Land of the Dominion within the settlement belt on the Red River, Manitoba. (*Not printed.*)
- No. 44d. Message transmitting certain papers having reference to the financial position of the Province of Manitoba.
- No. 45. RIMOUSKI, WHARF AT:—Return to Order; Report of the Engineers respecting the improvements required to the wharf at Rimouski, to render it more convenient for the landing of the English mails, &c. (*Not printed.*)
- No. 46. ESQUIMALT GRAVING DOCK:—Return to Address; Correspondence respecting the offer of the Government of British Columbia in 1878, "to grant to the Admiralty, the site, plant and material on hand, and work already done" of the proposed Esquimalt Graving Dock.
- No. 47. MERCIER, PIERRE ALEXIS & E. H.:—Return to Order; Statement shewing the number of days during which Pierre Alexis Mercier, an officer of the Customs Department at Montreal, absented himself during the year 1878, with or without leave of absence. (*Not printed.*)
- No. 47a. Return to Order; Statement shewing the number of days during which Edward H. Mercier, an officer of Her Majesty Customs, and a Landing Waiter at the Port of Montreal, absented himself during the year 1878, with or without leave of absence. (*Not printed.*)
- No. 48. BAR IRON, N.S. & N.B.:—Return to Order; Return shewing the number of tons of bar iron imported into Nova Scotia and New Brunswick, for the year ended 31st December, 1878; and value for duty. (*Not printed.*)
- No. 49. MACKEREL:—Return to Order; Correspondence relating to the practice of mackerel seining in the waters of the Gulf of St. Lawrence. (*Not printed.*)
- No. 50. PURDY, CAPTAIN:—Return to Order; Correspondence referring to the dismissal of Captain Purdy from the command of the Government Steamer *Newfield*.
- No. 51. COMMON PLEAS, ONTARIO, COURT OF:—General Rules made by the Court of Common Pleas for Ontario, under the Act of the Dominion of Canada, intituled, "The Dominion Controverted Elections Act, 1874." (*Not printed.*)
- No. 52. SECRETARY OF STATE FOR CANADA:—Report of, for the year ended 31st December, 1878.
- No. 53. CATTLE TRADE:—Return to Address:—Correspondence between the Government of Canada and Her Majesty's Imperial Government and the Government of the United States, on the subject of the importation into Great Britain of cattle from America.
- No. 54. TEA, SUGAR, &c., DUTY ON:—Return to Order; Amount of duty paid during the month of February, 1879, on the articles of tea, sugar, wines, cottons and spirits, respectively. (*Not printed.*)
- No. 55. LACHINE CANAL, EMPLOYÉS:—Return to Order; Statement giving the names of all persons now permanently or temporarily employed on the Lachine Canal. (*Not printed.*)
- No. 56. JORDAN BAY BREAKWATER:—Return to Order; Tenders received for the erection of the Breakwater at Jordan Bay, in the County of Shelburne. (*Not printed.*)
- No. 57. BRITISH COLUMBIA PENITENTIARY:—Return to Address; Report made by the Deputy Adjutant-General in British Columbia, complaining of the Warden of the Penitentiary in that Province. (*Not printed.*)
- No. 58. CASCOMPEC HARBOR:—Return to Order; Engineers' Plans and Reports, relating to the improvement of Cascompec Harbor. (*Not printed.*)
- No. 59. YAMASKA RIVER:—Return to Address; Reports of Engineers, during the year 1878, respecting the improvement of navigation on the River Yamaska. (*Not printed.*)
- No. 60. BEAUHARNOIS CANAL, EMPLOYÉS:—Return to Order; Shewing the number of persons employed on the Beauharnois Canal and the number dismissed or pensioned since the 5th November, 1873. (*Not printed.*)
- No. 61. CORNWALL CANAL, HYDRAULIC LEASES:—Return to Order; Return of all Hydraulic Leases on the Cornwall Canal. (*Not printed.*)

- No. 62... CLARK, W. R. Esq.:—Confidential Memorandum from W. F. Whitcher to the Hon. J. O. Pope, Minister of Marine and Fisheries, on account filed by W. R. Clark, Esq., of Boston, U.S., for services in connection with the Fisheries Commission. (*Not printed.*)
- No. 62a... Return to Address; Correspondence relating to the payment of \$10,000 to W. R. Clark, for alleged services rendered to the Canadian Government in connection with the Halifax Fishery Commission. (*Not printed.*)
- No. 63... CAMPBELL, W. D.:—Return to Order; Copies of the lease of the rivers of the Seigniory of Bic, in the County of Rimouski, granted to W. D. Campbell, Esquire, Notary, of Quebec. (*Not printed.*)
- No. 64... CANALS, U. S., FREE NAVIGATION OF:—Return to Address; Correspondence subsequent to a Return made on the 5th of April, 1876, respecting the action taken in denying to Canadians the free navigation of the United States or State Canals and the Hudson River.
- No. 65... STATUTE LABOR:—Return to Address; Correspondence between the Dominion Government and that of the Province of Quebec, respecting the adjustment of certain statute labor (*droits de corvée*) in the Parishes of St. Fabien, &c., during the last General Elections. (*Not printed.*)
- No. 66... ST. JOHN AND ST. FRANCIS RIVERS, BRIDGING OF:—Resolutions of the Legislature of the State of Maine, in relation to the navigation and bridging of the Rivers St. John and St. Francis, where said rivers are the line of boundary between the said United States and the Dominion of Canada. (*Not printed.*)
- No. 67... NATIONAL INVESTMENT COMPANY OF CANADA:—Annual Report of, to 31st December, 1878. (*Not printed.*)
- No. 68... ACTIVE MILITIA, MILITARY DISTRICT No. 5:—Return to Order; Statement shewing the names of the officers, non-commissioned officers and men, forming No. 1 Company of the 21st Battalion of the Active Militia in Military District No. 5. (*Not printed.*)
- No. 69... NAVIGATION, SCHOOL OF, QUEBEC:—Return to Address; Correspondence since 1873, between the Dominion Government of the Province of Quebec, in relation to a school of navigation at Quebec. (*Not printed.*)
- No. 70... McCLARY, PETER:—Return to Order; Correspondence which led to the superannuation of Peter McClary, Collector of Inland Revenue, for the City of London, and East Riding of Middlesex. (*Not printed.*)
- No. 71... OFFICE, DISMISSALS FROM:—Return to Address; Correspondence between His Excellency Lord Dufferin and the Members of the late Administration on dismissal from office of those appointed in October and November, 1873; and also, appointments made between 17th September and 10th October, 1873. (*Not printed.*)
- No. 72... CANADA CENTRAL RAILWAY EXTENSION:—Return to Address; All contracts or agreements for the extension of the Canada Central Railway, since the 1st day of January, 1878; also, for the construction of the Georgian Bay Branch Railway. (*Not printed.*)
- No. 73... FISHERY AWARD, APPROPRIATION:—Return to Address; Correspondence addressed by the Local Governments to the Dominion Government, upon the question of the appropriation of the Fishery Award.
- No. 73a... Return to Address; Correspondence which has passed between the Local Government of Prince Edward Island and the Government of the Dominion, having reference to the award of the Fishery Commission or to the disposal thereof.
- No. 74... ROBERTSON, WILLIAM:—Return to Order; Correspondence relating to the dismissal or replacement of William Robertson, Clerk of Works and Inspector under the contract for building the Penitentiary, Dorchester, N.B. (*Not printed.*)
- No. 75... BONDED WAREHOUSES:—Return to Order; Return of all Merchandize remaining in the Bonded Warehouses, by Provinces, on the 31st December, 1878; also, from the 1st January to the 31st March, 1879. (*Not printed.*)
- No. 76... COLLINGWOOD, HARBOR OF:—Return to Order; Statement shewing the amount expended on Harbor of Collingwood during the season of 1878. (*Not printed.*)

- No. 77... **IMPORTS AND EXPORTS**:—Return to Order; Return of all Imports and Exports, by Provinces, for the six months ending 31st December, 1878; also for the months of January and February, 1879. (*Not printed.*)
- No. 78... **CUSTOMS AND EXCISE DUTIES**:—Return to Order; Return of the sum paid on account of Customs and Excise Duties during the month of February, 1879. (*Not printed.*)
- No. 79... **PENITENTIARY, ST. JOHN**:—Return to Address; Correspondence relating to the claim of the City and County of St. John, to send prisoners under sentence for less than two years to the St. John Penitentiary.
- No. 80... **TASCHEREAU, THOMAS**:—Return to Address; Correspondence between the late Administration and the Honorable Jean Thomas Taschereau, late Judge of the Supreme Court, respecting his superannuation, &c. (*Not printed.*)
- No. 81... **SUPREME COURT AND COURT OF EXCHEQUER**:—Return to Address; Statement shewing the number of judgments rendered by the Supreme Court and the Court of Exchequer of Canada, and the number of employes of the said Courts.
- No. 82... **CARDINAL, REGIS**:—Return to Order; Correspondence relating to the recent dismissal of Regis Cardinal, heretofore an employé of the Inland Revenue Department. (*Not printed.*)
- No. 83... **MORPETH HARBOR**:—Return to Address; Correspondence relating to the construction of a Harbor at or near Morpeth, in the Electoral District of Bothwell, Ontario.
- No. 84... **TIN CANS, DUTY ON**:—Return to Address; Correspondence relating to the duty imposed by the Government of the United States on Tin Cans containing Lobsters, &c. (*Not printed.*)
- No. 85... **QUARTZ MINING MACHINERY, B.C.**:—Return to Order; Letters and telegrams received by the Minister of Customs, during the year 1878, from parties in British Columbia, in regard to the admission during that year into the said Province of Machinery for Quartz Mining, on the condition of security being given that the duties thereon would be paid within twelve months. (*Not printed.*)
- No. 86... **NORTH-WEST TERRITORIES**:—Ordinances passed by the Lieutenant-Governor and Council of the North-West Territories, on the 2nd August, 1878.
- No. 87... **LAYTON, RICHARD**:—Return to Address; Correspondence with the Government relative to the appointing of Mr. Richard Layton as Warden of the Penitentiary in British Columbia. (*Not printed.*)
- No. 88... **VOTES POLLED, GENERAL ELECTION**:—Return shewing the number of votes polled for each Candidate in the different Electoral Districts during the late General Elections.

---

CONTENTS OF VOLUME No. 10.

- No. 89... **CANADIAN VESSELS, LAKE MICHIGAN**:—Return to Address; Correspondence in relation to Canadian vessels, bound for Lake Michigan, reporting at Port Huron instead of at Sheboygan, as is the practice at present.
- No. 90... **MILITIA, ACTIVE**:—Return to Order; Transmitting the names, rank, &c., of all officers of the Active Militia who offered their services to Great Britain. (*Not printed.*)
- No. 91... **RIVER DU LOUP PIER**:—Return to Order; Instructions given to the Engineer and Superintendent, of works done on River du Loup Pier, in the County of Temiscouata, in 1878. (*Not printed.*)
- No. 92... **LETTER, PRIVATE**:—Return to Order; Correspondence relating to the transmission during the recent Dominion Elections, of a certain letter, marked private and confidential, then on file in the Post office Department, Ottawa, to a voter in the East Riding of Northumberland. (*Not printed.*)
- No. 93... **DRUMMONDVILLE, WENDOVER AND SIMPSON MAILS**:—Return to Order; Shewing the distance traversed, and the amount paid for the carriage of the mails between Drummondville, Wendover and Simpson. (*Not printed.*)

- No. 94... STEAM NAVIGATION COMPANY:—Return to Order; Copies of contract for Mail Service with Steam Navigation Company of Prince Edward Island, at the time the Island entered Confederation. (*Not printed.*)
- No. 95... PRITTIE, R. W.—Return to Address; Order in Council, authorizing an arrangement to be made with Mr. R. W. Prittie, and others, relating to the introduction and settlement of settlers in the Province of Manitoba. (*Not printed.*)
- No. 96... KETCHUM, MR., CORRESPONDENCE:—Return to Order; Correspondence from the Warden of the St John Penitentiary, relating to the Inspector, Mr. Moylan's Report of the investigation of Mr. Ketchum, the Warden. (*Not printed.*)
- No. 97... KETCHUM, MR., AND INSPECTOR'S REPORT:—Return to Order; Copy of Inspector Moylan's Report of the investigation of the case of Mr. Ketchum, Warden of St. John, N.B., Penitentiary. (*Not printed.*)
- No. 98... NEW BRUNSWICK, GOVERNMENT OF:—Return (*in part*) to Address; Correspondence between the Government of New Brunswick and the Government of the Dominion, relating to certain claims preferred by the former against the latter Government.
- No. 99... RIMOUSKI, HARBOR OF REFUGE:—Return to Address; Correspondence respecting the non-appropriation by the late Administration of the sum of \$250,000, voted in 1874, for a Harbor of Refuge at Rimouski. (*Not printed.*)
- No. 100. MERCANTILE MARINE OF CANADA:—Return to Address; Documents relating to the examination before the Boards of Examiners of the Mercantile Marine of Canada of Masters desirous of obtaining certificates as extra Masters. (*Not printed.*)
- No. 101. TIDAL HARBOR, QUEBEC, AND GRAVING DOCK, LÉVIS:—Return to Address; Return of the names of persons tendering for the construction of the works in the Tidal Harbor at Quebec, and the Graving Dock at Lévis, respectively.
- No. 102. CARON, CLOVIS, FISHERY OVERSEER:—Return to Order; Copies of the complaint made last Autumn by Mr. Clement Rouleau, of St. Anne de la Pocatière, in the County of Kamouraska, against Mr. Clovis Caron, Fishery Overseer. (*Not printed.*)
- No. 103. ST. VINCENT DE PAUL PENITENTIARY:—Return to Order; Statement shewing the names of the several permanent and temporary officers and employés of the Penitentiary of St. Vincent de Paul. (*Not printed.*)
- No. 104. YARWOOD, C. ST. GEORGE:—Return to Address; Correspondence respecting the superannuation of C. St. George Yarwood, Landing Water at Chippewa, County of Welland. (*Not printed.*)
- No. 105. OLD BIC HARBOR:—Return to Address; Petitions presented since 1875, in relation to the improvements to be made in the Harbor, commonly called "Old Bic." (*Not printed.*)
- No. 106. L'ASSOMPTION RIVER:—Return to Order; Correspondence relating to the deepening of the River l'Assomption. (*Not printed.*)
- No. 107. LANGEЛИER, CHARLES:—Return to Order; Statement of all money paid to Mr. Charles Langeлиer, for the use of his bridge on the Chambly Canal. (*Not printed.*)
- No. 108. PRINCE EDWARD ISLE, CIVIL SERVICE:—Return to Order; Sessional Paper No. 73, (not printed) 1875, respecting dismissals from, and appointments to the Civil Service, in Prince Edward Island. (*Not printed.*)
- No. 109. BRITISH COLUMBIA IMPORTS, &c.:—Return to Order; Shewing the quantities and values of the different articles of merchandize imported into British Columbia from other Provinces of the Dominion in 1878; also, the Exports, &c. (*Not printed.*)
- No. 110. COLUMBIA, FISHERIES OF:—Return to Order; Sessional Paper 42 (not printed) 1877, respecting Fisheries of Columbia.
- No. 111. NORTH RIVER AND ST. ANDREWS:—Return to Order; Correspondence relating to the dredging of the North River to St. Andrews. (*Not printed.*)
- No. 112. GROSSE ISLE, PUBLIC WORKS:—Return to Order; Contracts for public works, &c., on Grosse Isle, between the 15th November, 1873, and 1st January last. (*Not printed.*)

- No. 113.. INTERCOLONIAL RAILWAY, THROUGH FREIGHT RATES:—Return to Order; Correspondence with the Intercolonial and Steamship Companies, with a view of obtaining through freight rates upon grain, as will constitute Halifax the winter shipping port of the Dominion.
- No. 114.. INDIANS, CHICOUTIMI, VACCINATION OF:—Return to Order; Instructions given to Dr. Lacombe, of Chicoutimi, as to the vaccinating of the Indians of the County of Chicoutimi. (*Not printed.*)
- No. 115.. OFFICIAL ASSIGNEES, QUEBEC:—Return to Order; Statement of all moneys paid over by the Official Assignees of the Province of Quebec, under the provisions of the Act 38 Vic., Chap. 16, sec. 42. (*Not printed.*)
- No. 116.. VETERANS OF 1812-15:—Return to Order; Giving the names and residences of all the veterans of the war of 1812-15, who received a pension during the year 1878. (*Not printed.*)
- No. 117.. HAMILTON, CITY OF, APPOINTMENTS:—Return to Order; Of the names of all persons appointed in the Inland Revenue Office, &c., in the City of Hamilton, between 4th November, 1873, and 10th October, 1878. (*Not printed.*)
- No. 118.. WOOD, HONORABLE CHIEF JUSTICE:—Return to Address; Report of all cases returned to the Government by the Honorable Chief Justice Wood, Commissioner under the Act 38 Vic., Chap. 53. (*Not printed.*)
- No. 119.. PUBLIC PROPERTY, TRANSFER OF:—Return to Order; Papers relative to the sale or transfer of the Barracks at Fredericton, New Brunswick; also, relative to the lease of certain military properties for the purpose of constructing a Graving Dock at Quebec; also, relating to the transfer of certain military properties at Toronto for the purpose of erecting buildings for the Provincial Exhibition. (*Not printed.*)
- No. 120.. SPIRITS AND TOBACCO:—Return to Order; Return of the quantity of spirits, malt, malt liquor and tobacco, manufactured, &c., remaining in warehouse, and revenue accruing therefrom, from 1st January to 31st March, 1879. (*Not printed.*)
- No. 121.. CHENAL DU MOINE PIERS:—Return to Address; Correspondence respecting the construction of Piers to be built in the Chenal du Moine. (*Not printed.*)
- No. 122.. PRINCE ARTHUR'S LANDING AND KAMINISTIGUIA:—Return to Order; Returns of numbers, tonnage, and weight of general cargo of vessels that have entered and cleared from Prince Arthur's Landing and the Kaministiquia, respectively, during the season of 1878. (*Not printed.*)
- No. 123.. LADY HEAD STEAMER:—Return to Order; Minutes of the enquiry held as to the loss of the steamer "Lady Head," last autumn, and of the number of vessels the Government has at its disposal for the protection of our Fisheries (*Not printed.*)
- No. 124.. SARAH E. BRYANT, STEAM TUG:—Return to Order; Correspondence in reference to the seizure of the steam tug, "Sarah E. Bryant," of Buffalo, N. Y., by the Customs authorities at Dunnville.
- No. 125.. RIVER DU LOUP, FREIGHT:—Return to Order; Shewing the number of car loads of the different kinds of freight forwarded from River du Loup into the Maritime Provinces, &c.
- No. 126.. L'ASSOMPTION RIVER, BRIDGE:—Return to Order; Correspondence relating to the construction of the bridge over L'Assomption River, at L'Assomption. (*Not printed.*)
- No. 127.. INDIAN LAND CLAIMS:—Return to Address; Correspondence in reference to the arrears due on account of Indian Land Claims on Lakes Huron and Superior.
- No. 128.. GREEN OR ADAM'S ISLAND:—Return to Order; Instructions given to Mr. John Davidson, the Indian Agent at Dundee, respecting Green or Adams Island, in the St. Lawrence. (*Not printed.*)
- No. 129.. VACCINATION—INDIANS, SAGUENAY:—Return to Order; Instructions given to Dr. F. X. Laterriere, of Chicoutimi, as to vaccinating the Indians of the County of Saguenay. (*Not printed.*)
- No. 130.. INDIANS ENFRANCHISED:—Return to Order; Return of all Indians who have become enfranchised within the past ten years. (*Not printed.*)



- No. 131.. ALASKA BOUNDARY:—Return to Address; Memorandum of the circumstances that led to the conclusion of the Convention between Great Britain and Russia, of February, 1825, &c. Also, a copy of the most reliable maps and any Reports respecting the Alaska boundary. (*Not printed.*)
- No. 132.. AMET ISLAND BREAKWATER:—Return to Order; Estimates of cost of relaying the Stone Breakwater around Amet Island, in the Province of Nova Scotia. (*Not printed*)
- No. 133.. RIVER ST. JOHN, N.B.:—Return to Order; Correspondence in connection with Bridges placed across the River St. John, N.B., at Woodstock and at Andover, County of Victoria. (*Not printed.*)
- No. 134.. ELLA G. MCLEAN, SCHOONER:—Return to Order; Correspondence in any way connected with the chartering and purchase of the schooner "Ella G. McLean." (*Not printed.*)
- No. 135.. DESCHAMPS, ANTOINE:—Return to Order; Papers relating to the discharge of Antoine Deschamps, Light Keeper of St. Anne's, in the County of Jacques Cartier. (*Not printed.*)
- No. 136.. SIMPSON, GEORGE, AND SHERWOOD, W. H.:—Return to Order; Correspondence relating to the dismissal of George B. Simpson and the appointment of William H. Sherwood as Keeper of the main Lighthouse at Presqu'Isle Harbor. (*Not printed.*)
- No. 137.. PILOTS' FUND:—Return to Order; Petition of the Pilots, praying that the Pilots' Fund may be placed under the control of the Government, as it was formerly. (*Not printed.*)
- No. 138.. SAUGEEN RIVER LIGHTHOUSE:—Return to Order; Correspondence relative to the erection of a Lighthouse at the mouth of Saugeen River. (*Not printed.*)
- No. 139.. RICHARD, MR.:—Return to Order; Correspondence relating to the resignation of Mr. Richard, Lighthouse Keeper at the Brandy Pots. (*Not printed.*)
- No. 140.. PRESQU'ISLE BAY LIGHTHOUSE:—Return to Order; Respecting the site and building of Lighthouse at Presqu'Isle. (*Not printed.*)
- No. 141.. COX, MR.:—Return to Order; Reports in relation to the appointment of Mr. Cox, Keeper of the Lighthouse at Cape Beale. (*Not printed.*)
- No. 142.. RIVER ST. LAWRENCE HARBORS:—Return to Order; Contracts for provisioning the Harbors in the River St. Lawrence. (*Not printed.*)
- No. 143.. BRITISH COLUMBIA GRAVING DOCK:—Message transmitting certain papers having reference to advances to be made to the Province of British Columbia, for the construction of a Graving Dock.
- No. 144.. CAPES TORMENTINE AND TRAVERSE:—Report of Survey of Coast in vicinity of Capes Tormentine and Traverse, in Prince Edward Island, and a suggested Railway, with a view to secure Winter communication with the Island.
- No. 145.. MASON, WILLIAM:—Return to Address; Instructions to Solicitors by the Hon. Rodolphe Laflamme, as Her Majesty's Attorney General, against William Mason, and several others, for trespass upon lands of the Crown upon Presqu'Isle Peninsula. (*Not printed.*)
- No. 146.. MIRAMICHI, MARINE HOSPITAL:—Return to Order; Correspondence, "between 1st January, 1877, and 1st January, 1879," in reference to the Marine Hospital at Miramichi, New Brunswick. (*Not printed.*)
- No. 147.. PRESQU'ISLE PENINSULA, FREE GRANTS:—Return to Address; Correspondence relating to the last survey and proposed sale or free grant of the lands upon Presqu'Isle Peninsula. (*Not printed.*)
- No. 148.. INDIAN AGENTS, MANITOBA:—Return to Address; Relating to the dismissal of Indian Agents and Indian Superintendents for Manitoba or the North-West Territories. (*Not printed.*)
- No. 149.. LOUGHEAD, SAMUEL:—Return to Order; Relating to the dismissal of one Samuel Loughead, Postmaster at Mulesworth. (*Not printed.*)

- No. 150.. TALBOT, ACHILLE :—Return to Address ; Complaint lodged on the 21st August, 1875, by Achille Talbot, Esq., late Deputy Post Office Inspector, against certain Postmasters in the County of Montmagny. (*Not printed.*)
- No. 150a.. Return to Address ; Report made on 21st August last, by Achille Talbot, Esq., against Stanislaus Vallée, Esq., Postmaster at Montmagny. (*Not printed.*)
- No. 151.. WILKINS, JUDGE :—Return to Order ; Correspondence in connection with the resignation of Judge Wilkins. (*Not printed.*)
- No. 152.. CENTENNIAL EXHIBITION, PHILADELPHIA :—Return to Order : Shewing the names, etc., of all persons appointed as Commissioners or Secretaries, in connection with the Canadian Exhibit at the Centennial Exhibition, Philadelphia.
- No. 153.. WRECKING AND COASTING, CANADIAN WATERS :—Return to Order ; Correspondence relating to Wrecking and Coasting in Canadian waters.
- No. 154.. BERTHIER WHARF :—Return to Order ; Statement shewing the number of men employed in repairing the wharf at Berthier, Montmagny, in each year since 1874. (*Not printed.*)
- No. 155.. TARIFF DESPATCH :—Message ; Despatch on the subject of the Tariff recently introduced to the Legislature.
- No. 156.. MITCHELL & Co., SUPPLIES :—Return to Order ; Accounts, with prices of goods, etc., furnished to the Department of Marine and Fisheries by the late firm of Messrs. Mitchell & Co., Montreal, etc. (*Not printed.*)
- No. 157.. CUSTOM DUTIES ON SALT, ETC. :—Return to Address ; Correspondence on the Customs duties which the Government of Newfoundland levies on salt, barrels, etc., used in the Fisheries, on board Canadian vessels resorting to the coast of Newfoundland.
- No. 158.. ENGINEERS LICENSED IN CANADA :—Return to Address ; For the names and residences of all Licensed Engineers in the Dominion of Canada. (*Not printed.*)
- No. 159.. INLAND REVENUE, P. O., AND CUSTOMS APPOINTMENTS, TORONTO :—Return to Order ; Names of all persons appointed in the Inland Revenue, Post Office, and Customs House in the City of Toronto, between 4th November, 1873, and 10th October, 1878. (*Not printed.*)
- No. 160.. 'NORTHERN LIGHT' STEAMBOAT :—Return to Order ; Tenders received for the building of the steamboat "The Northern Light," &c. (*Not printed.*)
- No. 161.. 'CANADA GAZETTE,' N. B. :—Return to Order ; Shewing the names of all officials in New Brunswick who are entitled to receive copies of the *Canada Gazette*. (*Not printed.*)
- No. 162.. LIGHTHOUSES, RIVER ST. LAWRENCE, OILS :—Return to Order ; Correspondence in relation to the furnishing of coal oil or other oils for the Lighthouses on the River St. Lawrence, in the Province of Quebec and in the Gulf, since 1873. (*Not printed.*)
- No. 163.. REPORT SAULT STE. MARIE RAILWAY :—Return to Address ; Report and profiles of a survey for a line of Railway from Sault Sainte Marie eastward, made in 1871, by Mr. Murdoch, C.E.
- No. 164.. TENDERS, PUBLIC WORKS :—Return to Order ; Statement shewing the dates upon which tenders were received for Public Works, &c., between the 1st November, 1873, and the 10th October, 1878.
- No. 165.. RYLAND, MR. :—Return to Address Correspondence, relative to the claim of Mr. Ryland, for interest due him on the Canadian moiety of Chief Justice Carter's award. (*Not printed.*)
- No. 166.. WESTERN DEPARTMENTAL BUILDING—EXPENDITURE ON :—Return to Order ; Statement shewing the total expenditure in detail, upon the addition made to the Western Departmental Building. (*Not printed.*)
- No. 167.. RIDEAU CANAL DAMAGES :—Return to Order ; Return of all claims for damages, caused by waters dammed back for the purposes of the Rideau Canal since 1st January, 1872. (*Not printed.*)

- No. 168.. DUSSEAULT, J.B. :—Return to Order ; Statement shewing all sums paid from the year 1875 up to this date, to Mr. Jean Baptiste Dusseault, Merchant, of L'Islet, in the County of L'Islet, &c. (*Not printed.*)
- No. 169.. IRON RAILS :—Return to Order ; Statement shewing the quantity of old Iron Rails the Government now has at its disposal, &c.
- No. 170.. QUEBEC—REPAIRING WALLS :—Return to Order ; Statement shewing the sums of money expended for repairing the walls of the City of Quebec, between the 1st of August and the 1st of October, 1878. (*Not printed.*)
- No. 171.. RONDEAU HARBOR :—Return to Order ; Contracts since 1874 for repairs to Rondeau Harbor of Refuge. (*Not printed.*)
- No. 172.. MARITIME COURT, ONTARIO :—Return to Address ; Cases disposed of by the Maritime Court of Ontario up to 1st March, 1879.
- No. 173.. CANALS, WELLAND AND ST. LAWRENCE :—Return to Order ; Correspondence from Messrs. Booth and others, with reference to supplying oak for the construction of lock gates on the new line of the Welland and St. Lawrence Canals. (*Not printed.*)
- No. 174.. PICTOU AND TRURO RAILWAY :—Return to Order ; Correspondence with respect to the transfer of the Pictou and Truro Railway. (*Not printed.*)
- No. 175.. CARILLON DAM AND LOCKS :—Return to Order ; Shewing all tenders received for the completion of the Carillon Dam and Locks and Report of Messrs. Shanly and Keefer thereon.
- No. 176.. FEES PAID COUNSEL BY GOVERNMENT :—Return to Order ; Fees paid by the Government to, and the names of all Counsel, &c., employed by the Dominion Government.
- No. 177.. POSTMASTER, TORONTO :—Return to Address ; Accounts rendered by the Postmaster at Toronto, between the first day of July, 1874, up to the first day of July, 1878. (*Not printed.*)
- No. 178.. ST. FABIEN POST OFFICE :—Return to Order ; Correspondence between the Government and the Postmaster of the Parish of St. Fabien, Mr. Vidal Roy, respecting the change in the Post Office of that Parish. (*Not printed.*)
- No. 179.. LESUEUR, MR. :—Return to Order ; Reports relating to the superannuation of Mr. LeSueur, formerly of the Post Office Department. (*Not printed.*)
- No. 180.. FORSYTH, W. F. :—Return to Order ; Reports relating to the employment of W. F. Forsyth in the Post Office Department. (*Not printed.*)
- No. 181.. ROYAL INSTRUCTIONS :—Return to Address ; Correspondence between the Government of Canada and the Government of the United Kingdom, upon the subject of the Royal Instructions, prior to the 5th October, 1878. (*Not printed.*)
- No. 182.. ST. FABIEN, P.O. :—Return to Order ; Correspondence since the 10th of October, 1878, respecting the contract for carrying the mail between the Railway Station and the Post Office of the Parish of St. Fabien. (*Not printed.*)
- No. 183.. LÉVESQUE, S. :—Return to Order ; Complaint brought against Mr. Salutre Lévesque, in his quality of Postmaster and Mail Carrier, in and for the Parish of St. Donat. (*Not printed.*)
- No. 184.. GRANTS OF LAND :—Return to Address ; Correspondence since the 1st July, 1878, on the subject of Grants of Lands for the encouraging of Immigration and the settlement of lands in the Province of Manitoba and the North-West Territories. (*Not printed.*)
- No. 185.. SELKIRK, ELECTORAL DISTRICT OF :—Return to Address ; Correspondence relating to the recount of ballots at the last Election for the Electoral District of Selkirk, in the Province of Manitoba. (*Not printed.*)
- No. 186.. KAMINISTQUIA RIVER, DREDGING OF :—Return to Order ; Correspondence relative to the dredging of the Kaministiquia River, and the practicability of forming a Harbor, &c.
- No. 187.. RAILWAY STATISTICS OF CANADA :—Reports for 1877-8. (*Printed in English as No. 188.*)

- No. 188. NORTH-WEST MOUNTED POLICE:—Return to Order; Expenditure during 1876, 1877 and 1878 on account of the North-West Mounted Police, with Statement of moneys paid to J. G. Baker & Co., of Fort Benton, Montana Territory, U.S.
- No. 189. PUBLIC SERVICE OF CANADA:—Return to Address; Statement shewing the names of all persons who received any appointment or engagement, either permanent or temporary, in the Public Service of Canada, between the tenth day of October last and the first day of April, instant.
- No. 190. BRITISH COLUMBIA, INDIAN RESERVES:—Return to Address; Correspondence between the Government of Canada and the Commissioners of the Indian Reserves in British Columbia. (*Not printed.*)
- No. 191. 'GLENDON' STEAMER:—Return to Order; Papers connected with the purchase, repairs, and sea-worthiness of the Steamer "Glendon." (*Not printed.*)
- No. 192. RIVIÈRE DU LOUP BRANCH, G. T. R.:—Correspondence respecting the Rivière du Loup Branch of the Grand Trunk Railway.
- No. 193. WINDSOR AND ANNAPOLIS RAILWAY:—Return to Order; Gross earnings, year by year, of the Windsor Branch Railway, from the 1st January, 1872, to the 1st August, 1877. (*Not printed.*)
- No. 194. FORT FRANCES LOCK:—Return to Order; Expenses incurred in connection with the building of the Fort Frances Lock up to the 1st day of January, 1879. (*Not printed.*)
- No. 195. DOMINION RAILWAYS, PERSONS EMPLOYED, &c.:—Return to Order; Number of persons employed on the 31st December last on each of the railways of the Dominion, &c. (*Not printed.*)
- No. 196. KINCARDINE HARBOR WORKS:—Return to Order; Expenditure in Kincardine, County of Bruce, in connection with Harbor Works from the 1st May, 1873, to the last of October, 1878. (*Not printed.*)
- No. 197. PRINCE ARTHUR'S LANDING HARBOR:—Return to Order; Documents in reference to the Harbor of Prince Arthur's Landing. (*Not printed.*)
- No. 198. MATANE AND RIVER BLANCHE:—Return to Order; Statement shewing the nature of the work done at Matane and at River Blanche, in Rimouski, from 1st July to 10th October, 1878. (*Not printed.*)
- No. 199. PECK, THOMAS:—Return to Order; Correspondence relative to an increase of salary to be paid to Thomas E. Peck, Customs Officer, Nanaimo. (*Not printed.*)
- No. 200. DRAWBACK ALLOWED ON CANADIAN GOODS:—Return to Order; Shewing what drawback was allowed on goods manufactured in Canada in 1877 and 1878 and exported.

REPORT,  
RETURNS AND STATISTICS  
OF THE  
INLAND REVENUES  
OF THE  
DOMINION OF CANADA  
FOR THE  
FISCAL YEAR ENDED 30TH JUNE, 1878.

---

*Presented to both Houses of Parliament by Command of His Excellency.*

L. F. G. BABY

*Minister of Inland Revenue.*

---



OTTAWA :

PRINTED BY MACLEAN, ROGER & CO., WELLINGTON STREET.

1879.



To His Excellency the Right Honorable Sir JOHN DOUGLAS SUTHERLAND CAMPBELL,  
Marquis of LORNE, K.T., G.C.M.G., P.C., Governor General of Canada, &c., &c., &c.

MAY IT PLEASE YOUR EXCELLENCY :

I have the honour to transmit to Your Excellency the RETURNS and STATISTICS  
of Inland Revenue of the Dominion of Canada, for the Fiscal Year ended 30th June,  
1878, as prepared and laid before me by the Commissioner of Inland Revenue.

All of which is respectfully submitted.

L. F. G. BABY,

*Minister of Inland Revenue.*

3rd January, 1879.





# CONTENTS.

	PAGE
REPORT of the Commissioner of Inland Revenue for the Fiscal Year ended 30th June, 1878 :—	1-46
FINANCIAL STATEMENTS, as detailed below.....	48-186
STATISTICS (Appendix A) do .....	187-234
EXPENDITURE (Appendix B) do .....	235-251
HYDRAULIC RENTS, ETC., (Appendix C), as detailed below.....	<i>Vide end.</i>
INDEX, Alphabetical.....	<i>Vide end.</i>

## FINANCIAL.

No. of State- ment.		Page.
1	GENERAL REVENUE ACCOUNT—Showing amount of Revenue accrued and collected from all sources during the year ended 30th June, 1878.....	2
2	GENERAL EXPENDITURE ACCOUNT—Showing the cost of collecting the above.....	3
3	EXCISE COLLECTION DIVISIONS—In account with Revenue .....	4
4	do do do Expenditure.....	6
5	CANAL REVENUE, Collectors of do Revenue.....	8
6	do do do Expenditure.....	10
7	SLIDES AND BOOMS' DEES, Collectors of do Revenue.....	12
7½	do do do Expenditure.....	13
8	HYDRAULIC RENTS, ETC.—Aggregate Statement of Lessees' Accounts.....	14
9	HARBOURS, BRIDGES, FERRIES AND PIERS, Lessees, etc., of—In account with Revenue.....	15
10	CULLING TIMBER—Supervisor and Deputy Supervisor do do .....	16
10½	do do do do Expenditure.....	17
11	BILL STAMPS—Statement showing Revenue accrued.....	18
11½	MINOR EXPENDITURES.....	19
12	BILL STAMPS—Distributors of—In account with Inland Revenue Department.....	20
13	COMPARATIVE STATEMENT of Excisable articles taken for consumption during the years ended 30th June, 1877 and 1878, respectively.....	22
14	STATEMENT showing amounts deposited monthly (by Inland Revenue Officers and others) to the credit of the Honorable the Receiver-General, on account of each of the above Revenues, respectively.....	24
15	COMPARATIVE MONTHLY STATEMENT of Excise Revenue accrued—Showing increase or decrease of Revenue yielded by each article, respectively, during each month of the fiscal year, as compared with respective periods of the previous year.....	28
16	REFUNDS—Statement of—Showing names of parties to whom, and under what authority, duties were refunded.....	30
17	DEPARTMENTAL EXPENDITURE—Showing Expenditure on account of the Inside Service of the Department.....	34
18	WEIGHTS AND MEASURES, GAS AND LAW STAMPS—Statement showing Revenue accrued.....	35
19	WEIGHTS AND MEASURES STAMPS—Distributors of—In account with Inland Revenue Department.....	36
20	GAS AND LAW STAMPS—Distributors of—In account with Inland Revenue Department.....	39
21	WEIGHTS AND MEASURES—Inspection Divisions—In account with Expenditure.....	40
22	GAS—Inspection Districts—In account with Expenditure.....	44
23	STATEMENT showing the Amount Voted, and the Expenditure Authorized, for each service, for 1877-78.....	46

CONTENTS.—Continued.

STATISTICS—(APPENDIX A.)

EXCISE.

	Spirits.	Malt.	Malt Liquor.	Manufactured Tobacco.	Raw Leaf Tobacco.	Petroleum.	Bonded Manufactures.
RETURN OF MANUFACTURES—Showing the number of Licenses issued and Fees collected, the materials used, the quantities produced, the value of Duties collected ex-manufactory, and the value of Duties accruing upon excisable articles warehoused.....	48	56	62	64	.....	.....	75
COMPARATIVE STATEMENT of the above for the years ended 30th June, 1877 and 1878, respectively.....	50	58	63	66	.....	.....	76
RETURN OF VARIOUS TRANSACTIONS—Showing the quantity of excisable goods remaining in bonded warehouses of each Collection Division, respectively, from previous year; quantities placed in warehouse during fiscal year ended 30th June, 1878; quantities placed in warehouse from other Collection Divisions; also quantities ex-warehoused for consumption, with Duty accrued thereon; quantities ex-warehoused to be re-warehoused in other Collection Divisions; quantities ex-warehoused for exportation; also, quantities used in Bonded Manufactures, and quantities remaining in warehouse, 30th June, 1878.....	52	59	.....	68	72	.....	77
COMPARATIVE STATEMENT of the above for the years ended 30th June, 1877 and 1878, respectively.....	54	61	.....	70	72	.....	78
RETURN OF FEES for Inspection of Petroleum for the year ended 30th June, 1878.....	.....	.....	.....	.....	.....	.....	74
COMPARATIVE STATEMENT of Petroleum Inspection Fees for the years ended 30th June, 1877 and 1878, respectively.....	.....	.....	.....	.....	.....	.....	74

CANALS.

	Details of Traffic arranged Alphabetically.		Details of Traffic arranged in Classes.		Ditto under various heads.		Tolls accrued each month on each Canal.		Vessels passed through the Canals; Number, Tonnage and nationality of		Comparative Statement, showing total movement of Property, Passengers and Vessels, for four years ended 30th June, 1878.	Comparative Statement, showing Tonnage of Vessels and Goods for four years ended 30th June, 1878.
	Fiscal year ended 30th June, 1878.	Season of Navigation, 1877.	Fiscal year ended 30th June, 1878.	Season of Navigation, 1877.	Fiscal year ended 30th June, 1878.	Fiscal year ended 30th June, 1878.	Season of Navigation, 1877.	Fiscal year ended 30th June, 1878.	Season of Navigation, 1877.			
	Page.	Page.	Page.	Page.	Page.	Page.	Page.	Page.	Page.	Page.	Page.	Page.
Welland.....	82	132	168	158	114	120	164	122	168	126	128	
St. Lawrence Canals.....	86	136	108	158	114	120	164	122	166	126	128	
Burlington Bay Canal.....	90	140	109	159	115	121	165	123	167	127	129	
Ottawa Canals.....	94	144	109	159	115	121	165	123	167	127	129	
Chambly Canal.....	98	148	108	158	114	120	164	123	167	126	128	
Rideau Canal.....	104	152	109	159	115	121	165	124	168	127	129	
St. Peter's Canal.....	106	156	109	159	115	121	165	124	168	.....	.....	
Newcastle Dist. Works..	107	157	109	159	115	121	165	124	168	.....	.....	

CONTENTS.—*Continued.*  
STATISTICS (APPENDIX A.)—*Continued.*

No. of Statement.	—	Page.
<i>CANALS—Continued.</i>		
35	Quantity of each article transported during two years ended 30th June, 1878, alphabetically arranged.....	130
	Comparative Statement of Grand Total Freight passed through the undermentioned Canals during the Seasons of Navigation 1876 and 1877, with the Amount of Tolls collected on the same, including Tolls on Vessels and Passengers .....	170
36	Statement of the Number and Tonnage of all kinds of Vessels passed through the Canals during the Season of Navigation of 1877. ....	171
37	Statement showing Number and Classified Tonnage of all kinds passed through the Canals during the Season of Navigation of 1877.....	174
38	Tariff .....	175
<i>SLIDES AND BOOMS.</i>		
39	Revenue accrued on Timber and Saw-Logs under the heads of the different works through which they have passed .....	179
40	Pieces of Square Timber and Saw-Logs passed through the Government Slides and Booms on the Ottawa and its Tributaries in 1868, 1868 and 1877-78 respectively; also an Analysis of the kinds of Square Timber having so passed during the Fiscal Year.....	180
<i>CULLING TIMBER.</i>		
41	Timber Culled at Port of Quebec; description of Timber, Measurements, Rates of Office and Cullers' Fees charged, and Revenue accrued .....	181
42	As above, for Ports of Montreal, Lachine and Sorel.....	184
<i>BILL STAMPS.</i>		
43	Bill Stamps supplied to Distributors during Fiscal Year, arranged according to denomination.....	186

CONTENTS—Continued.  
EXPENDITURE (APPENDIX B.)

	Inside Service.	Excise.	Canals.	Slides and Booms.	Cullers.	Minor Expenditures.	Weights and Measures.	Gas Inspection.
	Page.	Page.	Page.	Page.	Page.	Page.	Page.	Page.
<b>SALARIES.</b>								
Paid to each Officer employed in collecting Revenue .....								
<b>SUPERANNUATION.</b>								
How much deducted from each Officer's salary.. .....	215-217	188-199	200-202	203-205	206-211	218-219	220-230	231-233
<b>CONTINGENCIES.</b>								
Authorized by Department for office rent, fuel, &c.....								
DISTRIBUTION OF SEIZURES.....								212

HYDRAULIC RENTS (APPENDIX C.)

Amount due from each Lessee, 1st July, 1877.....	} 235-251
do accrued during the year ended 30th June, 1878.....	
do of abatements authorized.....	
do paid by each Lessee during the year ended 30th June, 1878.....	
do remaining due by each lessee on 30th June, 1878.....	

---

---

COMMISSIONER'S REPORT.

---

---



# COMMISSIONER'S REPORT.

## CONTENTS.

§ 1. Comparative statement of Revenue for five years.....	xiii
2. Details of decrease .....	xiii
3. Summary statement as to excise.....	xiv
<b>SPIRITS.</b>	
§ 4. Comparison of quantity of spirits.....	xiv
5. Percentage of increase and decrease.....	xv
6. Illicit distillation.....	xv
7. Spirits in bond.....	xv
8. Comparison of averages.....	xv
9. Consumption of excisable goods per capita...	xv
<b>MALT.</b>	
§ 10. Comparison of five years as to malt.....	xvi
11. Comparison of averages.....	xvi
12. Exports .....	xvi
13. In bond.....	xvii
14. Quantity used for brewing.....	xvii
15. Net revenue from malt and malt liquor.....	xvii
<b>TOBACCO.</b>	
§ 17. Comparison of five years.....	xvii
18. Comparison of averages.....	xvii
19. In bond.....	xviii
20. Small consumption of Canadian tobacco.....	xviii
21. Comparative consumption of cigars.....	xix
<b>PETROLEUM.</b>	
§ 22. Repeal of duty and comparison in previous years....	xix
<b>MANUFACTURES IN BOND.</b>	
§ 23. Comparison for five years.....	xx

## PUBLIC WORKS.

§ 24. Decrease in revenue.....	xx
25. Summary of canal revenues.....	xxi
26. Summary of increase or decrease on Welland Canal.....	xxi
27. Transhipment of grain at Port Colborne.....	xxii
28. Statistics of season of navigation.....	xxii
29. Comparative revenue, slides and booms.....	xxii
30. Outstanding balances of hydraulic rents.....	xxii

## CULLING TIMBER.

§ 31. Outstanding balances.....	xxiii
32. Cost of Supervisor's Office less than revenue.	xxiii

## BILL STAMPS.

§ 33. Comparative revenue.....	xxiii
--------------------------------	-------

## WEIGHTS, MEASURES AND GAS.

§ 34. Expenditure and revenue—supplementary report to follow.....	xxiii
---	-------

## PREVENTION OF ADULTERATION OF FOOD.

§ 35. Amount expended—supplementary report....	xxiii
--	-------

## OUTSIDE SERVICE.

§ 36. Examination of officers.....	xxiii
37. Special class excisemen.....	xxiv
38. Inspection of staple articles.....	xxiv



## REPORT.

To the Honorable

The Minister of Inland Revenue.

SIR,—Herewith I have the honor to submit statements of the revenues collected by this Department for the Fiscal Year ended 30th June, 1878, together with the usual information as to the cost of collecting them, and statistical details respecting the sources whence these revenues were derived.

1. The following summary comparison shows the accrued revenues for the years ended 30th June, 1874-75-76-77 and 78 respectively. Comparative statement for five years.

	1874.	1875.	1876.	1877.	1878.
	\$	\$	\$	\$	\$
Excise.....	5,612,582	5,110,353	5,538,277	4,950,624	4,888,070
Public Works.....	672,120	558,699	537,026	547,377	507,132
Culling Timber.....	95,913	89,597	71,953	67,128	56,489
Bill Stamps.....	209,233	244,592	226,960	208,968	200,614
Weights and Measures, Gas and Law Stamps.....			2,116	55,057	33,405
Total.....	6,589,848	6,003,241	6,376,332	5,829,154	5,685,710

2. By the above Statement it will be seen that the accrued revenue during the year just closed was \$5,685,710, as against \$5,829,154 for the year 1876-77, being a decrease of \$143,444, or nearly 2½ per cent. Details of decrease.

The decrease has arisen as follows:—

Upon Excise.....	\$62,554
“ Public Works.....	40,245
“ Culling Timber.....	10,639
“ Bill Stamps.....	8,354
“ Weights and Measures, Gas and Law Stamps.....	21,652
	\$143,444

The decrease has therefore been general over all branches of Inland Revenue.

Summary statement as to Excise.

3. The following Statement will show the details of Excise Revenue accrued during the past year, compared with the four years ended 30th June, 1874, 1875, 1876 and 1877 respectively :

Articles.	1	2	3	4	5
	1874.	1875.	1876.	1877.	1878.
	\$	\$	\$	\$	\$
Spirits .....	3,503,365	2,977,221	3,009,893	2,650,852	2,708,586
Malt Liquor.....	25,570	29,976	14,188	7,475	6,636
Malt.....	354,765	351,386	327,709	389,257	538,592
Tobacco.....	1,401,271	1,434,778	1,775,450	1,630,390	1,581,502
Petroleum.....	274,439	268,553	285,553	235,329	6,469
Manufactures in Bond.....	40,006	37,176	27,834	30,054	36,894
Seizures.....	6,289	5,220	1,675	1,597	3,934
Other Receipts .....	6,877	6,043	5,975	5,670	5,458
<b>Total.....</b>	<b>5,612,582</b>	<b>5,110,353</b>	<b>5,538,277</b>	<b>4,950,624</b>	<b>4,888,070</b>

SPIRITS.

Comparison of quantity of spirits.

4. The following tables of quantities are given for comparison as leading to a more just conception of the subject than a comparison of the revenues collected under rates of duty which have been frequently changed :

1	2	3	4	5	6	7	8	9
Fiscal Year.	In Warehouse at commencement of period.	Manufactured during the year.	Taken for Consumption.	Exported.	Used in Bonded Factories.	Otherwise accounted for.	In Warehouse at end of period.	Memo. of Revenue accrued, including Licenses Fees
	Pf. Gals.	Pf. Gals.	Pf. Gals.	Pf. Gals.	Pf. Gals.	Pf. Gals.	Pf. Gals.	\$
1873-74...	1,351,502	4,528,118	4,566,508	164,730	234,242	937	913,203	3,503,365
1874-75...	913,203	4,682,923	3,303,298	168,709	250,764	26	1,873,329	2,977,221
1875-76...	1,873,328	3,111,346	3,441,126	83,037	182,260	1,466	1,276,786	3,099,893
1876-77...	1,276,786	3,546,878	2,942,337	173,470	193,928	208	1,513,721	2,650,852
<b>Annual Average of four years ended 30th June</b>	<b>5,414,819</b>	<b>15,869,265</b>	<b>14,253,268</b>	<b>589,946</b>	<b>861,194</b>	<b>2,637</b>	<b>5,577,039</b>	<b>12,231,331</b>
1877....	1,353,705	3,967,316	3,563,217	147,486	215,218	659	1,394,259	3,057,833
1877-78...	1,513,721	3,530,085	3,007,870	164,360	224,746	20,318	1,626,512	2,708,586

5. From the above it will be seen that the quantity of spirits taken for consumption during the past fiscal year is greater by 65,533 gallons, or 12  $\frac{1}{2}$  per cent. than the quantity taken 1876-77, which was less than the quantity taken in either of the four previous years. The quantity taken in 1877-78 is less than the average of the four preceding years by 555,447 gallons, equal to 15  $\frac{6}{10}$  per cent. Per centage of increase and decrease.

The average quantity of spirits taken for consumption during the two years 1876-77 and 1877-78, fall below the average of the preceding four years by 785,214, but there was an increase in the quantity taken for consumption during the fiscal year over the previous year.

6. With reference to illicit distillation, I submit that the number of seizures of illicit stills is a justification of the assumption that this traffic has been a serious cause of loss to the revenue. Previous to the 1st July, 1875, the total number of illicit stills seized was 189; during the fiscal year ended 30th June, 1876, the number seized was twenty. During the past fiscal year we seized forty-seven. Illicit distillation.

It is of great importance to the revenue that these frauds should be suppressed, and the Department has substantial reasons for believing that only a rigid enforcement of the law will have the desired effect.

The statement in Appendix C shows the number of illicit stills seized during the past fiscal year, the names of the parties from whom the seizures were made, and the nature of the punishment inflicted in the cases in which a conviction was obtained.

7. The quantity of spirits held in bond at the commencement of the past fiscal year was 112,791 proof gallons less than the quantity held at its close, the quantities being respectively 1,513,721 and 1,626,512 gallons, and the last mentioned quantity is greater by 232,253 gallons than the average quantity held at the close of each of the preceding four years. Spirits in bond.

8. The quantity of spirits exported in 1877-78 was 164,360 proof gallons, an increase over the average quantity—147,486 gallons—exported in each of the preceding four years of 16,874 gallons. There has been a small increase of 30,818 gallons in the quantity taken into bonded manufactories over the quantity taken in the previous year. Comparison of averages.

9. Two statements are given in Appendices A. and B., showing the consumption of goods subject to Excise (including similar goods Consumption of excisable

goods per capita.

imported and subject to Customs duties) per head of the estimated population in the several Provinces and in the Dominion, during a series of years, being a continuation of similar statistics in former Reports.

#### MALT AND MALT LIQUOR.

Comparison of five years ending 1870 malt.

10. The following Statement shows the transactions in malt during the year ended 30th June, 1878, and four preceding years:

Fiscal Year.	1	2	3	4	5	6	7
	In Warehouse at commencement of period.	Manufactured during the Year.	Taken for Consumption.	Exported.	Otherwise accounted for.	In Warehouse at end of period.	Memo. of Revenue accrued thereon, including License Fees.
	Lbs.	Lbs.	Lbs.	Lbs.	Lbs.	Lbs.	\$
1873-74.....	12,862,041	31,802,989	33,369,016	6,233,367	412,292	4,650,355	354,765
1874-75.....	4,650,355	41,039,986	33,016,082	4,677,960	33,360	7,962,939	351,386
1875-76.....	7,962,939	51,876,385	30,693,447	10,123,378	7,190	19,015,309	327,709
1876-77.....	19,015,309	39,235,298	28,878,551	11,577,814	2,910	17,791,332	389,257
	44,490,644	163,954,658	125,957,096	32,612,519	455,752	49,419,935	1,423,117
Annual average of four years ended 30th June, 1877.	11,122,661	40,968,664	31,489,274	8,153,130	113,938	12,354,984	355,779
1876-77.....	17,791,332	48,229,293	26,534,587	19,151,181	.....	20,334,857	538,592

Comparison of averages.

11. The above statement shows that the quantity of malt manufactured during the past fiscal year is greater than the average of the four previous years, by 7,240,629 lbs., and more than the quantity manufactured in 1876-77 by 8,993,995 lbs., while the quantity taken for consumption was 4,954,687 lbs. below the average, and 2,343,964 lbs. less than was taken in 1876-77. These figures show that there has been a steady decline in the quantity of malt used during the past five years.

Exports.

12. The quantity of malt exported last year is 10,998,051 lbs. in excess of the average exports of the preceding four years, and 7,573,367 lbs. in excess of the exports of 1876-77.

13. The quantity remaining in bond on the 30th June, 1878, was In bond. more than the quantity in bond at the commencement of the year by 2,543, 2

14. Of the quantity of malt used during the fiscal year, 25,180,329 Quantity used for brewing. lbs., were used in the manufacture of malt liquor, and 2,868,260 lbs. in distilling. It is somewhat remarkable that notwithstanding the increased duty on malt, the use of glucose, sugar, and syrup as a substitute for malt has been almost entirely discontinued and yet the relative duty on beer made from such articles in proportion to the duty on malt has only been increased one-quarter of one per cent.

15. There has been refunded under the Act 31 Vic., Cap. 8, \$11,506 Net revenue from malt as a drawback of malt duty on malt contained in 218,870 gallons of beer exported, and \$490 on the malt used in the manufacture of 10,137 gallons of beer consumed by Her Majesty's troops and navy.

16. After deducting these items it appears that the net revenue And malt liquor. from malt used by brewers is \$491,610. Add to this \$54,066, the net amount collected on malt used in distilling (after deducting \$3,299 refunded as a drawback on malt contained in spirits exported) and \$14,525 for maltsters' and brewers' license fees, and we have a total of \$560,201 as the product of the excise on malt and malt liquors. The amount collected from the same source in 1876-77 was \$431,548, the average during the preceding four years having been \$360,757 per annum.

#### TOBACCO.

17. The transactions in manufactured tobacco of all descriptions stated in pounds, during the five years ended 30th June, 1878, are Comparison of five years. shewn in the following Statement:—

Year ended 30th June.	1	2	3	4	5	6
	In Warehouse, 1st July.	Manufactured during the year.	Taken for Consumption.	Exported.	Otherwise accounted for.	In Warehouse 30th June.
	Lbs.	Lbs.	Lbs.	Lbs.	Lbs.	Lbs.
1873-74.....	1,490,547	8,805,276	8,484,193	483,357	12,989	1,315,284
1874-75.....	1,315,284	9,567,152	6,575,443	359,809	16,690	3,930,494
1875-76.....	3,930,494	7,168,446	8,353,955	630,492	5,802	2,108,691
1876-77.....	2,108,691	8,991,610	7,720,633	610,996	22,927	2,745,745
	8,845,016	34,532,484	31,134,224	2,084,654	58,408	10,100,214
Annual average of four years ended 30th June, 1877....	2,211,254	8,633,121	7,783,556	521,163	14,602	2,525,052
1877-78.....	2,745,745	7,940,192	7,475,622	401,221	170,357	2,638,737

To the above quantities are to be added the quantity of leaf taken for consumption in a raw state, during the same years, which will give the following additional columns:—

	7		8	9
	Raw Leaf taken for Consumption.		Total Tobacco taken for Consumption.	Duty collected thereon, including License Fees
	Canadian.	Foreign.		
	Lbs.	Lbs.	Lbs.	\$
1873-74.....	113,797	277,634	3,875,624	1,401,271
1874-75.....	65,529	228,172	6,869,144	1,434,778
1875-76.....	11,932	158,272	8,524,159	1,775,450
1876-77.....	8,630	87,203	7,816,466	1,630,390
	199,888	751,281	32,085,393	6,241,889
Annual average of four years ended 30th June, 1877.....	49,972	187,820	8,021,348	1,560,472
1877-78 .....	3,202	42,507	7,521,331	1,581,503

Comparison of averages.

18. From the above it appears that the production of manufactured tobacco, during the past fiscal year, has been 1,051,418 lbs. less than the quantity manufactured in 1876-77, and less than the average annual production of the four preceding years by 692,929 lbs., but the quantity taken for consumption during the year ending 30th June, 1878, is less than the quantity taken during the preceding year by 295,135 lbs., and less than the average taken during the four preceding years by 500,017 lbs.

In bond.

19. The stocks of manufactured tobacco in warehouse, at the close of the past fiscal year are less than the stocks in warehouse at its commencement by 107,008 lbs., and they exceed the average of the preceding four years by 113,681.

Small consumption of Canadian tobacco.

20. The additional column (No. 7) respecting raw leaf presents an unsatisfactory statement in relation to that article. The quantity of Canadian leaf taken for consumption, as such, was at the maximum in 1873-74, when it amounted to 113,797 lbs. Since then there has been an annual decline. Last year, it amounted only to the nominal quantity of 3,202 lbs.

In view of the large number of seizures of such tobacco illegally offered for sale, there is reason to fear the existence of a widespread determination on the part of the cultivators to evade the duty.

## CIGARS.

21. In continuation of the tabulated Statements submitted last year the following is now submitted:—

Comparative consumption of cigars.

Year.	Total Consumption.	Customs Duty.	Excise Duty.
	Lbs.		
1873.....	674,609	45 cts. per lb.	30 cts. per lb.
1874.....	676,429	45 do	40 do
1875.....	488,273	70 do	40 do
1876.....	507,866	70 do	40 do
1877.....	417,703	50 do and 20 per ct. ad val.	40 do
1878.....	496,860	50 cts. per lb. and 20 per ct. ad val.	40 do

The total consumption in 1878 shows, therefore, an increase of about 18·95 per cent., as compared with 1877, of which 3·28 per cent. is on imported cigars, and 15·67 per cent. on cigars of Canadian manufacture.

Of the whole quantity taken for consumption the proportions have been :—

1873 imported.....	72·09	per cent.
Canadian.....	27·91	do
1874 imported... ..	64·64	do
Canadian.....	35·36	do
1875 imported.....	36·00	do
Canadian.....	64·00	do
1876 imported.....	38·48	do
Canadian.....	61·52	do
1877 imported.....	28·85	do
Canadian.....	76·15	do
1878 imported.....	27·00	do
Canadian.....	73·00	do

## PETROLEUM.

22. The total repeal of the duty on Petroleum prevents any reliable statement of the transactions in that article being offered. The following table, is however repeated for reference but the line for 1878, only refers to the quantity inspected and the fees collected thereon as to which it may be observed that in some cases, fees are twice collected on the same article as happens

Repeal of duty and comparison of previous years.

when petroleum is inspected in London, removed to Montreal in *Tank Cars*, and reinspected on being put into barrels:—

1	2	3	4	5	6	7	8	9
Fiscal year	In Warehouse at commencement of period.	Manufactured during the year.	Taken for consumption.	Exported.	Allowed for waste, &c.	Lighthouses Free.	In Warehouse at end of period.	Memo. of revenue accrued, including License Fees.
	Galls.	Galls.	Galls.	Galls.	Galls.	Galls.	Galls.	\$
1873-74	613,998	5,626,902	4,335,146	888,156	207,262	58,147	752,189	274,439
1874-75	752,188	4,009,663	4,279,496	1,140	325,670	21,687	133,858	268,552
1875-76	133,858	4,838,215	4,550,187	47,246	76,634	.....	298,006	285,553
1876-77	298,006	7,913,754	3,656,366	3,923,720	622,463	.....	9,213	235,329
	1,798,050	22,388,534	16,821,195	4,860,262	1,232,029	79,834	1,193,266	1,063,873
Annual average of four years ended 30th June, 1877.....	449,512	5,597,133	4,205,299	1,215,065	308,007	19,958	298,316	265,968
1877-78	Number of packages inspected, 130,646.							6,469

#### MANUFACTURES IN BOND.

Comparison of five years.

23. The revenue derived from duties levied on goods manufactured in bond—chiefly Vinegar and Methylated Spirits—during a series of five years, has been as follows:—

1873-74 .....	\$40,006
1874-75 .....	37,176
1875-76 .....	27,834
1876-77 .....	30,053
1877-78 .....	36,894

and call for no special comment.

#### PUBLIC WORKS.

Decrease in revenue.

24. During the past fiscal year there has been a decrease in the revenue from Canals; a decided decrease in the revenue from Slides and Booms and an increase from minor public works, while the col-



lections from hydraulic rents have been considerably diminished. The following Comparative Statement gives the exact figures :—

	1876-77.	1877-78.	Increase per cent.	Decrease per cent.
	\$	\$		
Canal Tolls, &c.....	373,954	361,052	.....	3.45
Slides and Booms.....	115,862	83,291	.....	28.11
Hydraulic and other Rents .....	50,017	32,219	.....	35.58
Minor Public Works .....	7,545	30,569	305.15	
	547,378	507,131		

### Canals.

26. The following Statement gives a summary of the Canal revenue from the several Canals, shewing the increase and decrease in each case :—

Summary of  
canal reve-  
nue.

Canals.	1876-77.	1877-78.	Increase per cent.	Decrease per cent.
	\$	\$		
Welland.....	218,779	217,519	.....	.58
St. Lawrence.....	81,370	77,749	.....	4.45
Chambly .....	20,727	17,082	.....	17.58
Ottawa.....	43,362	39,491	.....	8.92
Rideau.....	5,259	5,109	.....	2.85
Burlington.....	3,793	3,827	.89	
St. Peter's.....				
Newcastle District Works.....	664	275	.....	58.58
	373,954	361,052		

26. The following figures indicate the several classes of articles upon which the revenue has decreased or increased on the Welland Canal :—

Summary of  
increase or  
decrease in  
Welland  
Canal:

TOLLS ON	1876-77	1877-78.	Decrease per cent.	Increase per cent.
	\$	\$		
Vessels.....	26,328	23,937	10.00	.....
Passengers .....	407	439	.....	7.86
Produce of Forest.....	35,503	25,828	27.25	.....
do Animals.....	271	227	16.23	.....
do Agriculture .....	77,620	85,864	.....	10.62
Manufactures and Merchandises .....	77,974	79,877	.....	2.44
Total Tolls.....	218,103	216,172	.....	.....
Fines and Damages.....	676	1,347	.....	.....
Total.....	218,779	217,519	.58	.....

Transhipment of grain at Port Colborne.

27. The quantity of grain transhipped at Port Colborne in 1878 and three previous years is given below. The total number of grain laden vessels lightened at that port in 1878 was 94 against 53 in the previous year. The number unladen without entering the Canal was 47 as against 49 in 1877. The quantity of grain lightened was as follows :—

	1875.	1876.	1877.	1878.
	Centals.	Centals.	Centals.	Centals.
Wheat.....	167,760	94,838	37,440	48,595
Corn.....	129,460	71,680	75,580	147,879
Barley.....			5,600	

The quantity of grain discharged in the port from vessels which did not enter the Canal was as follows :—

	1875.	1876.	1877.	1878.
	Centals.	Centals.	Centals.	Centals.
Wheat.....	653,820	389,000	337,040	163,330
Corn.....	145,800	247,040	422,800	414,452
Barley.....	9,440			

*Canal Statistics for the Season of Navigation.*

Statistics for season of navigation to follow.

28. Following the plan adopted in previous Reports, the statistics for the season of navigation, 1878, will be given separately, and will be accompanied by the usual comparative statements.

*Slides and Booms.*

Comparison of revenue.

29. The revenue accrued from these works in 1877-78 amounted to \$83,243. In 1876-77 it amounted to \$111,085, shewing a decrease of \$27,842. The outstanding balances now amount to \$206,119, a decrease of \$15,121. The greater portion of these balances consist of disputed claims, the settlement of which has been delayed from time to time.

*Hydraulic Rents and Minor Public Works.*

Outstanding balances.

30. The outstanding balances due on account of Hydraulic Rents have been decreased during the past year from \$218,735 to \$200,976. The balances due on Minor Public Works have been increased by \$21,933. This large increase is consequent upon the conditions relating to the sale of the old Post Office buildings at Montreal.

The revenue accrued on all these works, was \$62,788, of which \$51,065 has been collected, and \$6,902 remitted by authority.

CULLING TIMBER.

31. The fees accrued from culling timber in 1877-78 amounted to \$56,489, while the amount collected was \$53,521, thereby increasing the outstanding balances from \$26,813 to \$29,781. A considerable portion of this balance will probably be lost, but such of the items as are considered good have been placed in the hands of the agents of the Minister of Justice for collection.

Outstanding balances.

32. The cost of the Cullers' office for 1877-78 was \$49,940, being \$6,549 less than the accrued revenue for that year.

Cost of cullers office less than revenue.

BILL STAMPS.

33. The revenue from this source in 1877-78 was \$200,614 as compared with \$208,968 in the previous year. There has, therefore, been a further decline of \$8,354. The decrease last year was \$17,991.

Comparison of revenue.

WEIGHTS, MEASURES AND GAS :

35. An account of the expenditure and receipts in connection with this service, will be found at pp. 36 to 44 and pp. 220 to 234 of the appendices. There has been a large falling off in the revenue from this service in consequence of the amendments to the Act by which the fees for a second or any subsequent verification, are reduced by 75 per cent, as also by a readjustment of the tariff by which the first fees were reduced. The amount accrued in 1877-78 was \$32,101 as against \$54,549 in the previous year. A special report in relation to this service has been prepared, which together with the statistical details of the work done, will form a supplement to this Report.

Expenditure on revenue. Supplementary report to follow.

PREVENTION OF ADULTERATION OF FOOD.

36. During the past fiscal year the expenditure under this Act was \$5,947. A full account of the work done, with the Reports of the Analysts, will be found in a Supplementary Report.

Amount expended. Supplementary report to follow.

OUTSIDE SERVICE.

37. During the fiscal year examinations of outside officers, were held in the months of July, August and September, at the principal places with the following results:—

Examination of officers.

First Class.....	8
Second Class.....	19
Third Class.....	15

Special class  
excisemen.

37. It will be observed that there were no examinations for *Special Class Excisemen*. The total number of this grade is determined by the Order in Council of 10th July, 1873, and as that number has been appointed it was not considered expedient, in view of the decreased number of distilleries, to offer any opportunities for passing into that class until vacancies occur which will require to be filled.

Inspection  
of staple  
articles.

38. Appendices **D. E. F. G.** comprise returns in relation to the inspection of Staple Articles.

All of which is respectively submitted,

A. BRUNEL,  
*Commissioner.*

December 24, 1878.

APPENDIX A

TABLE shewing the Annual Consumption per head of the undermentioned Articles paying Excise or Customs Duties in the respective Provinces and in the Dominion since Confederation.

YEARS.	ONTARIO.					QUEBEC.					NOVA SCOTIA.					NEW BRUNSWICK.					PRINCE EDWARD ISLAND.					MANITOBA.					BRITISH COLUMBIA.					DOMINION.									
	Spirits.	Beer.	Wine.	Tobacco.	Petroleum.	Spirits.	Beer.	Wine.	Tobacco.	Petroleum.	Spirits.	Beer.	Wine.	Tobacco.	Petroleum.	Spirits.	Beer.	Wine.	Tobacco.	Petroleum.	Spirits.	Beer.	Wine.	Tobacco.	Petroleum.	Spirits.	Beer.	Wine.	Tobacco.	Petroleum.	Spirits.	Beer.	Wine.	Tobacco.	Petroleum.	Spirits.	Beer.	Wine.	Tobacco.	Petroleum.					
	Galls.	Galls.	Galls.	Lbs.	Galls.	Galls.	Galls.	Galls.	Lbs.	Galls.	Galls.	Galls.	Galls.	Lbs.	Galls.	Galls.	Galls.	Galls.	Lbs.	Galls.	Galls.	Galls.	Lbs.	Galls.	Galls.	Galls.	Lbs.	Galls.	Galls.	Galls.	Lbs.	Galls.	Galls.	Galls.	Lbs.	Galls.	Galls.	Galls.	Lbs.	Galls.					
1861.....																																									1.621	1.973	.098	1.815	.....
1868.....	1.534	2.156		1.596	.094	1.278	2.319	.308	1.804	.073	.909	.450	.193	.143	.480	1.050	.519	.209	2.661	.480																					1.604	2.269	.174	1.738	.193
1869.....	1.093	2.172	.034	1.569	.836	.801	2.120	.263	1.966	.054	.742	.825	.075	1.895	.347	.867	.995	.071	1.734	.443																					1.124	2.290	.115	1.755	.575
1870.....	1.298	2.072	.055	1.831	1.537	1.247	1.988	.351	2.692	.279	.692	.859	.081	2.128	.471	1.074	.634	.100	2.425	.712																					1.434	2.163	.195	2.190	1.103
1871.....	1.420	3.578	.057	1.626	2.388	1.377	2.065	.851	2.588	.189	.759	1.081	.118	1.830	.581	1.214	.613	.128	2.536	1.050																					1.578	2.490	.259	2.052	1.591
1872.....	1.539	3.005	.082	2.179	1.690	1.540	2.172	.443	2.879	.501	.827	.986	.133	2.473	.564	1.254	.751	.128	2.557	.747																					1.723	2.774	.257	2.481	1.302
1873.....	1.444	3.522	.094	1.681	2.032	1.541	2.468	.387	2.524	.193	.839	.954	.100	1.612	.629	1.358	.837	.151	2.181	.860																					1.682	3.188	.238	1.999	1.387
1874.....	1.923	3.379	.103	2.079	2.292	1.614	2.273	.478	3.414	.361	.928	.916	.133	2.125	.653	1.362	.708	.201	2.472	.968																					1.994	3.012	.288	2.566	1.618
1875.....	1.256	3.696	.055	1.723	2.244	1.215	2.322	.259	2.307	.318	.689	.811	.062	1.639	.755	1.057	.639	.066	1.794	.950																					1.394	3.191	.149	1.915	1.589
1876.....	1.369	3.383	.065	2.032	2.325	1.262	2.212	.387	2.744	.476	.653	.996	.077	2.226	.815	.955	.636	.087	2.405	.968	.849	.932	.098	1.706	.062	.726	1.077	.205	2.582	.185	1.288	3.178	.430	2.936	.598	1.204	2.454	.177	2.316	1.380					
1877.....	1.019	3.109	.028	1.971	1.842	1.128	2.108	.208	2.086	.288	.659	.794	.064	1.876	.660	.742	.623	.064	2.609	1.092	.748	.875	.045	1.588	.717	.294	.627	.012	2.275	.128	1.089	3.196	.390	2.723	.754	.975	2.322	.096	2.051	1.103					
1878.....	1.002	3.013	.021	1.879	.....	1.126	1.872	.223	1.997	.....	.492	.828	.050	1.754	.....	.866	.782	.056	2.461	.....	.416	.651	.025	1.594	.....	.533	1.468	.053	3.676	.....	1.397	3.422	.454	3.118	.....	.960	2.169	.096	1.976	.....					
Average.....	1.354	2.917	.054	1.833	1.728	1.284	2.174	.332	2.455	.273	.744	.864	.099	1.790	.595	1.074	.703	.114	2.349	.827	.671	.819	.056	1.629	.689	.518	1.057	.090	2.844	.156	1.258	3.265	.404	2.926	.676	1.425	2.575	.186	2.094	1.172					

APPENDIX B.

TABLE shewing the Revenue per head derived annually since Confederation from the undermentioned Articles paying Excise or Customs Duties in the respective Provinces and in the Dominion.

YEARS.	ONTARIO.					QUEBEC.					NOVA SCOTIA.					NEW BRUNSWICK.					PRINCE EDWARD ISLAND.					MANITOBA.					BRITISH COLUMBIA.					DOMINION.				
	Spirits.	Beer.	Wine.	Tobacco.	Petroleum.	Spirits.	Beer.	Wine.	Tobacco.	Petroleum.	Spirits.	Beer.	Wine.	Tobacco.	Petroleum.	Spirits.	Beer.	Wine.	Tobacco.	Petroleum.	Spirits.	Beer.	Wine.	Tobacco.	Petroleum.	Spirits.	Beer.	Wine.	Tobacco.	Petroleum.	Spirits.	Beer.	Wine.	Tobacco.	Petroleum.					
	\$	\$	\$	\$	\$	\$	\$	\$	\$	\$	\$	\$	\$	\$	\$	\$	\$	\$	\$	\$	\$	\$	\$	\$	\$	\$	\$	\$	\$	\$	\$	\$	\$	\$	\$					
1861.....																																								
1868.....	1.109	.114		.163	.006	1.001	.111	.094	.218	.008	.894	.033	.045	.112	.048	.870	.030	.068	.157	.039																1.028	.097	.043	.176	.014
1869.....	.841	.110	.014	.169	.061	.668	.082	.074	.217	.007	.706	.057	.030	.200	.045	.786	.049	.027	.216	.068																.761	.092	.037	.193	.041
1870.....	.997	.101	.019	.209	.105	1.016	.078	.099	.326	.020	.652	.055	.034	.244	.043	.957	.038	.035	.287	.057																.962	.085	.049	.259	.061
1871.....	1.090	.122	.021	.265	.130	1.127	.082	.106	.431	.015	.706	.066	.050	.290	.045	1.079	.039	.048	.405	.071																1.059	.095	.056	.336	.077
1872.....	1.182	.135	.030	.368	.110	1.259	.101	.134	.510	.035	.765	.057	.054	.386	.046	1.128	.047	.050	.416	.058																1.160	.106	.070	.423	.073
1873.....	1.115	.155	.033	.286	.135	1.258	.107	.122	.471	.019	.780	.080	.042	.251	.075	1.233	.055	.057	.347	.084																1.135	.120	.086	.350	.084
1874.....	1.507	.154	.042	.351	.154	1.349	.097	.162	.615	.032	.887	.059	.056	.337	.079	1.255	.053	.075	.404	.101																1.363	.119	.086	.442	.103
1875.....	1.150	.140	.033	.379	.150	1.200	.110	.134	.529	.020	.788	.057	.044	.333	.083	1.158	.047	.044	.389	.104																1.127	.114	.069	.428	.098
1876.....	1.258	.132	.031	.443	.153	1.269	.081	.153	.623	.039	.746	.049	.038	.455	.095	1.055	.046	.043	.406	.111	.076	.046	.052	.344	.115	.776	.037	.108	.684	.033	1.545	.254	.184	1.003	.138	1.182	.098	.075	.513	.105
1877.....	.927	.142	.021	.425	.126	1.101	.092	.110	.463	.023	.750	.072	.044	.384	.066	.812	.039	.043	.540	.104	.851	.052	.033	.319	.100	.294	.036	.014	.557	.021	1.289	.230	.283	.887	.109	.949	.109	.057	.446	.084
1878.....	.912	.202	.012	.410		1.100	.119	.112	.450		.552	.079	.036	.365		.955	.074	.033	.537		.469	.047	.002	.319		.534	.096	.039	.914		1.647	.231	.325	1.057		.927	.147	.052	.439	
Average.....	1.099	.137	.023	.315	.113	1.122	.096	.118	.441	.027	.748	.059	.043	.305	.082	1.016	.047	.047	.373	.079	.765	.048	.029	.327	.107	.535	.056	.054	.718	.027	1.494	.238	.264	.982	.123	1.059	.107	.060	.384	.074

APPENDIX C

STATEMENT showing the number of Illicit Stills seized during the Fiscal Year ended 30th June, 1878, with names of Owners, Schedule Value, &c.

Date.	Division.	Name of Owner.	Schedule Value.	Remarks.
December 1, 1877	Belleville	Archibald McGregor	\$ 267 50	
April 6, 1878	Cobourg	Party unknown	10 00	
do	do	W. L. Whitelaw	5 00	
October 17, 1877	Collingwood	Elisba Hambrury	2 00	
May 6, 1878	do	Person unknown	30 00	
January 7, 1878	Goderich	Chas. Hudson and H. M. Mine	68 00	
February 7, 1878	do	Geo. Campbell	22 00	Not prosented.
April 13, 1878	do	Jas. Lockhart	56 50	Convicted and fined \$500 or 6 months imprisonment.
do	do	Angus Smith	38 00	Acquitted.
May 10, 1878	do	Wm. Owens	60 00	
March 15, 1878	Kingston	Owen McGuin	13 20	Acquitted.
do	do	John Cockburn	10 20	
do	do	Jas. Jamieson	22 25	
do	do	John Lampier	.....	No value.
do	do	Reynolds Bros.	10 00	
do	do	John Ormond	110 00	Convicted and fined \$500, but did not pay.
August 2, 1877	Ottawa	.....	.....	.....
September 25, 1877	do	Patrick O'Bryn	15 00	
October 5, 1877	do	Herc Peltier	10 00	
do	do	Chas. Christian	45 00	
February 22, 1878	do	Sylvain St. Jean	15 00	
March 16, 1878	Paris	T. G. Watson	5 00	
do	do	Robert Murray	10 00	
December 11, 1877	Perth	Geo. O'Brien	38 00	
do	do	Duncan McNabb	10 00	
do	do	John McGregor	7 00	
do	do	John W. Chittick	17 00	
do	do	John Black	31 00	
do	do	Jas. Burditt	40 00	
May 31, 1878	Sarnia	A. O. Andrews & Co.	\$ 900	
do	do	.....	.....	.....
July 14, 1877	Toronto	.....	.....	.....
November 27, 1877	do	John Still	1,385 00	

STATEMENT showing the Number of ILLICIT SKILLS seized during the Fiscal Year ended 30th June, 1878, &c.—Continued.

Date.	Division.	Name of Owner.	Schedule Value.	Remarks.
December 19, 1877	Toronto	Geo. Armstrong.....	\$ 129 50	
March 15, 1878	do	Switzer.....	40 00	
do 21, 1878	do	David Hill.....	6 00	
do 21, 1878	do	Jas. Aikens.....	6 00	
May 31, 1878	do	John Landies.....	52 50	
August 28, 1877	Montreal	R. A. McDonald.....	15 00	
December 21, 1877	do	Damase Durand.....	162 25	
January 31, 1878	do	Léon Malloux.....	30 20	
November 8, 1877	Terrebonne	John Cleland.....	40 00	Fined \$500 and 6 months' hard labor.
October 16, 1877	Halifax	Isaac Matatal.....	4 00	
January 19, 1878	Winnipeg	McGowan.....	276 00	
April 24, 1878	do	John McHardy.....	148 00	

A. BRUNEL,  
*Commissioner.*

INLAND REVENUE DEPARTMENT,  
OTTAWA, 24th December, 1878.



## INSPECTION OF STAPLE ARTICLES.

## APPENDIX D.

BOARDS OF EXAMINERS constituted during the Fiscal Year ended 30th June, 1878.

Place.	Article.	Examiners.
Perth and Huron .....	Fish and Fish Oil.....	Hugh Bain. James Clark. Chas. Howland. Daniel Strachan. Daniel Ferguson.
do .....	Leather and Raw Hides .....	George A. Hilton. A. Smith. Edward Collins. Joseph Norfolk.
Brant and Haldimand.....	do do .....	Hugh Finlayson. John Wallace. John Douglas. John Grant. Jos. Wallace.
Bruce and Grey .....	Fish and Fish Oil.....	James Muir. Thos. McGaw. Alex. Gordon. John Dobson. Donald McAuley.
Northumberland and Hastings..	Leather and Raw Hides.....	Davy & Edwards. Phippen & Graham. Richard Osborne. D. W. Mullett. Jno. Welsh.

## APPENDIX

LIST OF PERSONS to whom Certificates have been granted by the respective Boards of Examiners, under Inspection Act of 1873 and 1874, during the Fiscal Year ended 30th June, 1878.

Certificate granted to	Inspector or Deputy Inspector.	Article.	Division.	Place.
Richard Young.....	Inspector.....	Fish and Fish Oil	Toronto.....	Toronto.
James Brown.....	do.....	Leather, &c.....	Hamilton.....	Hamilton.
William Jukson.....	Deputy Inspector.....	do.....	do.....	—
W. H. Ryan.....	do.....	Fish and Fish Oil	Halifax.....	Lower Prospect.
George Hertling.....	do.....	do.....	do.....	Bay of Islands.
John Quan.....	do.....	do.....	do.....	Portuguese Cove.
A. Bracket.....	do.....	do.....	do.....	Herring Coye.
Maxwell Grey.....	do.....	Leather, &c.....	Essex, Kent and Lambton.....	—
John Meyers.....	Inspector.....	do.....	Perth and Huron.....	Stratford.
James Wilson.....	Deputy Inspector.....	do.....	do.....	—
John Leary.....	do.....	do.....	do.....	—
Neil McAuley.....	Inspector.....	Fish and Fish Oil	Bruce and Grey.....	Southampton.
Norman McLeod.....	Deputy Inspector.....	do.....	do.....	—
Robert Bowand.....	do.....	do.....	do.....	—
Angus Falconer.....	do.....	do.....	do.....	—
John Hodge.....	Inspector.....	Leather, &c.....	Northumberland and Hastings.....	Belleville.
John Mullett.....	Deputy Inspector.....	do.....	do.....	—
R. C. Cronk.....	do.....	do.....	do.....	—
Jesse Fennell.....	do.....	do.....	do.....	Trenton.
Wm. Gardner.....	Inspector.....	Beef and Pork ...	Lanark and Renfrew	Dalhousie.
Alex. Murcheson.....	Deputy Inspector.....	Fish and Fish Oil	Richmond, N.S.....	L'Ardoise.
John Corbett.....	do.....	do.....	Antigonish.....	Har. au Bouche.

APPENDIX *f*.

List of Inspectors and Deputy Inspectors of Staple Articles who have obtained Certificates and executed Bonds during the Fiscal Year ending 30th June, 1878, and who were therefore empowered to act.

Division.	Place.	Article.	Inspector.	Deputy Inspector.
Toronto.....	Toronto.....	Fish and Fish Oil.....	Richard Young..	
London.....	London.....	Leather and Raw Hides	James Oliver.....	
Halifax.....	Ketch Harbor .....	Fish and Fish Oil .....		Wm. Martin.
do .....	Twins Bay .....	do .....		Jas. M. Slaughterwhite.
do .....	Upper Prospect ...	do .....		Michael Meehan.
do .....	do .....	do .....		Edward Walsh.
do .....	Halifax .....	do .....		Thomas Mulcahy.
do .....	Ship Harbor .....	do .....		Jason Chapman.
do .....	Little Harbor .....	do .....		John Laybold.
do .....	Tangier .....	do .....		Michael Davison.
do .....	do .....	do .....		John Myers.
do .....	Sambro .....	do .....		Enos. Smith.
do .....	Upper Prospect ...	do .....		John Hearn.
do .....	Beaver Harbor .....	do .....		Angus Cameron.
do .....	Herring Cove .....	do .....		Arch. Danach.
do .....	West Dover .....	do .....		Jas. Fader.
do .....	Dover.....	do .....		Robert Connors.
do .....	Ketch Harbor .....	do .....		George Fleming.
do .....	do .....	do .....		John Fleming.
do .....	Dover Island.....	do .....		Joseph Murphy.
do .....	Upper Prospect... ..	do .....		Michael Power.
do .....	do .....	do .....		Ed. L. Saul.
do .....	Ferguson's Cove..	do .....		John Brooks.
do .....	Lower Prospect... ..	do .....		W. H. Ryan.
do .....	Bay of Island .....	do .....		George Hertling.
do .....	Portuguese Cove..	do .....		John Quan.
do .....	Herring Cove .....	do .....		A. Bracket.
Perth and Huron... ..	Stratford.....	Leather and Raw Hides	John Meyers.....	
Ontario and Dur-	Port Hope.....	Wheat and other Grain .....		Jeremiah Long.
ham .....	Belleville .....	Leather and Raw Hides	John Hodge.....	
Northumberland &	Trenton .....	do .....		Jesse Fennell.
Hastings .....	Colborne .....	Beef and Pork.....	W. Gardner .....	
do .....				
Lennox & Renfrew.				
Guysborough (St.				
Mary's Division)..				
Richmond.....	St. Mary's.....	Fish and Fish Oil.....	Henry Readman.	W. H. Rudolph.
do .....	Arichat .....	do .....		Isaiah Tenio.
do .....	L'Ardoise .....	do .....		George Burke.
do .....	West Arichat .....	do .....		Benjamin Upton.
do .....	St. Peter's .....	do .....		John Campbell.
Antigonish.....	L'Ardoise .....	do .....		Alex. Murcheson.
Lunenburg.....	Har. aux Bouche..	do .....		John Corbett.
do .....	Blandford.....	do .....		Lewis Tanner.
do .....	Martin's Point.....	do .....		Davis Publicover.
Annapolis.....	Granville .....	do .....	Israel Letteny....	Jas. Hiltz, Sen.

APPENDIX

STATEMENT showing Quantities of certain Staple Articles of Canadian Produce, In-1878, and the Fees accrued thereon, as returned to the FLOUR.

Place.	Superior Extra.		Extra Superfine.	Fancy Superfine.	Spring Extra.		Superfine.
	½ Brls.	Brls.	Brls.	Brls.	½ Brls.	Brls.	Brls.
Quebec.....	108	1,372	1,083	726	200	25,467	1,845
Montreal .....		83,880	67,173	19,308		138,442	13,596
Toronto .....		3,084	5,822	5,666		12,057	2,861

GRAIN.

Place.	Wheat.								Oats.	
	Winter.				Spring.				No. 1.	No. 2.
	No. 1 W.	No. 2 W.	No. 1 R.	No. 2 R.	No. 1.	No. 2.	No. 3.	Reject'd		
	Centals.	Centals.	Centals.	Centals.	Centals.	Centals.	Centals.	Centals.	O'ntls	O'ntls
Montreal .....	48,000	35,013	1,800	12,831	25,867					6,400
Toronto.....	12,527	156,800	38,359		610,562	596,114	22,525	4,968	2,460	2,662

BEEF AND

Place.	Beef.						
	Mess.		Prime Mess.		Prime.	Cargo.	
	Brls.	Tierces.	Brls.	Tierces.	Brls.	½ Brls.	
Quebec.....		347			61		
Montreal .....		6	34		616	4	4

BUTTER

Place.	First.				Second.			
	25 lbs.	50 lbs.	75 lbs.	100 lbs.	25 lbs.	50 lbs.	75 lbs.	100 lbs.
Ottawa .....	1.015	690	326	321	673	701	420	370

6.

spected under provisions of 37 Vic., Cap. 45, during the Fiscal Year ended 30th June, Department of Inland Revenue by the respective Inspectors.

Fine.	Fine Middlings.	Pollards.	Strong Bakers.	Sour.	Rejected.	Fees Accrued.
Brls.	Brls.	Brls.	Brls.	Brls.	Brls.	
2,476	972	49	703	.....	2,117	\$ cts. 1,198 31
9,864	3,479	2,347	4,187	1,637	5,103	6,986 28
1,224	163	.....	1,152	.....	.....	675 24

Rye.		Peas.			Barley.				Fees Accrued.		
Re-jected.	No. 1.	No. 2.	Re-jected.	No. 1.	No. 2.	Re-jected.	No. 1.	No. 2.	No. 3.	Re-jected.	
C'ntls	C'ntls	C'ntls	C'ntls	Centals.	Centals.	Centals.	Centals.	Centals.	Centals.	Centals.	\$ cts.
.....	.....	.....	.....	.....	.....	.....	.....	.....	.....	.....	243 44
240	693	3,291	840	22,860	23,207	2,370	152,316	275,321	10,852	1,140	3,252 27

PORK.

Pork.									Fees Accrued.
Rejected.	Mess.		T. Mess.		Ex-Prime.	Prime Mess.	Prime.	Re-jected.	
Brls.	Tierces.	Brls.	Tierces.	Brls.	Brls.	Brls.	Brls.	Brls.	\$ cts.
13	.....	3,670	.....	.....	.....	255	160	762	1,322 50
37	38	1,540	1	381	110	22	3	557	1,376 50

Third.				Fourth.				Grease.				Fees Accrued.
25 lbs.	50 lbs.	75 lbs.	100 lbs.	25 lbs.	50 lbs.	75 lbs.	100 lbs.	25 lbs.	50 lbs.	75 lbs.	100 lbs.	
												\$ cts.
810	790	373	529	945	787	538	531	837	673	493	365	1,217 30

APPENDIX

STATEMENT showing Quantities of certain Staple FISH.

Place.	Salmon.				Sea Trout.		Lake Trout.	Mackerel.		Herring.		
	Tierce.	$\frac{1}{2}$ Tierce.	Brls.	$\frac{1}{4}$ Brls.	Brls.	$\frac{1}{2}$ Brls.	$\frac{1}{2}$ Brls.	Brls.	$\frac{1}{2}$ Brls.	Brls.	$\frac{1}{2}$ Brls.	Boxes.
Quebec.....		1	1,241	44	100	63	.....	140	5	11,767	526	.....
Montreal .....	36		1,041	28	35	.....	274	35	9	357	87	.....
Halifax.....			3,130	26	29	0	17	24,409	641	23,393	1,130	13,382
St. John, N. B.....										503	727	.....
Lunenburg.....								8,853	42	5,572	57	.....
Victoria .....								305				.....
Antigonish .....								1,271	16	238		.....
Yarmouth.....								4,633	38	2,505	16	.....
Inverness.....							1,262	586	1	2,430	272	.....
Richmond .....								6,394	35 $\frac{1}{2}$	5,307	474	1

FISH

Place.	Whale Oil.			Seal Oil.				
	No. 1 Pale.	No. 2 Straw.	No. 3 Brown.	No. 1 Streaky Pale.	No. 2 Pale.	No. 3 Straw.	No. 4 Brown.	No. 5 Dark Brown.
Quebec:								
Tierces.....	1	25	11	6	323	1,009	107	47
Barrels.....		4	1	2	160	220	46	8
Montreal:								
Puncheons.....	4						4	
Hogsheads.....		1					7	
Tierces.....		2		2,171	901	53	52	
Barrels.....		1		175	87	36	2	
Halifax:								
Tierces.....		4	239			42	16	16
Barrels.....			17	50		6	15	
St. John:								
Tierces.....								
Barrels.....								
Yarmouth:								
Barrels.....								
Lunenburg:								
Tierces.....		10	3					
Hogsheads.....								

C.—Continued.

Articles of Canadian Produce Inspected, &c.—Continued.

Newfoundland Herring.		Gaspeaux & Alewives.		Shad.		Whitefish.		Cod Fish.			Other Fish.		Smoked Herrings.		Fees Accrued.
Brls.	½ Brls.	Brls.	½ Brls.	Brls.	½ Brls.	Brls.	½ Brls.	Drassts.	Brls.	½ Brls.	Brls.	½ Brls.	Brls.	½ Brls.	
5,453	453							2,560	10,497	78	303	47	11,850	479	\$ cts. 1,668 63
28,806	2,533						316	30½	347						888 23
		612	16		179	14,200	6,000		96	3	64				4,691 39
															47 17
		200													1,165 68
															44 55
		658													64 07
		5	1									5			623 83
		98	3½						25		2				263 67
															359 27

OILS.

Porpoise Oil.		Cod Oil.		Herring Oil.	Hake Oil.		Dog Fish Oil.	Other Fish Oil.		Fees Accrued.
No. 1 Pale.	No. 2 Straw.	A.	B.	A.	A.	B.	A.	A.	B.	
1	5	1,024	19	7					25	\$ cts. 695 00
1	2	618	11	5				2	300	
		3						1		1,007 20
		497	1					784		
		328	1					230		
		1,778	48	5	13			2	2	479 20
		186	16	7	1	1		9		
		5								4 15
		22								
	2	245	6							37 95
		370	33							67 65
		15	19							

## APPENDIX C.—Continued.

STATEMENT showing Quantities of certain Staple Articles of Canadian Produce Inspected, &c.—Continued.

## ASHES.

Place.	Pot.			Pearl.			Fees Accrued.
	1st Sort.	2nd Sort.	3rd Sort.	1st Sort.	2nd Sort.	3rd Sort.	
	Brls.	Brls.	Brls.	Brls.	Brls.		\$ cts.
Montreal .....	9,734	344	138	1,615	18	.....	9,611 04

## LEATHER AND RAW HIDES.

Place.	Leather.			Hides.			Calf Skins.			Fees Accrued.
	1.	2.	3.	1.	2.	3.	1.	2.	3.	
Quebec .....	43,537	11,316	1,949	12,062	1,802	195	.....	.....	.....	593 28
Montreal .....	139,435	109,100	14,286	33,320	7,496	3,362	.....	.....	.....	6,931 11
Toronto .....	.....	.....	.....	32,588	13,671	693	.....	.....	.....	2,346 85
Hamilton .....	.....	.....	.....	14,246	2,531	193	1,650	768	.....	907 84
Ottawa .....	.....	.....	.....	6,811	1,664	441	.....	.....	.....	445 25
St. John .....	4,247	.....	.....	3,311	45	3	.....	.....	.....	253 66
Kingston .....	.....	.....	.....	4,485	551	534	.....	.....	.....	328 48
London .....	.....	.....	.....	6,820	800	4	.....	.....	.....	360 93
Hastings .....	.....	.....	.....	1,354	337	144	.....	.....	.....	90 45
Lincoln and Welland .....	.....	.....	.....	7,729	357	5	.....	.....	.....	389 78
Perth and Huron .....	.....	.....	.....	1,423	802	67	.....	.....	.....	115 25

INLAND REVENUE DEPARTMENT,  
OTTAWA, 24th December, 1878.

A. BRUNELL,  
Commissioner.



**APPENDIX 5.**

ANALYSIS of Excise Examinations held during the Fiscal Year ending 30th June, 1878.

Place of Examination.	Date.	Number of Candidates examined.	Number entitled to certificates.			Unsuccessful, less than 600 marks out of 1,500.
			1st Class over 1,200 marks out of 1,500.	2nd Class over 900 marks out of 1,500.	3rd Class over 600 marks out of 1,500.	
London. ....	Sept. 18th, '77.	20	3	10	5	2
Toronto .....	do 5th, '77.	5	3	1	1	.....
Ottawa.....	Aug. 28th, '77.	6	1	.....	5	.....
Montreal .....	do 22nd, '77.	7	.....	5	2	.....
Halifax.....	do 16th, '77.	6	1	3	2	.....
		44	8	19	15	2

TABLE shewing Marks obtained by Candidates for Examination before the Inland Revenue Board of Examiners during the Fiscal Year ending 30th June, 1878

Number in order of merit.	2	3	4	5	6	7	8	10	11	12	13	14	15	16	17	18	Total.
	Designative Number.	Names of Candidates.	Date of Examination.	Place of Examination.	Book-keeping.	Inland Revenue Laws.	Arithmetic to Decimals.	Mensuration of Super-fices.	Malt-Gauging.	Computation of Commodities in Bulk.	Hydrometer.	Slide Rule.	Distillation.	Maltng.	Tobacco Manufactures.	Petroleum.	
					225	150	200	175	100	200	100	90	70	70	70	50	1,500

CANDIDATES ENTITLED TO FIRST CLASS CERTIFICATES.

1	2	3	4	5	6	7	8	9	10	11	12	13	14	15	16	17	18	Total.
166	Gerald, Chas.	August 28th, 1877	Ottawa	207	143	200	175	106	165	90	88	70	47	1,435				
191	McSweeney, Jas.	September 18th, 1877	London	113	120	192	175	82	177	90	55	63	62	65	48	50	1,243	
194	Sohram, B.	do 18th, 1877	do	140	115	182	164	84	200	98	60	48	53	60	46	46	1,216	
175	Ross, W. O.	do 5th, 1877	Toronto	147	58	195	197	90	200	80	78	57	58	40	46	46	1,209	
172	Holton, Geo. C.	do 5th, 1877	do	200	120	144	150	100	140	60	51	68	59	70	47	47	1,208	
195	Woodward, G. W.	do 18th, 1877	London	75	79	200	200	99	199	95	90	52	56	45	43	41	1,204	
171	Ross, H. C.	do 5th, 1877	Toronto	127	87	200	173	100	160	75	83	57	59	42	41	41	1,201	
155	Travis, Geo.	August 16th, 1877	Halifax	150	102	141	175	91	130	100	30	51	58	65	48	48	1,201	

CANDIDATES ENTITLED TO SECOND CLASS CERTIFICATES.

186	Her, B.	September 18th, 1877	London	143	108	152	155	58	145	55	66	55	57	43	1,130		
159	Beauchamp, G. P.	August 22nd, 1877	Montreal	113	110	188	131	70	125	80	75	62	59	62	50	50	1,129
177	Baby, W. A. D.	September 18th, 1877	London	17	143	197	175	100	195	95	55	70	37	27	17	17	1,128
182	Craig, Jos.	do 18th, 1877	do	105	112	131	171	100	130	90	60	38	58	61	48	48	1,101
185	Gosnell, F. G.	do 18th, 1877	do	85	115	197	175	78	155	60	60	48	53	37	33	33	1,096
164	St. Louis, A.	August 22nd, 1877	Montreal	127	120	149	118	80	120	90	70	62	61	40	50	50	1,087

15	158	Browne, D.....	do	22nd, 1877	do	114	140	186	112	89	72	100	45	27	52	58	43	1,068
16	152	Esson, Geo, jun.....	do	16th, 1877	Halifax.....	116	133	107	165	69	160	100	56	11	57	43	48	1,055
17	181	Crawford, W. P.....	September	18th, 1877	London.....	123	92	154	144	85	128	90	25	50	66	43	45	1,045
18	154	Moore Thos.....	August	16th, 1877	Halifax.....	120	120	102	173	66	100	100	85	24	45	40	47	1,032
19	163	Coles, F. W.....	September	18th, 1877	London.....	134	106	143	131	76	160	70	15	31	58	36	45	1,004
20	178	Boutiller, F. P.....	do	18th, 1877	do	154	81	139	126	67	104	100	45	50	53	34	31	984
21	153	Taylor, Chas.....	August	16th, 1877	Halifax.....	109	127	80	158	75	75	95	80	14	49	55	50	967
22	192	Rowland, E.....	September	18th, 1877	London.....	141	128	153	131	62	99	65	10	13	67	42	49	960
23	162	Garon, D.....	August	22nd, 1877	do	66	97	152	91	85	165	80	65	12	36	40	31	920
24	163	Malo, T.....	do	22nd, 1877	do	93	101	149	136	80	130	40	65	61	59	48	50	919
25	189	Moore, W.....	September	18th, 1877	London.....	115	106	103	116	93	125	80	8	28	69	40	46	916
26	184	Conway, B. J.....	do	18th, 1877	do	109	87	103	135	54	170	68	20	22	57	43	31	908
27	174	Din man, N. J.....	o	5th, 1877	Toronto.....	109	62	62	107	88	100	60	75	48	58	50	43	903

CANDIDATES ENTITLED TO THIRD CLASS CERTIFICATES.

28	157	Carrall, D.....	August	16th, 1877	Halifax.....	15	83	176	175	78	125	80	45	11	51	20	35	894
29	168	Ferguson, Jno.....	do	28th, 1877	Ottawa.....	103	71	57	153	62	165	75	20	42	65	27	44	884
30	170	Marshall, F.....	do	28th, 1877	do	30	91	117	153	91	165	80	10	14	55	33	23	862
31	165	Mulhern, M. M.....	do	28th, 1877	do	26	110	146	169	71	130	35	25	12	56	20	39	839
32	167	Fahey, E.....	do	28th, 1877	do	65	65	157	128	90	155	90	25	14	44	20	36	824
33	161	Fox, Thos.....	do	22nd, 1877	Montreal.....	78	71	160	102	77	85	60	35	14	48	45	46	821
34	187	Logan, Jno.....	September	18th, 1877	Montreal.....	75	88	100	128	73	125	90	10	20	42	18	37	806
35	156	Moore, J. H.....	August	16th, 1877	Halifax.....	105	99	77	159	26	30	90	90	14	24	35	46	795
36	173	Heap, R.....	September	5th, 1877	Toronto.....	48	97	84	82	76	70	70	40	36	70	55	40	768
37	160	Desrochers, J. L. B.....	August	22nd, 1877	Montreal.....	94	111	61	90	39	36	70	40	30	53	45	50	719
38	169	Falconer, J.....	do	28th, 1877	Ottawa.....	12	71	137	112	20	165	80	20	14	19	.....	34	664
39	188	Lang, V.....	September	18th, 1877	Lo don.....	23	90	109	108	15	85	10	20	9	52	45	42	608
40	176	Arnott, A. D.....	do	18th, 1877	do	2	8	140	131	58	130	85	10	6	25	10	11	606
41	190	Mowatt, Jno.....	do	18th, 1877	do	44	79	61	93	33	89	90	10	12	43	21	30	605
42	179	Bruce, G. A.....	do	18th, 1877	do	12	56	90	123	23	45	85	20	13	56	40	40	603

UNSUCCESSFUL CANDIDATES.

43	193	.....	September	18th, 1877	London.....	6	23	.....	.....	.....	.....	.....	.....	.....	.....	.....	.....	29	
44	180	.....	do	18th, 1877	do	.....	.....	.....	.....	.....	.....	.....	.....	.....	.....	.....	.....	.....	.....



---

---

FINANCIAL RETURNS, 1877-78.

---

---

Memo. of Refunds deducted below.	Amounts deposited to the credit of the Receiver General.	Authorized Abatements, &c.	Balances due 30th June, 1878.	Total.	Service.	Revenues of years not collected, 1st July, 1877.	Revenue accrued, 1877-78.	Total.
\$ cts.	\$ cts.	\$ cts.	\$ cts.	\$ cts.	\$ cts.	\$ cts.	\$ cts.	\$ cts.
18,919 36	4,879,339 65	.....	40,783 46	4,920,123 11	Excise and Seizures, per Statement No. 3.	32,053 12	4,888,079 99	4,920,123 11
1,648 85	350,912 45	.....	14,476 51	365,388 96	Canals, per Statement No. 5.....	4,336 48	361,052 48	365,388 96
45 52	88,412 64	.....	206,118 93	304,531 47	Slides and Booms, per Statement No. 7....	221,240 01	83,291 46	304,531 47
.....	44,086 03	5,651 90	201,784 07	251,522 00	Hydraulic and other Rents, per Statements Nos. 5 and 8 .....	219,303 34	32,218 66	251,522 00
.....	6,662 53	1,897 96	28,168 54	36,729 03	Minor Public Works, per Statements Nos. 5 and 9.....	6,159 78	30,569 25	36,729 03
.....	53,521 38	.....	29,781 36	83,302 74	Culling Timber, per Statement No. 10.....	26,813 41	56,489 33	83,302 74
343 35	31,173 66	.....	806 11	31,979 77	Weights and Measures, Gas and Law Stamps, per Statements Nos. 18, 19 and 20.....	1,575 00	33,404 77	34,979 77
.....	200,442 21	.....	228 45	200,670 66	Bill Stamps, per Statements Nos. 11 and 12.....	66 33	200,614 33	200,670 66
20,990 08	5,667,550 45	.....	.....	6,197,247 74	<i>Less.</i>	.....	5,685,710 27	6,197,247 74
.....	20,990 08	.....	.....	20,990 08	Refunds, as per Statement No. 16.....	.....	20,990 08	20,990 08
.....	5,646,560 37	7,549 86	522,147 43	6,176,257 66	..... Total.....	511,537 47	5,664,720 19	6,176,257 66

A. BRUNEL,  
Commissioner.

INLAND REVENUE DEPARTMENT,  
OTTAWA, 22nd October, 1878.

CR.

No. 2.—GENERAL EXPENDITURE ACCOUNT, 1877-78.

DR.

Amounts due to Collectors, &c., 1st July, 1877.	EXPENDITURE AUTHORIZED BY THE DEPARTMENT.				Total.	SERVICE.	Amounts due by Collectors, &c., 1st July, 1877.	Amounts disbursed by the Rec.-Gen. on requisition of the Department.	Amounts deducted from Salaries for Superannation.	Amounts due to Collectors, &c., 30th June, 1878.	Total.
	Salaries.	Contingencies.	Seizures.	Collectors' Fees.							
\$ cts.	\$ cts.	\$ cts.	\$ cts.	\$ cts.	\$ cts.	\$ cts.	\$ cts.	\$ cts.	\$ cts.	\$ cts.	\$ cts.
49 08	174,272 37	40,341 81	1,338 88	1,001 90	217,007 04	Excise and Seizures, per Statement No. 4.	594 38	213,230 05	3,133 33	49 28	217,007 04
.....	26,130 73	3,716 95	.....	32 65	29,880 33	Canals, per Statement No. 6	30 16	29,400 96	449 21	.....	29,880 33
.....	17,047 77	1,322 87	.....	.....	18,370 64	Slides and Booms, per Statement No. 7½	.....	18,116 00	254 64	.....	18,370 64
.....	14,700 00	8,779 21	26,461 17	.....	49,940 38	Cutlers, per Statement No. 10½	.....	49,682 68	257 80	.....	49,940 38
.....	.....	.....	2,880 76	.....	2,880 76	Seizures distributed	.....	2,880 76	.....	.....	2,880 76
.....	800 00	8,894 13	.....	.....	9,694 13	Sundry Minor Expenditures, per Statement No. 11½	.....	9,678 09	16 04	.....	9,694 13
.....	31,237 50	7,538 15	.....	16 66	38,792 31	Departmental Expenditure, per Statement No. 17	16 66	38,311 93	463 72	.....	38,792 31
.....	53,220 27	25,170 22	.....	4,022 13	82,412 62	Weights and Measures, per Statement No. 21.	419 77	81,187 15	805 70	.....	82,412 62
.....	9,153 86	5,337 96	.....	.....	14,491 82	Gas Inspection, per Statement No. 22.....	.....	14,427 64	64 18	.....	14,491 82
49 08	326,562 50	101,104 30	4,219 64	5,073 34	463,470 03	Total	1,060 97	456,915 16	5,444 62	49 28	463,470 03

A. BRUNEL,  
Commissioner.

INLAND REVENUE DEPARTMENT,  
OTTAWA, 22nd October, 1878.

EXCISE,  
No. 3.—Collection Divisions  
(For Details, see

DR.

Amounts accrued during the year, including License Fees.												
Balances due 1st July, 1877.	Spirits.		Malt Liquor.		Malt.		Tobacco.		Petroleum Inspection Fees.	Bonded Manufactures.	Seizures.	Other Receipts.
\$ cts.	\$	cts.	\$	cts.	\$	cts.	\$	cts.	\$	cts.	\$	cts.
4,867 24												
	6,114	57	100	00	140	40	3,534	00			106	00
36 40	41,619	76	200	00	4,870	90	9,061	90				20 90
1,150 15	11,712	78	210	64	10,577	70	272	10				
	6,028	00										
	4,972	13										
693 87	24,944	76	550	00	10,111	56	4,112	10			76	26
1,463 90	73,624	66	800	00	46,321	24	19,702	20	107	05	500	00
1,229 73	61,264	25	250	00	24,269	70	173,216	02	669	82	21,007	16
178 07	66,281	95	200	00	8,121	06	60,832	50	27	80	2,935	86
595 70	60,387	23	400	00	56,696	50	81,228	50	4,741	60		
	98,644	29	200	00	5,146	06	34,150	50			75	00
342 70	40,909	95	250	00	6,621	74	37,210	84	77	75	79	04
72 68	14,627	24	50	00	1,248	16	2,669	80			4	20
	22,378	71	150	00	4,587	96	2,967	50				
4,630 16	73,880	68	175	00	23,956	54	6,335	20				
	12,030	02	50	00	2,028	18	2,651	40	829	25		
158 94	23,723	91	200	00	15,085	74	8,408	30				14 00
2,003 41	503,157	13	700	00	118,744	22	246,294	27	1	10	7,725	50
5,717 48	425,527	77	300	00	13,944	96	17,406	72			444	98
											755	00
23,140 43	1,571,829	69	4,785	64	352,472	62	710,053	85	6,454	37	32,113	50
											1,995	50
												4,197
												57
5,133 63	663,867	64	550	00	123,292	54	400,697	60			1,771	77
53 13	214,355	08	50	00	8,376	56	106,938	30			8	55
	14,383	46	50	00	5,984	08	841	70				73
	27,388	95	100	00			42	80				90
	16,162	71	100	00			326	40				
			50	00			20	50				
304 29	18,810	95					105	05				254
												20
5,491 05	954,968	79	900	00	137,653	18	508,972	35			1,780	32
											1,903	21
												34
												69
2,275 48	49,627	28	250	00	25,016	16	9,572	90				
	766	16					122,142	30			714	68
	62	80					12,546	80			4	18
							5,130	60				559
												00
2,275 48	50,456	24	250	00	25,016	16	149,392	60			714	68
											4	18
												569
												00
10 00	1,064	53					10,820	70				
	99,867	66	50	00	9,980	76	137,190	30	14	85	2,285	95
												650
10 00	100,932	39	50	00	9,980	76	148,011	00	14	85	2,285	95
												650
863 36	9,208	85	150	00	3,695	46	32,469	90				
153 46	15,567	86	200	00	4,216	60	19,088	05				31
119 34	5,621	01	300	00	5,556	96	13,514	80				00
												6
												50
1,136 16	30,397	72	650	00	13,469	02	65,072	75				31
												00
												6
												50
32,063 12	2,708,584	83	6,635	64	538,591	74	1,581,502	55	6,469	22	36,894	45
	299	06	25	00	15,920	27	426	60	42	65	20	55
											3,933	89
											2,215	23
												5,457
												67
	2,708,285	77	6,610	64	522,671	47	1,581,075	95	6,426	57	36,873	90
											1,718	66
												5,457
												67

INLAND REVENUE DEPARTMENT, OTTAWA, 22nd October, 1878.

1877-78.

in Account with Revenue.

Appendix A.)

CR.

Total Duties Accrued.		Total Debits.		Divisions.	Deposited to the Credit of the Receiver- General.		Balances due 30th June, 1878.		Total Credits.	
\$	cts.	\$	cts.		\$	cts.	\$	cts.	\$	cts.
		4,867	24	Sundry Balances			4,867	24	4,867	24
9,994	97	9,994	97	Algoma	9,994	97			9,994	97
55,772	56	55,808	96	Belleville	55,766	16	42	80	55,808	96
22,773	22	23,923	37	Cobourg	22,736	54	1,186	83	23,923	37
6,028	00	6,028	00	Collingwood	6,028	00			6,028	00
4,972	13	4,972	13	Cornwall	4,972	13			4,972	13
39,848	68	40,542	55	Goderich	40,192	39	350	16	40,542	55
141,111	15	142,575	05	Guelph	141,715	43	859	62	142,575	05
282,485	45	283,715	18	Hamilton	282,316	57	1,398	61	283,715	18
138,849	17	139,027	24	Kingston	138,880	18	147	06	139,027	24
203,530	33	204,126	03	London	203,687	03	439	00	204,126	03
138,219	89	138,219	89	Ottawa	138,212	89	7	00	138,219	89
85,120	28	85,462	98	Paris	84,728	04	734	94	85,462	98
18,599	40	18,672	08	Perth	18,498	16	173	92	18,672	08
30,084	17	30,084	17	Peterborough	29,927	33	156	84	30,084	17
104,347	32	108,977	48	Prescott	105,677	53	3,299	95	108,977	48
17,602	85	17,602	85	Sarnia	17,566	60	36	25	17,602	85
47,417	95	47,576	89	St. Catharine's	47,382	09	194	80	47,576	89
878,432	22	880,435	63	Toronto	879,140	12	1,295	51	880,435	63
458,713	00	464,430	48	Windsor	447,058	29	17,372	19	464,430	48
2,683,902	74	2,707,043	17	Ontario	2,674,480	45	32,562	72	2,707,043	17
				Beauharnois						
1,191,773	66	1,196,907	29	Montreal	1,193,834	98	3,072	31	1,196,907	29
329,817	99	329,871	12	Quebec	329,799	52	71	60	329,871	12
21,259	24	21,259	24	Sherbrooke	21,202	76	56	48	21,259	24
27,531	75	27,531	75	St. Hyacinthe	27,531	75			27,531	75
16,589	11	16,589	11	St. John's	16,589	11			16,589	11
70	50	70	50	Terrebonne	70	50			70	50
19,170	20	19,474	49	Three Rivers	19,170	20	304	29	19,474	49
1,606,212	45	1,611,703	50	Quebec	1,608,198	82	3,504	68	1,611,703	50
9,572	90	9,572	90	Cape Breton	9,516	10	56	80	9,572	90
198,313	60	200,589	08	Halifax	197,639	99	2,949	09	200,589	08
13,322	96	13,322	96	Pictou	13,322	16	0	80	13,322	96
5,193	40	5,193	40	Yarmouth	5,182	20	11	20	5,193	40
226,402	86	228,678	34	Nova Scotia	225,660	45	3,017	89	228,678	34
11,885	23	11,885	23	Miramichi	11,885	23			11,885	23
250,039	72	250,049	72	St John	249,368	49	681	23	250,049	72
261,924	95	261,934	95	New Brunswick	261,253	72	681	23	261,934	95
45,524	21	46,387	57	P. E. Island	45,692	57	695	00	46,387	57
39,103	51	39,256	97	Manitoba	39,053	31	203	66	39,256	97
24,999	27	25,118	61	British Columbia	25,000	33	118	28	25,118	61
109,626	99	110,763	15		109,746	21	1,016	94	110,763	15
4,888,069	99	4,920,123	11	Total	4,879,339	65	40,783	46	4,920,123	11
18,949	36			Less Refunds, per Stat. 16						
4,869,120	63			Nett Revenue.						

A. BRUNEL, Commissioner.



EXCISE,

No. 4.—Collection Divisions

(For Details, see

DR.

Balance due by Collectors, &c., 1st July, 1877,	Amounts received from Department to meet Expenditure.	Deductions from Salaries for Superannuation.	Balances due to Collectors, &c., 30th June, 1878.	Total.	DIVISIONS.	Balances due to Collectors, &c., 1st July, 1877.
\$ cts.	\$ cts.	\$ cts.	\$ cts.	\$ cts.		\$ cts.
43 98	698 85	9 64	708 49	708 49	Algoma	
	4,376 02	67 92	4,487 92	4,487 92	Belleville	
	2,060 12	37 96	2,098 08	2,098 08	Cobourg	
	920 82	16 04	936 86	936 86	Collingwood	
	599 05	8 00	607 05	607 05	Cornwall	
	5,434 09	70 76	5,504 85	5,504 85	Goderich	
	13,374 12	225 96	13,600 08	13,600 08	Guelph	
	8,465 61	160 00	8,625 51	8,625 51	Hamilton	
	4,000 15	64 85	4,071 00	4,071 00	Kingston	
	8,992 45	166 64	9,159 09	9,159 09	London	
	3,537 78	65 12	3,602 90	3,602 90	Ottawa	
	6,302 83	103 88	6,406 71	6,406 71	Paris	
	830 03	13 96	843 99	843 99	Perth	
	1,285 64	24 49	1,310 13	1,310 13	Peterboro'	
	5,351 47	92 00	5,443 47	5,443 47	Prescott	
	2,963 70	36 04	2,999 74	2,999 74	Sarnia	
	4,692 90	84 00	4,776 90	4,776 90	St. Catharines	
	20,403 19	356 81	20,760 00	20,760 00	Toronto	
	14,168 58	238 28	14,455 89	14,455 89	Windsor	49 08
196 00	10,098 68	167 88	10,461 96	10,461 96	District Inspectors	49 08
239 98	118,561 33	2,010 23	120,860 62	120,860 62	Ontario	49 08
	444 12	4 96	449 08	449 08	Beauharnois	
	20,269 73	308 89	20,578 62	20,578 62	Montreal	
	8,125 42	142 90	8,268 32	8,268 32	Quebec	
	677 65	12 00	689 65	689 65	St. Hyacinthe	
	849 45	9 92	859 37	859 37	St. John's	
	468 55	4 96	473 51	473 51	Sherbrooke	
19 00	420 01	4 96	443 97	443 97	Terrebonne	
	919 66		919 66	919 66	Three Rivers	
	294 00	6 00	300 00	300 00	Magdalen Islands	
	4,150 91	79 96	4,230 87	4,230 87	District Inspectors	
19 00	36,619 50	574 55	37,213 05	37,213 05	Quebec	
	557 47	6 32	563 99	563 99	Cape Breton	
	6,317 97	74 23	6,392 20	6,392 20	Halifax	
	908 96	16 04	925 00	925 00	Pictou	
	529 60	6 32	535 92	535 92	Yarmouth	
267 40	2,215 45	36 00	2,518 85	2,518 85	District Inspector	
267 40	10,529 45	138 91	10,935 96	10,935 96	New Scotia	
	1,038 04	19 96	1,058 00	1,058 00	Miranichi	
	6,589 86	99 22	6,689 08	6,689 08	St. John	
	2,064 86	36 00	2,100 86	2,100 86	District Inspector	
	9,692 76	155 18	9,847 94	9,847 94	New Brunswick	
	3,684 83	45 26	3,729 89	3,729 89	Prince Edward Island	
68 00	4,248 29	61 12	4,377 41	4,377 41	Manitoba	
	5,705 11	100 08	5,805 19	5,805 19	British Columbia	
	10,696 71	48 00	10,744 71	10,744 71	General Contingencies	
	797 05		797 05	797 05	Law Costs	
	4,074 73		4,074 73	4,074 73	Queen's Printer	
	797 19		730 19	730 19	Stationery Office	
	5,852 02		5,952 02	5,952 02	Preventive Service	
	2,038 28		2,038 28	2,038 28	Com. to Cus. Officers	
594 38	213,230 05	3,133 33	217,007 04	217,007 04	Grand Total	49 08

INLAND REVENUE DEPARTMENT, OTTAWA, 22nd October, 1878.

1877-78.

in account with Expenditure.

Appendix B).

CR.

EXPENDITURE AUTHORIZED BY THE DEPARTMENT.						Balances due by Collectors, &c., 30th June, 1878.	Total.
Salaries.	Seizure Expenses.	Special Assistance.	Rent.	Travelling Expenses.	Sundries.		
\$ cts.	\$ cts.	\$ cts.	\$ cts.	\$ cts.	\$ cts.	\$ cts.	\$ cts.
533 32		81 46	46 55	10 00	37 16		708 49
3,400 00	58 45	400 00	150 00	274 10	96 47	108 90	4,487 92
1,900 00	2 00		88 00	35 73	72 35		2,098 08
800 00	60 05		44 00	21 00	11 81		936 86
400 00		200 00		2 05	5 00		607 05
3,600 00	223 91	240 50	132 00	1,084 69	223 75		5,504 85
11,300 00	79 50	1,000 00	100 00	668 20	452 38		13,600 08
8,000 00		400 00		31 23	194 28		8,625 51
3,245 16	23 25	400 00	150 00	22 38	230 21		4,071 00
8,341 67	5 00	201 72	125 00	29 35	456 35		9,159 09
3,258 33	22 90	56 56		90 50	174 61		3,602 90
5,195 70	6 68		207 98	601 14	395 21		6,406 71
700 00			66 36	10 65	66 98		843 99
1,228 45			17 90	17 90	63 78		1,310 13
4,600 00		600 00	100 00	5 60	137 87		5,443 47
1,800 00	25 75	802 00	72 00	163 68	136 31		2,999 74
4,200 00		157 00	24 00	156 63	239 27		4,776 90
17,864 84	272 73	1,665 84		466 83	472 66	27 10	20,760 00
11,924 99	152 55	950 00	489 99	186 70	702 58		14,455 89
8,400 00				1,400 76	202 91	458 29	10,461 96
100,682 46	932 77	7,155 08	1,795 88	5,279 12	4,371 94	594 29	120,860 62
400 00			25 08	12 00	12 00		449 08
15,600 02	104 46	3,923 29	60 00	131 40	696 04	63 41	20,578 61
7,149 97	70 75	113 99	359 25	227 40	346 96		8,268 32
600 00			52 50	20 25	16 90		689 65
800 00			30 00	18 85	10 52		859 37
400 00			50 00		23 51		473 51
400 00			24 00		19 97		443 97
	16 95	699 96			202 75		919 66
300 00							300 00
4,000 00				221 25	9 62		4,230 87
29,649 99	192 16	4,737 24	600 83	631 15	1,338 27	63 41	37,213 05
500 00			30 00	11 50	22 49		563 99
4,036 09	36 45	964 56		2 70	1,352 40		6,392 20
800 00		100 00				25 00	925 00
500 00			30 06		5 92		535 92
1,800 00				501 59	17 26	200 00	2,518 85
7,636 09	36 45	1,064 56	60 00	515 79	1,398 07	225 00	10,935 96
1,000 00			30 00		28 00		1,058 00
5,085 15		999 96	137 72	0 71	465 54		6,689 08
1,800 00				284 01	16 85		2,100 86
7,885 15		999 96	167 72	284 72	510 39		9,847 94
2,449 94		816 90	50 00	68 50	344 55		3,729 89
3,050 00	177 50	270 00		441 75	438 16		4,377 41
5,000 00		475 00		23 50	231 69	75 00	5,805 19
2,400 00				1,133 90	7,168 61	44 20	10,744 71
					797 05		797 05
					4,074 73		4,074 73
					730 19		730 19
					5,852 02		5,852 02
					2,038 28		2,038 28
158,753 63	1,338 88	15,518 74	2,674 43	8,378 43	29,291 95	1,001 90	217,007 04

A. BRUNEL, Commissioner.

## CANALS, &amp;c.

DR.

No. 5.—Collectors of Canal Tolls,

(For Details, see

Balances due 1st July, 1877.	Canal Revenue.				Total Canal Revenue Accrued.	Hydraulic Rents and other Revenues from P. Works, vide State-ments 8 and 9.	Total.
	Tolls.	Wharfage and Storage.	Fines and Damages.	Other Receipts.			
\$ cts.	\$ cts.	\$ cts.	\$ cts.	\$ cts.	\$ cts.	\$ cts.	\$ cts.
.....	149,063 68	.....	.....	.....	.....	146 34	149,210 02
878 81	61,926 31	.....	.....	.....	.....	747 65	63,552 77
.....	486 92	.....	.....	.....	.....	800 10	1,287 02
.....	1,316 22	.....	.....	.....	.....	.....	1,316 22
387 00	1,741 06	.....	.....	.....	.....	28 00	2,156 06
334 39	1,533 39	.....	1,347 16	.....	.....	1,043 00	4,257 94
23 05	104 23	.....	.....	.....	.....	.....	127 28
1,623 25	216,171 81	.....	1,347 16	.....	.....	2,765 09	221,907 31
.....	.....	.....	.....	.....	.....	.....	.....
136 96	2,738 63	9 02	40 00	.....	.....	1,242 00	4,166 61
179 57	15,764 04	.....	45 00	.....	.....	855 00	16,843 61
39 88	536 40	.....	.....	.....	.....	659 00	1,235 28
280 21	2,971 43	113 79	6 00	298 37	.....	.....	3,669 80
83 40	25,360 12	7,782 02	712 75	580 05	.....	6,365 50	40,883 84
713 38	20,791 76	.....	.....	.....	.....	.....	21,505 14
1,433 40	68,162 38	7,904 83	803 75	878 42	.....	9,121 50	88,304 28
.....	.....	.....	.....	.....	.....	.....	.....
.....	3,641 00	6 50	31 00	.....	.....	.....	3,678 50
.....	12,705 73	.....	50 00	6 30	.....	.....	12,762 03
114 02	641 89	.....	.....	.....	.....	.....	755 91
114 02	16,988 62	6 50	81 00	6 30	.....	.....	17,196 44
.....	.....	.....	.....	.....	.....	.....	.....
357 40	21,005 55	.....	.....	.....	.....	.....	21,362 95
585 60	14,792 56	.....	.....	.....	.....	.....	15,378 16
74 16	803 44	.....	5 00	8 00	.....	8 00	898 60
52 46	2,876 14	.....	.....	.....	.....	.....	2,928 60
1,069 62	39,477 69	.....	5 00	8 00	.....	8 00	40,568 31
.....	.....	.....	.....	.....	.....	.....	.....
63 11	2,183 71	96 24	.....	55 00	.....	1,878 95	4,277 01
215 32	2,237 13	.....	10 00	.....	.....	269 00	2,731 45
.....	527 36	.....	.....	.....	.....	.....	527 36
278 43	4,948 20	96 24	10 00	55 00	.....	2,147 95	7,535 82
.....	.....	.....	.....	.....	.....	.....	.....
70 98	3,826 85	.....	.....	.....	.....	210 00	4,107 83
.....	.....	.....	.....	.....	.....	.....	.....
2 45	274 73	.....	.....	.....	.....	.....	277 18
.....	.....	.....	.....	.....	.....	.....	.....
212 00	.....	.....	.....	.....	.....	8 00	220 00
100 00	.....	.....	.....	.....	.....	.....	100 00
.....	.....	.....	.....	.....	.....	150 00	150 00
312 00	.....	.....	.....	.....	.....	158 00	470 00
.....	.....	.....	.....	.....	.....	.....	.....
4,904 15	349,850 28	8,007 57	2,246 91	947 72	361,052 48 1,648 85 359,403 63	14,410 54	380,367 17

INLAND REVENUE DEPARTMENT. OTTAWA, 22nd October, 1878.

1877-78.

&amp;c., in account with Revenue.

CR.

Appendix A.)

Collection Divisions.	Deposited to the Credit of the Receiver General.		Balances due 30th June, 1878.	Total.
	(On account of Canal Revenue.	On account of Hyd. Rents, and other Rev. from P. Works.		
	\$ cts.	\$ cts.	\$ cts.	\$ cts.
<i>Welland Canal.</i>				
Port Colborne .....	139,136 16	111 52	9,962 34	149,210 02
Port Dalhousie.....	62,553 39	747 65	251 73	63,552 77
Dunnville.....	380 66	746 76	159 60	1,287 02
Port Maitland .....	1,143 30	.....	172 92	1,316 22
Port Robinson.....	1,711 71	28 00	416 35	2,156 06
St. Catharines.....	3,140 57	1,043 00	74 37	4,257 94
Chippawa.....	125 78	.....	1 50	127 28
Total.....	208,191 57	2,676 93	11,038 81	221,907 31
<i>St. Lawrence Canals.</i>				
Beaubarnois.....	2,778 26	1,242 00	146 35	4,166 61
Cornwall .....	15,686 83	855 00	301 78	16,843 61
Edwardsburg .....	510 65	589 00	135 63	1,235 28
Lachine.....	3,346 80	.....	323 00	3,669 80
Montreal.....	34,171 69	6,365 50	346 65	40,883 84
Kingston.....	20,376 69	.....	1,128 45	21,505 14
Total.....	76,870 92	9,051 50	2,381 86	88,304 28
<i>Chambly Canal.</i>				
Chambly.....	3,569 59	.....	108 91	3,678 50
St. John's.....	12,762 03	.....	.....	12,762 03
St. Ours.....	669 76	.....	86 15	755 91
Total.....	17,001 38	.....	195 06	17,196 44
<i>Ottawa Canals.</i>				
Ottawa .....	21,049 14	.....	313 81	21,362 95
Grenville.....	14,916 30	.....	461 86	15,378 16
Carillon .....	762 25	8 00	128 35	898 60
St. Anne's Lock .....	2,798 91	.....	129 69	2,928 60
Total .....	39,526 60	8 00	1,033 71	40,568 31
<i>Rideau Canal.</i>				
Ottawa.....	2,398 06	1,878 95	.....	4,277 01
Kingston Mills.....	2,349 07	269 00	113 38	2,731 45
Smith's Falls .....	527 36	.....	.....	527 36
Total .....	5,274 49	2,147 95	113 38	7,535 82
<i>Burlington Bay Canal</i> .....	3,776 70	210 00	121 13	4,107 83
<i>Newcastle District Works</i> .....	270 79	.....	6 39	277 18
<i>Sundry.</i>				
T. Adams.....	.....	.....	220 00	220 00
E. R. Benjamin.....	.....	.....	100 00	100 00
Estate of late J. S. Clark.....	.....	.....	150 00	150 00
Total.....	.....	.....	470 00	470 00
Grand Total.....	350,912 45	14,094 38	15,360 34	380,367 17
Less Refunds, per Statement 13.....	.....	.....	.....	.....
Net Revenue.....	.....	.....	.....	.....

A. BRUNEL, Commissioner.

CANALS,

No. 6.—Collectors of Canal Tolls

(For Details, see

DR.

Balances due by Collectors, &c., 1st July, 1877.	Amounts received from Department to meet Expenditure	Deduction from Salaries for Super-annuation.	Balances due to Collectors &c., 30th June, 1878.	Total.	Collection Divisions.
\$ cts.	\$ cts.	\$ cts.	\$ cts.	\$ cts.	
	2,791 22	50 08		2,841 30	<i>Welland Canal.</i>
25 00	1,533 58	24 00		1,582 58	..... Port Colborne.....
	754 25	15 00		769 25	..... Port Dalhousie .....
	603 46	10 04		613 50	..... Port Maitland .....
	723 79	14 36		738 15	..... Port Robinson.....
	223 86	4 04		227 90	..... St. Catharines.....
25 00	6,630 16	117 52		6,772 68	..... Totals.....
	984 91	16 96		1,001 87	<i>St. Lawrence Canals.</i>
	1,054 11	19 96		1,074 07	..... Beauharnois .....
	7,361 05	97 84		7,458 89	..... Cornwall .....
5 16	2,512 29	36 00		2,553 45	..... Montreal .....
	1,130 04	19 96		1,150 00	..... Lachine.....
5 16	13,042 40	190 72		13,238 28	..... Edwardsburg.....
	1,472 37	25 71		1,498 08	..... Totals.....
	903 96	16 04		920 00	<i>Chambly Canal.</i>
	579 62	10 56		590 18	..... Chambly .....
	2,955 95	52 31		3,008 26	..... St. John's.....
	705 39	11 58		716 97	..... St. Ours.....
	545 68	6 32		552 00	..... Totals.....
	928 55	18 00		946 55	<i>Ottawa Canals.</i>
	2,179 62	35 90		2,215 52	..... Grenville.....
	1,612 85	16 04		1,628 89	..... Carillon .....
	243 22	2 48		245 70	..... St. Anne's Lock.....
	217 78	2 48		220 26	..... Totals.....
	2,073 85	21 00		2,094 85	<i>Rideau Canal.</i>
	296 28	3 72		300 00	..... Ottawa .....
	16 22			16 22	..... Kingston Mills.....
	1,602 56	28 04		1,630 60	..... Smith's Falls.....
	40 50			40 50	..... Totals.....
	404 10			404 10	<i>Burlington Bay Canal.</i>
	159 32			159 32	..... Newcastle District Works.....
30 16	29,400 96	449 21		29,880 33	..... Inspector, R. Bell .....
					..... General Contingencies.....
					..... Queen's Printer .....
					..... Stationery Office.....
					..... Grand Total .....

INLAND REVENUE DEPARTMENT,  
OTTAWA, 22nd October, 1878.

1877-78.

in Account with Expenditure.

Appendix B.)

CR.

Balances due to Collectors &c, 1st July, 1877.	EXPENDITURE AUTHORIZED BY THE DEPARTMENT.					Balances due by Collectors &c., 30th June, 1878.	Total.
	Salaries.	Special Assistance.	Rent.	Travelling Expenses.	Other Expenses.		
\$ cts.	\$ cts.	\$ cts.	\$ cts.	\$ cts.	\$ cts.	\$ cts.	\$ cts.
.....	2,800 00	.....	.....	.....	41 30	.....	2,841 30
.....	1,200 00	152 11	.....	.....	230 47	.....	1,582 58
.....	750 00	.....	.....	.....	19 25	.....	769 25
.....	500 00	.....	100 00	.....	13 50	.....	613 50
.....	718 07	.....	.....	.....	20 08	.....	738 15
.....	200 00	.....	.....	.....	27 90	.....	227 90
.....	6,168 07	152 11	100 00	.....	352 50	.....	6,772 68
.....	850 00	.....	.....	.....	150 71	1 16	1,001 87
.....	1,000 00	.....	.....	.....	74 07	.....	1,074 07
.....	4,900 00	1,523 96	525 00	.....	509 93	.....	7,458 89
.....	1,800 00	98 00	409 27	.....	241 02	5 16	2,553 45
.....	1,150 00	.....	.....	.....	.....	.....	1,150 00
.....	9,700 00	1,621 96	934 27	.....	975 73	6 32	13,238 28
.....	1,473 08	.....	.....	.....	10 22	14 78	1,498 08
.....	800 00	.....	120 00	.....	.....	.....	920 00
.....	574 98	.....	.....	.....	15 20	.....	590 18
.....	2,848 06	.....	120 00	.....	25 42	14 78	3,008 26
.....	579 03	.....	50 00	.....	87 94	.....	716 97
.....	500 00	.....	.....	.....	52 00	.....	552 00
.....	900 00	.....	.....	.....	46 55	.....	946 55
.....	1,979 03	.....	50 00	.....	186 49	.....	2,215 52
.....	800 00	761 50	.....	18 45	48 94	.....	1,628 89
.....	200 00	.....	.....	30 00	15 70	.....	245 70
.....	200 00	.....	.....	7 35	12 91	.....	220 26
.....	1,200 00	761 50	.....	55 80	77 55	.....	2,094 85
.....	300 00	.....	.....	.....	.....	.....	300 00
.....	1,400 00	.....	.....	216 45	16 22	11 55	1,630 60
.....	.....	.....	.....	.....	2 60	.....	40 50
.....	.....	.....	.....	.....	40 50	.....	404 10
.....	.....	.....	.....	.....	159 32	.....	159 32
.....	23,595 16	2,535 57	1,204 27	272 25	2,240 43	32 65	29,880 33

A. BRUNEL,  
Commissioner.

No. 7.—SLIDES AND BOOMS' REVENUE, 1877-78.  
(For Details, see Appendix A.)

DR.

CR.

Balances due 1st July, 1877.	Dues since accrued.	Interest on dues of former years.	Total.	Amounts deposited to the credit of the Receiver General.	Balances due 30th June, 1878.	Total.
\$ cts.	\$ cts.	\$ cts.	\$ cts.	\$ cts.	\$ cts.	\$ cts.
202,320 78	29,726 53	4,391 98	236,439 29	53,912 06	182,527 23	236,439 29
17,837 25	40,233 95	410 05	58,481 25	36,223 37	22,257 88	58,481 25
.....	7,913 40	.....	7,913 40	7,913 40	.....	7,913 40
367 08	390 65	.....	747 73	363 71	384 02	747 73
724 90	224 90	.....	949 80	.....	949 80	949 80
221,240 01	78,489 43	4,802 03	304,531 47	98,412 54	206,118 93	304,531 47

\$83,291 46 Total Accrued Dues and Interest.  
48 62 Less Refunds per Stat. 16.  
83,242 94 Net Revenue.

A. BRUNEL,  
Commissioner.

INLAND REVENUE DEPARTMENT,  
OTTAWA, 22nd October, 1878.

No. 7½.—SLIDES AND BOOMS' EXPENDITURE, 1877-78.  
(For Details, see Appendix B.)

CR.

DR.

Amounts received from Department to meet expenditure.	Deductions from Salaries for Superannation.	Total.	AUTHORIZED EXPENDITURE.				Total.
			Salaries.	Special Assistance.	Contingencies.	Total.	
\$ cts.	\$ cts.	cts.	cts.	\$ cts.	\$ cts.	\$ cts.	
12,244 10	150 04	12,394 14	8,615 27	2,782 50	996 37	12,394 14	
5,132 93	102 00	5,234 93	5,100 00	.....	134 93	5,234 93	
547 40	2 60	550 00	200 00	350 00	.....	550 00	
74 95	.....	74 95	.....	.....	74 95	74 95	
116 62	.....	116 62	.....	.....	116 62	116 62	
18,116 00	254 64	18,370 64	13,915 27	3,132 50	1,322 87	18,370 64	

Ottawa.

.....A. J. Russell, Ottawa .....

.....McLean Stewart, Quebec .....

St. Maurice.

.....A. Dubord.....

.....Queen's Printer .....

.....Stationery Office.....

.....Totals.....

A. BRUNEL,  
Commissioner.

INLAND REVENUE DEPARTMENT,  
OTTAWA, 22nd October, 1878.



HYDRAULIC AND OTHER RENTS, &c., 1877-78.  
 No. 8.—SUMMARY STATEMENT of Lessees' Accounts.

CR.

(For Details, see Appendix C.)

DR.

Balances due 1st July, 1877.	Accrued during year ended 30th June, 1878.	Total.	Name of Work.	Abatements Authorized.	Paid into hands of Collectors, <i>Vide</i> Statement No. 5.	Deposited to the Credit of the Receiver-General.	Balances due 30th June, 1878.	Tota
\$	\$ cts.	\$ cts.		\$ cts.	\$ cts.	\$ cts.	\$ cts.	\$ cts.
35,469 18	2,843 27	38,312 45	Chaudiere Falls and Ottawa River.....	.....	338 00	21 00	37,953 45	38,312 45
6,925 80	1,329 95	7,255 75	Rideau Canal and River.....	.....	514 25	41 00	6,700 50	7,255 75
5,015 00	938 00	5,953 00	Williamsburg Canal.....	.....	659 00	.....	5,294 00	5,953 00
1,397 50	953 00	2,350 50	Cornwall do.....	.....	855 00	.....	1,497 50	2,350 50
1,618 50	1,355 00	2,973 50	Beauharnois do.....	140 00	1,242 00	.....	1,691 50	2,973 50
46,194 67	13,597 00	59,791 67	Lachine do.....	4,013 50	6,340 50	8,315 00	41,122 67	59,791 67
442 00	262 00	704 00	Chambly do.....	196 50	.....	100 00	407 50	704 00
150 50	40 00	190 50	Trent River Works.....	10 50	.....	40 00	140 00	190 50
50,281 32	7,037 00	57,318 32	Welland Canal.....	1,291 40	2,034 15	103 60	53,889 17	57,318 32
35 00	731 00	766 00	Sundry.....	.....	235 00	430 50	100 50	766 00
			<i>Land Sales.</i>					
46,192 47	1,638 70	47,831 17	Principal Accounts.....	.....	1,278 70	20,112 50	26,439 97	47,831 17
25,613 73	1,491 74	27,005 47	Interest do.....	.....	.....	1,666 33	25,339 14	27,005 47
218,735 67	32,218 66	250,954 33	Totals.....	5,651 90	13,496 60	30,829 93	200,975 90	250,954 33

A. BRUNEL,  
*Commissioner.*

INLAND REVENUE DEPARTMENT,  
 OTTAWA, 22nd October, 1878.

CR.

No. 9.—MINOR PUBLIC WORKS, 1877-78.

DR

Balances due 1st July, 1877.	Accrued during year ended 30th June, 1878.	Total.	Work.	Transferred to Marine and Fisheries Department, per 40 Vict., c. 17.	Paid into hands of Collectors, <i>Vide</i> Statement No. 5.	Deposited to the Credit of the Receiver General.	Balances due 30th June, 1878.	Total.
\$ cts.	\$ cts.	\$ cts.		\$ cts.	\$ cts.	\$ cts.	\$ cts.	\$ cts.
88 84	88 84	88 84	<i>Harbors.</i>		88 84			88 84
30 00	30 00	30 00	Port Colborne .....				30 00	30 00
3,304 00	1,818 20	5,122 20	Oakville .....			3,426 57	1,696 63	5,122 20
			Port Whitty .....					
144 00	2,383 75	2,527 75	<i>Bridges</i>					2,527 75
1,533 82	640 08	2,173 90	Union Suspension .....			2,390 30	137 45	2,527 75
			Dunnville .....		800 10		1,373 80	2,173 90
50 00	410 00	410 00	<i>Ferries.</i>				410 00	410 00
	50 00	50 00	Hull .....				500 00	500 00
	20 00	20 00	Sandwich .....		25 00		25 00	50 00
			New Edinburgh and Gatineau .....					20 00
			Restigouche .....					
20 00		20 00	<i>Piers.</i>					20 00
30 00		30 00	Eboulement .....	20 00				30 00
10 00		10 00	Berthier .....	30 00				10 00
105 00		105 00	Rivière Ouelle .....	10 00				105 00
267 00		267 00	Murray Bay .....	105 00				267 00
200 00		200 00	Rivière du Loup .....	267 00				200 00
10 00		10 00	Limouski .....	200 00				10 00
5 96		5 96	L'Islet .....	10 00				5 96
			Oak Point .....	5 96				
	8 38	8 38	<i>Lessees of Offices in Custom House,</i>					8 38
	4,750 00	4,750 00	St. John, N. B. .....			8 38	3,500 00	4,750 00
	20,400 00	20,400 00	Dundas and Waterloo Road .....	1,250 00			20,400 00	20,400 00
			Old Post Office Building, Montreal .....					
6,159 78	30,569 25	36,729 03	Total .....	617 96	913 94	5,824 25	29,092 88	36,729 03

A. BRUNEL,  
Commissioner.

INLAND REVENUE DEPARTMENT,  
OTTAWA, 22nd October, 1878.

DR. No. 10.—CULLERS' REVENUE, 1877-78.

CR.

Balances due 1st July, 1877.	Amounts accrued for Measuring and Culling Timber during year ended 30th June, 1878.	Total.	Deposited to the Credit of the Receiver General.	Balances due 30th June, 1878.	Total.
\$ cts.	\$ cts.	\$ cts.	\$ cts.	\$ cts.	\$ cts.
536 40	1,338 71	1,875 11	1,486 07	389 04	1,875 11
26,277 01	55,150 62	81,427 63	52,035 31	29,392 32	81,427 63
26,813 41	56,489 33	83,302 74	53,521 38	29,781 36	83,302 74

..... Montreal and Sorel.....  
 ..... Quebec.....  
 ..... Totals.....

A. BRUNEL,  
*Commissioner.*

INLAND REVENUE DEPARTMENT,  
 OTTAWA, 22nd October, 1878.

No. 104—CULLERS' EXPENDITURE, 1877-78.

(For Details, see Appendix B.)

CR.

DR.

Received from Department to meet Expenditure.	Deducted from Salaries for Superannuation.	Balance due to Collectors, &c., 30th June, 1878.	Total.	Balance due to Collectors, 1st July, 1877.	Authorized Expenditure.				To
					Salaries.	Special Assistance.	Other Contingencies.	Cullers' Fees.	
\$	cts.	\$	cts.	\$	cts.	\$	cts.	\$	cts.
42,287 13	241 76	.....	42,528 89	.....	12,798 38	1,904 19	2,204 95	25,621 37	42,528 89
2,218 30	16 04	.....	2,234 34	.....	800 00	416 09	178 54	839 80	2,234 34
4,723 92	.....	.....	4,723 92	.....	.....	.....	4,723 92	.....	4,723 92
265 48	.....	.....	265 48	.....	.....	.....	265 48	.....	265 48
136 64	.....	.....	136 64	.....	.....	.....	136 64	.....	136 64
51 11	.....	.....	51 11	.....	.....	.....	51 11	.....	51 11
49,682 58	257 80	.....	49,940 38	.....	13,598 38	2,320 19	7,560 64	26,461 17	49,940 38
				Totals					

A. BRUNEL,  
Commissioner.

INLAND REVENUE DEPARTMENT,  
OTTAWA, 22nd October, 1878.

BILL STAMPS, 1877-78.

Dr. No. 11.—STATEMENT showing the amount of Revenue accrued. Cr.

	Ontario and Quebec.	New Brunswick.	Nova Scotia.	Manitoba.	Total.	Ontario and Quebec.	New Brunswick.	Nova Scotia.	Manitoba.	Total.	
	\$ cts.	\$ cts.	\$ cts.	\$ cts.	\$ cts.	\$ cts.	\$ cts.	\$ cts.	\$ cts.	\$ cts.	
To amount of Bill Stamps destroyed or returned by distributors. ....	2,888 21	24 17	7 91	.....	2,920 29						
To Commission allowed. ....	9,821 68	610 22	487 00	70 00	10,988 90						
To amount of bill Stamps remaining in hands of distributors, 30th June, 1878. ....	39,993 23	3,518 34	5,268 86	2,617 51	51,397 94						
To Balance, being the revenue accrued during 1877-78. ....	178,398 86	11,594 31	9,253 76	1,368 00	200,614 33						
Total .....	231,101 98	15,747 04	15,016 93	4,055 51	265,921 46						
						By amount of Bill Stamps in hands of distributors on 1st July, 1877 .....	44,133 19	4,922 04	5,576 93	2,315 51	56,947 67
						By amount of Bill Stamps issued by the Receiver-General on the requisition of this Department during 1877-78. ....	186,968 79	10,925 00	9,440 00	1,740 00	208,973 79
						Total .....	231,101 98	15,747 04	15,016 93	4,055 51	265,921 46

A. BRUNEL,  
Commissioner.

INLAND REVENUE DEPARTMENT,  
OTTAWA, 22nd October, 1878.

No. 114.—SUNDRY MINOR EXPENDITURES.

(For Details, see Appendix B.)

DR.

CR.

Amount received from Department to meet Expenditure.	Deduction from Salaries for Superannation.	Total.	Service.	Salaries.	Contingencies.	Total.
\$ cts.	\$ cts.	\$ cts.		\$ cts.	\$ cts.	\$ cts.
1,750 00		1,750 00	..... Bill Stamps.....		1,750 00	1,750 00
836 26	16 04	852 30	..... Minor Public Works.....	800 00	52 30	852 30
889 81		889 81	..... Inspection of Staples.....		889 81	889 81
5,946 70		5,946 70	..... Adulteration of Food.....		5,946 70	5,946 70
255 32		255 32	..... Queen's Printer.....		255 32	255 32
9,678 09	16 04	9,694 13	..... Total.....	800 00	8,894 13	9,694 13

A. BRUNEL,  
Commissioner.

INLAND REVENUE OFFICE,  
OTTAWA, 22nd October, 1878.

DR.

No. 12.—Stamp Distributors in

Balance, 1st July, 1877.		Stamps issued to Distributors.	Total.	
Stamps on hand.	Cash on hand.			
\$ cts.	\$ cts.	\$ cts.	\$ cts.	
35,520 38		32,370 00	67,890 38	<i>Ontario and Quebec.</i>
		153,915 79	153,915 79	..... Post Office Department ...
				..... Banks and other Licensees.....
				Collectors of Inland Revenue as under
6 51	11 54		18 05	..... Belleville.....
230 45			230 45	..... Cobourg.....
54 14			54 14	..... Cornwall.....
39 62			39 62	..... Goderich.....
750 40			750 40	..... Guelph.....
893 78			893 78	..... Hamilton.....
695 09		230 00	925 09	..... Kingston.....
295 18			295 18	..... London.....
157 62			157 62	..... Ottawa.....
365 12			365 12	..... Paris.....
111 26	2 18	72 00	185 44	..... Perth.....
78 15	8 81	168 00	254 96	..... Prescott.....
96 57			96 57	..... St. Catharines.....
280 67		213 00	493 67	..... Sarnia.....
673 51			673 51	..... Toronto.....
242 84			242 84	..... Windsor.....
2,510 80			2,510 80	..... Montreal.....
769 31			769 31	..... Quebec.....
147 01			147 01	..... St. Hyacinthe.....
214 78	33 50		248 28	..... Three Rivers.....
44,133 19	56 03	186,968 79	231,158 01	..... Total.....
				<i>New Brunswick.</i>
4,922 04		10,825 00	15,747 04	..... Collector, St. John.....
				<i>Nova Scotia.</i>
5,576 93	0 30	9,440 00	15,017 23	..... Collector, Halifax.....
				<i>Manitoba.</i>
2,315 51		1,740 00	4,055 51	..... Collector, Winnipeg.....
56,947 67	56 33	208,973 79	265,977 79	..... Grand Total.....

INLAND REVENUE DEPARTMENT,  
OTTAWA, 22nd October, 1878.

STAMPS, 1877-78.

account with Inland Revenue Department.

CR.

Stamps destroyed or returned damaged.	Deposited to the Credit of the Receiver General.	Commissions allowed to Distributors.	Balance, 30th June, 1878.		Total.
			Stamps on hand.	Cash on hand.	
\$ cts.	\$ cts.	\$ cts.	\$ cts.	\$ cts.	\$ cts.
2,333 16	32,293 97	2,153 74	31,109 51		67,890 38
555 05	145,692 80	7,667 94			153,915 79
	6 01		0 50	11 54	18 05
			230 45		230 45
			54 14		54 14
			39 62		39 62
			750 40		750 40
			893 78		893 78
	44 23		880 86		925 09
			295 18		295 18
	2 41		155 21		157 62
			365 12		365 12
	24 51		159 22	1 71	185 44
	112 53		135 23	7 20	254 96
	40 89		55 68		96 57
	137 82		335 25	20 60	493 67
			673 51		673 51
			242 84		242 84
			2,510 80		2,510 80
			769 31		769 31
	25 17		121 84		147 01
			214 78	33 50	248 28
2,888 21	178,380 34	9,821 68	39,993 23	74 55	231,158 01
		...			
24 17	11,440 41	610 22	3,518 34	153 90	15,747 04
7 91	9,253 46	487 00	5,268 86		15,017 23
	1,368 00	70 00	2,617 51		4,055 51
2,920 29	200,442 21	10,988 90	51,397 94	228 45	265,977 79

RUNEL,  
Commissioner.



No. 13.—STATEMENT showing the Quantities of the several Articles subject 1876, 1877 and 1878, with

Articles subject to Duty.	1876.			Duty.
	Quantities.			
	Ex-Manufactory	Ex-Warehouse.	Total.	
	Gallons.	Gallons.	Gallons.	\$ cts.
Spirits, at 90 cents per gallon.....	810,018	2,631,108	3,441,126	3,097,018 43
Malt Liquor, at 3·9 cents and 8 cents per gallon.....	163,161	.....	163,161	6,363 28
Malt Liquor, duty having been paid on Malt.....	9,156,029	.....	9,156,029	.....
	Lbs.	Lbs.	Lbs.	
Malt.....	12,097,858	18,595,589	30,693,447	306,934 47
Tobacco, at 20 cents per lb.....	966,944	6,930,077	7,897,021	1,579,405 29
“ 10 “.....	5,750	.....	5,750	575 00
Cigars at 40 “.....	254,503	80,422	334,925	133,969 95
Snuff at 20 “.....	49,219	67,040	116,259	23,251 80
Raw Leaf Tobacco:—				
Foreign, at 20 cents per lb.....	.....	158,272	158,272	31,654 40
Canadian at 10 “.....	.....	11,932	11,932	1,193 24
			8,524,159	1,770,049 68
	Gallons.	Gallons.	Gallons.	
Petroleum, at 6 cents per gallon.....	2,965,051	1,585,136	4,550,187	273,011 27
Inspection Fees on Petroleum.....	.....	.....	.....	11,591 42
Manufactures in Bond.....	.....	.....	.....	27,283 63
Licenses—Spirits.....	.....	.....	.....	2,875 00
“ Malt Liquor.....	.....	.....	.....	7,825 00
“ Malt.....	.....	.....	.....	20,775 00
“ Tobacco.....	.....	.....	.....	5,400 00
“ Petroleum.....	.....	.....	.....	950 00
“ Manufactures in Bond.....	.....	.....	.....	550 00
Totals.....	.....	.....	.....	\$5,530,627 18

INLAND REVENUE DEPARTMENT,  
OTTAWA, 22nd October, 1878.

to Excise Duty taken for Consumption, during the Years ended 30th June, the Duty collected thereon.

1877.				1878.			
Quantities.			Duty.	Quantities.			Duty.
Ex-Manufactory	Ex-Warehouse.	Total.		Ex-Manufactory	Ex-Warehouse.	Total.	
Gallons.	Gallons.	Gallons.	\$ cts.	Gallons.	Gallons.	Gallons.	\$ cts.
722,224	2,220,113	2,942,337	2,648,101 83	548,845	2,459,026	3,007,871	2,707,084 83
.....	.....	.....	.....	.....	.....	.....	.....
9,115,258	.....	9,115,258	.....	133	.....	133	10 64
.....	.....	.....	.....	8,577,942	.....	8,577,942	.....
Lbs.	Lbs.	Lbs.		Lbs.	Lbs.	Lbs.	
8,711,751	20,167,900	28,879,651	371,907 16	6,090,861	20,443,726	26,534,587	530,691 74
.....	.....	.....	.....	.....	.....	.....	.....
781,416	6,543,777	7,325,193	1,465,039 10	597,182	6,429,383	7,026,565	1,405,313 15
8,760	.....	8,760	876 00	5,042	.....	5,042	504 20
222,892	95,160	318,052	127,220 44	258,042	104,632	362,674	145,070 75
62,720	5,908	68,628	13,725 70	72,947	8,392	81,339	16,267 90
.....	.....	.....	.....	.....	.....	.....	.....
.....	87,203	87,203	17,440 60	.....	42,506	42,506	8,501 30
.....	8,630	8,630	863 00	.....	3,202	3,202	320 25
.....	.....	7,816,466	1,625,164 84	.....	.....	7,521,328	1,575,977 55
Gallons.	Gallons.	Gallons.		.....	.....	.....	
2,270,949	1,385,416	3,656,365	219,382 00	.....	.....	.....	6,469 22
.....	.....	.....	14,072 36	.....	.....	.....	36,394 45
.....	.....	.....	29,503 57	.....	.....	.....	1,500 00
.....	.....	.....	2,750 00	.....	.....	.....	6,625 00
.....	.....	.....	7,475 00	.....	.....	.....	7,900 00
.....	.....	.....	17,350 00	.....	.....	.....	5,525 00
.....	.....	.....	5,225 00	.....	.....	.....	500 00
.....	.....	.....	1,875 00	.....	.....	.....	.....
.....	.....	.....	550 00	.....	.....	.....	.....
.....	.....	.....	\$4,943,378 16	.....	.....	.....	\$4,878,678 43

A. BRUNEL,  
Commissioner.

## No. 14.—STATEMENT of Amounts deposited monthly to the credit of the Year ended

	Ontario and Quebec.	New Brunswick.	Nova Scotia.	Other Provinces.	Total.
<b>JULY :—</b>	\$ cts.	\$ cts.	\$ cts.	\$ cts.	\$ cts.
Excise and Seizures.....	287,537 77	19,272 79	14,903 56	7,155 66	308,869 78
Canals.....	42,981 10				42,981 10
Hydraulic and other Rents.....	2,396 85	315 00			2,711 85
Minor Public Works.....	144 00				144 00
Slides.....	2,935 24				2,935 24
Cullers.....	9,494 64				9,494 64
Bill Stamps.....	11,577 92	2,032 31	570 00		14,180 23
Inspection of Weights and Mea- sures and Gas.....	3,072 00	38 20	208 25		3,318 45
Other Revenues.....	193 38				193 38
<b>Total.....</b>	<b>340,332 90</b>	<b>21,658 30</b>	<b>15,681 81</b>	<b>7,155 66</b>	<b>384,828 67</b>
<b>AUGUST :—</b>					
Excise and Seizures.....	311,369 57	26,502 30	15,682 54	9,172 42	362,726 83
Canals.....	50,090 20				50,090 20
Hydraulic and other Rents.....	19,857 47				19,857 47
Minor Public Works.....	379 53				379 53
Slides.....	7,835 77				7,835 77
Cullers.....	13,322 33				13,322 33
Bill Stamps.....	19,264 47	1,049 75	195 51	190 00	20,699 73
Inspection of Weights and Mea- sures and Gas.....	3,709 00		275 40		3,984 40
Other Revenues.....					
<b>Total.....</b>	<b>425,828 34</b>	<b>27,552 05</b>	<b>16,153 45</b>	<b>9,362 42</b>	<b>478,896 26</b>
<b>SEPTEMBER :—</b>					
Excise and Seizures.....	334,445 03	22,648 53	17,133 19	8,904 45	383,131 20
Canals.....	59,509 68				59,509 68
Hydraulic and other Rents.....	654 25				654 25
Minor Public Works.....	535 09				535 09
Slides.....	21,151 40				21,151 40
Cullers.....	7,508 33				7,508 33
Bill Stamps.....	17,087 00	1,326 20	1,042 78	95 00	19,550 98
Inspection of Weights and Mea- sures and Gas.....	3,320 76	56 60	221 80	5 80	3,604 96
Other Revenues.....					
<b>Total.....</b>	<b>444,211 54</b>	<b>24,031 33</b>	<b>18,397 77</b>	<b>9,005 25</b>	<b>495,645 89</b>
<b>OCTOBER :—</b>					
Excise and Seizures.....	444,067 62	26,101 67	20,152 47	9,151 14	499,472 90
Canals.....	55,798 72				55,798 72
Hydraulic and other Rents.....	8,400 00				8,400 00
Minor Public Works.....	239 84				239 84
Slides.....	15,577 32				15,577 32
Cullers.....	6,844 07				6,844 07
Bill Stamps.....	15,545 50	627 00	890 40		17,062 90
Inspection of Weights and Mea- sures and Gas.....	3,336 88	146 60	270 05	11 80	3,765 33
Other Revenues.....					
<b>Total.....</b>	<b>549,809 95</b>	<b>26,875 27</b>	<b>21,312 92</b>	<b>9,162 94</b>	<b>607,161 08</b>

Hon. the Receiver-General, on Inland Revenue Account, during the Fiscal  
30th June, 1878.

	Ontario and Quebec.	New Brunswick.	Nova Scotia.	Other Provinces.	Total.
<b>NOVEMBER :—</b>	\$ cts.	\$ cts.	\$ cts.	\$ cts.	\$ cts.
Excise and Seizures .....	452,655 00	24,741 04	26,797 16	13,023 59	517,216 79
Canals.....	48,759 78	.....	.....	.....	48,759 78
Hydraulic and other Rents.....	512 50	.....	.....	.....	512 50
Minor Public Works.....	240 67	8 38	.....	.....	249 05
Slides.....	7,043 20	.....	.....	.....	7,043 20
Cullers.....	3,639 64	.....	.....	.....	3,639 64
Bill Stamps.....	20,118 16	954 75	645 00	95 00	21,812 91
Inspection of Weights and Mea- sures and Gas.....	3,217 83	68 92	283 42	17 60	3,587 77
Other Revenues .....	.....	.....	.....	.....	.....
<b>Total .....</b>	<b>536,186 78</b>	<b>25,773 09</b>	<b>27,725 58</b>	<b>13,136 19</b>	<b>602,821 64</b>
<b>DECEMBER :—</b>					
Excise and Seizures .....	405,951 18	23,376 55	27,751 74	6,134 82	463,214 29
Canals.....	8,281 15	.....	.....	.....	8,281 15
Hydraulic and other Rents.....	22 00	.....	.....	.....	22 00
Minor Public Works.....	456 44	.....	.....	.....	456 44
Slides.....	17,126 17	.....	.....	.....	17,126 17
Cullers.....	3,197 53	.....	.....	.....	3,197 53
Bill Stamps.....	11,999 09	380 00	975 38	380 00	13,734 47
Inspection of Weights and Mea- sures and Gas.....	2,203 21	123 38	210 39	12 05	2,549 03
Other Revenues.....	.....	.....	.....	.....	.....
<b>Total .....</b>	<b>449,236 77</b>	<b>23,879 93</b>	<b>28,937 51</b>	<b>6,526 87</b>	<b>508,581 08</b>
<b>JANUARY :—</b>					
Excise and Seizures .....	357,442 26	16,908 92	13,578 78	8,600 74	396,530 70
Canals.....	134 82	.....	.....	.....	134 82
Hydraulic and other Rents.....	4,617 35	.....	.....	.....	4,617 35
Minor Public Works.....	78 34	.....	.....	.....	78 34
Slides.....	740 06	.....	.....	.....	740 06
Cullers.....	3,624 30	.....	.....	.....	3,624 30
Bill Stamps.....	10,858 39	855 00	722 00	38 00	12,473 39
Inspection of Weights and Mea- sures and Gas.....	1,710 67	101 90	117 97	39 25	1,969 79
Other Revenues.....	404 23	.....	.....	.....	404 23
<b>Total .....</b>	<b>379,610 42</b>	<b>17,865 82</b>	<b>14,418 75</b>	<b>8,677 99</b>	<b>420,572 98</b>
<b>FEBRUARY :—</b>					
Excise and Seizures .....	591,599 32	16,463 05	11,422 72	4,628 86	624,113 95
Canals.....	98 80	.....	.....	.....	98 80
Hydraulic and other Rents.....	3,981 00	.....	.....	262 50	4,243 50
Minor Public Works.....	244 59	.....	.....	.....	244 59
Slides.....	4,398 23	.....	.....	.....	4,398 23
Cullers.....	38 83	.....	.....	.....	38 83
Bill Stamps.....	20,509 12	950 00	660 25	95 00	22,214 37
Inspection of Weights and Mea- sures and Gas.....	1,474 36	86 67	85 64	111 60	1,758 27
Other Revenues.....	.....	.....	.....	.....	.....
<b>Total .....</b>	<b>622,344 25</b>	<b>17,499 72</b>	<b>12,168 61</b>	<b>5,097 96</b>	<b>657,110 54</b>

No. 14.—STATEMENT of Amounts deposited monthly to the credit of the  
Year ended 30th June;

	Ontario and Quebec.	New Brunswick.	Nova Scotia.	Other Provinces.	Total.
<b>MARCH:—</b>	\$ cts.	\$ cts.	\$ cts.	\$ cts.	\$ cts.
Excise and Seizures.....	223,533 37	13,912 58	17,728 65	7,423 00	262,597 60
Canals.....					
Hydraulic and other Rents.....	651 41			2 50	653 91
Minor Public Works.....	3,613 91				3,613 91
Slides.....	47 12				47 12
Cullers.....	685 90				685 90
Bill Stamps.....	11,295 54	888 50	454 86	95 00	12,733 90
Inspection of Weights and Mea- sures and Gas.....	1,699 28	100 85	95 72	72 10	1,967 95
Other Revenues.....					
<b>Total.....</b>	<b>241,526 53</b>	<b>14,901 93</b>	<b>18,279 23</b>	<b>7,592 60</b>	<b>282,300 29</b>
<b>APRIL:—</b>					
Excise and Seizures.....	275,164 92	18,293 44	17,554 57	7,890 04	318,902 97
Canals.....	405 17				405 17
Hydraulic and other Rents.....	1,403 00				1,403 00
Minor Public Works.....	234 34				234 34
Slides.....					
Cullers.....	402 54				402 54
Bill Stamps.....	11,075 20	595 65	1,494 15	190 00	13,355 00
Inspection of Weights and Mea- sures and Gas.....	1,749 49	52 37	91 32	133 15	2,026 33
Other Revenues.....					
<b>Total.....</b>	<b>290,434 66</b>	<b>18,941 46</b>	<b>19,140 04</b>	<b>8,213 19</b>	<b>336,729 35</b>

INLAND REVENUE DEPARTMENT,  
OTTAWA, 22nd October, 1878.

Hon. the Receiver-General, on Inland Revenue Account, during the Fiscal 1878.—*Concluded.*

	Ontario and Quebec.	New Brunswick.	Nova Scotia.	Other Provinces.	Total.
	\$ cts.	\$ cts.	\$ cts.	\$ cts.	\$ cts.
<b>MAY:—</b>					
Excise and Seizures .....	337,062 88	27,909 08	21,093 95	11,563 52	397,629 43
Canals .....	32,343 58			395 70	32,343 58
Hydraulic and other Rents.....	239 00				634 70
Minor Public Works.....	241 39				241 39
Slides.....	10,980 18				10,980 18
Cullers .....	1,497 92				1,497 92
Bill Stamps.....	17,481 38	1,021 25	691 13	95 00	19,288 76
Inspection of Weights and Mea- sures and Gas.....	1,695 82	65 93	104 95	48 50	1,915 20
Other Revenues .....					
<b>Total .....</b>	<b>401,542 15</b>	<b>28,996 26</b>	<b>21,890 03</b>	<b>12,102 72</b>	<b>464,531 16</b>
<b>JUNE:—</b>					
Excise and Seizures .....	281,850 35	25,123 77	21,861 12	16,097 97	344,933 21
Canals .....	52,509 45				52,509 45
Hydraulic and other Rents.....	248 00			127 50	375 50
Minor Public Works.....	246 01				246 01
Slides.....	10,577 85				10,577 85
Cullers .....	3,265 35				3,265 35
Bill Stamps.....	11,568 57	760 00	912 00	95 00	13,335 57
Inspection of Weights and Mea- sures and Gas.....	2,268 08	254 71	157 48	112 95	2,793 22
Other Revenues .....	335 35				335 35
<b>Total .....</b>	<b>362,869 01</b>	<b>26,138 48</b>	<b>22,930 60</b>	<b>16,433 42</b>	<b>428,371 51</b>
<b>Grand Total .....</b>	<b>5,043,933 30</b>	<b>274,113 64</b>	<b>237,036 30</b>	<b>112,467 21</b>	<b>5,667,550 45</b>

A. BRUNEL,  
*Commissioner.*

No. 15.—COMPARATIVE Monthly

From what Source.	July.	August.	September.	October.	November.
	\$ cts.	\$ cts.	\$ cts.	\$ cts.	\$ cts.
SPIRITS ..... { 1876-77.....	164,661 55	192,709 95	215,711 74	265,367 34	289,087 23
{ 1877-78.....	200,085 37	203,825 50	242,978 34	255,797 60	340,183 47
INCREASE in 1877-78.....	35,423 82	11,115 55	27,266 60	.....	51,096 24
DECREASE in 1877-78.....	.....	.....	.....	9,569 74	.....
MALT LIQUOR..... { 1876-77.....	4,900 00	550 00	800 00	300 00	250 00
{ 1877-78.....	4,550 00	752 92	553 44	354 28	150 00
INCREASE in 1877-78.....	.....	202 92	.....	54 28	.....
DECREASE in 1877-78.....	350 00	.....	246 56	.....	100 00
MALT ..... { 1876-77.....	8,260 60	11,968 28	24 140 71	34,381 93	33,487 92
{ 1877-78.....	19,139 40	20,421 72	28,799 84	57,908 60	60,184 82
INCREASE in 1877-78.....	10,878 80	8,453 44	4,659 13	23,526 67	26,696 90
DECREASE in 1877-78.....	.....	.....	.....	.....	.....
TOBACCO .... { 1876-77.....	108,134 56	119,501 87	144,784 61	154,329 81	155,849 47
{ 1877-78.....	113,893 16	130,016 23	145,110 23	166,013 80	152,406 51
INCREASE in 1877-78.....	5,758 60	10,514 36	325 62	11,683 99	.....
DECREASE in 1877-78.....	.....	.....	.....	.....	3,442 96
PETROLEUM ..... { 1876-77.....	14,126 10	17,375 88	32,871 51	48,741 68	40,630 06
{ 1877-78.....	607 10	572 91	889 44	1,253 95	824 65
INCREASE in 1877-78.....	.....	.....	.....	.....	.....
DECREASE in 1877-78.....	13,519 00	16,802 97	31,982 07	47,487 73	39,805 41
MANUFACTURES { 1876-77.....	2,160 87	3,619 50	3,042 01	2,593 57	3,489 37
IN BOND.           { 1877-78.....	3,578 49	3,111 11	3,276 87	3,862 89	3,465 43
INCREASE in 1877-78.....	1,417 62	.....	234 86	1,270 32	.....
DECREASE in 1877-78.....	.....	508 39	.....	.....	23 94
SEIZURES..... { 1876-77.....	33 70	30 00	.....	153 96	136 42
{ 1877-78.....	100 00	722 60	325 00	139 58	47 54
INCREASE in 1877-78.....	66 30	692 60	325 00	.....	.....
DECREASE in 1877-78.....	.....	.....	.....	14 38	88 88
OTHER RECEIPTS. { 1876-77.....	952 30	488 30	500 24	546 60	542 50
{ 1877-78.....	794 00	561 82	500 00	448 00	357 25
INCREASE in 1877-78.....	.....	73 52	.....	.....	.....
DECREASE in 1877-78.....	158 30	.....	0 24	98 60	185 25
TOTAL INCREASE in 1877-78 .....	39,517 84	13,741 03	582 34	.....	34,146 70
TOTAL DECREASE in 1877-78.....	.....	.....	.....	20,635 19	.....

INLAND REVENUE DEPARTMENT,  
OTTAWA, 22nd October, 1878.

REVENUE.

Statement, 1876-77 and 1877-78.

December.	January.	February.	March.	April.	May.	June.	Total.
\$ cts.	\$ cts.	\$ cts.	\$ cts.	\$ cts.	\$ cts.	\$ cts.	\$ cts.
304,368 63	232,552 90	342,910 72	111,693 10	161,825 57	207,643 20	162,319 90	2,650,851 83
247,216 11	199,655 11	411,911 77	115,373 05	139,326 51	188,058 49	164,173 51	2,708,584 83
.....	.....	69,001 05	3,679 95	.....	.....	1,853 61	57,733 00
57,152 52	32,897 79	.....	.....	22,499 06	19,584 71	.....	.....
250 00	50 00	100 00	75 00	25 00	25 00	150 00	7,475 00
100 00	100 00	50 00	25 00	.....	.....	.....	6,635 64
.....	50 00	.....	.....	.....	.....	.....	.....
150 00	.....	50 00	50 00	25 00	25 00	150 00	839 36
33,425 75	35,708 08	59,414 53	48,172 38	44,295 32	33,554 84	22,446 82	389,257 16
57,694 42	54,958 58	53,705 69	65,780 15	57,109 39	36,397 33	26,491 80	538,591 74
24,268 67	19,250 50	.....	17,607 77	12,814 07	2,842 49	4,044 98	149,334 58
.....	.....	5,708 84	.....	.....	.....	.....	.....
122,598 99	110,057 29	267,192 57	70,361 56	108,666 90	136,167 05	132,745 16	1,630,389 84
120,133 69	106,007 50	135,532 25	96,962 36	123,612 86	161,082 11	130,731 85	1,581,502 55
.....	.....	.....	26,600 80	14,945 96	24,915 06	.....	.....
2,465 30	4,049 79	131,650 32	.....	.....	.....	2,013 31	48,887 29
26,217 62	34,014 71	17,475 21	1,712 53	1,051 49	598 38	514 19	235,329 36
686 24	345 26	369 25	227 75	208 15	243 30	241 22	6,469 22
.....	.....	.....	.....	.....	.....	.....	.....
25,531 38	33,669 45	17,105 96	1,484 78	843 34	355 08	272 97	228,860 14
1,640 57	1,247 28	1,257 76	2,671 80	1,830 69	3,742 54	2,758 61	30,053 57
2,315 26	2,273 64	2,228 99	2,831 04	3,587 62	3,642 10	2,721 01	36,894 45
.....	.....	.....	.....	.....	.....	.....	.....
674 69	1,026 36	971 23	159 24	1,756 93	.....	.....	6,840 88
.....	.....	.....	.....	.....	100 44	37 60	.....
84 21	307 00	150 16	155 38	226 49	254 13	65 35	1,596 80
243 70	118 98	824 10	269 76	675 39	134 20	333 04	3,933 89
.....	.....	.....	.....	.....	.....	.....	.....
159 49	.....	673 94	114 38	448 90	.....	267 69	2,337 09
.....	188 02	.....	.....	.....	119 93	.....	.....
496 92	483 27	320 50	360 51	322 10	405 00	252 00	5,670 24
430 50	318 50	341 60	354 00	402 50	400 00	549 50	5,457 67
.....	.....	21 10	.....	80 40	.....	297 50	.....
66 42	164 77	.....	6 51	.....	5 00	.....	212 57
.....	.....	.....	.....	.....	.....	.....	.....
60,262 77	50,642 96	83,857 80	46,620 85	6,678 86	7,567 39	3,989 90	62,533 81
.....	.....	.....	.....	.....	.....	.....	.....
Total Revenue, 1876-77							4,950,623 80
do 1877-78							4,888,069 99



No. 16.—REFUNDS, 1877-78.  
EXCISE.

Articles.	To whom paid.	Date.	Division.	Under what authority refunded.	Amount.		Total.
					\$	cts.	
Spirits.....	Gooderham & Worts .....	7th Sept., 1877 .....	Toronto.....	Duty refunded under 31st Vict., cap. 5, sec. 49.....	50	64	299 06
	Whitney, A.....	9th Oct., 1877 .....	Prescott.....	do do .....	30	22	
	Randall, Geo. & Co.....	23rd Feb., 1878 .....	Queph.....	do do .....	188	83	
	Gooderham & Worts.....	17th April, 1878.....	Toronto.....	do do .....	29	37	
Malt Liquor.....	Drewry, E. L. ....	16th July, 1877 .....	Manitoba.....	do do .....			25 00
Malt .....	Oland, Sons & Co.....	26th July, 1877 .....	Halifax.....	do do .....	247	37	15,920 27
	Gooderham & Worts .....	10th Aug., 1877 .....	Toronto.....	do do .....	1,812	08	
	Cunio, N.....	14th Aug., 1877 .....	British Columbia	under O. C., 25th July, 1877 .....	50	00	
	Stuart & Keast.....	4th Sept., 1877 .....	do .....	under 31st Vict., cap. 5, sec. 49.....	117	00	
	Wood, C. H.....	8th Sept., 1877 .....	Windsor.....	do do .....	125	62	
	Oland, J. C.....	14th Sept., 1877 .....	Halifax.....	do do .....	372	71	
	Gooderham & Worts .....	28th Sept., 1877 .....	Toronto.....	do do .....	149	43	
	Oland, J. C.....	25th Oct., 1877 .....	Halifax.....	do do .....	451	00	
	Keith & Son.....	do .....	do .....	cap. 8, sec. 109.....	3,157	21	
	Winslow & Ambrose.....	15th Nov., 1877 .....	Cobourg.....	do do .....	150	00	
	Calcutt, H.....	28th Nov., 1877 .....	Peterborough.....	do do .....	150	00	
	Oland, J. C.....	27th Dec., 1877 .....	Halifax.....	do do .....	426	68	
	do .....	26th Jan., 1878.....	do .....	cap. 8, sec. 109.....	239	74	
	O'Mullin, P. & J. ....	do .....	do .....	do do .....	200	76	
	Keith, A. & Son.....	do .....	do .....	do do .....	2,196	96	
	O'Mullin, P. & J. ....	20th Feb., 1878.....	do .....	do do .....	635	80	
	Gooderham & Worts .....	23rd Feb., 1878.....	Toronto.....	do do .....	1,487	11	
	Keith & Son.....	19th Mar., 1878.....	Halifax.....	do do .....	1,065	24	
	Oland, J. C.....	do .....	do .....	cap. 5, sec. 49.....	391	82	
	Carling & Co.....	10th May, 1878.....	London.....	do do .....	173	98	
	Oland, J. C.....	21st May, 1878.....	Halifax.....	do do .....	435	36	
	Keith, D. G.....	27th May, 1878.....	do .....	do do .....	1,337	84	
	Brims, A.....	17th June, 1878.....	do .....	do do .....	46	44	
	O'Mullin, P. & J. ....	29th June, 1878.....	do .....	do do .....	497	12	

Tobacco	Wigle, T. & Son Aikens & Ward Brenner, O. E. Arcour, E. Fluke, A. G. Roman, H. Marengo, A. Story, R. Spilling, E.	18th July, 1877. 11th Dec, 1877. 7th Feb, 1878. 5th Mar., 1878. 27th May, 1878. do do 7th June, 1878. 10th June, 1878.	Windsor London do Montreal St. Catharines do do Paris. Toronto.	do do do do do do do do do	cap. 5, sec. 49. do do do do do do do do do	26 60 50 00 50 00 50 00 50 00 50 00 50 00 50 00 50 00
Petroleum	Englehart & Co.	16th July, 1877.	Hamilton	do	do	42 65
Manufactures in Bond	Taylor, Chas.	29th June, 1878.	Halifax	do	do	20 55
Seizures	Larose, O. Ironside, G. A. Assignees of C. H. Baldwin & Co. do Fortier, J. E. Gow, James. do	4th Aug., 1877. 4th Sept., 1877. 20th Oct., 1877. 14th Nov., 1877. 10th Dec, 1877. 15th Feb, 1878. 29th May, 1878.	Ottawa Algona Montreal do Quebec. Windsor. do	do do do do do do do	do do do do do do do	15 00 106 00 1,192 50 284 88 8 55 308 57 299 73
Total Excise Duties refunded						2,215 23
CANAL TOLLS, &c.						18,949 36
Welland Canal	Adams, Capt. Larkin, P. Gibney, J. C. McMullin, P.	27th Oct., 1877 9th Jan., 1878. 7th Feb, 1878. 20th April, 1878.	..... ..... ..... .....	Duty refunded under 31st Vict., cap. 5, sec. 49. do do do	do do do do	20 00 734 42 24 40 83 83
Lachine Canal	Zealand, H. Buters, D. & Co. Charlebois, W. A. Davis, W. & Sons. Adams, R. C. & Co. Bussière, F. Murphy, D.	13th July, 1877. 8th Sept., 1877. 14th Nov., 1877. 17th Nov., 1877. 10th Dec, 1877. 15th Feb, 1878. 6th Mar., 1878.	..... ..... ..... ..... ..... ..... .....	do do do do do do do	do do do do do do do	7 16 3 10 6 08 18 75 5 10 98 80 326 24

No. 16.—REFUNDS, 1877-78.—Concluded.

CANAL TOLLS, &c.—Concluded.

Articles.	To whom paid.	Date.	Division.	Under what authority refunded.	Amount.	Total.
Other St. Lawrence Canals.	Gordon, Woodward & Co	17th July, 1877		Duty refunded under 31st Vict., cap. 5, sec. 49	73 17	
	Henderson, T. R.	17th Aug, 1877		do	21 45	
	Gordon, Woodward & Co	12th Sept, 1877		do	72 82	
	do	19th Dec, 1877		do	24 84	
	McCrinnon, D. M.	27th May, 1878		do	9 39	201 67
Burlington Bay Canal.	McKay, A. D.	30th Aug, 1877		do	16 40	
	Fairgrieve, J. B.	28th Nov, 1877		do	8 16	24 56
Ottawa Canals.	McRae, J. W.	1st Sept, 1877		do	42 88	
	do	23rd Oct, 1877		do	22 43	
	McNaughton, A.	9th Nov, 1877		do	4 43	69 74
Rideau Canal.	McRae, J. W.	30th Nov, 1877		do	22 45	
	Adams, K. C. & Co.	10th Dec, 1877		do	2 55	25 00
				Total Canal Tolls, &c., refunded	1,648 85	
SLIDES AND BOOMS.						
	Leitch, J. G.	10th June, 1878		Duty refunded under 31st Vict., cap. 5, sec. 49		48 52

WEIGHTS AND MEASURES.

Connolly & Co.....	8th Sept., 1877.....	.....	Duty refunded under 31st Vict, cap. 5, sec. 49.....	91 90
The St. Thomas Block and Tackle Co.....	22nd Oct., 1877.....	.....	do do .. .. .	234 70
Wilson, C. & Son.....	17th Jan., 1878.....	.....	do do .. .. .	16 75
			Total Weights and Measures refunded.....	343 35
			Grand Total Refunds.....	20,990 08

A. BRUNEL,  
Commissioner.

INLAND REVENUE DEPARTMENT,  
OTTAWA, 22nd October, 1878.

No. 17.—DEPARTMENTAL EXPENDITURE, 1877-78.

(For Details, see Appendix B.)

DR.

CR.

Due by Sundry Persons, 1st July, 1877.	Disbursed by the Receiver General.	Deduction for Superannuation.	Total.		Salaries.	Contingencies.	Due by Sundry Persons, 30th June, 1878.	Total.
\$ cts.	\$ cts.	\$ cts.	\$ cts.		\$ cts.	\$ cts.	\$ cts.	\$ cts.
7,000 00	7,000 00		7,000 00	Minister of Inland Revenue.....	7,000 00			7,000 00
23,773 78	23,773 78	463 72	24,237 50	Departmental Officers.....	24,237 50			24,237 50
374 26	374 26		374 26	Advertising in and subscription to newspapers.....		374 26		374 26
4,333 55	4,333 55		4,350 21	Sundry persons, for additional assistance.....		4,333 55	16 66	4,350 21
552 35	552 35		552 35	Montreal and Dominion Telegraph Companies.....		552 35		552 35
622 04	622 04		622 04	Stationery Office.....		622 04		622 04
612 37	612 37		612 37	Queen's Printer.....		612 37		612 37
789 02	789 02		789 02	Sundry Persons.....		789 02		789 02
254 56	254 56		254 56	Postages.....		254 56		254 56
16 66	38,311 93	463 72	38,792 31	Totals.....	31,237 50	7,538 15	16 66	38,792 31

A. BRUNEL,  
Commissioner.

INLAND REVENUE DEPARTMENT,  
OTTAWA, 22nd October, 1878.

WEIGHTS AND MEASURES, GAS AND LAW STAMPS, 1877-78.

Cr.

No. 18.—STATEMENT showing the Amount of Revenue accrued.

Dr.

	Weights and Measures Stamps.	Gas Stamps.	Law Stamps, Supreme Court.	Total.	Weights and Measures Stamps.	Gas Stamps.	Law Stamps, Supreme Court.	Total
	\$ cts.	\$ cts.	\$ cts.	\$ cts.	\$ cts.	\$ cts.	\$ cts.	\$ cts.
To amount of Stamps destroyed, or returned by Distributors .....	7,778 55			7,778 55				
To Commission allowed .....			49 09	49 09				
To amount of Stamps remaining in hands of Distributors, 30th June 1878 .....	70,142 37	21,232 80	662 25	92,037 42				
To balance, being the Revenue accrued during 1877-78 .....	29,656 31	2,788 00	932 96	33,377 27				
Total .....	107,577 23	24,020 80	1,644 30	133,242 33				
					By amount of Stamps in hands of Distributors on 1st July, 1877 .....			
					77,351 60	20,900 80	294 30	98,546 70
					By amount of Stamps issued by the Inland Revenue Department during the year .....	30,225 63	1,350 00	31,695 63
					..... Total .....	107,577 23	1,614 30	133,242 33
					By balance, being Revenue accrued .....	29,656 31	932 96	33,377 27
					Less Refunds per Statement No. 16 .....	343 35		343 35
					Net Revenue .....	29,312 96	932 96	33,033

A. BRUNEL,  
Commissioner.

INLAND REVENUE DEPARTMENT,  
OTTAWA, 22nd October, 1878

WEIGHTS AND MEASURES' STAMPS, 1877-78.

DR. No. 19.—STAMP Distributors in account with Inland Revenue Department. CR.

Balances, 1st July, 1877.		Stamps issued to Deputy Inspectors.		Adjustment Fees and Returns R <sup>d</sup> .		Total.		Division.		Stamps destroyed or returned.		Deposited to Credit of Receiver General.		Balances, 30th June, 1878.		Total.				
\$	cts.	\$	cts.	\$	cts.	\$	cts.	\$	cts.	\$	cts.	\$	cts.	\$	cts.	\$	cts.	\$	cts.	
460	25	3	00			467	15	Algona.....	122	14	345	01	122	14	345	01	467	15	345	01
740	15	469	00			1,209	15	Brant.....	458	83	750	32	458	83	750	32	1,209	15	750	32
612	15	722	65			1,334	70	Brookville.....	931	63	403	07	931	63	403	07	1,334	70	403	07
1,500	05	1,094	40			1,500	05	Bruce.....	868	41	593	02	868	41	593	02	1,500	05	593	02
561	35	68	00			629	35	Dundas.....	307	70	307	70	307	70	307	70	629	35	307	70
101	45	419	26			981	46	Durham.....	273	49	674	67	273	49	674	67	981	46	674	67
230	85	631	50			862	35	Elgin.....	463	48	398	87	463	48	398	87	862	35	398	87
451	00	3	00			454	00	Essex.....	165	25	288	25	165	25	288	25	454	00	288	25
228	40	210	00			438	40	Glenagray.....	135	82	302	55	135	82	302	55	438	40	302	55
569	30	345	50			914	80	Grey.....	331	37	570	85	331	37	570	85	914	80	570	85
998	05	3	00			999	05	Halton.....	66	35	531	65	66	35	531	65	999	05	531	65
2,494	85	2,832	60			5,327	45	Hamilton.....	3,342	12	1,919	86	3,342	12	1,919	86	5,327	45	1,919	86
511	25	403	00			914	25	Hastings.....	227	68	686	67	227	68	686	67	914	25	686	67
927	30	3	00			930	30	Huron.....	14	90	912	80	14	90	912	80	930	30	912	80
297	10	170	00			467	10	Kent.....	207	33	269	77	207	33	269	77	467	10	269	77
981	60	303	00			1,384	60	Kingston.....	320	66	1,016	69	320	66	1,016	69	1,384	60	1,016	69
589	70	869	00	10	00	1,574	85	Lambton.....	546	02	1,028	83	546	02	1,028	83	1,574	85	1,028	83
693	95	328	00			1,073	30	Lanark.....	585	14	482	19	585	14	482	19	1,073	30	482	19
806	05	708	00			1,630	65	Lennox.....	875	97	654	68	875	97	654	68	1,630	65	654	68
707	70	1,537	12			2,282	32	London.....	728	49	948	52	728	49	948	52	2,282	32	948	52
221	30	755	00			976	30	Middlesex.....	205	90	770	40	205	90	770	40	976	30	770	40
333	35	236	00	2	00	571	35	Misskoka.....	102	83	468	52	102	83	468	52	571	35	468	52
666	50	402	85			1,069	35	Niagara.....	355	19	714	16	355	19	714	16	1,069	35	714	16
285	75	403	00			704	95	Norfolk.....	232	54	472	41	232	54	472	41	704	95	472	41
378	20	103	00			481	20	Northumberland.....	235	35	245	85	235	35	245	85	481	20	245	85
830	75	3	00			934	75	Ontario.....	88	87	845	88	88	87	845	88	934	75	845	88
919	20	129	00			1,048	20	Ottawa.....	404	45	701	30	404	45	701	30	1,048	20	701	30
330	40	441	00			1,078	40	Oxford.....	822	54	166	72	822	54	166	72	1,078	40	166	72
283	25	303	00			627	75	Peterboro'.....	87	80	519	95	87	80	519	95	627	75	519	95
387	85	196	45	5	00	589	30	Prince Edward.....	162	58	426	72	162	58	426	72	589	30	426	72
880	75	3	00			883	75	Renfrew.....	90	56	293	19	90	56	293	19	883	75	293	19
903	30	353	00			1,256	30	Simcoe.....	217	85	371	40	217	85	371	40	1,256	30	371	40
714	95	1,127	95			1,842	90	Stratford.....	646	91	552	20	646	91	552	20	1,842	90	552	20
1,560	65	1,327	00			2,972	75	Toronto.....	1,761	63	1,169	98	1,761	63	1,169	98	2,972	75	1,169	98
571	90	3	00			615	45	Victoria.....	61	67	550	78	61	67	550	78	615	45	550	78

615 75	53 45	663 40	1,330 60	Waterloo	581 40	749 20	1,290 60
487 95	206 00	206 00	693 95	Welland	391 04	302 01	693 95
683 85	703 00	703 00	1,386 85	Wellington	948 68	438 17	1,386 85
437 25	916 00	916 00	1,363 25	York	457 15	896 10	1,363 25
24,650 20	846 10	18,266 63	43,782 43	Ontario	18,710 52	24,141 13	43,782 43
532 20	3 00	3 00	535 20	Beauce	17 85	516 20	535 20
479 90	469 00	469 00	948 90	Beauharnois	114 26	491 40	948 90
434 00	3 00	3 00	437 00	Bellechasse	9 55	427 45	437 00
332 75	3 00	3 00	335 75	Berthier	61 35	269 60	335 75
703 55	3 00	3 00	706 55	Chambly	33 65	672 90	706 55
852 80	3 00	3 00	855 80	Champlain	3 95	851 65	855 80
319 05	3 00	3 00	322 05	Drummond	418 35	322 05	322 05
1,160 00	6 00	6 00	1,166 00	Gaspé	392 82	747 65	1,166 00
1,053 70	215 00	215 00	1,268 70	Hull	117 50	861 13	1,268 70
371 50	3 00	3 00	374 50	Jonville	155 30	219 95	374 50
535 50	163 00	163 00	688 50	Joliette	318 75	500 80	688 50
517 15	93 00	93 00	619 67	Kamouraska	90 95	300 85	619 60
870 00	3 00	3 00	870 00	Labrador	779 05	870 00	870 00
663 65	3 00	3 00	666 65	Laval	27 65	635 30	666 65
757 20	2 80	2 80	763 00	Lévis	72 25	690 75	763 00
503 25	219 00	103 00	825 25	Lotbinière	235 70	516 44	825 25
480 05	3 00	3 00	483 05	Missisquoi	88 05	395 00	483 05
519 40	3 00	3 00	522 40	Montmagny	67 05	455 35	522 40
7,614 55	172 10	2,347 50	10,142 15	Montreal	4 95	5,499 25	10,142 15
3,483 85	70 75	3 00	3,557 60	Quebec	360 05	3,142 90	3,557 60
627 20	143 00	143 00	770 20	Richelieu	266 77	503 13	770 20
487 75	32 25	3 00	523 00	Rimonski	127 00	396 00	523 00
369 65	68 00	68 00	437 65	Saguenay	196 06	241 69	437 65
757 00	23 00	23 00	780 00	Sherbrooke	246 79	533 21	780 00
2,218 85	2 80	3 00	2,224 65	St. Hyacinthe	139 35	920 15	2,224 65
633 35	3 00	3 00	636 35	Terrebonne	97 00	589 35	636 35
686 55	193 00	193 00	879 10	Three Rivers	335 66	555 85	879 10
28,014 40	527 70	3,858 50	32,408 60	Quebec	8,631 61	22,334 95	32,408 60
2,726 55	3 00	3 00	2,728 55	Fredericton	84 21	2,644 34	2,728 55
1,152 45	3 00	3 00	1,155 45	Kings	0 50	1,154 85	1,155 45
1,160 00	3 00	3 00	1,163 00	Moncton	43 36	1,119 65	1,163 00
			1,166 00	Northumberland		1,166 00	1,166 00
			6,281 10	Restigouche	407 47	848 32	6,281 10
			1,650 25	St. John	159 85	416 10	1,650 25
			14,144 35	Woodstock	695 38	7,349 36	14,144 35
				New Brunswick	6,058 35		



WEIGHTS AND MEASURES' STAMPS, 1877-78.—Concluded.

DR. No. 19.—STAMP Distributors in account with Inland Revenue Department.—Concluded. Cr

Balances, 1st July, 1877.		Stamps issued to Deputy Inspectors.		Adjustment of Revenue.		Total.	Division.		Stamps destroyed or returned.	Deposited to Credit of Receiver General.	Balances, 30th June, 1878.		Total.	
Stamps on hand.	Cash on hand.	\$	cts.	\$	cts.	\$	cts.		\$	cts.	Stamps on hand.	Cash on hand.	\$	cts.
1,351 45	.....	1,354 45	.....	.....	.....	1,354 45	.....	.....	.....	121 70	1,232 75	.....	1,354 45	
1,174 50	.....	1,177 50	.....	.....	.....	1,177 50	.....	.....	.....	25 05	1,152 45	.....	1,177 50	
1,283 70	47 20	1,334 90	.....	.....	.....	1,334 90	.....	.....	.....	397 21	928 46	9 23	1,334 90	
907 25	.....	910 25	.....	.....	.....	910 25	.....	.....	.....	19 97	890 28	.....	910 25	
3,491 40	.....	3,491 40	.....	.....	.....	3,491 40	.....	.....	.....	47 05	3,447 35	.....	3,494 40	
.....	.....	1,453 00	.....	.....	.....	1,453 00	.....	.....	.....	12 25	1,440 75	.....	1,453 00	
940 55	.....	955 55	.....	.....	.....	955 55	.....	.....	.....	133 82	821 73	.....	955 55	
824 20	.....	827 20	.....	.....	.....	827 20	.....	.....	.....	92 33	734 87	.....	827 20	
1,238 75	26 00	1,267 75	.....	.....	.....	1,267 75	.....	.....	.....	122 10	1,145 65	.....	1,267 75	
1,280 50	.....	1,689 50	.....	.....	.....	1,689 50	.....	.....	.....	892 41	797 09	.....	1,689 50	
12,491 30	73 20	14,464 50	.....	.....	.....	14,464 50	.....	.....	.....	1,963 89	12,591 38	9 23	14,464 50	
.....	.....	.....	.....	.....	.....	.....	.....	.....	.....	.....	.....	.....	.....	
.....	.....	583 00	.....	.....	.....	583 00	.....	.....	.....	42 30	517 50	23 20	583 00	
.....	.....	583 00	.....	.....	.....	583 00	.....	.....	.....	31 50	551 50	.....	583 00	
.....	.....	873 00	.....	.....	.....	873 00	.....	.....	.....	291 85	581 15	.....	873 00	
.....	.....	2,039 00	.....	.....	.....	2,039 00	.....	.....	.....	365 65	1,650 15	23 20	2,039 00	
1,078 35	.....	1,081 35	.....	.....	.....	1,081 35	.....	.....	.....	130 40	943 90	7 05	1,081 35	
.....	.....	1,131 50	.....	.....	.....	1,131 50	.....	.....	.....	.....	1,131 50	.....	1,131 50	
77,351 60	1,447 00	30,225 63	.....	27 50	.....	109,051 73	.....	.....	7,778 55	30,397 45	70,142 37	733 36	109,051 73	

A. BRUNEL, Commissioner.

INLAND REVENUE DEPARTMENT,  
OTTAWA, 22nd October, 1878.

GAS AND LAW STAMPS, 1977-78.

DE. No. 20.—STAMP Distributors in Account with Inland Revenue Department. CR.

Balances, 1st July, 1877.		Stamps issued to Deputy Inspectors.		Total.	Divisions.	Commission allowed to Distributor of Law Stamps.	Deposited to Credit of Receiver General.	Balances, 30th June, 1878.		Total.
Stamps on hand.	Cash on hand.	\$	cts.					Stamps on hand.	Cash on hand.	
1,137 50	7 50	1,137 50	00	1,137 50	Brantford.....	48 50	1,089 00	1,089 00	1,137 50	
1,307 50	588 50	1,515 00	200 00	1,515 00	Hamilton.....	247 25	1,261 00	1,261 00	1,515 00	
3,705 00	51 90	3,756 90	374 75	3,756 90	Ottawa.....	82 00	881 25	881 25	3,963 25	
6,738 50	58 50	6,797 00	499 50	6,797 00	Toronto.....	789 75	3,465 75	3,465 75	4,265 50	
6,031 05	38 50	6,069 55	1,074 25	6,069 55	..... Ontario.....	1,167 50	6,687 00	6,687 00	7,871 25	
1,712 25	38 50	1,750 75	625 00	1,750 75	Montreal.....	706 25	5,949 80	5,949 80	6,656 05	
7,743 30	38 50	7,781 80	625 00	7,781 80	Quebec.....	241 50	1,486 75	1,486 75	1,750 75	
1,225 00	1 50	1,226 50	250 00	1,226 50	..... Quebec.....	947 75	7,436 55	7,436 55	8,406 80	
2,380 50	1 50	2,382 00	50 00	2,382 00	Fredericton.....	69 25	1,205 75	1,205 75	1,275 00	
3,605 50	1 50	3,607 00	200 00	3,607 00	St. John.....	331 50	2,250 50	2,250 50	2,682 00	
2,345 00	29 50	2,374 50	250 00	2,374 50	..... New Brunswick.....	400 75	3,466 25	3,466 25	3,857 00	
468 50	29 50	498 00	249 50	498 00	Halifax.....	251 25	2,339 25	2,339 25	2,624 00	
2,813 50	29 50	2,843 00	249 50	2,843 00	Pictou.....	7 25	461 25	461 25	468 50	
20,900 80	128 00	21,028 80	921 25	21,028 80	..... Nova Scotia.....	268 50	2,800 50	2,800 50	3,092 50	
294 30	1,350 00	1,644 30	3,120 00	1,644 30	..... Charlottetown, P. E. Island	68 75	852 50	852 50	921 25	
			1,350 00		..... Grand Total, Gas Stamps..	2,843 25	21,232 80	21,232 80	24,148 80	
			1,350 00		..... Law Stamps .....	932 96	662 25	662 25	1,644 30	

INLAND REVENUE DEPARTMENT, OTTAWA, 22nd October, 1878.

A. BRUNEL, Commissioner.

WEIGHTS AND MEASURES, 1877-78.

No. 21.—INSPECTION DIVISIONS in account with Expenditure.

(For Details, see Appendix B.)

DR.

CR.

Balance due by sundry persons, 1st July, 1877.	Amounts received from Department to meet Expenditure.	Deducted from Salaries for Superannuation.	Balance due to sundry persons, 30th June, 1878.	Total.	Divisions.	Balance due to sundry persons, 1st July, 1877.	EXPENDITURE AUTHORIZED BY THE DEPARTMENT.						Total.
							Salaries.	Belonging Expenses.	Special Assistance.	Hent.	Travelling Expenses.	Sundries.	
681 84	\$	6 32	\$	688 16	Algona	500 00	500 00	60 00	43 40	80 61	80 61	688 16	\$
700 02	700 02	6 32	706 34	706 34	Brant	500 00	500 00	75 00	98 93	29 66	29 66	706 34	4 15
893 09	893 09	12 00	905 09	905 09	Brockville	600 00	600 00	150 00	141 43	13 66	13 66	905 09	
1,128 38	1,128 38	6 32	1,134 70	1,134 70	Bruce	500 00	500 00	117 50	200 93	316 27	316 27	1,134 70	
704 29	704 29	6 32	710 61	710 61	Dundas	500 00	500 00	90 00	116 91	3 70	3 70	710 61	
705 27	705 27	6 32	711 59	711 59	Durham	500 00	500 00	95 10	69 74	46 75	46 75	711 59	
934 18	934 18	6 32	940 50	940 50	Egmont	500 00	500 00	150 00	215 17	75 33	75 33	940 50	
172 40	172 40	6 32	222 40	222 40	Essex	500 00	500 00	120 00	45 40	7 00	7 00	222 40	50 00
656 84	656 84	6 32	689 96	689 96	Glengarry	500 00	500 00	100 00	67 00	65 85	65 85	722 85	
716 53	716 53	6 32	722 85	722 85	Grey	500 00	500 00	75 00	54 00	17 00	17 00	646 00	
639 66	639 66	6 32	616 00	616 00	Halton	500 00	500 00	250 00	.....	.....	.....	2,391 12	
2,366 64	2,366 64	34 48	2,391 12	2,391 12	Hamilton	1,900 00	1,900 00	124 00	63 25	23 00	23 00	781 25	
749 25	749 25	12 00	761 25	761 25	Hastings	600 00	600 00	68 75	.....	.....	.....	674 25	
662 25	662 25	12 00	674 25	674 25	Huron	600 00	600 00	136 00	17 30	20 94	20 94	674 25	
829 85	829 85	14 08	843 93	843 93	Kent	700 00	700 00	50 00	28 73	63 70	63 70	843 93	
796 02	796 02	6 32	802 34	802 34	Kingston	500 00	500 00	180 00	16 50	106 84	106 84	802 34	
823 12	823 12	6 32	829 44	829 44	Lambton	500 00	500 00	60 00	196 17	72 27	72 27	828 24	
883 63	883 63	6 32	889 95	889 95	Lanark	500 00	500 00	120 00	256 00	13 95	13 95	889 95	
1,029 78	1,029 78	18 40	1,048 18	1,048 18	Lennox	916 99	916 99	.....	79 17	52 02	52 02	1,048 18	
761 38	761 38	6 32	757 70	757 70	London	500 00	500 00	180 00	19 00	58 70	58 70	757 70	
641 76	641 76	6 32	648 08	648 08	Middlesex	500 00	500 00	72 00	65 31	10 74	10 74	648 08	
767 06	767 06	12 00	779 09	779 09	Muskoka	600 00	600 00	120 00	6 80	52 29	52 29	779 09	
693 97	693 97	5 80	699 77	699 77	Niagara	458 34	458 34	125 00	105 55	10 88	10 88	698 40	
692 80	692 80	6 32	698 40	698 40	Norfolk	500 00	500 00	53 00	65 00	29 90	29 90	698 40	50 00
719 73	719 73	12 00	731 73	731 73	Northumberland	600 00	600 00	80 00	14 50	37 23	37 23	731 73	
1,318 83	1,318 83	30 08	1,338 91	1,338 91	Ottawa	1,000 00	1,000 00	99 76	113 81	107 36	107 36	1,338 91	

839 15	12 00	951 15	600 00	187 50	85 75	77 80	951 15
618 29	6 32	624 60	500 00	120 00	4 60	4 60	624 60
667 52	6 32	674 14	500 00	80 00	70 00	24 14	674 14
590 58	6 32	596 90	500 00	80 00	16 80	16 80	596 90
665 35	12 00	677 35	600 00	40 00	37 35	37 35	677 35
935 37	5 70	931 07	430 01	182 40	115 29	183 37	931 07
1,922 82	32 08	1,625 00	1,600 00	25 00			1,625 00
593 93	6 32	600 25	500 00	90 00	10 25	10 25	600 25
1,004 01	12 00	1,016 01	800 00	115 00	218 82	33 19	1,016 01
665 74	6 32	673 08	500 00	50 00	108 08	13 98	672 08
1,038 95	12 00	1,050 95	600 00	120 00	150 00	180 95	1,050 95
874 65	12 00	886 65	600 00	127 50	92 50	66 65	886 65
243 43		243 43			205 41	38 02	243 43
77 30	32,734 50	33,195 14	23,525 34	4 25	3,251 45	2,117 95	33,195 14
543 68	6 32	550 00	500 00	50 00	60 40	32 84	550 00
660 24	6 32	666 56	500 00	73 32	60 40	21 50	666 56
543 18	6 32	549 50	500 00	28 00			549 50
598 92	6 32	605 24	5 0 00	80 00			605 24
651 18	6 32	667 50	500 00	71 60	74 05	11 85	667 50
587 37	6 32	593 69	500 00	80 00			593 69
606 66	6 32	654 65	500 00	99 37		23 84	654 65
968 38	6 32	972 70	500 00	60 00	301 55	61 15	972 70
1,373 50	12 32	1,385 82	974 46	4 50	236 86	58 34	1,385 82
669 73	6 32	676 05	500 00	111 66	38 35	32 71	676 05
606 91	8 44	615 35	499 95	100 00	9 25	6 15	615 35
668 28	6 32	664 60	500 00	60 59	79 71	24 30	664 60
493 68	6 32	500 00	500 00				500 00
306 22	2 46	308 68	191 48	80 00	23 90	13 30	308 68
614 17	6 32	620 49	500 00	99 99	20 50	20 50	620 49
628 98	6 32	635 30	500 00	55 00	73 10	7 20	635 30
593 18	6 32	598 50	500 00	50 00	30 00	18 50	598 50
543 68	6 32	550 00	500 00	50 00			550 00
692 18	6 32	748 50	500 00	24 00	95 20	68 40	748 50
2,735 36	48 90	2,784 26	2,442 56	12 50		29 20	2,784 26
1,841 12	31 97	1,873 09	1,600 01	300 00		70 90	1,873 09
768 06	6 32	774 38	500 00	137 50		135 58	774 38
625 18	6 32	631 50	500 00	88 00	147 15	59 23	631 50
723 06	6 32	729 37	500 00	25 00	84 00	22 50	729 37
769 35	12 00	781 35	500 00	50 00	153 15	26 23	781 35
582 17	6 32	588 49	600 00	75 00	99 60	6 75	588 49
564 93	6 32	571 25	500 00	71 32	17 17	17 17	571 25
609 83	6 32	655 63	500 00	30 06	41 25	65 33	655 63
19 13		19 13		541 58	20 00	28 72	19 13
137 47	21,575 30	21,961 58	16,808 46	17 00	1,582 72	775 42	21,961 58

WEIGHTS AND MEASURES 1877-78.—Continued.

No. 21—INSPECTION Divisions in account with Expenditure.

(For Details, see Appendix B.)

DR.

CR.

Balance due by sundry persons, 1st July, 1877.	Amounts received from Department to meet Expenditure.	Deducted from Salaries for Superannation.	Balance due by sundry persons, 30th June, 1878.	Total.	Divisions.	Balance due by sundry persons, 1st July, 1877.	EXPENDITURE AUTHORIZED BY THE DEPARTMENT.						Total.
							Salaries.	Seizure Expenses.	Special Assistance.	Rent.	Travelling Expenses.	Sundries.	
25 00	1,951 31	20 08	1,971 39	1,971 39	St. John.	1,000 00	1,000 00	795 02	125 00	105 00	51 37	1,971 39	1,971 39
25 00	724 94	9 42	759 36	759 36	Woodstock.	500 00	500 00	795 02	50 00	154 13	55 23	759 36	759 36
25 00	5,522 74	60 50	5,608 24	5,608 24	District Inspector.	3,958 26	3,958 26	795 02	395 00	285 68	174 28	5,608 24	5,608 24
50 00	647 91	6 32	654 23	654 23	Annapolis.	500 00	500 00	60 50	60 50	59 70	6 34	626 54	626 54
30 00	882 33	6 32	888 65	888 65	Cape Breton.	500 00	500 00	80 00	80 00	208 98	74 23	863 22	863 22
1,233 57	1,233 57	20 08	1,253 65	1,253 65	Guysboro'.	1,000 00	1,000 00	241 30	100 00	113 65	5 00	718 65	718 65
493 68	493 68	6 32	499 00	499 00	Halifax.	500 00	500 00	80 00	80 00	173 90	7 94	631 84	631 84
825 52	825 52	6 32	831 84	831 84	Hants.	500 00	500 00	100 00	100 00	88 75	5 12	693 87	693 87
598 42	598 42	6 32	604 74	604 74	Lunenburg.	500 00	500 00	499 92	80 00	403 99	18 50	598 42	598 42
1,012 17	1,012 17	6 32	1,018 49	1,018 49	Pictou.	500 00	500 00	42 50	42 50	22 00	50 00	1,018 49	1,018 49
80 00	7,908 27	70 64	7,958 91	7,958 91	District Inspector.	5,000 00	5,000 00	499 92	884 30	1,948 97	242 20	7,758 91	7,758 91
					Yarmouth.								
					District Inspector.								
					Nova Scotia.								

.....	672 17	4 95	.....	577 13	Kings.....	.....	390 29	.....	46 66	.....	6 14	.....	134 03	.....	577 12
.....	163 16	1 37	.....	156 53	Prince.....	.....	109 68	.....	8 45	.....	8 45	.....	38 40	.....	156 53
.....	703 37	4 39	.....	707 76	Queens.....	.....	345 45	.....	100 00	.....	33 71	.....	229 60	.....	707 76
.....	1,430 70	10 71	.....	1,441 41	P. E. Island.....	.....	845 43	.....	146 66	.....	47 80	.....	402 03	.....	1,441 41
.....	844 59	15 70	.....	860 29	Manitoba.....	.....	782 79	.....	.....	.....	.....	.....	77 50	.....	860 29
100 00	9,978 38	16 00	.....	10,094 38	General Conting'cs.....	.....	800 00	.....	.....	.....	.....	.....	5,690 38	3,604 00	10,094 38
.....	1,343 66	.....	.....	1,343 66	Queen's Printer.....	.....	.....	.....	.....	.....	.....	.....	1,343 66	.....	1,343 66
.....	149 01	.....	.....	149 01	Stationery Office.....	.....	.....	.....	.....	.....	.....	.....	149 01	.....	149 01
419 77	81,187 15	805 70	.....	82,412 62	Total.....	.....	51,720 27	21 25	2,441 02	7,019 40	6,216 12	10,972 45	4,022 13	.....	82,412 62

A. BRUNEL,  
Commissioner

INLAND REVENUE DEPARTMENT,  
OTTAWA, 22nd October, 1878.

GAS INSPECTION, 1877-78.

No. 22.—INSPECTION DISTRICTS in account with Expenditure.

DR.

(For Details, see Appendix B.)

CR.

Balances due by sundry persons, 1st July, 1877.	Amounts received from Department to meet expenditure.	Deduction from Salaries for Superannuation.	Balances due to sundry persons, 30th June, 1878.	Total.	Districts.	Balances due to sundry persons, 1st July, 1877.	EXPENDITURE AUTHORIZED BY THE DEPARTMENT.						Balances due by sundry persons, 30th June, 1878.	Total.
							Salaries.	Seizure Expenses.	Special Assistance.	Rent.	Travelling Expenses.	Sundries.		
\$	\$	\$	\$	\$		\$	\$	\$	\$	\$	\$	\$	\$	\$
77 30	77 30			77 30	Brantford		75 00					2 30		77 30
1 57	1 57			1 57	Cobourg							1 57		1 57
948 80	948 80			948 80	Hamilton		150 00							948 80
62 30	62 30			62 30	Ottawa		37 50					24 80		62 30
889 23	889 23			889 23	Port Hope									889 23
1,454 56	1,454 56			1,454 56	Toronto		1,445 12					9 44		1,454 56
3,433 76	3,433 76			3,433 76	Ontario		3,117 65	262 50	15 50			38 11		3,433 76
1,613 45	1,685 41	28 04		1,613 45	Montreal	1,400 00				5 00		34 85		1,613 45
1,316 71	1,296 63	20 08		1,316 71	Quebec	1,000 00						179 21		1,316 71
25 00	25 00			25 00	St. Hyacinthe		25 00							25 00
2,955 16	2,907 04	48 12		2,955 16	Quebec	2,400 00		311 10	25 00	5 00		214 06		2,955 16
98 88	98 88			98 88	Fredericton							98 88		98 88
90 00	90 00			90 00	Newcastle		90 00							90 00
1,150 95	1,150 95			1,150 95	St. John		1,014 40	125 00				11 55		1,150 95
1,339 83	1,339 83			1,339 83	New Brunswick		1,014 40	215 00				110 43		1,339 83

1,560 82	1,560 82	1,333 31	160 00	67 81	1,560 82
440 46	444 18	100 00	100 00	44 18	444 18
2,001 28	2,005 00	1,333 31	260 00	111 69	2,005 00
90 91	91 25	50 00		13 85	91 25
4,570 15	4,582 15	600 00		3,982 15	4,582 15
57 45	67 45			57 45	57 45
27 22	27 22			27 22	27 22
14,427 64	14,491 82	3,327 40	762 50	4,554 96	14,491 82
			20 50		

1,560 82 ... Halifax  
 444 18 ... Pictou  
 2,005 00 ... Nova Scotia  
 91 25 ... Charlottetown, P. E. I.  
 4,582 15 ... General Expenses  
 67 45 ... Queen's Printer  
 27 22 ... Stationery Office  
 14,491 82 ... Grand Total

A. BRUNEL,  
Commissioner.

INLAND REVENUE DEPARTMENT,  
OTTAWA, 22nd October, 1878.



No. 23.—STATEMENT showing the Amount Voted and the Expenditure Authorized for each Service, for 1877-78.

Expenditure authorized by the Department.	Over-Expended.	Under-Expended.	Service.	Vote.
\$ cts.	\$ cts.	\$ cts.		\$ cts.
174,272 37		15,527 63	..... Excise Salaries.....	169,800 00
32,454 51		12,545 49	..... Excise Contingencies.....	45,000 00
5,852 02	352 02		..... Preventive Service.....	5,500 00
29,847 68		5,322 32	..... Canals, Salaries and Contingencies.....	35,170 00
18,370 64		1,874 36	..... Slides and Booms Expenditure.....	20,245 00
49,940 38		31,059 62	..... Culling Timber.....	81,000 00
2,709 11		7,290 89	..... Minor Revenues.....	10,000 00
92,882 31		13,997 69	..... Weights and Measures and Gas.....	106,880 00
1,020 08	20 08		..... Inspection of Staples.....	1,000 00
2,038 28	38 28		..... Commissions to Customs Officers.....	2,000 00
24,237 50		2,730 00	..... Departmental Salaries.....	26,967 50
7,538 15		3,461 85	..... Departmental Contingencies.....	11,000 00
7,000 00			..... Minister's Salary.....	7,000 00
5,964 94		4,035 06	..... Adulteration of Food.....	10,000 00
454,127 97	410 38	97,844 91	..... Total.....	551,562 50

A. BRUNEL,  
Commissioner.

INLAND REVENUE DEPARTMENT,  
OTTAWA, 22nd October, 1878.

---

APPENDIX A.

---

STATISTICS.

---

---

## APPENDIX A.—SPIRITS.

## No. 1.—RETURN of Manufactures,

Revenue Divisions.	Quantities of Grain for distillation.	Number of Licenses issued and amount collected.	
	Lbs.	No.	Amount.
Belleville.....	1,090,880	1	\$ 250 00
Guelph.....	3,819,200	1	250 00
Perth.....	120,480	1	250 00
Prescott.....	8,699,942	1	250 00
Toronto.....	30,855,000	1	250 00
Windsor.....	23,009,400	1	250 00
Totals.....	67,594,902	6	1,500 00

INLAND REVENUE DEPARTMENT,  
OTTAWA, 22nd October, 1878.

for the Year ended 30th June, 1878.

Proof Spirits manufactured at 90c. per Gallon.		Duty collected ex- manufactory at 90c. per Gallon.		Duty accruing on Spirits Warehoused at 90c. per Gallon.		Total Duty collected ex-manu- factory and on Licenses.
Gallons.	Duty.	Gallons.	Duty.	Gallons.	Duty.	
	\$ cts.		\$ cts.		\$ cts.	\$ cts.
58,851-73	52,966 56	3,941-98	3,547 81	54,909-75	49,418 75	3,797 81
189,294-32	170,364 89	34,563-41	31,107 14	154,730-91	139,257 75	31,357 14
6,079-13	5,471 21	245-33	220 81	5,833-80	5,250 40	470 81
439,742-73	395,768 44	55,518-98	49,966 87	384,223-75	345,801 57	50,216 87
1,591,362-56	1,432,226 23	144,824-22	130,341 86	1,446,538-34	1,301,884 37	130,591 86
1,244,754-54	1,120,279 09	309,750-66	278,775 26	935,003-88	841,503 83	279,025 26
3,530,085-01	3,177,076 42	548,844-58	493,959 75	2,981,240-43	2,683,116 67	495,459 75

A. BRUNEL,  
Commissioner.

APPENDIX A.—Continued.—SPIRITS.

No. 2.—COMPARATIVE STATEMENT of Spirits

Provinces.	Grain used for Distillation.						Total Quantity of Grain used for Distillation.
	Malt.	Indian Corn.	Rye.	Wheat.	Oats.	Mill Offall.	
	Lbs.	Lbs.	Lbs.	Lbs.	Lbs.	Lbs.	Lbs.
1877.							
Ontario .....	3,013,920	54,001,943	9,659,692	1,244,970	89,347	488,423	68,498,295
						Rectifiers' License.....	
1878.							
Ontario .....	2,868,260	51,917,220	10,529,912	1,471,050	542,340	266,120	67,594,902

INLAND REVENUE DEPARTMENT,  
OTTAWA, 22nd October, 1878.

Manufactured for the Years ended 30th June, 1877 and 1878.

Number of Licenses issued and Amount collected.		Spirits manufactured at 90c. per Gallon.		Duty collected on Spirits Ex-Manufactory, at 90c. per Gallon.		Duty accruing on Spirits Warehoused, at 90c. per Gallon.		Total Duty collected on Spirits Ex-Manufactory and on Licenses.
No.	\$	Gallons.	Duty. \$ cts.	Gallons.	Duty. \$ cts.	Gallons.	Duty. \$ cts.	\$ cts.
10	2,500	3,546,877 50	3,192,189 53	722,223 67	650,000 90	2,824,653 83	2,542,188 63	652,500 90
1	250	.....	.....	.....	.....	.....	.....	250 00
11	2,750	.....	.....	.....	.....	.....	.....	652,750 90
6	1,500	3,530,085.01	3,177,076 42	548,844 58	493,959 75	2,981,240 43	2,683,116 67	495,459 75

A. BRUNEL,  
*Commissioner.*

## APPENDIX A---Continued---SPIRITS.

DR.

NO. 3---SPIRIT WAREHOUSE RETURN

Spirits remaining in Warehouse from last year.	Spirits placed in Warehouse.	Spirits received from other Divisions.	Totals.	Revenue Divisions.	Spirits entered for Consumption at 90 cents per Gallon.	
Gallons.	Gallons.	Gallons.	Gallons.		Gallons.	Duty.
					\$	cts.
2,721.55		6,577.61	9,299.16	Algoma.....	6,792.51	6,114 57
23,974.32	54,909.75	12,476.39	91,260.46	Belleville.....	42,024.36	37,821 95
2,437.38		12,605.29	15,042.67	Cobourg.....	13,013.88	11,712 78
1,478.04		6,365.67	7,843.71	Collingwood.....	6,697.81	6,028 00
488.80		5,534.91	6,023.71	Cornwall.....	5,524.57	4,972 13
3,773.81		28,342.74	32,116.55	Goderich.....	27,716.46	24,944 76
44,701.10	154,730.91		199,432.01	Guelph.....	46,963.99	42,267 52
44,361.11		187,065.09	231,426.20	Hamilton.....	68,070.99	61,264 25
14,610.37		92,429.64	107,040.01	Kingston.....	73,646.48	66,281 95
5,826.82		70,311.48	76,138.30	London.....	67,096.83	60,387 23
23,161.61		98,193.25	121,354.76	Ottawa.....	109,605.49	98,644 29
9,305.46		40,224.17	49,529.63	Paris.....	45,464.47	40,909 95
21,172.92	5,833.80	13,728.04	40,734.76	Perth.....	15,729.40	14,156 43
3,210.10		24,734.54	27,944.64	Peterborough.....	24,865.23	22,378 71
71,631.36	384,223.75	5,566.55	461,424.66	Prescott.....	26,292.78	23,663 71
1,741.14		13,931.35	15,672.49	Sarnia.....	13,367.08	12,030 02
5,241.41		25,249.29	30,490.70	St. Catharines.....	26,359.77	23,723 91
713,906.12	1,446,538.34	125,885.02	2,286,329.48	Toronto.....	413,961.22	372,565 27
230,399.00	935,003.88	13,201.28	1,178,604.16	Windsor.....	162,780.62	146,502 51
150,249.32		819,893.07	970,142.39	Montreal.....	737,630.71	663,867 64
27,961.90		236,296.87	264,258.77	Quebec.....	238,172.10	214,355 08
992.48		16,008.59	17,001.07	Sherbrooke.....	15,981.68	14,383 46
2,666.47		28,478.45	31,144.92	St. Hyacinthe.....	30,432.10	27,388 95
1,958.57		17,319.59	19,278.16	St. Johns.....	17,958.58	16,162 71
4,410.76		19,311.02	23,721.78	Three Rivers.....	20,901.69	18,810 95
329.73		1,408.20	1,737.93	Miramichi, N.B.....	1,182.82	1,064 53
61,217.51		123,910.02	185,127.53	St. John, N.B.....	110,964.49	99,867 86
				Cape Breton, N.S.....		
16,011.61		57,650.53	73,662.14	Halifax, N.S.....	55,141.36	49,627 28
340.83		697.18	1,038.01	Pictou, N.S.....	851.19	766 16
66.73		138.34	205.07	Yarmouth, N.S.....	69.78	62 80
2,116.73		16,923.81	19,040.54	Charlottetown, P. E. I.....	10,232.01	9,208 85
70.15			70.15	Summerside, P. E. I.....		
7,350.57		18,958.46	26,309.03	Manitoba.....	17,297.66	15,567 86
5,319.22		7,031.69	12,350.96	British Columbia.....	6,245.45	5,621 01
8,612.54			8,612.54	Suspense.....		
1,513,720.49	2,981,240.43	2,146,348.13	6,641,309.05		2,459,025.56	2,213,125 08

INLAND REVENUE DEPARTMENT,  
OTTAWA, 22nd October, 1878.

for the Year ended 30th June, 1878.

CR.

Spirits removed to other Divisions.	Spirits Exported	Spirits used in Bonded Factories.	Spirits written off by O.C.	Spirits remaining in Warehouse.	Totals.
Gallons.	Gallons.	Gallons.	Gallons	Gallons.	Gallons.
20,832.10				2,506.65	9,299.16
				28,404.00	91,260.46
				2,028.79	15,042.67
				1,145.90	7,843.71
				499.14	6,023.71
				4,400.09	32,116.55
128,749.97	30.98			23,687.07	199,432.01
3,279.00	121.58	128,019.01		31,935.62	231,426.20
1,154.41		20,480.23		11,758.89	107,040.01
1,527.52				7,513.95	76,138.30
				11,749.27	121,354.76
				4,075.16	49,529.63
				25,005.36	40,734.76
				3,079.41	27,944.64
320,441.46	104.19			114,586.23	461,424.66
178.13	118.51			2,008.77	15,672.49
31.05	54.00			4,045.88	30,490.70
931,954.51	134,712.11	46,373.79		759,327.85	2,286,329.48
657,322.22	28,655.93	4,367.88		325,477.51	1,178,604.16
79,925.21	296.54	10,426.11	132.33	141,731.49	970,142.39
311.67				25,775.00	264,258.77
				1,019.39	17,001.07
				712.82	31,144.92
				1,319.58	19,278.16
127.15				2,692.94	23,721.78
				555.11	1,737.93
375.39		11,603.46	20,090.23	42,093.96	185,137.63
138.34	265.75	3,475.33		14,541.36	73,562.14
				186.62	1,038.01
				135.29	205.07
			95.27	8,713.26	19,040.54
				70.15	70.15
				9,011.37	26,309.03
				6,105.51	12,350.96
				8,612.54	8,612.54
2,146,348.13	164,359.59	224,745.81	20,317.83	1,626,512.13	6,641,309.05

A. BRUNEL,  
Commissioner.



## APPENDIX A.—Continued.—SPIRITS.

## DR. No. 4.—COMPARATIVE STATEMENT of Spirit Warehouse

Spirits remaining in Warehouse from last year.	Spirits placed in Warehouse.	Spirits Re-Warehoused.	Spirits received from other Divisions.	Total.	Provinces.
Gallons.	Gallons.	Gallons.	Gallons.	Gallons.	1877.
1,070,467·97	2,824,653·83	584·80	774,089·71	4,669,796·31	.....Ontario.....
137,243·83	.....	.....	1,774,633·94	1,311,877·77	.....Quebec.....
48,619·76	.....	.....	112,320·68	160,940·44	.....New Brunswick.....
12,011·71	.....	.....	68,803·95	80,815·66	.....Nova Scotia.....
801·71	.....	.....	17,063·34	17,865·05	.....Prince Edward Island.....
5,112·98	.....	.....	12,146·54	17,259·52	.....Manitoba.....
2,528·05	.....	.....	5,901·89	8,429·94	.....British Columbia.....
1,276,786·01	2,824,653·83	584·80	2,164,960·05	6,266,984·69	
					1878.
1,232,657·86	2,981,240·43	.....	782,422·31	4,996,320·60	.....Ontario.....
188,239·50	.....	.....	1,137,307·59	1,325,547·09	.....Quebec.....
61,547·24	.....	.....	125,318·22	186,865·46	.....New Brunswick.....
16,419·17	.....	.....	58,386·05	74,805·22	.....Nova Scotia.....
2,186·88	.....	.....	16,923·81	19,110·69	.....Prince Edward Island.....
7,350·57	.....	.....	18,958·46	26,309·03	.....Manitoba.....
5,319·27	.....	.....	7,031·69	12,350·96	.....British Columbia.....
1,513,720·49	2,981,240·43	.....	2,146,348·13	6,641,309·05	

INLAND REVENUE DEPARTMENT,  
OTTAWA, 22nd October, 1878.

Returns for the Years ended 30th June, 1877 and 1878.

CR.

Spirits entered for Consumption at 90 cents per Gallon.		Spirits removed to other Divisions.	Spirits Exported.	Spirits used in Bonded Factories.	Spirits written off by Order-in-Council.	Spirits remaining in Warehouse.	Totals.
Gallons.	\$ cts.	Gallons.	Gallons.	Gallons.	Gallons.	Gallons.	Gallons.
997,648-55	897,880 15	2,101,211-22	171,331-26	166,947-42	.....	1,232,657-86	4,669,796-31
1,053,845-52	948,462 10	60,157-78	345-74	9,140-40	148-83	188,239-50	1,311,877-77
81,536-05	73,384 10	2,565-31	.....	15,291-84	.....	61,547-24	160,940-44
58,504-38	52,653 94	1,025-74	2,317-57	2,548-80	.....	16,419-17	80,815-66
15,558-74	14,002 86	.....	60-45	.....	58-98	2,186-88	17,865-05
9,908-95	8,918 15	.....	.....	.....	.....	7,350-57	17,259-52
3,110-67	2,799 63	.....	.....	.....	.....	5,319-27	8,429-94
<b>2,220,112-86</b>	<b>1,998,100 93</b>	<b>2,164,960-05</b>	<b>174,055-02</b>	<b>193,928-46</b>	<b>207-81</b>	<b>1,513,720-49</b>	<b>6,266,984-69</b>
1,195,963-94	1,076,369 94	2,065,470-37	163,797-30	199,240-91	.....	1,371,848-08	4,996,320-60
1,061,076-86	954,968 79	80,364-03	296-54	10,426-11	132-33	173,251-22	1,325,547-09
112,147-31	100,932 39	375-39	.....	11,603-46	20,090 23	42,649-07	186,865-46
56,062-33	50,456 24	138-34	265-75	3,475-33	.....	14,863-47	74,805-22
10,232-01	9,208 85	.....	.....	.....	95-27	8,783-41	19,110-69
17,297-66	15,567 86	.....	.....	.....	.....	9,011-37	26,309-03
6,245-45	5,621 01	.....	.....	.....	.....	6,105-51	12,350-96
<b>2,459,025-56</b>	<b>2,213,125 08</b>	<b>2,146,348-13</b>	<b>164,359-59</b>	<b>224,745-81</b>	<b>20,317-83</b>	<b>1,626,512-13</b>	<b>6,641,309-05</b>

Total Duties Collected, Ex-Manufactory and Ex-Warehouse.....	1877.	1878.
	\$2,648,101 83	\$2,707,084 83
	Collected on Licenses.....	1,500-00
	<u>\$2,650,851-83</u>	<u>\$2,708,584 83</u>

A. BRUNEL,  
Commissioner.

APPENDIX A.—Continued.—MALT.

No. 5.—RETURN of Malt Manufactured for the Year ended 30th June, 1878.

Inland Revenue Division.	No. of Malsters.	License Fees.	Barley used. M. cubic in.	Malt Manufactured.		Entered for Duty Ex-Manufactory.	Warehoused.	Total Duty Collected Ex-Manufactory and on Licenses.
				cubic in.	Lbs.			
Bellefleur.....	2	100	9,253	10,561	172,863	88,056	84,807	1,861 12
Cobourg.....	3	300	26,356	29,161	480,689	81,044	389,645	1,920 88
Goderich.....	7	350	32,027	35,407	577,428	71,649	505,779	1,782 98
Guelph.....	15	1,000	287,627	316,976	5,193,228	479,990	4,713,238	10,599 80
Hamilton.....	5	700	307,031	378,445	5,661,925	.....	5,661,925	700 00
Kingston.....	3	250	56,783	69,762	1,030,281	24,456	1,005,825	739 12
London.....	6	750	381,302	411,858	6,735,137	26,466	6,708,672	1,279 30
Ottawa.....	1	50	16,197	18,548	287,278	.....	287,278	50 00
Paris.....	2	250	24,241	25,489	421,440	14,556	406,884	541 12
Perrh.....	2	100	8,581	9,600	159,400	24,278	135,122	585 56
Peterborough.....	1	200	8,685	11,512	160,576	.....	160,576	200 00
Prescott.....	4	300	83,344	95,431	1,487,387	331,786	1,155,601	6,935 72
Sarnia.....	1	50	9,686	10,414	176,540	87,326	88,214	1,786 52
St. Catharines.....	2	100	37,180	42,668	699,505	125,792	573,713	2,615 81
Toronto.....	14	1,150	613,397	703,004	11,346,532	1,189,015	10,157,517	24,930 30
Windsor.....	4	575	213,435	282,726	4,043,711	12,134	4,031,577	817 68
<b>Ontario, Total.....</b>	<b>72</b>	<b>6,225</b>	<b>2,115,075</b>	<b>2,451,562</b>	<b>38,632,920</b>	<b>2,556,547</b>	<b>36,076,373</b>	<b>57,355 94</b>
Montreal.....	7	800	356,389	382,277	6,563,271	2,340,052	4,223,219	47,601 04
Quebec.....	1	100	27,310	29,654	471,367	.....	471,367	100 00
Sherbrooke.....	1	50	13,314	14,453	232,422	.....	232,422	50 00
<b>Quebec, Total.....</b>	<b>9</b>	<b>950</b>	<b>396,993</b>	<b>426,384</b>	<b>7,267,060</b>	<b>2,340,052</b>	<b>4,927,008</b>	<b>47,751 04</b>

	I	100	19,224	20,647	341,681	90,623	251,028	1,912 46
St. John, N.B.....								
Halifax, N.S. ....	4	200	47,686	53,917	825,709	660,593	165,116	13,411 86
Charlottetown, P.E.I.....	3	150	17,431	18,403	300,635	140,383	160,252	2,957 66
Winnipeg, Manitoba.....	3	150	11,255	[13,479	203,330	203,330	.....	4,216 60
Victoria, B.C.....	3	125	12,117	14,404	219,355	99,333	120,022	2,211 66
Totals.....	95	7,900	2,619,780	2,998,796	47,790,660	6,090,861	41,699,799	129,717 22

A. BRUNEL. *Commissioner.*

INLAND REVENUE DEPARTMENT,  
OTTAWA, 22nd October, 1878.

APPENDIX A.—Continued.—MALT.

No. 6.—COMPARATIVE STATEMENT of Malt manufactured for the Years ended 30th June, 1877 and 1878.

Provinces.	No. of Licenses.	License Fees.	Barley used.		Malt Manufactured.		Entered for Duty Ex-Manufactory.	Malt Warehoused.	Total Duty Collected Ex-Manufactory and on Licenses.
			M. cub. in.	M. cub. in.	M. cub. in.	Lbs.			
1877.									
Ontario.....	71	12,950	1,757,928	1,999,203	30,222,355	4,139,641	26,082,714	66,383 02	
Quebec.....	11	2,100	394,533	425,678	6,916,895	2,949,791	3,967,104	46,170 85	
New Brunswick.....	1	200	15,665	16,672	269,295	133,638	135,657	2,298 23	
Nova Scotia.....	3	500	49,769	56,291	863,006	863,006	.....	13,858 70	
Prince Edward Island.....	3	500	16,485	17,578	286,558	260,634	24,924	4,289 89	
Manitoba.....	2	350	3,684	4,546	68,948	68,948	.....	1,432 39	
British Columbia.....	5	750	23,604	28,365	429,436	294,992	134,444	4,980 55	
	96	17,350	2,261,668	2,548,333	39,055,493	8,710,650	30,344,843	139,413 64	
1878.									
Ontario.....	72	6,225	2,115,075	2,451,562	38,632,920	2,556,547	36,076,373	57,355 94	
Quebec.....	9	950	396,994	426,384	7,267,060	2,340,052	4,927,003	47,751 04	
New Brunswick.....	1	100	19,254	20,647	341,651	80,623	251,028	1,912 46	
Nova Scotia.....	4	200	47,685	53,917	825,709	680,593	165,113	13,411 86	
Prince Edward Island.....	3	150	17,431	18,403	300,635	140,383	160,251	2,957 66	
Manitoba.....	3	150	11,254	13,479	203,330	203,330	.....	4,216 60	
British Columbia.....	3	125	12,117	14,404	219,355	99,333	120,022	2,211 66	
	95	7,900	2,619,780	2,998,796	47,790,660	6,090,861	41,699,799	129,717 22	

INLAND REVENUE DEPARTMENT,  
OTTAWA, 22nd October, 1878.

A. BRUNEL,  
*Commissioner.*

No. 7.—MALT WAREHOUSE RETURN for the Year ended 30th June, 1878.

Remaining in Warehouse last year.	Placed in Warehouse.	Increases.	Placed in Warehouse from other Divisions.	Imported.	Total.	Revenue Divisions.	Entered for Consumption at 2c. per lb.		Ex-Warehoused to be Re-Warehoused elsewhere.	Ex-Warehoused for Exportation.	Remaining in Warehouse.	Total.
							Lbs.	\$ cts.				
.....	Lbs. 7,020	.....	Lbs. 7,020	.....	Lbs. 7,020	.....	Lbs. 7,020	.....	.....	.....	Lbs. 7,020	.....
102,231	84,807	.....	23,621	.....	210,659	Algonia	150,489	3,009 78	.....	.....	60,170	210,659
118,313	399,545	.....	42,120	.....	560,078	Belleville	432,841	8,656 83	.....	.....	127,237	560,078
212,839	505,779	.....	.....	.....	718,618	Cobourg	416,429	8,328 58	.....	.....	302,189	718,618
2,120,746	4,713,238	43,548	.....	.....	6,877,532	Goderich	1,786,072	35,721 44	402,399	2,773,742	1,915,319	6,877,532
1,456,228	5,661,925	150,200	.....	.....	7,268,353	Guelph	1,178,485	23,569 70	215,280	5,150,672	723,916	7,268,353
941,121	1,005,825	16,039	.....	.....	1,982,985	Hamilton	369,097	7,381 94	.....	717,677	876,211	1,982,985
1,902,286	6,708,672	118,445	.....	.....	8,729,403	Kingston	2,770,860	55,417 20	210,600	2,691,000	3,056,913	8,729,403
41,823	287,278	.....	.....	.....	329,101	London	254,803	5,096 06	.....	.....	74,298	329,101
241,932	406,884	.....	.....	.....	648,816	Ottawa	304,031	6,080 82	.....	.....	344,785	648,816
561,936	135,122	.....	11,236	.....	708,294	Paris	33,130	662 60	936	.....	674,228	708,294
93,653	160,576	.....	.....	.....	254,229	Perth	219,398	4,387 96	.....	.....	34,831	254,229
262,529	1,155,601	21,593	95,996	.....	1,535,719	Peterborough	851,041	17,020 82	82,401	161,652	440,625	1,535,719
362,673	573,713	5,360	72,739	.....	1,014,485	Prescott	623,495	12,469 90	.....	.....	390,990	1,014,485
5,083	88,214	.....	.....	.....	93,297	St. Catharines	11,583	231 66	.....	.....	81,714	93,297
4,962,421	10,157,517	61,151	168,480	.....	15,349,569	Sarnia	4,690,696	93,813 92	287,184	4,170,765	6,200,924	15,349,569
.....	.....	.....	.....	.....	.....	Toronto	.....	.....	.....	.....	.....	.....

APPENDIX A.—Continued.—MALT.

No. 7.—MALT WAREHOUSE RETURN for the Year ended 30th June, 1878.—Continued.

Remaining in Warehouse last year.	Placed in Warehouse.	Increases.	Placed in Warehouse from other Divisions.	Imported.	Total.	Revenue Divisions.		Entered for Consumption at 2c. per lb.		Ex-Warehoused to be Re-Warehoused elsewhere.	Ex-Warehoused for Exportation.	Remaining in Warehouse.	Total.
						Lbs.	Lbs.	Lbs.	\$ cts.				
1,530,468	4,031,577	23,731	117,000	.....	5,702,776	Windsor .....	13,127 28	7,020	3,503,092	1,536,300	5,702,776		
2,230,510	4,223,219	.....	116,222	.....	6,569,951	Montreal .....	75,691 50	152,433	.....	2,632,943	6,569,951		
127,437	471,367	.....	12,285	.....	611,089	Quebec.....	8,276 56	92,822	.....	104,439	611,089		
158,196	232,422	.....	.....	.....	390,618	Sherbrooke.....	5,934 08	.....	.....	93,914	390,618		
159,637	251,028	.....	315,445	.....	726,130	St. John, N.B. ....	8,068 30	24,000	.....	298,715	726,130		
82,521	165,116	.....	492,911	.....	740,548	Halifax, N.S.....	11,604 30	.....	.....	160,333	740,548		
24,924	160,252	.....	.....	.....	185,176	Charlottetown.....	737 80	.....	.....	148,286	185,176		
91,805	120,022	.....	.....	15,985	227,812	Victoria, B.C.....	3,445 30	.....	.....	55,547	227,812		
17,791,332	41,699,799	440,067	1,475,075	15,985	61,422,258		408,874 52	1,475,075	19,168,600	20,334,857	61,422,258		

A. BRUNEL,  
Commissioner.

INLAND REVENUE DEPARTMENT,  
OTTAWA, 22nd October, 1878.

APPENDIX A. Continued.—MALT.

No. 8.—COMPARATIVE STATEMENT of Malt Warehouse Returns for the Years ended 30th June, 1877 and 1878.

Remaining in Warehouse last year.	Placed in Warehouse.		Increases.	Placed in Warehouse from other Divisions.		Imported.	Total.	Province.	Consumption at 1 and 2 cts. per lb.		Ex-Warehoused elsewhere.	Ex-Warehoused for Exportation.	Free of Duty.	Remaining in Warehouse.	Total.
	Lbs.	Lbs.		Lbs.	Lbs.				Lbs.	\$ cts.					
15,630,966	26,082,714	216,702		470,283			42,400,635	1877.	14,578,492	179,346 90	1,421,543	11,481,408	2,910	14,916,282	42,400,635
3,080,408	3,967,104			183,599			7,201,108	Ontario.....	4,556,426	56,953 41	3,600	134,939		2,516,143	7,201,108
98,958	136,657			71,979			306,585	Quebec.....	146,928	2,022 27				159,657	306,585
84,400				689,321			783,721	New Brunswick.....	761,200	6,146 00				82,521	783,721
10,364	24,924						35,288	Nova Scotia.....	21,000	20 00				24,924	35,288
24,220							24,220	Prince Edward Island.....	24,220	242 20		8,364			24,220
115,986	134,444						250,440	Manitoba.....	198,635	2,012 74				91,805	250,440
19,015,309	30,344,843	216,702		1,425,143			51,001,997	British Columbia.....	20,167,901	249,843 52	1,425,143	11,614,711	2,910	17,791,332	51,001,997
14,916,282	36,076,373	440,067		538,212			51,970,934	1878.	14,755,834	295,116 68	1,205,820	19,168,600		16,840,680	51,970,934
2,516,143	4,921,008			128,507			7,571,658	Ontario.....	4,495,107	89,902 14	245,255			2,831,296	7,571,658
189,657	251,028			315,445			726,130	Quebec.....	403,415	8,068 20	24,000			293,715	726,130
82,621	165,116			492,911			740,548	New Brunswick.....	580,215	11,604 30				160,333	740,548
24,924	160,252						185,176	Nova Scotia.....	36,890	737 80				148,286	185,176
91,805	120,022						227,812	Prince Edward Island.....	172,265	3,445 30				55,547	227,812
17,791,332	41,699,799	440,067		1,475,075		15,985	61,422,258	Manitoba.....	20,447,726	408,874 52	1,475,075	19,168,600		20,334,857	61,422,258
						15,985		British Columbia.....							

1877.—Total Duty collected on Malt Ex-Warehouse and Ex-Manufacture..... \$371,907 16  
 Total Duty collected on Licenses..... 17,350 00  
 \$389,257 16

1878.—Total Duty collected on Malt Ex-Warehouse and Ex-Manufacture..... \$530,691 74  
 Total Duty collected on Licenses..... 7,900 00  
 \$538,591 74

INLAND REVENUE DEPARTMENT,  
 OTTAWA, 22nd October, 1878.  
 A. BRUNEL,  
 Commissioner.



## APPENDIX A.—Continued.—MALT LIQUOR.

No. 9.—RETURN of Malt Liquor Manufactured for the Year ended 30th June, 1878.

Revenue Divisions.	No. of Licenses issued.	License Fees.	Total Quantity of Malt used for Brewing.	Syrup.	Malt Liquor Manufactured.	Malt Liquor Exported.	Duty Collected at 8 Cents per Gallon.
		\$	Lbs.	Lbs.	Galls.	Galls.	\$ cts.
Algoma .....	2	100	17,820	.....	8,025	.....	.....
Belleville .....	4	200	247,210	.....	80,850	.....	.....
Cobourg .....	4	200	521,826	89	176,068	.....	10 64
					133	.....	
Goderich .....	11	550	755,662	.....	288,459	.....	.....
Guelph .....	16	800	2,068,094	.....	717,232	.....	.....
Hamilton .....	5	250	1,191,185	.....	437,946	.....	.....
Kingston .....	4	200	386,585	.....	128,037	.....	.....
London .....	8	400	2,916,563	.....	989,480	3,379	.....
Ottawa .....	4	200	287,081	.....	93,350	.....	.....
Paris .....	5	250	379,709	.....	121,521	.....	.....
Perth .....	1	50	57,728	.....	17,035	.....	.....
Peterborough.....	3	150	216,538	.....	70,162	.....	.....
Prescott .....	4	175	914,114	.....	296,267	.....	.....
St. Catharines .....	4	200	801,776	.....	272,955	.....	.....
Sarnia .....	1	50	131,039	.....	50,421	.....	.....
Toronto .....	14	700	4,206,026	.....	1,589,762	.....	.....
Windsor .....	7	300	148,066	.....	49,995	.....	.....
<b>Total, Ontario .....</b>	<b>97</b>	<b>4,775</b>	<b>15,199,022</b>	<b>89</b>	<b>5,387,698</b>	<b>3,379</b>	<b>10 64</b>
Montreal .....	11	550	6,282,727	.....	2,015,987	.....	.....
Quebec .....	1	50	415,259	.....	144,990	.....	.....
Sherbrooke .....	1	50	296,704	.....	98,650	.....	.....
St. Hyacinthe.....	2	100	28,299	.....	8,900	.....	.....
St. Johns, Iberville.....	2	100	23,158	.....	7,010	.....	.....
Terrebonne .....	1	50	22,448	.....	8,030	.....	.....
<b>Total, Quebec .....</b>	<b>18</b>	<b>900</b>	<b>7,068,595</b>		<b>2,283,477</b>		
St. Johns, N B.....	1	50	470,200	.....	144,000	.....	.....
Halifax, N.S. ....	5	250	1,562,812	.....	499,950	205,637	.....
Charlottetown, P.E.I.	3	150	183,589	.....	59,851	.....	.....
Winnipeg, Man.....	4	200	202,159	.....	70,213	.....	.....
Victoria, B.C.....	6	300	493,952	.....	132,886	5,364	.....
<b>Totals.....</b>	<b>134</b>	<b>6,625</b>	<b>25,180,229</b>	<b>89</b>	<b>8,578,075</b>	<b>*214,380</b>	<b>10 64</b>

\* Of this quantity exported, 138,731 gallons were used by Her Majesty's Army and Navy.

A. BRUNEL,  
Commissioner.INLAND REVENUE DEPARTMENT,  
OTTAWA, 22nd October, 1878.

## APPENDIX A ---Continued.---MALT LIQUOR.

No. 10.---COMPARATIVE STATEMENT of Malt Liquor manufactured for the Years ended 30th June, 1877 and 1878.

Provinces.	No. of Licenses issued.	License Fees.	Total Quantity of Malt used for Brewing.	Sugar, Syrup and other matter.	Total Quantity of Malt Liquor manufactured.	Total Quantity of Malt Liquor exported.	Duty Collected on Malt Liquor at 8 cents per Gallon.
		\$	Lbs.	Lbs.	Gallons.	Gallons.	\$ cts.
1877.							
Ontario.....	108	5,325	16,525,171	.....	5,628,106	5,821	.....
Quebec.....	21	1,025	8,062,318	.....	2,644,498	.....	.....
New Brunswick.....	3	150	415,268	.....	131,035	.....	.....
Nova Scotia.....	5	250	1,646,244	.....	464,789	196,391	.....
Prince Edward Island.....	3	125	278,846	.....	80,749	.....	.....
Manitoba.....	4	175	84,093	.....	30,539	.....	.....
British Columbia.....	*10	475	519,857	.....	136,542	1,404	.....
Less paid 1875-76..	154	7,525	27,471,797	.....	9,115,258	203,616	.....
	1	50					
	153	7,475					
1878.							
Ontario.....	97	4,775	15,199,022	89 Syrup	5,387,698	3,379	10 64
Quebec.....	18	900	7,068,595	.....	2,283,477	.....	.....
New Brunswick.....	1	50	470,200	.....	144,000	.....	.....
Nova Scotia.....	5	250	1,562,812	.....	499,950	205,637	.....
Prince Edward Island.....	3	150	183,589	.....	59,851	.....	.....
Manitoba.....	4	200	202,159	.....	70,213	.....	.....
British Columbia.....	6	300	493,952	.....	132,886	5,364	.....
	134	6,625	25,180,329	89 Syrup	8,578,075	214,380	10 64

\* Includes one License for 1875-76.

A. BRUNEL,  
Commissioner.INLAND REVENUE DEPARTMENT,  
OTTAWA, 22nd October, 1878.

APPENDIX A.—Continued.—TOBACCO.

No. 11.—RETURN of Manufactures

Inland Revenue Divisions.	Quantity of Materials used.				Licenses.		Tobacco.		
	Production of Canada.	Foreign Produce.	Other commodities.	Total Weight of all Materials used.	Number.	Amount.	At 20 cents per lb.	At 10 cents per lb.	Duty.
<i>Ontario.</i>	Lbs.	Lbs.	Lbs.	Lbs.		\$	Lbs.	Lbs.	\$ cts.
Belleville.....		5280	1463	6743	3	125			
Guelph.....		136907	10487	147364	7	300	60745		12149 00
Hamilton.....		1084129	65619	1149748	11	525	833870		166774 00
Kingston.....	55	10259	543	10857	2	100			
London.....		94263	3550	97816	11	525	171		34 20
Ottawa.....	805	912	156	1873	1	50	702		70 20
Paris.....		171601	6069	177670	9	450	72525		14505 00
Prescott.....		3977	588	4565	1	50	450		90 00
Sarnia.....		1895	188	2083	1	50			
St. Catharines.....	15	24722	1673	26410	5	250			
Toronto.....		356462	34704	391166	15	730	177401		35480 30
Windsor.....		100479	28023	128502	7	325	85909		17181 95
	875	1990889	153033	2144797	73	3500	1231072	702	246284 65
<i>Quebec.</i>									
Montreal.....	12422	5808306	1545789	7366517	28	1325	5292553	4618	1058972 45
Quebec.....	115	455608	65909	521632	3	150	338908		67781 60
St. Johns.....		325		325	1	50			
	12537	6264239	1611698	7888474	32	1525	5631461	4618	1126754 05
<i>Nova Scotia.</i>									
Halifax.....		447012	77311	524323	2	100	444980		88996 00
Pictou.....		94703	6684	101387	3	150	87769		17553 80
Yarmouth.....		1297		1297	1	50			
		543012	83995	627007	6	300	532749		106549 80
<i>Prince Edward Island.</i>									
Charlottetown.....		129770	4385	134155	2	100	110669		22133 80
Summerside.....									
		129770	4385	134155	2	100	110669		22133 80
<i>British Columbia.</i>									
		5817		5817	*3	100			
Total.....	13412	8933727	1853111	10800250	116	5525	7505951	5320	1501722 30

\* 1 Paid in 1877.

INLAND REVENUE DEPARTMENT,  
OTTAWA, 22nd October, 1878.

for the Year ended 30th June, 1878.

Cigars.		Snuff.		Weight entered for Consumption Ex-Factory, and Duty collected thereon, including License Fees.		Weight entered for Warehouse, and Duty accruing thereon.		Total Weight Manufactured, and Duty accruing, including License Fees.	
At 40 cents per lb.	Duty.	At 20 cents per lb.	Duty.	Weight.	Duty.	Weight.	Duty.	Weight.	Duty.
Lbs.	\$ cts.	Lbs.	\$ cts.	Lbs.	\$ cts.	Lbs.	\$ cts.	Lbs.	\$ cts.
2302 00	920 80			2302 00	1045 80			2302 00	1045 80
12983 00	5193 20			15066 00	5909 80	58662 00	11732 40	73728 00	17642 20
25310 00	10124 00			27186 00	10561 90	831994 00	166861 10	859180 00	177423 00
4183 00	1665 20			3826 00	1630 40	337 00	134 80	4163 00	1765 20
41250 50	16500 20			17851 50	7631 40	23570 00	9428 00	41421 50	17059 40
366 75	146 70			562 50	147 80	506 25	119 10	1068 75	266 90
28616 29	11447 50			22887 99	9603 60	78253 30	16798 90	101141 29	26402 50
2447 00	978 80			2897 00	1118 80			2897 00	1118 80
1005 50	402 20			1005 50	452 20			1005 50	452 20
10557 00	4222 80			9270 00	3958 00	1287 00	514 80	10557 00	4472 80
64888 00	25955 20			50208 50	16934 10	192081 00	45251 40	242289 50	62185 50
20125 59	8050 24			38651 09	11152 79	67384 25	14404 40	106035 34	25557 19
214014 63	85606 84			191714 08	70146 59	1254074 80	265244 90	1445788 88	335391 49
137722 00	55088 80	40483 1/2	8096 70	424678 00	108214 80	5050698 75	1015268 15	5475376 75	1123482 95
393 00	157 20	32464	6492 80	244371 00	49102 80	127394 00	25478 80	371765 00	74581 60
46 00	18 40			46 00	68 40			46 00	68 40
138161 00	55264 40	72947 1/2	14589 50	669095 00	157386 00	5178092 75	1040746 95	5847187 75	1198132 95
				9744 50	2048 90	435235 50	87047 10	444980 00	89096 00
				150 00		87769 00	17553 80	87769 00	17703 80
1297 00	518 80			1297 00	568 80			1297 00	568 80
1297 00	518 80			11041 50	2767 70	523004 50	104600 90	534046 00	107368 60
				58863 00	11872 60	51806 00	10361 20	110669 00	22233 80
				58863 00	11872 60	51806 00	10361 20	110669 00	22233 80
2500 25	1000 10			2500 25	1100 10			2500 25	1100 10
356972 88	142390 14	72947 1/2	14589 50	933213 83	243272 99	7006978 05	1420953 95	7940191 88	16642 6 94

A. BRUNEL,  
Commissioner.

## APPENDIX A---Continued.---TOBACCO.

## No. 12.---COMPARATIVE RETURN of Manufactures

Provinces.	Quantity of Materials used.				Licenses.		Tobacco.		
	Products of Canada.	Foreign Produce.	Other Commodities.	Total Weight.	Number.	Amount.	At 20 cents per lb.	At 10 cents per lb.	Duty.
1877.	Lbs.	Lbs.	Lbs.	Lbs.		\$	Lbs.	Lbs.	\$ cts.
Ontario .....	4	1948372	113630	2062006	66	3225	1320387½	.....	264077 50
Quebec .....	17249	6787249	1642365	8446863	29	1350	6426609	8760	1286197 80
New Brunswick .....									
Nova Scotia .....		739735	141176	880911	7	300	756465	.....	151293 00
Prince Edward Island .....		107339	4123	111453	3	100	98608	.....	19721 60
Manitoba .....									
British Columbia .....		4760		4760	5	250			
Totals.....	17253	9587446	1901294	11505993	110	5225	8602069½	8760	1721289 90
1878.									
Ontario.....	875	1990889	153033	2144797	73	3500	1231072½	702	246284 65
Quebec .....	12537	6264239	1611698	7888474	32	1525	5631461½	4618	1126754 05
New Brunswick .....									
Nova Scotia.....		543012	83995	627007	6	300	532749	.....	106549 80
Prince Edward Island.....		129670	4385	134155	2	100	110669	.....	22133 80
Manitoba .....									
British Columbia.....		5817		5817	*3	100			
Totals.....	13412	8933727	1853111	10800250	116	5525	7505951½	5320	1501722 30

\* One paid last year.

INLAND REVENUE DEPARTMENT,  
OTTAWA, 22nd October, 1878

for the Years ended 30th June, 1877 and 1878.

Cigars.		Snuff.		Entered for Consumption, including Licenses.		Entered for Warehouse.		Total Weight Manufactured, and Duty accruing.	
At 40 cents per lb.	Duty.	At 20 cents per lb.	Duty.	Weight.	Duty.	Weight.	Duty.	Weight.	Duty.
Lbs.	\$ cts.	Lbs.	\$ cts.	Lbs.	\$ cts.	Lbs.	\$ cts.	Lbs.	\$ cts.
188759-94	78303 97	.....	.....	287375-55	90815 21	1228771-89	254791 26	1516147-44	345606 47
119947-50	47979 00	62720½	12544 10	675938-00	149654 30	5942099-00	1198416 60	6618037-00	1348070 90
209-00	83 60	.....	.....	41307-00	8603 20	715367-00	143073 40	756674-00	151676 60
.....	.....	.....	.....	69024-00	13904 80	29584-00	5916 80	98608-00	19821 60
2143 75	857 50	.....	.....	2143-75	1107 50	.....	.....	2143-75	1107 50
318060-19	127224 07	62720½	12544 10	1075788 30	264085 01	7915821-89	1602198 06	8991610-19	1866283 07
214014-63	85606 84	.....	.....	191714-08	70146 59	1254074-80	265244 90	1445788-88	335391 49
138161-00	55264 40	72947½	14589 50	669095-00	157386 00	5178092-75	1040746 95	5847187-75	1198132 95
1297-00	518 80	.....	.....	11041 50	2767 70	523004-50	104600 90	534046-00	107368 60
.....	.....	.....	.....	58863-00	11872 60	51806-00	10361 20	110669-00	22233 80
2500 25	1000 10	.....	.....	2500-25	1100 10	.....	.....	2500-25	1100 10
355972-88	142390 14	72947½	14589 50	933213-83	243272 99	7006978-05	1420953 95	7940191 88	1664226 94

A. BRUNEL,  
Commissioner.

APPENDIX A.—Continued.—TOBACCO WAREHOUSE ACCOUNT.

Dr.

No. 13.—RETURN for th

Remaining in Warehouse from last year.			Placed in Warehouse.		Placed in Warehouse from other Divisions.		Total Weight to be accounted for.			Inland Revenue Divisions.
Tobacco.	Cigars.	Snuff.	Tobacco.	Cigars.	Tobacco.	Cigars.	Tobacco.	Cigars.	Snuff.	
lbs.	lbs.	lbs.	lbs.	lbs.	lbs.	lbs.	lbs.	lbs.	lbs.	
6268					19224		25492			Algoma
3626					53279		56905			Belleville
1326					517		1843			Cobourg
4847					19063		23910			Goderich
14669			58662		48954		122286			Guelph
162717	250		829682	2311 <sup>50</sup>	565956		1558355	2561 <sup>50</sup>		Hamilton
34377				337	312548		346925	337		Kingston
28463	3910			23570	339669		368032	27480		London
54943				228 <sup>25</sup>	172151		227095	228 <sup>25</sup>		Ottawa
61052	2243		278 at 10 c.	72512	5741 <sup>50</sup>		278 at 10 c.	7984 <sup>50</sup>		Paris
3099					106974		240539			Perth
2857					11557		14656			Peterboro'
3326					14719		17576			Prescott
4171					27008		30334			Sarnia
3541				1287	11331		15503			St. Catharines
180820	6400 <sup>50</sup>		157905	34176	20100		23641	1287		Toronto
					1017923		1356648	40576 <sup>2</sup>		
3112	1324 <sup>50</sup>		62746	4637 <sup>5</sup>	8584		74443	5962 <sup>64</sup>		Windsor
1140250	19122	757	5025056	25642	122707	138	6288014	44902 <sup>5</sup>	757	Montreal
102162		8329	127394		178904		409400		8392	Quebec
1189					3715		4904			Sherbrooke
					535		535			St. Hyacinthe
					2145		2145			St. Johns
1077					623		1700			Three Rivers
17308					58517		75826			Miramichi
385684					837111		1222795			St. John
9801					53738		63539			Cape Breton
259319	95		435235		351803		1046358	95		Halifax
18400			87769		12678		118847			Pictou
4121					34682		38803			Yarmouth
35728			51806		54953		142488			Charlottetown
12299					21255		33555			Summerside
98502					100480	680	198982	680		Manitoba
24528					64799		89327			British Columbia
19719							19719			Sundry Collectors
2703250	33345 <sup>21</sup>	9149	6908769	97930 <sup>50</sup>	4649109	818	14261128	132094 <sup>75</sup>	9149	
			278 at 10 c.							

INLAND REVENUE DEPARTMENT,  
OTTAWA, 22nd October, 1878.

Year ended 30th June, 1878.

Ex-Warehouse for Excise Duty.				Ex-Warehouse to be Re-Warehoused elsewhere.	Ex-Warehouse for exportation.		Remaining in Warehouse.			Total Weight accounted for.			
Tobacco, at 20c.	Cigars, at 40c.	Snuff, at 20c.	Duty.	Tobacco.	Cigars.	Tobacco.	Cigars.	Tobacco.	Cigars.	Snuff.	Tobacco.	Cigars.	Snuff.
lbs.	lbs.	lbs.	\$ cts.	lbs.	lbs.	lbs.	lbs.	lbs.	lbs.	lbs.	lbs.	lbs.	lbs.
17670			3534 00					7822			25492		
40080			8016 10					16824			56905		
1860			272 10					482			1843		
20560			4112 10					3349			23910		
68960			13792 00	22176				31150			122286		
899556	173000		162603 32	553221		1090		194487	83144		1558355	256150	
295885			59177 10	6235				44805	337		346925	337	
319522	23868		73451 70	1261				47249	3612		368032	27480	
169971	21		34002 70	3053	138			54070	69		227095	22825	
125762	61193		27690 24	64332			482	278 at 10 c.			278 at 10 c.		
13349			2669 80					50444	138225		240539	798450	
14337			2967 50	530				1307			14656		
26082			5216 40					2209			17576		
10986			2199 20					4252			30334		
20229	952		4426 70					4507			15503		
107387	36106		229217 37	132397		13044		3412	335		23641	1287	
						*8836		128496	447044		1356648	4057652	
21371	47112		6158 83	43104				9967	125138		74443	596254	
1400478	30697		292374 4	3630832	680	268172	1474	988532	1205125	757	6289014	4490225	757
239860		8392	49650 40	13546		25985		130008			409400		8392
4208			841 70					696			4904		
214			42 80					321			535		
1290			258 00					855			2145		
509			101 90					1191			1700		
54103			10820 70			757		20965			75826		
925951			137190 30	40083		3009		332231			1222795		
						*161520							
47864			9572 90			1563		14111			63539		
600467			120093 40	106992		82958	95	255940			1043358	95	
61984			12396 80	19694				37169			118847		
22809			4561 80	798				15196			38803		
79598			15919 60	9217		2480		51192			142488		
23388			4677 70	1635				853			33555		
94585			19088 05					104397	2523		198982	680	
62002	4272		12490 40			110		27115			89327		
								19719			19719		
6429383	1046324	8392	1329408 01	4649109	818	399170	2051	2613108	2459307	757	14261128	1320942	9149
						170357*		278 at 10 c.			278 at 10 c.		
						569527							

\* Written off by authority.

A. BRUNEL,  
Commissioner.



APPENDIX A.—Continued.—TOBACCO WAREHOUSE ACCOUNT.

No. 14 —COMPARATIVE STATEMENT for the

Remaining in Warehouse from last Year.			Placed in Warehouse.		Placed in Warehouse from other Divisions.		Totals.			Provinces
Tobacco.	Cigars.	Snuff.	Tobacco.	Cigars.	Tobacco.	Cigars.	Tobacco.	Cigars.	Snuff.	
Lbs.	Lbs.	Lbs.	Lbs.	Lbs.	Lbs.	Lbs.	Lbs.	Lbs.	Lbs.	1877.
569101½	122547 <sup>0</sup>	.....	1183587½	45184 <sup>39</sup>	2741164	.....	4493853	57439 <sup>09</sup>	.....	Ontario .....
1013635½	21907	15057½	5892115	49984	304507	378	7210257½	72269	15057½	Quebec .....
188430	.....	.....	715367	.....	1040461	.....	1228891	.....	.....	New Brunswick .....
180026	.....	.....	29584	.....	386655	95	1282048	95	.....	Nova Scotia .....
41998	.....	.....	.....	.....	75676	.....	147258	.....	.....	Prince Edward Island .....
52432	652½	.....	.....	.....	111782½	.....	164214½	652 <sup>23</sup>	.....	Manitoba .....
12955	.....	.....	.....	.....	56479½	.....	69434½	.....	.....	British Columbia .....
241	.....	.....	.....	.....	19478½	.....	19719½	.....	.....	Sundry Collectors .....
2058819	34814 <sup>33</sup>	15057½	7820653½	95168 <sup>29</sup>	4736203½	473	14615676	130455 <sup>12</sup>	15057½	
1878.										
573218	14128 <sup>21</sup>	.....	1181508	72288 <sup>20</sup>	2749461½	.....	4504187½	86417 <sup>51</sup>	.....	Ontario .....
1244619	19122	9149½	5152450½	25642	309630	138½	6706699½	44902 <sup>25</sup>	9149½	Quebec .....
402993	.....	.....	.....	.....	895628½	.....	1298621½	.....	.....	New Brunswick .....
291642	95	.....	523004½	.....	452901½	.....	1267548	95	.....	Nova Scotia .....
48028	.....	.....	51806	.....	76209	.....	176043	.....	.....	Prince Edward Island .....
98502½	.....	.....	.....	.....	100480	680	198982½	680	.....	Manitoba .....
24528	.....	.....	.....	.....	64799	.....	89327	.....	.....	British Columbia .....
19719½	.....	.....	.....	.....	.....	.....	19719½	.....	.....	Sundry Collectors .....
2703250	33345 <sup>11</sup>	9149½	6908769½	97930 <sup>20</sup>	4649109½	818½	14261128½	132094 <sup>79</sup>	9149½	
and 278 at 10 cts. }										

INLAND REVENUE DEPARTMENT,  
OTTAWA, 22nd October, 1878.

Years ended 30th June, 1877 and 1878.

Ex-Warehouse, for Excise Duty.			Ex-Warehouse, for Removal.		Ex-Warehouse for Exportation.		Remaining in Warehouse.			Totals.			
Tobacco, at 20 cts.	Cigars, at 40 cts.	Snuff, at 20 cts.	Duty.	Tobacco.	Cigars.	Tobacco.	Cigars.	Tobacco.	Cigars.	Snuff.	Tobacco.	Cigars.	Snuff.
Lbs.	Lbs.	Lbs.	\$ cts.	Lbs.	Lbs.	Lbs.	Lbs.	Lbs.	Lbs.	Lbs.	Lbs.	Lbs.	Lbs.
3113067½	425653½	.....	639639 61	802508	378	3926½	367	573218	141282½	.....	4493853	574390½	.....
1672853½	51942	5908	356489 10	3786576	95	1133*	.....	.....	.....	.....	.....	.....	.....
806702½	.....	.....	161340 50	9783½	.....	21794*	.....	402993	.....	.....	1228891	.....	.....
748038½	.....	.....	149607 70	132970	.....	9412	.....	291642	95	.....	1282048	95	.....
92789	.....	.....	18557 80	4366	.....	2075	.....	48028	.....	.....	147268	.....	.....
65712	6528½	.....	13403 72	.....	.....	.....	.....	98502½	.....	.....	164214½	6528½	.....
44814	.....	.....	8962 80	.....	.....	92½	.....	24528	.....	.....	69434½	.....	.....
.....	.....	.....	.....	.....	.....	.....	.....	19719½	.....	.....	19719½	.....	.....
6543777	951600½	5908	1348001 23	4736203½	473	609518½	1477	2703250	333457½	9149½	14615676	1304551½	15057½
.....	.....	.....	.....	.....	.....	22927	.....	.....	.....	.....	.....	.....	.....
.....	.....	.....	.....	.....	.....	632445½	.....	.....	.....	.....	.....	.....	.....
3050070	735080½	.....	639417 16	826310½	138½	14134½	482	604835½	1228919	.....	4504187½	864175½	.....
1646560	30697	8392	343269 20	3644378½	680	*8836*	.....	278 at 10 cts.	.....	.....	278 at 10 cts.	.....	.....
740055	.....	.....	148011 00	40083	.....	294157½	1474	1121603½	120512½	757½	6706699½	449022½	9149½
.....	.....	.....	.....	.....	.....	3766½	.....	35319½	.....	.....	1298621½	.....	.....
733124½	.....	.....	146624 90	127484½	.....	161520½	.....	.....	.....	.....	.....	.....	.....
102986½	.....	.....	20597 30	10852½	.....	84521½	95	322417½	.....	.....	1267548	95	.....
94585½	4273½	.....	19088 05	.....	.....	2480	.....	59724	.....	.....	176043	.....	.....
62002	.....	.....	12400 40	.....	.....	.....	.....	104397	2528½	.....	198982½	680	.....
.....	.....	.....	.....	.....	.....	110	.....	27215	.....	.....	89327	.....	.....
.....	.....	.....	.....	.....	.....	.....	.....	19719½	.....	.....	19719½	.....	.....
6429383½	1046324½	839½	1329408 01	4649109½	818½	399170	2051	2613108½	245930½	757½	14261128½	1320947½	9149½
.....	.....	.....	.....	.....	.....	170357*	.....	278 at 10 cts.	.....	.....	278 at 10 cts.	.....	.....
.....	.....	.....	.....	.....	.....	569527	.....	.....	.....	.....	.....	.....	.....

\* Written off by authority.

Total Excise Duty collected on Tobacco, Cigars and Snuff.

1877.—Ex-Manufactory and Ex-Warehouse, with Licenses ..... \$1,612,086 24

1878 do do do ..... 1,572,681 00

A. BRUNEL,  
Commissioner.

APPENDIX A.—Continued.—TOBACCO, RAW LEAF.

DR.

No. 15.—RETURN for the Year ended 30th June, 1878,

Remaining in Warehouse from last Year.		Placed in Warehouse.		Placed in Warehouse from other Divisions.		Total Weight to be accounted for.		Inland Revenue Divisions.
Foreign.	Canadian.	Foreign.	Canadian.	Foreign.	Canadian.	Foreign.	Canadian.	
Lbs.	Lbs.	Lbs.	Lbs.	Lbs.	Lbs.	Lbs.	Lbs.	Ontario.
709		1388½		2205		4302½		Belleville.....
		2		1888		1890		Guelph.....
		17737		8485		26222		Hamilton.....
		16802	65	637½		17439½	65	Kingston.....
1078		11875		2932		15885		London.....
		207252		1289		208541		Paris.....
		287		1133		1420		Prescott.....
		619		605		1224		Sarnia.....
122		3541				3663		St. Catharines.....
4800		117329		11841		133970		Toronto.....
	91938	12533	38600	4699		17232	130538	Windsor.....
								Quebec.
511667	34583	95220	1	7259	780	614146	35364	Montreal.....
		39998		200	1855	40198	1855	Quebec.....
		235				235		St. Johns.....
			295				205	Terrebonne.....
			31½				31½	Three Rivers.....
		2079½				2079½		British Columbia.....
518376	126521	526898	38902½	43173½	2635	1088447½	168058½	

COMPARATIVE STATEMENT for the Fiscal

								1877.	
300	75515	306144½	32140	24881		331325½	107655	Ontario.....	
681874	38876	217198	4719½	4460	17765	903532	61360½	Quebec.....	
								British Columbia.....	
682174	114391	523342½	36859½	29341	17765	1234857½	169015½		
								1878.	
6709	91938	389365½	38665	35714½		431789	130603	Ontario.....	
511667	34583	135453	237½	7459	2635	654579	37455½	Quebec.....	
		2079½				2079½		British Columbia.....	
518376	126521	526898	38902½	43173½	2635	1088447½	168058½		

INLAND REVENUE DEPARTMENT, OTTAWA, 22nd October, 1878.

and Comparative Statement for Years 1877 and 1878.

CR.

Ex-Warehouse for Duty.			Ex-Warehouse to be Re-Warehoused elsewhere.		Ex-Warehouse for Exportation, &c.		Ex-Warehouse for Re-Manufacture.		Remaining in Warehouse.		Total Weight accounted for.	
Foreign, at 20 cts.	Canadian, at 10 cts.	Duty.	Foreign.	Canadian.	Foreign.	Canadian.	Foreign.	Canadian.	Foreign.	Canadian.	Foreign.	Canadian.
Lbs.	Lbs.	\$ cts.	Lbs.	Lbs.	Lbs.	Lbs.	Lbs.	Lbs.	Lbs.	Lbs.	Lbs.	Lbs.
2		0 40	1333½				2969					4302½
254		50 80	3699		17542		1888					1890
125		25 00	5900				4727					26222
727		145 40	7061				11414½	65				17439½
35		7 00	3014		17027		6255					15885
			337				188465					208541
			619				1083					1420
118		23 60	2992				605					1224
714		142 80	4986		68193		122					3663
447	57	95 10	7774	2635	1252	*4985	51786		8291			133970
							7759			122861		17232
15	1054	108 40	5458		{ *487695 88495 }	4716	24804	13711	7679	15883	614146	35364
39998	1855	8185 10			200						40198	1855
					235						235	
	205	20 50										205
	31½	3 15										31½
71½		14 30			1065		670		273			2079½
42506½	3202½	8821 55	43173½	2635	{ 196282 *487695 }	4716 *4985	302547½	13776	16243	138744	1088447½	168058½

Years ended 30th June, 1877 and 1878.

1914	674	450 20	16189	14775	{ 69090 *23 }	*268	237400½		6709	91938	331325½	107655
85289	7955½	17853 40	13152	2990	{ 250413 *2910 }	959	40101	14873	511667	34583	903532	61360½
87203	8629½	18303 60	29341	17765	{ 319503 *2933 }	959 *268	277501½	14873	518376	126521	1234857½	169015½
2422	57	490 10	37715½	2635	106287	*4985	277073½	65	8291	122861	431789	130603
40013	3145½	8317 15	5458		{ 88930 *487695 }	4716	24804	13711	7679	15883	654579	37455½
71½		14 30			1065		670		273		2079½	
42506½	3202½	8821 55	43173½	2635	{ 196282 *487695 }	4716 *4985	302547½	13776	16243	138744	1088447½	168058½

\* Written off by authority.

A. BRUNEL. Commissioner.

APPENDIX A.—*Continued.*—PETROLEUM.

## No. 16.—RETURN of Fees for Inspection of Petroleum for the Year ended 30th June, 1878.

Inland Revenue Divisions.	Number of Packages at 3 cts. per Package.	Number of Packages at 5 cts. per Package.	Fees Collected.
			\$ cts.
Guelph.....	.....	2,141	107 05
Hamilton.....	3,154	11,504	689 82
Kingston.....	.....	556	27 80
London.....	.....	94,832	4,741 60
Paris.....	.....	1,555	77 75
Sarnia.....	.....	16,585	829 25
Toronto.....	.....	22	1 10
	3,154	127,195	6,454 37
St. John, N.B.....	.....	297	14 85
Total.....	3,154	127,492	6,469 22

## COMPARATIVE STATEMENT of Petroleum Inspection Fees for the Years ended 30th June, 1877-'78.

Years.	Provinces.	Number of Packages at $\frac{1}{2}$ c. per Gallon and 3 cts. per Package.		Number of Packages at 5 and 10 cts. per Package.	Fees Collected.
		Galls.	Pkgs.		
1877.....	Ontario.....	5,340 $\frac{1}{2}$	594	143,207	13,358 56
	Quebec.....	.....	.....	7,138	713 80
	Total.....	5,340 $\frac{1}{2}$	594	150,345	14,072 36
1878.....	Ontario.....	.....	3,154	127,195	6,454 37
	New Brunswick.....	.....	.....	297	14 85
	Total.....	.....	3,154	127,492	6,469 22

A. BRUNEL,  
*Commissioner.*

INLAND REVENUE DEPARTMENT,  
OTTAWA, 22nd October, 1878.

APPENDIX A.—Continued.—MANUFACTURES IN BOND

No. 17.—RETURN of Manufactures for the Year ended 30th June, 1878.

Revenue Divisions.	No. of Licenses.	Amount of License Fees.	Materials used.				Products of Manufactures.		Duty accruing on Goods Warehoused.
			Proof Spirits.	Beer, Wine, Vinegar, &c., &c.	Wood Naphtha.	Acetic Acid.	Vinegar at 3-6 cents per Gallon.	Methylated Spirits at 1 1/4 cts. per Gallon.	
Hamilton.....	No. 3	\$ 150	Gallons. 129,019 01	Gallons. ....	Gallons. 4,593 63	Gallons. 1,765 90	Gallons. 293,437 86	Gallons. 66,110 11	\$ cts. 19,939 44
Kingston.....	1	50	20,480 23	5,316 00	727 85	.....	20,027 00	16,762 13	3,134 72
Toronto.....	2	100	46,373 79	71,145 00	350 00	.....	184,861 00	5,931 65	7,509 15
Windsor.....	1	50	4,367 88	.....	.....	.....	18,105 10	.....	651 78
Montreal.....	1	50	10,426 11	3,030 00	.....	Lbs. 3,694	47,826 40	.....	1,721 75
St. John, N.B.....	1	50	11,603 46	.....	.....	.....	64,315 61	.....	2,315 36
Halifax, N.S.....	1	50	3,475 33	.....	.....	.....	15,531 10	.....	559 12
Totals.....	10	500	224,745 81	79,491 00	5,671 48	1,765 90 Galls. 36,944 Lbs.	644,099 07	87,803 89	35,831 32

A. BRUNEL,  
*Commissioner.*

INLAND REVENUE DEPARTMENT,  
OTTAWA, 22nd October, 1878.

APPENDIX A.—Continued.—MANUFACTURES IN BOND.

No. 18.—COMPARATIVE STATEMENT of Manufactures for the Years ended 30th June, 1877 and 1878.

Revenue Divisions.	No. of Licenses.	Amount of License Fees.	Materials used.				Products of Manufacture.		Duty accruing on Goods Warehoused.
			Proof Spirits.	Beer, Wine, Vinegar, &c.	Other Commodities.	Other Commodities.	Vinegar at 3-6 cents per Gallon.	Methylated Spirits at 14-4 cts. per Gallon.	
1877.									
Ontario.....	7	350	166,947-42	78,588-00	5,620-00		508,210-89	54,335-15	26,119 84
Quebec.....	1	50	9,140-40	2,007-00		8,166	50,514-00		1,818 50
New Brunswick.....	1	50	15,291-84				62,833-23		2,262 00
Nova Scotia.....	2	100	2,548-80				12,777-10		459 98
1878.									
Ontario.....	11	550	193,928-46	80,595-00	5,620-00	8,166	694,335-22	54,335-15	30,660 32
Quebec.....	7	350	199,240-91	76,461-00	7,437-38		516,425-96	87,803-89	31,235 09
New Brunswick.....	1	50	10,426-11	3,096-00		3,694	47,826-40		1,721 75
Nova Scotia.....	1	50	11,603-46				64,315-61		2,315 36
	1	50	3,475-33				15,531-10		659 12
	10	500	224,745-81	79,491-00	7,437-38	3,694	644,099-07	87,803-89	35,831 32

A. BRUNEL,  
Commissioner.

INLAND REVENUE DEPARTMENT,  
OTTAWA, 22nd October, 1878.

APPENDIX A--Continued.--MANUFACTURES IN BOND.

DR. No. 19.—WAREHOUSE RETURN for the Year ended 30th June, 1878. CR.

Remaining in Warehouse from last year.		Warehoused.		Revenue Divisions.		Entered for Consumption.			Remaining in Warehouse.		
Vinegar.	Methylated Spirits.	Vinegar.	Methylated Spirits.			Vinegar at 3·6 cents per Gallon.	Methylated Spirits at 14·4 cents per Gallon.	Domes- tic Liquors at \$1.20 per Gallon.	Duty Collected.	Vinegar.	Methylated Spirits.
Gallons.	Gallons.	Gallons.	Gallons.	Revenue Divisions.		Gallons.	Gallons.	Gallons.	\$ cts.	Gallons.	Gallons.
36,313·14	1,634·98	293,432·86	65,110·11	...Hamilton.....		315,694·81	65,919·02	.....	20,857 16	14,051·19	828·07
12,527·00	.....	20,027·00	16,762·13	...Kingston.....		28,771·00	12,848·59	.....	2,885 86	3,783·00	3,913·54
37,086·90	.....	184,861·00	5,931·65	...Toronto.....		189,523·00	5,574·45	.....	7,625 50	32,434·00	357·20
.....	.....	18,105·10	.....	...Windsor.....		10,971·80	.....	.....	394 98	7,133·30	.....
.....	.....	47,826·40	.....	...Montreal.....		47,826·40	.....	.....	1,721 77	.....	.....
2,204·00	.....	.....	.....	...Quebec.....		237·50	.....	.....	8 55	1,966·50	.....
14,417·34	.....	64,315·61	.....	...St. John, N.B.....		62,112 95	.....	.....	2,235 95	16,620·00	.....
3,180·79	.....	15,531·10	.....	...Halifax, N.S.....		14,315·09	.....	124 38	664 68	4,396·80	.....
105,738·27	1,634·98	644,099·07	87,803·89	.....Totals.....		669,452 55	84,342·06	124 38	36,394 45	80,384·79	5,096·81

A. BRUNEL,  
Commissioner.

INLAND REVENUE DEPARTMENT,  
OTTAWA, 22nd October, 1878.



APPENDIX A.—Continued.—MANUFACTURES IN BOND.

DR.

No. 20.—COMPARATIVE WAREHOUSE RETURN

Remaining in Warehouse from last year.			Placed in Warehouse.		Vinegar received in Bond from other Divisions.	Provinces.
Vinegar.	Methylated Spirits.	Domestic Liquors.	Vinegar.	Methylated Spirits.		
Gallons.	Gallons.	Gallons.	Gallons.	Gallons.	Gallons.	1877.
69,879 56			508,210 89	54,335 15		...Ontario.....
2,204 00			50,514 00			...Quebec.....
10,289 00			62,833 23			...New Brunswick.....
		167 09	12,777 10		2,608 89	...Nova Scotia.....
82,372 56		167 09	634,335 22	54,335 15	2,608 89	
						1878.
85,936 14	1,634 98		516,425 96	87,803 89		...Ontario.....
2,204 00			47,826 40			...Quebec.....
14,417 34			64,315 61			...New Brunswick.....
3,180 79		124 38	15,531 10			...Nova Scotia.....
105,738 27	1,634 98	124 38	644,099 07	87,803 89		

INLAND REVENUE DEPARTMENT,  
OTTAWA, 22nd October, 1878.

for the Years ended 30th June, 1877 and 1878.

CR.

Entered for Consumption.				Vinegar removed in Bond to other Divisions.	Vinegar Exported.	Remaining in Warehouse.		
Vinegar at 36 cts. per Gallon.	Methylated Spirits at 14.4 cts. per Gallon.	Domestic Liquors at \$1.20 per Gall.	Duty Collected.			Vinegar.	Methylated Spirits	Domestic Liquors.
Gallon.	Gallons.	Gallons.	\$ cts.	Gallons.	Gallons.	Gallons.	Gallons.	Gallons.
489,997.64	52,700.17	.....	25,228.44	.....	2,156.67	85,936.14	1,634.98	.....
50,514.00	.....	.....	1,818.54	.....	.....	2,204.00	.....	.....
56,096.00	.....	.....	2,019.39	2,608.89	.....	14,417.34	.....	.....
10,720.80	.....	42.71	437.20	.....	1,484.40	3,180.79	.....	124.38
607,328.44	52,700.17	42.71	29,503.57	2,608.89	3,641.07	105,738.27	1,634.98	124.38
544,960.61	84,342.06	.....	31,763.50	.....	.....	57,401.49	5,096.81	.....
48,063.90	.....	.....	1,730.32	.....	.....	1,966.50	.....	.....
62,112.95	.....	.....	2,235.95	.....	.....	16,620.00	.....	.....
14,315.09	.....	124.38	664.68	.....	.....	4,396.80	.....	.....
669,452.55	84,342.06	124.38	36,394.45	.....	.....	80,384.79	5,096.81	.....

A BRUNEL,  
Commissioner.



---

---

CANALS.

---

---

APPENDIX A.—Continued.—CANALS.

No. 21.—GENERAL STATEMENT showing the Quantity of each Article transported on the Welland Canal, and the Amount of Revenue collected during the Fiscal Year ended 30th June, 1878.

Articles.	From Canadian to Canadian Ports.		From United States to United States Ports.		From United States to Canadian Ports.		Tons.		Total Tons.	Amount of Tolls. \$ cts.
	Up.	Down.	Up.	Down.	Up.	Down.	Up.	Down.		
Ashes, Pot and Pearl.....										
Apples.....		92							459	35 55
Agricultural Products not enumerated, Vegetable.....		590		320		1			653	28 03
Agricultural Products not enumerated, Animal.....		32		320		40			417	61 15
Agricultural Implements.....	6									
Barley.....	408	587		234		580		6,436	15,221	2,943 85
Bricks.....	140			18		9		64	287	44 25
Bones.....						296		296	296	59 20
Baggage.....						18		18	18	7 20
Beer.....						6		6	6	24 40
Brimstone.....						16		16	16	6 40
Cement and Water Lime.....	8					524		539	539	106 78
Clay, Lime and Sand.....	80	1,205		4		4		1,222	1,359	157 80
Coal.....	68	1,326		145,389		4,614		155,138	297,898	57,877 71
Corn.....		2 331				60,671		11	166,790	33,359 45
Cattle.....						12		12	13	2 60
Cotton, Raw.....						1		1	1	
Coffee.....	1					54		55	56	22 05
Crockery.....						36		36	36	14 40
Dye Wood and Dye Stuffs.....	10					1,230		1,240	1,240	494 25
Earthenware.....	8					46		66	79	30 90
Fish.....	7					168		1	1,157	231 40
Flax and Hemp.....						1,805		1,826	1,826	365 20
Flour.....	167	8,577				2,367		116	11,060	786 01
Furniture.....	3					72		76	103	71 55
Gypsum.....		589		266		252		1,097	1,979	131 28
Glass, Window.....	14					5		5	20	8 00
Glassware.....						87		88	101	40 40
Hay, Pressed.....						5		13	13	

Horns.....	35	18	10	60	18	10	60
Horses.....	32	57	24	14	139	24	14
Hides and Skins, Horns and Hoofs	2,725				7,335		
Ice.....	5,254				5,918		
Iron, Railway.....	2,534	310	10		3,405	1,173	10
" Pig.....	7,835	270	206		8,424	3,646	88
" All other.....	33,926				35,752	1,677	71
Iron Ore.....						1,787	60
Kryolite or Chemical Ore, and							
other Ore, except Iron.....		12	4		17	3	40
Lard and Lard Oil.....		316			636	76	45
Meats, all kinds.....		20	4		24	4	80
Meats, other than Pork.....					2,041	816	40
Marble.....	2,039				2,732	290	50
Manilla.....	686				1,855	740	95
Molasses.....	1,852				67	59	05
Nails.....	19	59	384		2,810	560	75
Oats.....	39	2,314			3,644	1,453	90
Oil, in Barrels.....	816	1,779	517		1	0	20
Oil Cake.....	2				1,342	237	60
Oil Cakes.....	177				141	4	05
Pease.....	1,145				12		
Potatoes.....	11				246	49	20
Pork.....	3				545	549	60
Paint.....	8	154	89		99	39	60
Pitch and Tar.....	79					1,322	472
Rags.....	10	201			10	42	80
Rye.....	72				2,219	443	80
Rosin.....	39	15			54	8	45
Salt.....	8,468				816	1,871	41
Stones, intended for cutting.....	208				3,926	4,134	98
" wrought.....	34	155			554	218	35
" not suitable for cutting, un-							
Seeds, all kinds.....	1,982	12,278			18,790	967	64
Sheep.....	69	136	27		232	46	08
Soda Ash.....	1				0	0	20
Steel.....	825				1,054	385	40
Sugar.....	30				31	41	12
Spirits.....	4,142				4,213	1,677	15
Tobacco, Raw.....	64	111	67		214	1,118	10
Tallow.....	8	26	2		29	5	63
Tin.....	111				111	22	20
Turpentine.....	1,222				1,271	508	40
Vinegar.....							
Wheat.....	3,062	94,266	192,263		234,577	46,635	51
White Lead.....	6	8			8	15	25
Whiting.....	3				39	7	20
Wool.....	17	222			18	222	44
	1				222		40

No. 21.—GENERAL STATEMENT showing the Quantity of each Article transported, &c.—Concluded.

Articles.	From Canadian to Canadian Ports.		From Canadian to United States Ports.		From United States to United States Ports.		From United States to Canadian Ports.		Tons.		Total Tons.	Amount of Tolls. \$ cts.
	Up.	Down.	Up.	Down.	Up.	Down.	Up.	Down.	Up.	Down.		
All other Goods and Merchandise not enumerated .....	730	49	227		9,400	531	5	51	10,382	631	10,993	4,164 35
Bark .....												
Barrels, Empty .....	93	1	130		163	20		26	386	47	433	78 66
Boat Knees .....												
Floats .....												
Firewood, in Vessels .....	4,876	42,480	840	3,670				60	5,716	46,210	51,926	2,332 39
" in Rafts .....		120								120	120	7 00
Hoops .....												
Hop Poles .....			300						300		300	36 00
Lumber, sawn, in Vessels .....	6,754	7,196	48		4	29,035		13,931	6,806	50,162	56,968	8,974 99
" in Rafts .....		13								13	13	2 40
Masts, Spars and Telegraph Poles, in Vessels .....												
Masts, Spars and Telegraph Poles, in Rafts .....												
Railway Ties, in Vessels .....	9	44										
do Rafts .....									9	44	53	6 62
Saw Logs .....		3,854							1,403	4,531	5,934	224 87
Staves and Headings, Barrel .....		50		677		63			1,403	113	1,516	17 00
" " Pipe .....		187		324		576		2,808		3,895	3,895	729 31
" " West India .....		96		307		48		1,963		2,414	2,414	451 94
Staves, Salt Barrel .....												
Shingles .....	71	31				50		17	71	98	169	62 31
Split Posts and Fence Rails, in Vessels .....												
" in Rafts .....												
Split Posts and Fence Rails, in Rafts .....												
Timber, Square, in Vessels .....	100	6,759		750		6,887		71,906		86,302	86,302	12,932 86
" in Rafts .....		156						70	100	226	326	48 02
Traverses .....										250	250	0 69

	117	327	28	28	327	173	500	159 75
Woodenware and Wood, partly manufactured .....								
Total Freight paying Tolls...	20,568	20,564	7,670	11,460	286,156	790,362	1,079,200	191,795 40
Iron, Iron Ore, &c., having paid full Toll on the St. Lawrence, Ottawa and Rideau Canals, Free Timber passed Free from Welland to Port Robinson .....	2,700	4,440			5,558		12,698	
Grand Total .....	23,268	25,094	7,670	11,460	241,714	790,362	1,091,898	
<p>Total Tolls on Vessels .....</p> <p>Passengers .....</p> <p>Free Goods .....</p> <p>Fines, Damages and other Receipts .....</p> <p>Total Revenue, exclusive of Hydraulic Rents .....</p>								
								23,937 25
								439 16
								1,347 16
								217,518 97

A. BRUNEL,  
Commissioner.

INLAND REVENUE DEPARTMENT,  
OTTAWA, 22nd October, 1878.



APPENDIX A.—Continued.—CANALS

No. 22.—GENERAL STATEMENT showing the Quantity of each Article transported on the St. Lawrence Canals, and the Amount of Revenue collected during the Fiscal Year ended 30th June, 1878.

Articles.	From Canadian to Canadian Ports.		From United States to United States Ports.		From United States to Canadian Ports.		Tons.		Total Tons.	Amount of Tolls. \$ cts.
	Up.	Down.	Up.	Down.	Up.	Down.	Up.	Down.		
Ashes, Pot and Pearl.....	7	982					12	1,218	1,230	212 10
Apples.....	91	4,999		1			91	5,009	5,100	738 08
Agricultural Products not enumerated, Vegetable.....	934	1,256					935	1,256	2,191	260 13
Agricultural Products not enumerated, Animal.....	180	989					187	989	1,176	119 05
Agricultural Implements.....	223	78					223	78	301	29 23
Barley.....	274	16,396		25			274	16,421	16,695	1,890 53
Bricks.....	2,990	243	58		150	315	3,198	568	3,756	232 78
Bones.....		57		31				30	220	21 45
Baggage.....	373	542					373	542	915	145 02
Beer.....	212	23	10				222	23	245	27 67
Brunstone.....										
Cement and Water Lime.....	545	17	10			2,357	555	2,374	2,929	355 37
Clay, Lime and Sand.....	2,442	1,149	37		2,052	369	4,551	1,518	6,049	280 80
Coal.....	59	7,240	320		15	17,043	394	24,316	24,710	3,224 63
Corn.....	593	48,015		87		277	596	48,409	49,005	6,886 27
Cattle.....	77	970					77	920	997	60 00
Cotton, Raw.....	93	3					93	3	96	7 16
Office.....	4	1			10		14	1	15	1 48
Crockery.....	689	12	1				690	12	702	135 48
Dye Wood and Dye Stuffs.....	8				71		79	1	80	5 33
Earthenware.....	417	2	17				464	2	466	87 89
Fish.....	1,825	185	265		19		2,109	185	2,294	265 01
Flax and Hemp.....	3	45			5		8	45	53	2 34
Flour.....	1,668	9,837		5			1,678	9,927	11,605	1,471 25
Furniture.....	174	80	2		12	85	177	81	258	25 30
Gypsum.....	1,351	122		1			1,351	169	1,567	82 99
Glass, Window.....	1,021		20		47		1,130		1,041	202 11
Glassware.....	106		6		18		1,130	392	1,522	102 31
Hay, Pressed.....	1,168	118					1,168	118	1,286	102 67

	1	2	3	180	181	1	180	181
Hogs.....	163	357	519	180	181	1	180	181
Horses.....	40	280	352	5	12	53	280	352
Hides and Skins, Horns and Hoofs								
Ice.....	10,489	324	.....	.....	.....	11,548	324	11,872
Iron, Railway.....	8,364	37	.....	.....	.....	9,743	37	9,780
" " Pig.....	5,396	4,618	86	.....	.....	5,730	4,677	1,296 29
" All other.....	72	166	.....	.....	.....	228	2,812	3,040
Iron Ore.....	1	.....	.....	.....	.....	1	.....	.....
Kryolite or Chemical Ore, and other Ore, except Iron.....	94	44	116	.....	.....	95	44	176 55
Lard and Lard Oil.....	389	1,109	.....	.....	.....	389	1,111	1,500
Meats, all kinds.....	15	98	.....	.....	.....	32	98	16 72
Meats, other than Pork.....	75	1	.....	.....	.....	107	1	108
Marble.....	23	34	.....	.....	.....	57	23	16 48
Manilla.....	711	31	.....	.....	.....	3,509	31	3,540
Molasses.....	3,026	22	145	.....	.....	3,319	22	3,341
Nails.....	1,878	7,677	.....	.....	.....	1,878	7,681	9,559
Oats.....	1,088	647	.....	.....	.....	1,263	649	281 45
Oil, in Barrels.....	4,407	31,313	.....	.....	.....	4,407	31,313	35,720
Oil Cake.....	369	223	.....	.....	.....	369	223	592
Pease.....	693	370	.....	.....	.....	693	384	1,077
Potatoes.....	235	13	.....	.....	.....	274	13	287
Pork.....	123	144	.....	.....	.....	1,800	156	119 13
Paint.....	751	201	.....	.....	.....	922	201	1,123
Pitch and Tar.....	44	30	.....	.....	.....	1,335	30	1,365
Rags.....	7,763	30	.....	.....	.....	9,423	177	9,600
Rye.....	16	360	.....	.....	.....	80	440	44 68
Rosin.....	5	43	.....	.....	.....	54	166	220
Salt.....	165	1,864	.....	.....	.....	165	1,864	2,029
Stone intended for cutting.....	3	26	.....	.....	.....	3	26	3 75
" wrought for cutting, unwrought.....	18	438	.....	.....	.....	18	438	32 87
Seeds, all kinds.....	910	9	.....	.....	.....	1,157	9	1,166
Sheep.....	14	196	.....	.....	.....	14	196	5 04
Soda Ash.....	1,909	19	.....	.....	.....	1,924	19	322 54
Steel.....	629	98	.....	.....	.....	720	98	818
Sugar.....	28	1	.....	.....	.....	34	1	3 23
Spirits.....	3	47	.....	.....	.....	5	47	52
Tobacco, Raw.....	446	14	.....	.....	.....	460	14	474
Tallow.....	2	8	.....	.....	.....	2	8	94 92
Tin.....	62	2	.....	.....	.....	624	2	626
Turpentine.....	26	281	.....	.....	.....	26	281	307
Vinegar.....	983	91,621	.....	.....	.....	983	92,606	93,589
Wheat.....	33	1	.....	.....	.....	36	1	37
White Lead.....	123	20	.....	.....	.....	123	20	25 38
Whiting.....	50	50	.....	.....	.....	59	59	5 00
Wool.....			.....	.....	.....			

No. 22.—GENERAL STATEMENT showing the Quantity of each Article transported, &c.—Continued.

Articles.	From Canadian to Canadian Ports.		From Canadian to United States Ports.		From United States to United States Ports.		From United States to Canadian Ports.		Tons.		Total Tons.	Amount of Tolls.
	Up.	Down.	Up.	Down.	Up.	Down.	Up.	Down.	Up.	Down.		
All other Goods and Merchandise not enumerated.....	8,468	2,014	197	150	520	645	720	12	9,905	2,821	12,726	1,820 22
Bark.....	20	.....	.....	.....	.....	.....	.....	.....	20	.....	20	0 75
Barrels, Empty.....	229	81	133	.....	.....	.....	.....	4	362	85	447	93 50
Boat Knees.....	116	.....	.....	.....	.....	.....	.....	.....	116	.....	116	2 40
Floats.....	3,414	4,796	.....	.....	.....	.....	.....	.....	4,796	.....	4,796	83 98
Firewood, in Vessels.....	.....	47,286	1,659	237	192	72	.....	.....	4,665	47,695	52,260	1,330 85
do in Rafts.....	.....	132	.....	.....	.....	.....	.....	.....	132	.....	132	2 75
Hoops.....	3	82	.....	.....	35	7	.....	.....	38	89	127	11 65
Hop Poles.....	751	.....	284	.....	.....	.....	.....	.....	1,035	.....	1,035	76 00
Lumber, Sawn, in Vessels.....	19,305	27,316	146	3,313	38	26	.....	2,320	19,489	32,975	52,464	3,173 74
do " Rafts.....	.....	16,093	.....	.....	.....	.....	.....	.....	.....	16,093	16,093	724 16
Masts, Spars and Telegraph Poles, in Vessels.....	.....	.....	.....	.....	.....	.....	.....	.....	.....	.....	.....	.....
do " Rafts.....	.....	5,152	.....	.....	.....	.....	.....	200	.....	5,352	5,352	148 80
Railway Ties, in Vessels.....	.....	.....	.....	.....	.....	.....	.....	.....	.....	.....	.....	.....
do " Rafts.....	.....	.....	.....	.....	.....	.....	.....	.....	.....	.....	.....	.....
Saw Logs.....	202	11,618	.....	.....	.....	.....	.....	.....	202	200	200	20 00
Staves and Headings, Barrel.....	.....	613	.....	.....	.....	.....	.....	.....	613	.....	613	42 25
do " Pipe.....	.....	416	.....	.....	.....	.....	.....	.....	416	.....	416	52 00
do " West India.....	.....	1,140	.....	.....	.....	.....	.....	80	.....	1,220	1,220	174 00
Staves, Salt Barrel.....	55	6	13	.....	.....	.....	.....	.....	68	6	74	11 76
Shingles.....	.....	.....	.....	.....	.....	.....	.....	.....	.....	.....	.....	.....
Split Posts and Fence Rails, in Vessels.....	.....	.....	.....	.....	.....	.....	.....	.....	.....	.....	.....	.....
do " Rafts.....	.....	.....	.....	.....	.....	.....	.....	.....	.....	.....	.....	.....
Split Posts and Fence Rails, in Rafts.....	.....	.....	.....	.....	.....	.....	.....	.....	.....	.....	.....	.....
Timber, Square, in Vessels.....	380	4,606	.....	.....	.....	.....	.....	.....	380	4,606	4,986	250 95
do " Rafts.....	70	11,938	.....	.....	.....	.....	.....	980	70	12,918	12,988	400 20
Traverses.....	.....	8,042	.....	.....	.....	.....	.....	.....	.....	8,042	8,042	23 54

Woodenware and Wood partly manufactured	325	131	6,987	4,307	956	3,768	11,028	25,575	15	325	148	471	161 20
Total Freight paying Tolls	102,394	382,847	6,987	4,307	956	3,768	11,028	25,575	15	325	148	471	161 20
Coal, Free by Order in Council	20,701				424		57,035	78,160		78,160		537,862	50,428 48
Wheat, having paid full Toll on the Welland Canal, Free.		129,524						4,868			134,392		
Corn, " " "		94,682						6,893			100,945		
Flour, " " "		4,817						56			4,873		
Pease, " " "		1,073									1,073		
Oats, " " "		192						384			486		
Barley, " " "		5,440									5,440		
Iron Ore, having paid full Toll on the Chambly Canal, Free.													
Iron, Free, as per Order in Council											2,170		
Kyrolite, Free		2,057		113				482			482		
Petroleum, Free													
Grand Total Freight	123,095	619,912	6,987	4,420	1,380	3,768	68,063	38,258	199,525	666,358	865,883		
Total Tolls on Vessels													14,921 48
Passengers													2,812 42
Free Goods													803 75
Fines and Damages													7,904 83
Wharfage and Storage													878 42
Wintorage, Basin Dues and other Receipts													\$77,749 38
Total Revenue, exclusive of Hydraulic Rents													

A. BRUNEL,  
Commissioner.

INLAND REVENUE DEPARTMENT,  
OTTAWA, 22nd October, 1878.

APPENDIX A.---Continued.---CANALS.

No. 23.---GENERAL STATEMENT showing the Quantity of each Article transported on the Burlington Bay Canal and the Amount of Revenue collected during the Fiscal Year ended 30th June, 1878.

Articles.	From Canadian to Canadian Ports.		From Canadian to United States Ports.		From United States to United States Ports.		From United States to Canadian Ports.		Tons.		Total Tons.	Amount of Tolls. \$ cts.
	Up.	Down.	Up.	Down.	Up.	Down.	Up.	Down.	Up.	Down.		
Ashes, Pot and Pearl.....	8	280		480					8	760	768	
Apples.....		324								324	324	
Agricultural Products not enumerated, Vegetable.....	54	12							54	12	66	
Agricultural Products not enumerated, Animal.....	33	14							33	14	47	
Agricultural Implements.....	2	30							2	30	32	
Barley.....	207	155		1,768					207	1,923	2,130	
Bricks.....	13		30				22		65		65	
Bones.....									64	71	135	
Baggage.....	64	71							35	7	42	
Beef.....	35	7										
Brimstone.....												
Cement and Water Lime.....									57		57	
Clay, Lime and Sand.....	2								619		619	
Coal.....	275	421					38,679		38,954	421	39,375	
Corn.....												
Cattle.....												
Cotton, Raw.....												
Coffee.....	4						27		31		31	
Crockery.....	77	3							77	3	80	
Dye, Wood and Dye Stuffs.....	2								2		2	
Earthenware.....	145								152		152	
Fish.....	251	5					2		256	5	261	
Flax and Hemp.....												
Flour.....	24	1,379							24	1,379	1,403	
Furniture.....	9	7							9	7	16	
Gypsum.....												
Glass, Window.....	267	6							268	6	274	
Glassware.....	419	391					5		424	391	815	
Hay, Pressed.....												

Hogs	41	27	1	41	27	68
Horses	2	40		2	40	42
Hides and Skins, Horns and Hoofs					810	810
Ice	5,784	1,429	18	33	1,429	7,261
Iron, Railway	3,539	20	1,320	4,859	20	4,879
"    Pig	880	7	26	883	2,151	3,031
"    All Other						
Ore						
Kryolite or Chemical Ore, and other Ore, except Iron	17	6		17	6	23
Lard and Lard Oil	46	46		2	46	46
Meals, all kinds	2	17		2	17	19
Meats, other than Pork	12	12		21	12	33
Marble						
Manilla						
Molasses	192	18	180	372	18	390
Nails	1,323	13		1,323	13	1,336
Oats						
Oil, in Barrels	100	111	16	116	111	227
Oil Cake	3			3		3
Pease	120	166	846	120	1,012	1,132
Potatoes	47	5		47	5	52
Pork	12	110		12	110	122
Paint	102	5	2	108	5	113
Pitch and Tar	6			7		7
Rags		29			29	29
Rye			243			243
Rosin	9			427		427
Salt	477		418	487		487
Stone intended for Cutting			1,686	1,686		1,686
" wrought						
" not suitable for Cutting, unwrought						
Seeds, all kinds	1	2		1	2	3
Sheep						
Soda Ash	104		58	162		162
Steel	1			1		1
Sugar	594	20	393	947	20	967
Spirits	122	9		122	9	131
Tobacco, Raw	14	14	1	15	14	29
Tallow		1			1	1
Tin	70			70		70
Turpentine	9		8	17		17
Vinegar	29	382		29	382	411
Wheat	3,107	213		3,320		3,320
White Lead	20		3	20		20
Whiting	21			24		24
Wool	13	19		13	19	32

No. 23.—GENERAL STATEMENT showing the Quantity of each Article transported, &c.—Continued.

Articles.	From Canadian to Canadian Ports.		From Canadian to United States Ports.		From United States to United States Ports.		From United States to Canadian Ports.		Tons.		Total Tons.	Amount of Tolls. \$ cts
	Up.	Down.	Up.	Down.	Up.	Down.	Up.	Down.	Up.	Down.		
All other Goods and Merchandise not enumerated.....	3,444	1,182	1				359		3,804	1,182	4,986	
Bark.....									37	1	38	
Barrels, Empty.....	37	1										
Boat Knees.....									435		435	
Floats.....	435											
Firewood, in Vessels.....												
" " in Rafts.....												
Hoops.....												
Hop Poles.....									334	421	755	
Lumber, Sawn, in Vessels.....	334	72		349								
" " in Rafts.....												
Masts, Spars and Telegraph Poles, in Vessels.....												
" " in Rafts.....												
Masts, Spars and Telegraph poles, in Rafts.....												
Railway Ties, in Vessels.....												
" " in Rafts.....												
Saw Logs.....												
Staves and Headings, Barrel.....		368								368	368	
" " Pipe.....		48								48	48	
" " West India.....												
Staves, Salt Barrel.....												
Shingles.....												
Split Posts and Fence Rails, in Vessels.....												
" " in Rafts.....												
Timber, Square, in Vessel.....		960								960	960	
" " in Rafts.....		1,540								1,540	1,540	
Traverses.....												

	75	14	66	4,709	43,946	63,815	19,759	83,574	89
Woodenware and Wood partly manufactured .....									
Total Freight Free, per O. C.	19,803	15,050	66	4,709	43,946	63,815	19,759	83,574	
Total Tolls on Vessels. ....									3,826 85

A. BRUNEL,  
*Commissioner.*

INLAND REVENUE DEPARTMENT,  
OTTAWA, 22nd October, 1878.



APPENDIX A.—Continued.—CANALS.

No. 24.—GENERAL STATEMENT showing the Quantity of each Article transported on the Ottawa Canals, and the Amount of Revenue collected during the Fiscal Year ended 30th June, 1878.

Articles.	From Canadian Ports.		From United States Ports.		From United States to Canadian Ports.		Tons.		Total Tons.	Amount of Tolls, \$ cts.
	Up.	Down.	Up.	Down.	Up.	Down.	Up.	Down.		
Ashes, Pot and Pearl		73						73	73	11 29
Apples		25						25	25	1 67
Agricultural Products not enumerated, Vegetable	5						5		86	6 47
Agricultural Products not enumerated, Animal										
Agricultural Implements	3						3		506	50 35
Barley		17		100				17	20	2 12
Bricks	11						11		837	69 18
Bones		84						84	95	2 38
Baggage	9						9		78	14 64
Beer	31						31		103	9 35
Brimstone									31	1 55
Cement and Water Lime	3	1,157					3	1,157	1,160	108 18
Clay, Lime and Sand		6,323						6,323	6,323	234 14
Coal										
Corn		1						1	1	0 07
Cattle	6						6		435	29 66
Cotton, Raw										
Coffee										
Crockery										
Dye Wood and Dye Stuffs										
Earthenware										
Fish		17						17	17	1 42
Flax and Hemp										
Flour	27						27		28	0 91
Furniture	10						10		44	5 67
Gypsum		25						25	25	2 32
Glass, Window										
Glassware		1						1	1	0 10
Hay, Pressed		80						80	80	4 30

	88	25	68	25	68	68	4 05
Hogs	265		290		265	290	17 38
Horses	34		34		34	34	2 78
Hides and Skins, Horns and Hoofs.							
Ice	3		3		3	3	0 21
Iron, Railway	54		54		54	54	4 88
" Pig	149		149		149	149	13 65
" All other	112	4	112	4	112	112	5 60
Iron Ore							
Kryolite or Chemical Ore, and other Ore, except Iron	1,119		1,119		1,119	1,119	58 50
Lard and Lard Oil	1,812		1,812		1,812	1,812	167 17
Meals, all kinds							
Meats, other than Pork							
Marble							
Manilla	1		1		1	1	0 10
Molasses							
Nails							
Oats	1,257		1,257		1,257	1,257	81 47
Oil, in Barrels	5		5		5	5	0 60
Oil Cake							
Pease	5,478		5,478		5,478	5,478	369 41
Potatoes	167		167		167	167	12 89
Pork	30		30		30	30	2 10
Paint							
Pitch and Tar	66		66		66	66	12 39
Rags	23		23		23	23	3 26
Rye	35		35		35	35	3 24
Rosin							
Salt							
Stone intended for Cutting	1,230		1,230		1,230	1,230	113 78
" wrought							
" not suitable for Cutting, unwrought							
Seeds, all kinds	20		20		20	20	1 44
Sheep	263		263		263	263	18 04
Soda Ash							
Steel							
Sugar	3		3		3	3	0 25
Spirits	1		1		1	1	0 30
Spirits	4		4		4	4	
Tobacco, Raw							
Tallow							
Tin							
Turpentine							
Vinegar							
Wheat	137		137		137	137	12 28
White Lead							
Whiting							
Wool	3		3		3	3	0 21

No. 24.—GENERAL STATEMENT showing the Quantity of each Article transported, &c.—Continued.

Articles.	From Canadian to Canadian Ports.		From United States to United States Ports.		From United States to Canadian Ports.		Tons.		Total Tons.	Amount of Tolls.
	Up.	Down.	Up.	Down.	Up.	Down.	Up.	Down.		
All other Goods and Merchandise not enumerated.....	337	284					337	284	621	\$ cis. 45 64
Bark.....		6						6	6	0 41
Barrels, Empty.....	1	95					1	95	96	13 86
Boat Knees.....		3,391						3,391	3,391	34 84
Floats.....	45	120,509					45	121,391	121,436	4,059 54
Firewood, in Vessels.....		282		882				282	282	2 82
" " Rafts.....		28						28	28	2 70
Hoops.....		28						28	28	2 90
Hop Poles.....		769						769	769	27,995 08
Lumber, Sawn, in Vessels.....		128,892		166,802				286,694	286,694	693 41
" " Rafts.....		23,293						23,293	23,293	
Masts, Spars and Telegraph Poles, in Vessels.....										
Masts, Spars and Telegraph Poles, in Rafts.....										
Railway Ties, in Vessels.....										
" " Rafts.....										
Saw Logs.....		888						888	888	22 25
Staves and Headings, Barrel.....		18						18	18	3 23
" " Pipe.....										
" " West India.....										
Staves, Salt Barrel.....		152						152	152	48 63
Shingles.....										
Split Posts and Fence Rails, in Vessels.....										
Split Posts and Fence Rails, in Rafts.....										
Timber, Square, in Vessels.....		4,949						4,949	4,949	100 46
" " Rafts.....		902						902	902	4 98
TOTALS.....										

	4	61	4	61	65	17 95
Woodenware and Wood partly manufactured.....						
Total Freight paying Tolls.....	591	306,600	591	474,384	474,975	34,527 41
Coal per Order in Council, free.....	200		200		200	
Grand Total Freight.....	791	306,600	791	474,384	475,175	
Total Tolls on Vessels.....						4,538 93
" Passengers.....						411 35
" Free Coal.....						5 00
Fines and Damages.....						8 00
Other Receipts.....						
Total Revenue from all sources.....						\$39,490 69

A. BRUNEL,  
*Commissioner.*

INLAND REVENUE DEPARTMENT,  
OTTAWA, 22nd October, 1878.

APPENDIX A.---Continued.---CANALS.

No. 25.---GENERAL STATEMENT showing the Quantity of each Article transported on the Chambly Canal, and the Amount of Revenue collected during the Fiscal Year ended 30th June, 1878.

Articles.	From Canadian to Canadian Ports.		From Canadian to United States Ports.		From United States to United States Ports.		From United States to Canadian Ports.		Tons.		Total Tons.	Amount of Tolls. \$ cis.
	Up.	Down.	Up.	Down.	Up.	Down.	Up.	Down.	Up.	Down.		
Ashes, Pot and Pearl			880					1,313	880	1,471	880	88 00
Apples		158									1,471	140 40
Agricultural Products not enumerated, Vegetable	993	211							993	211	1,204	40 17
Agricultural Products not enumerated, Animal.		99								99	99	3 30
Agricultural Implements.		446	1,498						1,498	446	1,914	124 47
Barley		389					133		389	133	522	26 28
Bricks		758							758	758	758	75 80
Bones												
Baggage												
Beer												
Brimstone												
Cement and Water Lime		66					2,488		26	2,554	2,580	235 94
Clay, Lime and Sand							84,736			84,736	84,736	8,456 51
Coal												
Corn												
Cattle			138							138	138	4 60
Cotton, Raw												
Coffee			3				13			16	16	1 60
Crockery												
Dye Wood and Dye Stuffs							74			74	74	7 40
Earthenware												
Fish			10						10	10	10	1 00
Flax and Hemp								99		99	99	9 90
Flour	206							11	206	29	235	8 47
Furniture		2						1		3	3	0 27
Gypsum												
Glass, Window			59								59	1 68
Glassware												
Hay, Pressed	1,085	210	726								1,811	1 80
											2,021	115 87

Hops	130	130	130	4 34
Horses	11	11	11	1 10
Hides and Skins, Horns and Hoofs	67	1,174	1,241	119 64
Ice	3,297	3,297	3,297	433 91
Iron, Railway	4,415	4,415	4,415	220 75
" Pig	254	254	254	12 70
" All other	6	6	6	31 52
" Ore	5	5	5	17 93
Kyrolite or Chemical Ore, and other Ore, except Iron	70	70	70	265 70
Lard and Lard Oil	2,657	2,657	2,657	182 57
Meals, all kinds	191	191	191	24 57
Meats, other than Pork	3,036	3,036	3,227	24 57
Marble	246	246	246	105 22
Manilla	3,154	3,154	3,154	0 90
Molasses	9	9	9	0 40
Nails	4	4	4	1 40
Oats	13	13	13	175 20
Oil, in Barrels	1,752	1,752	1,752	8 20
Oil Cake	82	82	82	145 60
Pease	1,456	1,456	1,456	98 30
Potatoes	262	262	1,079	97 00
Pork	817	817	970	22 22
Paint	22	22	22	8 87
Pitch and Tar	7	7	7	4 50
Rags	45	45	45	8 30
Rye	83	83	83	64 10
Rosin	641	641	641	10 71
Salt	161	161	161	10 71
Stone, intended for Cutting	161	161	161	10 71
" wrought				
" not suitable for Cutting; unwrought				
Seeds, all kinds				
Sheep				
Soda Ash				
Steel				
Sugar				
Spirits				
Tobacco, Raw				
Tallow				
Tin				
Turpentine				
Vinegar				
Wheat				
White Lead				
Whiting				
Wool				

No. 25.—GENERAL STATEMENT showing the Quantity of each Article transported, &c.—Concluded.

Articles.	From Canadian Ports.		From United States Ports.		From United States to Canadian Ports.		Tons.		Total Tons.	Amount of Tolls. \$ cts.
	Up.	Down.	Up.	Down.	Up.	Down.	Up.	Down.		
All other Goods and Merchandise not enumerated.....	897	377	589				1,486	1,658	3,144	303 91
Bark.....								91	91	13 33
Barrels, Empty.....		91								
Boat Knees.....			3,840				3,840		3,840	230 40
Floats.....							43	1,242	1,284	27 59
Firewood, in Vessels.....	42	987								
" Rafts.....										
Hoops.....										
Hop Poles.....										
Lumber, Sawm, in Vessels.....	3,488	225	38,073				41,561	228	41,789	2,424 16
" Rafts.....										
Masts, Spars, and Telegraph Poles, in Vessels.....										
Masts, Spars, and Telegraph Poles, in Rafts.....										
Railway Ties, in Vessels.....										
" Rafts.....										
Saw Logs.....										
Staves and Headings, Barrel.....										
" Pipe.....										
" West India.....										
Staves, Salt Barrel.....								2	2	0 84
Shingles.....										
Split Posts and Fence Rails, in Vessels.....	11						11	1	12	0 88
Split Posts and Fence Rails, in Rafts.....										
Timber, Square, in Vessels.....										
" Rafts.....								35	35	0 70
Traverses.....										

Woodware and Wood partly manufactured.....																				
Total Freight paying Tolls.....	8,275	10,255	46,663										103,377	64,938	118,047	172,985				14,394 94
Coal and Stone, per Order in Council, free.....	120							4,415						120	5,723	5,843				
Grand Total Freight.....	8,395	10,255	46,663					4,415					109,100	65,058	123,770	178,828				

Total Tolls on Vessels.....	2,518 08
"    Passengers.....	75 60
"    Free Coal and Stone.....	\$580 30
Wharfage and Storage.....	6 50
Fines and Damages.....	81 00
Other Receipts.....	6 30
Total Revenue from all sources.....	17,082 42

A. BRUNEL, *Commissioner.*

INLAND REVENUE DEPARTMENT,  
OTTAWA, 22nd October, 1878.



APPENDIX A.—Continued.—CANALS.

No. 26.—GENERAL STATEMENT showing the Quantity of each Article transported on the Rideau Canal, and the Amount of Revenue collected during the Fiscal Year ended 30th June, 1878.

Articles.	From Canadian to Canadian Ports.		From Canadian to United States Ports.		From United States to United States Ports.		From United States to Canadian Ports.		Tons.		Total Tons.	Amount of Tolls. \$ cts
	Up.	Down.	Up.	Down.	Up.	Down.	Up.	Down.	Up.	Down.		
Ashes, Pot and Pearl.	2	52							2	52	54	10 31
Apples	27	4							27	4	31	0 79
Agricultural Products not enumerated, Vegetable	230	153							230	153	383	29 77
Agricultural Products not enumerated, Animal	310	910							310	910	1,220	83 75
Agricultural Implements.	3	82							3	82	85	12 78
Barley	4								4		4	0 18
Bricks	112	19							112	19	131	3 29
Bones		114								114	114	20 85
Baggage	3	4							3	4	7	0 80
Bees	12	4							12	4	16	1 41
Brimstone												
Cement and Water Lime	70	54							70	54	124	5 14
Clay, Lime and Sand	30	126							30	126	156	3 93
Coal	1	2,874							1	2,874	2,875	126 89
Corn	90	224							90	224	314	9 36
Cattle	1								1		1	0 03
Cotton, Raw												
Coffee	11	1							11	1	12	0 09
Crockery	1											
Dye Wood and Dye Stuffs	38	7							38	7	45	3 99
Earthenware	305	42							305	42	347	8 75
Fish												
Flax and Hemp	103	125							103	125	228	6 16
Flour	21	32							21	32	53	4 75
Furniture	62	37							62	37	99	2 50
Gypsum	33								33		33	3 02
Glass, Window												
Glassware												
Hay, Pressed		2								2	2	0 18

	7	6	23	7	5	23	5	30	0 14
Hogs									0 86
Horses									0 28
Hides and Skins, Horns and Hoofs									4 98
Ice	7	23		7					27 17
Iron, Railway	7	4		7					12 50
" Pig	148			148					
" All other	669	175		669	175				
" Ore	250			250					
Kryolite or Chemical Ore, and other Ore, except Iron	2,353	310		2,353	310				133 15
Lard and Lard Oil	19	3		19	3				0 62
Meals, all kinds	6	404		6	404				10 38
Meats, other than Pork		13			13				0 34
Marble	1			1					0 09
Manilla	12			12					1 07
Molasses	98	8		98	8				9 72
Nails	188	26		188	26				19 95
Oats	5	5		5	5				0 72
Oil, in Barrels	43	82		43	82				14 56
Oil Cake									
Pease	101	39		101	39				7 95
Potatoes	13			13					0 36
Pork	12			12					0 31
Paint	2	2		2	2				0 26
Pitch and Tar	2	85		2	85				7 63
Rags	5	22		5	22				6 32
Rye	4	467		4	467				14 59
Rosin	13			13					1 14
Salt	1,048	199		1,048	199				34 17
Stone, intended for Cutting	481	73		481	73				13 88
" wrought									
" not suitable for Cutting, unwrought									
Seeds, all kinds		7			7				0 31
Sheep	1			1					0 03
Soda Ash	24			24					2 10
Steel	4			4					0 35
Sugar	231	57		231	57				27 41
Spirits	62	28		62	28				7 97
Tobacco, Raw	10	3		10	3				0 68
Tallow									
Tin	14			14					1 42
Turpentine									
Vinegar	4			4					0 71
Wheat	75	214		75	214				9 72
White Lead									
Whiting	2			2					0 18
Wool	13	2		13	2				0 41

No. 26 —GENERAL STATEMENT showing the Quantity of each Article transported, &c.—Concluded.

Articles.	From Canadian Ports.		From Canadian to United States Ports.		From United States to United States Ports.		From United States to Canadian Ports.		Tons.		Total Tons.	Amount of Tons. \$ cts.
	Up.	Down.	Up.	Down.	Up.	Down.	Up.	Down.	Up.	Down.		
All other Goods and Merchandise not enumerated.....												
Bark.....	638	373							638	373	1,011	99 77
Barrels, Empty.....	244	37							244	37	281	7 10
Boat Knees.....	42	10							42	10	52	2 59
Floats.....	6,183	1,120							6,183	1,120	7,303	145 60
Firewood, in Vessels.....	55,818	6,933	387						56,175	6,933	63,108	1,184 30
" in Rafts.....	234	84							234	84	318	6 64
Hoops.....												
Hop Poles.....	1,347								1,347		1,347	106 50
Lumber, Sawn in Vessels.....	9,065	3,278	4						9,069	3,278	12,347	611 06
" Rafts.....	54	44							54	44	98	3 65
Masts, Spars and Telegraph Poles, in Vessels.....												
Masts, Spars, and Telegraph Poles, in Rafts.....												
Railway Ties, in Vessels.....	2,607								2,607		2,607	194 93
" Rafts.....	625								625		625	50 00
Saw Logs.....	787	909							787	909	1,696	38 89
Staves and Headings, Barrel.....	5	343							5	343	348	14 95
" " West India.....												
Staves, Salt Barrel.....												
Shingles.....	120	1							120	1	121	36 12
Split Posts and Fence Rails, in Vessels.....	133	2							133	2	135	14 80
Split Posts and Fence Rails, in Rafts.....	3	1							3	1	4	0 64
Timber, Square, in Vessels.....	40	2							40	2	42	0 94
" Rafts.....	640	987							640	987	1,627	85 85
Traverses.....	4,606	1,500							4,606	1,500	6,106	41 90

	16	109	16	109	125	14 10
Woodenware and Wood partly manufactured.....						
Total Freight paying Tolls.....	91,408	22,407	91,412	22,407	113,819	3,380 11
Coal, free, per Order in Council ...	1,595	24	1,595	24	1,619	
Grand Total Freight.....	93,003	22,431	93,007	22,431	115,438	
Total Tolls on Vessels.....						
" Passengers.....						1,488 88
Fines and Damages.....						79 21
Wharfage and Storage.....						10 00
Other Receipts.....						96 24
Free Coal.....						55 00
						\$43 49
Total Revenue, exclusive of Hydraulic Rents.....						
						5,109 44

A. BRUNEL,  
Commissioner.

INLAND REVENUE DEPARTMENT,  
OTTAWA, 22nd October, 1878.

APPENDIX A.—Continued.—CANALS.

No. 27.—GENERAL STATEMENT showing the Quantity of each Article transported on the St. Peter's Canal, and the Amount of Revenue collected, during the Fiscal Year ended 30th June, 1878.

Articles.	From Canadian to Canadian Ports.		From Canadian to United States Ports.		From United States to United States Ports.		From United States to Canadian Ports.		Tons.		Total Tons.	Amount of Tolls.
	Up.	Down.	Up.	Down.	Up.	Down.	Up.	Down.	Up.	Down.		
<p>This Canal being closed for enlargement, no business has been done on it during this year.</p>												
<p>A. BRUNEL, <i>Commissioner.</i></p>												
<p>INLAND REVENUE DEPARTMENT, OTTAWA, 22nd October, 1878.</p>												

APPENDIX A.—Continued.

No. 28.—GENERAL STATEMENT showing the Quantity of each Article transported through the Newcastle District Canals, and the Amount of Revenue collected, during the Fiscal Year, ended 30th June, 1878.

Articles.	From Canadian to Canadian Ports.		From United States to United States Ports.		From United States to Canadian Ports.		Tons.		Total Tons.	Amount of Tolls.
	Up.	Down.	Up.	Down.	Up.	Down.	Up.	Down.		
Bricks.....	64	.....	.....	.....	.....	.....	64	.....	64	\$ 1 60
Clay, Lime and Sand.....	120	.....	.....	.....	.....	.....	120	.....	120	1 20
Firewood, in Vessels.....	8,079	.....	.....	.....	.....	.....	8,079	.....	8,079	136 63
Lumber, Sawed, in Vessels.....	2,952	.....	.....	.....	.....	.....	2,952	.....	2,952	17 92
Railway Ties.....	172	.....	.....	.....	.....	.....	172	.....	172	10 25
Saw Logs.....	2,760	.....	.....	.....	.....	.....	2,760	.....	2,760	19 00
Shingles.....	133	4	.....	.....	.....	.....	133	4	137	9 25
Timber, Square.....	300	50	.....	.....	.....	.....	300	50	350	4 25
Iron Ore.....	1,103	.....	.....	.....	.....	.....	1,103	.....	1,103	11 03
Stone, unwrought.....	105	.....	.....	.....	.....	.....	105	.....	105	0 60
Total Freight paying Tolls...	15,788	54	.....	.....	.....	.....	15,788	54	15,842	211 73
Total Tolls on Vessels.....										63 00
Total Revenue exclusive of Hydraulic Rents.....										274 73

A. BRUNEL,  
Commissioner.

INLAND REVENUE DEPARTMENT,  
OTTAWA, 22nd October, 1878.

## APPENDIX

## No. 29.—STATEMENT of Traffic on the undermentioned Canals, and the

Articles,	Welland Canal.		St. Lawrence Canals.		Chambly Canal.	
	Tons.	Tolls.	Tons.	Tolls.	Tons.	Tolls.
<i>Class No. 1.</i>		\$ cts.		\$ cts.		\$ cts.
Canadian Vessels, steam.....	200,763	3,007 38	878,546	5,094 95	74,663	289 99
United States Vessels, steam	161,889	2,487 77	26,942	153 68	135	1 90
Canadian Vessels, sail.....	507,838	10,244 89	799,965	8,715 14	70,103	1,126 47
United States Vessels, sail...	369,686	8,197 21	86,814	957 71	76,466	1,099 72
<b>Total, Class No. 1.....</b>	<b>1,240,176</b>	<b>23,937 25</b>	<b>1,792,267</b>	<b>14,921 48</b>	<b>221,367</b>	<b>2,518 08</b>
<i>Class No. 2.</i>	No.		No.		No.	
Passengers.....	10,065	439 16	59,439	2,812 42	3,625	75 60
<i>Class No. 3.</i>	Tons.		Tons.		Tons.	
Bricks.....	287	44 25	3,756	232 28	522	26 28
Brimstone.....	16	6 40				
Cement and Water Lime.....	539	106 78	2,929	355 37		
Clay, Lime and Sand.....	1,359	157 80	6,049	280 80	2,580	235 94
Coal.....	297,898	57,877 71	24,710	3,224 63	84,736	8,456 61
Fish.....	1,157	231 40	2,294	265 01	10	1 00
Gypsum.....	1,097	131 28	1,567	82 99	50	1 66
Iron, Railway.....	5,918	1,173 10	11,872	1,689 81	1,241	119 64
“ Pig.....	3,405	646 88	9,780	1,191 73		
“ all other.....	8,424	1,677 71	10,407	1,296 29	3,297	433 94
Salt.....	9,372	1,871 41	9,600	1,158 30	1,079	98 30
Stone, for cutting.....	4,134	823 98	671	44 66	970	97 00
Apples.....	653	28 03	5,100	738 08	1,471	140 40
Barley.....	15,221	2,943 85	16,695	1,890 53	1,944	124 47
Corn.....	166,801	33,359 45	49,005	6,966 27		
Cotton, Raw.....			96	7 16		
Flax and Hemp.....	1,826	365 20	53	2 34	99	9 90
Flour.....	11,227	786 01	11,605	1,471 25	235	8 47
Hay, Pressed.....			1,286	102 67	2,021	115 87
Meats, all kinds.....	636	76 45	1,500	117 07	653	31 52
Oil Cake.....	1	0 20	6	0 90		
Oats.....	2,810	560 75	9,559	521 63	3,227	182 57
Pease.....	1,342	257 60	35,720	3,114 62	3,154	105 22
Potatoes.....	141	4 05	592	53 36	9	0 90
Rye.....	2,219	443 80	631	94 43		
Seeds, all kinds.....	232	46 08	29	3 75		
Tobacco, Raw.....	29	5 63	35	3 28	83	8 30
Wheat.....	237,839	46,635 51	93,589	11,885 76		
All other Agricultural Products, Vegetable.....	417	61 15	2,191	260 13	1,204	40 17
Bones.....	296	59 20	220	21 45	758	75 80
Cattle.....	13	2 60	997	69 00	138	4 60
Hogs.....			131	11 31		
Hides and Skins, Horns and Hoofs.....	139	24 14	332	39 00	11	1 10
Horses.....	53	10 60	519	41 41	130	4 34
Lard and Lard Oil.....	17	3 40	139	15 79		
Meats, other than Pork.....	24	4 80	130	16 72	5	0 50
Pork.....	246	49 20	1,077	97 04	4	0 40
Sheep.....	1	0 20	456	32 87	252	8 87

A.—Continued.

Amount of Tolls collected during the Fiscal Year ended 30th June, 1878.

Burlington Bay Canal.		Ottawa Canals.		Rideau Canal.		St. Peter's Canal.		Newcastle District Canals.	
Tons.	Tolls.	Tons.	Tolls.	Tons.	Tolls.	Tons.	Tolls.	Tons.	Tolls.
	\$ cts.		\$ cts.		\$ cts.		\$ cts.		\$ cts.
317,110	3,202 56	262,100	795 54	45,019	396 80			4,094	29 00
55,572	555 87	174,264	2,333 78	124	1 08				
6,842	68 42	66,106	1,409 61	113,026	1,034 10			6,602	34 00
379,524	3,826 85	502,479	4,538 93	6,184	56 90				
				164,353	1,488 88			10,696	63 00
No.		No.		No.		No.		No.	
36,534		31,461	411 35	3,247	79 21				
Tons.		Tons.		Tons.		Tons.		Tons.	
65		95	2 38	131	3 29			64	1 60
57		1,160	108 18	124	5 14				
619		6,323	234 14	156	3 93			120	1 20
39,375				2,875	126 89				
261		17	1 42	347	8 75				
7,264		25	2 32	99	2 60				
4,879		3	0 21	11	0 28				
3,034		54	4 88	148	4 98				
487		153	13 65	844	27 17				
1,686				1,247	34 17				
324		1,230	113 78	554	13 88				
2,130		25	1 67	31	0 79				
		837	59 18	4	0 18				
		1	0 07	314	9 36				
1,403		28	0 91	228	6 16				
46		80	4 30	410	10 38				
3		1,812	167 17						
		1,257	81 47	10	0 72				
1,132		5,478	369 41	140	7 95				
52		224	12 89	13	0 36				
243		35	3 24	469	14 59				
3		20	1 44	7	0 31				
29				13	0 68				
3,320		137	12 28	289	9 72				
66		86	6 47	383	29 77				
		78	14 64	114	20 85				
1		435	29 66	1	0 03				
		58	4 05						
42		34	2 78	30	0 86				
68		290	17 38	5	0 14				
23				22	0 62				
19				13	0 34				
122		31	2 10	12	0 31				
		263	18 04	1	0 03				



No. 29.—STATEMENT of Traffic on the

Articles.	Welland Canal.		St. Lawrence Canals.		Chambly Canal.	
	Tons.	Tolls,	Tons.	Tolls.	Tons.	Tolls
<i>Class No. 3.—Continued.</i>						
		\$ cts.		\$ cts.		\$ cts.
Tallow.....	111	22 20	52	7 41		
Wool.....	222	44 40	59	5 00	161	10 77
All other Agricultural Products, Animal.....	32	6 40	1,176	119 05	99	3 30
Total, Class No. 3.....	776,154	150,549 60	316,615	37,561 15	110,143	10,347 76
<i>Class No. 4.</i>						
Ashes, Pot and Pearl.....	459	35 55	1,230	212 10	880	88 00
Agricultural Implements.....	276	108 30	301	29 23		
Baggage.....	18	7 20	915	145 02		
Beer.....	61	24 40	245	27 67		
Coffee.....	56	22 05	15	1 48	16	1 60
Crockery.....	36	14 40	702	135 48		
Dye Woods and Dye Stuffs..	1,240	494 25	80	5 33	74	7 40
Earthenware.....	79	30 90	466	87 89		
Furniture.....	179	71 55	258	25 30	3	0 27
Glassware.....	101	40 40	522	102 31	18	1 80
Glass, Window.....	20	8 00	1,041	202 11		
Marble.....	2,041	816 40	108	16 17	70	17 93
Manilla.....	732	290 50	80	16 48		
Molasses.....	1,855	740 95	3,540	240 01	2,657	265 70
Nails.....	126	50 05	3,341	749 66		
Oil, in Barrels.....	3,644	1,453 90	1,912	281 45	246	24 57
Paint.....	549	219 60	287	53 65	14	1 40
Pitch and Tar.....	99	39 60	1,956	119 13	1,752	175 20
Rags.....	1,322	472 80	1,123	149 87	82	8 20
Rosin.....	54	8 45	1,365	77 33	1,456	145 60
Soda Ash.....	1,054	385 40	1,166	193 09		
Steel.....	41	12 55	26	5 04		
Sugar.....	4,213	1,677 15	1,943	322 54	45	4 50
Stone, wrought.....	554	218 35	220	29 80	22	5 65
Tin.....	1,271	508 40	474	94 92		
Turpentine.....			626	31 90	641	64 10
Vinegar.....	8	2 15	307	60 28		
White Lead.....	39	15 25	37	6 98		
Whiting.....	18	7 20	143	25 38		
Whiskey and all other Spirits.....	314	118 10	818	156 03		
Merchandise not enumerated	10,993	4,164 35	12,726	1,820 22	3,144	303 91
Total, Class No. 4.....	31,452	12,058 15	37,973	5,423 85	11,120	1,115 83
<i>Class No. 5.</i>						
Bark.....			20	0 75		
Barrels, Empty.....	433	78 66	447	83 50	91	13 33
Boat Knees.....			116	2 40		
Floats.....			4,796	83 96	3,840	230 40
Firewood, in Vessels.....	51,926	2,332 99	52,260	1,330 85	1,284	27 59
“ in Rafts.....	120	7 00	132	2 75		
Lumber, Sawed, in Vessels..	56,968	8,974 99	52,464	3,173 74	41,789	2,424 16
“ in Rafts.....	13	2 40	16,093	724 16		
Hoops.....			127	11 65		
Railway Ties, in Vessels....	53	6 62				
“ in Rafts.....			200	20 00		

undermentioned Canals, &c.---Continued.

Burlington Bay Canal.		Ottawa Canals.		Rideau Canal.		St. Peter's Canal.		Newcastle District Canals.	
Tons.	Tolls.	Tons.	Tolls.	Tons.	Tolls.	Tons.	Tolls.	Tons.	Tolls.
	\$ cts.		\$ cts.		\$ cts.		\$ cts.		\$ cts.
1									
32		3	0 21	15	0 41				
47		506	50 35	1,220	83 75				
66,833		20,778	1,340 67	10,280	429 29			184	2 80
768		73	11 29	54	10 31				
32		20	2 12	85	12 78				
135		103	9 35	7	0 80				
42		31	1 55	16	1 41				
31				1	0 09				
80				12	1 34				
2									
152				45	3 99				
16		44	5 67	53	4 75				
815		1	0 10	2	0 18				
274				33	3 02				
33				1	0 09				
		1	0 10	12	1 07				
390				106	9 72				
1,336				214	19 95				
227		5	0 60	125	14 56				
113				2	0 26				
7		66	12 39	87	7 63				
29		23	3 26	27	6 32				
427				13	1 14				
162				24	2 10				
1				4	0 35				
967		4	0 25	288	27 41				
76				14	1 42				
17									
411				8	0 71				
20									
24				2	0 18				
131		5	0 30	90	7 97				
4,986		621	45 64	1,011	99 77				
11,698		997	92 62	2,336	239 32				
		6	0 41	281	7 10				
38		96	13 86	52	2 59				
		3,391	34 84	7,303	145 60				
435		121,436	4,059 54	63,108	1,184 30			8,079	136 63
		282	2 82	318	6 64				
755		295,694	27,995 03	12,347	611 05			2,952	17 92
		23,293	693 41	98	3 65				
		28	2 70						
				2,607	194 93			172	10 25
				625	50 00				

## No. 29.—STATEMENT of Traffic on the

Articles.	Welland Canal.		St. Lawrence Canals.		Chamby Canal.	
	Tons.	Tolls.	Tons.	Tolls.	Tons.	Tolls.
<i>Class No. 5.—Continued.</i>		\$ cts.		\$ cts.		\$ cts.
Masts, Spars and Telegraph Poles, in Vessels.....						
Masts, Spars and Telegraph Poles, in Rafts.....			5,352	148 80		
Square Timber, in Vessels...	86,302	12,932 86	4,986	250 95		
“ in Rafts.....	326	48 02	12,988	400 20		
Woodenware and Wood partly manufactured.....	500	159 75	471	161 20		
Shingles.....	169	62 31	74	11 76	2	0 84
Split Posts and Fence Rails, in Vessels.....	1	0 25			12	0 88
Split Posts and Fence Rails, in Rafts.....			2	0 20		
Saw Logs.....	5,934	224 87	11,820	271 87		
Staves and Headings, Barrel	113	17 09	613	42 25		
“ Pipe.....	3,895	729 31	416	52 00		
“ W. India.....	2,414	451 94	1,220	174 00		
“ Salt Barrel.....						
Traverses.....	250	0 69	9,042	23 54	35	0 70
Hop Poles.....	300	36 00	1,035	76 00		
Total, Class No. 5.....	209,717	26,065 66	174,674	7,046 53	47,063	2,697 90
<i>Special Class.</i>						
Kryolite or Chemical Ore.....			3,531	176 55	254	12 70
Iron Ore.....	35,752	1,787 60	3,040	152 00	4,415	220 75
Stone, unwrought, not suitable for cutting.....	18,790	967 64	2,029	68 40		
Ice.....	7,335	366 75				
Total, Special Class...	61,877	3,121 99	8,600	396 95	4,669	233 45
Total Freight and Tolls.....	1,079,200	216,171 81	537,862	68,162 38	172,985	16,988 62
Timber and other Wood, Free.....						
Wheat, Corn, Flour, Iron, Salt, Coal, &c., Free.....	12,698	1,616 40	328,021	40,644 48	5,843	580 30
Grand Totals (Passengers and Tonnage of Vessels not included).....	1,091,898	217,788 21	865,883	108,806 86	178,828	17,568 92

INLAND REVENUE DEPARTMENT,  
OTTAWA, 22nd October, 1878.

Undermentioned Canals, &c.—Continued.

Burlington Bay Canal.		Ottawa Canals.		Rideau Canal.		St. Peter's Canal.		Newcastle District Canals.	
Tons.	Tolls.	Tons.	Tolls.	Tons.	Tolls.	Tons.	Tolls.	Tons.	Tolls.
	\$ cts.		\$ cts.		\$ cts.		\$ cts.		\$ cts.
960				42	0 94			350	4 25
1,540		4,949	100 46	1,627	85 85				
89		65	17 95	125	14 10				
		152	48 63	121	36 12			137	9 25
				135	14 80				
				4	0 64				
		888	22 25	1,696	38 89			2,760	19 00
		18	3 23	348	14 95				
368									
48									
		902	4 99	6,106	47 20				
		769	29 90	2,347	106 50				
4,233		451,969	33,030 02	95,290	2,565 85			14,450	197 30
		1,119	58 50	2,663	133 15				
		112	5 60	250	12 50			1,103	11 03
								105	0 60
810									
810		1,231	64 10	2,913	145 65			1,208	11 63
83,574	3,826 85	474,975	39,477 69	113,819	4,948 20			15,842	274 73
		200	8 20	1,619	43 49				
83,574	3,826 85	475,175	39,485 89	115,438	4,991 69			15,842	274 73

A. BRUNEL,  
Commissioner.

## APPENDIX

## No. 30.—SUMMARY STATEMENT of Traffic on the undermentioned Canals of each description of Property passing through,

Articles.	Welland Canal.		St. Lawrence Canals.		Chambly Canal.	
	Tons.	Tolls.	Tons.	Tolls.	Tons.	Tolls.
Vessels of all kinds.....	1,240,176	\$ cts. 23,937 25	1,792,267	\$ cts. 14,921 48	221,367	\$ cts. 2,518 08
Passengers ... ..	No. 10,065	439 16	No. 59,439	2,812 42	No. 3,625	75 60
<i>Forest, Produce of Wood.</i>	Tons.		Tons.		Tons.	
Bark .....			20	0 75		
Boat Knees.....			116	2 40		
Floats .....			4,796	83 96	3,840	230 40
Firewood.....	52,046	2,339 99	52,392	1,333 60	1,284	27 59
Hoops and Hop Poles.....	300	36 00	1,162	87 65		
Lumber, Sawed .....	56,981	8,977 39	68,557	3,897 90	41,789	2,424 16
Masts, Spars, &c.....			5,352	148 80		
Railway Ties.....	53	6 62	200	20 00		
Saw Logs.....	5,934	224 87	11,820	271 87		
Staves, all kinds. ....	6,422	1,198 25	2,249	268 25		
Sningles.....	169	62 31	74	11 76	2	0 84
Split Posts and Rails.....	1	0 25	2	0 20	12	0 88
Timber, Square.....	86,628	12,980 88	17 971	651 15		
Traverses .....	250	0 69	9,042	23 54	35	0 70
<b>Total .....</b>	<b>208,784</b>	<b>25,827 25</b>	<b>173,766</b>	<b>6,801 83</b>	<b>46,962</b>	<b>2,684 57</b>
<i>Farm Stock.</i>						
Cattle.....	13	2 60	997	69 00	138	4 60
Hogs.....			131	11 31		
Horses.....	53	10 60	519	41 41	130	4 34
Sheep.....	1	0 20	456	32 87	252	8 87
<b>Total .....</b>	<b>67</b>	<b>13 40</b>	<b>2,103</b>	<b>154 59</b>	<b>520</b>	<b>17 81</b>
<i>Produce of Animals.</i>						
Bones .....	296	59 20	220	21 45	758	75 80
Horns and Hoofs, Hides and Skins, Raw .....	139	24 14	332	39 00	11	1 10
Lard and Lard Oil.....	17	3 40	139	15 79		
Meats, other than Pork .....	24	4 80	130	16 72	5	0 50
Pork .....	246	49 20	1,077	97 04	4	0 40
Tallow .....	111	22 20	52	7 41		
Wool .....	222	44 40	59	5 00	161	10 77
Agricultural Products, not enumerated, Animal.....	32	6 40	1,176	119 05	99	3 30
<b>Total.....</b>	<b>1,087</b>	<b>213 74</b>	<b>3,185</b>	<b>321 46</b>	<b>1,038</b>	<b>91 87</b>

A.—Continued.

during the Fiscal Year ended 30th June, 1878, showing the total Quantity and the Amount of Tolls collected thereon.

Burlington Bay Canal.		Ottawa Canals.		Rideau Canal.		St. Peter's Canal.		Newcastle District Canals.	
Tons.	Tolls.	Tons.	Tolls.	Tons.	Tolls.	Tons.	Tolls.	Tons.	Tolls.
	\$ cts.		\$ cts.		\$ cts.		\$ cts.		\$ cts.
379,524	3,826 85	502,479	4,538 93	164,353	1,488 88			10,696	63 00
No. 36,534		No. 31,461	411 35	No. 3,247	79 21	No.		No.	
Tons.		Tons.		Tons.		Tons.		Tons.	
		6	0 41	281	7 10				
		3,391	34 84	7,303	145 60				
435		121,718	4,062 36	63,426	1,190 94			8,079	136 63
		797	32 60	1,347	106 50				
755		318,987	28,688 44	12,445	614 70			2,952	17 92
				3,232	244 93			172	10 25
		888	22 25	1,696	38 89			2,760	19 00
416		18	3 23	348	14 95				
		152	48 63	121	36 12			137	9 25
				139	15 44				
2,500		4,949	100 46	1,669	86 79			350	4 25
		902	4 99	6,106	47 20				
4,106		451,808	32,998 21	98,113	2,549 16			14,450	197 30
		435	29 66	1	0 03				
1		58	4 05						
68		290	17 38	5	0 14				
		263	18 04	1	0 03				
69		1,046	69 13	7	0 20				
		78	14 64	114	20 85				
42		34	2 78	30	0 86				
23				22	0 62				
19				13	0 34				
122		31	2 10	12	0 31				
1									
32		3	0 21	15	0 41				
47		506	50 35	1,220	83 75				
286		652	70 08	1,426	107 14				

## NO. 30.—SUMMARY STATEMENT of Traffic on

Articles.	Welland Canal.		St. Lawrence Canals.		Chambly Canal.	
	Tons.	Tolls	Tons.	Tolls.	Tons.	Tolls.
<i>Agricultural Products.</i>						
Agricultural Products, not enumerated, Vegetable...	417	61 15	2,191	260 13	1,204	40 17
Apples.....	653	28 03	5,100	738 08	1,471	140 40
Barley.....	15,221	2,943 85	16,695	1,890 53	1,944	124 47
Cotton, Raw.....			96	7 16		
Corn.....	166,801	33,359 45	49,005	6,996 27		
Flax and Hemp.....	1,826	365 20	53	2 34	99	9 90
Flour.....	11,227	786 01	11,605	1,471 25	235	8 47
Hay, Pressed.....			1,286	102 67	2,021	115 87
Meals, all kinds.....	636	76 45	1,500	117 07	653	31 52
Manilla.....	732	290 50	80	16 48		
Oats.....	2,810	560 75	9,559	521 63	3,227	182 57
Pease.....	1,342	257 60	35,720	3,114 62	3,154	105 22
Potatoes.....	141	4 05	592	53 36	9	0 90
Rye.....	2,219	443 80	631	94 43		
Seeds—Flax, Clover and Grass.....	232	46 08	29	3 75		
Tobacco, Raw.....	29	5 63	35	3 28	83	8 30
Wheat.....	237,839	46,635 51	93,589	11,885 76		
<b>Total.....</b>	<b>442,125</b>	<b>85,864 06</b>	<b>227,766</b>	<b>27,278 81</b>	<b>14,100</b>	<b>767 79</b>
<i>Manufactures.</i>						
Ashes, Pot and Pearl.....	459	35 55	1,230	212 10	880	88 00
Agricultural Implements.....	276	104 30	301	29 23		
Barrels, Empty.....	433	78 66	447	83 50	91	13 33
Bricks.....	287	44 25	3,756	232 28	522	26 28
Beer.....	61	24 40	245	27 67		
Cement and Water Lime.....	539	106 78	2,929	355 37		
Crockery.....	36	14 40	702	135 48		
Earthenware.....	79	30 90	466	87 89		
Furniture.....	179	71 55	258	25 30	3	0 27
Glass, Window.....	20	8 00	1,041	202 11		
Glassware.....	101	40 40	522	102 31	18	1 80
Iron, Railway.....	5,918	1,173 10	11,872	1,689 81	1,241	119 64
Iron, Pig.....	3,405	646 88	9,780	1,191 73		
Iron, all other.....	8,424	1,677 71	10,407	1,296 29	3,297	433 94
Molasses.....	1,855	740 95	3,540	240 01	2,657	265 70
Nails.....	126	50 05	3,341	749 66		
Oil.....	3,644	1,453 90	1,912	281 45	246	24 57
Oil Cake.....	1	0 20	6	0 90		
Paint.....	549	219 60	287	53 65	14	1 40
Pitch and Tar.....	99	39 60	1,956	119 13	1,752	175 20
Rosin.....	54	8 45	1,365	77 33	1,456	145 60
Soda Ash.....	1,054	395 40	1,166	193 09		
Spirits, Whiskey, &c.....	314	118 10	818	156 03		
Steel.....	41	12 55	26	5 04		
Sugar.....	4,213	1,677 15	1 943	322 54	45	4 50
Tin.....	1,271	508 40	474	94 92		
Turpentine.....			626	31 90	641	64 10
Vinegar.....	8	2 15	307	60 28		
White Lead.....	39	15 25	37	6 98		
Whiting.....	18	7 20	143	25 38		
Woodenware.....	500	159 75	471	161 20		
<b>Total.....</b>	<b>34,003</b>	<b>9,459 58</b>	<b>62,374</b>	<b>8,250 56</b>	<b>12,863</b>	<b>1,364 33</b>

the undermentioned Canals, &c.—Continued.

Burlington Bay Canal.		Ottawa Canals.		Rideau Canal.		St. Peter's Canal.		Newcastle District Canals.	
Tons.	Tolls.	Tons.	Tolls.	Tons.	Tolls.	Tons.	Tolls.	Tons.	Tolls.
	\$ cts.		\$ cts.		\$ cts.		\$ cts.		\$ cts.
66		86	6 47	383	29 77				
324		25	1 67	31	0 79				
2,130		837	59 18	4	0 18				
		1	0 07	314	9 36				
1,403		28	0 91	229	6 16				
		80	4 30						
46		1,812	167 17	410	10 38				
		1	0 10	12	1 07				
		1,257	81 47	10	0 72				
1,132		5,478	369 41	140	7 95				
52		224	12 89	13	0 36				
243		35	3 24	469	14 59				
3		20	1 44	7	0 31				
29				13	0 68				
3,320		137	12 28	289	9 72				
8,748		10,021	720 60	2,323	92 04				
768		73	11 29	54	10 31				
32		20	2 12	85	12 78				
38		96	13 86	52	2 59				
65		95	2 38	131	3 29			64	1 60
42		31	1 55	16	1 41				
57		1,160	108 18	124	5 14				
80				12	1 34				
152				45	3 99				
16		44	5 67	53	4 75				
274				33	3 02				
815		1	0 10	2	0 18				
7,264		3	0 21	11	0 28				
4,879		54	4 88	148	4 98				
3,034		153	13 65	844	27 17				
390				106	9 72				
1,336				214	19 95				
227		5	0 60	125	14 56				
3									
113				2	26				
7		66	12 39	87	7 63				
427				13	1 14				
162				24	2 10				
131		5	0 30	90	7 97				
1				4	0 35				
967		4	0 25	288	27 41				
70				14	1 42				
17									
411				8	0 71				
20									
24				2	0 18				
89		65	17 95	125	14 10				
21,911		1,875	195 38	2,712	188 73			64	1 60



## No. 30.—SUMMARY STATEMENT of Traffic on

Articles.	Welland Canal.		St. Lawrence Canals.		Chambly Canal.	
	Tons.	Tolls.	Tons.	Tolls.	Tons.	Tolls.
<i>Merchandise.</i>		\$ cts.		\$ cts.		\$ cts.
Brimstone.....	16	6 40				
Baggage.....	18	7 20	915	145 02		
Clay, Lime and Sand.....	1,359	157 80	6,049	280 80	2,580	235 94
Coal.....	297,898	57,877 71	24,710	3,224 63	84,736	8,456 51
Coffee.....	56	22 05	15	1 48	16	1 60
Dye Woods and Dye Stuffs..	1,240	494 25	80	5 33	74	7 40
Fish.....	1,157	231 40	2,294	265 01	10	1 00
Gypsum.....	1,097	131 28	1,567	82 99	50	1 68
Ores, all kinds.....	35,752	1,787 60	6,571	328 55	4,669	233 45
Marble.....	2,041	816 40	108	16 17	70	17 93
Rags.....	1,322	472 80	1,123	149 87	82	8 20
Salt.....	9,372	1,871 41	9,600	1,158 30	1,079	98 30
Stone, all kinds.....	23,478	2,009 97	2,920	142 86	992	102 65
All other Goods and Merchandise, not enumerated	18,328	4,531 10	12,726	1,820 22	3,144	303 91
<b>Total.....</b>	<b>393,134</b>	<b>70,417 37</b>	<b>68,678</b>	<b>7,621 23</b>	<b>97,502</b>	<b>9,468 57</b>
<b>Grand Totals (Passengers and Tonnage of Vessels not included).....</b>	<b>1,079,200</b>	<b>216,171 81</b>	<b>537,862</b>	<b>68,162 38</b>	<b>172,985</b>	<b>16,988 62</b>

INLAND REVENUE DEPARTMENT,

OTTAWA, 22nd October, 1878.

the undermentioned Canals, &c.—*Continued.*

Burlington Bay Canal		Ottawa Canals.		Rideau Canal.		St. Peter's Canal.		Newcastle District Canals.	
Tons.	Tolls.	Tons.	Tolls.	Tons.	Tolls.	Tons.	Tolls.	Tons.	Tolls.
	\$ cts.		\$ cts.		\$ cts.		\$ cts.		\$ cts.
135		103	9 35	7	8 00				
619		6,323	234 14	156	3 93			120	1 20
39,375				2,875	126 89				
31				1	0 09				
2									
261		17	1 42	347	8 75				
		25	2 32	99	2 50				
		1,231	64 10	2,913	145 65			1,103	11 03
33				1	0 09				
29		23	3 26	27	6 32				
487				1,247	34 17				
1,686		1,230	113 78	554	13 88			105	60
5,796		621	45 64	1,011	99 77				
48,454		9,573	474 01	9,238	442 84			1,328	12 83
83,574	3,826 85	474,975	39,477 69	113,819	4,948 20			15,842	274 73

A. BRUNEL,  
*Commissioner.*

APPENDIX A.—Continued.

No. 31.—STATEMENT showing the amount of Tolls accrued each month, during the Fiscal Year ended 30th June, 1878.

Canals and Offices.	1877.						1878.						Total.
	July.	August.	Sept.	October.	Nov.	Dec.	March.	A. 1.	May.	June.			
	\$ cts.	\$ cts.	\$ cts.	\$ cts.	\$ cts.	\$ cts.	\$ cts.	\$ cts.	\$ cts.	\$ cts.	\$ cts.		
<i>Welland Canal.</i>													
Chippawa .....	12 17	26 51	2 00	25 99	28 04	1 25	0 36	3 20	3 21	1 50			104 33
Colborne.....	21,428 28	24,164 19	28,026 84	21,157 32	17,660 33	743 47	.....	.....	16,068 06	19,815 20	.....	.....	149,063 68
Dalhousie.....	9,535 23	7,634 71	9,065 57	9,764 85	7,988 90	127 85	.....	.....	9,234 92	8,574 28	.....	.....	61,926 31
Dunnville .....	0 75	0 75	29 79	72 82	183 81	.....	.....	.....	92 74	106 26	.....	.....	486 92
Maitland .....	204 68	184 93	222 43	131 50	222 10	28 26	.....	.....	148 90	173 42	.....	.....	1,316 23
Robinson .....	135 88	184 72	229 89	287 97	186 84	102 09	.....	.....	317 70	295 97	.....	.....	1,741 06
St. Catharines.....	400 20	288 33	165 93	178 49	171 68	7 76	.....	.....	138 64	182 46	.....	.....	1,533 39
Total, Welland Canal.....	31,717 19	32,484 14	37,742 45	31,618 94	26,441 60	1,010 68	0 36	3 20	26,004 16	29,149 09	.....	.....	216,171 81
<i>St. Lawrence Canals.</i>													
Beauharnois.....	223 91	211 96	380 09	882 70	408 76	.....	.....	1 40	386 77	243 04	.....	.....	2,738 63
Cornwall.....	1,554 90	1,005 13	1,668 33	3,866 85	2,935 29	2 55	.....	.....	2,337 50	2,393 49	.....	.....	15,764 04
Edwardsburg.....	67 97	51 58	56 98	40 19	157 80	8 95	.....	.....	87 31	65 62	.....	.....	536 40
Kingston.....	1,394 18	1,656 19	3,451 82	3,655 69	940 23	.....	.....	601 78	5,931 12	3,160 75	.....	.....	20,791 76
Lachine.....	322 40	660 01	824 61	384 19	215 05	.....	.....	.....	227 16	337 01	.....	.....	2,971 43
Montreal.....	3,553 73	3,728 32	3,488 53	4,506 87	2,804 18	24 64	.....	.....	3,422 34	3,831 51	.....	.....	25,360 12
Total, St. Lawrence Canals	7,118 09	7,313 19	9,870 36	13,336 49	7,461 31	36 14	.....	603 18	12,392 20	10,031 42	.....	.....	68,162 38
<i>Chamby Canal.</i>													
Chamby.....	433 43	494 28	294 93	666 42	548 88	.....	.....	.....	301 19	902 17	.....	.....	3,641 00
St. Johns.....	2,804 95	1,880 96	1,922 21	2,522 21	1,125 75	.....	.....	.....	1,268 89	1,119 57	.....	.....	12,705 73
St. Ours.....	75 53	66 16	61 84	128 43	106 33	.....	.....	29 00	88 46	86 16	.....	.....	641 89
Total, Chamby Canal.....	3,313 91	2,441 38	2,339 18	3,317 06	1,780 66	.....	.....	29 00	1,659 54	2,107 89	.....	.....	16,988 62

	639 32	614 81	559 56	463 13	310 54	11 81	3 72	39 29	539 94	654 73	3,826 85
<i>Burlington Bay Canal.</i>											
Hamilton .....											
<i>Ottawa Canals.</i>											
Ottawa .....	3,600 11	4,601 13	2,806 30	2,740 51	1,066 83				3,231 89	2,958 78	21,005 55
Carillon .....	93 36	94 61	168 94	157 93	93 42			9 01	57 81	128 36	803 44
Grenville .....	2,503 51	2,188 71	2,160 72	1,966 16	1,286 11				2,376 47	2,310 88	14,792 66
St. Ann's .....	469 67	515 20	454 08	480 57	314 77	0 42		22 15	264 96	354 32	2,876 14
Total, Ottawa Canals.....	6,666 65	7,399 65	5,590 01	5,345 17	2,761 13	0 42		31 16	5,931 13	5,752 34	39,477 69
<i>Rideau Canal.</i>											
Kingston Mills .....	414 26	376 00	322 66	281 03	96 31	1 55			338 93	406 39	2,237 13
Ottawa .....	286 32	496 31	236 79	239 54	223 09	10 33			342 98	349 35	2,183 71
Smith's Falls .....	69 16	80 96	72 32	63 13	22 88				97 77	121 14	527 36
Total, Rideau Canal.....	769 74	953 27	631 77	583 70	341 28	11 88			779 68	876 88	4,948 20
<i>St. Peter's Canal.</i>											
St. Peters .....											
<i>Newcastle District Canals.</i>											
Bobcaygeon .....	28 58	21 95	40 00	4 76				4 50	17 72	13 75	131 26
Peterborough.....		1 50						7 28	4 08	6 34	19 20
Hastings .....		32 15	23 33	9 05	23 35		1 09	1 00	3 50	31 80	134 27
Total, Newcastle Distr. Canals	28 58	55 60	63 33	13 81	22 35		1 09	12 78	25 30	51 89	274 73
Grand Total .....	50,253 48	51,262 04	56,796 69	54,678 30	39,118 87	1,070 93	5 17	718 61	47,321 96	48,624 24	349,850 28

A. BRUNEL,  
Commissioner.

INLAND REVENUE DEPARTMENT,  
OTTAWA, 22nd October, 1878.

APPENDIX A.—Continued.  
 No. 32.—STATEMENT showing the Number, Tonnage and Nationality of Vessels passed through all the Canals during the Fiscal Year ended 30th June, 1878, and the Tolls collected thereon.

Vessels.	Total Number.	From Canadian to Canadian Ports.		From Canadian to United States Ports.		From United States to United States Ports.		From United States to Canadian Ports.		Tons.		Total Tons.	Amount of Tolls. \$ cts.
		Up.	Down.	Up.	Down.	Up.	Down.	Up.	Down.	Up.	Down.		
<i>Welland Canal.</i>													
Canadian Vessels, steam	623	66,502	35,973	1,205	1,205	.....	.....	1,166	61,855	101,730	99,033	200,763	3,007 38
do sail...	2,262	124,904	63,636	2,894	2,894	1,696	346	6,576	186,192	253,771	253,067	507,838	10,244 89
Total Canadian .....	2,885	191,406	99,609	4,099	4,099	1,596	345	7,742	248,047	356,501	352,100	708,601	13,252 27
United States Vessels, steam.....	413	.....	143	1,059	1,059	79,351	77,339	813	3,160	80,188	81,701	161,889	2,487 77
United States Vessels, sail.....	1,313	966	768	1,852	1,852	165,078	89,010	1,707	94,191	183,865	185,821	369,686	8,197 21
Total United States ...	1,726	966	911	2,911	2,911	244,429	166,349	2,520	97,351	264,053	267,522	531,575	10,684 98
Grand Total, Welland Canal.....	4,611	192,372	100,520	7,010	7,010	246,025	166,684	10,262	345,398	620,554	619,622	1,240,176	23,987 25
<i>St. Lawrence Canals.</i>													
Canadian Vessels, steam	3,112	523,850	334,830	5,621	5,621	9	.....	153	14,093	529,633	348,913	878,546	5,094 95
do sail...	5,239	456,882	335,598	1,422	30	.....	.....	489	5,644	456,793	341,172	799,965	8,715 14
Total Canadian .....	8,351	980,732	670,428	7,043	30	9	.....	642	19,627	986,426	690,085	1,678,511	13,810 09
United States Vessels, steam.....	671	236	145	293	293	8,150	8,260	277	5,351	12,893	14,049	26,942	153 68
United States Vessels, sail.....	943	2,477	3,648	6,925	6,925	859	1,611	53,023	8,070	66,660	20,154	86,814	957 71
Total United States ...	1,614	2,713	3,693	7,218	7,218	9,009	9,871	53,300	13,421	79,553	34,203	113,756	1,111 39
Grand Total, St. Lawrence Canals.....	9,965	983,445	674,121	7,248	7,248	9,018	9,871	53,942	33,048	1,067,979	724,288	1,792,267	14,921 48

<i>Chamblly Canal.</i>		532	349	2,576	38,698	74,683	289 99
Canadian Vessels, steam	36,122	349	36,122	38,698	74,683	289 99	
do	10,973	11,375	10,973	46,233	70,103	1,126 47	
Total Canadian .....	47,095	11,724	47,095	84,931	144,766	1,416 46	
United States Vessels, steam	35	35	35	100	135	1 90	
United States Vessels, sail	114	11,638	132	11,752	64,714	1,099 72	
Total United States ...	114	11,673	132	11,787	64,814	1,101 62	
Grand Total, Chamblly Canal.....	48,225	23,397	47,227	71,622	221,367	2,518 08	
<i>Burlington Bay Canal.</i>							
Canadian Vessels, steam	150,215	782	154,529	158,599	317,110	3,202 56	
do	6,616	.....	14,361	28,106	55,572	555 87	
Total, Canadian.....	156,831	782	168,890	186,705	372,682	3,758 43	
United States Vessels, steam	.....	.....	.....	.....	.....	.....	
United States Vessels, sail	464	.....	.....	.....	.....	.....	
Total, United States....	464	.....	.....	3,246	6,842	68 42	
Grand Total, Burling-ton Bay Canal.....	157,295	782	168,890	189,951	379,524	3,826 85	
<i>Ottawa Canals.</i>							
Canadian Vessels, steam	109,354	.....	151,507	109,354	262,109	795 54	
do	17,961	.....	134,218	17,961	174,264	2,333 78	
Total, Canadian.....	127,315	.....	285,725	127,315	436,373	3,129 32	
United States Vessels, steam	.....	.....	.....	.....	.....	.....	
United States Vessels, sail	8,596	.....	320	14,655	51,451	1,409 61	
Total, United States....	8,596	.....	320	14,655	51,451	1,409 61	
Grand Total, Ottawa Canals.....	135,911	.....	286,045	141,970	502,479	4,538 93	

No. 32.—STATEMENT showing the Number, Tonnage and Nationality of Vessels, &c.—Continued.

Vessels.	Total Number	From Canadian to Canadian Ports.		From Canadian to United States Ports.		From United States to United States Ports.		From United States to Canadian Ports.		Tons.		Total Tons.	Amount of Tolls. \$ cts.
		Up.	Down.	Up.	Down.	Up.	Down.	Up.	Down.	Up.	Down.		
<i>Rideau Canal.</i>													
Canadian Vessels, steam	901	20,784	24,235							20,784	24,235	45,019	396 80
do sail...	1,725	52,795	60,231							52,795	60,231	113,026	1,034 10
Total, Canadian.....	2,626	73,579	84,466							73,579	84,466	158,045	1,430 90
United States Vessels, steam	4	62	62							62	62	124	1 08
United States Vessels, sail.....	77	1,346	4,671	97	70					1,443	4,741	6,184	56 90
Total, United States....	81	1,408	4,733	97	70					1,506	4,803	6,308	57 98
Grand Total, Rideau Canal.....	2,707	74,987	89,199	97	70					75,084	89,269	164,353	1,488 88
<i>St. Peter's Canal.</i>													
Canadian Vessels, steam													
do sail.....													
Total, Canadian.....													
<i>Newcastle District Canals.</i>													
Canadian Vessels, steam	57	628	3,466							628	3,466	4,094	29 00
do sail.....	67	102	6,500							102	6,500	6,602	34 00
Total, Canadian.....	124	730	9,966							730	9,966	10,696	63 00

RECAPITULATION.

<b>CANADIAN VESSELS.</b>													
<i>Steam and Sail.</i>													
Welland .....	2,885	191,406	99,609	155,757	4,099	1,596	345	7,742	218,047	356,501	352,100	708,601	13,252 27
St. Lawrence.....	8,351	980,732	670,428	7,043	30	9	642	19,627	988,426	690,085	690,085	1,678,511	13,810 09
Chambly .....	1,460	48,111	47,095	11,724	.....	.....	.....	37,836	59,835	84,931	84,931	144,766	1,416 46
Burlington Bay.....	1,000	156,831	168,890	782	17,087	.....	25,092	.....	186,705	185,977	309,058	372,682	3,758 43
Ottawa .....	3,510	127,315	285,725	.....	23,333	.....	.....	.....	127,315	309,058	84,466	436,373	3,129 32
Rideau .....	2,626	73,579	84,466	.....	.....	.....	.....	.....	73,579	84,466	84,466	158,045	1,430 90
St. Peters .....	.....	.....	.....	.....	.....	.....	.....	.....	730	.....	9,966	10,686	63 00
Newcastle District.....	124	730	9,966	.....	.....	.....	.....	.....	.....	.....	.....	.....	.....
<b>Total, Canadian.....</b>	<b>19,956</b>	<b>1,578,704</b>	<b>1,366,179</b>	<b>175,306</b>	<b>44,549</b>	<b>1,605</b>	<b>345</b>	<b>37,476</b>	<b>305,510</b>	<b>1,793,091</b>	<b>1,716,583</b>	<b>3,509,674</b>	<b>36,860 47</b>
<b>UNITED STATES VESSELS.</b>													
<i>Steam and Sail.</i>													
Welland .....	1,726	966	911	16,138	2,911	244,429	166,349	2,520	97,351	264,053	267,522	531,575	10,684 98
St. Lawrence.....	1,614	2,713	3,693	14,531	7,218	9,009	9,871	53,300	13,421	79,553	34,203	113,756	1,111 39
Chambly .....	966	114	132	11,673	.....	.....	1,890	.....	62,792	11,787	64,814	76,601	1,101 62
Burlington Bay.....	30	484	.....	.....	3,596	.....	.....	2,782	.....	3,246	3,596	6,842	68 42
Ottawa .....	782	8,586	320	.....	51,131	.....	.....	6,059	.....	14,655	51,461	66,106	1,409 61
Rideau .....	81	1,408	4,733	97	.....	.....	.....	.....	.....	1,605	4,803	6,308	57 98
St. Peters .....	.....	.....	.....	.....	.....	.....	.....	.....	.....	.....	.....	.....	.....
<b>Total, United States.....</b>	<b>5,079</b>	<b>14,261</b>	<b>9,789</b>	<b>42,439</b>	<b>64,976</b>	<b>253,438</b>	<b>178,110</b>	<b>61,661</b>	<b>173,564</b>	<b>374,799</b>	<b>426,389</b>	<b>801,188</b>	<b>14,434 00</b>
<b>Grand Total, Canadian and United States.....</b>	<b>25,035</b>	<b>1,592,965</b>	<b>1,375,968</b>	<b>217,745</b>	<b>109,475</b>	<b>255,043</b>	<b>178,455</b>	<b>102,137</b>	<b>479,074</b>	<b>2,167,890</b>	<b>2,142,972</b>	<b>4,310,862</b>	<b>51,294 47</b>

A. BRUNEL,  
Commissioner.

INLAND REVENUE DEPARTMENT,  
OTTAWA, 22nd October, 1878.



APPENDIX A.—Continued.—CANALS

No. 33.—COMPARATIVE STATEMENT of the Total Movement of Property, Passengers and Vessels on the under-mentioned Canals, for the Fiscal Year ended 30th June, 1878, and the three preceding Years.

	Welland Canal.			St. Lawrence Canals.			Chambly Canal.				
	1876.	1877.	1878.	1875.	1876.	1877.	1878.	1875.	1876.	1877.	1878.
	Percentage of Decrease of 1878 compared with 1877, is	Percentage of Decrease of 1878 compared with 1875, is	Percentage of Decrease of 1878 compared with 1877, is	Percentage of Decrease of 1878 compared with 1877, is	Percentage of Decrease of 1878 compared with 1875, is	Percentage of Decrease of 1878 compared with 1877, is	Percentage of Decrease of 1878 compared with 1875, is	Percentage of Decrease of 1878 compared with 1877, is	Percentage of Decrease of 1878 compared with 1875, is	Percentage of Decrease of 1878 compared with 1877, is	Percentage of Decrease of 1878 compared with 1875, is
Goods, Wares and Merchandise.											
Farm Stock.....	52	95	67	1,344	1,533	2,212	2,103	347	404	504	520
Forest.....	204,471	271,605	208,784	320,382	203,963	247,868	173,766	96,241	65,008	44,878	46,962
Manufactures.....	29,596	16,820	34,003	75,291	99,161	79,408	62,374	14,651	15,364	16,719	12,863
Merchandise.....	366,559	411,544	393,134	66,302	61,128	82,047	68,678	105,597	137,146	130,796	97,502
Vegetable Food and other Agricultural Products.....	515,740	456,549	443,212	221,390	235,934	178,466	230,951	15,859	10,336	11,864	15,138
Total Tons.....	1,116,418	1,097,198	1,079,200	634,709	604,719	590,001	537,862	232,695	228,848	204,761	172,985
Passengers.....	5,623	5,735	10,065	35,129	40,381	61,367	59,439	3,858	5,479	5,484	3,625
Number of Vessels of all kinds.	4,878	4,513	4,611	10,891	10,392	10,073	9,965	1,982	2,730	2,567	2,366
Total Tonnage of Vessels of all kinds.....	1,177,020	1,216,659	1,240,176	1,302,634	1,310,242	1,341,166	1,792,267	232,810	241,731	235,380	221,367
	Welland Canal.			St. Lawrence Canals.			Chambly Canal.				
	2.00	3.45	27.3	9.69	18.36	34.62					

Goods, Wares and Merchandise.	Burlington Bay Canal.				Ottawa Canals.				Rideau Canal.					
	1876.		1877.		1878.		1875.		1876.		1877.		1878.	
Farm Stock.....	66	42	60	69	744	808	902	1,046	3	10	3	7		
Forest.....	29,340	14,404	13,879	4,106	557,186	428,455	538,139	451,808	158,792	125,534	110,943	98,113		
Manufactures.....	23,943	24,047	17,918	21,911	510	1,220	1,694	1,875	2,638	3,418	3,696	2,712		
Merchandise.....	47,535	42,503	66,755	48,454	2,855	5,620	7,340	9,573	15,155	14,831	7,136	9,238		
Vegetable Food and other Agricultural Products ...	36,849	28,575	17,404	9,034	5,510	4,195	5,490	10,673	2,934	3,373	4,316	3,749		
<b>Total Tons .....</b>	<b>137,733</b>	<b>109,571</b>	<b>116,016</b>	<b>83,374</b>	<b>566,805</b>	<b>440,298</b>	<b>553,555</b>	<b>474,975</b>	<b>179,522</b>	<b>147,166</b>	<b>125,093</b>	<b>113,819</b>		
Passengers .....	16,027	14,327	22,273	36,534	37,485	32,328	41,230	31,461	1,030	1,906	2,458	3,247		
Number of Vessels of all kinds.	1,284	1,079	1,081	1,030	5,485	4,311	5,219	4,292	3,137	2,922	2,912	2,707		
<b>Total Tonnage of Vessels of all kinds.....</b>	<b>258,786</b>	<b>236,415</b>	<b>231,752</b>	<b>379,524</b>	<b>384,147</b>	<b>300,761</b>	<b>366,703</b>	<b>502,477</b>	<b>189,183</b>	<b>183,883</b>	<b>158,375</b>	<b>164,353</b>		
	Burlington Bay Canal.				Ottawa Canals.				Rideau Canal.					
	Percentage of Decrease of 1878 compared with 1877, is		Percentage of Decrease of 1878 compared with 1875, is		Percentage of Decrease of 1878 compared with 1877, is		Percentage of Decrease of 1878 compared with 1875, is		Percentage of Decrease of 1878 compared with 1877, is		Percentage of Decrease of 1878 compared with 1875, is			
	38-82		64-8		16-54		19-33		9-9		57-72			

A. BBUNEL,  
Commissioner.

INLAND REVENUE DEPARTMENT,  
OTTAWA, 22nd October, 1878.

APPENDIX A.—Continued.—CANALS.

No. 34.—COMPARATIVE STATEMENT of the Tonnage of Vessels and Goods passed through the Canals during the Fiscal Years ended 30th June, 1875, 1876, 1877 and 1878.

Property and Vessels.	Welland Canal.			St. Lawrence Canals.			Chambly Canal.				
	1875.	1876.	1878.	1875.	1876.	1877.	1878.	1875.	1876.	1877.	1878.
Tonnage of Property, Up. . . . .	325,059	355,327	288,838	136,796	143,095	133,909	121,365	104,611	71,123	62,293	51,938
do do Down. . . . .	791,359	741,371	790,362	547,933	461,624	456,092	416,497	128,084	157,725	142,468	118,047
Total Tonnage of Property, Up and Down. . . . .	1,116,418	1,097,198	1,079,200	684,709	604,719	590,001	537,862	232,695	228,848	204,761	172,985
nn Vessels, Up. . . . .	591,834	537,616	620,554	759,418	744,697	797,787	1,067,979	76,833	82,298	75,465	71,622
do do Down. . . . .	585,186	540,188	619,622	543,216	565,545	543,379	724,288	155,977	159,433	159,915	149,745
Total Tonnage of Vessels, Up and Down. . . . .	1,177,020	1,077,804	1,240,176	1,302,634	1,310,242	1,341,166	1,792,267	232,810	241,731	235,380	221,367
Grand Total Tonnage of Property and Vessels, Up and Down. . . . .	2,293,438	2,175,002	2,319,376	1,987,343	1,914,961	1,931,167	2,330,129	465,505	470,579	440,141	394,352

Property and Vessels.	Burlington Bay Canal.			Ottawa Canals.			Rideau Canal.			
	1875.	1876.	1877.	1875.	1876.	1877.	1875.	1876.	1877.	1878.
Tonnage of Property, Up.....	74,154	61,853	83,406	63,815	1,547	1,748	130,190	106,108	100,837	91,412
do Down.....	63,579	47,718	32,610	19,759	566,258	438,550	49,332	41,058	24,256	22,407
Total Tonnage of Property, Up and Down.....	137,733	109,571	116,016	83,574	566,805	440,298	179,522	147,166	125,093	113,819
Tonnage of Vessels, Up.....	129,268	117,788	116,025	189,951	68,267	56,722	83,708	83,579	67,543	75,084
do Down.....	129,518	118,627	115,737	189,573	315,880	244,042	105,475	100,304	90,832	89,269
Total Tonnage of Vessels, Up and Down.....	258,786	236,415	231,762	379,524	384,147	300,764	189,183	183,883	158,375	164,353
Grand Total Tonnage of Property and Vessels, Up and Down.....	396,519	345,986	347,768	463,098	950,952	741,062	368,705	331,049	283,468	278,173

A. BRUNEL,  
Commissioner.

INLAND REVENUE DEPARTMENT,  
OTTAWA, 22nd October, 1878.

## APPENDIX A.—Continued.

No. 35.—COMPARATIVE STATEMENT showing the Quantity of each Article transported on the Canals, during the Fiscal Years ended 30th June, 1877 and 1878, and the Tolls collected thereon.

Articles.	1877.		1878.	
	Tons.	Tolls.	Tons.	Tolls.
		\$ cts.		\$ cts.
Ashes, Pot and Pearl .....	4,689	515 99	3,464	357 25
Apples .....	13,642	1,512 51	7,604	908 97
Agricultural Products not enumerated, Vegetable .....	3,000	275 86	4,347	397 69
Agricultural Products not enumerated, Animal .....	5,792	451 17	3,080	262 85
Agricultural Implements .....	446	50 60	714	152 43
Barley .....	36,649	5,367 97	36,831	5,018 21
Bricks .....	10,127	838 79	4,920	310 08
Bones .....	2,159	238 19	1,466	191 94
Baggage .....	1,268	165 06	1,178	162 37
Beer .....	483	76 52	395	55 03
Brimstone .....	4	0 80	16	6 40
Cement and Water Lime .....	6,586	753 16	4,809	575 47
Clay, Lime and Sand .....	13,489	842 65	17,206	913 81
Coal .....	534,536	79,445 54	449,594	69,685 74
Corn .....	212,991	38,143 69	216 121	40,365 15
Cattle .....	1,674	10 77	1,584	105 89
Cotton, Raw .....			96	7 16
Coffee .....	43	15 67	119	25 22
Crockery .....	799	148 53	830	151 22
Dye Woods and Dye Stuffs .....	253	46 48	1,396	506 98
Earthenware .....	1,175	182 09	742	122 78
Fish .....	2,504	280 76	1,086	507 58
Flax and Hemp .....	44	7 50	1,978	377 44
Flour .....	40,235	3,932 89	24 726	2,272 80
Furniture .....	707	123 46	553	107 54
Gypsum .....	4,012	185 45	2,838	220 77
Glass, Window .....	1,464	275 91	1,368	213 13
Glassware .....	1,428	166 81	1,459	144 79
Hay, Pressed .....	2,329	180 92	3,387	222 84
Hogs .....	201	16 21	190	15 36
Horses .....	941	69 39	1,065	73 87
Hides and Skins, Horns and Hoofs .....	614	50 60	588	67 88
Ice .....	60	3 00	8,145	366 75
Iron, Railway .....	27,990	3,332 70	26,309	2,983 04
“ Pig .....	22,445	2,079 46	18,266	1,848 47
“ All other .....	17,114	1,987 71	26,159	3,448 76
Iron Ore .....	36,190	1,662 22	44,672	2,129 48
Kryolite or Chemical Ore, and other Ore except Iron .....	4,134	206 70	7,567	380 90
Lard and Lard Oil .....	220	28 73	201	19 81
Meals, all kinds .....	2,998	243 95	5,057	402 59
Meats, other than Pork .....	125	18 54	191	22 36
Marble .....	2,215	770 11	2,253	850 59
Manilla .....	87	22 71	825	308 15
Molasses .....	8,990	703 70	8,548	1,256 38
Nails .....	6,392	1,193 05	5,017	819 66
Oats .....	31,189	3,529 26	16,863	1,347 14
Oil, in Barrels .....	3,398	704 74	6,159	6,175 08
Oil Cake .....	11	1 37	10	1 10
Pease .....	27,019	2,061 37	46,966	3,854 80
Potatoes .....	2,858	327 56	1,031	71 56
Pork .....	1,270	169 16	1,492	149 05
Paint .....	543	118 82	965	274 91
Pitch and Tar .....	2,273	192 05	3,967	353 95
Rags .....	963	114 82	2,606	640 45

## No 35.—COMPARATIVE STATEMENT showing the Quantity, &amp;c.—Continued.

Articles.	1877.		1878.	
	Tons.	Tolls.	Tons.	Tolls.
		\$ cts		\$ cts
Rye.....	1,614	303 64	3,597	556 06
Rosin.....	3,224	239 75	3,315	232 52
Salt.....	36,613	6,007 02	21,785	3,162 18
Stone, intended for Cutting.....	20,298	2,618 24	9,245	1,093 30
“ wrought.....	1,052	351 41	796	253 80
“ not suitable for Cutting, unwrought.....	18,934	1,037 14	20,924	1,036 64
Seeds, all kinds.....	117	13 82	291	51 58
Sheep.....	960	56 82	973	60 01
Soda Ash.....	1,397	253 28	2,406	580 59
Steel.....	168	30 45	72	17 94
Sugar.....	4,314	676 66	7,460	2,031 85
Spirits.....	2,271	477 20	1,358	282 40
Tobacco, Raw.....	89	9 83	189	17 89
Tallow.....	100	13 83	164	29 61
Tin.....	607	111 23	1,829	604 74
Turpentine.....	1,097	81 00	1,284	96 00
Vinegar.....	496	48 19	734	63 14
Wheat.....	240,601	41,841 98	335,174	58,543 27
White Lead.....	247	62 35	96	22 23
Whiting.....	219	38 45	187	32 76
Wool.....	559	89 70	492	60 79
All other Goods and Merchandise, not enumerated.....	25,822	3,981 37	33,481	6,433 89
Bark.....	340	26 33	307	8 26
Barrels, Empty.....	2,144	321 80	1,157	191 94
Boat Knees.....			116	2 40
Floats.....	21,345	363 55	19,330	491 80
Firewood, in Vessels.....	355,004	11,382 85	298,528	9,071 90
“ in Rafts.....	2,654	55 26	862	19 21
Hoops.....	413	76 25	155	14 35
Hop Poles.....	1,918	128 50	3,461	218 40
Lumber, Sawed, in Vessels.....	576,896	55,174 43	462,969	43,146 89
“ in Rafts.....	71,111	2,492 07	39,497	1,423 62
Masts, Spars and Telegraph Poles, in Vessels.....	302	2 60		
“ in Rafts.....	15,813	334 80	5,352	148 80
Railway Ties, in Vessels.....	7,600	618 83	2,832	211 80
“ in Rafts.....	92	4 38	825	70 00
Saw Logs.....	45,852	902 62	23,098	576 88
Staves and Headings, Barrel.....	1,435	96 25	1,092	77 43
“ Pipe.....	9,888	1,721 12	4,679	781 31
“ West India.....	4,485	774 43	3,682	625 94
“ Salt Barrel.....	38	5 40		
Shingles.....	811	207 29	655	168 91
Split Posts and Fence Rails, in Vessels.....	176	27 45	148	15 93
“ in Rafts.....	3	0 32	6	0 84
Timber, Square, in Vessels.....	93,985	13,144 23	92,640	13,189 00
“ in Rafts.....	34,152	1,050 68	21,430	634 53
Traverses.....	29,195	109 17	16,335	77 12
Woodenware and Wood partly manufactured.....	934	260 65	1,250	353 00
Totals—Passengers and Tonnage of Vessels not included.....	2,734,153	301,558 35	2,478,257	294,738 07
Passengers—Total Number.....	146,375	3,845 97	144,370	3,817 74
Vessels—Tonnage.....	3,576,698	54,578 54	4,310,862	51,294 47
Total Tolls Collected.....		359,982 86		349,850 28
Total Tolls Free.....		37,067 39		42,892 87
Grand Total Tolls.....		397,050 25		392,743 15

INLAND REVENUE DEPARTMENT,  
OTTAWA, 22nd October, 1878.

A. BRUNEL,  
Commissioner.

APPENDIX A.—Continued.

No. (A) 24.—GENERAL STATEMENT showing the Quantity of each Article transported through the Welland Canal, and the Amount of Revenue collected, during the season of Navigation in 1877.

Articles.	From Canadian to Canadian Ports.		From Canadian to United States Ports.		From United States to United States Ports.		From United States to Canadian Ports.		Tons.		Total Tons.	Amount of Tolls. \$ cts.
	Up.	Down.	Up.	Down.	Up.	Down.	Up.	Down.	Up.	Down.		
Ashes, Pot and Pearl.....												
Apples.....		88		320	27			29		27	437	44 55
Agricultural Products, not enumerated, Vegetable.....		590			14	2		45		14	637	27 63
Agricultural Products, not enumerated, Animal.....			150		108	53				108	293	62 20
Agricultural Implements.....	20		200		13	16		8		13	224	27 40
Barley.....	408		234		240	6				260	6	105 40
Bricks.....	179				480	1,123		8,272		9,654	10,216	3,873 65
Bones.....		122			39	102		116		246	340	99 50
Baggage.....					8					8		3 20
Beer.....	6				6	53				12	53	25 90
Brimstone, Crude.....					12					12		4 80
Cement and Water Lime.....	6	43			220					226	43	48 63
Clay, Lime and Sand.....	110	1,305			14	4		18		1,327	1,451	163 88
Coal.....	631	326			169,255	3,613		140,455		179,475	144,394	323,869
Corn.....		2,331			10	65,249		101,605		11	169,185	62,957 12
Cattle.....												33,838 45
Cotton, Raw.....					10	1				10	1	2 20
Coffee.....	1				55					56		22 05
Crockery.....	1				35					36		14 40
Dye Wood and Dye Stuffs.....	10				715					726		286 65
Earthenware.....	22				8	16				50	16	26 05
Fish.....	30				166	4				1,092	4	219 20
Flax and Hemp.....					1,217					1,217		243 40
Flour.....		10,077			28	3,342		139		31	13,568	1,113 78
Furniture.....	3	4				92		4		3	100	51 85
Gypsum.....	3	806		290		250				3	1,306	164 43
Glass, Window.....	45					5				53		21 45
Glassware.....	1				6	115				8	115	49 20

						60	60	60	60	60	60	60	60	60	60	60	60
Hay, Pressed																	
Hogs																	
Horses																	
Hides and Skins, Horns and Hoofs																	
Ice	1	25															
Iron, Railway	469	195															
" Pig	370	336															
" All other	87	7															
Iron Ore		1,071															
Kryolite or Chemical Ore, and other Ore, except Iron																	
Lard and Lard Oil	2	3															
Meats, all kinds		398															
Meats, other than Pork		9															
Marble	2																
Manilla	4	5															
Molasses	3																
Nails	114	60															
Oats		112															
Oil, in Barrels	37	494															
Oil Cake																	
Pease		254															
Potatoes	223	233															
Pork		3															
Paint	38	1															
Pitch and Tar																	
Rags	47	16															
Rye	34																
Rosin	4																
Salt	17	488															
Stone, intended for Cutting		325															
" unwrought																	
" not suitable for Cutting, unwrought																	
Seeds, all kinds	2,657	14,814	1,118														
Sheep																	
Soda Ash	69	36															
Steel	6	10															
Sugar	108	13															
Spirits	22	64															
Tobacco, Raw	1																
Tallow																	
Tin	17	40															
Turpentine																	
Vinegar	1																
Wheat	4,859	200	154														
White Lead	23	4															



APPENDIX A.—Continued.

No. (A) 24.—GENERAL STATEMENT showing the Quantity of each Article transported through the Welland Canal, &c.—Continued.

Articles.	From Canadian to United States Ports.		From United States to United States Ports.		From United States to Canadian Ports.		Tons.		Total Tons.	Amount of Tolls.
	Up.	Down.	Up.	Down.	Up.	Down.	Up.	Down.		
Whiting.....	1						6		6	\$ cts.
Wool.....			5	221				221	221	2 40
All other Goods and Merchandise, not enumerated.....										44 20
Bark.....	779	97	8,037	514	16	29	9,062	640	9,702	3,645 85
Barrels, Empty.....	210	2	454	9		3	734	14	748	4 00
Boat Knees.....										140 22
Floats.....										
Firewood, in Vessels.....	3,867	49,109				60	4,497	53,719	57,216	2,679 37
" " Rafts.....	120							120	120	7 00
Hoops.....					144			144	144	36 00
Lumber, Sawn, in Vessels.....	6,879	11,211	4	30,579		16,481	6,931	58,271	65,202	64 00
" " Rafts.....										10,350 26
Masts, Spars and Telegraph Poles, in Vessels.....										
Masts, Spars and Telegraph Poles, in Rafts.....										
Railway Ties, in Vessels.....										
" " Rafts.....										
Saw Logs.....		4,325				1,926	1,926	5,359	7,285	274 21
Staves and Headings, Barrel.....										10 00
" " Pipe.....		619								1,372 01
" " West India Shingles.....		333				5,107	3,261	7,308	7,308	722 22
Staves, Salt Barrel.....										
Split Posts and Fence Rails, in Vessels.....	55	60						173	228	93 87
Split Posts and Fence Rails, in Rafts.....										

	60	10,729	580	12,868	85,544	60	109,721	109,781	16,441
	100	361		1,448	70	100	1,872	1,972	92
Timber, Square, in Vessels.....									
Traverses, " " " " " " " "									
Woodenware and Wood, partly manufactured .....		157			37	185	219	404	132
Total Freight paying Tolls.	22,632	13,907		25,634	495,564	300,151	863,209	1,163,360	205,884
Iron, Iron Ore, &c., having paid full toll on the St. Law- rence, Chambly and Rideau Canals, Free. ....	1,547	3,006	7,485			12,038		12,038	
Timber passed free from Wel- land to Port Robinson .....									
Grand Total Freight .....	24,179	16,913	7,515	234,634	496,564	312,189	863,209	1,175,398	
Total Tolls on Vessels.....									
Passengers.....									26,874
Free Goods.....									445
Fines, Damages and other Receipts .....									\$1,196
Total Revenue, exclusive of Hydraulic Rents.....									1,415
									284,619

INLAND REVENUE DEPARTMENT,  
OTTAWA, 31st December, 1877.

A. BRUNEL,  
Commissioner.

APPENDIX A—Continued.

No. (A) 25.—GENERAL STATEMENT showing the Quantity of each Article transported through the St. Lawrence Canals and the Amount of Revenue collected during the Season of Navigation in 1877.

Articles.	From Canadian Ports.		From United States Ports.		From United States to Canadian Ports.		Tons.		Total Tons.	Amount of Tolls. \$ cts.
	Up.	Down.	Up.	Down.	Up.	Down.	Up.	Down.		
Askes, Pot and Pearl.....	13	1,043					33	1,288	1,291	221 75
Apples.....	97	5,013				1	97	5,029	5,126	742 05
Agricultural Products, not enumerated, Vegetable.....	1,060	1,189					1,001	1,189	2,190	271 13
Agricultural Products, not enumerated, Animal.....	149	867				1	158	1,003	1,161	115 42
Agricultural Implements.....	175	42					175	42	217	17 78
Barley.....	214	17,765				25	214	17,790	18,004	1,999 83
Bricks.....	3,240	423				22	3,506	445	3,951	240 67
Bones.....	57	549						668	666	76 19
Baggage.....	369	549					369	549	918	143 59
Beer.....	238	8					241	8	249	28 10
Brimstone, Crude.....	810	575					854	2,372	3,276	391 42
Cement and Water Lime.....	3,205	1,716				114	5,496	2,069	7,565	362 32
Clay, Lime and Sand.....	53	11,729				2,267	3,373	29,568	29,941	4,003 00
Coal.....	1,401	33,342				29	1,618	34,465	36,083	4,619 30
Corn.....	70	1,028				6	70	1,028	1,098	76 73
Cattle.....	93	3					93	3	96	7 16
Cotton, Raw.....	7	1				10	17	1	18	2 05
Crockery.....	764	12					765	12	777	153 11
Dye Wood and Dye Stuffs.....	3	2				76	79	2	81	4 86
Earthenware.....	458	4					478	4	482	92 68
Fish.....	1,920	170				19	2,206	170	2,376	271 76
Flax and Hemp.....	3	45				5	5	45	53	2 34
Flour.....	2,111	9,368				5	2,123	9,391	11,514	1,437 02
Furniture.....	1,178	65				1	179	66	245	26 18
Gypsum.....	1,921	242				47	1,968	289	2,257	115 26
Glass.....	985	23					1,008	25	1,033	198 77
Glassware.....	92	414					99	414	513	96 64

	950	159			960	159	1,109	90 11
Hay, Pressed.....		159			960	159	1,109	90 11
Hogs.....	123	123			123	123	123	10 33
Horses.....	309	309	2		150	309	459	36 14
Hides & Skins, Horns & Hoofs.....	29	265	1		42	265	307	37 86
Ice.....								
Iron, Railway.....	10,144	350			11,318	350	11,688	1,633 70
" " Pig.....	7,895	200			8,105	25	8,130	789 43
" " All other.....	5,770	2,713		56	6,051	2,785	9,836	1,051 36
" " Ore.....	72	156		2,609	228	2,812	3,940	1,153 00
Kryolite or Chemical Ore, and other Ore, except Iron.....		116				2,193	2,193	109 65
Lard and Lard Oil.....	107	53			107	53	160	18 51
Meals, all kinds.....	427	1,056	2		427	1,056	1,485	125 57
Meats, other than Pork.....	15	92		17	32	92	124	15 79
Marble.....	86			32	118		118	18 65
Manilla.....	39	5			71	5	76	15 28
Molasses.....	672	49			3,695	49	3,744	246 89
Nails.....	3,333	124	145	2,878	3,608	126	3,734	802 02
Oats.....	693	4,703	389	2	693	5,097	5,790	313 37
Oil in Barrels.....	1,191	682	4	2	1,326	664	1,990	286 51
Oil Cake.....	1	2			1	2	3	0 34
Peas.....	3,909	21,836			3,909	21,836	25,745	1,979 31
Potatoes.....	761	219			761	219	980	125 82
Pork.....	515	218	2	8	515	228	743	70 32
Print.....	249	6		42	297	6	302	52 57
Pitch and Tar.....	81	152		1,087	1,183	152	1,335	79 86
Rags.....	564	183		36	684	183	867	101 91
Rye.....	631					631	94 43	63 1
Rosin.....	89	26		1,321	1,431	26	1,457	86 68
Salt.....	8,117	30	1	27	9,527	59	9,586	1,138 36
Stone intended for Cutting.....	58	89		105	163	189	352	34 41
" " Wrought.....	15	21			16	173	189	34 25
Seeds, all kinds.....	105	3,463			105	3,462	3,567	126 15
Sheep.....	11	29			11	29	40	4 68
Soda Ash.....	3	467			3	467	470	33 18
Steel.....	786	9	3	51	840	9	849	137 17
Sugar.....	2,014	50	20	75	2,107	19	2,126	13 93
Spirits.....	655	143	1		656	145	801	350 81
Tobacco, Raw.....	31	1		2	33	8	41	4 83
Tallow.....	12	48	2	6	14	48	62	8 39
Tin.....	488	14	10	6	504	14	518	104 64
Turpentine.....	3	2		613	646	2	648	33 15
Vinegar.....	26	248			26	248	274	53 24
Wheat.....	1,175	71,662	152	135	1,327	72,683	74,010	8,930 95
White Lead.....	63	13			76	14	76	14 65
Whiting.....	148				148		148	29 98

APPENDIX A.—Continued.

No. (A) 25.—GENERAL STATEMENT showing the Quantity of each Article transported through the St. Lawrence Canals, &c.—Continued.

Articles.	From Canadian to Canadian Ports.		From Canadian to United States Ports.		From United States to United States Ports.		From United States to Canadian Ports.		Tons.		Total Tons.	Amount of Tolls. \$ cts
	Up.	Down.	Up.	Down.	Up.	Down.	Up.	Down.	Up.	Down.		
Wool .....	76	1			5		4		85	1	86	7 44
All other Goods and Merchandise not enumerated.....	8,365	2,043	90	188	298	601	924	131	9,677	2,933	12,610	1,787 07
Bark .....	20								20		20	0 75
Barrels, Empty .....	358	86	29					4	387	90	477	81 82
Boat Knees .....	116								116		116	2 40
Floats .....	4,880								4,880		4,880	85 44
Firewood, in Vessels.....	2,566	42,060	1,185	237	192	72			3,963	42,369	46,332	1,188 10
"    in Rafts.....												
Hoops.....	3	53			47	7			50	60	110	11 50
Hop Poles.....	761								751		751	67 50
Lumber, Sawed, in Vessels.....	16,439	31,537	146	3,477	36	268		4,601	16,671	39,883	56,554	3,687 94
"    "    in Rafts.....	500	17,044							500	17,044	17,544	789 47
Masts, Spars and Telegraph Poles, in Vessels.....		52								52	52	2 60
Masts, Spars and Telegraph Poles, in Rafts.....		6,162						200		6,362	6,362	174 05
Railway Ties, in Vessels.....												
"    "    in Rafts.....												
Saw Logs.....		9,780						200		200	200	20 00
Staves and Headings, Barrel.....		613								9,780	9,780	223 52
"    "    Pipe.....		800								613	613	42 25
"    "    West India.....		1,504						88		888	888	111 00
Staves, Salt Barrel.....								80		1,584	1,584	228 60
Shingles .....	17								18	4	22	4 12
Split Posts and Fence Rails, in Vessels.....		4										
Split Posts and Fence Rails, in Rafts.....		3										

	60	4,333	40	30	100	4,453	219 75
Timber, Square, in Vessels	70	13,261		860	70	14,281	457 35
Traverses		9,100				9,100	23 68
Woodenware and Wood, partly manufactured	330	212		19	330	561	184 95
Total Freight paying Tolls	100,840	341,514	4,980	28,615	118,020	379,516	44,663 51
Barley having paid full Toll on the Welland Canal, Free		7,861	765			7,861	
Corn		91,424		8,989		100,423	
Flour		6,640		67		6,707	
Oats		102		384		486	
Peas		182		21		203	
Petroleum				482		482	
Wheat		129,756		4,241		133,997	
Coal, Free, as per Order in Council					91,017	91,017	
Iron, Pig, Free, as per Order in Council		21,558	5				
Iron, all other, Free, as per Order in Council		360				360	
Iron Ore, having paid full Toll on the Chambly Canal, Free							
Kryolite, Free		2,301				2,414	
Grand Total Freight	122,398	580,140	4,985	42,809	209,037	632,449	841,486

Total Revenue, exclusive of Hydraulic Rents..... 72,007 94

INLAND REVENUE DEPARTMENT,  
OTTAWA, 31st December, 1877.

A. BRUNEL,  
Commissioner.

Total Tolls on Vessels	14,585 93
Passengers	2,783 57
Free Goods	\$41,670 37
Fines and Damages	683 00
Wharfage and Storage	8,562 86
Winterage, Basin Dues and other Receipts	739 07

APPENDIX A.—Continued

No. (A) 26.—GENERAL STATEMENT showing the Quantity of each Article transported through the Burlington Bay Canal, and the amount of Revenue collected during the Season of Navigation in 1877.

Articles.	From Canadian Ports.		From Canadian to United States Ports.		From United States Ports.		From United States to Canadian Ports.		Tons.		Total Tons.	Amount of Tolls. \$ cts.
	Up.	Down.	Up.	Down.	Up.	Down.	Up.	Down.	Up.	Down.		
Ashes, Pot and Pearl.....		265								745	745	
Apples.....		330		480						330	330	
Agricultural Products not enumerated, Vegetable.....	18								18	8	26	
Agricultural Products not enumerated, Animal.....	26	9					30		56	9	65	
Agricultural Implements.....	3	74							3	74	77	
Barley.....	207	171		1,768					207	1,939	2,146	
Bricks.....	14		30				65		109		109	
Bones.....									60	69	129	
Baggage.....	60	69							19	11	30	
Beer.....	19	11										
Briarstone, Crude.....									78		78	
Cement and Water Lime.....	21						57		790		790	
Clay, Lime and Sand.....	3						787		51,469		52,822	
Coal.....	582	771							771		771	
Corn.....												
Cattle.....	1								1	1	2	
Cotton, Raw.....												
Coffee.....	4						25		29		29	
Crockery.....	79	2							79	2	81	
Dye Wood and Dye Stuffs.....	2								14		14	
Earthenware.....	253								260		260	
Fish.....	254								256		256	
Flax and Hemp.....												
Flour.....		1,278										
Furniture.....	15	6							15	6	21	
Gypsum.....												
Glass, Window.....	64	5							65	5	70	
Glassware.....	397	269							401	269	670	

Hay, Pressed	48	26	42	48	26	42	48	26	42	48	26	42	48
Horns													
Hides and Skins, Horns and Hoofs													
Ice													
Iron, Railway	5,436	18	529	33	5,487	42	517	529	6,016	42	517	6,016	
" Pig	1,706		20	1,905	3,611		20	3,611	3,631		20	3,631	
" All other	1,037	7	517	26	1,070		517	1,070	1,587		517	1,587	
Iron Ore													
Kryolite or Chemical Ore, and other Ore, excepting Iron													
Lard and Lard Oil	7	4			7			4	11		4	11	
Meals, all kinds		12						12	12		12	12	
Meats, other than Pork		12						12	12		12	12	
Manilla	12	13		65	77			13	90		13	90	
Molasses	7				7			7	7		7	7	
Nails	210	38		154	364			38	402		38	402	
Oil	1,044			19	1,563			1,563	1,563		1,563	1,563	
Oil, in Barrels	110	81		28	138			81	219		81	219	
Oil Cake	3				3			3	3		3	3	
Pease	120	303		925	120			1,228	1,348		1,228	1,348	
Potatoes	50	4			50			4	54		4	54	
Pork	8	74			8			74	82		74	82	
Paint	68	1		4	74			1	75		1	75	
Pitch and Tar	9				11			11	11		11	11	
Rags	3	21			3			21	24		21	24	
Rye													
Rosin	9			243	288			243	243		243	243	
Salt	330	9		379	288			288	288		288	288	
Stone, intended for Cutting	248	2		1,427	340			340	340		340	340	
" Wrought					1,675			1,675	1,677		1,675	1,677	
" not suitable for Cutting, Unwrought													
Sheep, all kinds													
Soda Ash	110			56	166			166	166		166	166	
Steel													
Sugar	549	20		297	846			20	866		20	866	
Spirits	136	71			136			71	207		71	207	
Tobacco, Raw	15	21		1	16			21	37		21	37	
Tallow		1						1	1		1	1	
Tin	55				55			55	55		55	55	
Turpentine	14			8	22			22	22		22	22	
Vinegar	1	363			1			363	364		363	364	
Wheat		1,485		430	430			1,698	2,128		1,698	2,128	
White Lead	37				37			37	37		37	37	



APPENDIX A.—Continued.  
 NO. (A.) 26 —GENERAL STATEMENT showing the Quantity of each Article transported through the Burlington Bay Canal, &c.—Concluded.

Articles.	From Canadian to Canadian Ports.		From Canadian to United States Ports.		From United States to United States Ports.		From United States to Canadian Ports.		Tons.		Total Tons.	Amount of Tolls. \$ cts.
	Up.	Down.	Up.	Down.	Up.	Down.	Up.	Down.	Up.	Down.		
Whiting .....	24								24		24	
Wool .....	26	21							26	21	47	
All other Goods and Merchandise not enumerated.												
Bark .....	3,244	1,707	1	5			335		3,580	1,712	5,292	
Barrels, Empty .....	33								33		33	
Boat Knees .....												
Floats .....												
Firewood, in Vessels .....	282								282		282	
Rafts .....												
Hoops .....												
Hop Poles .....												
Lumber, Saw'n, in Vessels .....	476			987					476	987	1,463	
Rafts .....												
Masts, Spars and Telegraph Poles, in Vessels .....		250								250	250	
Masts, Spars and Telegraph Poles, in Rafts .....												
Railway Ties, in Vessels .....												
Rafts .....												
Saw Logs .....												
Staves and Headings, Barrel .....		432								432	432	
Pipe .....		208								268	208	
West India .....												
Staves, Salt Barrel .....				286						286	286	
Shingles .....												
Split Posts and Fence Rails, in Vessels .....												
Rafts .....												
Split Posts and Fence Rails, in Rafts .....												



APPENDIX A.---Continued.

No. (A) 27.---GENERAL STATEMENT showing the Quantity of each Article transported on the Ottawa Canals, and the Amount of Revenue collected during the Season of Navigation in 1877.

Articles.	From Canadian to Canadian Ports.		From Canadian to United States Ports.		From United States to United States Ports.		From United States to Canadian Ports.		Tons.		Total Tons.	Amount of Tolls. \$ cts.
	Up.	Down.	Up.	Down.	Up.	Down.	Up.	Down.	Up.	Down.		
Ashes, Pot and Pearl.....		95								95	95	16 15
Apples.....		25								25	25	1 67
Agricultural Products not enumerated, Vegetable.....	13	71							13	71	84	5 74
Agricultural Products not enumerated, Animal.....	1	380							1	480	481	48 54
Barley.....	2	12		109					2	12	14	1 30
Bricks.....	11	741							11	741	741	50 82
Bones.....		84								84	95	2 38
Baggage.....	20	116							20	116	136	15 02
Beers.....	39								39		39	11 95
Brimstone.....												
Cement and Water Lime.....	4	1,351							4	1,351	1,355	126 16
Clay, Lime and Sand.....		5,452								5,452	5,452	217 24
Coal.....												
Corn.....												
Cattle.....	1	437							1	437	438	29 37
Cotton, Raw.....												
Coffee.....												
Crockery.....												
Dye Wood and Dye Stuffs.....												
Earthenware.....												
Fish.....	1	2							1	2	3	0 17
Flax and Hemp.....												
Flour.....	52	40							52	40	92	5 26
Furniture.....	5	57							5	57	62	9 26
Gypsum.....												
Glass, Window.....												
Glassware.....											1	0 10



APPENDIX A.—Continued.

No. (A) 27.—GENERAL STATEMENT showing the Quantity of each Article transported through the Ottawa Canals, &c.—Continued.

Articles.	From Canadian Ports.		From Canadian to United States Ports.		From United States to United States Ports.		From United States to Canadian Ports.		Tons.		Total Tons.	Amount of Tolls. \$ cts.
	Up.	Down.	Up.	Down.	Up.	Down.	Up.	Down.	Up.	Down.		
Whiting.....		3								3	3	0 21
Wool.....												
All other Goods and Merchandise not enumerated.....	469	287							469	287	756	50 53
Bark.....	1	101							1	101	102	14 09
Barrels, Empty.....												
Boat Knees.....		2,849								2,849	2,849	30 57
Floats.....	45	106,599		891					45	107,490	107,535	3,539 86
Firewood, in Vessels.....		399								399	399	3 99
" " Rafts.....		29								29	29	2 90
Hoops.....		769								769	769	23 90
Hop Poles.....		143,866								143,866	143,866	30,636 17
Lumber, Sawn, in Vessels.....	81	21,938		181,327					81	325,183	325,264	640 46
" " Rafts.....										21,938	21,938	
Masts, Spars, and Telegraph Poles, in Vessels.....												
Masts, Spars, and Telegraph Poles, in Rafts.....												
Railway Ties, in Vessels.....												
" " Rafts.....												
Saw Logs.....		901								901	901	24 60
Staves and Headings, Barrel Pipe.....		21								21	21	3 60
" " " West India.....												
Staves, Salt Barrel.....		100								100	100	27 95
Shingles.....												
Split Posts and Fence Rails, in Vessels.....												
Split Posts and Fence Rails, in Rafts.....												

Timber, Square, in Vessels.....	4,879	4,879	4,879	99 28
Trawlers.....	922	922	922	5 03
Woodenware and Wood partly manufactured.....	56	56	56	15 30
Total Freight paying Tolls	828	828	487,683	36,565 82
Coal and Stone, free, per Order in Council.....	88	88	88	
Grand Total Freight.....	916	916	486,735	487,651
Total Tolls on Vessels.....				
do Passengers.....				4,719 81
do Free Coal and Stone.....				428 32
do do Wharfrage and Storage.....			\$4 84	5 22
do do Fines and Damages.....				5 00
do do Other Receipts.....				8 00
Total Revenue, exclusive of Hydraulic Rents.....				41,732 17

A. BRUNEL,  
Commissioner.

INLAND REVENUE DEPARTMENT,  
OTTAWA, 31st December, 1877.

APPENDIX A.—Continued.

No. (A) 28.—GENERAL STATEMENT showing the Quantity of each Article transported on the Chambly Canal, and the Amount of Revenue collected, during the Season of Navigation in 1877.

Articles.	From Canadian to Canadian Ports.		From United States to United States Ports.		From United States to Canadian Ports.		Tons.		Total Tons.	Amount of Tolls. \$ cts.
	Up.	Down.	Up.	Down.	Up.	Down.	Up.	Down.		
Ashes, Pot and Pearl .....										112 60
Apples .....		158					1,126		1,126	1,471
Agricultural Products not enumerated, Vegetable .....	726									1,471
Agricultural Products not enumerated, Animal .....	43						43		115	3 90
Agricultural Implements .....	2						2		2	0 20
Barley .....		446	1,498				1,498	446	1,944	124 47
Bricks .....	1,138						1,138	166	1,304	71 23
Bones .....							1,097		1,097	109 70
Baggage .....	2							2	2	0 20
Beer .....										
Brimstone .....										
Cement and Water Lime .....										
Clay, Lime and Sand .....	35	84	115				150	2,263	2,413	222 84
Coal .....							102,509	102,509	102,509	16,320 79
Corn .....								171	171	5 84
Cattle .....		171								
Cotton, Raw .....								7	7	0 70
Coffee .....										
Crockery .....	3									
Dye Wood and Dye Stuffs .....								78	78	7 80
Earthenware .....										
Fish .....			10				10		10	1 00
Flax and Hemp .....										6 60
Flour .....	358	18					358	29	387	15 85
Furniture .....	2						1	3	3	0 27
Gypsum .....	50						50		50	1 68
Glass, Window .....										

	1,281	144	1,136	2,417	144	2,561	162 98
Hay, Pressed	5	102	64	11	102	107	3 71
Hogs							
Hides and Skins, Horns and Hoofs..				64		75	7 50
Ice	67			1,445	1,445	1,512	146 74
Iron, Railway	11			8	11	19	3 55
" Pig	8			4,053	4,053	4,054	522 44
" all other	1			7,395	7,395	7,395	369 75
Iron Ore							
Kryolite or Chemical Ore, and other Ore, except Iron		254		254		254	12 70
Lard and Lard Oil	11	96	50	61	96	157	8 90
Meals, all kinds				5	5	5	0 50
Marble				32	32	32	3 20
Manilla							
Molasses	5			2,908	2,908	2,913	291 30
Nails							
Oats	151	1,824		151	1,824	1,976	108 93
Oils, in Barrels	1			211	211	212	21 17
Oil Cake							
Pease	2,443				2,443	2,443	81 51
Potatoes	9	122		122	9	131	13 10
Pork				4	4	4	0 40
Paint	1			33	34	34	3 40
Pitch and Tar	2			1,157	1,157	1,559	115 90
Rags	1			95	96	96	9 60
Eye							
Rosin							
Salt	907			1,459	1,459	1,459	145 90
Stones, intended for Cutting				262	262	1,169	107 30
" Wrought	13			1,822	1,822	1,822	182 20
" not suitable for Cutting, Unwrought				8			
Seeds, all kinds	8	237		8	237	245	8 71
Sheep							
Soda Ash							
Steel	1			96	96	97	9 70
Sugar							
Spirits							
Tobacco, Raw							
Tallow							
Tin							
Turpentine							
Vinegar							
Wheat							
White Lead							





	10	10	10	10	10	10	10	17
Timber, Square, in Vessels.....								
Rafts.....								
Traverses.....	35							35
Woodenware and Wood partly manufactured.....								
Total Freight paying Tolls..	9,087	7,311	42,040			7,407	51,107	137,211
Coal and Stone, Free, per Or- der in Council.....	120						120	9,265
Grand Total Freight.....	9,187	7,311	42,040			7,407	51,227	146,476
								188,318
								9,385
								197,703
Total Tolls on Vessels.....								
Passengers.....								
Free Coal and Stone.....								
Fines and Damages.....								
Total Revenue, exclusive of Hydraulic Rents.....								
2,722 25								
96 37								
10 00								
19,000 97								

A. BRUNEL,  
*Commissioner.*

INLAND REVENUE DEPARTMENT,  
OTTAWA, 31st December, 1877

APPENDIX A.—Continued.

No (A) 29.—GENERAL STATEMENT showing the Quantity of each Article transported through the Rideau Canal, and the Amount of Revenue collected, during the Season of Navigation in 1877.

Articles.	From Canadian Ports.		From Canadian to United States Ports.		From United States to United States Ports.		From United States to Canadian Ports.		Tons.		Total Tons.	Amount of Tolls. \$ cts.
	Up.	Down.	Up.	Down.	Up.	Down.	Up.	Down.	Up.	Down.		
Ashes, Pot and Pearl.....	3	58							3	58	61	12 23
Apples.....	27	4							27	4	31	0 79
Agricultural Products, not enumerated, Vegetable.....	160	153							160	153	313	30 77
Agricultural Products, not enumerated, Animal.....	338	860							338	860	1,198	76 94
Agricultural Implements.....	4	66							4	66	70	8 06
Barley.....	4								4		4	0 18
Bricks.....	172	17							172	17	189	4 74
Bones.....	71								71		71	11 18
Baggage.....	8								8		8	0 88
Beer.....	16	3							16	3	19	1 67
Brimstone, Crude.....												
Cement and Water Lime.....	76	194							76	194	270	19 52
Clay, Lime and Sand.....	44	126							44	126	170	4 28
Coal.....	1	2,343							1	2,343	2,344	110 98
Corn.....	90	342							90	342	432	12 79
Cattle.....												
Cotton, Raw.....												
Coffee.....	1								1		1	0 09
Crockerly.....	9	1							9	1	10	0 99
Dye Wood and Dye Stuffs.....												
Earthenware.....	32	7							32	7	39	3 47
Fish.....	305	21							305	21	326	8 23
Flax and Hemp.....												
Flour.....	98	164							98	164	262	7 09
Furniture.....	22	46							22	46	68	6 05
Gypsum.....	53	24							53	24	77	1 96
Glass, Window.....	27								27		27	2 39
Glassware.....	3								3		3	0 27

Hay, Pressed.....	1	1	0 02
Hogs.....	29	29	0 83
Horses.....	11	11	0 28
Hides and Skins, Horns and Hoofs.....	143	143	4 36
Ice.....	607	607	25 41
Iron, Railway.....	250	250	12 50
" " All other.....	2,949	2,949	147 45
Iron Ore.....	23	23	0 61
Kryolite or Chemical Ore, and other Ore, except Iron.....	243	243	7 51
Lard and Lard Oil.....	11	11	0 36
Meats, all kinds.....	1	1	0 09
Meats, other than Pork.....	12	12	1 07
Marble.....	109	109	9 99
Manilla.....	219	219	20 04
Molasses.....	104	104	3 19
Nails.....	50	73	13 32
Oats.....	6	6	2 29
Oil, in Barrels.....	26	26	1 04
Oil Cake.....	23	23	0 77
Pease.....	4	4	0 35
Potatoes.....	23	23	5 89
Pork.....	3	3	7 89
Paint.....	45	45	1 14
Pitch and Tar.....	27	27	40 50
Rags.....	27	27	5 16
Rye.....	267	267	3 27
Rosin.....	13	13	0 31
Salt.....	1,209	1,209	2 10
Stone, intended for Cutting.....	63	63	0 18
" wrought.....	142	142	28 37
" not suitable for Cutting.....	25	25	9 37
Seeds, all kinds.....	7	7	0 32
Sheep.....	7	7	1 42
Soda Ash.....	24	24	0 63
Steel.....	2	2	6 06
Sugar.....	249	249	0 09
Spirits.....	75	75	0 32
Tobacco, Raw.....	14	14	1 42
Tallow.....	3	3	0 31
Tin.....	1	1	2 10
Turpentine.....	14	14	0 18
Vinagar.....	4	4	28 37
Wheat.....	80	80	9 37
White Lead.....	1	1	0 79

APPENDIX A.—Continued.  
 No. (A) 29.—GENERAL STATEMENT showing the Quantity of each Article transported through the Rideau Canal.  
 &c.—Continued.

Articles.	From Canadian to Canadian Ports.		From Canadian to United States Ports.		From United States to United States Ports.		From United States to Canadian Ports.		Tons.		Total Tons.	Amount of Tolls. \$ cts.
	Up.	Down.	Up.	Down.	Up.	Down.	Up.	Down.	Up.	Down.		
Whiting .....	2								2		2	0 18
Wool .....	16	2							16	2	18	0 48
All other Goods and Merchandise, not enumerated .....	608	385							608	385	993	99 27
Bark .....	179	37							179	37	216	5 48
Barrels, Empty .....	30	17							30	17	47	2 46
Boat Knees .....												
Floats .....	3,135	1,280							3,135	1,280	4,415	100 80
Firewood, in Vessels .....	55,635	7,617							55,635	7,647	63,282	1,186 05
" " Rafts .....	234	84							234	84	318	6 64
Hoops .....												
Hop Poles .....	1,559								1,559		1,559	121 50
Lumber, Sawm, in Vessels .....	10,302	3,470							10,302	3,470	13,772	604 63
" " Rafts .....	12	44							12	44	56	2 08
Masts, Spars and Telegraph Poles, in Vessels .....												
Masts, Spars and Telegraph Poles, in Rafts .....	2,833								2,833		2,833	179 30
Railway Ties, in Vessels .....		9								9	9	0 75
" " Rafts .....	1,542	1,175							1,542	1,175	2,717	70 23
Saw Logs .....		388								388	388	15 75
Staves and Headings, Barrel .....												
" " Pipe .....												
Staves, Salt Barrel .....												
Shingles .....	75	1							75	1	76	21 38
Split Posts and Fence Rails, in Vessels .....	156								156		157	21 84
" " in Rafts .....											1	0 07

	60	2	60	2	62	1 13
Timber, Square, in Vessels.....						55 09
Traverses..... Rafts.....	167	167	620	167	787	61 20
Woodware and Wood, partly manufactured.....	3,370	3,370	3,120	3,370	6,490	
	63	146	63	146	209	29 90
Total Freight paying Tolls	88,017	24,325	88,017	24,325	112,342	3,284 26
Coal, Free, per Order in Council.....	1,700	24	1,700	24	1,724	
Grand Total Freight....	89,717	24,349	89,717	24,349	114,066	
Total Tolls on Vessels.....						1,530 67
"    Passengers.....						75 54
Fines and Damages.....						10 00
Wharfage and Storage.....						68 40
Other Receipts.....						167 00
Free Coal.....						\$46 60
Total Revenue, exclusive of Hydraulic Rents.....						\$5,135 87

A. BRUNEL,  
Commissioner,

INLAND REVENUE DEPARTMENT,  
OTTAWA, 31st December, 1877.

APPENDIX A.—Continued.

No. (A) 30.—GENERAL STATEMENT showing the Quantity of each Article transported through the St. Peter's Canal, and the Amount of Revenue collected during the Season of Navigation in 1877.

Articles.	From Canadian to Canadian Ports.		From Canadian to United States Ports.		From United States to United States Ports.		From United States to Canadian Ports.		Tons.	Total Tons.	Amount of Tolls.
	Up.	Down.	Up.	Down.	Up.	Down.	Up.	Down.			
.....											
.....											
.....											
.....											
.....											

NOTE.—This canal being closed for enlargement, no business has been done on it during this year.

A. BRUNEL,  
Commissioner.

INLAND REVENUE DEPARTMENT,  
OTTAWA, 31st December, 1877

APPENDIX A.—Continued.

No. (A) 31.—GENERAL STATEMENT showing the Quantity of each Article transported through the Newcastle District Canals, and the Amount of Revenue collected during the Season of Navigation in 1877.

Articles.	From Canadian to Canadian Ports		From Canadian to United States Ports.		From United States to United States Ports.		From United States to Canadian Ports.		Tons.		Total Tons.	Amount of Tolls. \$ cts.
	Up.	Down.	Up.	Down.	Up.	Down.	Up.	Down.	Up.	Down.		
Bark .....												
Firewood, in Vessels .....	7,524								7,524		7,524	127 41
Floats .....	80								80		80	1 50
Lumber, Sawm, in Vessels .....	5,721								5,721		5,721	34 16
Railway Ties .....	157								157		157	6 50
Saw Logs .....	11,693								11,693		11,693	34 91
Shingles .....	124								124		124	7 75
Split Posts, &c .....												
Timber, Square .....	1,268								1,268		1,268	14 25
Traverses .....	483								483		483	4 83
Iron Ore .....	105								105		105	0 60
Stone, unwrought .....												
Total Freight paying Tolls .....	27,155								27,155		27,155	231 91
Total Tolls on Vessels .....											83 00	
Other Receipts .....											0 13	
Total Revenue exclusive of Hydraulic Rents .....											314 04	

A. BRUNEL,  
Commissioner.

INLAND REVENUE DEPARTMENT,  
OTTAWA, 31st December, 1877.



## APPENDIX

## No. (A) 32.—STATEMENT of Traffic on the Undermentioned Canals, and

Articles.	Welland Canal		St. Lawrence Canals.		Chambly Canal.	
	Tons.	Tolls.	Tons.	Tolls.	Tons.	Tolls.
<i>Class No. 1.</i>		\$ cts.		\$ cts.		\$ cts.
Canadian Vessels, steam .....	193,557	3,124 39	752,765	5,012 09	72,779	324 60
United States Vessels, steam .....	164,032	2,928 52	27,053	175 53	102	1 49
Canadian Vessels, sail .....	561,154	11,321 37	758,695	8,271 17	71,283	1,120 99
United States Vessels, sail ..	425,061	9,500 05	100,249	1,127 14	89,827	1,275 17
Total Class No. 1.....	1,343,804	26,874 33	1,638,662	14,585 93	233,991	2,722 25
<i>Class No. 2.</i>	No.		No.		No.	
Passengers .....	10,360	445 57	58,817	2,783 57	4,687	96 37
<i>Class No. 3.</i>	Tons.		Tons.		Tons.	
Bricks .....	586	99 50	3,951	240 67	1,304	71 22
Brimstone .....	12	4 80				
Cement and Water Lime.....	269	48 63	3,276	391 42		
Clay, Lime and Sand.....	1,451	168 88	7,565	862 32	2,413	223 34
Coal .....	323,869	62,957 12	29,941	4,003 00	102,509	10,220 79
Fish .....	1,096	219 20	2,376	271 76	10	1 00
Gypsum .....	1,309	154 43	2,257	115 26	50	1 68
Iron, Railway.....	9,630	1,917 25	11,668	1,633 70	1,512	146 74
“ Pig .....	1,929	327 20	8,130	789 43	19	3 55
“ All other.....	7,767	1,547 36	8,836	1,051 35	4,054	522 44
Salt .....	9,193	1,835 61	9,586	1,138 36	1,169	107 30
Stone, for Cutting.....	4,194	816 38	352	34 41	1,822	182 20
Apples .....	651	27 63	5,126	742 05	1,471	140 40
Barley .....	19,870	3,873 65	18,004	1,999 83	1,914	124 47
Corn .....	169,196	33,838 45	36,083	4,619 30		
Cotton, Raw .....			96	7 16		
Flax and Hemp .....	1,217	243 40	53	2 34	6	0 60
Flour.....	13,558	1,113 78	11,514	1,437 02	387	15 85
Hay, Pressed .....	50	10 00	1,109	90 11	2,561	162 88
Meals, all kinds.....	742	80 15	1,485	125 57	157	8 90
Oil Cake .....	1	0 20	3	0 34		
Oats .....	2,810	560 75	5,790	313 37	1,975	108 93
Pease.....	473	83 80	25,745	1,979 31	2,443	81 51
Potatoes.....	489	65 27	980	125 82	131	13 10
Rye.....	2,439	481 85	631	94 43		
Seeds, all kinds.....	209	40 48	40	4 68		
Tobacco, Raw.....	43	8 43	41	4 83	5	0 60
Wheat .....	253,953	49,609 93	74,010	8,930 95		
All other Agricultural Pro- ducts, Vegetable .....	311	62 20	2,190	271 13	1,000	33 79
Bones .....			666	76 19	1,097	109 70
Cattle.....	11	2 20	1,098	76 73	171	5 84
Hogs .....			123	10 33		
Hides and Skins, Horns and Hoofs .....	129	23 14	307	37 86	75	7 50
Horses.....	70	14 00	459	36 14	107	3 71
Lard and Lard Oil .....	62	12 40	160	18 51		
Meats, other than Pork .....	45	9 00	124	15 79	5	0 50
Pork.....	303	60 80	743	70 32	4	0 40
Sheep.....	1	0 20	470	33 18	245	8 71
Tallow.....	123	24 60	62	8 39		

A.—Continued.

the Amount of Tolls collected during the Season of Navigation in 1877.

Burlington Bay Canal.		Ottawa Canals.		Rideau Canal.		St. Peter's Canal.		Newcastle District Canals.	
Tons.	Tolls.	Tons.	Tolls.	Tons.	Tolls.	Tons.	Tolls.	Tons.	Tolls.
	\$ cts.		\$ cts.		\$ cts.		\$ cts.		\$ cts.
261,109	3,033 63	214,000	746 21	45,587	444 66			4,475	60 00
67,619	676 19			10	0 50			4,202	22 00
106	2 12	176,847	2,413 20	112,790	1,027 34				
12,023	120 23	72,093	1,560 40	6,558	58 17				
340,857	3,832 17	462,940	4,719 81	164,945	1,530 67			8,677	82 00
No.		No.		No.		No.		No.	
30,535		36,446	428 32	3,109	75 54				
Tons.		Tons.		Tons.		Tons.		Tons.	
109		95	2 38	189	4 74				
78		1,355	126 16	270	19 52				
790		5,452	217 24	170	4 28				
52,822				2,344	110 98				
256		3	0 17	326	8 23				
				77	1 96				
6,016		22	0 64	11	0 28				
3,631		53	4 81	143	4 36				
1,587		164	14 49	816	25 41				
340				1,514	40 50				
1,677		2,888	267 17	205	5 16				
330		25	1 67	31	0 79				
2,146		741	50 82	4	0 18				
				432	12 79				
1,278		92	5 26	262	7 09				
		50	1 50						
12		1,098	101 33	243	7 51				
3									
		898	64 53	109	3 19				
1,348		4,799	316 29	29	2 29				
64		336	23 29	30	1 04				
243		35	3 24	269	7 89				
3		18	1 25	7	0 31				
37				17	0 79				
2,128		102	9 16	210	6 06				
26		84	5 74	313	30 77				
		83	15 02	71	11 18				
2		438	29 37						
1		56	3 86						
42		31	2 60	29	0 83				
74		234	14 18	1	0 02				
11				23	0 61				
12				11	0 36				
82				23	0 77				
		24	2 38						
		239	16 37						
1		1	0 07	5	0 32				

## APPENDIX

## No. (A) 32.—STATEMENT of Traffic on the undermentioned

Articles.	Welland Canal.		St. Lawrence Canals.		Chamby Canal.	
	Tons.	Tolls.	Tons.	Tolls.	Tons.	Tolls.
<i>Class No. 3.— Concluded.</i>		\$ cts.		\$ cts.		\$ cts.
Wool.....	221	44 20	86	7 44	161	10 77
All other Agricultural Pro- ducts, Animal.....	237	27 40	1,161	115 42	115	3 90
Total, Class No. 3.....	828,519	160,413 07	276,297	31,286 22	128,922	12,321 22
<i>Class No. 4.</i>						
Ashes, Pot and Pearl.....	464	44 55	1,291	221 75	1,126	112 60
Agricultural Implements.....	266	105 40	217	17 78	2	0 20
Baggage.....	8	3 20	918	143 59	2	0 20
Beer.....	65	25 90	249	28 10		
Coffee.....	56	22 05	18	2 05	7	0 70
Crockery.....	36	14 40	777	153 11		
Dye Woods and Dye Stuffs.....	726	288 65	81	4 86	78	7 80
Earthenware.....	66	26 05	482	92 68		
Furniture.....	131	51 85	245	26 18	3	0 27
Glassware.....	123	49 20	513	96 64		
Glass, Window.....	58	21 45	1,033	198 77		
Marble.....	1,902	760 80	118	18 65	32	3 20
Manilla.....	534	211 85	76	15 28		
Molasses.....	1,522	607 75	3,744	246 89	2,913	291 30
Nails.....	355	138 20	3,734	802 02		
Oil, in Barrels.....	3,531	1,408 70	1,990	296 51	212	21 17
Paint.....	328	131 20	302	52 57	34	3 40
Pitch and Tar.....	3	1 20	1,335	79 86	1,169	115 90
Rags.....	1,097	390 60	867	101 91	96	9 60
Rosin.....	68	10 05	1,457	88 68	1,459	145 90
Soda Ash.....	466	166 80	849	137 17		
Steel.....	34	9 75	70	13 93		
Sugar.....	2,719	1,075 50	2,126	350 81	97	9 70
Stone, Wrought.....	727	286 40	189	34 25	35	6 09
Tin.....	745	297 30	518	104 64		
Turpentine.....			648	33 15	657	65 70
Vinegar.....	7	1 75	274	53 24		
White Lead.....	101	40 40	76	14 65		
Whiting.....	6	2 40	148	29 98		
Whiskey and all other Spirits.....	359	133 45	801	135 63		
Merchandise, not enumerated.....	9,702	3,645 85	12,610	1,787 07	3,913	380 21
Total, Class No. 4.....	26,195	9,972 65	37,756	5,382 40	11,825	1,173 94
<i>Class No. 5.</i>						
Bark.....	40	4 00	20	0 75		
Barrels, Empty.....	748	140 22	477	81 82	92	13 51
Boat Knees.....			116	2 40		
Floats.....			4,880	85 44	1,200	72 00
Firewood, in Vessels.....	57,216	2,679 37	46,332	1,188 10	1,137	26 05
do Rafts.....	120	7 00				
Lumber, Sawed, in Vessels.....	65,202	10,350 26	56,554	3,687 94	37,415	2,178 04
do Rafts.....			17,544	789 47		

A.—Continued.

Canals, and the Amount of Tolls collected, &c.—Continued.

Burlington Bay Canal.		Ottawa Canals.		Rideau Canal.		St. Peter's Canal.		Newcastle District Canals.	
Tons.	Tolls.	Tons.	Tolls.	Tons.	Tolls.	Tons.	Tolls.	Tons.	Tolls.
	\$ cts.		\$ cts.		\$ cts.		\$ cts.		\$ cts.
47		3	0 21	18	0 48				
65		481	48 54	1,198	76 94				
75,251		19,910	1,349 74	9,400	397 63				
745		95	16 15	61	12 23				
77		14	1 30	67	8 06				
129		136	11 65	8	0 88				
30		39	1 95	19	1 67				
29				1	0 09				
81				10	0 99				
14									
260				39	3 47				
21		62	9 26	68	6 05				
670		1	0 10	3	0 27				
70				27	2 39				
90				1	0 09				
7		1	0 10	12	1 07				
402		2	0 38	109	9 99				
1,563		4	0 20	219	20 04				
219		5	0 60	123	13 62				
75				3	0 35				
11		51	9 43	67	5 89				
24		19	2 69	27	7 43				
288				13	1 14				
166				24	2 10				
				2	0 18				
866		7	0 40	301	28 37				
				25	3 27				
55				14	1 42				
22									
364		1	0 05	6	0 53				
37				1	0 09				
24				2	0 18				
207		15	0 80	104	9 37				
5,292		756	50 53	993	99 27				
11,838		1,308	105 59	2,349	240 50				
				216	5 48				
33		102	14 09	47	2 46				
		2,849	30 57	4,415	100 80			80	1 50
282		107,535	3,539 86	63,282	1,186 05			7,524	127 41
		399	3 99	318	6 64				
1,463		325,264	30,636 17	13,772	604 53			5,721	34 16
		21,938	640 46	56	2 08				

## APPENDIX

## No. (A) 32.—STATEMENT of Traffic on the undermentioned

Articles.	Welland Canal.		St. Lawrence Canals.		Chambly Canal.	
	Tons.	Tolls.	Tons.	Tolls.	Tons.	Tolls.
<i>Class No. 5.—Concluded.</i>		\$ cts.		\$ cts.		\$ cts.
Hoops .....	144	36 00	110	11 50		
Railway Ties, in Vessels.....			200	20 00		
"    Rafts.....						
Masts, Spars and Telegraph Poles, in Vessels.....			52	2 60		
Masts, Spars and Telegraph Poles, in Rafts .....			6,362	174 05		
Square Timber, in Vessels...	109,781	16,441 92	4,453	219 75	10	0 17
"    Rafts.....	1,972	405 34	14,281	457 35		
Woodenware and Wood partly manufactured.....	404	132 20	561	184 95		
Shingles .....	228	93 87	22	4 12	20	3 32
Split Posts and Fence Rails, in Vessels .....			3	0 30	13	0 95
Split Posts and Fence Rails, in Rafts.....						
Saw Logs .....	7,285	274 21	9,780	223 52		
Staves and Headings, Barrel	63	10 00	613	42 25		
"    Pipe .....	7,308	1,372 01	888	111 00		
"    West India..	3,740	722 22	1,584	228 60		
"    Salt Barrel..						
Traverses .....			9,100	23 68	35	0 70
Hop Poles.....	534	64 00	751	67 50		
<b>Total Class No. 5 .....</b>	<b>254,785</b>	<b>32,732 62</b>	<b>174,683</b>	<b>7,607 09</b>	<b>39,922</b>	<b>2,294 74</b>
<i>Special Class.</i>						
Kryolite or Chemical Ore.....			2,193	109 65	254	12 70
Iron Ore .....	34,703	1,735 15	3,040	152 00	7,395	369 75
Stone unwrought, not suitable for cutting.....	19,158	1,030 76	3,567	126 15		
Ice .....						
<b>Total Special Class .....</b>	<b>53,861</b>	<b>2,765 91</b>	<b>8,800</b>	<b>387 80</b>	<b>7,649</b>	<b>382 45</b>
<b>Total Freight and Tolls .....</b>	<b>1,163,360</b>	<b>233,204 15</b>	<b>497,536</b>	<b>62,033 01</b>	<b>188,318</b>	<b>18,990 97</b>
Timber and other Wood, Free						
Wheat, Corn, Flour, Iron, Salt, Coal, &c., Free.....	12,038	1,196 85	343,950	41,670 37	9,385	934 50
<b>Grand Totals (Passengers and Tonnage of Vessels not included).....</b>	<b>1,175,398</b>	<b>234,401 00</b>	<b>841,486</b>	<b>103,703 38</b>	<b>197,703</b>	<b>19,925 47</b>

NOTE—St. Peter's Canal being closed for enlargement,

INLAND REVENUE DEPARTMENT.

OTTAWA, 31st December, 1877.

A.—Continued.

Canals, and the Amount of Tolls collected, &c.—Continued.

Burlington Bay Canal.		Ottawa Canals.		Rideau Canal.		St. Peter's Canal.		Newcastle District Canals.	
Tons.	Tolls.	Tons.	Tolls.	Tons.	Tolls.	Tons.	Tolls.	Tons.	Tolls.
	\$ cts.		\$ cts.		\$ cts.		\$ cts.		\$ cts.
		29	2 90						
				2,833	179 30			157	6 50
				9	0 75				
250									
2,580				62	1 13			1,268	14 25
8,140		4,879	99 58	787	55 09				
88		56	15 30	209	29 90				
233		100	27 95	76	21 38			124	7 75
				157	21 84				
				1	0 07				
		901	24 50	2,717	70 23			11,693	34 91
		21	3 60	388	15 75				
432									
208									
		922	5 02	6,490	61 20				
		769	29 90	1,559	121 50				
13,709		465,764	35,073 89	97,394	2,486 18			26,567	226 48
		559	31 00	2,949	147 45				
		112	5 60	250	12 50			483	4 83
								105	0 60
		681	36 80	3,199	159 95			588	5 43
100,798	3,832 17	487,563	41,713 95	112,342	4,890 47			27,155	313 91
		88	4 84	1,724	46 60				
100,798	3,832 17	487,651	41,718 79	114,066	4,937 07			27,155	313 91

no business has been done on it during this year.

A. BRUNEL,  
Commissioner.

APPENDIX A.—Continued.

No. (A) 34.—STATEMENT showing the Amount of Tolls accrued each Month during the Season of Navigation in 1877.

Canals and Offices.	April.		May.		June.		July.		August.		September.		October.		November.		December.		Totals.	
	\$	cts.	\$	cts.	\$	cts.	\$	cts.	\$	cts.	\$	cts.	\$	cts.	\$	cts.	\$	cts.	\$	cts.
<b>WELLAND CANAL.</b>																				
Chippawa.....	0	25	3	10	23	05	13	17	26	51	2	00	25	99	28	04	1	25	122	36
Colborne.....	4,329	44	21,725	94	22,007	69	21,428	28	24,164	19	28,026	84	21,157	32	17,650	33	743	47	161,243	50
Dalhousie.....	2,420	55	10,333	71	9,062	38	9,536	23	7,634	71	9,065	57	9,764	85	7,988	90	127	85	65,933	73
Dunnville.....	31	70	100	39	34	19	0	75	0	75	29	79	72	82	183	81	.....	.....	454	20
Maitland.....	114	14	238	93	151	76	204	68	184	93	222	43	131	50	222	10	28	26	1,498	73
Robinson.....	278	48	288	60	291	91	135	88	184	72	229	85	287	97	186	84	102	09	1,986	38
St. Catharines.....	148	87	269	70	334	39	400	20	288	33	165	93	178	49	171	58	7	76	1,965	25
Total Welland Canal....	7,323	43	32,960	37	31,905	35	31,717	19	32,484	14	37,742	45	31,618	94	26,441	60	1,010	68	233,204	15
<b>St. LAWRENCE CANALS.</b>																				
Beauharnois.....	.....	.....	211	08	239	07	223	91	211	96	380	09	832	70	408	76	.....	.....	2,557	57
Cornwall.....	.....	.....	1,755	28	2,818	32	1,554	90	1,005	13	1,668	33	3,866	85	2,935	29	2	55	15,606	65
Edwardsburg.....	.....	.....	147	51	39	83	67	97	51	68	56	98	40	19	157	80	8	95	570	86
Kingston.....	.....	.....	2,328	64	2,080	13	1,394	18	1,656	19	3,451	82	3,655	69	940	23	.....	.....	15,506	88
Lachine.....	.....	.....	262	23	268	73	323	40	660	01	824	61	384	19	215	05	.....	.....	2,938	22
Montreal.....	.....	.....	2,862	05	3,584	51	3,553	73	3,728	32	3,488	53	4,506	87	2,804	18	24	64	24,852	83
Total St. Lawrence Canals.....	.....	.....	7,566	79	9,330	64	7,118	09	7,313	19	9,870	36	13,336	49	7,461	31	36	14	62,033	01
<b>CHAMBLEY CANAL.</b>																				
Chambley.....	.....	.....	477	51	552	41	433	43	494	23	294	93	663	42	549	58	.....	.....	3,467	56
St. Johns.....	.....	.....	2,479	81	2,057	45	2,894	95	1,880	95	1,982	41	2,522	21	1,125	75	.....	.....	14,853	53
St. Ours.....	.....	.....	84	03	114	02	75	53	66	15	61	84	128	43	106	33	.....	.....	669	88
Total Chambley Canal....	83	65	3,041	35	2,723	88	3,313	91	2,441	38	3,339	18	3,317	06	1,780	66	.....	.....	18,990	97

	82 97	525 62	624 41	639 32	614 81	559 56	463 13	310 54	11 81	3,832 17
<b>BURLINGTON BAY CANAL.</b>										
Hamilton .....										
<b>OTTAWA CANALS.</b>										
Ottawa .....	2 97	2,885 42	5,466 44	3,600 11	4,601 13	2,806 30	2,740 51	1,066 83	.....	23,166 74
Carillon .....	.....	7, 42 82	74 16	93 96	94 61	168 94	157 93	93 42	.....	738 21
Grenville .....	.....	2,267 08	2,687 57	2,503 51	2,188 71	2,160 72	1,966 16	1,286 11	.....	15,059 86
St. Ann's .....	17 00	216 89	290 54	469 51	515 20	454 08	480 57	314 77	0 42	2,759 14
Total, Ottawa Canals...	19 97	5,412 21	8,518 71	6,666 65	7,399 65	5,530 04	5,345 17	2,761 13	0 42	41,713 95
<b>RIDEAU CANAL.</b>										
Kingston Mills .....	2 75	375 06	467 73	414 26	376 00	322 66	281 03	96 31	1 55	2,337 35
Ottawa .....	.....	277 14	235 23	286 32	496 31	236 79	239 54	222 09	10 33	2,003 75
Smith's Falls .....	.....	116 58	124 34	69 16	80 96	72 32	63 13	22 88	.....	549 37
Total, Rideau Canal.....	2 75	768 78	827 30	769 74	953 27	631 77	583 70	341 28	11 88	4,890 47
<b>ST. PETER'S CANAL.</b>										
St. Peters .....	.....	.....	.....	.....	.....	.....	.....	.....	.....	.....
<b>NEWCASTLE DISTRICT CANALS.</b>										
Bobcaygeon .....	.....	16 82	74 92	28 58	21 95	40 00	4 76	.....	.....	187 03
Peterborough .....	3 50	32 50	1 50	.....	1 50	.....	.....	.....	.....	39 00
Hastings .....	.....	.....	1 00	.....	32 15	23 33	9 05	22 35	.....	87 88
Total, Newcastle District Canals .....	3 50	49 32	77 42	28 58	55 60	63 33	13 81	22 35	.....	313 91
Grand Total .....	7,466 17	50,334 44	54,007 71	50,253 48	51,262 04	56,796 69	51,678 30	39,118 87	1,070 93	364,978 63

A. BRUNEL,  
Commissioner.

INLAND REVENUE DEPARTMENT,  
OTTAWA, 31st December, 1877.



APPENDIX A.—Continued.

No. (A) 35.—GENERAL STATEMENT showing the Number, Tonnage and Nationality of Vessels passed through the Canals during the Season of Navigation in 1877, and the Tolls collected thereon.

Vessels.	Total Number	From Canadian to Canadian Ports.		From Canadian to United States Ports.		From United States to United States Ports.		From United States to Canadian Ports.		Tons.		Total Tons.	Amount of Tolls. \$ cts.
		Up.	Down.	Up.	Down.	Up.	Down.	Up.	Down.	Up.	Down.		
<b>WELLAND CANAL.</b>													
Canadian Vessels, steam.....	628	65,545	33,482	34,241	797	.....	.....	1,166	58,326	100,952	99,606	193,557	3,124 39
“ sail.....	2,528	139,310	74,466	137,467	3,751	1,789	345	5,800	198,236	284,366	276,788	561,154	11,321 37
Total, Canadian.....	3,156	204,855	107,938	171,708	4,548	1,789	345	6,966	256,562	385,318	369,393	754,711	14,445 76
United States Vessels, steam.....	481	.....	63	24	1,100	81,308	78,724	902	1,911	82,234	81,798	164,032	2,928 52
“ sail.....	1,492	1,078	298	20,403	1,757	186,806	108,404	1,876	106,439	210,163	214,898	425,051	9,500 06
Total, United States.....	1,973	1,078	361	20,427	2,837	268,114	185,128	2,778	108,350	299,397	296,696	589,093	12,428 57
Grand Total, Welland Canal.	5,129	205,933	108,299	192,135	7,405	269,903	185,473	9,744	364,912	677,715	666,089	1,343,804	26,874 33
<b>ST. LAWRENCE CANALS.</b>													
Canadian Vessels, steam.....	3,219	448,657	285,133	4,665	.....	9	.....	163	14,148	453,484	299,281	752,765	5,012 09
“ sail.....	5,077	434,459	314,830	2,344	30	.....	.....	469	6,443	437,292	521,303	768,595	8,271 17
Total, Canadian.....	8,296	883,116	599,963	7,009	30	9	.....	642	20,591	890,776	620,584	1,511,360	13,283 26
United States Vessels, steam.....	556	129	221	4,918	293	7,411	7,704	370	6,007	12,828	14,226	27,053	175 53
“ sail.....	1,064	3,200	4,610	12,032	8,139	562	1,375	60,992	9,339	76,786	23,463	100,249	1,127 14
Total, United States.....	1,620	3,329	4,831	16,950	8,432	7,973	9,079	61,362	15,346	89,614	37,688	127,302	1,302 67
Grand Total, St. Lawrence Canals.....	9,916	886,445	604,794	23,969	8,462	7,982	9,079	62,004	35,937	980,390	658,272	1,638,662	14,585 93

CHAMBLEY CANAL.															
Canadian Vessels, steam.....	573	31,340	35,563	410	.....	.....	.....	.....	.....	.....	2,461	34,760	38,029	72,779	321 60
"    sail.....	908	14,030	12,427	8,988	.....	.....	.....	.....	.....	.....	36,838	23,018	48,265	71,283	1,120 99
Total Canadian.....	1,481	48,370	47,995	9,398	.....	.....	.....	.....	.....	.....	38,299	57,768	86,294	144,062	1,445 59
United States Vessels, steam.....	5	.....	.....	74	.....	.....	.....	.....	.....	.....	28	74	28	102	1 49
"    sail.....	1,067	141	132	14,437	.....	.....	.....	.....	.....	.....	71,953	14,578	75,249	89,827	1,275 17
Total United States.....	1,072	141	132	14,511	.....	.....	.....	.....	.....	.....	71,981	14,652	75,277	89,929	1,276 66
Grand Total, Chambley Canal	2,553	48,511	48,127	23,909	.....	.....	.....	.....	.....	.....	110,280	72,420	161,571	233,991	2,722 25
BURLINGTON BAY CANAL.															
Canadian Vessels, steam.....	1,109	124,774	126,417	782	3,112	.....	.....	.....	.....	.....	6,024	131,580	129,529	261 109	3,033 63
"    sail.....	374	8,339	15,448	.....	17,886	.....	.....	.....	.....	.....	25,946	34,285	33,334	67,619	676 19
Total Canadian.....	1,483	133,113	141,865	782	20,998	.....	.....	.....	.....	.....	31,970	165,865	162,863	328,728	3,709 82
United States Vessels, steam.....	2	.....	.....	.....	53	.....	.....	.....	.....	.....	53	53	53	106	2 12
"    sail.....	60	464	.....	.....	6,023	.....	.....	.....	.....	.....	5,538	6,000	6,023	12,023	120 23
Total United States.....	62	464	.....	.....	6,076	.....	.....	.....	.....	.....	5,589	6,053	6,076	12,129	122 35
Grand Total Burlington Bay Canal.....	1,545	133,577	141,865	782	27,074	.....	.....	.....	.....	.....	37,559	171,918	168,939	340,857	3,832 17
OTTAWA CANALS.															
Canadian Vessels, steam.....	1,467	88,308	124,663	.....	1,029	.....	.....	.....	.....	.....	.....	88,308	125,692	214,000	746 21
"    sail.....	2,123	16,462	136,736	.....	23,988	.....	.....	.....	.....	.....	61	16,523	160,324	176,847	2,413 20
Total Canadian.....	3,590	104,770	261,399	.....	24,617	.....	.....	.....	.....	.....	61	104,831	286,016	390,847	3,159 41
United States Vessels, steam.....	.....	.....	.....	.....	.....	.....	.....	.....	.....	.....	.....	.....	.....	.....	.....
"    sail.....	856	8,364	570	.....	56,938	.....	.....	.....	.....	.....	.....	14,585	57,508	72,093	1,560 40
Total United States.....	856	8,364	570	.....	56,938	.....	.....	.....	.....	.....	.....	14,585	57,508	72,093	1,560 40
Grand Total, Ottawa Canals	4,446	113,134	261,969	.....	81,555	.....	.....	.....	.....	.....	6,282	119,416	343,524	462,940	4,719 81

APPENDIX A.—Continued.

No. (A) 35.—GENERAL STATEMENT showing the Number, Tonnage and Nationality of Vessels passed through the Canals, &c.—Continued.

Articles.	Total Number.	From Canadian to Canadian Ports.		From United States to United States Ports.		From United States to Canadian Ports.		Tons.		Total Tons.	Amount of Tolls. \$ cts.
		Up.	Down.	Up.	Down.	Up.	Down.	Up.	Down.		
<b>RIDEAU CANAL.</b>											
Canadian Vessels, steam.....	906	20,336	25,251	.....	.....	.....	.....	20,336	25,251	45,587	444 66
"    sail.....	1,776	52,247	60,543	.....	.....	.....	.....	52,247	60,543	112,790	1,027 34
Total Canadian.....	2,681	72,583	85,794	.....	.....	.....	.....	72,583	85,794	158,337	1,472 00
<b>United States Vessels, steam.....</b>											
"    sail.....	2	5	5	.....	.....	.....	.....	5	5	10	0 50
"    sail.....	81	1,391	5,167	.....	.....	.....	.....	1,391	5,167	6,558	58 17
Total United States.....	83	1,396	5,172	.....	.....	.....	.....	1,396	5,172	6,563	58 67
Grand Total Rideau Canal.....	2,767	73,979	90,966	.....	.....	.....	.....	73,979	90,966	164,945	1,530 67
<b>St. Peter's Canal.</b>											
Canadian Vessels, steam.....	.....	.....	.....	.....	.....	.....	.....	.....	.....	.....	.....
"    sail.....	.....	.....	.....	.....	.....	.....	.....	.....	.....	.....	.....
Total Canadian.....	.....	.....	.....	.....	.....	.....	.....	.....	.....	.....	.....
<b>NEWCASTLE DISTRICT CANALS.</b>											
Canadian Vessels, steam.....	117	1,105	3,370	.....	.....	.....	.....	1,105	3,370	4,475	60 00
"    sail.....	43	102	4,100	.....	.....	.....	.....	102	4,100	4,202	22 00
Total Canadian.....	160	1,207	7,470	.....	.....	.....	.....	1,207	7,470	8,677	82 00
Grand Total, Newcastle District Canals.....	160	1,207	7,470	.....	.....	.....	.....	1,207	7,470	8,677	82 00

RECAPITULATION.

Canals.	Total Number.	From Canadian to Canadian Ports.		From Canadian to United States Ports.		From United States to United States Ports.		From United States to Canadian Ports.		Tons.		Total Tons.	Amount of Tolls.
		Up.	Down.	Up.	Down.	Up.	Down.	Up.	Down.	Up.	Down.		
<b>CANADIAN VESSELS.</b>													
<i>Steam and Sail.</i>													
Welland .....	3,156	204,885	107,938	171,708	4,548	1,789	345	6,966	256,562	385,318	309,393	754,711.	14,445 76
St. Lawrence .....	8,296	883,116	599,963	7,009	30	9	.....	642	20,591	890,776	620,584	1,511,360.	13,283 26
Chambly .....	1,481	48,370	47,995	9,398	.....	.....	.....	.....	38,499	57,763	86,294	144,062	1,445 59
Burlington Bay .....	1,483	133,113	141,865	782	20,998	.....	.....	31,970	.....	165,865	163,963	328,738	3,709 82
Ottawa .....	3,580	194,770	261,389	.....	24,617	.....	.....	61	.....	104,831	286,016	390,847	3,159 41
Rideau .....	2,681	72,583	85,794	.....	.....	.....	.....	.....	.....	72,583	85,794	158,377	1,472 00
St. Peter's .....	160	1,207	7,470	.....	.....	.....	.....	.....	.....	1,207	7,470	8,677	82 00
Newcastle District .....	.....	.....	.....	.....	.....	.....	.....	.....	.....	.....	.....	.....	.....
Total Canadian .....	20,857	1,448,014	1,252,434	188,897	50,193	1,798	345	39,639	315,452	1,678,348	1,618,414	3,296,762	37,597 84
<b>UNITED STATES VESSELS.</b>													
<i>Steam and Sail.</i>													
Welland .....	1,973	1,078	361	20,427	2,857	268,114	185,128	2,778	108,350	292,397	296,696	589,093	12,428 57
St. Lawrence .....	1,620	3,329	4,831	16,950	8,432	7,973	9,079	61,362	18,346	89,614	31,688	127,302	1,302 67
Chambly .....	1,072	141	132	14,511	.....	.....	3,161	.....	71,981	14,652	75,277	89,529	1,276 66
Burlington Bay .....	62	464	.....	.....	6,076	.....	.....	5,589	.....	6,053	6,076	12,129	132 35
Ottawa .....	886	8,364	570	.....	56,938	.....	.....	6,241	.....	14,585	57,508	72,093	1,560 40
Rideau .....	86	1,396	5,172	.....	.....	.....	.....	.....	.....	1,386	5,172	6,568	58 67
St. Peter's .....	.....	.....	.....	.....	.....	.....	.....	.....	.....	.....	.....	.....	.....
Total United States .....	5,689	14,772	11,066	51,888	74,203	276,087	197,371	75,950	195,677	418,697	478,417	897,114	16,749 32
Grand Total Canadian and United States .....	26,526	1,462,786	1,263,490	240,785	124,496	277,885	197,716	115,589	511,129	2,097,045	2,096,831	4,193,876	51,347 16

A. BRUNEL,  
Commissioner.

INLAND REVENUE DEPARTMENT,  
OTTAWA, 31st December, 1877.

APPENDIX A.—*Concluded.*

COMPARATIVE STATEMENT OF Grand Total Freight passed through the undermentioned Canals during the Seasons of Navigation, 1876-77, with the Amount of Tolls collected on the same, including Tolls on Vessels and Passengers.

Canals.	From Canadian to Canadian Ports.		From Canadian to United States Ports.		From United States to United States Ports.		From United States to Canadian Ports.		Tons.		Total Tons.	Amount of Tolls. \$ cts.
	Up.	Down.	Up.	Down.	Up.	Down.	Up.	Down.	Up.	Down.		
1876.												
Welland Canal.....	41,394	128,323	35,550	6,114	239,713	249,102	12,092	387,622	328,749	771,061	1,099,810	208,799 27
St. Lawrence Canals.....	149,023	655,441	8,145	5,652	507	1,994	83,428	43,348	241,103	706,435	947,538	76,006 75
Chambly Canal.....	12,887	5,756	48,688			6,640		132,455	61,575	146,851	208,426	20,486 57
Rideau Canal.....	105,349	32,453							105,349	32,453	137,802	5,272 09
Ottawa Canals.....	1,735	344,069		168,647			30		1,765	512,718	514,481	39,787 62
Burlington Bay Canal.....	25,327	30,292	18	6,018			37,696		63,041	36,310	99,351	3,595 47
St. Peter's Canal.....	149	603							603	149	752	32 82
Newcastle District Canals.....	31,672	140							31,672	140	31,812	633 25
1877.												
Welland Canal.....	24,179	125,466	16,913	7,545	259,207	234,634	11,890	495,564	312,189	863,209	1,175,398	233,204 15
St. Lawrence Canals.....	122,398	580,140	4,985	5,549	1,189	3,951	80,465	44,899	209,037	632,449	841,486	62,033 01
Chambly Canal.....	9,187	7,311	42,010			7,407		131,758	51,227	146,476	197,703	18,990 97
Rideau Canal.....	89,717	24,349							89,717	24,349	114,066	4,890 47
Ottawa Canals.....	916	304,417		182,318					916	486,735	487,651	41,713 95
Burlington Bay Canal.....	18,964	20,281	66	4,854			57,530		75,660	25,138	100,798	3,832 17
St. Peter's Canal.....												
Newcastle District Canals.....	27,155								27,155		27,155	313 91

\* This Canal being closed for enlargement, no business has been done on it during this year.

INLAND REVENUE DEPARTMENT,  
OTTAWA, 31st December, 1877.

A. BRUNEL,  
Commissioner.

## APPENDIX A.—Continued.

No. 36.—STATEMENT of the Number and Tonnage of all kinds of Vessels passed through the Canals during the Season of Navigation in 1877.

## WELLAND AND ST. LAWRENCE CANALS.

CANADIAN.					UNITED STATES.			
Steam Vessels.			Sailing Vessels.		Steam Vessels.		Sailing Vessels.	
Tonnage.	Number.	Total Tonnage.	Number.	Total Tonnage.	Number.	Total Tonnage.	Number.	Total Tonnage.
8	6	48	14	112			4	32
10	4	40	4	40	3	30	2	20
12	9	108	1	12	2	24		
15	10	150			1	15	1	15
20	12	240	3	60	3	60	1	20
25	14	340	5	125	2	50	2	50
30	15	450	8	240	1	30	1	30
35	9	315	7	245			1	35
40	3	120	8	320	1	40		
45	4	180	7	315				
50	4	200	14	700	1	50	1	50
55	2	110	5	275			2	110
60	5	300	12	720			40	2,400
65	1	65	12	780	1	65	60	3,900
70	2	140	7	490	1	70	46	3,220
75	7	525	25	1,875	1	75	35	2,625
80	1	80	22	1,760			8	640
85	5	425	23	1,955			6	510
90	2	180	39	3,510			13	1,170
95	2	190	71	6,745	1	95	24	2,280
100	2	200	53	5,300			51	5,100
105	2	210	48	5,040			31	3,255
110	1	110	37	4,070	1	110	32	3,520
115	2	230	17	1,955			12	1,380
120	5	600	14	1,680			9	1,080
125	2	250	22	2,750			1	125
130			20	2,600			1	130
135	1	135	22	2,970			1	135
140			12	1,680			1	140
145	1	145	10	1,450				
150	1	150	15	2,250			3	450
155	2	310	8	1,240	1	155		
160			8	1,280				
165	1	165	14	2,310				
170			3	510			3	510
175	3	525	9	1,575				
180	1	180	8	1,440				
185			11	2,035			1	185
190			6	1,140				
195			11	2,145			3	585
200	2	400	7	1,400			4	800
205			5	1,025			2	410
210			3	630	1	210	5	1,050
215	1	215	4	860			10	2,150
220	1	220	7	1,540			3	660
225	1	225	6	1,350			6	1,350
230			9	2,070			6	1,380
235			4	940			7	1,645
240			4	960			5	1,200
245	1	245	3	735			1	245
250	2	250	6	1,500			1	250
255			2	510			7	1,785
260			4	1,040			3	780
265			5	1,325			5	1,325
270			1	270			5	1,350
275			3	825			6	1,650

APPENDIX A.—Continued.

No. 36.—STATEMENT of the Number and Tonnage of all kinds of Vessels passed through the Canals, &c.—Continued.

WELLAND AN ST. LAWRENCE CANALS.—Continued.

CANADIAN.					United States.			
Steam Vessels.			Sailing Vessels.		Steam Vessels.		Sailing Vessels.	
Tonnage.	Number.	Total Tonnage.	Number.	Total Tonnage.	Number.	Total Tonnage.	Number.	Total Tonnage.
280			3	840			8	2,240
285			5	1,425			4	1,140
290			5	1,450			8	2,320
295	2	590	6	1,770			11	3,245
300	2	600	4	1,200			19	5,700
305			8	2,440	1	305	8	2,440
310			3	930			6	1,860
315			4	1,260			12	3,780
320	1	320	6	1,920			14	4,480
325			7	2,275			9	2,925
330	1	330	4	1,320	1	330	8	2,640
335	2	670	12	4,020			11	3,685
340			3	1,020			5	1,700
345	1	345	4	1,380			6	2,070
350			4	1,400			5	1,750
355			7	2,485			2	710
360	1	360	6	2,160	1	360	2	720
365			9	3,285				
370	1	370	4	1,480			1	370
375	3	1,125	6	2,250			1	375
380								
385			3	1,155				
390	1	390						
395	3	1,185	3	1,185				
400	1	400	1	400				
405	2	810						
410	3	1,230						
415	1	415			2	830		
420					1	420		
425	1	425	2	850				
430					1	430		
435					1	435		
436					1	436		
437	1	437			2	437		
440	4	1,760			2	880		
446					1	446		
447					1	447		
460	1	460			2	920		
465	2	930			1	465		
479	1	479			1	479		
504	1	504						
516	1	516						
520			1	520				
550	1	550						
555	1	555						
575	1	575						
590	1	590						
615	1	615						
625	1	625						
675	1	675						
690	1	690						
715	1	715						
890			1	890				
Total....	195	29,212	829	123,939	40	8,699	612	95,883

## APPENDIX A.—Continued.—CANALS.

No. 36.—STATEMENT of the Number and Tonnage of all kinds of Vessels passed through the Canals, &c.—Continued.

## RIDEAU, OTTAWA AND CHAMBLY CANALS.

CANADIAN.					UNITED STATES.			
Steam Vessels.			Sailing Vessels.		Steam Vessels.		Sailing Vessels.	
Tonnage.	Number.	Total Tonnage.	Number.	Total Tonnage.	Number.	Total Tonnage.	Number.	Total Tonnage.
8	14	112	41	328				
10	5	50	58	580			1	10
12			35	420				
15	5	75	9	135	2	30		
20	2	40	24	490	1	20		
25	1	25	8	200				
30	6	180	8	240				
35	6	215	11	385				
40	5	200	9	360	1	40		
45	5	225	1	45				
50	4	200	15	750			2	100
55	1	55	4	220			7	385
60	2	120	11	660			51	3,060
65	2	130	3	195			71	4,615
70	3	210	10	700			62	4,340
75	4	300	9	675			36	2,700
80			16	1,280			17	1,360
85	3	255	11	935			9	765
90	3	270	34	3,060			16	1,440
95	1	95	55	5,225			33	3,135
100	2	200	53	5,300			57	5,700
105			37	3,885			29	3,045
110	4	440	18	1,980			38	4,180
115	3	345	7	805			10	1,150
120	4	480	13	1,560			9	1,080
125	1	125	4	500				
130			4	520				
135			9	1,215				
140	1	140	11	1,540				
145			1	145				
150	1	150	3	450			1	150
155			1	155				
160			1	160				
165			1	165				
170			1	170				
175	1	175	1	175				
200	1	200						
245	2	490						
317	1	317						
332	2	664						
344	1	344						
437	1	437						
Total.	97	7,264	537	35,598	4	90	449	37,215

A. BRUNEL,  
Commissioner.

INLAND REVENUE DEPARTMENT,  
OTTAWA, 31st December, 1877.



APPENDIX A.—Continued.  
 No. 37.—STATEMENT showing the Number and Classified Tonnage of all kinds of Vessels passed through the Canals during the Season of Navigation in 1878.  
 WELLAND AND ST. LAWRENCE CANALS.

CANADIAN.						UNITED STATES.									
Class	Steam Vessels.	No.	Tonnage.	Class	Sailing Vessels.	No.	Tonnage.	Class	Steam Vessels.	No.	Tonnage.	Class	Sailing Vessels.	No.	Tonnage.
1	250 to 715 tons...	48	20,491	1	250 to 890 tons...	142	46,780	1	250 to 479 tons...	19	7,620	1	250 to 375 tons...	167	51,290
2	200 " 249 " ...	6	1,305	2	200 " 249 " ...	52	11,510	2	200 " 249 " ...	1	210	2	200 " 249 " ...	49	10,890
3	150 " 199 " ...	8	1,330	3	150 " 199 " ...	93	15,925	3	150 " 199 " ...	1	155	3	150 " 199 " ...	10	1,730
4	100 " 149 " ...	16	1,880	4	100 " 149 " ...	255	29,495	4	100 " 149 " ...	1	110	4	100 " 149 " ...	139	14,865
5	50 " 99 " ...	31	2,215	5	50 " 99 " ...	230	18,810	5	50 " 99 " ...	5	355	5	50 " 99 " ...	235	16,905
6	Under 50 " ...	86	1,991	6	Under 50 " ...	57	1,469	6	Under 50 " ...	13	249	6	Under 50 " ...	12	202
	Total .....	195	29,212		Total .....	829	123,969		Total .....	40	8,699		Total .....	612	95,882

RIDEAU, OTTAWA AND CHAMBLEY CANALS.							
Class	Steam Vessels.	No.	Tonnage.	Class	Sailing Vessels.	No.	Tonnage.
1	300 to 437 tons...	5	1,762	3	150 to 199 tons...	8	1,275
2	200 " 249 " ...	3	690	4	100 " 149 " ...	157	17,450
3	150 " 199 " ...	2	325	5	50 " 99 " ...	168	13,700
4	100 " 149 " ...	15	1,730	6	Under 50 " ...	204	3,173
5	50 " 99 " ...	19	1,435				
6	Under 50 " ...	53	1,322				
	Total .....	97	7,264		Total .....	537	35,598

A. BRUNEL,  
 Commissioner.

INLAND REVENUE DEPARTMENT.  
 OTTAWA, 31st December, 1877.

APPENDIX A.—Continued.

No. 38.—The Canals of the Dominion of Canada, 1877-78.

RATES OF TOLLS.

The Rates of Tolls are divided into Five Classes as under, and are per ton, unless otherwise specified.	Welland Canal, each way.	St. Lawrence Canals, each way.	Chambly Canal and St. Ours Lock, each way.	Lake Erie to Montreal, each way.	Burlington Bay Canal, each way.	Ottawa and Rideau Canals, each way.	St. Ann's Lock, each way.	Ottawa to St. Johns.
	\$ cts.	\$ cts.	\$ cts.	\$ cts.	\$ cts.	\$ cts.	\$ cts.	\$ cts.
<i>Class No. 1.</i>								
Vessels, Steam .....	0 01½	0 00¾	0 00¾	0 02½	0 01	0 02	0 00½	0 01½
do Sail and other. ....	0 02½	0 01½	0 01½	0 04	0 01	0 03	0 00½	0 02½
<i>Class No. 2.</i>								
Passengers, 21 years of age and upwards, each .....	0 10	0 10	0 05	0 20		0 10	0 00½	0 10½
Passengers, under 21 years, each .....	0 05	0 05	0 02	0 10		0 05	0 00½	
<i>Class No. 3.</i>								
Brimstone .....	20	0 15	0 10	0 35	Free under O. C. of 1st April, 1873.	0 10	0 03	0 20
Corn .....								
Coal .....								
Flour .....								
Iron, Railway .....								
do Pig .....								
do all other .....								
Plaster, Gypsum .....								
Salt .....								
Salt Meats or Fish, in Barrels or otherwise .....								
Agricultural Products, Vegetable, not enumerated .....								
Agricultural Products, Animal, not enumerated .....								
Stone, for Cutting .....								
Wheat .....								
<i>Class No. 4.</i>								
All other Articles, not enumerated .....	0 40	0 20	0 10	0 60		0 35	0 05	0 30
<i>Class No. 5.</i>								
Bark .....	0 20	0 15	0 10	0 35		0 10	0 03	0 19½
Barrels, Empty .....	0 02	0 02	0 02	0 04		0 02	0 01	0 04
Boat Knees .....	0 05	0 02	0 02	0 07		0 02	0 01	0 04
Floats, per 1,000 lineal feet .....	1 40	1 40	1 20	2 80		1 40	0 15	2 05
Firewood, per cord, in Vessels .....	0 20	0 20	0 10	0 40		0 20	0 03	0 23
do do Rafts .....	0 25	0 25	0 15	0 50		0 25	0 03	0 30½
Hoops .....	0 25	0 20	0 15	0 45		0 20	0 05	0 30
Masts and Spars, Telegraph Poles, per ton of 40 cubic feet, in Vessels .....	0 15	0 05	0 05	0 20		0 10	0 05	0 13½
Masts and Spars, Telegraph Poles, per ton of 40 cubic feet, in Rafts .....	0 20	0 10	0 10	0 30		0 20	0 25	0 42½
Railway Ties, in Vessels .....	0 01	0 00½	0 00½	0 01½		0 01	0 00½	0 01½
do do Rafts .....	0 02	0 01	0 01	0 03		0 02	0 01	0 02½
Sawed Stuff, Boards, Plank, Scantling and Sawed Timber, per M. feet, board measure, in Vessels .....	0 30	0 15	0 10	0 45		0 15	0 03	0 20

No. 38.—*Concluded.*

RATES OF TOLL.—*Concluded.*

The Rates of Tolls are divided into Five Classes as under, and are per ton, unless otherwise specified.		Welland Canal, each way.	St. Lawrence Canals, each way.	Chambly Canal and St. Ours Lock, each way.	Lake Erie to Montreal, each way.	Burlington Bay Canal, each way.	Ottawa and Rideau Canals, each way.	St. Ann's Lock, each way.	Ottawa to St. Johns.
<i>Class No. 5.—Concluded.</i>		\$ c s.	\$ cts.	\$ cts.	\$ cts.	\$ cts.	\$ cts.	\$ cts.	\$ cts.
Sawed Stuff, Boards, Plank, Scantling and Sawed Timber, per M. feet, board measure, in Rafts.....	0 60	0 30	0 20	0 90	} Free under O. C of 1st April, 1873.	0 25	0 03	0 36	3/4
Square Timber, per M. cubic feet, in Vessels.....	3 00	1 00	1 00	4 00		0 75	0 25	1 68	3/4
do do Rafts....	4 50	2 00	2 00	6 50		1 50	0 25	3 12	3/4
Waggon Stuff, Woodenware and Wood partly manufactured, per ton of 40 cubic feet.....	0 40	0 40	0 25	0 80		0 40	0 10	0 55	
Shingles per M. ....	0 06	0 06	0 04	0 12		0 06	0 01	0 08	
Split Posts and Fence Rails, per M., in Vessels.....	0 40	0 40	0 20	0 80		0 30	0 05	0 42	3/4
do do Rafts....	0 80	0 80	0 40	1 60		0 50	0 05	0 77	3/4
Saw Logs, each standard log.....	0 08	0 08	0 05	0 16		0 08	0 05	0 14	
Staves and Headings, Barrels, at 2 1/2 tons per M.....	0 40	0 20	0 15	0 60		0 20	0 05	0 30	
do Pipe, at 8 tons per M.....	1 50	1 00	1 00	2 50		1 00	0 25	1 75	
do W. India, at 4 tons per M.....	0 75	0 60	0 25	1 35	0 60	0 10	0 65		
do Salt Barrels, Sawn or Cut.....	0 08	0 04	0 03	0 12	0 04	0 01	0 06		
Traverses, per 100 pieces.....	0 50	0 50	0 40	1 00	0 50	0 03	0 68		
Hop Poles, per 1,000 pieces.....	2 00	2 00	1 50	4 00	0 02	0 15	2 65		
<i>Special Class.</i>									
Stone, unwrought, corded, and not suitable for cutting, per cord.....	0 75	0 60	0 37	1 35	0 37	0 15	0 15		
Iron Ore, Kryolite or Chemical Ore.....	0 05	0 05	0 05	0 05	0 05	0 05	0 05		
Ice.....	0 05								

NOTE.—Coal to pass up all Canals, except the Welland Canal, free of Toll, as per Order in Council, June 7th, 1869.

Iron Ore, Kryolite or Chemical Ore, through one section, or all the Canals, per ton, 5 cents.

Iron and Salt having paid full Toll through the whole line of the St. Lawrence Canals, or through the Lachine Canal, St. Ann's Lock, or Ottawa and Rideau Canals, shall be allowed to pass free through the Welland Canal; and if Tolls shall have been paid at the Chambly Canal, such tolls shall be refunded at Montreal or Kingston Mills, upon the Iron or Salt leaving the Canal.

Wheat, Flour, Corn, Barley, Pease, Oats and Petroleum, having paid full Tolls through the Welland Canal, shall be allowed to pass free through the St. Lawrence Canals, or through the Ottawa and Rideau Canals, St. Ann's Lock, the Lachine Canal and the Chambly Canal, provided always that the articles to be entitled to the exemption shall go downwards through the whole length of the Canal to Montreal, or pass upward from Montreal through the whole length of the Ottawa and Rideau Canals to Lake Ontario.

All articles, goods or merchandise, not enumerated above, to be charged to Class No. 4. No Let Passes to be issued to steam tugs or other small vessels for less than 25 cents as a minimum charge, but such vessels not carrying freight or passengers can obtain, on payment of \$30, a season "Let Pass," which will pass them up and down the Canal as often as desired.

Ice passing through the Welland Canal, per ton, 5 cents, per O. C. May 4th, 1874.

No. 38.—Continued.

STANDARD FOR ESTIMATING WEIGHTS.

	Tons.
2,000 lbs. avoirdupois or 20 centals.....	1
Per M. is per thousand feet.....	1
Per Mille is per thousand pieces.....	1
Green Fruit, 9 barrels are.....	1
Ashes 3 do.....	1
Bark, 4 cords.....	1
Beef, 7 barrels.....	1
Biscuit and Crackers, 9 barrels.....	1
Bricks, common, 1,000.....	2
Butter, 22 kegs or 7 barrels.....	1
Cattle, 3.....	1
Cement and Water Lime, 21 bushels or 7 barrels.....	1
Fire Bricks, 1,000.....	3
Fish, 7 barrels.....	1
Flour, 9 barrels.....	1
Gypsum and Manganese, 6 barrels.....	1
Horses, 2.....	1
Lard and Tallow, 7 barrels or 22 kegs.....	1
Liquors or Spirits, 215 gallons.....	1
Liquors, all others, 215 gallons.....	1
Nuts, 9 barrels.....	1
Oysters, 6 barrels.....	1
Pork, 7 barrels.....	1
Salt, 7 barrels.....	1
Seeds, 9 barrels.....	1
Sheep, 20.....	1
Stone, 12 cubic feet.....	1
do 1 cord.....	7½
Whiskey, 4 barrels or 215 gallons.....	1
Empty barrels, 10.....	1
Barrel Hoops, 10 Mille.....	1
Board and other Sawed Lumber, 600 feet board measure.....	1
Boat Knees, 4 pieces.....	1
Firewood, 1 cord.....	3
Hop Poles, 60, or 40 cubic feet.....	1
Shingles, 12 M. or bundles.....	1
Split Posts and Fence Rails, 1 Mille.....	1
Staves and Headings, Pipe, 1 Mille is.....	8
do do West India, 1 Mille is.....	4
do do Barrel, 1 Mille.....	2½
do do Salt Barrel, 1 Mille.....	2½
Saw Logs, standard, 1.....	1
Square Timber, 50 cubic feet.....	1
Telegraph Poles, 10, or 40 cubic feet.....	1
Masts and Spars, 40 cubic feet.....	1
Railroad Ties, 16, or 50 cubic feet.....	1
All other Woodenware, or partly manufactured Wood, 40 cubic feet, as per Tariff.....	1
Traverses, 40 cubic feet or 5 pieces.....	1
Floats, 50 lineal feet.....	1

NOTE.—By the Weights and Measures Act of 1873, the following articles are to be estimated by the Cental of 100 lbs., viz.: Barley, Beans, Charcoal, Corn, Oats, Peas, Potatoes, Rye, Salt, Seeds and Wheat.

No. 38.—Continued.

NOTICE.

The following Way Rates to be levied on Vessels and Property passing the several Sub-Divisions of the Canals.

	Rate.
<b>WELLAND CANALS.</b>	
1. From Port Maitland, Dunnville and Port Colborne, to Port Robinson or Allanburg, not passing the Lock, each way .....	1 2 3 4 5 6 7 8 9 10 11 12 13 14 15 16 17
2. From Chippawa Cut, or part thereof, to Dunnville, Port Maitland or Port Colborne ..	
3. From Dunnville to Port Colborne.....	
4. From Thorold to St. Catharines or Port Dalhousie.....	
5. From Maitland, Dunnville, Colborne or Port Robinson, to Marshville and intermediate places.....	
6. From Marshville, or intermediate places, to Port Maitland, Dunnville, Port Colborne and Port Robinson .....	
7. From Port Robinson to Allanburg or Thorold.....	
8. do do St. Catharines or Port Dalhousie.....	
9. From St. Catharines to Port Dalhousie.....	
10. From Dunnville to Maitland .....	
11. From Port Robinson through the Lock and Chippawa Cut.....	
12. From Port Colborne to Port Maitland.....	
13. From Chippawa Cut through the Lock to Port Robinson.....	
14. From Colborne, Dunnville, Maitland and Marshville to Thorold .....	
15. do do do St. Catharines.....	
16. Through the Chippawa Cut only.....	
17. Through the Port Robinson Lock only .....	
<b>ST. LAWRENCE CANALS.</b>	
The Navigation to be divided into four sections, viz.: Edwardsburg, Cornwall, Beauharnois and Lachine. Tolls to be levied on all vessels and property in proportion to the number of Sections passed through.	
<b>CHAMBLY CANAL.</b>	
Vessels and Property passing from Sorel to Chambly, to pay.....	1
do do Chambly to St. Johns, to pay .....	
<b>OTTAWA AND RIDEAU CANALS.</b>	
The Navigation of these Canals is divided into four sections: "Carillon and Grenville," "Ottawa," "Smith's Falls" and "Kingston Mills." Vessels and Freight passing one section, to be charged one-fourth; two sections, one-half, and so on.	
<b>GENERAL.</b>	
NOTE.—Any fraction of a ton freight to be charged one ton, and portions of sections to be charged as a whole section on all the above Canals.	
The passing of Saw Logs or other Lumber through any of the Canals or Sections thereof, is to be at all times governed by the regulations for their management.	
<b>HARBOUR DUES.</b>	
Vessels receiving or discharging freight at the premises of the Welland Railway, at Ports Colborne or Dalhousie, are to be free from Harbour Dues; but all other Vessels discharging or receiving cargo at Port Dalhousie, Port Colborne or Port Maitland, shall pay on every ton of freight so received or discharged—Two cents.	

APPENDIX A.—*Continued.*—SLIDES AND BOOMS.

No. 39.—STATEMENT showing the Revenue accrued on the undermentioned Works, for Slides and Booms, during the Year ended 30th June, 1878.

From	Amount of Slide and Boom Dues accrued on Timber and Saw Logs.		Total.
	On River to Junction with the Ottawa.	Further through Ottawa Works.	
	\$ cts.	\$ cts.	\$ cts.
Madawaska.....	13,853 60	5,304 98	
Petawawe.....	3,595 87	2,870 98	
Black River.....	1,209 12	1,774 37	
Dumoine.....	1,051 48	1,033 97	
Coulonge.....	1,234 34	1,712 78	
Gatineau.....	8,298 54		
Main Ottawa and tributaries without Government improvements.....		28,020 45	
	29,242 95	40,717 53	69,960 48

A. BRUNEL,  
*Commissioner.*

INLAND REVENUE DEPARTMENT,  
OTTAWA, 22nd October, 1878.

APPENDIX A.—Continued.—SLIDES AND BOOMS.

No. 40.—STATEMENT of the number of pieces of Timber and Saw Logs that passed through the Government Slides and Booms on the Ottawa and its tributaries, during the undermentioned years.

Years.	Square and Flatted Timber No. of Pieces	Saw Logs No. of Pieces.	Revenue accrued.
January to December, 1858.....	214,880	189,100	\$ cts. 27,936 00
do do 1868.....	186,377	972,169	56,731 00
July, 1877, to 30th June, 1878.....	268,243	1,023,958	69,960 48

Analysis of Square and Flatted Timber, 1877-'78.	
	Number of Pieces.
White Pine.....	229,363
Red Pine.....	25,307
Cedar.....	8,522
Basswood.....	63
Butternut.....	4
Spruce.....	27
Hemlock.....	1,508
Elm.....	477
Ash.....	1,342
Tamarac.....	1,478
Oak.....	13
Spars.....	35
Other Wood.....	104
<b>Total.....</b>	<b>268,243</b>
Cribs, Dimension Timber.....	90
do Traverses.....	40

**A. BRUNEL,**  
*Commissioner.*

INLAND REVENUE DEPARTMENT,  
OTTAWA, 22nd October, 1878.

APPENDIX A.—Continued.

No 41.—STATEMENT of Lumber, &c., Measured, Culled or Counted, at the Port of Quebec, during the Year ended 30th June, 1878.

Pieces.	Description of Timber.	Measured, Culled or Counted,	Tons Standard.	Rates.			Office Fees.	Cullers' Fees.	Total Amount Accrued.
				Office Fees.	Cullers' Fees.	Total.			
			Tons. Pts.	cts.	cts.	cts.	\$	cts.	\$
59,021	Waney White Pine.....	Stringed ..	87,821 17						
9	do "Red Pine.....	do .....	19 21						
504	do Ash.....	do .....	606 33						
10	do Basswood.....	do .....	6 37						
5	do do.....	do .....	4 18						
2	do Butternut.....	do .....	1 28						
3	do Birch.....	do .....	3 05						
1,074	do Maple.....	do .....	799 02						
2	do do.....	do .....	39 39						
93	do Hickory.....	do .....	67 31						
292	do do.....	do .....	384 29						
16	do Whitewood.....	do .....	24 30						
	do Balm of Gilead.....	do .....	89,741 10	5 7	2 0	7 5	4,935 77	1,794 82	6,730 59
272,447	White Pine.....	Measured ..	374,655 11						
88	Basswood.....	do .....	91 10						
5	Butternut.....	do .....	5 11						
			374,751 32	3 0	2 0	5 0	11,242 56	7,495 03	18,737 59
34,925	Red Pine.....	do .....	34,437 23						
49,596	Oak.....	do .....	76,124 11						
16,784	Elm.....	do .....	19,336 10						
3,338	Ash.....	do .....	3,231 20						
2,372	Yamarac.....	do .....	1,589 18						
8,916	Birch.....	do .....	4,495 33						
53	Maple.....	do .....	34 21						
86	Spruce.....	do .....	65 28						



No. 41.—STATEMENT of Lumber, &c., Measured, Culled or Counted, at the Port of Quebec, &c.—Continued.

Pieces.	Description of Timber.	Measured, Culled or Counted.	Tons Standard.	Rates.			Office Fees.	Cullers' Fees.	Total.	Office Fees.	Cullers' Fees.	Total Amount Accrued.
				Office Fees.	Cullers' Fees.	Total.						
			Tons. Pts.	cts.	cts.	cts.	\$	cts.	\$	cts.	\$	cts.
669	Hickory .....	Measured .....	676 18									
1	Balsam .....	do .....	1 12									
3	Balm of Gilead .....	do .....	2 24									
3	White wood .....	do .....	3 07									
2,320	Hemlock .....	do .....	139,998 25	4 6	2 0	6 6	6,439 94	2,799 97	9,239 91			
1,761	Waney White Pine .....	Shipping order	2,312 28	1 5	2 0	3 5	34 69	46 25	80 94			
3	White Pine .....	do .....	3 26			9 3	0 28	0 07	0 35			
18	Red Pine .....	do .....	20 01			10 8	1 76	0 40	2 16			
130	Oak .....	do .....	199 33			13 9	23 78	3 99	27 77			
2	Ash .....	do .....	1 34									
1,215	Birch .....	Culled .....	539 39									
			641 33			12 2	55 27	10 63	66 10			
74	Red Pine Spars .....	Measured .....	12 @ 19 in.	13 4	33 4	46 8	9 91	24 72	34 63			
24	do .....	do .....	19 @ 24 in.	23 4	50 0	73 4	5 62	12 00	17 62			
27	White Pine Masts .....	do .....	12 @ 19 in.	13 4	33 4	46 8	3 61	9 02	12 63			
44	do .....	do .....	19 @ 24 in.	23 4	50 0	73 4	10 30	22 00	32 30			
22	do .....	do .....	24 upwards.	23 4	61 7	85 0	5 15	13 57	18 72			
1,100,978	Pine Deals .....	Culled .....	1,304,625 02	10 0	50 0	60 0	1,304 63	6,523 12	7,827 75			

	do	632,861 44	10-0	50-0	60-0	632 85	3,164 26	3,797 11
646,322 Spruce Deals.....	do	.....	.....	.....	.....	.....	.....	.....
19,155 Pine Planks.....	do	.....	15-0	35-0	50-0	28 74	67 04	96 78
82,444 Spruce Planks.....	do	.....	15-0	35-0	50-0	123 67	288 53	412 22
10,335 Pine Boards.....	do	.....	5-0	35-0	40-0	5 17	36 17	41 34
1,311,319 Pine Deals.....	Counted	1,426,701 22	5-0	6-7	11-7	713 35	955 82	1,669 21
444,778 Spruce Deals.....	do	443,152 39	5-0	6-7	11-7	216 58	290 21	506 79
136,802 Pine Planks.....	do	.....	.....	.....	5-0	.....	68 40	68 40
40,449 Spruce Planks.....	do	.....	.....	.....	5-0	.....	20 25	20 25
Pine and Spruce Boards.....	do	*1,366,418	.....	.....	15-0	.....	68 32	66 32
5,274 Oak, Ash and Maple Planks.....	Measured.....	357,227 00	5-0	35-0	40-0	17 86	125 03	142 89
25,135 do do.....	Counted.....	290,268 00	.....	.....	5-0	.....	14 51	14 51
773,201 Standard Staves.....	Culled.....	M 860-4-2-23	100-0	250-0	350-0	860 45	2,151 13	3,011 58
1,306,286 West India Staves.....	do	M 1088-5-2-26	50-0	112-0	162-0	544 29	1,219 20	1,763 49
1,147 1/2 Cords Lathwood.....	do	.....	10-0	28-4	38-4	114 72	325 83	440 54
For Fractions.....	.....	.....	.....	.....	.....	27,556 75	27,594 41	55,161 16
Total.....	.....	.....	.....	.....	.....	1 45	0 91	0 54
						27,555 30	27,595 32	55,150 62

\* Superficial feet.

† Per 100 pieces.

A. BRUNEL,  
Commissioner.

DEPARTMENT OF INLAND REVENUE,  
OTTAWA, 22nd October, 1878.

APPENDIX A.—Continued.

No. 42.—STATEMENT of Lumber, &c., Measured, Culled or Counted, at the Ports of Montreal, Lachine and Sorel, for the Fiscal Year ended 30th June, 1878.

Pieces.	Description of Timber.	Measured, Culled or Counted.	Tons Standard.	Rates.			Office Fees.	Cullers' Fees.	Total Amount Accrued.
				Office Fees.	Cullers' Fees.	Total.			
6,587	Square White Pine.....	Measured.....	Tons. Pts. 5,895 36	cts. 2-5	cts. 3-2	cts. 5-7	\$ 147 39	\$ 188 67	cts. 336 06
1,886 2	do do Basswood .....	do do .....	1,835 15 1 26	2-0	2-0	5-0	55 11	36 74	91 85
97 13 18	do do Elm .....	do do .....	96 07 15 12 25 31						
1 2 29	do do Whitewood..... do Birch .....	do do .....	0 23 1 26 24 39						
	do Red Pine.....	do .....	164 18	4-6	2-0	6-6	7 56	3 29	10 85
822	do Hemlock, .....	do .....	820 36	4-5	2-0	3-5	12 32	16 41	28 73
32	Waney Timber .....	do .....	44 10	4-2	2-0	6-2	1 85	0 88	2 73
66	do stringed.....	do .....	50 09	5-5	2-0	7-5	2 76	1 00	3 76
93 101	Square Oak..... do Ash .....	do do .....	131 16 83 24						

36	do Elm.....	26 12	3.3	4.2	7.5	14 70	18 69	33 39
3	do Birch.....	2 09						
220	do Tamarac.....	170 38	1.7	2.3	4.0	25 23	34 12	59 35
29	do Red Pine.....	27 01						
2	do Maple.....	1 39	2.5	4.5	7.0	9 56	17 21	26 77
2	do Spruce.....	1 37	3.0	5.5	8.5	12 70	23 29	35 99
		445 16						
1,147	do Hemlock.....	1,483 26						
329	Waney Timber.....	382 25						
390	do stringed.....	423 17						
70	Flat Hemlock, lineal.....	2,275 feet.						
3	do do.....	113 "						
4,007	Hemlock Poles.....	238,964 "						
		241,352 feet.	20	36	56	48 27	86 88	138 15
11,944	Flattened and Round Timber.....	423,356 feet.	25	55	80	105 84	232 84	338 68
132,597	West India Staves.....	M 110.5 0.17	50	112	162	55 25	123 76	179 01
439	Standard Staves.....	0.3 2.19	100	250	350	0 37	0 91	1 28
110,232	Sawed Lumber, for exportation.....	Counted			.5		55 11	55 11
	Total.....					498 91	839 80	1,338 71

A. BRUNEL,  
Commissioner.

INLAND REVENUE DEPARTMENT,  
OTTAWA, 22nd October, 1878.

APPENDIX A.—Continued.

No. 43.—STATEMENT of Bill Stamps issued on Requisition by the Inland Revenue Department, for the Year ended 30th June, 1878.

Supplied to Distributors.	1 Cent.	2 Cents.	3 Cents.	4 Cents.	5 Cents.	6 Cents.	7 Cents.	8 Cents.	9 Cents.	10 Cents.	20 Cents.	30 Cents.	40 Cents.	50 Cents.	\$1	\$2	\$3	Total.
In Manitoba.....	7,000	6,000	10,000	2,000	2,000	2,000	.....	.....	.....	1,500	1,000	900	400	500	.....	.....	.....	1,740 00
To Post Office Department..	180,000	180,000	280,000	500	4,000	105,000	.....	.....	50,000	16,500	10,000	7,500	1,000	1,600	600	50	50	32,370 00
In Nova Scotia	13,000	11,500	45,000	4,000	6,000	27,000	2,000	2,500	19,000	6,000	4,500	3,500	1,500	500	200	.....	.....	9,440 00
In New Brunswick.....	5,000	8,000	31,000	2,500	5,500	20,000	1,000	2,000	12,000	6,000	4,500	3,500	2,500	2,500	1,100	300	100	10,825 00
In Ontario and Quebec.....	235,319	218,151	586,806	23,976	44,881	350,700	13,232	15,051	207,701	68,931	47,136	51,731	17,842	31,627	15,492	4,260	2,136	154,598 79
<b>Grand Total.</b>	<b>440,319</b>	<b>403,651</b>	<b>952,806</b>	<b>30,976</b>	<b>52,381</b>	<b>504,700</b>	<b>16,232</b>	<b>19,551</b>	<b>288,701</b>	<b>98,931</b>	<b>67,136</b>	<b>67,131</b>	<b>23,242</b>	<b>36,727</b>	<b>17,392</b>	<b>4,610</b>	<b>2,286</b>	<b>208,973 79</b>

A. BRUNEL,  
Commissioner.

INLAND REVENUE DEPARTMENT,  
OTTAWA, 22nd October, 1878.

APPENDIX B.

---

DETAILS OF EXPENDITURE.

---

APPENDIX B.

No. 1.—DETAILS of Excise Expenditure, 1877-78.

To whom Paid.	Service.	Deducted for Superannuation.	Amounts Paid.	Total for each Division.
		\$ cts.	\$ cts.	cts.
<i>Algoma.</i>				
Ironside, G. A. ....	Salary as Collector, for the year.....	9 64	523 68	698 85
	Contingencies .....		175 17	
<i>Belleville.</i>				
Holton, G. C. ....	Salary, from 17th Nov. to 30th June ....	16 00	784 00	4,311 10
Barrett, J. K. ....	do as Exciseman, for the year .....	19 96	980 04	
McAllister, A. ....	do do do .....	19 96	980 04	
Dingman, N. J. ....	do do do .....	12 00	588 00	
	Salaries .....	67 92	3,332 08	
	Contingencies .....		979 02	
<i>Cobourg.</i>				
Graveley, Wm. ....	Salary as Collector, for the year.....	24 00	1,176 00	2,060 12
Murphy, F. ....	do Exciseman do .....	13 96	686 04	
	Salaries .....	37 96	1,862 04	
	Contingencies .....		198 08	
<i>Collingwood.</i>				
Graham, W. J. ....	Salary as Collector, for the year.....	16 04	783 96	920 82
	Contingencies .....		136 86	
<i>Cornwall.</i>				
Mulhern, M. M. ....	Salary as Collector, 17th Nov. to 30th June.....	8 00	392 00	599 05
	Contingencies .....		207 05	
<i>Goderich.</i>				
Caven, A. ....	Salary as Collector, for the year.....	19 96	980 04	5,434 09
Elwood, G. V. ....	do Exciseman do .....	16 04	783 96	
Detlor, S. H. ....	do do do .....	13 96	686 04	
Lang, V. ....	do do do .....	1 80	148 20	
Girdlestone, R. G. M. ...	do do 1st Aug. to 30th June .....	11 00	539 00	
Craig, J. ....	do do 17th Nov. to 30th June .....	8 00	392 00	
	Salaries .....	70 76	3,529 24	
	Contingencies .....		1,904 85	
<i>Guelph.</i>				
McLean, D. ....	Salary as Collector, for the year.....	28 04	1,371 96	
Greay, S. ....	do Exciseman do .....	19 96	980 04	
Alexander, T. ....	do do do .....	19 96	980 04	

APPENDIX B.—No. 1.—Details of Excise Expenditure, 1877-78.—Continued.

To whom Paid.	Service.	Deducted for Superannuation.	Amounts Paid.	Total for each Division.
		\$ cts.	\$ cts.	\$ cts.
<i>Guelph—Concluded.</i>				
Mason, F.....	Salary as Exciseman, for the year.....	19 96	980 04	
McCord, M.....	do do do.....	16 04	783 96	
Campbell, J. McD.....	do do do.....	16 04	783 96	
Kennedy, J. D.....	do do do.....	16 04	783 96	
Dixon, R. E.....	do do do.....	16 04	783 96	
Powell, J. B.....	do do do.....	13 96	686 04	
Nichols, J. F.....	do do do.....	13 96	686 04	
Browne, G. W.....	do do do.....	13 96	686 04	
Weyms, O.....	do do do.....	4 00	196 00	
Adams, G. S.....	do do do.....	12 00	588 00	
Woodward, G. W.....	do do do.....	8 00	392 00	
Bruce, G. A.....	do do do.....	8 00	392 00	
	Salaries.....	225 96	11,074 04	
	Contingencies.....		2,300 08	13,374 12
<i>Hamilton.</i>				
Patton, W.....	Salary as Collector, for the year.....	28 04	1,371 96	
Ross, S. F.....	do Deputy Collector, for the year.....	19 96	980 04	
Dickson, C. T.....	do Exciseman, for the year.....	19 96	980 04	
Stewart, J.....	do do do.....	16 04	783 96	
Stuart, A.....	do do do.....	16 04	783 96	
Crawford, W. P.....	do do do.....	16 04	783 96	
Jagoe, J. F.....	do do do.....	13 96	686 04	
Arnot, A. D.....	do do do.....	13 96	686 04	
Logan, J.....	do do 17th Nov. to 30th June.....	8 00	392 00	
Mowat J.....	do do do.....	8 00	392 00	
	Salaries.....	160 00	7,840 00	
	Contingencies.....		626 51	8,465 51
<i>Kingston.</i>				
Rowland, F.....	Salary as Collector, for the year.....	24 00	1,176 00	
Power, Thos.....	do Deputy Collector, 9th March to 30th June.....	6 21	305 61	
Earle, R. H.....	do Exciseman, 1st Sept. to 30th June.....	16 64	816 70	
Cameron, D. M.....	do Exciseman, 1st July to 31st August.....	2 00	98 00	
Fahey, Edward.....	do Exciseman, 1st Nov. to 30th June.....	8 00	392 00	
Falconer, Jas.....	do do do.....	8 00	392 00	
	Salaries.....	64 85	3,180 31	
	Contingencies.....		825 84	4,006 15
<i>London.</i>				
Spence, J.....	Salary as Collector, for the year.....	25 96	1,274 04	
Blair, J. B.....	do Bookkeeper do.....	19 96	980 04	
Metcalf, W. F.....	do Exciseman do.....	19 96	980 04	
Moore, W.....	do do do.....	16 04	783 96	



APPENDIX B.—No. 1.—Details of Excise Expenditure, 1877-78.—Continued.

To whom Paid.	Service.	Deducted for Superannuation.	Amounts Paid.	Total for each Division.
<i>London—Concluded.</i>		\$ cts.	\$ cts.	\$ cis.
Taylor, J. F.....	Salary as Exciseman, for the year.....	13 96	686 04	
Coles, F. H.....	do do do .....	13 96	686 04	
Armstrong, W. H.....	do Deputy Collector, for the year.....	13 96	686 04	
Hanvey, D.....	do do do .....	12 00	588 00	
Wilson, D.....	do Exciseman, 1st July to 28th February.....	8 00	392 00	
Schram, B. ....	do do do .....	12 00	588 00	
Rowland, E.....	do Exciseman, 1st Nov. to 30th June.....	8 00	392 00	
Spearman, J.....	do Exciseman, 6th April to 30th June.....	2 84	138 83	
	Salaries .....	166 64	8,175 03	
	Contingencies.....		817 42	\$,992 45
<i>Ottawa.</i>				
Battle, M.....	Salary as Collector, for the year.....	24 00	1,176 00	
Henry, J. M. B.....	do Deputy Collector, for the year.....	18 00	882 00	
Brough, J. S.....	do Exciseman, for the year.....	13 96	686 04	
O'Brien, G. S.....	do do 1st July to 5th April.....	9 16	449 17	
	Salaries.....	65 12	3,193 21	
	Contingencies .....		344 57	3,537 78
<i>Paris.</i>				
Hart, D. W.....	Salary as Collector, for the year.....	24 00	1,176 00	
Nelles, R. F.....	do Deputy Collector, for the year.....	19 96	980 04	
Patton, J.....	do Book-Keeper, for the year.....	16 04	783 96	
McWhinnie, J.....	do Exciseman, to 31st July.....	1 33	65 33	
Marter, W. P.....	do do for the year.....	13 96	686 04	
Jones, C. A.....	do do do .....	13 96	686 04	
McWhinnie, R.....	do do 3rd Aug. to 30th June .....	14 63	714 41	
	Salaries .....	103 88	5,091 82	
	Contingencies.....		1,211 01	6,302 83
<i>Perth.</i>				
Kellock, D.....	Salary as Collector, for the year.....	13 96	686 04	
	Contingencies .....		143 99	830 03
<i>Peterborough.</i>				
Hall, J. J.....	Salary as Collector, from 1st July to 24th May.....	12 49	615 96	
Knowlson, J. B.....	do Deputy Collector, for the year.....	12 00	588 00	
	Salaries.....	24 49	1,203 96	
	Contingencies .....		81 68	1,285 64

## APPENDIX B.—No. 1.—Details of Excise Expenditure, 1877-78.—Continued.

To whom Paid.	Service.	Deducted for Superannuation.	Amount Paid.	Total for each Division.
		\$ cts.	\$ cts.	\$ cts.
<i>Prescott.</i>				
Merrill, S. B. ....	Salary as Collector, for the year.....	28 00	1,372 00	
Kenning, J. H. ....	do Exciseman do .....	19 96	980 04	
Ford, J. ....	do do do .....	16 04	783 96	
Gerald, W. ....	do Preventive Officer, for the year .....	4 00	196 00	
Ferguson, J. ....	do Exciseman, 1st Nov. to 30th June.....	8 00	392 00	
Marshall, F. ....	do do do .....	8 00	392 00	
Gerald, Uhas. ....	do do do .....	8 00	392 00	
	Salaries .....	92 00	4,508 00	
	Contingencies.....		843 47	5,351 47
<i>Sarnia.</i>				
McGlashan, P. ....	Salary as Collector, for the year.....	28 04	1,371 96	
McSween, Jas. ....	do Exciseman, 1st Nov. to 30th June.....	8 00	392 00	
	Salaries .....	36 04	1,763 96	
	Contingencies.....		1,199 74	2,963 70
<i>St. Catharines.</i>				
Seymour, J. ....	Salary as Collector, for the year.....	28 04	1,371 96	
Hamilton, W. L. ....	do Dept. Collector, for the year.....	18 00	882 00	
Brougham, M. E. ....	do Exciseman do .....	13 96	686 04	
Kinnear, J. ....	do Asst. Collector do .....	12 00	588 00	
Dunn, A. ....	do Exciseman, 1st July to 31st December.....	6 00	294 00	
Baby, W. A. D. ....	do Exciseman, 1st Jan. to 30th June.....	6 00	294 00	
	Salaries .....	84 00	4,116 00	
	Contingencies .....		576 90	4,692 90
<i>Toronto.</i>				
Morrow, J. ....	Salary as Collector, for the year.....	36 00	1,764 00	
Stratton, W. C. ....	do Dept. Collector do .....	22 04	1,077 96	
Gorrie, W. M. ....	do Bookkeeper do .....	19 96	980 04	
Smith, H. A. ....	do Exciseman do .....	19 96	980 04	
Davis, T. G. ....	do do do .....	19 96	980 04	
Rogerson, J. M. ....	do do do .....	19 96	980 04	
McPherson, A. F. ....	do do do .....	19 96	980 04	
Reddan, W. ....	do do do .....	19 96	980 04	
Gerald, W. J. ....	do Bookkeeper do .....	19 96	980 04	
McDonell, A. D. ....	do Asst. Collector do .....	18 00	882 00	
Bennett, Jas. ....	do Exciseman do .....	16 04	783 96	
Hartley, R. A. ....	do Dept. Collector do .....	13 96	686 04	
Sanford, S. M. ....	do Exciseman do .....	13 96	686 04	
Mulligan, J. ....	do do do .....	12 00	588 00	
Davies, J. J. ....	do do do .....	12 00	588 00	
Thompson, J. G. ....	do do do .....	12 00	588 00	
Milliken, E. ....	do do do .....	12 00	588 00	
Heap, R. ....	do do 1st July to 3rd Oct .....	3 09	151 75	
Striker, E. H. ....	do do for the year.....	12 00	588 00	

APPENDIX B.—No. 1.—Details of Excise Expenditure, 1877-'78.—Continued

To whom Paid.	Service.	Deducted for Superannuation.	Amounts Paid.	Total for each Division.
<i>Toronto—Concluded.</i>		cts.	cts.	\$ cts.
Cameron, W. D.....	Salary as Exciseman, 1st Sept. to 30th June.....	10 00	490 00	
Weyms, C. ....	do do 1st Nov. to 30th June.....	8 00	392 00	
Ross, H. C.....	do do 1st Nov. to 30th June.....	8 00	392 00	
Ross, W. O.....	do do 1st Nov. to 30th June.....	8 00	392 00	
	Salaries .....	356 81	17,498 03	
	Contingencies .....		2,878 06	20,376 09
<i>Windsor.</i>				
Gow, James.....	Salary as Collector for the year.....	36 00	1,764 00	
Fortier, C. G.....	do Deputy Collector, for the year.....	19 96	980 04	
Gill, Wm.....	do Book-keeper do.....	19 96	980 04	
Earle, R. H.....	do Exciseman, 1st July to 31st August.....	3 32	163 34	
Donaghy, Wm.....	do Exciseman, for the year.....	19 96	980 04	
Miller, W. F.....	do do do.....	19 96	980 04	
Ramon, P.....	do do do.....	19 96	980 04	
Dunlop, Chas.....	do Deputy Collector, for the year.....	16 04	783 96	
Vidal, T. G.....	do Exciseman, 1st to 31st July.....	1 16	57 17	
Yates, J. M.....	do do for the year.....	12 00	588 00	
Girdlestone, R. J. M.....	do do 1st to 31st July.....	1 00	49 00	
Devlin, J.....	do do for the year.....	12 00	588 00	
Maisonville, F. H.....	do do 1st July to 31st May.....	11 00	539 00	
Elliott, R. N.....	do Deputy Collector, for the year.....	13 96	686 04	
Baby, W. A.....	do Exciseman, 1st November to 31st December.....	2 00	98 00	
Boutillier, T. P.....	do do 1st November to 30th June.....	8 00	392 00	
Gosnell, T. S.....	do do 1st November to 30th June.....	8 00	392 00	
Iler, B.....	do do 1st November to 30th June.....	8 00	392 00	
Dunn, A.....	do do 1st January to 30th June.....	6 00	294 00	
	Salaries .....	238 28	11,686 71	
	Contingencies .....		2,481 82	14,168 53
<i>Beauharnois.</i>				
McEachern, A.....	Salary as Collector, for the year.....	4 96	395 04	
	Contingencies.....		49 08	444 12
<i>Montreal.</i>				
Browne, D.....	Salary as Collector, for the year.....	36 00	1,764 00	
Vincent, J. L.....	do Deputy Collector, for the year.....	23 66	1,159 67	
Dodd, J.....	do Bookkeeper do.....	19 96	980 04	
Hudon, A.....	do Exciseman do.....	18 30	898 37	

APPENDIX B.—No. 1.—Details of Excise Expenditure, 1877-78.—Continued

To whom Paid.	Service.	Deducted for Superannuation.	Amounts Paid.	Total for each Division.
<i>Montreal—Concluded.</i>				
		\$ cts.	\$ cts.	\$ cts.
Hastie, Wm.....	Salary as Exciseman, for the year .....	18 00	882 00	
Richard, R.....	do do do .....	16 04	783 96	
Duquet, F.....	do do 1st July to 28th February .....	10 64	522 64	
Villeneuve, J.....	do Exciseman, for the year.....	16 04	783 96	
McDonald, D.....	do do do .....	16 04	783 96	
Barker, C.....	do do do .....	14 68	718 68	
Camyré, J. N.....	do do do .....	13 96	686 04	
Bulmer, W.....	do do do .....	13 96	686 04	
Malo, T.....	do do do .....	13 96	686 04	
Goron, D.....	do do do .....	12 00	588 00	
Ste. Marie, L. C. A.....	do do do .....	12 68	620 68	
Manning, J.....	do do do .....	12 00	588 00	
Roy, A.....	do Deputy Collector, for the year .....	4 96	395 04	
Beauchamp, J. P.....	do Exciseman, 1st November to 30th June.....	8 00	392 00	
Fox, Thos.....	do do 1st November to 30th June.....	8 00	392 00	
St. Louis, A. D.....	do do 1st November to 30th June.....	8 00	392 00	
Desrochers, J. L. B.....	do Deputy Collector, 1st Nov., to 30th June.....	5 28	261 36	
Blanchard, L.....	do Exciseman, 1st February to 30th June.....	6 73	326 65	
	Salaries .....	308 89	15,291 13	
	Contingencies .....		4,915 19	20,206 32
<i>Quebec.</i>				
Fortier, J. E.....	Salary as Collector, 1st July to 15th February .....	17 56	861 56	
LaRue, G.....	do do 16th February to 30th June.....	10 48	510 40	
Bernard, A.....	do Exciseman, 1st July to 31st March .....	14 94	735 03	
Oahill, J. H.....	do Book-keeper, for the year.....	18 00	882 00	
Bourassa, G.....	do Exciseman do .....	16 04	783 96	
McNamara, M.....	do do do .....	13 96	686 04	
Rouleau, J.....	do do do .....	13 96	686 04	
Courtney, J.....	do do do .....	13 96	686 04	
Neilan, Geo.....	do do do .....	12 00	588 00	
Belanger, Chas.....	do do do .....	12 00	588 00	
	Salaries.....	142 90	7,067 07	
	Contingencies.....		1,118 35	8,125 42
<i>St. Hyacinthe.</i>				
Boivin, C.....	Salary as Collector, for the year.....	12 00	588 00	
	Contingencies .....		89 65	677 65

APPENDIX B.—No. 1.—Details of Excise Expenditure, 1877-78—Continued.

To whom Paid.	Service.	Deducted for Superannuation.	Amounts Paid.	Total for each Division.
	<i>St. Johns.</i>	\$ cts.	\$ cts.	\$ cts.
Régnier, P. ....	Salary as Collector, for the year .....	4 96	395 04	
Perkins, L. A. ....	do Deputy Collector for the year .....	4 96	395 04	
	Salaries .....	9 92	790 08	
	Contingencies .....		59 37	849 45
	<i>Sherbrooke.</i>			
Griffith, J. ....	Salary as Collector, for the year .....	4 96	395 04	
	Contingencies .....		73 51	468 55
	<i>Terrebonne.</i>			
Leclaire, C. J. ....	Salary as Collector, for the year .....	4 96	395 04	
	Contingencies .....		43 97	439 01
	<i>Three Rivers.</i>			
	Contingencies .....			919 66
	<i>Magdalen Islands.</i>			
Fox, J. J. ....	Salary as Preventive Officer, for the year .....	6 00		294 00
	<i>Miramichi.</i>			
Griffin, J. T. ....	Salary as Collector, for the year .....	19 96	980 04	
	Contingencies .....		58 00	1,038 04
	<i>St. John.</i>			
Perkins, D. C. ....	Salary as Collector, for the year .....	24 00	1,176 00	
Travis, G. ....	do Deputy Collector, for the year .....	16 04	783 96	
Ganong, J. E. ....	do Exciseman, for the year .....	16 04	783 96	
Mason, Jas. ....	do do do .....	12 00	588 00	
Frederickson, J. ....	do do do .....	13 96	686 04	
Hill, A. M. ....	do Collector do .....	8 00	392 00	
Atherton, R. ....	do Deputy Collector, 3rd Sept. to 30th June .....	4 10	327 02	
Dibblee, Wm. ....	do do 27th August to 30th June .....	5 08	248 95	
	Salaries .....	99 22	4,985 93	
	Contingencies .....		1,603 93	6,589 86
	<i>Cape Breton.</i>			
Robertson, L. ....	Salary as Collector, for the year .....	6 32	493 68	
	Contingencies .....		63 99	557 67

APPENDIX B.—No. 1.—Details of Excise Expenditure, 1877-78—Continued.

To whom Paid.	Service.	Deducted for Superannuation.	Amounts Paid.	Total for each Division.
		\$   cts.	\$ cts.	\$ cts.
<i>Halifax.</i>				
Taylor, Chas. ....	Salary as Collector, 20th April to 30th June.....	5 51	270 58	
McLeod, A. ....	do Deputy Collector, for the year.....	19 96	980 04	
Hagarty, P. ....	do Exciseman for the year.....	13 96	686 04	
Wainwright, F. G. ....	do do do .....	12 00	588 00	
Ead, J. ....	do do do .....	12 00	588 00	
Campbell, G. J. ....	do do do .....	6 32	493 68	
Carroll, D. ....	do do 1st November to 30th June.....	4 48	355 52	
	Salaries.....	74 23	3,961 86	
	Contingencies.....		2,356 11	6,317 97
<i>Pictou.</i>				
Porteous, T. M. ....	Salary as Collector, for the year.....	16 04	783 96	
	Contingencies.....		160 00	883 96
<i>Yarmouth.</i>				
Bingay, T. V. B. ....	Salary as Collector, for the year.....	6 32	493 68	
	Contingencies.....		35 92	529 60
<i>Charlottetown.</i>				
Nash, J. C. ....	Salary as Collector, for the year.....	14 94	735 00	
Moore, T. ....	do Exciseman do .....	6 32	493 68	
	Salaries.....	21 26	1,228 68	
	Contingencies.....		650 14	1,878 82
<i>Summerside.</i>				
Ramsey, Geo. ....	Contingencies.....			566 17
<i>Manitoba.</i>				
Mulvey, S. ....	Salary as Collector, for the year.....	20 08	979 92	
Maisonville, F. H. ....	do Exciseman, from 1st to 30th June .....	1 00	49 00	
	Salaries .....	21 08	1,028 92	
	Contingencies .....		949 41	1,978 33
<i>British Columbia.</i>				
Good, H. B. ....	Salary as Collector, for the year.....	32 08	1,587 92	
Lindsay, D. ....	do Deputy Collector, for the year.....	24 00	1,176 60	
	Salaries.....	56 08	2,743 92	
	Contingencies.....		295 69	3,039 61

APPENDIX B.—No. 1.—Details of Excise Expenditure, 1877-78—Continued.

To whom Paid.	Service.	Deducted for Superannuation.	Amounts Paid.	Total for each Division.
<b>DISTRICT INSPECTORS.</b>				
<i>Ontario.</i>				
		\$ cts.	\$ cts.	\$ cts.
Dickson, G. P.....	Salary as District Inspector, for the year Contingencies.....	43 96	2,156 04 473 96	2,630 00
Romain, C. E.....	Salary as District Inspector, for the year Contingencies.....	43 96	2,156 04 494 06	2,650 10
Davis, J.....	Salary as District Inspector, for the year Contingencies.....	43 96	2,156 04 254 98	2,411 02
Borradaile, R.....	Salary as District Inspector, for the year Contingencies.....	36 00	1,764 00 380 67	2,144 67
<i>Quebec.</i>				
Bellemare, R.....	Salary as District Inspector, for the year Contingencies.....	43 96	2,156 04 206 79	2,362 83
LeMoine, J.M.....	Salary as District Inspector, for the year Contingencies.....	36 00	1,764 00 24 08	1,788 08
<i>Nova Scotia.</i>				
Esson, G., jun.....	Salary as District Inspector, for the year Contingencies.....	36 00	1,764 00 518 85	2,282 85
<i>New Brunswick.</i>				
Hanford, T.....	Salary as District Inspector, for the year Contingencies.....	36 00	1,764 00 300 86	2,064 86
<i>Prince Edward Island.</i>				
Macdonald, J. A.....	Salary as District Inspector, for the year Contingencies.....	24 00	1,176 00 83 64	1,239 64
<i>Manitoba.</i>				
Gouin, W. F.....	Salary as District Inspector for the year. Contingencies.....	40 04	1,959 96 378 00	2,337 96
<i>British Columbia.</i>				
Dupont, C. T.....	Salary as District Inspector for the year. Contingencies.....	44 00	2,156 00 434 50	2,590 50

## APPENDIX B.—No. 1.—Details of Excise Expenditure, 1877-78.—Continued

To whom Paid.	Service.	Deducted for Superannuation.	Amounts Paid.	Total for each Division.
	<i>Chief Inspector.</i>	\$ cts.	\$ cts.	\$ cts.
Godson, H.....	Salary as Chief Inspector for the year..	48 00	2,352 00	
	Contingencies .....		669 89	
				3,021 89
Davis, John .....	Travelling and incidental expenses as Inspector of Distilleries.....		570 55	
St. Lawrence and Ottawa Railway.....	Freight.....		5 38	
Griffin, J. J. & Sons.....	Burettes and acids .....		30 29	
Davis, John.....	Expenses attending excise examinations .....		211 40	
Dickson, G. P.....	do do .....		173 05	
Fréchette, A.....	Translation .....		15 00	
Burland, G. B.....	Printing tobacco stamps and books .....		3,799 75	
Brunel, A.....	Travelling expenses on excise service.....		50 00	
Moore, J. H.....	Expenses attending excise examinations .....		17 00	
Canadian Express Co.....	Expressage .....		33 03	
Yarmouth Herald .....	Advertising .....		4 50	
Gow, James.....	Expenses of officers attending excise examinations .....		86 90	
Caven, A.....	do do do .....		37 40	
Romain, C. E.....	Expenses attending excise examinations .....		58 40	
Christian Visitor.....	Advertising .....		5 00	
Negretti & Zambra.....	Thermometers .....		170 45	
Mortimer, A.....	Diaries .....		17 50	
Hart & Rawlinson .....	Paper for papyrograph.....		11 00	
Cheney, H. J.....	Catalogue of scientific apparatus.....		1 10	
Shoolbred & Co.....	Oil-cloth for testing room.....		29 55	
Booth & Son.....	Malt measures, &c., &c.....		453 35	
Dring & Fage.....	Beer-testing apparatus.....		68 74	
Pritchard & Mingard.....	Twelve rubber stamps .....		39 65	
Wells and Fargo.....	Freight .....		19 30	
Morrow, John.....	To pay for fitting up tobacco-drying apparatus.....		120 28	
Quebec Chronicle.....	Advertising .....		5 52	
Graham, W. J.....	Expenses in searching for illicit stills, &c.....		24 41	
McLean, D.....	do do do .....		80 21	
Borradaile, R.....	do do do .....		738 61	
Morrow, J.....	do do do .....		92 80	
Caven, A.....	do do do .....		118 17	
Browne, D.....	do do do .....		114 00	
Godson, H.....	do do do .....		100 00	
McGlashan, P.....	do do do .....		8 43	
McEachern, A.....	do do do .....		5 25	
Gerald, W. J.....	Expenses on tour of inspection.....		316 65	
	Total .....		7,632 62	
	Less—Received for samples of tobacco stamps ...		2 00	
	Total General Contingencies.....			7,630 62



## APPENDIX B.—No. 1.—Details of Excise Expenditure, 1877-78.—Continued.

Name.	Service.	Amounts Paid.		Total.
		\$	cts.	\$ cts.
Peterson, H. W.....	Law costs.....	252	20	
Hanna, J. J.....	do.....	35	53	
Holton, G. C.....	do.....	100	00	
Bethune, James.....	do.....	34	18	
Morrow, J.....	do.....	22	20	
Jamieson & Greig.....	do.....	20	00	
Esson, G., jun.....	do.....	67	40	
Weatherbee, R. L.....	do.....	117	07	
McCoy, W. F.....	do.....	123	67	
Laferrière, J. O.....	do.....	9	88	
Aylen, J.....	do.....	15	00	
<b>Total Law<sup>s</sup>Costs.....</b>				<b>797 05</b>
<b>COMMISSION TO CUSTOMS OFFICERS.</b>				
Warren, Joseph.....	Pembroke, Ont., 1st April, 1877, to 30th June, 1878.....	187	50	
Nicholson, P.....	Prince Arthur Landing, (Ont., 1st July, 1876, to 30th September, 1877.....	187	50	
Livingstone, J.....	Silver Islet, Ont., 1st July, 1876, to 30th June, 1877.....	45	98	
Benson, J.....	Napanee, Ont., 1st July, 1877, to 30th June, 1878.....	150	00	
McIntosh, R.....	Kincardine, Ont., 1st July, 1877, to 30th June, 1878.....	52	51	
Gove, C. M.....	St. Andrews, N.B., 1st July, 1876, to 30th June, 1877.....	150	00	
Farmer, John.....	Campo Bello, N.B., 1st July, 1876, to 30th June, 1877.....	32	43	
O'Brien, W. J.....	Bathurst, N.E., 1st April, 1877, to 30th June, 1878.....	80	92	
Street, A. F.....	Fredericton, N.B., 1st July, 1876, to 30th June, 1877.....	187	50	
Dibblee, W.....	Woodstock, N.B., 15th October, 1876, to 19th August, 1877.....	150	00	
Dixon, J. B.....	Sackville, N.B., 18th November, 1875, to 6th May, 1878.....	58	85	
Jones, S.....	Weymouth, N.S., 1st July, 1876 to 30th June, 1877.....	14	88	
Letson, J. J.....	Port Medway, N.S., 1st July, 1876, to 30th June, 1877.....	2	43	
Crowe, J. F.....	Truro, N.S., 1st July, 1876, to 30th June, 1878.....	182	78	
Tremaine, E. D.....	Port Hood, N.S., 1st July, 1876, to 30th June, 1877.....	58	60	
Dowling, E.....	Lunenburg, N.S., 1st July, 1876, to 30th June, 1877.....	76	51	
O'Brien, P.....	Windsor, N.S., 1st July, 1876, to 30th June, 1878.....	95	03	
McPhie, H.....	Antigonish, N.S., 1st April, 1877, to 31st December, 1877.....	112	50	
Leard, S. J. B.....	Crapaud, P.E.I., 1st April, 1877, to 30th June, 1878.....	30	87	
Owen, Charles.....	Georgetown, P.E.I., to 30th June, 1878.....	52	77	
Moyugh, T.....	Souris, P.E.I., 1st January, 1877, to 30th June, 1878.....	101	50	

## APPENDIX B.—No. 1.—Details of Excise Expenditure, 1877-78.—Continued

Name.	Service.	Amounts Paid.		Total.	
		\$	cts.	\$	cts.
White, J. F.....	Cascumpec, P.E.I, 1st October, 1877, to 31st December, 1877.....	27	22		
	Total Commission to Customs Officers.....			2,038	28
	Total.....			202,165	79
ADD—Printing.....		4,074	73		
Stationery.....		730	19		
Preventive Service.....		5,852	02		
				10,656	94
	Authorized Disbursements (less Superannuation).....			212,822	73
ADD—Balances due to Collectors, &c., 1st July, 1877.....		49	08		
do by do 30th June, 1878.....		1,001	90		
				1,050	98
				213,873	71
LESS—Balances due by Collectors, &c., 1st July, 1877.....		594	38		
do to do 30th June, 1878.....		49	28		
				643	66
	Actual Disbursements agreeing with Statement 4, page 6.....			213,230	05

A BRUNEL,  
Commissioner.

INLAND REVENUE DEPARTMENT,  
OTTAWA, 22nd October, 1878.

## APPENDIX B.—Continued.

## No. 2.—DETAILS of Canal Expenditure, 1877-78.

Canals.	Names of Employés.	Deducted for Superannuation.	Amounts Paid.	Total.	Grand Total.
		\$ cts.	\$ cts.	\$ cts.	\$ cts.
<i>Welland Canal.</i>					
Port Colborne.....	Rooth, W. A., Collector, 1st July to 28th Feb.....	18 64	914 64		
	McFarland, D. E., Collector, 1st March to 30th June.....	9 40	457 32		
	Scholfield, J., Clerk, for the year.....	6 32	493 68		
	Leggett, J. E. do do.....	12 00	588 00		
	Wilson, G. do do.....	3 72	296 28		
	Salaries.....	50 08	2,749 92		
	Contingencies.....		41 30		
Port Dalhousie.....	Clark, J., Collector, for the year.....	24 00	1,176 00	2,791 22	
	Contingencies.....		382 58		
Dunnville.....	Tipton, T. L. M., Collector, for the year.....	15 00	735 00	1,568 58	
	Contingencies.....		19 25		
Port Maitland.....	Galbraith, T. J., Collector, for the year.....	10 04	489 96	754 25	
	Contingencies.....		113 50		
Port Robinson.....	McFarland, D. E., Collector, from 1st July to 28th February.....	9 60	470 40	603 46	
	Coulter, R., from 2nd March to 30th June.....	4 76	233 31		
	Salaries.....	14 36	703 71		
	Contingencies.....		20 08		
St. Catharines.....	Collier, H. H., Collector, for the year.....	4 04	195 96	723 79	
	Contingencies.....		27 90		
	Total Welland Canal.....			223 86	
<i>St. Lawrence Canals.</i>					6,655 16
Beauharnois.....	Brossoit, T., Collector, for the year.....	16 96	833 04		
	Contingencies.....		150 71		
Cornwall.....	Phelan, J. A., Collector, for the year.....	19 96	980 04	983 75	
	Contingencies.....		74 07		
Montreal.....	O'Neil, J., Collector, for the year.....	31 96	1,568 04	1,054 11	
	McNally, T., Clerk do.....	19 96	980 04		
	Cauchon, A. do do.....	19 96	930 04		
	Pominville, L. do do.....	13 96	686 04		
	Bussière, F. do do.....	12 00	588 00		
	Salaries.....	97 84	4,802 16		
	Contingencies.....		2,558 89		
Lachine.....	Dyde, J. S., Collector, for the year.....	19 96	980 04	7,361 05	
	Têtu, F. X., Clerk do.....	16 04	783 96		
	Salaries.....	36 00	1,764 00		
	Contingencies.....		748 29		
				2,512 29	

## APPENDIX B.—No. 2.—Detail of Canal Expenditure, 1877-78.—Continued

Canals.	Names of Employés.	Deducted for Superannuation.	Amounts Paid.	Total.	Grand Total.
		\$ cts.	\$ cts.	\$ cts.	\$ cts.
<i>St. Lawrence Canals.</i> Concluded.					
Edwardsburg.....	McMillan, R. P., Collector, for the year	15 00	735 00		
	Reid, J., Landing Waiter do ...	4 96	395 04		
	Salaries .....	19 96	1,130 04	1,130 04	
	Total St. Lawrence Canals.				13,041 24
<i>Chambly Canal.</i>					
Chambly.....	D'Eschambault, H., Collector, from 1st July to 28th February .....	13 28	653 36		
	Jodoin, A. P., Collector, 11th March to 30th June .....	6 11	300 33		
	Berger, N., Clerk, for the year.....	6 32	493 68		
	Salaries .....	25 71	1,447 37		
	Contingencies.....		10 22	1,457 59	
St. John's.....	Brennan, J., Collector, for the year..	12 00	588 00		
	Fournier, J. A., Assistant Collector, for the year.....	4 04	195 96		
	Salaries.....	16 04	783 96		
	Contingencies.....		126 00	903 96	
St. Ours.....	Lebœuf, J., Collector, for the year....	10 56	564 42		
	Contingencies.....		15 20	579 62	
	Total Chambly Canal.....				2,941 17
<i>Rideau Canal.</i>					
Ottawa.....	Carmen, G. A., Collector, for the year	16 04	783 96		
	Contingencies.....		828 89	1,612 85	
Kingston Mills...	Deane, J., Collector, for the year.....	2 48	197 52		
	Contingencies.....		45 70	243 22	
Smith's Falls.....	Richey, W. M., Collector, for the year	2 48	197 52		
	Contingencies.....		20 26	217 78	
	Total Rideau Canal.....				2,073 85
<i>Ottawa Canals.</i>					
Grenville.....	Schneider, G., Collector, for the year	11 58	567 45		
	Contingencies.....		137 94	705 39	
Carillon .....	Murphy, D., Collector, for the year...	6 32	493 68		
	Contingencies.....		52 00	545 68	
St. Ann's Locks.....	Barrett, J., Collector, for the year....	18 00	882 00		
	Contingencies.....		46 55	928 55	
	Total Ottawa Canals .....				2,179 62

APPENDIX B.—No 2.—Details of Canal Expenditure, 1877-78—Continued.

Canals.	Names of Employés.	Deducted for Superannuation.	Amounts Paid.	Total.	Grand Total.
		\$ cts.	\$ cts.	\$ cts.	\$ cts.
<i>Burlington Bay Canal</i> .....	Campbell, T., Ferryman, for the year	3 72	296 28		
	Total Burlington Bay Canal.....				296 28
<i>Newcastle District Works</i> .....	Contingencies.....				16 22
<i>Inspector</i> .....	Bell, R., for the year.....	28 04	1,371 96		
	Contingencies.....		219 05		1,591 01
	Total.....				28,794 55
	ADD—General Contingencies.....			40 50	
	Printing.....			404 10	
	Stationery.....			159 32	
					603 92
	Authorized Disbursements (less Superannuation).....				29,398 47
	ADD—Balance due by Collectors, &c., 30th June, 1878.....				32 65
					29,431 12
	LESS—Balance due by Collectors, &c., 1st July, 1877.....				30 16
	Actual Disbursements, agreeing with Statement No. 6, page 10.....				29,400 96

A. BRUNEL,  
Commissioner.

INLAND REVENUE DEPARTMENT,  
OTTAWA, 22nd October, 1878.

APPENDIX B.—Continued.

No. 3.—SLIDES AND BOOMS' SERVICE.—Details of Expenditure for the Fiscal Year ended 30th June, 1878.

Division.	Names.	Nature of Service.	Deducted for Superannuation.	Amounts Paid.	Total.	Grand Total.
			\$ cts.	\$ cts.	\$ cts.	\$ cts.
OTTAWA		<i>Salaries.</i>				
	Russell, A. J.	Collector of Slide Dues, &c.	52 04	2,547 98		
	McNutt, C. S.	Assistant Collector of Slide Dues, &c.	36 00	1,764 00		
	Ritchie, James	Book-keeper	28 04	1,371 98		
	Russell, A. J., jun	Draftsman	24 00	1,176 00		
	Smith, E. T.	Clerk, 1st July to 3rd Sept., 1877	3 43	168 76		
	Jackson, J.	Messenger	4 85	386 80		
	Macdonald, John	Deputy Slide Master	1 68	83 28		
	Stean, James	Timber Counter		498 64		
	Redmond, John	Boatman		467 81		
		Total Salaries.	150 04		8,485 23	
		<i>Contingencies.</i>				
	Russell, A. J.	Rent of Office		450 00		
	Darby, John	Extra Clerk		730 00		
	Larose, S. C.	do		730 00		
	Slater, James	do		730 00		
	Smith, E. T.	do		434 00		
	Forrest, A. G.	Plan and Field Notes		134 00		
	Bell, William	do		25 00		
	Post Office	Postal accounts		137 32		
	Telegraph Company	Telegraphing		69 08		
	Kirby, T. H.	City taxes		75 27		
	Water Commissioners	Water rates		17 00		
	Russell, A. J.	Petty expenses		74 13		
	McNutt, C. S.	Travelling expenses, &c.		17 53		
	Merryfield, T.	Fuel		10 00		

APPENDIX B.—Continued.

No. 3.—SLIDES AND BOOMS' SERVICE.—Details of Expenditure for the Fiscal Year ended 30th June, 1878.—*Con.*

Division.	Names.	Nature of Service.	Deducted for Superannuation.	Amounts Paid.	Total.	Grand Total.
			\$ cts.	\$ cts.	\$ cts.	\$ cts.
OTTAWA— <i>Con.</i>	Honey, John.....	Fuel.....		29 00		
	Flynn, Charles.....	do.....		61 40		
	Clemow & Co.....	do (Coal).....		15 00		
	Hope, J., & Co.....	Stationery.....		78 19		
	Chamberlin, B.....	<i>Canada Gazette</i> .....		4 00		
	Hunter, Rose & Co.....	Ontario do.....		4 00		
	Langlois & Co.....	Quebec do.....		5 00		
	Mitchell, C. W.....	<i>Free Press</i> .....		6 00		
	Hutton & Living.....	Lamp shades, &c.....		4 20		
	Butterworth & Co.....	Oil and lamps.....		13 30		
	McKenna, H.....	do.....		3 00		
	Dalgin, James.....	Candles, soap, &c.....		8 53		
	McDonald, R.....	Stove.....		8 00		
	Smith, G.....	Cleaning watercloset.....		6 40		
	Reiffenstein, J.....	Survey, &c.....		18 00		
	McCuan, J.....	Investigation concerning deficiency in saw-logs.....		24 50		
		Total Contingencies.....		3,921 87		
		Less—Refund of pay of workman in charge of lumber under seizure.....		143 00		3,778 87
		Total Ottawa Office.....				12,244 10
		<i>Salaries.</i>				
	Stewart, McLean.....	Collector of Slide Dues, &c.....	52 04	2,547 96		
	Mackay, John.....	Assistant Collector of Slide Dues, &c.....	30 00	1,470 00		
	Miller, Pierre.....	Clerk.....	19 96	980 04		
	Total Salaries.....		102 00	4,998 00		

		<i>Contingencies.</i>			
Post Office.....	Postal accounts.....	.....	.....	14 88	.....
Telegraph Company.....	Telegraphing, &c.....	.....	.....	6 85	.....
Morris, Sarah.....	Washing.....	.....	.....	12 00	.....
Foote, J. J.....	<i>Morning Chronicle</i> .....	.....	.....	6 00	.....
Cherrier, A. B.....	Quebec Directory.....	.....	.....	5 00	.....
Miller & Son.....	Stationery, stamps, &c.....	.....	.....	24 05	.....
Laroche, W. H.....	Ice.....	.....	.....	5 00	.....
Miller, Pierre.....	Watching timber, &c.....	.....	.....	22 00	.....
Mackay, John.....	Inspection, &c.....	.....	.....	39 15	.....
	Total Contingencies.....	.....	.....	134 93	.....
	Total Quebec Office.....	.....	.....	5,132 93	.....
	<i>Salaries.</i>	.....	.....	.....	.....
Dubord, A.....	Collector of Slide Dues.....	.....	2 60	19 40	.....
	<i>Contingencies.</i>	.....	.....	.....	.....
Normand, J. B.....	Timber Counter.....	.....	.....	130 00	.....
Beaulieu, T.....	do.....	.....	.....	159 00	.....
Normand Phil.....	do.....	.....	.....	61 00	.....
	Total Contingencies.....	.....	.....	350 00	.....
	Total St. Maurice Office.....	.....	.....	547 40	.....
	Total.....	.....	.....	17,924 43	.....
	Add—Printing.....	.....	.....	74 95	.....
	Stationery.....	.....	.....	116 63	.....
	Authorized Disbursements (less Superannuation), being also Actual Disbursements, agreeing with Statement 7 <sup>2</sup> , page 13.....	.....	.....	191 57	.....
		.....	.....	18,116 00	.....

A. BRUNEL,  
*Commissioner,*

INLAND REVENUE DEPARTMENT,  
OTTAWA, 22nd October, 1878.



APPENDIX B.—Continued.

No. 4.—DETAILS of Callers' Fees, for the Fiscal Year ended 30th June, 1878.

Division.	Department.	Names of Callers.	Fees paid to Callers.	Total.	Grand Total.				
			\$ cts.	\$ cts.	\$ cts.				
QUEBEC.....	Square Timber, Masts, Deals, Spars, &c..... Square Timber.....	Rafferty, John.....	768 59	810 03					
		Dorval, George.....	736 35						
		Lecompte, Salem.....	730 28						
		Noel, Elie.....	721 24						
		O'Brian, J.....	712 12						
		Gauvreau, Olivier.....	704 33						
		Miller, Alfred.....	698 35						
		Meinley, Thomas.....	686 83						
		French, W. J.....	689 10						
		McKendry, Daniel.....	685 68						
		Bergeron, Joseph.....	675 68						
		Gilchen, Thomas.....	673 03						
		Frederick, Antoine.....	759 65						
		Kelly, Michael.....	673 70						
		LaRose, Joseph.....	619 33						
		Miller, George.....	759 90						
		Duggan, Edward.....	577 68						
		Kelly, Edward.....							
							1,168 16	11,879 74	
			Deals, Planks, &c.....			Malone, Thomas.....	1,142 07		
						LeFlamme, Joseph..	940 87		
						Morend, Denis.....	868 24		
						Demers, F. X.....	799 93		
						Vachon, J. B., jun.....	736 69		
						Malone, Jas. C.....	674 72		
						Malone, Jeff.....	670 52		
						Myler, James.....	647 64		
						Lynch, John.....	542 86		
						McNaughton, F.....	481 74		
						Canchy, C.....	457 14		
		Power, Richard.....	271 97						
		Lockquell, Benjamin.....							

	Hamel, Michael.....	449 93	
	Thompson, F. X.....	249 38	
	Cioutier, Louis.....	201 41	
	Couture, C.....	154 82	
	Hamel, A. F.....	137 93	10,595 91
	Staves.....		
	Munro, William.....	465 70	
	Beaupré, Noel.....	417 74	
	Villeneuve, Jacques.....	408 63	
	Murphy, John.....	367 72	
	Gibbons, M.....	358 64	
	Myrand, Louis.....	354 95	
	Frederick, Jos.....	349 50	
	Ferland, P.....	329 23	
	Bedard, Jer.....	364 69	
	Remaining in hands of Supervisor.....		3,416 80
			1 76
			26,704 24
	Less amount in hands of Supervisor at 1st July, 1877, since refunded.....		1,082 87
	Total Quebec.....		25,621 37
MONTREAL, LACHINE AND SOREL .....	Cusson, F. X.....	403 69	
	Barsalo, F.....	418 10	
	Cusson & Barsalo.....	18 11	
	Total Montreal and Sorel.....		839 80
	Total Fees paid to Cutlers.....		26,461 17

A. BRUNEL,  
Commissioner.

INLAND REVENUE DEPARTMENT,  
OTTAWA, 22nd October, 1878

APPENDIX B.—Continued.

No. 5.—DETAILS of Cullers' Expenditure for the Fiscal Year ended 30th June, 1878.

Divisions.	Names.	Nature of Service.	Deducted for Superannuation.	Amounts Paid.	Total.	Grand Total.
			\$ cts.	\$ cts.	\$ cts.	\$ cts.
	Quinn, William	Supervisor of Cullers	40 04	1,959 96		
	Fraser, Alexander	Deputy	31 96	1,568 04		
	Walsh, T. J.	Cashier	24 00	1,176 00		
	Power, Thomas	Specification Clerk	16 04	753 96		
	O'Brien, M.	do	12 00	588 00		
	DeBlois, G. H.	do	6 32	493 68		
	Tierney, John	Messenger	4 96	395 04		
	Whelan, W. H.	Specification Clerk	20 00	980 00		
	Duggan, Edward	do	8 75	428 75		
	Launière, Wolfred	do	14 00	686 00		
	Belland, J. E.	do	12 00	588 00		
	Levasseur, Z.	do	12 00	588 00		
	Foley, James	do	12 00	588 00		
	Poliquin, Ferd.	do	12 00	588 00		
	Grogan, T. P.	do	6 24	493 76		
	Belléve, Charles	do	6 24	493 76		
	Martigny, C. R., de	do	3 21	157 67		
		Total Salaries	241 76		12,556 62	
		<i>Contingencies.</i>				
	Giblin, John	Rent of office		1,200 00		
	Corporation	Assessment taxes		323 00		
	Gossin, Theo.	Fuel		180 00		
	Lemieux, W. F.	do		17 00		
	Lafrance, N.	Sawing fuel, &c.		50 00		
	Morris, Sarah	Charwoman		60 00		
	Lafrance, Mrs.	do		10 00		
	Côté & Co.	Advertising in Journal		40 30		
	Footé, J. J.	do		28 76		
	Marcoite, S.	do		34 24		

				1,000 00	
<i>Gowen, Edward</i> .....	<i>Assistant Clerk</i> .....			29 38	
<i>Kane, Anna</i> .....	<i>Tinsmith</i> .....			18 51	
<i>Quinn, J. A.</i> .....	<i>Sundries</i> .....			16 52	
<i>Corbin, Joseph</i> .....	<i>Joiner</i> .....			14 00	
<i>Arnold, Thomas</i> .....	<i>Carting snow</i> .....			10 75	
<i>LaRoche, W. H.</i> .....	<i>Ice, &amp;c.</i> .....			8 90	
<i>Laliberté, D.</i> .....	<i>Locksmith</i> .....			5 50	
<i>Behan Brothers</i> .....	<i>Towels, &amp;c.</i> .....			3 00	
<i>Quebec Post Office</i> .....	<i>Postal accounts</i> .....			2 25	
<i>Shaw &amp; Co.</i> .....	<i>Cordage</i> .....			2 00	
<i>Huot, Philip</i> .....	<i>Copy of lease</i> .....			1 95	
<i>Shea, T. H.</i> .....	<i>Sundries</i> .....			112 88	
<i>Walsh, T. J.</i> .....	<i>Petty expenses</i> .....			4 33	
<i>Brousseau, G.</i> .....	<i>Plumber</i> .....			41 70	
<i>McGuire, James</i> .....	<i>do</i> .....			170 07	
<i>Fraser &amp; Co.</i> .....	<i>Extra service</i> .....			166 27	
<i>Pare, J. A.</i> .....	<i>do</i> .....			137 98	
<i>Noulan, J. H.</i> .....	<i>do</i> .....			129 38	
<i>Pierce &amp; Co</i> .....	<i>do</i> .....			129 05	
<i>LaRoche</i> .....	<i>do</i> .....			79 04	
<i>Gallagher &amp; Co</i> .....	<i>do</i> .....			64 71	
<i>Bogué, A.</i> .....	<i>do</i> .....			34 68	
<i>Walsh, M. F.</i> .....	<i>do</i> .....			3 01	
<i>Bellerive, George</i> .....	<i>do</i> .....				
	<b>Total Contingencies</b> .....			4,109 14	
	<b>Total Quebec Expenditure</b> .....				16,665 76
	<i>Salaries.</i>				
<i>Belland, F. X.</i> .....	<i>Deputy Supervisor of Cullers</i> .....	16 04		783 96	
	<b>Total Salaries</b> .....			783 96	
	<i>Contingencies.</i>				
<i>Cusson, W. H. P.</i> .....	<i>Book-keeper</i> .....			416 00	
<i>Crevier, P.</i> .....	<i>Rent</i> .....			100 00	
<i>Water and Road Rates</i> .....	<i>Taxes</i> .....			21 50	
<i>Trudeau, Elmira</i> .....	<i>Cleaning office</i> .....			37 31	
<i>Normand, Jacques</i> .....	<i>Wood</i> .....			16 00	
<i>Post Office, &amp;c.</i> .....	<i>Postage, Stationery</i> .....			3 73	
	<b>Total Contingencies</b> .....			594 54	
	<b>Total Montreal, Lachine and Sorel</b> .....				1,378 50

MONTREAL, LACHINE AND SOREL

APPENDIX B.—No. 5.—Details of Cutlers' Expenditure for the Fiscal Year ended 30th June, 1878.—Continued.

Division.	Names.	Nature of Service.	Deducted for Superannuation.	Amounts Paid.	Total.	Grand Total.
			\$ cts.	\$ cts.	\$ cts.	\$ cts.
	<i>Paid to Retired Cutlers.</i>					
	Murphy, M.			233 32		
	Clark, T.			200 00		
	Murphy, J. V.			137 52		
	Valin, Mrs			33 32		
	Miller, J.			183 32		
	Jolin, Jac.			183 32		
	Lambert, Stephen			183 32		
	Jennest, P.			183 32		
	Jordan, John			183 32		
	Morrisette, J.			183 32		
	Lereghan, M.			183 32		
	Lockquell, O.			183 32		
	Lockquell, L.			183 32		
	Demers, L.			183 32		
	Clark, J.			183 32		
	McNeil, P.			183 32		
	Verrette, E.			183 32		
	Lockquell, A. H.			183 32		
	Sullivan, J. O.			183 32		
	McPeak, Wm.			150 00		
	McCormack, J.			150 00		
	Walsh, Wm			150 00		
	Duggan, W.			150 00		
	Donaghue, G.			150 00		
	Yachon, J. B., jun.			183 32		
	Feore, J. F.			233 32		
	Dorval, P.			233 32		
	<b>Total.</b>					<b>4,723 92</b>

<i>General Contingencies.</i>				
Myler, James.....	Expenses attending examination.....	.....	6 00	
Quebec Chronicle.....	Advertising.....	.....	6 48	
Remillard & Flynn.....	Law costs in re recovery of outstanding ac- counts.....	.....	200 00	
Quebec Mercury.....	Advertising.....	.....	53 00	265 48
	Total.....	.....		23,033 66
	Add—Printing.....	.....	136 14	
	Stationery.....	.....	51 11	
	Cullers' Fees, per Statement 4, App. B.....	.....	26,161 17	26,648 92
	Authorized Disbursements (less Superannua- tion) agreeing with Statement 10, Page 17.....	.....		49,682 58

A. BRUNEL,  
*Commissioner.*

INLAND REVENUE DEPARTMENT,  
OTTAWA, 22nd October, 1878.

APPENDIX B.—Continued.

No. 6.—DISTRIBUTION of Seizures.

Division.				Amount.	Total.
				\$ cts.	\$ cts.
<i>Ontario.</i>					
Goderich.....	Collector Caven, for his proportion of Seizure No. 32			1 34	
do .....	do do do do			43 5 01	
do .....	do do do do			56 4 41	
do .....	Officer Detlor do do			32 .....	10 76
do .....	Officer Donaghy do do			32 .....	1 33
do .....	Officer Craig do do			56 .....	1 33
Guelph.....	Collector McLean do do			61 .....	4 40
do .....	Collector to pay Informer's share of penalty in re Seizure No. 56			.....	7 30
do .....	do do do Nos. 59 & 63			.....	100 00
do .....	Officer Nichols, for his proportion of Seizure No. 61			.....	400 00
do .....	Officer Powell do do			61 .....	7 30
do .....	Officer Dixon do do			51 .....	7 29
do .....	Collector Gow do do			51 .....	34 55
Windsor.....	do do do			18 11 12	
do .....	Depty Collr. Fortier do do			18 .....	45 67
London.....	Officer Coles do do			4 .....	11 12
do .....	Officer Moore do do			21 .....	9 00
do .....	Collector Spence do do			20 14 13	25 00
do .....	do do do do			21 25 00	
do .....	do do do do			22 25 00	
Toronto.....	do do do do			31 51 00	
do .....	Collector Morrow do do			52 182 87	115 13
do .....	do do do do			90 95 24	
do .....	do do do do			98 25 00	
do .....	Officer Reddan do do			70 .....	303 11
do .....	Officer Mulligan do do			70 .....	95 23
do .....	Officer Sanford do do			94 .....	95 23
do .....	Officer Striker do do			98 .....	45 70
Ottawa.....	Custom Officer Hency do do			12 .....	25 00
do .....	P. Morin do do			18 .....	4 40
	Total Ontario.....				11 32
					1,360 17
<i>Quebec.</i>					
St. Hyacinthe.....	Collector Roy, for his proportion of Seizure No. 5			.....	0 45
Montreal.....	Collector Browne do do			163 16 48	
do .....	do do do do			166 183 71	
do .....	do do do do			173 28 40	
do .....	do do do do			181 12 08	
do .....	do do do do			184 2 50	
do .....	do do do do			208 5 38	
do .....	do do do do			209 4 18	
do .....	do do do do			210 2 88	
do .....	do do do do			219 14 39	
do .....	do do do do			229 5 37	
do .....	do do do do			235 26 20	
do .....	do do do do			239 5 87	
do .....	do do do do			241 2 71	
do .....	do do do do			243 19 90	
do .....	do do do do			249 62 50	
do .....	do do do do			251 11 90	
					404 45

APPENDIX B.—No. 6.—Distribution of Seizures.—Continued.

Division.					Amount.	Total.
	<i>Quebec—Continued.</i>				\$ cts.	\$ cts.
Montreal .....	Officer DeFoy, for his proportion of Seizure No.			163		16 47
do .....	Officer Leroux	do	do	176	9 72	
do .....	do	do	do	55	1 50	
do .....	Officer Culhane	do	do	166	183 71	11 22
do .....	do	do	do	173	28 40	
do .....	do	do	do	178	5 00	
do .....	do	do	do	179	7 25	
do .....	do	do	do	180	1 25	
do .....	do	do	do	181	12 09	
do .....	do	do	do	184	2 50	
do .....	do	do	do	185	22 12	
do .....	do	do	do	186	7 50	
do .....	do	do	do	202	11 75	
do .....	do	do	do	203	8 75	
do .....	do	do	do	204	19 75	
do .....	do	do	do	205	12 55	
do .....	do	do	do	206	11 75	
do .....	do	do	do	207	19 00	
do .....	do	do	do	208	5 37	
do .....	do	do	do	209	4 17	
do .....	do	do	do	210	2 87	
do .....	do	do	do	211	3 75	
do .....	do	do	do	212	14 80	
do .....	do	do	do	213	1 20	
do .....	do	do	do	214	2 65	
do .....	do	do	do	216	4 75	
do .....	do	do	do	217	5 50	
do .....	do	do	do	218	4 75	
do .....	do	do	do	220	3 70	406 88
do .....	Officer Manning	do	do	181	12 08	
do .....	do	do	do	213	1 20	
do .....	do	do	do	214	2 65	
do .....	Officer Cauchon	do	do	219	14 40	15 93
do .....	do	do	do	241	2 72	
do .....	Officer Camyré	do	do	225	51 65	17 12
do .....	do	do	do	232	109 00	
do .....	do	do	do	237	2 00	
do .....	do	do	do	238	31 90	
do .....	do	do	do	240	8 50	
do .....	do	do	do	242	28 75	
do .....	Officer L. C. A. Ste. Marie	do	do	229		231 80
do .....	Officer Macdonald	do	do	233		5 38
do .....	Officer St. Louis	do	do	235		1 20
do .....	do	do	do	239	5 88	
do .....	do	do	do	251	11 90	
do .....	Officer Goron	do	do	237		43 98
do .....	Officer Richard	do	do	241	2 72	2 00
do .....	do	do	do	247	28 45	
do .....	Officer Hudon	do	do	243	19 90	31 17
do .....	do	do	do	251	11 90	
						31 80



APPENDIX B.—No. 6.—Distribution of Seizures—Continued.

Division.	—			Amount.	Total.
<i>Quebec—Concluded.</i>				\$ cts.	\$ cts.
Montreal .....	Deputy Collector Vincent, for his proportion of Seizure No. 247 .....				28 45
Quebec .....	Officer McNamara	do	do	34 2 10	
do .....	do	do	do	35 2 14	
do .....	do	do	do	36 3 07	
do .....	do	do	do	40 1 59	8 90
do .....	Officer Cahill	do	do	34 2 08	
do .....	do	do	do	35 2 13	
do .....	do	do	do	36 3 07	7 28
do .....	Detective Joannette	do	do	34 2 08	
do .....	do	do	do	35 2 13	
do .....	do	do	do	36 3 06	7 27
do .....	Officer Rouleau	do	do	40 1 59	1 59
Three Rivers .....	Acting Collector Hébert			18 24 10	
do .....	do	do	do	19 3 20	
do .....	do	do	do	20 6 50	
do .....	do	do	do	22 18 07	
do .....	do	do	do	23 42 17	
do .....	do	do	do	24 14 08	
do .....	do	do	do	25 1 83	
do .....	do	do	do	26 5 90	
do .....	do	do	do	27 2 96	
do .....	do	do	do	28 3 86	
do .....	do	do	do	29 1 91	
do .....	do	do	do	30 1 91	
do .....	do	do	do	31 18 90	
do .....	do	do	do	32 34 60	
do .....	do	do	do	33 60 75	240 74
Total Quebec .....					1,514 08
<i>Nova Scotia.</i>					
Pictou .....	Collector Porteous, for his proportion of Seizure No. 32 .....				2 17
do .....	Officer Campbell	do	do	32 2 17	2 17
do .....	Wm. Smith	do	do	32 2 17	2 17
Total Nova Scotia. ....					6 51

RECAPITULATION.

Ontario .....	\$1,360 17
Quebec .....	1,514 08
Nova Scotia .....	6 51
Total .....	\$2,880 76

A. BRUNEL,  
Commissioner.

INLAND REVENUE DEPARTMENT,  
OTTAWA, 22nd October, 1878.

APPENDIX B.—Continued.

No. 7.—DETAILS of Departmental Expenditure.

To whom Paid.	Service.	Deducted for Superannuation.	Amount Paid.	Total.
		\$ cts.	\$ cts.	\$ cts.
<b>SALARIES.</b>				
Cauchon, Hon. J. E.....	From 1st July, 1877, to 7th October, 1878.....	.....	1,881 66	
Laurier, Hon. W.....	From 8th Oct., 1877, to 30th June, 1878.....	.....	5,118 34	
Brunel, A.....	From 1st July, 1877, to 30th June, 1878.....	64 00	3,136 00	
Miull, E., jun.....	do do.....	48 00	2,352 00	
Robins, P. M.....	do do.....	33 00	1,617 00	
Measam, F.....	do do.....	28 00	1,372 00	
Himsworth, Wm, jun.....	do do.....	26 50	1,298 50	
Heron, W. L.....	do do.....	26 50	1,298 50	
Campeau, F. R. E.....	do do.....	26 00	1,274 00	
Nettle, R.....	do do.....	20 00	980 00	
Graham, A.....	do do.....	20 00	980 00	
Stewart, N.....	do do.....	19 50	955 50	
Teakles, B. H.....	do do.....	19 00	931 00	
Blatch, F. K.....	do do.....	18 50	906 50	
Carter, William.....	do do.....	18 00	882 00	
Valin, J. E.....	do do.....	16 50	808 50	
LaMothe, H. G.....	From 1st Feb., 1878, to 30th June, 1878.....	.....	250 00	
Shaw, J. F.....	From 1st July, 1877, to 30th June, 1878.....	12 50	612 50	
Chubbuck, C. E.....	do do.....	8 16	554 34	
<i>Weights and Measures Branch.</i>				
Johnstone, W. J.....	do do.....	32 00	1,568 00	
Brunel, J.....	do do.....	9 44	565 56	
<i>Messengers.</i>				
Fowler, J.....	do do.....	6 25	493 75	
Fowler, George.....	do do.....	6 25	493 75	
Archambault, R.....	do do.....	5 62	444 38	
Total Salaries.....		463 72		30,773 78
<b>CONTINGENCIES.</b>				
Hall, C. R.....	Services as Extra Clerk, for the year.....		730 00	
Brunel, George.....	do do.....		724 00	
Devliu, R.....	do do.....		730 00	
Lusignan, A.....	do do.....		1,695 00	
LaMothe, H. G.....	Services as Extra Clerk, from February to July.....		333 30	
Doyon, J. A.....	do do for June.....		90 00	
Valin, J. E.....	Extra work, taking stock of blank forms, &c.....		35 00	
Fowler, George.....	do do do.....		35 00	
do	Gratuity.....		50 00	
Brunel, John.....	do.....		50 00	
Lusignan, A.....	Translating and proof reading.....		69 25	
Archambault, R.....	Extra services.....		42 00	
Digby Courier.....	Subscription.....		1 33	
Toronto Grip.....	do.....		3 51	
do Fortnightly Review.....	do.....		5 00	
do Globe.....	do.....		15 75	
do Evening Telegram.....	do.....		5 00	
do Mail.....	do.....		6 00	

APPENDIX B.—No. 7.—DETAILS of Departmental Expenditure—Continued

To whom Paid.	Service.	Amount Paid.	Total.
		\$ cts	\$ cts.
Toronto Observer.....	Subscription.....	2 00	
Sorel Gazette.....	do .....	6 35	
Brantford Expositor.....	do .....	5 00	
Journal de Québec.....	do .....	14 87	
New York Tribune.....	do .....	9 50	
do Herald.....	do .....	10 20	
Quebec Evènement.....	do .....	12 00	
Walkerton Telescope.....	do .....	3 00	
Quebec Chronicle.....	do .....	6 00	
Ottawa Free Press.....	do .....	18 00	
Acadian Recorder.....	do .....	5 00	
Dundas Herald.....	do .....	1 50	
Sherbrooke News.....	do .....	2 00	
do Progrès.....	do .....	2 00	
Montreal Gazette.....	do .....	12 00	
do Herald.....	do .....	24 00	
do Witness.....	do .....	6 00	
do Minerve.....	do .....	6 00	
do National.....	do .....	18 00	
Quebec Eclairer.....	do .....	6 90	
do Budget & Telegraph.....	do .....	17 00	
St. Jchn News.....	do .....	5 00	
do Telegraph.....	do .....	6 00	
St. Andrews Standard..	do .....	2 50	
Mainland Guardian.....	do .....	5 00	
British Colonist.....	do .....	11 25	
do Whig.....	do .....	6 00	
Ingersoll Chronicle....	do .....	4 00	
St. Hyacinthe Union.....	do .....	1 50	
Trenton Courier.....	do .....	1 50	
Cape Breton Times.....	do .....	3 50	
Revue de Montréal.....	do .....	3 00	
Religious Intelligencer..	do .....	1 20	
Yarmouth Herald.....	do .....	2 00	
Collingwood Bulletin...	do .....	1 50	
Barrie Gazette.....	do .....	1 50	
Charlottetown Herald...	do .....	5 00	
Brockville Recorder.....	do .....	4 00	
Carleton Sentinel.....	do .....	6 00	
Limouski Nouvelliste...	do .....	1 60	
Guelph Mercury.....	do .....	2 00	
Ottawa Federal.....	do .....	9 00	
Halifax Chronicle.....	do .....	6 00	
Arcona Advocate.....	do .....	1 80	
Perth Courier.....	do .....	1 50	
Winnipeg Free Press....	do .....	2 50	
Napanee Express.....	do .....	1 50	
Hamilton Times.....	do .....	6 00	
do Spectator.....	do .....	12 00	
Canadian Mechanics Magazine.....	do .....	4 00	
Lovell Printing Co.....	Montreal Directory.....	2 50	
Woodburn, A. S.....	Ottawa do .....	8 00	
Might & Taylor.....	Toronto do .....	2 50	
Campeau, F. R. E.....	Quebec do .....	3 00	
Tapson, W. H.....	Maps of Provinces.....	4 50	
Walker & Miles.....	do Ontario and Quebec.....	12 00	
Miles & Co.....	do do .....	5 00	
McMillan, J. & A.....	Maps.....	2 56	
Beldon H. & Co.....	Atlases.....	24 00	
Ridgway, Wm.....	Stationery, books, &c.....	106 20	
Stationery Office.....	do .....	583 41	

APPENDIX B.—No. 7.—DETAILS of Departmental Expenditure—*Concluded.*

To whom Paid.	Service.	Amount Paid.		Total.	
		\$	cts.	\$	cts.
Mortimer, A.....	Books, paper file, &c.....	39	95		
Hope, Jas. & Co.....	Stationery.....	9	68		
Anderson, Elliott.....	Books.....	2	00		
Durie & Son.....	Stationery.....	61	51		
McLean, Roger & Co.....	Hansard.....	2	00		
Macfarlane, S. A.....	Senate Hansard.....	5	00		
Pierce, G. S.....	Commercial Circulars.....	1	00		
Richardson, H. W.....	Thermometer and barometer.....	2	00		
Perry, Sanford & Co.....	Bismuth pens.....	15	00		
Queen's Printer.....	Printing.....	612	37		
Bureau, A.....	do.....	9	50		
Lemieux, J. E.....	Portraits of Governor and Lady.....	3	50		
Cauchon, Hon. J. E.....	Travelling expenses.....	200	00		
David, L. O.....	do.....	20	00		
Laurier, Hon. W.....	For his Private Secretary.....	188	34		
Cauchon, Hon. J. E.....	do.....	161	66		
Smith & Stewart.....	Advertisement.....	20	00		
Montreal Telegraph Co.	Messages.....	327	64		
Dominion do.....	do.....	224	71		
Lyonnais, F.....	Clock repairing.....	1	50		
Goyer, D.....	do.....	2	50		
Ste. Marie, P. C.....	Spittoons.....	12	00		
Graves Bros.....	Letter-box.....	2	75		
Canadian Express Co.....	Expressage.....	100	27		
DeGuise, A.....	Ice.....	10	00		
Post Office Department.	Postage.....	254	56		
Gaulin, L. E.....	Cab hire.....	52	50		
Roy, E.....	do.....	1	50		
Ouellet, G.....	do.....	1	50		
Aubuchon, —.....	do.....	1	80		
Ricard, G.....	do.....	3	50		
Champagne, —.....	do.....	1	60		
Villeneuve, J.....	do.....	1	00		
Ottawa River Naviga- tion Co.....	Freight.....	0	50		
Meadows & Co.....	Locks.....	0	75		
Mrs. Keegan.....	Washing towels.....	48	00		
Holbrook, G. M.....	Bag for Minister.....	2	50		
Metcalfe, Jos.....	Towels.....	1	20		
A. Christie & Co.....	Hair-brushes, oil and soap.....	6	00		
James Hope & Co.....	Scissors.....	2	50		
Hay, Geo.....	Rules, brackets, &c.....	1	96		
Vincent, Jos.....	Books.....	1	00		
C. S. Shaw & Co.....	Tumblers.....	1	00		
Brennan, H. H.....	Wax-candles, soap, whisks, &c.....	5	72		
Pritchard & Mingard.....	Repairing stamp, &c.....	1	15		
Esmonde, J. R.....	Tap for filter.....	1	00		
Fowler, G.....	For cartage, to sundry persons.....	13	25		
do.....	For cab hire do.....	5	10		
do.....	For Christmas box, to expressmen and telegraph boys.....	5	00		
do.....	For sundries, to sundry persons.....	7	45		
Ashfield, Jas.....	Tumblers and crockery.....	1	75		
	Total Contingencies.....				7,538 15
	Grand Total, per Statement 17, page 34.....				38,311 93

INLAND REVENUE DEPARTMENT,  
OTTAWA, 22nd October, 1878.

A. BRUNEL,  
Commissioner.

APPENDIX B.—Continued.

No. 8.—DETAILS of Sundry Minor Expenditures.

To whom Paid.	Service.	Deducted for Superannuation.	Amount Paid.	Total.
		\$ cts.	\$ cts.	\$ cts.
<i>Bill Stamps.</i>				
British American Bank Note Co.....	Printing Bill Stamps.....			1,750 00
<i>Minor Public Works.</i>				
Quain, J.....	Salary as Collector of Union Suspension Bridge Tolls.....	16 04	783 96	
L'Original News.....	Advertising for Ferry between Thurso and Clarence.....		3 40	
Ottawa Herald.....	do do.....		29 90	
Ottawa Federal.....	do do.....		19 00	836 26
<i>Inspection of Staples.</i>				
Cape Breton Advocate.....	Advertising meeting of Board of Examiners.....		1 25	
North Sydney Herald.....	do do.....		1 50	
Patterson, W. J.....	Expenses in connection with selecting, purchasing and distributing flour samples.....		408 00	
Butler, Wm.....	Travelling expenses in connection with the examination of applicants for the position of Inspector of Fish and Fish Oils.....		18 00	
Nicholson, S.....	do do.....		18 00	
Christie, J.....	do do.....		18 00	
Moore, W. H.....	do do.....		10 80	
Gilles, A.....	do do.....		6 00	
Rigby, G.....	do do.....		28 00	
Black, C. R.....	Expenses in re the investigation into the alleged charges against Mr. Hawkins, Inspector of hides and leather.....		65 00	
Myers, Robert.....	Expenses in connection with the examination of Inspectors of Hides and Leather.....		6 75	
Bellemare, R.....	Freight and cartage, re-distribution of flour samples.....		79 75	
Belleville Ontario.....	Advertising appointment of Board of Examiners ...		23 64	
Belleville Intelligencer.....	Advertising inspection of hides.....		10 92	
Quebec Evènement.....	Advertising meeting of Board of Examiners at Gaspé.....		3 20	
Quebec Chronicle.....	do do.....		8 10	
Pickup, S.....	Expenses of Board of Examiners, Annapolis, N.S.....		68 00	
Muir, James.....	Expenses of Board of Examiners, Port Elgin, Ont.....		31 00	
Flynn, E.....	Expenses of Board of Examiners at Percé, Que.....		138 60	
Stratford Beacon.....	Advertising meeting of Board of Examiners.....		3 90	
			948 41	
	Less—Sale of old flour samples.....		58 60	
	Total Inspection of Staples.....			889 81
<i>Adulteration of Food.</i>				
Wilson, Wm.....	Translation.....		4 00	
Browne, D.....	Purchase of samples for analysis.....		48 74	
Fortier, J. E.....	do do.....		3 35	
Taylor, Chas.....	do do.....		11 10	
LaRue, G.....	do do.....		18 41	
Morrow, John.....	do do.....		12 10	

APPENDIX B.—No. 8.—DETAILS of Sundry Minor Expenditures—*Concluded.*

To whom Paid.	Service.	Amount Paid.	Total.
<i>Adulteration of Food—Concluded.</i>		\$ cts.	\$ cts.
Edwards, J. B.....	Fees for analysis.....	1,674 00	
do .....	Allowance under the Act for retaining fee, to 30th June, 1878.....	200 00	
do .....	Allowance under the Act for rent, to 30th June, 1878.....	100 00	
Fraser, R. G.....	Fees for analysis.....	1,260 00	
do .....	Allowance under the Act for retaining fee, to 30th June, 1878.....	200 00	
do .....	Allowance under the Act for rent, to 30th June, 1878.....	100 00	
LaRue, F. A. H.....	Fees for analysis.....	1,074 00	
do .....	Allowance under the Act for retaining fee, to 30th June, 1878.....	200 00	
do .....	Allowance under the Act for rent, to 30th June, 1878.....	100 00	
Ellis, W. H.....	Fees for analysis.....	641 00	
do .....	Allowance under the Act for retaining fee, to 30th June, 1878.....	200 00	
do .....	Allowance under the Act for rent, to 30th June, 1878.....	100 00	
Total Adulteration of Food .....			5,946 70
ADD—Printing .....			255 32
Actual Disbursements, agreeing with Statement 11 $\frac{1}{2}$ , page 19.....			9,678 09

A. BRUNEL,  
*Commissioner*

INLAND REVENUE DEPARTMENT,  
OTTAWA, 22nd October, 1878.

APPENDIX B.—Continued.

No. 9.—DETAILS o Weights and Measures Expenditure.

To whom Paid.	Service.	Deducted for Superannuation.	Amount Paid	Total
		\$ cts.	\$ cts.	\$ cts.
<i>Algoma.</i>				
Carney, Wm.....	Salary as Deputy Inspector, for the year..	6 32	493 68	677 69
	Contingencies.....		184 01	
<i>Brant.</i>				
Allan, John.....	Salary as Deputy Inspector, for the year..	6 32	493 68	700 02
	Contingencies.....		206 34	
<i>Brockville.</i>				
Carruthers, Samuel.....	Salary as Deputy Inspector, for the year..	12 00	588 00	893 09
	Contingencies.....		305 09	
<i>Bruce.</i>				
Stevens, C. B.....	Salary as Deputy Inspector, for the year..	6 32	493 68	1,128 38
	Contingencies.....		634 70	
<i>Dundas.</i>				
Loucks, E. F.....	Salary as Deputy Inspector, for the year..	6 32	493 68	704 29
	Contingencies.....		210 61	
<i>Durham.</i>				
Randall, P. R.....	Salary as Deputy Inspector, from 1st July, 1877, to 31st March, 1878.....	4 68	370 26	705 27
Randall, C. F.....	Salary as Deputy Inspector, from 1st of April to 30th June, 1878.....	1 64	123 42	
	Salaries.....	6 32	493 68	
	Contingencies.....		211 59	
<i>Elgin.</i>				
Campbell, John.....	Salary as Deputy Inspector, for the year..	6 43	493 68	934 18
	Contingencies.....		440 50	
<i>Essex.</i>				
	Contingencies.....			172 40
<i>Glengarry.</i>				
McRae, Finlay.....	Salary as Deputy Inspector, for the year..	6 32	493 68	683 64
	Contingencies.....		189 96	
<i>Grey.</i>				
Campbell, Duncan.....	Salary as Deputy Inspector, for the year..		493 68	716 53
	Contingencies.....		222 85	

APPENDI B.—No. 9.—Details of Weights and Measures Expenditure.—  
*Continued.*

To whom Paid.	Service.	Deducted for Superannuation.	Amount Paid.	total.
		\$ cts.	\$ cts.	\$ cts.
	<i>Halton.</i>			
Smith, Thomas.....	Salary as Deputy Inspector, for the year..	6 32	493 68	
	Contingencies .....		146 00	639 68
	<i>Hamilton.</i>			
Sheppard, Henry.....	Salary as Deputy Inspector, for the year..	14 08	685 92	
Murphy, Michael.....	do do .....	14 08	685 92	
Rymal, Jacob.....	do do .....	6 32	493 68	
	Salaries .....	34 48	1,865 52	
	Contingencies .....		491 12	2,356 64
	<i>Hastings.</i>			
Macdonell, J. P. ....	Salary as Deputy Inspector, for the year..	12 00	588 00	
	Contingencies .....		161 25	749 25
	<i>Huron.</i>			
Morrow, Chas.....	Salary as Deputy Inspector, for the year..	12 00	588 00	
	Contingencies .....		74 25	662 25
	<i>Kent.</i>			
Watts, John.....	Salary as Deputy Inspector, for the year..	6 32	493 68	
	Contingencies .....		174 24	667 92
	<i>Kingston.</i>			
Baxter, W. L.....	Salary as Deputy Inspector, for the year..	14 08	685 92	
	Contingencies .....		143 93	829 85
	<i>Lambton.</i>			
McLean, Wm.....	Salary as Deputy Inspector, for the year..	6 32	493 68	
	Contingencies.....		302 34	796 02
	<i>Lanark.</i>			
Manning, J. W.....	Salary as Deputy Inspector, for the year..	6 32	493 68	
	Contingencies.....		328 44	822 12
	<i>Lennox.</i>			
Sills, Geo. W. B.....	Salary as Deputy Inspector, for the year..	6 32	493 68	
	Contingencies.....		389 95	883 63
	<i>London.</i>			
Spettigue, J. J.....	Salary as Deputy Inspector, for the year..	18 40	898 59	
	Contingencies.....		131 19	1,029 78



APPENDIX B.—No. 9.—Details of Weights and Measures Expenditure.—  
Continued.

To whom Paid.	Service.	Deducted for Superannuation.	Amount Paid.	Total.
		\$ cts.	\$ cts.	\$ cts.
	<i>Middlesex.</i>			
Campbell, James.....	Salary as Deputy Inspector, for the year..	6 32	493 68	751 38
	Contingencies.....		257 70	
	<i>Muskoka.</i>			
Sharpe, James.....	Salary as Deputy Inspector, for the year..	6 32	493 68	641 76
	Contingencies.....		148 08	
	<i>Niagara.</i>			
Winchester, L. D.....	Salary as Deputy Inspector, for the year..	13 00	588 00	767 09
	Contingencies.....		179 09	
	<i>Norfolk.</i>			
Slaght, T. R.....	Salary as Deputy Inspector, to 12th March, 1878.....	3 84	303 91	693 97
Roberts, Wm.....	Salary as Deputy Inspector, from 13th March, to 30th June, 1878.....	1 96	148 63	
	Salaries.....	5 80	452 54	
	Contingencies.....		241 43	
	<i>Northumberland.</i>			
Willoughby, J. H.....	Salary as Deputy Inspector, for the year ..	6 32	493 68	642 08
	Contingencies.....		148 40	
	<i>Ontario.</i>			
Forman, T. C.....	Salary as Deputy Inspector, for the year..	12 00	588 00	719 73
	Contingencies.....		131 73	
	<i>Ottawa.</i>			
Lapierre, E. A.....	Salary as Deputy Inspector, for the year ..	20 08	979 92	1,318 83
	Contingencies.....		338 91	
	<i>Oxford.</i>			
Hotson, Geo.....	Salary as Deputy Inspector, for the year ..	12 00	588 00	939 15
	Contingencies ..		351 15	
	<i>Peterborough.</i>			
Hall, F. W.....	Salary as Deputy Inspector, for the year ..	6 32	493 68	618 28
	Contingencies ..		124 60	
	<i>Prince Edward.</i>			
Boyle, Robt. ....	Salary as Deputy Inspector, for the year..	6 32	493 68	667 82
	Contingencies ..		174 14	

APPENDIX B.—No. 9.—Details of Weights and Measures Expenditure.—  
*Continued.*

To whom Paid.	Service.	Deducted for Superannuation.	Amounts Paid.	Total.
		\$ cts.	\$ cts.	\$ cts.
	<i>Renfrew.</i>			
Stewart, James.....	Salary as Deputy Inspector, for the year ..	6 32	493 68	590 58
	Contingencies.....		96 90	
	<i>Simcoe.</i>			
Laird, W. H.....	Salary as Deputy Inspector, for the year ..	12 00	588 00	665 35
	Contingencies.....		77 35	
	<i>Stratford.</i>			
Pierson W. J.....	Salary as Deputy Inspector, from 1st to 31st July, 1877.....	0 52	41 14	925 37
Gould, J. H.....	Salary as Deputy Inspector, from 7th Sep- tember, 1877, to 30th June, 1878.....	5 18	403 17	
	Salaries.....	5 70	444 31	
	Contingencies.....		481 06	
	<i>Toronto.</i>			
Wingfield, J. M.....	Salary as Deputy Inspector, for the year..	18 00	882 00	1,592 92
Berkinshaw, Thos.....	do do ..	14 08	685 92	
	Salaries.....	32 08	1,567 92	
	Contingencies .....		25 00	
	<i>Victoria.</i>			
Silverwood, W. A.....	Salary as Deputy Inspector, for the year..	6 32	493 68	593 93
	Contingencies .....		100 25	
	<i>Waterloo.</i>			
Macdougall, John .....	Salary as Deputy Inspector, for the year..	12 00	588 00	954 01
	Contingencies .....		366 01	
	<i>Welland.</i>			
Davis, A. A .....	Salary as Deputy Inspector, for the year..	6 32	493 68	665 74
	Contingencies .....		172 06	
	<i>Wellington.</i>			
Swinford, H. H... ..	Salary as Deputy Inspector, for the year..	12 00	588 00	1,038 95
	Contingencies .....		450 95	
	<i>York.</i>			
McCutcheon, H.....	Salary as Deputy Inspector, for the year..	12 00	588 00	874 65
	Contingencies.....		286 65	

APPENDIX B.—No. 9.—Details of Weights and Measures Expenditure.—  
Continued.

To whom Paid.	Service.	Deducted for Superannuation.	Amount Paid.	Total.
		\$ cts.	\$ cts	\$ cts.
	<i>Beauce.</i>			
Mercier, J. B.....	Salary as Deputy Inspector, for the year..	6 32	493 68	
	Contingencies .....		50 00	543 68
	<i>Beauharnois.</i>			
DeWitt, C. B .....	Salary as Deputy Inspector, for the year..	6 32	493 68	
	Contingencies .....		166 56	660 24
	<i>Bellechasse.</i>			
Lamontange, Frs.....	Salary as Deputy Inspector, for the year ..	6 32	493 68	
	Contingencies .....		49 50	543 18
	<i>Berthier.</i>			
Contu, Alfred.....	Salary as Deputy Inspector, for the year..	6 32	493 68	
	Contingencies .....		105 24	598 92
	<i>Chambly.</i>			
Lamoureux, E.....	Salary as Deputy Inspector, for the year..	6 32	493 68	
	Contingencies .....		157 50	651 18
	<i>Champlain.</i>			
Cinq-Mars, H. A.....	Salary as Deputy Inspector, for the year..	6 32	493 68	
	Contingencies .....		93 69	587 37
	<i>Drummond.</i>			
Pacaud, T. N.....	Salary as Deputy Inspector, for the year..	6 32	493 68	
	Contingencies .....		123 81	617 49
	<i>Gaspé.</i>			
Michaud, G.....	Salary as Deputy Inspector, for the year..	6 32	493 68	
	Contingencies .....		422 70	916 38
	<i>Hull.</i>			
Lynch, Patrick .....	Salary as Deputy Inspector, for the year..	6 32	493 68	
Berthiaume, T.....	do do from 20th July, 1877, to 30th June, 1878.....	6 00	468 46	
	Salaries .....	12 32	962 14	
	Contingencies .....		411 36	1,373 50
	<i>Iberville.</i>			
Lanier, J. M .....	Salary as Deputy Inspector, for the year..	6 32	493 68	
	Contingencies .....		176 05	669 73

APPENDIX B.—No. 9.—Details of Weights and Measures Expenditure—*Continued.*

To whom Paid.	Service.	Deducted for Superannuation	Amount Paid.	Total.
		\$ cts.	\$ cts.	\$ cts.
<i>Joliette.</i>				
Desrochers, J. L. B.....	Salary as Deputy Inspector, for the year..	8 44	491 51	606 91
	Contingencies .....		115 40	
<i>Kamouraska.</i>				
Chamberland, J. O. ....	Salary as Deputy Inspector, for the year..	6 32	493 68	658 28
	Contingencies .....		164 60	
<i>Labrador.</i>				
Grenier, Nap .....	Salary as Deputy Inspector, for the year ..	6 32	.....	493 68
<i>Laval.</i>				
Lalonde, Hector. ....	Salary as Deputy Inspector, from 1st to 14th July, 1877 .....	0 23	18 58	306 22
Daoust Bénoni .....	do Deputy Inspector, from 25th Feb. to 30th June, 1878.....	2 23	170 44	
	Salaries .....	2 46	189 02	
	Contingencies .....		117 20	
<i>Lévis.</i>				
Lévesque, A. ....	Salary as Deputy Inspector, for the year ..	6 32	493 68	614 17
	Contingencies .....		120 49	
<i>Lotbinière.</i>				
De St. George, H. Q. ....	Salary as Deputy Inspector, for the year ..	6 32	493 68	628 98
	Contingencies .....		135 30	
<i>Montreal.</i>				
Roy, L. N. F. ....	Salary as Deputy Inspector, for the year ..	15 96	783 96	2,735 36
Quinn, S. J. ....	do do do .....	14 04	685 92	
Lyons, Daniel .....	do do do .....	14 04	685 92	
Fauteux, Ovide .....	do Deputy Inspector, from 1st to 31st July, 1877.....	1 17	57 16	
Dagenais, A. ....	do Deputy Inspector, from 27th March to 30th June, 1878.....	3 69	180 70	
	Salaries .....	48 90	2,393 66	
	Contingencies .....		341 70	
<i>Missisquoi.</i>				
Haskell, B. A. ....	Salary as Deputy Inspector, for the year ..	6 32	493 68	592 18
	Contingencies .....		98 50	

APPENDIX B.—No. 9.—Details of Weights and Measures Expenditure—  
*Continued.*

To whom Paid.	Service.	Deducted for Superannuation.	Amount Paid.	Total.
		\$ cts.	\$ cts.	\$ cts.
<i>Montmagny.</i>				
Nadeau, Noël.....	Salary as Deputy Inspector, for the year..	6 32	493 68	543 68
	Contingencies .....		50 06	
<i>Montmorency.</i>				
Larue, Telesphore.....	Salary as Deputy Inspector, for the year..	6 32	493 68	671 28
	Contingencies .....		177 60	
<i>Quebec.</i>				
Dubord, Edmond .....	Salary as Deputy Inspector, for the year..	13 97	686 04	1,841 12
Grégoire, J .....	do do do .....	18 00	882 00	
	Salaries .....	31 97	1,568 04	
	Contingencies .....		273 08	
<i>Richelieu.</i>				
Blais, M. C.....	Salary as Deputy Inspector, for the year..	6 32	493 68	768 06
	Contingencies .....		274 38	
<i>Rimouski.</i>				
Ouellet, Didier.....	Salary as Deputy Inspector, for the year..	6 32	493 68	625 18
	Contingencies .....		131 50	
<i>Saguenay.</i>				
Simard, Henry.....	Salary as Deputy Inspector, for the year..	6 32	493 68	723 05
	Contingencies .....		229 37	
<i>Sherbrooke.</i>				
Pennoyer, H. J... ..	Salary as Deputy Inspector, for the year..	12 00	588 00	769 35
	Contingencies .....		181 35	
<i>St. Hyacinthe.</i>				
Desrivières, F. L... ..	Salary as Deputy Inspector, for the year..	6 32	493 68	582 17
	Contingencies .....		88 49	
<i>Terrebonne.</i>				
Lamb, Thomas.....	Salary as Deputy Inspector, for the year..	6 32	493 68	564 93
	Contingencies .....		71 25	
<i>Three Rivers.</i>				
	Contingencies .....			626 91

APPENDIX B.—No. 9.—Details of Weights and Measures Expenditure.—  
*Continued.*

To whom Paid.	Service.	Deducted for Superannuation.	Amount Paid.	Total.
		\$ cts.	\$ cts.	\$ cts.
	<i>Fredericton.</i>			
Freeze, E. C.....	Salary as Deputy Inspector, for the year..	6 32	493 68	
	Contingencies.....		123 15	616 83
	<i>Kings, N.B.</i>			
Slipp, W. O.....	Salary as Deputy Inspector, for the year..	6 32	493 68	
	Contingencies.....		74 34	568 02
	<i>Moncton.</i>			
Carter, John T.....	Salary as Deputy Inspector, for the year..	6 32	493 68	
	Contingencies.....		61 84	555 52
	<i>Northumberland.</i>			
Cutler, R. B.....	Salary as Deputy Inspector, to 31st May, 1878.....	5 72	452 54	
	Contingencies.....		54 90	507 44
	<i>Restigouche.</i>			
Blanchard, T.....	Salary as Deputy Inspector, for the year..	6 32	493 68	
	Contingencies.....		105 00	598 68
	<i>St. John, N.B.</i>			
Macfarlane, James.....	Salary as Deputy Inspector, for the year..	20 08	979 92	
	Contingencies.....		971 39	1,951 31
	<i>Woodstock.</i>			
Dibblee, Wm.....	Salary as Deputy Inspector, for the year..	9 42	490 58	
	Contingencies.....		259 36	749 94
	<i>Annapolis.</i>			
Tupper, E. E.....	Salary as Deputy Inspector, for the year..	6 32	493 68	
	Contingencies.....		126 54	620 22
	<i>Cape Breton.</i>			
Tremaine, Lewis E.....	Salary as Deputy Inspector, for the year..	6 32	493 68	
	Contingencies.....		154 23	647 91
	<i>Colchester.</i>			
McKay, Alex.....	Salary as Deputy Inspector, for the year..	6 32	493 68	
	Contingencies.....		329 70	823 38

APPENDIX B.—No. 9.—Details of Weights and Measures Expenditure.—  
Continued.

To whom Paid.	Service.	Deducted for Superannuation.		Amount Paid.	Total.
		\$	cts.	\$	cts.
<i>Guysboro'.</i>					
Maguire, A. J. O.....	Salary as Deputy Inspector, for the year..	6	32	493	68
	Contingencies.....			218	65
					712 33
<i>Halifax.</i>					
Pryor, James.....	Salary as Deputy Inspector, for the year..	20	08	979	92
	Contingencies.....			253	65
					1,233 57
<i>Hants.</i>					
Kerr, Sam. G.....	Salary as Deputy Inspector, for the year..	6	32	493	68
					493 68
<i>Inverness.</i>					
Grant, Peter.....	Salary as Deputy Inspector, for the year..	6	32	493	68
	Contingencies.....			331	84
					825 52
<i>Lunenburg.</i>					
Hendry, Israël.....	Salary as Deputy Inspector, for the year..	6	32	493	68
	Contingencies.....			193	87
					687 55
<i>Pictou.</i>					
	Contingencies.....				598 42
<i>Yarmouth.</i>					
LeCain, J. M.....	Salary as Deputy Inspector, for the year..	6	32	493	68
	Contingencies .....			468	49
					962 17
<i>Manitoba.</i>					
Huggard, R. T.....	Salary as Deputy Inspector, from 9th July, 1877, to 30th June, 1878.....	15	70	767	09
	Contingencies .....			77	50
					844 59
<i>Kings, P.E.I.</i>					
McDonald, A. J.....	Salary as Deputy Inspector, from 20th September, 1877, to 30th June, 1878...	4	95	385	34
	Contingencies .....			186	83
					572 17
<i>Prince.</i>					
Gunn, Peter.....	Salary as Deputy Inspector, from 12th April, to 30th June, 1878.....	1	37	108	31
	Contingencies .....			46	85
					155 16

APPENDIX B.—No. 9.—Details of Weights and Measures Expenditure—  
Continued.

To whom Paid.	Service.	Deducted for Superannuation.	Amount Paid.	Total.
	<i>Queens.</i>	\$ cts.	\$ cts.	\$ cts.
Ferguson, A.....	Salary as Deputy Inspector, from 23rd October, 1877, to 30th June, 1878.....	4 39	341 06	
	Contingencies .....		362 31	703 37
District Inspectors.....	Province of Ontario.....			243 43
do .....	do Quebec.....			19 13
	<i>General Contingencies.</i>			
Brunel, A.....	Salary as Commissioner of Standards.....	16 00	784 00	
Collector of Customs...	Duties on barometers.....		13 48	
Canadian Express Co ...	Expressage.....		352 52	
Aust, E.....	71 days work as Carpenter. ....		142 00	
Fleck, A.....	504 50lb weights.....		778 00	
Wilson, Wm.....	Translation.....		8 00	
Fréchette, A.....	do .....		4 80	
McDonald, Thos.....	One set imperial measures.....		7 50	
Nash, S. O. ....	Fitting up office at Charlottetown. ....		30 96	
Fowler, John.....	Extra services.....		180 00	
Macfarlane, James.....	Fitting up office at St. John.....		73 86	
Gurneys & Ware.....	One union scale and stereotype cut. ....		20 00	
Pace, Henry.....	Repairing imperial yard measure.....		10 35	
Martel, L.....	Fitting up new rooms, Quebec.....		56 80	
Cox, Geo.....	Wood-cuts for Commissioner's Report.....		7 75	
Burland, G. B.....	Weights and measures stamps and cheque books.....		408 01	
Johnstone, W. J.....	Travelling and other expenses on tour of inspection.....		588 40	
Kerr, S. G.....	Furniture for Hart's Division.....		40 00	
St. Lawrence & Ottawa Railway.....	Freight.....		39 85	
Oertling, L.....	Portable kits and grain weights.....		1,738 00	
Troughton & Simms.....	For standards .....		1,066 84	
Heney & Co.....	12 Russet boxes for weights.....		12 00	
Pritchard & Mingard.....	One dating stamp .....		10 00	
Gunn, P.....	Freight on portable kit for Summerside Division.....		2 80	
Wright, A. P.....	Travelling and other expenses in connection with fitting up weights and measures offices in Lower Provinces .....		89 46	
Goyer, D.....	Repairing instruments .....		1 50	
A. Christie & Co.....	Chemicals .....		4 57	
Fowler, Geo.....	For cartage, to sundry persons.....		5 80	
do .....	For labour do .....		1 50	
do .....	Sundries do .....		0 88	
			6,476 63	
	Less—Received for samples of stamps.....		2 25	
	Total General Contingencies.....			6,474 38
	Total .....			76,092 12



APPENDIX B.—No. 9.—Details of Weights and Measures Expenditure.—  
*Continued.*

		Amount Paid.	Total.
		cts.	\$ cts.
	ADD—Printing.....	1,343 66	
	Stationery.....	149 01	1,492 67
	Authorized Disbursements (less Superannuation).....		77,584 79
	ADD—Due by sundry persons, 30th June, 1878.....		4,022 13
	LESS—Due by sundry persons, 1st July, 1877.....		81,606 92
	Actual Disbursements, agreeing with Statement 21, Page 42.....		419 77
			81,187 15

A. BRUNEL,  
*Commissioner.*

INLAND REVENUE DEPARTMENT,  
OTTAWA, 22nd October, 1878.

APPENDIX B.—Continued.

No. 10.—DETAILS of Gas Inspection Expenditure.

To whom Paid.	Service.	Deducted for Superannuation	Amount Paid.	Total.
		\$ cts.	\$ cts.	\$ cts.
	<i>Brantford.</i>			
	Contingencies .....			77 30
	<i>Cobourg.</i>			
	Contingencies....			1 57
	<i>Hamilton.</i>			
McPhe, D.....	For services.....		783 30	
	Contingencies.....		165 50	948 80
	<i>Ottawa.</i>			
	Contingencies.....			62 30
	<i>Port Hope.</i>			
Sands, A.....	For services.....			889 23
	<i>Toronto.</i>			
Sutherland, G.....	For services.....		1,145 12	
	Contingencies.....		309 44	1,454 56
	<i>Montreal.</i>			
Aubin, N.....	Salary as Inspector, for the year.....	28 04	1,371 96	
	Contingencies .....		213 45	1,585 41
	<i>Quebec.</i>			
Lafrance, C. J. L.....	Salary as Inspector, for the year.....	20 08	979 92	
	Contingencies .....		316 71	1,296 63
	<i>St. Hyacinthe.</i>			
	Contingencies.....			25 00
	<i>Fredericton.</i>			
	Contingencies..			98 88
	<i>Newcastle, N.B.</i>			
	Contingencies .....			90 00

## APPENDIX B.—No. 10.—Details of Gas Inspection Expenditure.—Continued.

To whom Paid.	Service.	Deducted for Superannuation.	Amount Paid.	Total.
	<i>St. John.</i>	\$ cts.	\$ cts.	\$ cts.
Rowan, A.....	For services .....		749 97	1,150 95
	Contingencies.....		400 98	
	<i>Halifax.</i>			
Miller, A.....	For services.....		1,333 31	1,560 82
	Contingencies.....		227 51	
	<i>Pictou.</i>			
Hepburn, James.....	Salary as Inspector, for the year.....	3 72	296 28	440 46
	Contingencies.....		144 18	
	<i>Charlottetown.</i>			
Knight, Joseph.....	Salary as Inspector, from 12th May to 30th June, 1878.....	0 34	27 06	90 91
	Contingencies.....		63 85	
	<i>General Contingencies.</i>			
Aubin, N.....	Salary as Consulting Inspector.....	12 00	588 00	
Leslie, John.....	Repairing gas clocks.....		7 50	
Lymans, Clare, & Co.....	Chemicals and sealing wax.....		40 50	
Wright, A. P.....	For services during the year.....		1,200 00	
Griffin, J. T.....	To pay freight on gas standards for Chat- ham and Newcastle, N.B., offices.....		27 85	
Nash, S. O.....	To pay for fitting up office at Charlotte- town.....		70 29	
St. Lawrence & Ottawa Railway Co.....	Freight.....		8 68	
Hay, Geo.....	Tools for workshop.....		10 50	
Hepburn, Jas.....	To pay freight on standards and fitting up Pictou office.....		81 20	
Good, H. B.....	To pay storage on gas standards.....		25 92	
Miller, A.....	To pay for fitting up Halifax office.....		243 99	
do.....	do Pictou do.....		26 00	
do.....	do St. John do.....		20 00	
Rowan, A.....	do do do.....		382 83	
do.....	do Fredericton office.....		20 72	
do.....	do Pictou do.....		65 46	
Morin, L. E.....	Storage on gas standards, Montreal.....		42 75	
Martel, L.....	Fitting up new rooms in Quebec.....		56 80	
Rhodes, H., & Co.....	Storage on gas standards, Victoria.....		15 70	
Findlay & Durham.....	do do do.....		12 72	
Yelland, H.....	Cleaning Departmental standards.....		8 00	
Morrison, Jas.....	Brass cocks, tubes, &c.....		5 75	
Canadian Express Co.....	Expressage.....		7 30	
Hegan, J. J., & Co.....	Fitting up St. John office.....		33 37	

## APPENDIX B.—No. 10.—Details of Gas Inspection Expenditure.—Continued.

To whom Paid.	Service.	Amount Paid.	Total.
	<i>General Contingencies—Concluded.</i>	\$ cts.	\$ cts.
Hay, R., & Co.....	Furniture for sundry offices.....	53 25	
Blyth & Kerr.....	Brass fittings, &c, for sundry offices.....	57 19	
Wright, A., & Co.....	Standards.....	335 58	
Wright, A. P.....	Travelling expenses on tour of inspection and sundry payments for fittings for sundry offices.....	1,134 38	
	Total.....	4,582 23	
	Less—Overpayment of freight, refunded..	12 08	
	Total, General Contingencies.....		4,570 15
	Total.....		14,342 97
	Add—Printing.....	57 45	
	Stationery.....	27 22	
			84 67
	Actual Disbursements, agree- ing with Statement 22, Page 44.....		14,427 64

A. BRUNEL,  
Commissioner.

INLAND REVENUE DEPARTMENT,  
OTTAWA, 22nd October, 1878.

APPENDIX B.—Continued.

No. 11.—Weights and Measures—Special Account.

	Dr.	Cr.
	\$ cts.	\$ cts.
By amount to debit of Commissioner of Standards, at 1st July, 1877.....	.....	2,388 07
To travelling expenses of Commissioner to Europe, and disbursements on account of Standards equipment.....	2,250 00	
To Amount deposited to credit of Receiver-General.....	138 07	
	2,388 07	2,388 07

A. BRUNEL,  
*Commissioner.*

INLAND REVENUE DEPARTMENT,  
OTTAWA, 22nd October, 1878

---

---

APPENDIX C.

---

HYDRAULIC AND OTHER RENTS.

---

---

APPEN

DR.

HYDRAULIC and other Rents, &c.—

Balance due on 1st July, 1877.		Accrued, year ended 30th June, 1878.		Total.	Name of Work.	Present Occupant.	Original Lessee.
\$	cts.	\$	cts.	\$	cts.		
6,988	35	397	33	7,395	68	Chaudière Falls. Perley, Pattie & Brown.....	Perley, Pattie & Brown
1,120	00	80	00	1,200	00	do do do do do do	do do do do do do
4,636	00	376	00	5,012	00	do do J. R. Booth.....	Lyman Perkins.....
4,573	83	294	94	4,868	77	do do McKay & Co.....	Philip Thompson.....
1,480	00	80	00	1,560	00	do do Oliver & Son.....	J. & J. Petrie.....
1,520	00	80	00	1,600	00	do do P. H. & L. R. Church.....	S. Washburne.....
4,440	00	240	00	4,680	00	Victoria Island. Levi Young.....	N. S. Blaisdell & Co...
1,480	00	80	00	1,560	00	do do J. M. Currier.....	do do do do
8,640	03	480	00	9,120	00	do do Harris, Bronson & Co.....	do do do do
20	00	8	00	28	00	Ottawa River. Mary Conroy.....	L. M. Coutlee.....
100	00	40	00	140	00	do do D. Carmichael.....	.....
300	00	20	00	320	00	do do John Rankin.....	.....
.....	.....	180	00	180	00	Chaudière Slides J. R. O'Connor.....	.....
10	00	10	00	20	00	do do Bronson & Weston.....	.....
.....	.....	200	00	200	00	Victoria Island. Levi Young.....	.....
.....	.....	100	00	100	00	do do Bronson, Weston & Young.....	.....
.....	.....	50	00	50	00	Ottawa River. Hon. Jas. Skead.....	.....
150	00	50	00	200	00	do do John Rochester.....	.....
.....	.....	20	00	20	00	do do George Sterling.....	.....
.....	.....	.....	.....	.....	.....	Chaudière Falls. A. H. Baldwin.....	Perley, Pattie & Brown
1	00	1	00	2	00	Ottawa River. Hector Pruneau.....	.....
.....	.....	24	00	24	00	do do Hon. James Skead.....	.....
.....	.....	32	00	32	00	do do John Morrison.....	.....
35,469	18	2,843	27	38,312	45		
.....	.....	3	00	3	00	Rideau Canal. Benjamin Tett.....	.....
.....	.....	3	00	3	00	do do Thomas May.....	.....
.....	.....	2	00	2	00	do do Henry James.....	.....
8	25	8	25	16	50	do do Philip Kennedy.....	.....
540	00	360	00	900	00	do do Edward Smith.....	.....
11	25	11	25	22	50	do do Thomas Paget.....	.....
25	00	50	00	75	00	do do Hon. John Hamilton.....	.....
9	75	9	75	19	50	do do George Morris.....	.....
52	50	105	00	157	50	do do Hewson & Hughes.....	James C. Foster.....
.....	.....	2	25	2	25	do do D. Cameron.....	.....
80	50	161	00	241	50	do do Wm. Anglin.....	.....
.....	.....	3	75	3	75	do do Geo. Richey.....	.....
1,067	00	60	00	1,127	00	do do James Shaw.....	.....
9	75	3	75	13	50	do do Daniel Delaney.....	.....
261	00	18	00	279	00	do do Hiram Easton.....	.....
.....	.....	8	25	8	25	do do Wm. Powell.....	.....
270	00	60	00	330	00	do do Cornelius Vanluven.....	.....

## DIX C.

## Lessees' Accounts, 1877-78.

CR.

Description of Property.	Date to which the Account is made up.	Abatements for year ended 30th June, 1878.		Paid during Fiscal Year.	Balance due 30th June, 1878.	Total.	
		\$	cts.				\$
A.—North Chaudière Street—Service Ground							
B.C.—do do	June 30, 1878				7,395 68	7,395 68	
D.—Saw Mill do	do 30, 1878				1,200 00	1,200 00	
E.F.G.—Service Mill	do 30, 1878				5,012 00	5,012 00	
H.I.J.—Grist Mill, South Head Street	April 1, 1878				4,868 77	4,868 77	
K.—Fanning Mill do	May 1, 1878				1,560 00	1,560 00	
L.—Service Ground do	do 1, 1878				1,600 00	1,600 00	
Q.R.T.—Service Ground, North Middle Street	April 1, 1878				4,680 00	4,680 00	
S.—Foundry, North Middle Street	do 1, 1878				1,560 00	1,560 00	
U.V.X.Y.Z.—Service Ground	do 1, 1878				9,120 00	9,120 00	
Small Island, Du Chêne Rapids	Jan. 1, 1878			20 00	8 00	28 00	
Water Lot, Calumet Island	June 30, 1878				140 00	140 00	
East portion of Hawley's Island	do 30, 1878				320 00	320 00	
Workshops, &c., three acres	Sept. 1, 1878				180 00	180 00	
Bridge over Slides	June 30, 1878			10 00	10 00	20 00	
Two strips of land	Dec. 31, 1878			200 00		200 00	
Strip of land, Amelia Island	Jan. 1, 1879			100 00		100 00	
Water Lots, opposite Lot No. 30, Concession A, Nepean	Dec. 1, 1879				50 00	50 00	
Two strips of Lot No. 39, Concession A, Nepean	Sept. 8, 1878				200 00	200 00	
Strip of Ordnance Property, foot of Major's Hill, Ottawa	Dec. 30, 1878			20 00		20 00	
M.N.O.P.—Service Ground, $\frac{1}{2}$ acre							
Ordnance Property, Cathcart Street, Ottawa	May 1, 1879			1 00	1 60	2 00	
Three small Islands opposite Lot No. 33, Concession A, Nepean	May 1, 1879				24 00	24 00	
Part of Lot No. 9, 1st Range of Chatham				8 00	24 00	32 00	
				359 00	37,953 45	38,312 45	
Land, Isthmus, Lock Station	April 1, 1878			3 00		3 00	
Reserve in front of South $\frac{1}{2}$ Lot 23, Rideau Front	Dec. 31, 1878			3 00		3 00	
Reserve in front of sub-lot No. 5, Concession B, Rideau Front	do			2 00		2 00	
Reserve in front of South $\frac{1}{2}$ Lot 6, 2nd Concession, Township of Nepean	do			8 25	8 25	16 50	
Water power, Kingston Mills	June 30, 1878				900 00	900 00	
Reserve in front of North $\frac{1}{2}$ Lot 4, 2nd Concession, Nepean	Dec 31, 1878				22 50	22 50	
Mill Lot No. 9, Long Island	June 30, 1878			25 00	50 00	75 00	
Reserve in front of South $\frac{1}{2}$ Lot 5, 2nd Concession, Nepean	Dec. 31, 1878				19 50	19 50	
Water power, Brewer's Lower Mills	June 30, 1878			105 00	62 50	157 50	
Reserve in front of North $\frac{1}{2}$ Lot 22, Township of Gloucester	Dec. 31, 1878			2 25		2 25	
Water power, Brewer's Upper Mills	June 30, 1878			161 00	80 50	241 50	
Reserve in front of Lot No. 1, 2nd Concession, Nepean	Dec. 1, 1878			3 75		3 75	
Water Lot, Edwards' Mill Lock	June 30, 1878				1,127 00	1,127 00	
Reserve in front of South $\frac{1}{2}$ Lot No. 8, 2nd Concession, Nepean	Dec. 1, 1878				13 50	13 50	
Ground to pile wood, Merrickville	June 30, 1878				279 00	279 00	
Reserve in front of Lot No. 5, 2nd Concession, Nicholl's Island	Dec. 31, 1878			8 25		8 25	
Water Lot at Johnston's Lock, Davis Station	June 30, 1878				330 00	330 00	



APPENDIX

HYDRAULIC and other Rents, &c.,

Balance due (on 1st July, 1877.		Accrued, year ended 30th June, 1878.		Total.	Name of Work.	Present Occupant.	Original Lessee.
\$	cts.	\$	cts.				
		10 00		10 00	Rideau Canal—		
		25 00		25 00	Continued.....	Stafford Merryfield.....	
		7 50		7 50	do	St. Lawrence & Ottawa R'y.	
					do	John Blair.....	
160 00				160 00	do	J. McLaren & Co.....	Heirs of J. McKay.....
5 00		5 00		10 00	do	Alfred Chester.....	
3,060 00		120 00		3,180 00	do	R. Ward.....	Joshua Bates.....
10 00		10 00		20 00	do	Jessie Miner.....	
260 00		20 00		280 00	do	E. H. Whitmarsh.....	
14 00		1 00		15 00	do	B. & T. Cook.....	R. Andrews.....
24 00				24 00	do	Hiram Easton.....	
0 80		0 20		1 00	do	A. R. Ward.....	
		25 00		25 00	do	M. K. Dickinson.....	
		1 00		1 00	do	John Graham.....	
		1 00		1 00	do	John Heney.....	
		13 50		13 50	do	Mrs. Hannah Patterson.....	
8 25		8 25		16 50	do	Michael Kilroe.....	
22 50		22 50		45 00	do	William Dawson.....	
6 00		12 00		18 00	do	Robt. E. Hardy.....	
		1 00		1 00	do	R. W. Baxter.....	
		1 00		1 00	do	Henry Jackson.....	
9 00		9 00		18 00	do	Thomas O'Neil.....	
		2 00		2 00	do	George May.....	
11 25		11 25		22 50	do	Charles McCaffrey.....	
		8 00		8 00	do	Timothy & Patrick Collins..	
		2 00		2 00	do	Henry Hartney.....	
		2 00		2 00	do	Widow Andrew Howlett....	
		3 00		3 00	do	John Burgess.....	
		3 00		3 00	do	William Rowland.....	
		50 00		50 00	do	John Branigan.....	
		3 00		3 00	do	Francis Abbot.....	
		2 00		2 00	do	Thomas Kingston.....	
		17 50		17 50	do	Temporal Committee, St. Andrews Church.....	
		2 00		2 00	do	Andrew Hickey.....	
		1 00		1 00	do	L. Duhamel.....	
		1 00		1 00	do	W. J. Webster.....	
		60 00		60 00	do	G. W. McCullough.....	
5,925 80		1,329 95		7,255 75			

C.—Continued.

Lessees' Accounts, 1877-78.

Description of Property.	Date to which the Account is made up.	Abatement for the year ended 30th June, 1878.	Paid during Fiscal Year.		Balance due 30th June, 1878.		Total.		
			\$	cts.	\$	cts.	\$	cts.	
Lot No. 4, Concession 1, Township of Oxford..	June 30, 1878		10	00			10	00	
Right of Way and Lots 8 and 9, Dow's Swamp	Dec. 31, 1878		25	00			25	00	
Reserve in front of North ½ Lot No. 9, 2nd Concession, Nicholl's Island.....	do 1, 1878				7	50	7	50	
Piling Ground, Green Island.....	do 31, 1878		80	00	80	00	160	00	
Part of Lot No. 3, Concession B, Township of Wolford.....	June 30, 1878		5	00	5	00	10	00	
Water Lot, A B, Old Sly Station.....	May 1, 1878				3,180	00	3,180	00	
Part of Lot No. 2, Concession B, Township of Wolford.....	June 30, 1878		10	00	10	00	20	00	
Ornamental Grounds, Merrickville.....	May 1, 1878				280	00	280	00	
Lot No. 2, Concession A, Nicholson's Island...	Dec. 31, 1878				15	00	15	00	
Ground to pile wood, Merrickville.....	do		12	00	12	00	24	00	
Part of Lot No. 1, 4th Concession, Smith's Falls	June 30, 1878				1	00	1	00	
Lots Nos. 11, 12, 13 and 14, Sappers Bridge, Ottawa.....	Dec. 22, 1877					25	00	25	00
Reserve in front of ½ Lot G, Concession G, Nepean, Rideau Front.....				1	00			1	00
Reserve at Deep Cut, Ottawa.....	Sept. 1, 1878			1	00			1	00
Reserve in front of South ½ Lot G, Concession C, Nepean.....	Dec. 31, 1878		13	50			13	50	
Reserve in front of North ½ Lot No. 8, 1st and 2nd Concession, Nepean.....	do		16	50			16	50	
Reserve in front of Lot No. 3, 2nd Concession, Nepean.....	do				45	00	45	00	
Reserve at Black Rapids, part of Lots No. 22 and 23, Concession A, Nepean.....	do				18	00	18	00	
Reserve in front of Lot G, Concession C, Nepean.....	do			1	00			1	00
Reserve in front of Lot B, Stewart Property, Nepean.....	do			1	00			1	00
Part of Lot I, Concession B, Nepean.....	do			9	00	9	00	18	00
Wharf Privilege, front of sub-Lots 29 and 30, Lot K, Concession B, Nepean.....	do			2	00			2	00
Reserve in front of South ½ Lot No. 4, 2nd Concession, Nepean.....				11	25	11	25	22	50
Reserve on Lot No. 9, 1st Concession, Gloucester.....	June 1, 1878		4	00	4	00	8	00	
Reserve fronting sub-Lot Nos. 64 and 65, Dow's Swamp.....	do				2	00	2	00	
Reserve, part of Lot No. 40, Concession 1, Nepean.....	July 1, 1878			2	00			2	00
do do do	Sept. 1, 1878				3	00		3	00
Reserve on Lot N, Concession B, Nepean.....	Oct. 1, 1878			3	00			3	00
do Lots Nos. 35 and 36, Concession 1, Kingston.....	Aug. 1, 1878				50	00		50	00
Reserve on Lot No. 46, Concession 1, Nepean.....	Nov. 1, 1878			3	00			3	00
do Lot F, Concession C, Nepean.....	do			2	00			2	00
Reserve on both sides of Canal, on Lot H, Concession C, Nepean.....	Jan. 1, 1879.		17	50			17	50	
Reserve on Lot G, Concession C, Nepean.....	Dec. 1, 1878.		2	00			2	00	
do Lot E, Concession B, Nepean.....	Jan. 1, 1879.		1	00			1	00	
do Lot No. 1, 5th Concession, Crosby.....	May 1, 1879.		1	00			1	00	
100 x 76 feet on S.W. side Canal Basin, Ottawa	June 1, 1879.				60	00		60	00
			555	25	6,700	50	7,255	75	

APPENDIX

HYDRAULIC and other Rents, &c.—

Balance due on 1st July, 1877.	Accrued, year ended 30th June, 1877.	Total	Name of Work.	Present Occupant.	Original Lessee.
\$ cts.	\$ cts.	\$ cts.			
246 00	246 00	492 00	Williamsburg Canal...	William Gibson .....	Benj. Chaffey.....
140 00	140 00	280 00	do .....	Bailey & Mills .....	William Elliott.....
140 00	140 00	280 00	do .....	J. Cameron.....	J. Molson, jun.....
2,720 00	160 00	2,880 00	do .....	W. T. Benson.....	Benson & Aspden.....
1,540 00	140 00	1,680 00	do .....	George Stephen.....	Philip Carmen .....
88 00	44 00	132 00	do .....	Patrick Walsh .....	John Walsh .....
36 00	6 00	36 00	do .....	Lawrence Byrne.....	Wm. S. Aiken .....
36 00	12 00	48 00	do .....	W. T. Benson.....	.....
20 00	20 00	40 00	do .....	N. M. Davy .....	Wm. Bailey.....
48 00	24 00	72 00	do .....	J. H. Ross .....	W. S. Aiken .....
7 00	1 00	8 00	do .....	Trustees School Section No. 4.....	.....
.....	5 00	5 00	do .....	Wm. Clegg.....	.....
5,015 00	938 00	5,953 00			
630 00	240 00	920 00	Cornwall Canal..	Andrew Hodge.....	H. Elliott.....
60 00	120 00	180 00	do .....	Angus Bethune.....	John Harvie.....
1,050 00	300 00	1,350 00	do .....	J. & C. H. Wood .....	B. G. French .....
67 50	135 00	202 50	do .....	George Stephen.....	P. Vankoughnet .....
.....	120 00	120 00	do .....	P. B. Adams.....	H. Caldwell .....
20 00	20 00	40 00	do .....	Henry Harrison.....	.....
20 00	20 00	40 00	do .....	Louis Derousie .....	.....
.....	.....	.....	do .....	Mrs. Tait.....	Peter Tait.....
1,897 50	955 00	2,852 50			
60 00	.....	60 00	Beauharnois Canal.....	Owen Lynch.....	.....
100 00	.....	100 00	do .....	D. Papineau .....	D B Pease.....
260 00	.....	260 00	do .....	Wm. Rodden .....	.....
40 00	20 00	60 00	do .....	J. Demers .....	J. Larocque .....
80 00	20 00	100 00	do .....	St. Amour & Co.....	.....
20 00	20 00	40 00	do .....	J. Demers & Co.....	.....
90 00	.....	90 00	do .....	Owen Lynch .....	.....
358 50	717 00	1,075 50	do .....	Alex. Buntin .....	.....
60 00	120 00	180 00	do .....	do .....	Stephen May.....
120 00	120 00	240 00	do .....	Alex. Anderson.....	Pierre Poitras .....
120 00	120 00	240 00	do .....	Anderson & Wattie.....	.....
120 00	120 00	240 00	do .....	J. Meloche .....	.....
.....	.....	.....	do .....	Montreal Cotton Co.....	.....
1 0 00	40 00	160 00	do .....	Valleyfield Peat Coal Co.....	.....
70 00	35 00	105 00	do .....	Lake St. Frances Navigation Co.....	.....
.....	23 00	23 00	do .....	R. N. Walsh.....	.....
1,618 50	1,355 00	2,973 50			

## C.—Continued.

## Lessees' Accounts, 1877-78.—Continued.

Description of Property.	Date to which the Account is made up.	Abatement for year ended 30th June, 1878.	Paid during Fiscal Year.	Balance due, 30th June, 1877.		Total.
				\$ cts.	\$ cts.	
Grist Mill, Mill street, Williamsburg.....	June 1, 1879..		246 00	246 00	492 00	
do Matilda Lock, Rapide Plat.....	do .....		140 00	140 00	280 00	
do do do .....	do .....		140 00	140 00	280 00	
Starch Factory, part of Lot No. 5, Edwardsburg.....	do .....			2,880 00	2,880 00	
Surplus water for Tannery, Edwardsburg.....	do .....			1,680 00	1,680 00	
Water Lot, Rapide Plat .....	do .....			132 00	132 00	
Wharf Lot, Gallops Canal.....	do .....		24 00	12 00	36 00	
Pasture Ground do .....	do .....		36 00	12 00	48 00	
Wharf Lot, Basin Lock No. 5 .....	do .....		20 00	20 00	40 00	
do Point Iroquois.....	do .....		48 00	24 00	72 00	
School House, Matilda.....	do .....			8 00	8 00	
Lot at Gallops Canal, Edwardsburg.....	do .....		5 00		5 00	
			659 00	5,294 00	5,953 00	
Flour and Grist Mill, Lots 3 and 4, Cornwall.....	June 30, 1878 .....		500 00	420 00	920 00	
Flour and Grist Mill, Lot 6, South side.....	do .....		60 00	120 00	180 00	
Flour and Saw Mill, Lot 1, Lock 20.....	do .....			1,350 00	1,350 00	
Woollen Factory, Lot 7, below Cornwall.....	do .....		135 00	67 50	202 50	
Saw Mill do do .....	do .....		120 00		120 00	
Wharf Lot, Moulinette.....	May 1, 1878..		20 00	20 00	40 00	
do Milles Roches.....	do .....		20 00	20 00	40 00	
Wharf Lot on her own property, annual rent, \$20.....						
			855 00	1,997 50	2,852 50	
House and Sheds, St. Timothy, .....	May 1, 1878..	20 00		40 00	60 00	
Wharf Lot, St. Timothy.....	Jan. 1, 1864..			100 00	100 00	
do do .....	do .....			260 00	260 00	
do Big Basin, H.C .....	May 1, 1878..		20 00	40 00	60 00	
do do .....	do .....		20 00	80 00	100 00	
do inside do .....	do .....		20 00	20 00	40 00	
do do .....	Nov. 9, 1869 .....			90 00	90 00	
Paper Mill, Lots 1, 2, 3, and Building Lot.....	June 30, 1878 .....		717 00	358 50	1,075 50	
Grist Mill, Lot 5.....	do .....		120 00	60 00	180 00	
Saw Mill, Lot 1 and Building Lot, Valleyfield..	do .....	60 00	120 00	60 00	240 00	
Wooden Factory, Lot 2 and Building Lot, Valleyfield.....	do .....	60 00	120 00	60 00	240 00	
Flour Mill, Lot at Lock No. 7, Beauharnois.....	do .....			240 00	240 00	
Lots 3, 4, 5, 6 and 7 at the head of the Canal.....	do .....					
Wharf Lot, at upper entrance .....	May 1, 1878 .....			160 00	160 00	
Wharf and Shed, above Guard Lock.....	do .....		105 00		105 00	
Lot above Guard Lock, for Wharf and Store-House.....	Aug. 1, 1878 .....			23 00	23 00	
			140 00	1,242 00	1,591 50	
					2,973 50	

APPENDIX

DR.

HYDRAULIC and other Rents, &c.—

Balance due on 1st July, 1877.		Accrued, year ended 30th June, 1878.		Total.	Name of Work.	Present Occupant.	Original Lessee.
\$	cts.	\$	cts.	\$	cts.		
		430 00		430 00	Lachine Canal...	Pillow Hersey & Co. ....	Estate J. D. Bigelow and Wife.....
		430 00		430 00	do	Lyman Clare & Co.....	W. Lyman & Co.....
		430 00		430 00	do	Pillow, Hersey & Co.....	Holland & Dunn.....
		860 00		860 00	do	Montreal Warehousing Co.....	Grant & Hall & Co.....
		430 00		430 00	do	James McDougall.....	
110 00		650 00		760 00	do	Peck, Benny & Co.....	James Harvey.....
		1,680 00		1,680 00	do	Ira Gould & Son.....	Young & Gould.....
		40 00		40 00	do	St. Lawrence Navigation Co.....	
		75 00		75 00	do	Canadian Navigation Co.....	
280 00		20 00		300 00	do	Patrick Evers.....	
5 00		10 00		15 00	do	Mosely and Lewis.....	Mosely & Rickers.....
200 00				200 00	do	E. O. Lesperance.....	Estate J. Levey.....
32,643 00		2,418 00		35,061 00	do	Bartley, Peck & McDougall	W. Bartley.....
		40 00		40 00	do	Beauharnois Steam Navigation Co.....	Henry Shackell.....
		60 00		60 00	do	Montreal & Ottawa Forwarding Co.....	M. K. Dickinson.....
200 00		200 00		400 00	do	J. W. McGauvran.....	J. M. Carrier & Co.....
864 00		1,296 00		2,160 00	do	Estate of Ira Gould.....	Ira Gould.....
1,530 00		1,601 00		3,131 00	do	Estate of J. Frothingham.....	W. Parkyn.....
		1 00		1 00	do	Dominion Telegraph Co.....	
6,000 00		1,000 00		7,000 00	do	Grant & Leith.....	G. & W. Tait.....
196 00		392 00		588 00	do	Frothingham & Workman.....	
132 00		264 00		396 00	do	H. McLennan.....	Frothingham & Workman.....
		430 00		430 00	do	Peck, Benny & Co.....	Estate of J. Harvey.....
150 00		100 00		250 00	do	J. B. Auger & Co.....	Augustus Label.....
		700 00		700 00	do	Montreal Warehousing Co.....	
		10 00		10 00	do	Montreal Passenger Railway Co.....	
709 00				700 00	do		John Ostell.....
288 00				288 00	do		François Doré.....
2,896 67				2,896 67	do		Wm. Tait.....
		30 00		30 00	do	Lake St. Francis Navigation Co.....	
46,194 67		13,597 00		59,791 67			
200 00		50 00		250 00	Chambly Canal..	M. S. Willett.....	Willett & McPherson...
36 00		12 00		48 00	do	J. A. Maurice.....	
6 00				6 00	do	do	
100 00		100 00		200 00	do	J. C. Pierce & Son.....	
100 00				100 00	do	St. Johns Stone China Co.	
		100 00		100 00	do	Ottawa and Rideau Forwarding Co.....	
442 00		262 00		704 00			

C.—Continued.

Lessees' Accounts, 1877-78.—Continued.

CR.

Description of Property.	Date to which the Account is made up.	Abatement for the Year ended 30th June, 1878.	Paid during Fiscal Year.		Balance due 30th June, 1878.		Total.
			\$ cts.	\$ cts.	\$ cts.	\$ cts.	
Spike and Nail Factory, Lot 15.....	June 30, 1878	215 00	215 00			430 00	
Oil and Cement Factory, Lot 17.....	do .....	215 00	215 00			430 00	
Rolling Mill, Lot 16.....	do .....	215 00	215 00			430 00	
Flour Mill, Lots 18 and 19 .....	do .....	430 00	430 00			860 00	
Flour Mill, Lot 11.....	do .....	215 00	215 00			430 00	
Nail Factory and Rolling Mill, Lots No. 10 and East $\frac{1}{2}$ of 9 .....	April 1, 1878	215 00	435 00	110 00		760 00	
Water power, St. Gabriel Lock.....	June 30, 1878	840 00	840 00			1,680 00	
Ground for Freight shed, Basin No. 1.....	May 1, 1878		40 00			40 00	
Freight Shed, Basin No. 1 .....	do .....		75 00			75 00	
Farm Côte, St. Paul.....	June 30, 1878			300 00		300 00	
Three inch pipe, Grand Trunk crossing.....	Oct. 1, 1878	5 00	10 00			15 00	
Ground near Tait's Dock .....	Feb 15, 1878			200 00		200 00	
Furnishing shop Mills on Concession Lots $\frac{1}{2}$ of 2, also, 3, 4, 5, 6 and 7, Basin No. 2.....	June 30, 1878		8,155 00	26,906 00		35,061 00	
Freight Shed, Basin No 1 .....	May 1, 1878		40 00			40 00	
Freight Shed, Basin No. 1 .....	do .....		60 00			60 00	
Lot near St Gabriel's Locks.....	June 30, 1878			400 00		400 00	
Flour Mill, Lots 12, 13 and 14 .....	April 1, 1878	648 00	648 00	864 00		2,160 00	
Water power at Côte St. Paul's Locks.....	June 30, 1878	800 50	800 50	1,530 00		3,131 00	
Permission to erect an office on the Canal Bank	do .....		1 00			1 00	
Dry Dock and Shipyard Basin.....	do .....		500 00	6,500 00		7,000 00	
Warehouse and Coal Yard, Lot 1, Basin No. 2	do .....		392 00	196 00		588 00	
Grain Elevator and Dryer, $\frac{1}{2}$ Lot No. 2.....	do .....		264 00	132 00		396 00	
do do Lot No. 8.....	May, 1, 1878	215 00	215 00			430 00	
Marine Slip Island No. 5. ....	June 30, 1878		150 00	100 00		250 00	
Land on Basin No. 4.....	Aug. 1, 1878		700 00			700 00	
Track at South side Canal at Côte St. Paul....	June 30, 1878		10 00			10 00	
Lumber Basin Island .....	do 30, 1868			700 00		700 00	
Wharf and Land, Lachine.....	do 3, 1861			288 00		288 00	
Oak Lock, lower entrance.....	Feb. .. 1861			2,896 67		2,896 67	
Freight Shed on Basin No. 1.....	May 1, 1879		30 00			30 00	
		4,013 50	14,655 50	41,122 67		59,791 67	
Wharf, Lot and Store at Lock No. 4, Chambly	June 30, 1878		100 00	150 00		250 00	
Lot near upper entrance to Lock No. 7.....	do .....	43 00		5 00		48 00	
Land on the West side of Canal.....	May 1, 1878	3 50		2 50		6 00	
Wharf at St. Johns.....	June 30, 1878	50 00		150 00		200 00	
Ground at South end of Wharf entrance to Canal, St. Johns.....	do .....			100 00		100 00	
Wharf Lot at St. Johns. ....	do .....	100 00				100 00	
		196 50	100 00	407 50		704 00	

APPENDIX

DR.

HYDRAULIC and other Rents, &c.—

Balance due on 1st July, 1877.		Accrued, year ended 30th June, 1878.		Total.	Name of Work.	Present Occupant.	Original Lessee.
\$	cts.	\$	cts.	\$	cts.		
120 00				120 00	Trent River Works.....		E. W. Henderson.....
20 00		40 00		60 00	do .....	James Cummings.....	
10 50				10 50	do .....	M. B. Roblin.....	
150 50		40 00		190 50			
280 95		187 30		468 25	Welland Canal..	R. & J. Laurie.....	R. Laurie.....
480 00		240 00		720 00	do .....	S. Neelan .....	R. & J. Laurie.....
40 00		20 00		60 00	do .....	do .....	do .....
520 00		40 00		560 00	do .....	G. A. Clark.....	
130 00		20 00		150 00	do .....	do .....	
264 00		176 00		440 00	do .....	Alexander Muir.....	
600 00		100 00		700 00	do .....	Andrews & Son.....	Donaldson, Andrews & Ross.....
726 00		121 00		847 00	do .....	Donaldson, Andrews & Ross	
130 00		20 00		150 00	do .....	Geo. A. Clark.....	James Mavor.....
2,985 00		260 00		3,245 00	do .....	Tuttle, Date & Rodden.....	John L. Ranney.....
75 00		150 00		225 00	do .....	S. Neelan .....	Calvin Phelps.....
20 00		40 00		60 00	do .....	Norris & Neelan.....	do .....
1,132 30		87 10		1,219 40	do .....	W. H. Merritt, jun.....	
20 00		10 00		30 00	do .....	Michael Kerrins.....	
419 15		167 66		586 81	do .....	Gillespie & Simpson.....	R. Collier.....
280 00		140 00		420 00	do .....	Jas. Wilcox.....	Thos. Powers.....
800 00		160 00		960 00	do .....	King & Dolan.....	John Brown.....
1,991 00		181 00		2,172 00	do .....	W. B. Hendershot.....	
108 00		216 00		324 00	do .....	Gillespie & McLean.....	Wm. Beatty.....
31 80		63 60		95 40	do .....	McPherson & Weir.....	do .....
125 00		50 00		175 00	do .....	J. McDonagh.....	W. H. Ward.....
657 00		146 00		803 00	do .....	do .....	do .....
480 00		240 00		720 00	do .....	Gordon McKay.....	
20 00		20 00		40 00	do .....	John Brown.....	
40 00		80 00		120 00	do .....	do .....	
1,221 00		222 00		1,443 00	do .....	Peleg Howland.....	Jacob Keefer.....
910 00		130 00		1,040 00	do .....	Brown & Band.....	Brown & Ross.....
2,726 00		160 00		2,880 00	do .....	Woodward Estate.....	A. Christie.....
1,509 00		79 20		1,588 20	do .....	J. & J. Abbey.....	McFarland & Abbey.....
940 00				940 00	do .....	do .....	McFarland & Lemon.....
666 50		86 00		752 50	do .....	F. McMahon.....	McFarland & Donaldson.....
3,789 44		270 67		4,060 11	do .....	Norris & Neelan.....	Wright & Duncan.....
786 00		66 00		852 00	do .....	Dan. Williams.....	Wm. Pennock.....
20 00				20 00	do .....	P. H. Musson.....	
446 35		68 67		515 02	do .....	S. Beatty.....	Robert Band & Co.....
260 00		52 00		312 00	do .....	Jacob Crowe.....	Killens & Dockstaker.....
456 00		72 00		528 00	do .....	Phelps Bros.....	Dunlop & Seeley.....
160 00		20 00		180 00	do .....	Moses Betts.....	E. Seeley.....
320 00		37 34		357 34	do .....	D. Cooper.....	Seeley & Cook.....
		25 00		25 00	do .....	L. G. Carter.....	A. K. Scholfield.....
20 00				20 00	do .....	Welland Railway Co.....	
		25 00		25 00	do .....	J. & F. Conlin.....	John Gordon.....
160 02		53 34		213 36	do .....	Edward Lee.....	John Graybiel.....
532 30		47 67		579 97	do .....	L. McCallum.....	W. Melauby.....
510 00		60 00		570 00	do .....	Richard Chambers.....	H. & M. Davis.....

C. — Continued.

Lessees' Accounts, 1877-78.

CR.

Description of Property.	Date to which the Account is made up.	Abatements for year ended 30th June, 1878.	Paid during Fiscal Year.	Balance, due 30th, June, 1878.	Total.
	\$ cts.	\$ cts.	\$ cts.	\$ cts.	\$ cts.
Pumping Engine, Scogog Works.....	1861			120 00	120 00
Lot at Lock, Chisholm's Rapids.....	June 30, 1878		40 00	20 00	60 00
Surplus water, near Village of Frankfort.....	Dec. 31, 1877	10 50			10 50
		10 50	40 00	140 00	190 50
Grist Mill, Waste Weir No. 1.....	June 30, 1878		93 65	374 60	468 25
Merchant's Mill, Waste Weir No. 1.....	do		360 00	860 00	720 00
Lot of land, Waste Weir No. 1.....	do		30 00	30 00	0 00
Wharf Lot, Port Dalhousie, east side of piers.....	do			560 00	560 00
Woodyard, do do Lock No. 1.....	do			150 00	150 00
Docks at do near Lock No. 1.....	do		264 00	176 00	440 00
Dry Dock do part of Lock No. 1.....	do			700 00	700 00
Saw Mill do water for three saws, Waste Weir No. 1.....	do			847 00	847 00
Lot at Port Dalhousie near Lock No. 1.....	do			150 00	150 00
Union Mill do do No. 2.....	do			3,245 00	3,245 00
Merchant's Red Mill, Port Dalhousie, near Lock No. 4.....	do		150 00	75 00	225 00
Wharf Lot, Port Dalhousie, near Lock No. 4.....	do		40 00	20 00	60 00
Saw Mill, Allanburg.....	do	1,219 40			1,219 40
Lot at Lock No. 2.....	do		20 00	10 00	30 00
Saw Mill at Lock No. 5.....	do			586 81	586 81
Grist Mill at new Lock No. 10.....	do			420 00	420 00
Cement Mill and Stave Factory, Lock No. 15.....	do			960 00	960 00
Saw Mill opposite Lock No. 29.....	do			2,172 00	2,172 00
do Lock No. 21.....	do		108 00	216 00	324 00
Tannery, Lock No. 22.....	do		63 60	31 80	95 40
Factory, Lock No. 23.....	do			175 00	175 00
Saw Mill, Lock No. 23.....	do			803 00	803 00
Cotton Factory, Locks Nos. 12, 13 and 14.....	do			720 00	720 00
Wharf Lot and Storehouse, Lock No. 23.....	do		40 00		40 00
Plaster Mills, Lock No. 25.....	do			120 00	120 00
Grist Mills, Lock No. 24.....	do			1,443 00	1,443 00
Merchant's Mill, Lock No. 24.....	do			1,040 00	1,040 00
Grist Mill, Lock No. 25.....	do			2,880 00	2,880 00
Dry Dock, Port Robinson.....	do			1,588 20	1,588 20
Saw Mill do.....	do			940 00	940 00
Grist Mill do.....	do			752 50	752 50
do Allanburg.....	do			4,060 11	4,060 11
Shingle Factory, Allanburg.....	do			852 00	852 00
Grist Mill, Port Robinson.....	do		20 00		20 00
do do.....	do			515 02	515 02
Saw Mill, Merrittville.....	do			312 00	312 00
Grist Mill do.....	do			528 00	528 00
Storehouse and Wharf, Merrittville.....	do			180 00	180 00
Grist Mill, Merrittville.....	Jan. 31, 1878			357 34	357 34
Wharf Lot, Port Colborne.....	June 30, 1878		12 50	12 50	25 00
Second Elevator do.....	do		20 00		20 00
Woodyard do.....	do		25 00		25 00
Grist Mill, Marshville.....	do			213 36	213 36
Saw Mill, Broad Creek.....	do			579 97	579 97
Grist and Saw Mill, Dunnville.....	do			570 00	570 00



APPENDIX

DR.

HYDRAULIC and other Rents, &c.—

Balance due on list July, 1877.	Accrued, year ended 30th June, 1878.	Total.	Name of Work.	Present Occupant.	Original Lessee.
\$ cts.	\$ cts.	\$ cts.			
141 15		141 15	Welland Canal—		
			<i>Continued</i>	Hendershot Bros.	Eli Mead.
151 30		151 30	do	do	A. Sherwood
250 00	50 00	300 00	do	do	
158 88	28 89	187 77	do	S. & J. Haney	S. Darling
97 79	17 78	115 57	do	S. Walthe & Co.	L. J. Weatherly
273 26	25 78	299 04	do	Irvan & Duval	McIndoe & Gordon
392 90	46 22	439 12	do	M. A. Smith	Chisholm & Minor
3,454 93	237 34	3,692 27	do	John Oldfield & Co.	
2,640 00	160 00	2,800 00	do	Estate of D. Thompson	Park & Cowan
433 34	66 67	500 01	do	C. Johnson	George Scott
207 13	37 66	244 81	do	S. & J. Haney	Brown & Merritt, jun.
255 56	51 11	306 67	do	W. Scholfield	L. Brocklebank
140 00	20 00	160 00	do	John Fanning	
900 00	100 00	1,000 00	do	Cotton Warp Co.	Nutty & Woodward
250 00	500 00	750 00	do	St. Catharine's Water Power Co.	
1,800 00	300 00	2,100 00	do	Tucker & Rennie	
100 00	200 00	300 00	do	John Riorden	Welland Canal Loan Co.
60 00	120 00	180 00	do	Wm. Parnell	do
320 00	80 00	400 00	do	Arch. Dobbie	do
55 00	110 00	165 00	do	McPherson & Weir	Welland Canal Loan Co.
910 00	140 00	1,050 00	do	Welland Dry Dock Co.	
12 00	8 00	20 00	do	Donaldson Estate	John Donaldson
	20 00	20 00	do	St. Catharines Gas Light Co.	
1,190 00	140 00	1,330 00	do	Port Robinson Dry Dock	
69 00	12 00	72 00	do	Richard Millar	
81 25	1 00	96 25	do	A. Hendershot	
828 00		828 00	do	Imlac & Hicks	
1,200 00		1,200 00	do	Hugh Boomer	H. S. St. John & J. C. Street
125 00		125 00	do	John Hellens	
1,166 00		1,166 00	do	J. & A. Bowman	
4,601 00		4,601 00	do	Dunlop & Seeley	
200 00	100 00	300 00	do	Wm. Hutchinson	
20 00	10 00	30 00	do	John Taylor	
25 00	25 00	50 00	do	Alonzo Quackenbush	
	5 00	5 00	do	Corporation of Thorold	
50,281 32	7,037 00	57,318 32			
	100 00	100 00	Burlington Bay Canal	N. F. Birely	
	100 00	100 00	do	Bridget Perry	
	10 00	10 00	do	J. C. McKeand	
	25 00	25 00	St. Lawrence River	Richelieu & Ontario Naviga- tion Co.	
1 00	1 00	2 00	do	St. Lawrence Tow Boat Co.	
1 00	1 00	2 00	do	Dominion Telegraph Co.	
30 00		30 00	do	Montreal Telegraph Co.	

C.—Continued.

Lessees' Accounts, 1877-78—Continued.

Description of Property.	Date to which the Account is made up.	Abatement, for the year ended 30th June, 1878.	Paid during Fiscal Year.	Balance due 30th June, 1878.	Total.
Wharf Lot at Merrittville, part of Lots 25 and 26	Dec. 31, 1866			141 15	141 15
Wharf Lot at Merrittville	do 31, 1866			151 30	151 30
Two Wharf Lots at Merrittville	June 30, 1878			300 00	300 00
Grist Mill, Dunnville	do			187 77	187 77
Carding Machine, Dunnville	do			115 57	115 57
Saw Mills do	do			299 04	299 04
do do	do			439 12	439 12
do Haldimand	do			3,692 27	3,692 27
Merchants' Mill at Lock No. 24	do			2,800 00	2,800 00
Saw Mill, Dunnville	do			500 01	500 01
Plaster Mill do	do			244 81	244 81
Grist Mill, Haldimand	do			306 67	306 67
Ground near G. A. Clark's	do			160 00	160 00
Cotton Factory, Lock No. 24	do			1,000 00	1,000 00
Water Power at Locks 3 to 11	do		500 00	250 00	750 00
Old Saw and Grist Mill, Allanburg	do			2,100 00	2,100 00
Paper Factory at Lock No. 17	do			300 00	300 00
Planing Machine do No. 20	do			180 00	180 00
Machine Shop do No. 22	do		200 00	200 00	400 00
Machine Shop at Lock No. 23	do			165 00	165 00
Lot at Acqueduct, Welland	do			1,050 00	1,050 00
Store House, Port Robinson	do	8 00	8 00	4 00	20 00
Wharf Lot at Lock No. 3	do		20 00		20 00
Water to float Vessels, Port Robinson	do			1,330 00	1,330 00
Water supply at Lock No 25	do	72 00			72 00
Wharf Lot, Welland	do			96 25	96 25
Grist Mill, Port Maitland	do			828 00	828 00
do Dunnville	do			1,200 00	1,200 00
Wharf Lot at Junction Lock	do			125 00	125 00
Pail Factory, Allanburg	do			1,166 00	1,166 00
Saw Mill, Merrittville	do			4,601 00	4,601 00
Wharf Lot at east pier, Port Dalhousie	do		150 00	150 00	300 00
do Grand River, Dunnville	do			39 00	30 00
Pleasure Grounds, Port Dalhousie	do			50 00	50 00
Part of Lot No. 17, at Lock No. 21	do		5 00		5 00
		1,299 40	2,129 75	53,880 17	57,318 32
Part of Reserve on Beach	Dec. 31, 1878		100 00		100 00
do do	do		100 00		100 00
do do	do		10 00		10 00
Roadway from pier to Coteau Landing	June 30, 1878		25 00		25 00
Office at Rivière du Loup				2 00	2 00
Permission to erect a pole at St. Anne's Lock	May 1, 1879		2 00		2 00
do do Recollet Bridge,					
Rivière des Prairies	do		30 00		30 00

APPENDIX

HYDRAULIC and other Rents, &c.—

Balance due on 1st July, 1877.	Accrued, year ended 30th June, 1878.	Total.	Name of Work.	Present Occupant.	Original Lessee.
\$ cts.	\$ cts.	\$ cts.			
3 00	3 00	6 00	St. Lawrence River.....	Dominion Telegraph Co.....	
.....	1 00	1 00	do .....	D. Moore & Co. ....	
.....	149 00	149 00	British Columbia	Henry Holbrook.. ..	
.....	125 00	125 00	do .....	A. Peele .....	
.....	36 00	36 00	do .....	Jonathan Money.....	
.....	60 00	60 00	do .....	J. Kinsonan.....	
.....	120 00	120 00	do .....	E. Dickenson .....	
35 00	731 00	766 00			

## C.—Continued.

## Lessees' Accounts, 1877-78.—Continued.

Description of Property.	Date to which the Account is made up.	Abatement for Year ended 30th June, 1878.	Paid during Fiscal Year.	Balance due 30th June, 1878.	Total.
Permission to erect a pole at Recollet Bridge, Rivière des Prairies.....	May 1, 1878.....		6 00		6 00
Part of Reserve at mouth of Maitland River Goderich Harbour.....	July 1, 1878.....			1 00	1 00
Three sheds at the Camp and Cottage, New Westminster.....	June 30, 1878.....		115 50	33 50	149 00
Part of Assay Office, New Westminster.....	do.....		100 00	25 00	125 00
do do do.....	do.....		27 00	9 00	36 00
Government House and Lodge do.....	Dec. 31, 1877.....		60 00		60 00
do do do.....	June 30, 1878.....		90 00	30 00	120 00
			685 50	100 50	786 00

## APPENDIX

DR.

HYDRAULIC and other Rents, &amp;c.—

Balance due on Purchase, 1st July, 1877.	Accrued, year ended 30th June, 1878.	Total.	Name of Work.	Name of Proprietor.
\$ cts.	\$ cts.	\$ cts.		
<b>LAND SALES.—PRINCIPAL ACCOUNT.</b>				
2,536 87		2,536 87	Lachine Canal.....	Estate Philip Turcotte, now R. A. R. Hubert
433 34		433 34	Bonner's Rents, Quebec	Timothy Sullivan, now Michael Murphy.....
333 34		333 34	do do	John Bailey, now Alex. Powell.....
300 00		300 00	do do	Abraham Thompson.....
147 80		147 80	do do	John Boomer.....
248 40		248 40	do do	John Garbatz, now J. C. Nolan.....
154 80		154 80	do do	N. H. Bowen.....
600 00		600 00	do do	Estate Robert Reed.....
333 33		332 33	do do	Jean Chevalier.....
61 00		63 00	do do	Thomas McAdam.....
533 33		533 33	do do	Daniel Holden.....
333 33		333 33	do do	George Creeley.....
10,329 60		10,329 60	Great Cranberry Marsh.	Municipality County Welland.....
450 00		450 00	Whitby Harbour.....	Chester Draper.....
12,092 83		12,092 83	H. & P. D. Road.....	Choat & Kern (matured).....
16,987 50		16,987 50	Montreal.....	Harbour Commissioners of Montreal.....
	360 00	360 00	British Columbia.....	J. K. Sutor.....
315 00		315 00	Intercolonial Railway.....	John Nickerson.....
	1,278 70	1,278 70	Rideau Canal.....	Temporal Committee, St. Andrew's Church, Ottawa.....
46,192 47	1,638 70	47,831 17		
<b>LAND SALES.—INTEREST ACCOUNT.</b>				
1,785 45	152 22	1,937 67	Lachine Canal.....	Estate P. Turcotte, now R. A. R. Hubert....
480 00	26 00	506 00	Bonner's Rents, Quebec	Timothy Sullivan, now M. Murphy.....
120 00	20 00	140 00	do do	John Bailey, now A. Powell.....
90 00	18 00	108 00	do do	A. Thompson.....
48 78	8 87	57 65	do do	John Boomer.....
96 90	14 91	111 81	do do	John Garbatz, now J. C. Nolan.....
97 47	9 29	106 76	do do	N. H. Bowen.....
396 00	36 00	432 00	do do	Estate Robert Reed.....
190 00		190 00	do do	Jean Chevalier.....
298 63		298 63	do do	Daniel Holden.....
35 91		35 91	do do	Thomas McAdam.....
100 00		100 00	do do	George Creeley.....
100 00		100 00	do do	Joseph Brook (tenant).....
14,244 13	619 78	14,863 91	Great Cranberry Marsh.	Municipality County Welland.....
112 91	23 75	136 66	Whitby Harbour.....	Chester Draper.....
6,298 25		6,298 25	H. & P. D. Road.....	Choat & Kern.....
1,019 25	474 72	1,493 97	Montreal.....	Harbour Commissioners of Montreal.....
	83 5	88 20	British Columbia.....	J. K. Sutor.....
25,513 73	1,491 74	27,005 47		

INLAND REVENUE DEPARTMENT,

OTTAWA, 22nd October, 1878.

## C.—Concluded.

## Lessees' Accounts, 1877-78.—Concluded.

CR.

Description of Property.	Date to which the Account is made up.	Abatement, Year ended 30th June, 1878.	Paid during Fiscal Year.	Balance due, 30th June, 1878.		Total.
				\$	cts.	
Farm, Côte St. Paul.....				2,537	87	2,536 87
Lot No. 1, Wolfe Street.....				433	34	433 34
do 9 do.....				333	34	333 34
do 49 do.....				300	00	300 00
do 73 and 74, Tower Street.....				147	80	147 80
do 64, Wolfe Street, and 211 and 252, Ware Street.....				248	40	248 40
do 67 and 68, Monument Street.....				154	80	154 80
do 22 and 23, Wolfe Street.....				600	00	600 00
do 32 do.....				333	33	333 33
do 135, Church Street.....				63	00	63 00
do 65 and 66, Wolfe Street.....				533	33	533 33
do 31, Wolfe Street.....				333	33	333 33
Townships of Humberstone and Wainfleet Water Lot.....			2,000 00	8,329	60	10,329 60
Hamilton and Port Dover Road and Caledonia Bridge.....			450 00	12,092	83	12,092 83
Part of Lot No. 1, Common Street.....			16,987 50			16,987 50
½ Lot No. 5, Block XIV, New Westminster.....			360 00			360 00
Parcel of land in St. John, N.B.....			315 00			315 00
Three acres of land in Township of Nepean.....			1,278 70			1,278 70
			21,391 20	26,439	97	47,831 17
Farm, Côte St. Paul.....	May 1, 1878.....			1,937	67	1,937 67
Lot No. 1, Wolfe Street.....	do.....			506	00	506 00
do 9 do.....	do.....			140	00	140 00
do 49 do.....	do.....			108	00	108 00
do 73 and 74, Tower Street.....	do.....			57	65	57 65
do 64, Wolfe Street, and 211 and 252, Ware Street.....	do.....			111	81	111 81
do 67 and 68, Monument Street.....	do.....			106	76	106 76
do 22 and 23, Wolfe Street.....	do.....			432	00	432 00
do 32 do.....				190	00	190 00
do 65 and 66 do.....				298	68	298 68
do 135, Church Street.....				35	91	35 91
do 31, Wolfe Street.....				100	00	100 00
Monument Hotel.....				100	00	100 00
Townships of Humberstone and Wainfleet Water Lot.....			136 66	14,863	91	14,863 91
Hamilton and Port Dover Road and Caledonia Bridge.....				6,298	25	6,298 25
Part of Lot No. 1, Common Street.....			1,493 97			1,493 97
½ Lot No. 5, Block XIV, New Westminster.....			35 70	52	50	88 20
			1,666 33	25,339	14	27,005 47

A. BRUNEL,  
Commissioner.



## INDEX

	PAGE
Abbey, J. J.	244
Abbott, Francis,	238
<i>Acadian Recorder</i> ,	216
Adams, Capt.	31
Adams, G. S.	189
Adams, P. E.	240
Adams, R. C. & Co.	31, 32
Adulteration of Food	218
do	46
Aikens & Ward	31
Allan, J.	220
Alexander, T.	188
Anderson, Alex.	240
Anderson, Elliott	217
Anderson & Wattie,	240
Andrews & Son	244
Anglin, Wm.	236
Archambault, R.	215
do	215
Arcourt, E.	31
Armstrong, W. H.	190
<i>Arcona Advocate</i>	216
Arnold, Thos.	209
do	189
Arnot, A. D.	217
Ashfield, James	31, 31
Assignees of C. H. Baldwin & Co., Refund	194
Atherton, R.	231, 232
Aubin, N.	217
Aubuchon	242
Auger, J. B. & Co.	229
Aust, E.	198
Aylen, J.	191, 192
Baby, W. A. D.	240
Bailey & Mills	250
Bailey, John	236
Baldwin, A. H.	193
Barker, C.	201
Barrett, J.	188
Barrett, J. K.	216
Barrie <i>Gazette</i>	207
Barsalo, E.	242
Bartley, Peck & McDougall, Lessee	190
Battle, M.	238
Baxter, R. W.	221
Baxter, W. L.	193
Beauchamp, J. P.	244
Beatty, S.	242
Beauharnois Navigation Co., Lessee	205
Beaulieu, T.	207
Beaupré, Noël	207
Bédard, Jér.	209
Behan Bros.	193
Bélanger, C.	216
Beldon, H. & Co.	202
Bell, R.	203
Bell, Wm.	209
Belland, F. X.	208
Belland, J. E.	218
Bellemare, R.	196
do	208
Bellgrave, Chas.	208
do	208



## INDEX—Continued.

	Page
Bellerive, Geo.	209
Belleville <i>Intelligencer</i>	218
Belleville <i>Ontario</i>	218
Bennett, J.	191
Benson, J.	198
Benson, W. T.	240
Berger, N.	201
Bergeron, Joseph	206
Berkinsshaw, T.	223
Bernard, A.	197
Berthiaume, A. T.	224
Bethune, Angus	240
Bethune, James	198
Betts, Moses	241
Bill Stamps—Distributors' Account.	20
do Expenditure, Page 19. Details of.....	218
do Issued. Number and Denomination of.....	186
do Monthly Deposits.....	24
do Revenue.....	18
Bingay, T. V. B.	195
Birely, N. F.	246
Black, C. R.	218
Blair, John	238
Blair, J. B.	189
Blais, M. C.	226
Blanchard, L.	193
Blanchard, T.	227
Blatch, F. K.	215
Blyth & Kerr	233
Bogus, A.	209
Boivin, C. A.	193
Boomer, Hugh	246
Boomer, John	250
Booth, J. R.	236
Booth & Son	197
Borradaile, R.	196
do	197
Bourassa, G.	193
Bouteiller, T. P.	192
Bowen, N. H.	252, 252
Bowman, J. & A.	246
Boyle, R.	222
Branigan, John	238
Brantford <i>Expositor</i>	216
Brennan, H. H.	217
Brennan, J.	201
Brenner, O. E.	31
Bridges	15
Brims, A.	30
British American Bank Note Co., Contingencies.....	215
<i>British Colonist</i>	216
<i>British Whig</i>	216
<i>Bröckville Recorder</i>	216
Bronson & Weston	286
Bronson, Weston & Young, Lessees	236
Brook, Joseph	250
Brossoit, T.	200
Brough, J. S.	190
Brougham, M. E.	191
Brousseau, G.	209
Brown & Band	244
Brown, John	244
Browne, D.	192
do	197, 218
do	212
Browne, G. W.	189
Bruee, G. A.	189
Brunel, A.	215, 229

## I N D E X—Continued.

	PAGE
Brunel, A. Contingencies.....	197
Brunel, G. do .....	215
Brunel, J. Salary .....	215
do Gratuity.....	215
Bulmer, W. Salary .....	193
Buntin, Alex. Lessee .....	240
Bureau, A. Contingencies .....	217
Burgess, John Lessee .....	238
Burland, G. B. Contingencies .....	197, 229
Burlington Bay Canal. See Tabular Index, Page vi.	
Bussière, F. Salary .....	200
do Refund.....	31
Butler, Wm. Contingencies .....	218
Butters, D. & Co. Refund .....	31
Butterworth & Co. Contingencies.....	204
Byrne, Lawrence Lessee .....	240
Cahill, J. H. Salary .....	193
do Seizures .....	214
Calcutt, H. Refund .....	30
Cameron, D. Lessee .....	236
Cameron, D. M. Salary .....	189
Cameron, J. Lessee .....	240
Cameron, W. D. Salary .....	192
Campeau, F. R. E. do .....	215
do Contingencies.....	216
Campbell, D. Salary .....	220
Campbell, G. J. do .....	195
do Seizures.....	214
Campbell, James Salary .....	222
Campbell, John do .....	220
Campbell, J. McD. do .....	189
Campbell, T. do .....	202
Camyré, J. N. do .....	193
do Seizures.....	213
Canadian Express Co. Contingencies.....	197, 217, 229, 232
Canadian Mechanics Magazine, Contingencies.....	216
Canadian Navigation Co., Lessee.....	242
Canals—Expenditure, Page 10. Details of .....	200
do do Vote for .....	46
do Refunds .....	31
do Revenue.....	8
do do Monthly Deposits.....	24
do Statistics .....	82 to 174
do Tariff.....	175 to 178
Cape Breton Advocate, Contingencies.....	218
Cape Breton Times do .....	216
Carleton Sentinel do .....	216
Carling & Co. Refund .....	30
Carmen, G. A. Salary .....	201
Carmichael, D. Lessee .....	236
Carney, W. Salary .....	220
Carroll, D. do .....	195
Carruthers, S. do .....	220
Carter, J. T. do .....	227
Carter, L. G. Lessee .....	244
Carter, W. Salary .....	215
Cauchon, A. do .....	200
do Seizures.....	213
Cauchon, Hon. J. E. Salary .....	215
do Contingencies.....	217
Cauchy, C. Cullers' Fees .....	206
Caven, A. Salary .....	188
do Contingencies.....	197, 197
do Seizures.....	212
Chamberland, J. O. Salary .....	225
Chamberlin, B. Contingencies.....	204
Chambers, Richard Lessee .....	244
Chambly Canal. See Tabular Index, Page vi.	

## INDEX—Continued.

	PAGE
Champagne, —	217
Charlebois, W. A.	31
Charlottetown <i>Herald</i>	216
Cheney, H. J.	197
Cherrier, A. B.	205
Chester, Alfred	238
Chevalier, Jean	250
Choat & Kern	250
<i>Christian Visitor</i> .	197
Christie, A. & Co.	217, 229
Christie, J.	218
Chubbuck, C. E.	215
Church, P. H. & L. R.	236
Cigars—Taken for consumption	22
Cinq-Mars, H. A.	224
Clark, G. A.	244
Clark, J.	210
Clark, James	200
Clark, T.	210
Clegg, Wm.	240
Clemow & Co.	204
Cloutier, Louis	207
Coles, F. H.	190
do	212
Collector of Customs	229
Collier, H. H.	200
Collingwood <i>Bulletin</i> .	216
Collins, Timothy & Patrick	238
Commission to Customs Officers. Page 6. Details of	198
do	46
Conlin, J. & F.	244
Connolly & Co.	33
Conroy, Mary	236
Cook, B. & T.	238
Cooper, D.	244
Corbin, Jos.	209
Côté & Co.	208
Coulter, R.	200
Courtney, J.	193
Coutu, A.	224
Couture, C.	207
Cox, Geo.	229
Craig, J.	188
do	212
Crawford, W. P.	189
Creeley, Geo.	250
Crevier, P.	209
Crowe, Jacob	244
Crowe, J. F.	198
Culhane, T.	213
Culling Timber—Expenditure, Page 17. Details of	206, 208
do	46
do	181
do	184
do	16
do	24
Cummings, James	244
Cunio, N.	30
Currier, J. M.	236
Cusson & Barsalo	207
Cusson, F. X.	207
Cusson, W. H. P.	209
Outler, R. C.	227
Dagenais, A.	225
Dalghish, James	204
Daoust, Bénéoni	225
Darby, John	203
David, L. O.	217

## I N D E X—Continued.

	PAGE
Davies, J. J.	191
Davis, A. A.	223
Davis, J.	196
do	Contingencies..... 197, 197
Davis, T. G.	Salary..... 191
Davis, W. & Sons	Refund..... 31
Davy, N. M.	Lessee..... 240
Dawson, Wm.	do..... 238
Deane, J.	Salary..... 201
DeBlois, G. H.	do..... 208
DeFoy, E.	Seizures..... 213
DeGuise, A.	Contingencies..... 217
Delaney, Daniel	Lessee..... 236
Demers, F. X.	Cullers' Fees..... 206
Demers, J.	Lessee..... 240
Demers, J. & Co.	do..... 240
Demers, L.	Cullers' Annuity..... 210
Departmental Expenditure, Page 34.	Details of..... 215
do	Vote for..... 46
Derousie, Louis	Lessee..... 240
D'Eschambault, H.	Salary..... 201
Desroches, J. L. B.	do..... 193, 225
Desrivieres, F. L.	do..... 226
De St. George, H. Q.	do..... 225
Detlor, S. H.	do..... 188
do	Seizures..... 212
Devlin, J.	Salary..... 192
Devlin, R.	Contingencies..... 215
DeWitt, O. B.	Salary..... 224
Dibblee, Wm.	do..... 184, 227
do	Commission..... 198
Dickenson, E.	Lessee..... 248
Dickinson, M. K.	do..... 238
Dickson, C. T.	Salary..... 189
Dickson, G. P.	do..... 196
do	Contingencies..... 197
Digby Courier.	do..... 215
Dingman, N. J.	Salary..... 188
Dixon, J. B.	Commission..... 198
Dixon, R. B.	Salary..... 189
Dobbie, Arch.	Lessee..... 246
Dodd, John.	Salary..... 192
Dominion Telegraph Co.	Contingencies..... 217, 242, 248, 248
Donoghue, G.	Cullers' Annuity..... 210
Donaghy, Wm.	Salary..... 192
do	Seizures..... 212
Donaldson, Andrews & Ross.	Lessees..... 244
Donaldson Estate	do..... 246
Dorval, Geo.	Cullers' Fees..... 206
Dorval, P.	Cullers' Annuity..... 210
Doyon, J. A.	Contingencies..... 215
Dowling, E.	Commission..... 198
Draper, Chester.	Lessee..... 250
Drewry, E. L.	Refund..... 30
Dring & Fage.	Contingencies..... 197
Dubord, A.	Salary..... 205
Dubord, E.	do..... 226
Duggan, E.	do..... 208
Duggan, Edward.	Cullers' Fees..... 206
Duggan, W.	Cullers' Annuity..... 210
Duhamel, L.	Lessee..... 238
Dundas Herald.	Contingencies..... 216
Dundas & Waterloo Road.	Revenue..... 15
Dunlop, C.	Salary..... 192
Dunlop & Seeley.	Lessees..... 246
Dunn, A.	Salary..... 191, 192
Dupont, C. T.	do..... 196
Duquet, F.	do..... 193

I N D E X—Continued.

	PAGE
Durie & Son.	217
Dyde, J. S.	200
Ead, J.	195
Earle, R. H.	189, 192
Easton, Hiram.	236, 238
Edwards, J. B.	219
Elliott, R. N.	192
Ellis, W. H.	219
Ellwood, G. V.	188
Englehart & Co.	31
Esmonde, J. R.	217
Esson, G., jun.	196
do	198
Estate J. Frothingham	242
Estate Ira Gould.	242
Estate Robt. Reed.	250
Estate D. Thompson.	246
Estate P. Turcotte.	250
Evers, Patrick.	242
Excise—Expenditure, Page 6.	188
do do	46
do Refunds.....	30
do Revenue.....	4
do do Comparative Statement, showing increase or decrease for 1876-77 and 1877-78.....	28
do do Monthly Deposits.....	24
Expenditure—Adulteration of Food..... Page 19.	218
do Bill Stamps..... do 19. do.....	218
do Canals..... do 10. do.....	200
do Culling Timber..... do 17. do.....	206, 209
do Departmental..... do 34. do.....	215
do Excise..... do 6. do.....	188
do Gas Inspection..... do 44. do.....	231
do General.....	3
do Inspection of Staples..... Page 19. Details of.....	218
do Minor Public Works..... do 19. do.....	218
do Slides and Booms..... do 13. do.....	203
do Votes for.....	46
do Weights and Measures..... Page 40. Details of.....	220
do do Special Account.....	234
Fahey, Edw.	199
Fairgrieve, J. B.	32
Falconer, James.	189
Fanning, John.	246
Farmer, John.	198
Fauteux, O.	225
Feore, J. F.	210
Ferguson, A.	229
Ferguson, J.	191
Ferland, P.	207
Ferries,	15
Findlay & Durham.	232
Fleck, A.	229
Fluke, A. G.	31
Flynn, Charles.	204
Flynn, E.	218
Foley, J.	208
Food, Adulteration of—Expenditure, Page 19. Details of.....	218
Foote, J. J.	205, 208
Ford, J.	191
Forman, T. C.	222
Forrest, A. G.	203
Fortier, C. G.	192
Fortier, J. E.	193
do	31
do	218
do	212
Fournier, J. A.	201

## N D E X—Continued.

	PAGE		
Fowler, Geo.	Salary.....	215	
do	Contingencies.....	215, 217, 229	
do	Gratuity.....	215	
Fowler, John	Salary.....	215	
do	Contingencies.....	229	
Fox, J. J.	Salary.....	194	
Fox, Thos.	do.....	193	
Fraser, A.	do.....	208	
Fraser & Co.	Contingencies.....	209	
Fraser, R. G.	do.....	219	
Fréchette, A.	do.....	197, 229	
Frédéric, Antoine	Cullers' Fees.....	206	
Frédéric, Joseph	do.....	207	
Frederickson, J.	Salary.....	194	
Freeze, E. C.	do.....	227	
French, W. J.	Cullers' Fees.....	206	
Frothingham & Workman	Lessees.....	242	
Frothingham, Estate J.	do.....	242	
Galbraith, T. J.	Salary.....	200	
Gallagher & Co.	Contingencies.....	209	
Garbatz, John	Lessee.....	250	
Ganong, J. E.	Salary.....	194	
Gas Inspection—Expenditure.	Page 44, Details of.....	231	
do	do	Vote for.....	46
do	Revenue.....	35	
do	do	Monthly Deposits.....	24
do	Stamps—Distributors' Account.....	39	
Gaulin, R. E.	Contingencies.....	217	
Gauvreaux, Olivier	Cullers' Fees.....	206	
Gerald, Chas.	Salary.....	191	
Gerald, W.	do.....	191	
Gerald, W. J.	do.....	191	
do	Contingencies.....	197	
Gibbons, M.	Cullers' Fees.....	207	
Giblin, John	Contingencies.....	208	
Gibney, J. C.	Refund.....	31	
Gibson, Wm.	Lessee.....	240	
Gilchen, Thos.	Cullers' Fees.....	206	
Gill, W.	Salary.....	192	
Gilles, A.	Contingencies.....	218	
Gillespie & McLean	Lessees.....	244	
Gillespie & Simpson	do.....	244	
Girdlestone, R. J. M.	Salary.....	188, 192	
Godson, H.	do.....	197	
do	Contingencies.....	197	
Good, H. B.	Salary.....	195	
do	Contingencies.....	232	
Gooderham & Worts	Refund.....	30, 30, 30, 30, 30	
Gordon, Woodward &	Co. Refund.....	32, 32, 32	
Geron, D.	Salary.....	193	
do	Seizures.....	213	
Gorrie, W. M.	Salary.....	191	
Gosnell, T. S.	do.....	192	
Gosselin, Théo.	Contingencies.....	208	
Gouin, W. F.	Salary.....	196	
Gould, Estate Ira	Lessee.....	242	
Gould, Ira & Son	do.....	240	
Gould, J. H.	Salary.....	223	
Gove, C. M.	Commission.....	198	
Gow, James	Salary.....	192	
do	Contingencies.....	197	
do	Seizures.....	212	
do	Refund.....	31, 31	
Gowan, Edward	Contingencies.....	209	
Goyer, D.	do.....	217, 229	
Graham, A.	Salary.....	215	
Graham, John	Lessee.....	236	
Graham, W. J.	Salary.....	228	

I N D E X—*Continued.*

	PAGE
Graham, W. J.	Contingencies..... 197
Grant & Leith	Lessees ..... 242
Grant, Peter	Salary..... 228
Graveley, W.	do ..... 183
Graves Bros.	Contingencies..... 217
Greay, S.	Salary..... 188
Grégoire, J.	do ..... 226
Grenier, N.	do ..... 225
Griffin, J. J. & Sons	Contingencies..... 197
Griffin, J. T.	Salary..... 194
do	Contingencies..... 232
Griffith, J.	Salary..... 194
Grogan, T. P.	do ..... 208
Guelph <i>Mercury</i>	Contingencies..... 216
Gunn, Peter	Salary..... 228
do	Contingencies..... 229
Gurneys & Ware	do ..... 229
Hagarty, P.	Salary..... 195
Halifax <i>Chronicle</i>	Contingencies..... 216
Hall, C. R.	do ..... 215
Hall, F. W.	Salary..... 222
Hall, J. J.	do ..... 190
Hamel, A. F.	Cullers' Fees..... 207
Hamel, Michel	do ..... 207
Hamilton, Hon. John	Lessee ..... 236
Hamilton <i>Spectator</i>	Contingencies..... 216
Hamilton <i>Times</i>	do ..... 216
Hamilton, W. L.	Salary..... 191
Haney, S. & J.	Lessees..... 246
Hanford, T.	Salary..... 196
Hanna, J. J.	Law Costs..... 198
Hanvey, D.	Salary..... 190
Harbour Commissioners of Montreal—Lessees	..... 280
Harbours	Revenue..... 15
Hardy, Robt. E.	Lessee ..... 238
Harris, Bronson & Co	do ..... 236
Harrison, Henry	do ..... 240
Hart & Rawlinson	Contingencies..... 197
Hart, D. W.	Salary..... 190
Hartley, R. A.	do ..... 191
Hartney, Henry	Lessee..... 238
Haskell, B. A.	Salary..... 225
Hastie, W.	do ..... 193
Hay, Geo.	Contingencies..... 217, 232
Hay, R. & Co.	do ..... 233
Heap, R.	Salary..... 191
Hébert, C. D.	Seizures..... 214
Hegau, J. J. & Co.	Contingencies..... 232
Heilens, John	Lessee ..... 246
Henderson, T. R.	Refund ..... 32
Hendershot, A.	Lessee..... 246
Hendershot Bros.	do ..... 246
Hendershot, W. B.	do ..... 224
Hendry, Israel	Salary..... 228
Heney, Customs Officer,	Seizures..... 212
Heney & Co.	Contingencies..... 229
Heney, John	do ..... 204
do	Lessee..... 238
Henry, J. M. B.	Salary..... 190
Hepburn, James	do ..... 232
do	Contingencies..... 232
Heron, W. L.	Salary..... 215
Hétu, F. X.	do ..... 200
Hewson & Hughes	Lessees..... 236
Hickey, Andrew	do ..... 238
Hill, A. M.	Salary..... 194
Himsworth, Wm., Jun.	do ..... 215
Hodge, Andrew	Lessee..... 240

## I N D E X—Continued.

	PAGE
Holbrook, G. M.	Contingencies .....
Holbrook, Hy.	Lessee .....
Holden, Dan.	do .....
Holton, G. C.	Salary .....
do	Law Costs .....
Hope, James & Co.	Contingencies .....
Hotson, G.	Salary .....
Howland, Peleg	Lessee .....
Howlett, Widow Andrew, do	do .....
Hubert, R. A. H.	do .....
Hudon, A.	Salary .....
do	Seizures .....
Huggard, R. T.	Salary .....
Hunter, Rose & Co.	Contingencies .....
Hunton & Living	do .....
Huot, Philippe	do .....
Hutchinson, Wm.	Lessee .....
Hydraulic and other Rents—Lessees' Accounts.....	236
do	Revenue .....
do	do Monthly Deposits .....
Iler, B.	Salary .....
Imlac & Hicks	Lessee .....
Ingersoll <i>Chronicle</i>	Contingencies .....
Inspection of Staples—	Expenditure, Page 19. Details of .....
do	do Vote for .....
Ironside, G. A.	Salary .....
do	Refund .....
Irvan & Duval	Lessees .....
Jackson, Henry	Lessee .....
Jackson, J.	Salary .....
Jagoe, J. F.	do .....
James, Henry	Lessee .....
Jamieson & Greig	Law Costs .....
Jennest, P.	Cullers' Annuity .....
Joannet, Detective	Seizures .....
Jobin, Jacques	Cullers' Annuity .....
Jodoin, A. P.	Salary .....
Johnson, C.	Lessee .....
Johnstone, W. J.	Salary .....
do	Contingencies .....
Jones, C. A.	Salary .....
Jones, S.	Commission .....
Jordan, John.	Cullers' Annuity .....
Kane, Anna	Contingencies .....
Keegan, Mrs.	do .....
Keith, A. & Son	Refund .....
Keith, D. G.	do .....
Keith & Son	do .....
Kellock, D.	Salary .....
Kelly, Edward	Cullers' Fees .....
Kelly, Michael	do .....
Kennedy, J. D.	Salary .....
Kennedy, Philip	Lessee .....
Kenning, G. H.	Salary .....
Kerr, S. G.	do .....
do	Contingencies .....
Kerrins, Michael	Lessee .....
Kilroe, Michael	do .....
Kiég & Dolan	do .....
Kingston, Thomas	do .....
Kinnear, J.	Salary .....
Kinsonau, J.	Lessee .....
Kirby, T. H.	Contingencies .....
Knight, Joseph	Salary .....
Knowlson, J. B.	do .....
Laferrière, J. O.	Law Costs .....
Lafamme, Joseph	Cullers' Fees .....
Lafrance, C. J. L.	Salary .....



INDEX—Continued.

	PAGE
Lafrance, Mrs.	208
Lafrance, N.	208
Laird, W. H.	223
Lake St. Francis Navigation Co., Lessee	240, 242
Laliberté, D.	209
Lalonde, H.	225
Lamb, T.	226
Lambert, Stephen	210
Lamontagne, F.	224
LaMothe, H. G.	215
do	215
Lamoureux, J. E.	224
Lang, V.	188
Langlois & Co.	204
Lanier, J. M.	224
Lapierre, E. A.	222
Larkin, P.	31
Laroche, —	209
Laroche, W. H.	205, 209
Larose, Joseph	206
Larose, O.	31
Larose, S. C.	203
LaRue, F. A. H.	219
LaRue, George	193
do	218
LaRue, T.	226
Laurière, W.	208
Laurie, R. & J.	244
Laurier, Hon. W.	215
do	217
Law Stamps—Distributor's Account	39
do Revenue	35
Leard, S. J. B.	198
LeBeuf, J.	201
LeCain, J. M.	226
Leclair, C. J.	194
Lecompte, Salem	206
Les, Edward	244
Leggett, J. E.	200
Leitch, J. G.	32
Lemieux, J. E.	217
Lemieux, W. F.	208
do	196
LeMoine, J. M.	210
Leneghan, M.	210
Leroux, C. H.	213
Leslie, John	232
Lesperance, E. O.	242
Lessees of offices in Custom House, St. John, N.B.	15
Letson, J. J.	198
Levasseur, Z.	208
Lévéque, A.	225
do	195
Lindsay, D.	217
Lionais, F.	198
Livingstone, J.	210
Lockquell, A. H.	206
Lockquell, B.	210
Lockquell, L.	206
Lockquell, O.	210
do	189
Logan, J.	218
L'Original News	220
Loucks, E. F.	216
Lovell Printing Co.	215
do	232
Lusignan, A.	242
Lyman, Clare & Co.	206
do	240
Lynch, John	244
Lynch, Owen	244
Lynch, P.	244

## I N D E X—Continued.

	Page
Lyons, D.	225
Macdonald, D.	193
do	213
Macdonald, John	203
Macdonald, J. A.	196
Macdonald, J. P.	221
Macfarlane, James	229
do	227
Macfarlane, S. A.	217
Mackay, J.	204
do	205
Maguire, A. J. O.	228
<i>Mainland Guardian</i>	216
Maisonville, F. H.	192, 195
Malo, T.	193
Malone, James C.	206
Malone, Jeff.	206
Malone, Thomas	206
Malt—License Fees	22
do Licenses issued, Grain used, Quantity produced	56
do do do do Comparative for 1876-77 and 1877-78	58
do Quantity taken for consumption	22
do Refunds	30
do Revenue	4
do Comparative Statement showing monthly increase or decrease for 1876-77 and 1877-78	28
do Warehouse transactions	59
do do Comparative for 1876-77 and 1877-78	61
Malt Liquor—License Fees	22
do Licenses issued, Material used, Quantity produced	62
do do do do Comparative for 1876-77 and 1877-78	63
do Refund	30
do Quantity taken for consumption	22
do Revenue	4
do do Comparative Statement showing monthly increase or decrease for 1876-77 and 1877-78	28
Manning, J.	221
do	213
Manning, J. W.	193
Manufactures in Bond—License Fees	22
do do Licenses issued, Material used, Quantity produced	75
do do do do Comparative for 1876-77 and 1877-78	76
do do Quantity taken for consumption	22
do do Refund	31
do do Revenue	4
do do do Comparative Statement showing monthly increase or decrease for 1876-77 and 1877-78	28
do do Warehouse transactions	77
do do do Comparative for 1876-77 and 1877-78	78
Marcotte, S.	208
Marengo, A.	31
Marshall, F.	191
Martel, L.	229, 232
Marter, W. P.	190
Martigny, C. R. de	208
Mason, F.	189
Mason, J.	194
Maurice, J. A.	2-12
May, George	238
May, Thomas	236
Meadows & Co.	217
Measam, F.	215
Meloche, J.	240
Mercier, J. B.	232
Merrill, S. B.	191

I N D E X—Continued.

	PAGE
Merritt, W. H., Jun.	244
Merryfield, Stafford	238
Merryfield, T.	203
Metcalfe, W. F.	189
Metcalfe, Joseph	217
Miall, E., Jun.	215
Michaud, G.	224
Might & Taylor	216
Miles & Co.	216
Millar, R.	246
Miller, A.	232
do	232
do	206
Miller, G.	206
Miller, J.	210
Miller, P.	204
do	205
Miller & Son	205
Miller, W. F.	192
Milliken, E.	191
Miner, Jessie	238
Minister's salary,	46
Minor Expenditures—Page 19. Details of.....	218
do	46
Minor Public Works Expenditure—Page 19. Details of.....	218
do	15
do	24
do	204
Mitchell, O. W. Contingencies.....	240
Montreal Cotton Co. Lessee.....	242
Montreal & Ottawa Forwarding Co. Lessee.....	15
Montreal Post Office Building. Revenue.....	242
Montreal Passenger Co. Lessee.....	217
Montreal Telegraph Co. Contingencies.....	246
do	242
Montreal Warehousing Co. Lessee.....	216
Montreal Gazette	216
Montreal Herald	216
Montreal Minerve	216
Montreal National	216
Montreal Revue	216
Montreal Witness	216
Moore, D., & Co.	248
Moore, J. H.	197
Moore, T.	195
Moore, W.	189
Moore, W. H.	218
Moore, Officer	212
Morency, Denis	206
Morey, Jonathan	248
Morin, P.	213
Morin, R. E.	232
Morris, George	236
Morris, Sarah	205, 208
Morrison, James	232
Morrison, John	236
Morrissette, J.	210
Morrow, Charles	221
Morrow, John	191
do	197, 197, 218
do	212
Mortimer, A.	197, 217
Moseley & Lewis	242
Mowat, J.	189
Moynagh, T.	198
Muir, Alex.	244
Muir, James	218
Mulhern, M. M.	188
Mulligan, J.	191

## I N D E X—Continued.

	PAGE
Mulligan, J.	212
Mulvey, S.	195
Municipality County Welland, Lessee	250
Munro, William	207
Murphy, D.	201
do	31
Murphy, F.	188
Murphy, John	207
Murphy, J. E.	210
Murphy, M.	210
Murphy, M.	221
Murphy, Michael	250
Murphy, P. H.	244
Musson, P. H.	218
Myers, Robert	211
Myler, James	206
Myler, James	207
Myrand, Louis	250
McAdam, Thomas	188
McAllister, A.	238
McCaffrey, Charles	244
McCallum, L.	189
McCord, M.	210
McCormack, J.	198
McCoy, F. W.	32
McCrinnon, D. M.	204
McCuan, J.	238
McCullough, G. W.	223
McCutcheon, H.	244
McDonagh, J.	228
McDonald, A. J.	204
McDonald, R.	229
McDonald, Thomas	191
McDonell, A. D.	223
McDougall, J.	242
McDougall, James	192
McEachern, A.	197
do	200, 200
McFarland, D. E.	242
McGauvran, J. W.	191
McGlashan, P.	197
do	209
McGuire, James	206
McInenly, Thomas	198
McIntosh, R.	227
McKay, A.	32
McKay, A. D.	236
McKay & Co.	244
McKay, Gordon	246
McKeand, J. C.	206
McKendry, Daniel	204
McKenna, H.	238
McLaren, J., & Co.	188
McLean, D.	197
do	212
do	221
McLean, W.	217
McLean, Roger & Co.	242
McLennan, H.	195
McLeod, A.	244
McMahon, F.	216
McMillan, J. & A.	201
McMillan, R. P.	31
McMullin, P.	200
McNally, T.	193
McNamara, M.	214
do	32
McNaughton, A.	206
McNaughton, F.	206

## I N D E X—Continued.

	PAGE
McNeil, P.	219
McNutt, C. S.	203
do	203
McPeak, Wm.	210
McPherson, A. F.	191
McPherson & Weir.	244, 246
McPhie, D.	231
McPhie, H.	198
McRae, F.	220
McRae, J. W.	32, 32, 32
McSween, James	191
McWhinnie, J.	190
McWhinnie, R.	190
Nadeau, N.	226
Napanee <i>Express</i>	216
Nash, S. C.	195
do	229, 232
Neelan, S.	244
Negretti & Zambra	197
Neilan, G.	193
Nelles, R. F.	190
Nettle, R.	215
Newcastle District Works—See Tabular Index, page vi.	
New York <i>Herald</i>	216
New York <i>Tribune</i>	216
Nichols, J. F.	189
do	212
Nicholson, P.	198
Nicholson, S.	218
Nickerson, John	250
Noel, Elie	206
Nolan, J. C.	250
Normand, Jacques	209
Normand, J. Bte.	205
Normand, Phil.	205
Norris & Neelan	244
North Sydney <i>Herald</i>	218
Noulan, J. H.	209
O'Brien, M.	206
O'Brien, G. S.	190
O'Brien, M.	208
O'Brien, P.	198
O'Brien, W. J.	198
O'Connor, J. R.	236
Oertling, L.	229
Oland, J. C.	30
Oland, Sons & Co.	30
Oldfield, John & Co.	246
Oliver & Son	236
O'Mullin, P. & J.	30
O'Neill, J.	200
O'Neil, T.	238
Ottawa Canals—See Tabular Index, page vi.	
Ottawa <i>Fédéral</i>	216, 218
Ottawa <i>Free Press</i>	216
Ottawa <i>Herald</i>	218
Ottawa and Rideau Forwarding Co.	242
Ottawa River Navigation Co.	217
Ouellet, D.	226
Ouellet, G.	217
Owen, Chas.	198
Pacaud, P. N.	225
Pace, Henry	229
Page, Thomas	236
Paré, J. A.	209
Parnell, William	246
Patterson, W. J.	218
Patterson, Mrs. Hannah	238

## I N D E X—Continued.

	PAGE
Patton, J. Salary .....	190
Patton, William do .....	189
Peck, Benny & Co. Lessees .....	242
Peele, A. do .....	248
Pennoyer, H. J. Salary .....	226
Perkins, D. C. do .....	194
Perkins, L. A. do .....	194
Perley, Pattee & Brown Lessees .....	236
Perry, Bridget do .....	246
Perry, Sanford & Co. Contingencies .....	217
Perth Courier do .....	216
Peterson, H. W. Law Costs .....	198
Petroleum—Inspection Fees .....	22
do License Fees .....	22
do Number of packages inspected .....	74
do do do Comparative statement of Inspection .....	74
do Fees for 1876-77 and 1877-78 .....	22
do Quantity taken for consumption .....	31
do Refunds .....	4
do Revenue .....	4
do do Comparative monthly statement showing increase or decrease for 1876-77, 1877-78 .....	28
Phelan, J. A. Salary .....	200
Phelps Bros. Lessees .....	244
Pickup, S. Contingencies .....	218
Pierce & Co. do .....	209
Pierce, G. S. do .....	217
Pierce, J. C. & Son. Lessees .....	242
Piers, Revenue .....	15
Pierson, J. W. Salary .....	223
Pillow, Hersey & Co. Lessees .....	242
Poliquin, F. Salary .....	208
Pominville, L. do .....	200
Porteous, T. M. do .....	195
do Seizures .....	214
Port Robinson Dry Dock. Lessee .....	246
Post Office Department. Contingencies .....	203, 205, 209, 217
Powell, Alexander Lessee .....	250
Powell, J. B. Salary .....	189
do Seizures .....	212
Powell, Wm. Lessee .....	236
Power, Richard Cullers' Fees .....	206
Power, T. Salary .....	189
Power, Thomas do .....	208
Preventive Service Expenditure .....	6
do Vote for .....	46
Pritchard & Mingard Contingencies .....	197, 217, 229
Pruneau, Hector Lessee .....	236
Pryor, J. Salary .....	228
Quackenbush, Alonzo Lessee .....	246
Quain, J. Salary .....	218
Quebec Budget and Telegraph. Contingencies .....	216
Quebec Chronicle do .....	197, 211, 216, 218
Quebec Corporation do .....	208
Quebec Eclairneur do .....	216
Quebec Eevenement do .....	216, 218
Quebec Journal do .....	216
Quebec Mercury do .....	211
Quebec Post Office do .....	209
Queen's Printer do .....	217
Quinn, J. A. do .....	209
Quinn, S. J. Salary .....	225
Quinn, W. do .....	208
Rafferty, John Cullers' Fees .....	206
Ramon, P. Salary .....	192
Ramsay, George do .....	195
Randall, G. & Co. Refund .....	30
Randall, C. F. Salary .....	220

## I N D E X—Continued.

	PAGE
Randall, P. R.	Salary..... 220
Rankin, John	Lessee ..... 236
Reddan, W.	Salary ..... 191
do	Seizures ..... 212
Redman, J.	Salary ..... 203
Keed, Estate Robert	Lessee ..... 250
Refunds	..... 30
Regnier, P	Salary..... 194
Reid, J.	do ..... 201
Reifeinstein, J.	Contingencies..... 204
Religious Intelligencer,	do ..... 216
Rémillard & Flynn	do ..... 211
Revenue—Bill stamps.....	18
do Canals.....	8
do Culling Timber.....	16
do Excise.....	4
do Gas.....	35
do General.....	2
do Hydraulic and other rents.....	14
do Law Stamps.....	35
do Minor Public Works.....	15
do Monthly Deposits.....	24
do Slides and Booms.....	12
do Weights and Measures.....	35
Rhodes & Co.	Contingencies..... 232
Ricard, G.	do ..... 217
Richard, R.	Salary .. 193
do	Seizures..... 213
Richardson, H. W.	Contingencies..... 217
Richelieu and Ontario	Navigation Co., Lessee..... 246
Richey, Geo.	Lessee..... 236
Richey, W. M.	Salary ..... 201
Rideau Canal—See Tabular Index, page vi	.....
Ridgeway, Wm.	Contingencies ..... 216
Rigby, G	do ..... 218
Rimouski <i>Nowelliste</i>	do ..... 216
Riorden, John,	Lessee ..... 246
Ritchey, J.	Salary ..... 203
Roberts, Wm.	do ..... 222
Robertson, L.	do ..... 194
Robins, P. M.	do ..... 215
Roblin, M. P.	Lessee ..... 244
Rochester, John,	do ..... 236
Rodden, Wm.	do ..... 240
Rogerson, J. M.	Salary ..... 191
Romain, C. E	do ..... 196
do	Contingencies..... 197
Roman, H.	Refund ..... 31
Rooth, W. A.	Salary ..... 200
Ross, H. C.	Salary ..... 192
Ross, J. H.	Lessee ..... 240
Ross, S. F.	Salary ..... 189
Ross, W. O.	do ..... 192
Rouleau, J.	Salary ..... 193
do	Seizures ..... 214
Rowan, A.	Salary ..... 232
Rowland, E.	do ..... 190
Rowland, F.	do ..... 189
Rowland, Wm.	do ..... 238
Roy, A.	Salary ..... 193
do	Seizures ..... 212
Roy, E	Contingencies..... 217
Roy, L. N. F.	Salary ..... 225
Russell, A. J.	do ..... 203
do	Contingencies..... 203, 203
Russell, A. J., Jun.	Salary ..... 203
Rymal, Jacob	do ..... 221
Sands, A.	do ..... 231

## I N D E X—Continued.

	PAGE	
Sanford, S. M.	Salary.....	191
do	Seizures.....	212
Schneider, G.	Salary.....	201
Scholfield, J.	do.....	200
Scholfield, W.	Lessee.....	246
Schram, B.	Salary.....	190
Seizures—Distribution of.....		212
do	Refund.....	31
do	Revenue.....	4
do	do Comparative monthly statement, showing increase or decrease for 1876-77 and 1877-78.....	28
Seymour, J.	Salary.....	191
Sharpe, J.	do.....	222
Shaw & Co.	Contingencies.....	209
Shaw, C. S. & Co.	do.....	217
Shaw, James.	Lessee.....	236
Shaw, J. F.	Salary.....	215
Shen & Co.	Contingencies.....	209
Sheppard, H.	Salary.....	221
Sherbrooke News.	Contingencies.....	216
Sherbrooke Progrès.	do.....	216
Shoolbred & Co.	do.....	197
Sills, G. W. B.	Salary.....	221
Silverwood, W. A.	do.....	223
Simard, H.	do.....	216
Skead, Hon. Jas.	Lessee.....	236
Slaght, T. R.	Salary.....	222
Slater, James.	do.....	203
Slides and Booms—Expenditure, page 13. Details of.....		203
do	do Vote for.....	46
do	Refund.....	32
do	Revenue.....	12
Slides and Booms—Revenue, Monthly Deposits.....		24
do	do Showing on what rivers accrued.....	179
do	do Timber passed through.....	180
Slipp, W. O.	Salary.....	227
Smith, Edward	Lessee.....	236
Smith, E. T.	Salary.....	203, 203
Smith, G.	Contingencies.....	204
Smith, H. A.	do.....	191
Smith, M. A.	Lessee.....	246
Smith & Stewart	Contingencies.....	217
Smith, Thomas	Salary.....	221
Smith, William	Seizures.....	214
Souff—Taken for consumption.....		22
Sorel Gazette	Contingencies.....	216
Spearman, J.	Salary.....	190
Spence, J.	do.....	189
do	Seizures.....	212
Spettigue, J. J.	Salary.....	221
Spilling, E.	Refund.....	31
Spirits—License Fees.....		22
do	Licenses issued, Materials used, Quantities produced.....	48
do	do do do Comparative for 1876-77 and 1877-78.....	50
do	Quantity taken for consumption.....	22
do	Refunds.....	30
do	Revenue.....	4
do	Comparative Statement showing monthly increase or decrease for 1876-77 and 1877-78.....	28
do	Warehouse Transactions.....	52
do	do Comparative for 1876-77 and 1877-78.....	54
Stationery Office	Contingencies.....	216
Steen, J.	Salary.....	203
Stephen, Geo.	Lessee.....	240
Sterling, Geo.	do.....	236
Stevens, C. B.	Salary.....	220
Stewart, James	do.....	223



## INDEX—Continued.

	PAGE
Stewart, James	189
Stewart, McL.	204
Stewart, N.	215
Story, R.	31
Stratford <i>Beacon</i>	218
Stratton, W. C.	191
Street, A. F.	198
Striker, E. H.	191
do	212
Stuart, A.	189
Stuart & Kenst	30
Sullivan, Timothy	250
Sullivan, J. O.	210
Sutor, J. K.	250
Sutherland, G.	231
Swinford, H. H.	223
St. Amour & Co.	240
St. Andrew's Church Temporal Committee, Lessee	238, 250
St. Andrew's <i>Standard</i> , Contingencies	216
St. Catharine's Gas Light Co., Lessee	246
St. Catharine's Water Power Co., Lessee	246
St. Hyacinthe <i>Union</i> , Contingencies	216
St. John's <i>News</i>	216
St. John's Stone China Co., Lessee	242
St. John Telegraph	216
St. Lawrence Canals—See Tabular Index, Page vi.	
St. Lawrence Navigation Co., Lessee	242
St. Lawrence Tow Boat Co. do	246
St. Lawrence and Ottawa Railway do	238
do do Contingencies	197, 229, 232
St. Louis, A. D.	193
do Seizures	213
Ste. Marie, L. C. A.	193
do Seizures	213
Ste. Marie, P. C.	217
St. Peter's Canal.—See Tabular Index, Page vi.	
St. Thomas Block and Tackle Co.—Refund	33
Tait, Mrs.	240
Tapson, W. H.	216
Tariff—Canals	175 to 178
Taylor, Chas.	195
do Contingencies	218
do Refund	31
Taylor, John	246
Taylor, J. F.	190
Teakles, B. H.	215
Telegraphing	203, 205
Tett, Benjamin	236
Thompson, Abraham	250
Thompson, Estate of D.	246
Thompson, F. X.	207
Thompson, J. G.	191
Thorold Corporation	246
Tierney, J.	208
Tipton, T. L. M.	200
Tobacco—License Fees	22
do Licenses issued, Materials used, Quantities produced	64
do do do do Comparative for 1876-	
do 77 and 1877-78	66
do Quantity taken for consumption	22
do Raw Leaf, taken for consumption	22
do do Warehouse transactions	72
do do do Comparative for 1876-77 and 1877-78	72
do Refunds	31
do Revenue	4
do do Comparative Statement showing monthly increase or decrease for 1876-77 and 1877-78	28
do Warehouse transactions	68

## I N D E X—Continued.

	PAGE
Tobacco—Warehouse transactions, Comparative for 1876-77 and 1877-78 .....	70
Toronto <i>Evening Telegram</i> —Contingencies .....	215
Toronto <i>Fortnightly Review</i> do .....	215
Toronto <i>Globe</i> do .....	215
Toronto <i>Grip</i> do .....	215
Toronto <i>Mail</i> do .....	215
Toronto <i>Observer</i> do .....	216
Travis, G. Salary .....	194
Tremaine, E. D. Commission .....	198
Tremaine, L. Salary .....	227
Trenton <i>Courier</i> Contingencies .....	216
Troughton & Simms do .....	229
Trudeau, Elmire do .....	209
Trustees School Section No. 4—Lessees .....	240
Tucker & Rannie do .....	246
Tupper, E. E. Salary .....	227
Turcotte, Estate of P. Lessee .....	250
Tuttle, Date & Rodden do .....	244
Vachon, J. B., Jun. Cullers' Fees .....	206
do Cullers' Annuity .....	210
Valin, J. B. Salary .....	215
do Contingencies .....	215
Valin, Mrs. Cullers' Annuity .....	210
Valleyfield Peat Coal Co. Lessee .....	240
Vanluren, Cornelius do .....	236
Verret, E. Cullers' Annuity .....	210
Vessels—Total Tonnage and Nationality of, passed through the Canals .....	122, 166
do do do do do Classified .....	171
Vidal, T. G. Salary .....	192
Villeneuve, J. do .....	193
do Contingencies .....	217
Villeneuve, Jacques Cullers' Fees .....	207
Vincent, J. L. Salary .....	192
do Seizures .....	214
Vincent, James Contingencies .....	217
Wainwright, F. G. Salary .....	195
Walker & Miles, Contingencies .....	216
Walkerton <i>Telescope</i> , do .....	216
Walsh, M. F. do .....	209
Walsh, Patrick Lessee .....	240
Walsh, R. N. do .....	240
Walsh, T. J. Salary .....	208
do Contingencies .....	209
Walsh, Wm. Cullers' Annuity .....	210
Walker, S. & Co. Lessees .....	246
Ward, A. R. do .....	238
Ward, R. do .....	238
Warren, Joseph Contingencies .....	203
Water Commissioners, Contingencies .....	198
Water and Road Rates, Commission .....	209
Watts, J. Salary .....	221
Weatherbee, R. L. Law Costs .....	198
Webster, W. J. Lessee .....	238
Weights and Measures—Expenditure, Page 40—Details of .....	220
do Inspection Stamp Distributors' Account .....	136
do Refunds .....	33
do Revenue .....	35
do Special Account .....	234
do do Vote for .....	46
Welland Canal. See Tabular Index, Page vi.	
Welland Dry Dock Co. Lessee .....	246
Welland Railway Co. do .....	244
Wells & Fargo, Contingencies .....	197
Weyms, C. Salary .....	189, 192
Whelan, W. H. do .....	208
White, J. F. Commission .....	199
Whitney, A. Refund .....	30
Whitmarsh, Lessee .....	238

I N D E X — *Concluded.*

	PAGE
Wiggle, T. A. & Son Refund.....	31
Willcox, James Lessee .....	244
Willett, M. S. do .....	242
Williams, Daniel do .....	244
Willoughby, J. H. Salary.....	223
Wilson, G. do .....	200
Wilson, C. & Son Refund.....	33
Wilson, D. Salary.....	190
Wilson, Wm. Contingencies.....	218, 229
Winchester, L. D. Salary.....	223
Wingfield, J. M. do .....	223
Winnipeg <i>Free Press</i> Contingencies.....	216
Winslow & Ambrose Refund.....	30
Wood, C. H. do .....	30
Wood, J. & C. H. Lessees.....	240
Woodburn, A. S. Contingencies .....	216
Woodward, G. W. Salary.....	189
Woodward Estate Lessee .....	244
Wright, A. & Co. Contingencies.....	233
Wright, A. P. do .....	229, 232, 233
Yarmouth <i>Herald</i> do .....	197, 216
Yates, J. M. Salary .....	192
Yelland, H. Contingencies.....	232
Young, Levi Lessee .....	236
Zealand, H. Refund.....	31

---

---

SUPPLEMENT No. 1

TO THE

INLAND REVENUE REPORT

FOR THE YEAR ENDED 30TH JUNE, 1878.

---

---

CANAL STATISTICS

FOR THE SEASON OF NAVIGATION, 1878.

---



OTTAWA:

PRINTED BY MACLEAN, ROGER & CO., WELLINGTON STREET.

1879.



## CONTENTS.

REPORT of the Commissioner of Inland Revenue for the Season of Navigation ended  
31st December, 1878.

PAGES.

Statistics of Canal Traffic..... 1 to 40.

No. of STATEMENT.		PAGE
21	Welland Canal, Details of Traffic arranged Alphabetically.....	2
22	St. Lawrence Canals do do .....	6
23	Burlington Bay Canal do do .....	10
24	Ottawa Canals do do .....	14
25	Chambly Canal do do .....	18
26	Rideau Canal do do .....	22
27	St. Peter's Canal do do .....	26
28	Newcastle District Canals do do .....	27
29	Statement of Traffic on the above-mentioned Canals arranged ac- cording to Classes.....	28
31	Statement of the amount of Tolls accrued each month on all the Canals	34
32	Statement of the Number, Tonnage and Nationality of Vessels passed through all the Canals.....	36
	Comparative Statement of Grand Total Freight passed through all the Canals, for the Season of Navigation 1877, 1878.....	40



SUPPLEMENT No. 1

TO THE

REPORT

OF THE

COMMISSIONER OF INLAND REVENUE.

To the Honorable  
The Minister of Inland Revenue.

SIR,—I have now the honor to submit my Report on the Canal Statistics for the season of navigation of 1878:—

1. The Statistics of the season of 1877 are printed with the Annual Report of the Department; and comparing them with those now submitted, it will be seen that the aggregate revenue has decreased in 1878 by \$42,898.12. This decrease is accounted for as follows:—

Decrease of Revenue for 1878.

	Decrease.	Increase.
	\$ cts.	\$ cts.
On the Welland Canal.....	37,959 03	
do St. Lawrence Canals....	.....	1,991 14
do Burlington Bay Canal...	.....	104 11
do Chambly Canal.....	3,514 84	.....
do Rideau Canal .....	284 20	.....
do Ottawa Canals.....	3,073 60	.....
do St. Peter's Canal.....	.....	.....
do Newcastle Dis't Canals.	161 70	.....
	<hr/>	<hr/>
	44,993 37	2,095 25
	<hr/>	<hr/>

Showing a decrease of. \$42,898 12

Or about 11-38 per cent.



Comparison with New York canals.

2. In continuation of the statistical comparisons which were given last year of the quantities of the principal articles carried through the Welland Canal, with the quantities of similar articles carried over the routes in the United States in competition with that work, similar statements will be found printed herewith.

Vegetable food.

3. The increase or decrease in the tonnage of flour, wheat, barley, corn, oats, rye, and other vegetable food moved through the Welland Canal and through the Erie Canal, as compared with the movement of 1869—the year before the reduction of tolls on the Erie Canal took place—may be summarized as follows :—

	1870.		1871.		1872.		1873.		1874.	
	Increase per cent.	Decrease per cent.	Increase per cent.	Decrease per cent.	Increase per cent.	Decrease per cent.	Increase per cent.	Decrease per cent.	Increase per cent.	Decrease per cent.
New York Canals.....	.....	0·58	42·03	.....	28·53	.....	33·97	.....	35·69	.....
Welland Canal.....	18·43	.....	32·59	.....	23·73	.....	7·18	.....	23·55	.....

	1875.		1876.		1877.		1878.	
	Increase per cent.	Decrease per cent.	Increase per cent.	Decrease per cent.	Increase per cent.	Decrease per cent.	Increase per cent.	Decrease per cent.
New York Canals...	0·22	.....	18·29	15·07	.....	46·83	.....	.....
Welland Canal.....	1·61	.....	9·69	.....	19·3	.....	12·89	.....

4. The movement of *Heavy Goods*, including iron, salt, coal, *Heavy goods*. and iron ore, shows the following result :—

	1870.		1871.		1872.		1873.		1874.	
	Increase per cent.	Decrease per cent.	Increase per cent.	Decrease per cent.	Increase per cent.	Decrease per cent.	Increase per cent.	Decrease per cent.	Increase per cent.	Decrease per cent.
New York Canals.....	15-09	.....	1-12	.....	18-01	.....	19-37	.....	.....	3-14
Welland Canal.....	.....	2-35	5-81	.....	.....	5-11	25-113	.....	44-44	.....

	1875.		1876.		1877.		1878.	
	Increase per cent.	Decrease per cent.	Increase per cent.	Decrease per cent.	Increase per cent.	Decrease per cent.	Increase per cent.	Decrease per cent.
New York Canals.....	.....	8-55	.....	41-52	.....	11-33	.....	33-96
Welland Canal .....	.....	1-52	9-54	.....	7-47	.....	.....	0-57

Vegetable  
food cleared  
downwards.

5. Making a similar comparison of the tonnage of similar articles of Vegetable Food, cleared downwards at Buffalo and Tonawanda, with the quantities cleared eastward at Port Colborne, we have the following result :—

	1870.		1871.		1872.		1873.		1874.	
	Increase per cent.	Decrease per cent.	Increase per cent.	Decrease per cent.	Increase per cent.	Decrease per cent.	Increase per cent.	Decrease per cent.	Increase per cent.	Decrease per cent.
At Buffalo and Tonawanda.....	2·05	.....	67·29	.....	67·59	.....	82·10	.....	47·18	.....
At Port Colborne.....	17·15	.....	33·30	.....	26·61	.....	9·45	.....	26·26	.....

	1875.		1876.		1877.		1878.	
	Increase per cent.	Decrease per cent.	Increase per cent.	Decrease per cent.	Increase per cent.	Decrease per cent.	Increase per cent.	Decrease per cent.
At Buffalo and Tonawanda...	29·38	.....	.....	0·39	55·52	.....	109·08	.....
At Port Colborne.....	1·45	.....	.....	14·33	.....	25·87	.....	11·12

6. The quantities of Vegetable Food passed through the Welland Canal in transit between ports in the United States has largely decreased, as will be seen by the following statement, and the decrease in 1878 is greater as compared with 1869 than in any preceding year. There has also been a decrease in the quantities of Heavy Goods.

Goods in transit between ports in the United States.

	1870.		1871.		1872.		1873.		1874.	
	Increase per cent.	Decrease per cent.	Increase per cent.	Decrease per cent.	Increase per cent.	Decrease per cent.	Increase per cent.	Decrease per cent.	Increase per cent.	Decrease per cent.
Vegetable Food.....	0.04	13.94	.....	.....	6.19	.....	29.86	.....	14.04	.....
Heavy Goods.....	1.20	.....	5.32	.....	15.46	13.70	.....	23.46	.....	.....

	1875.		1876.		1877.		1878.	
	Increase per cent.	Decrease per cent.	Increase Per cent.	Decrease per cent.	Increase per cent.	Decrease per cent.	Increase per cent.	Decrease per cent.
Vegetable Food .....	.....	13.65	.....	46.11	.....	49.68	.....	52.26
Heavy Goods.....	.....	7.03	11.56	.....	.....	3.04	.....	9.24

Proportion of freight carried by New York canals and competing railways.

7. On reference to the returns made by the railways to the State authorities of New York, and to the canals statistics submitted to the State Legislature, I find that of the total tonnage of freight carried by the canals and railways, the State canals carried:—

In 1859.....	68.9	per cent.
1869.....	47.0	do
1870.....	38.9	do
1871.....	38.9	do
1872.....	40.1	do
1873.....	34.9	do
1874.....	31.7	do
1875.....	28.4	do
1876.....	24.6	do
1877.....	28.3	do

It will thus be seen, as will presently appear, that the total quantity of freight carried by the canals and railways was greater in 1877 by five hundred and forty-one thousand one hundred and forty-three tons than the quantity carried in 1876.

The proportion carried by canals shows an increase over the previous year.

The quantities carried are as follows:—

	Total Tonnage.	Proportion by Canals-
In 1859.....	5,485,076	.6390
1869.....	12,453,174	.4705
1870.....	15,148,274	.3895
1871.....	15,844,152	.3896
1872.....	16,631,609	.4012
1873.....	18,200,208	.3497
1874.....	18,283,547	.3174
1875.....	17,101,758	.2841
1876.....	16,948,627	.2462
1877.....	17,489,770	.2833

The above figures are the latest I have been able to obtain in a reliable form. By reference to the figures in Statement H as to the quantity of Vegetable Food carried to tide-water, it will be observed that the quantity carried by canals has increased forty-six per cent. as compared with 1869, and twenty-eight per cent. as compared with the previous year; and the quantity carried by railways has increased nearly two hundred and thirty-nine and three-quarters per cent. as compared with 1869, and forty-eight per cent. as compared with the previous year.

8. The following figures are an abstract of the quantities, for ten years, of Vegetable Food carried to tide-water by the canals and railways of the State of New York:—

Proportion of vegetable food carried by New York canals and competing railways

	Canals.	Railways.	Total.	Proportion by Canals.
1869.....	1,302,613	1,087,809	2,390,422	·545
1870.....	1,295,010	1,766,457	3,061,467	·423
1871.....	1,850,198	2,205,589	4,055,787	·456
1872.....	1,674,320	1,870,614	3,544,934	·472
1873.....	1,745,171	2,036,992	3,782,163	·461
1874.....	1,767,598	2,791,517	4,559,115	·387
1875.....	1,305,550	2,343,241	3,648,791	·357
1876.....	1,064,293	2,875,803	3,940,096	·270
1877.....	1,498,994	2,493,683	3,992,667	·375
1878.....	1,912,734	3,695,764	5,608,498	·341

From which it appears that, notwithstanding the modification of the Erie Canal tolls, the proportion of the total volume of freight of the description mentioned carried by the railways has increased from 625 per cent. in 1877 to 659 per cent. in 1878.

The tariff on the State Canals has been again modified for the current year, the rates being generally reduced, and a large proportion of the articles included in the above statement will now pass free, such as pork, beef, bacon, cheese, butter, lard, wool, flour, corn-meal, live cattle, and other articles of minor importance.

I have the honor to be, Sir,

Your obedient servant,

A. BRUNEL,

*Commissioner.*

DEPARTMENT OF INLAND REVENUE,

31st January, 1879.

C.—TABLE showing the Tonnage of the undermentioned Articles, moved on all the Canals of the State of New York during a series of Ten Years.

	1869.	1870.	1871.	1872.	1873.	1874.	1876.	1876.	1877.	1878.
	Tons.	Tons.	Tons.	Tons.	Tons.	Tons.	Tons.	Tons.	Tons.	Tons.
<b>VEGETABLE FOOD.</b>										
Flour.....	71,051	54,978	41,211	20,534	19,307	29,134	17,635	9,290	8,923	5,904
Wheat.....	670,534	658,524	748,549	403,903	803,064	772,163	744,293	416,376	448,043	844,555
Corn.....	256,475	193,129	672,057	902,753	637,296	519,203	282,031	365,254	723,458	734,993
Barley.....	99,012	123,191	113,892	120,061	70,586	98,654	104,475	96,194	139,452	89,534
Oats.....	92,309	117,941	129,891	92,989	70,023	69,408	64,717	52,147	66,048	85,029
Rye.....	13,489	19,520	34,663	13,367	30,160	8,215	8,309	19,949	35,948	64,613
Other Vegetable Food.....	99,743	127,727	109,935	120,763	114,735	280,921	86,090	104,783	77,114	88,106
Total.....	1,302,613	1,295,010	1,850,198	1,674,320	1,745,171	1,767,598	1,305,550	1,064,293	1,498,984	1,912,734
Increase } per cent. as compared with 1869.	{	0.86	42.03	28.53	33.97	35.69	0.22	18.29	15.07	46.83
Decrease }	{									
<b>HEAVY GOODS.</b>										
Railway Iron.....	137,677	135,930	178,269	161,667	53,363	24,511	36,603	11,691	10,341	8,395
Other Iron.....	79,652	86,708	100,310	96,996	62,581	82,955	95,305	69,450	58,828	65,642
Salt.....	263,333	266,740	249,709	248,558	216,702	173,590	186,785	114,070	156,918	139,927
Coal.....	1,324,408	1,568,186	1,194,037	1,462,590	1,625,859	1,413,162	1,217,091	1,036,698	1,286,891	889,873
Ores.....	183,992	238,802	289,952	377,582	415,968	232,544	283,219	173,630	250,573	210,078
Total.....	1,989,062	2,289,365	2,011,277	2,347,403	2,374,477	1,926,762	1,819,003	1,405,439	1,763,541	1,313,905
Increase } per cent. as compared with 1869.	{	15.09	1.13	16.01	19.37	3.14	8.55	41.52	11.33	33.96
Decrease }	{									

NOTE.—In 1872 there was a change made in the rate of tolls, by which the tariff on flour, wheat, barley, rye, anthracite coal and iron ore was reduced one-half; on corn and oats, two-fifths; and on railway iron, domestic salt and bituminous coal, one-third.

D.—TABLE showing the Tonnage of the undermentioned Articles moved through the Welland Canal during a series of Ten Years, ended 30th June, 1878.

	1869.	1870.	1871.	1872.	1873.	1874.	1875.	1876.	1877.	1878.
	Tons.	Tons.	Tons.	Tons.	Tons.	Tons.	Tons.	Tons.	Tons.	Tons.
<b>VEGETABLE FOOD.</b>										
Flour.....	45,675	42,741	47,403	27,623	29,780	29,361	17,681	15,759	14,968	11,227
Wheat.....	313,825	432,162	436,166	287,222	303,607	378,591	340,345	261,030	187,839	227,839
Corn.....	120,569	84,252	164,599	264,262	194,980	188,000	127,688	119,506	169,233	166,801
Barley.....	20,951	34,001	13,788	14,719	6,174	7,729	14,067	37,057	23,283	15,221
Oats.....	904	1,036	2,460	7,706	3,272	3,023	4,192	14,553	13,066	8,810
Rye.....	1,937	2,557	3,706	3,737	.....	516	417	643	1,531	2,219
Other Articles.....	.....	.....	.....	8,179	2,367	5,338	7,600	6,474	2,778	2,772
Total.....	503,860	596,749	668,076	623,448	540,050	622,558	511,990	455,022	406,567	438,889
Increase } per cent. as compared with 1869.	{	18.43	32.59	23.73	7.18	23.55	1.61	9.60	19.3	12.89
Decrease }	{	.....	.....	.....	.....	.....	.....	.....	.....	.....
<b>HEAVY GOODS.</b>										
Railway Iron.....	68,064	60,110	62,720	41,167	18,815	4,702	5,962	1,523	3,767	5,978
Other Iron.....	16,974	20,433	24,676	19,677	17,518	18,374	10,428	7,382	6,280	11,829
Salt.....	91,575	83,289	92,262	47,766	40,721	44,264	19,198	17,437	23,188	9,372
Iron and Salt having paid full toll on St. Lawrence Canals.....	37,153	37,138	39,062	53,691	55,302	32,435	21,814	24,154	28,580	12,698
Coal.....	103,126	98,472	125,119	136,480	245,622	372,979	268,659	328,403	324,785	297,898
Ores.....	58,781	67,334	53,624	57,615	92,069	69,816	42,896	34,563	22,387	35,752
Total.....	375,623	366,776	397,453	356,396	470,047	542,569	369,957	411,472	405,987	373,467
Increase } per cent. as compared with 1869.	{	2.35	6.81	5.11	25.113	44.44	1.52	9.64	7.47	0.57
Decrease }	{	.....	.....	.....	.....	.....	.....	.....	.....	.....



E.—TABLE showing the Tonnage of the undermentioned Articles cleared at Buffalo and Tonawanda for transit through the Erie Canal for a series of Ten Years ended 30th June, 1878.

	1869. Tons.	1870. Tons.	1871. Tons.	1872. Tons.	1873. Tons.	1874. Tons.	1875. Tons.	1876. Tons.	1877. Tons.	1878. Tons.
<b>VEGETABLE FOOD.</b>										
Flour.....	5,609	8,268	5,607	330,032	6	.....	5,859	231	1,710	987
Wheat.....	490,304	502,168	570,849	57,865	737,167	650,161	695,315	377,317	398,416	775,953
Corn.....	219,874	165,577	579,709	866,169	611,675	459,728	273,006	256,064	709,723	718,714
Barley.....	1,978	19,944	19,810	41,515	8,636	3,192	1,156	6,335	26,351	21,665
Oats.....	63,728	89,156	106,391	73,572	51,615	44,079	36,609	26,488	54,559	68,256
Rye.....	2,150	10,593	27,622	5,900	24,441	112	2,242	12,205	27,366	51,064
Other Articles.....	2,193	6,906	5,705	88	634	237	3,372	4,691	4,976	6,662
Total.....	786,436	802,592	1,315,693	1,317,276	1,432,174	1,157,509	1,017,559	783,331	1,223,100	1,614,301
Increase } per cent. as compared with 1869	.....	2.05	67.29	67.50	82.10	47.18	29.38	.....	55.52	109.08
Decrease } .....	.....	.....	.....	.....	.....	.....	.....	0.39	.....	.....

Supplement to the above showing the Shipments at Oswego during the same period.

Flour.....	7,361	11,440	10,043	4,773	4,061	.....	1,728	967	855	1,394
Wheat.....	141,360	116,732	123,173	57,865	63,361	108,288	32,690	21,890	28,355	24,171
Corn.....	28,585	70,120	70,218	27,148	10,578	46,127	3,034	1,324	3,308	1,383
Barley.....	66,794	77,906	72,675	62,172	46,337	77,007	75,083	63,336	80,306	50,381
Oats.....	1,113	3,983	1,806	684	670	1,103	3,308	.....	316	.....
Rye.....	8,169	7,402	6,250	6,781	6,019	7,083	4,989	5,703	6,603	10,698
Other Articles.....	14,033	11,628	13,259	10,425	10,739	3,747	5,931	6,638	6,556	5,222
Total.....	267,815	238,181	297,424	169,818	131,765	243,325	126,763	89,975	126,899	83,149
Increase } per cent. as compared with 1869	.....	.....	11.05	.....	.....	9.14	53.67	.....	.....	.....
Decrease } .....	.....	11.06	.....	36.59	50.80	.....	.....	63.67	.....	65.21

F.—TABLE showing the Tonnage of the undermentioned Articles cleared downwards at Port Colborne during a series of Ten Years ended 30th June, 1878.

	1869.	1870.	1871.	1872.	1873.	1874.	1875.	1876.	1877.	1878.
	Tons.	Tons.	Tons.	Tons.	Tons.	Tons.	Tons.	Tons.	Tons.	Tons.
<b>VEGETABLE FOOD.</b>										
Flour.....	44,110	41,694	45,867	27,138	29,775	29,358	17,645	16,759	14,928	11,060
Wheat.....	310,090	428,749	418,917	290,859	292,148	370,091	333,903	254,898	175,018	234,577
Corn.....	118,541	83,418	163,104	282,643	194,850	197,873	127,865	119,234	169,233	166,780
Barley.....	3,920	6,500	7,366	8,543	2,985	2,147	377	813	5,426	6,486
Oats.....	680	757	804	7,561	3,287	3,019	4,191	14,553	13,066	2,810
Rye.....	1,541	1,081	3,635	3,695	.....	3	.....	643	1,497	2,219
Other Articles.....	.....	.....	.....	7,175	2,166	3,425	3,100	5,285	2,076	2,606
<b>Total.....</b>	<b>479,882</b>	<b>562,199</b>	<b>639,693</b>	<b>607,614</b>	<b>525,261</b>	<b>605,916</b>	<b>486,881</b>	<b>411,115</b>	<b>381,244</b>	<b>426,468</b>
Increase } per cent. as compared with 1869	{	17.15	33.3	26.61	9.45	26.26	1.45	.....	.....	.....
Decrease }	{	.....	.....	.....	.....	.....	.....	14.33	25.87	11.12



H.—TABLE showing the Tonnage of Vegetable Food carried on each of the Lines of Canals, and on the two Principal Railways competing for the Carrying Trade between Lake Erie and Tidewater, for a series of Ten Years ended 30th June, 1878.

	1869.	1870.	1871.	1872.	1873.	1874.	1875.	1876.	1877.	1878.
	Tons.	Tons.	Tons.	Tons.	Tons.	Tons.	Tons.	Tons.	Tons.	Tons.
Total on New York Canals.....	1,302,613	1,295,010	1,850,198	1,674,320	1,745,171	1,767,598	1,305,550	1,064,293	1,408,984	1,912,734
Increase } per cent. as compared with 1869... {	.....	.....	42 03	28 53	33 97	35 69	0 22	18 29	15 07	46 83
Total on Welland Canal.....	503,860	598,749	668,076	623,448	540,050	622,558	511,990	455,022	406,567	438,889
Increase } per cent. as compared with 1869... {	.....	18 43	32 59	23 73	7 18	23 55	1 61	9 69	19 03	12 89
Total on New York Central and Erie Railways.	1,087,809	1,766,457	2,205,569	1,870,614	2,036,992	2,791,517	2,343,241	2,875,803	2,493,683	3,695,764
Increase } per cent. as compared with 1869... {	.....	62 36	102 75	71 96	87 25	156 62	115 04	165 40	129 23	239 74
Quantity cleared at Buffalo and Tonawanda by Erie Canal.....	786,436	802,592	1,315,693	1,317,276	1,432,174	1,167,509	1,017,559	783,331	1,223,100	1,644,301
Increase } per cent. as compared with 1869... {	.....	2 05	67 29	67 50	82 01	47 18	29 38	0 39	55 52	109 08
Quantity cleared at Oswego by Canal.....	267,815	238,181	297,424	169,818	131,765	243,325	126,763	99,975	126,899	93,149
Increase } per cent. as compared with 1869... {	.....	11 06	11 06	36 59	50 08	9 14	52 71	62 67	52 61	65 21
Quantity cleared through the Welland Canal in transit through ports in the United States...	337,550	337,384	364,565	316,619	236,743	280,114	291,473	181,865	169,836	161,117
Increase } per cent. as compared with 1869... {	.....	0 04	13 94	6 19	29 86	14 04	13 65	46 11	49 68	52 26

I 1.—COMPARATIVE STATEMENT for Years

	January.	February.	March.	April.	May.
	\$ cts.	\$ cts.	\$ cts.	\$ cts.	\$ cts.
Welland Canal, 1877.....			636 30	7,323 43	32,960 37
do 1878.....			0 36	403 20	26,172 07
Increase.....					
Decrease.....			635 94	6,920 23	6,788 30
St. Lawrence Canals, 1877.....					8,377 26
do 1878.....				603 18	13,271 64
Increase.....				603 18	4,894 38
Decrease.....					
Chambly Canal, 1877.....				33 55	3,041 35
do 1878.....				29 00	1,685 04
Increase.....					
Decrease.....				4 55	1,356 31
Rideau Canal, 1877.....				2 75	947 20
do 1878.....	12 00				837 08
Increase.....	12 00				
Decrease.....				2 75	110 12
Ottawa Canals, 1877.....				19 97	5,412 21
do 1878.....				31 16	5,931 13
Increase.....				11 19	518 92
Decrease.....					
Burlington Bay Canal, 1877.....				82 97	525 62
do 1878.....			3 72	39 29	529 94
Increase.....			3 72		4 32
Decrease.....				43 68	
St. Peter's Canal, 1877.....					
do 1878.....					
Increase.....					
Decrease.....					
Newcastle District Canals, 1877.....				3 50	49 82
do 1878.....			1 09	12 78	25 30
Increase.....			1 09	9 28	
Decrease.....					24 62
Total Increase.....	12 00				
Total Decrease.....			631 13	6,347 56	2,861 13

REVENUE.

ended 31st December, 1877 and 1878.

June.	July.	August.	September.	October.	November.	December.	Total.
\$ cts.	\$ cts.	\$ cts.	\$ cts.	\$ cts.	\$ cts.	\$ cts.	\$ cts.
31,905 35	31,717 19	32,484 14	38,105 12	31,618 94	26,858 18	1,010 68	234,619 70
29,149 09	31,916 17	35,920 85	28,828 58	26,321 36	17,125 86	823 13	196,660 67
	198 98	3,436 71					
2,756 26			9,276 54	5,297 58	9,732 32	187 55	37,959 03
10,888 77	8,591 03	8,677 44	11,283 28	15,350 64	8,752 08	87 44	72,007 94
11,132 65	11,115 61	9,766 73	10,250 70	11,360 63	6,314 40	183 54	73,999 08
243 88	2,524 58	1,089 29				96 10	1,991 14
			1,032 58	3,990 01	2,437 68		
2,723 88	3,313 91	2,441 38	2,339 18	3,317 06	1,790 66		19,000 97
2,166 19	2,367 12	2,246 62	1,965 42	2,967 21	2,042 84	16 69	15,486 13
					252 18	16 69	
557 69	946 79	194 76	373 76	349 85			3,514 84
843 74	773 00	962 45	646 15	597 26	350 64	12 68	5,135 87
918 18	844 70	716 58	505 08	613 25	385 50	19 30	4,851 67
74 44	71 70			15 99	34 86	6 62	
		245 87	141 07				284 20
8,523 93	6,666 65	7,407 65	5,590 04	5,345 17	2,766 13	0 42	41,732 17
5,752 34	6,563 97	6,359 09	5,599 77	5,314 22	3,102 70	4 19	38,658 57
			9 73		336 57	3 77	
2,771 59	102 68	1,048 56		30 95			3,073 60
624 41	639 32	614 81	559 56	463 13	310 54	11 81	3,832 17
654 73	692 95	746 68	501 01	467 00	295 27	5 69	3,936 28
30 32	53 63	131 87		3 87			104 11
			58 55		15 27	6 12	
77 55	28 58	55 60	63 33	13 81	22 35		314 04
51 89	24 85	7 75	4 80	20 31	3 57		152 34
				6 50			
25 66	3 73	47 85	58 53		18 78		161 70
5,762 56	1,795 69	3,120 83	10,931 30	9,642 03	11,580 44	70 49	42,898 12

Total for Year 1877..... \$376,442 86  
do 1878..... 333,744 74



	1877	1878	1877	1878	1877	1878	1877	1878	1877	1878	1877	1878	1877	1878	1877	1878
Burlington Bay Canal	1,278	1,278	2,128	2,128	2,146	2,146	1,348	1,348	1,744	1,744	1,463	1,463	10,107	10,107	11,504	11,504
Increase, 1878	849	849	4,343	4,343	1,518	1,518	1,348	1,348	107	107	822	822	1,397	1,397		
Decrease, 1878																
St. Peter's Canal																
Increase, 1878																
Decrease, 1878																
Newcastle District Canals																
Increase, 1878																
Decrease, 1878																
Total Increase	6,381	6,381	85,813	85,813	51,764	51,764	2,762	2,762	20,569	20,569	100,900	100,900	140,924	140,924		
Total Decrease																
Total for 1877																
Total for 1878																

Total for 1877  
Total for 1878

1,465,058  
1,324,128



XX



---

---

CANAL STATISTICS

FOR

SEASON OF NAVIGATION,

1878.

---

---

SUPPLEMENTARY APPENDIX A

No. (A.) 21.—GENERAL STATEMENT showing the Quantity of each Article transported through the Welland Canal, and the Amount of Revenue collected during the Season of Navigation in 1878.

Articles.	From Canadian to Canadian Ports.		From Canadian to United States Ports.		From United States to United States Ports.		From United States to Canadian Ports.		Tons.		Total Tons.	Amount of Tolls. \$ cts.
	Up.	Down.	Up.	Down.	Up.	Down.	Up.	Down.	Up.	Down.		
Ashes, Pot and Pearl.....					26			8	26	62	88	18 40
Apples.....		54			141				141	763	903	108 51
Agricultural Products not enumerated.....		754										
meraiéd, Vegetable.....		328		10	45	5			55	983	1,038	68 60
Agricultural Products not enumerated, Animal.....	40	10			32	2			40	12	52	1 65
Agricultural Implements.....	6	3			739	4			38	7	45	15 90
Barley.....			9,023		70	120	1,097		9,762	1,217	10,979	2,174 80
Bricks.....	158				70		40		228	49	277	42 25
Bones.....					16	296			16	296	296	59 20
Baggage.....					7				21	1	17	6 80
Beer.....			14		9	57			9	57	78	31 20
Brimstone.....					506				529		9	3 60
Cement and Water Lime.....	2		17		44				4		529	104 95
Clay, Lime and Sand.....	50	735	54		145,639	4,944			54	148	937	114 40
Coal.....	118				3	60,026	7,859		153,616	141,702	285,318	57,855 98
Corn.....										185,931	185,931	37,185 45
Cattle.....									3		3	0 60
Cotton, Raw.....					40	3			40	3	43	17 20
Coffee.....					21				29		29	10 00
Crockery.....	8				834				834		834	333 60
Dye Wood and Dye Stuffs.....					48				56	1	57	23 10
Earthenware.....	3		5		849				1,598	1	1,599	246 22
Fish.....	368		381		1,710				1,731		1,731	346 20
Flax and Hemp.....			21						267	8,854	9,121	518 25
Flour.....	267	7,210			74	1,316	328		76	95	171	68 35
Furniture.....	1		1		90		5		1	770	771	89 00
Gypsum.....		369			8				31		31	12 40
Glass, Window.....	20		8		38	85			51		137	54 80
Gleawere.....	6		7							86		



SUPPLEMENTARY APPENDIX A.—Continued.  
 No. 21.—GENERAL STATEMENT showing the Quantity of each Article transported, &c.—Concluded.

Articles.	From Canadian to Canadian Ports.		From Canadian to United States Ports.		From United States to United States Ports.		From United States to Canadian Ports.		Tons.		Total Tons.	Amount of Tolls. \$ cts.
	Up.	Down.	Up.	Down.	Up.	Down.	Up.	Down.	Up.	Down.		
Wool.....	1			72					1	72	73	14 60
All other Goods and Merchandise, not enumerated.....	780	104	256		11,102	462	2	42	12,140	608	12,748	4,834 05
Bark.....	217		90		128	25		23	435	48	483	90 82
Barrels, Empty.....			34						34		34	6 84
Boat Keels.....												
Floats.....	3,413	42,624	2,130	600					5,543	43,224	48,767	2,155 89
Firewood, in Vessels.....												
do, in Rafts.....												
Hoops.....												
Hop Poles.....												
Lumber, Sawn, in Vessels.....	7,271	4,948	62			26,452		6,096	7,333	37,496	44,839	6,652 97
do, in Rafts.....		13								13	13	2 40
Masts, Spars, and Telegraph Poles, in Vessels.....												
do, in Rafts.....												
Masts, Spars, and Telegraph Poles, in Vessels.....												
do, in Rafts.....	9	44							9	44	53	6 62
Railway Ties, in Vessels.....												
do, in Rafts.....												
Saw Logs.....		1,848		78			269	473	269	2,389	2,658	120 27
Staves and Headings, Barrel.....		50							50	50	50	7 00
do, Pipe.....		335		288				1,150	120	2,133	2,253	421 72
do, West India.....		124		310				1,210		1,692	1,692	303 32
Staves, Salt barrel.....												
Shingles.....	33	16							36	50	85	27 68
Split Posts and Fence Rails, in Vessels.....												
do, in Rafts.....												
Split Posts and Fence Rails, in Rafts.....												
Timber, Square, in Vessels.....		4,910		689				51,442		60,521	60,521	9,064 28
do, in Rafts.....		98						3,602		3,740	3,740	825 98

	10	112	250	213	59	250	189	250	0 69
Travellers.....									
Woodenware and Wood partly manufactured.....	19,357	92,950	3,742	206,432	167,306	8,329	437,023	255,031	174,706 83
Total Freight paying Tolls...									
Iron, Iron Ore, &c., having paid full Toll on the St. Lawrence, Chambly and Rideau Canals, Free.....	5,395							12,706	12,706
Timber passed Free from Welland to Port Robinson.....		7,211							
Grand Total, Freight.....	23,752	92,950	3,742	206,432	167,306	8,329	437,023	267,737	963,758
Total Tolls on Vessels.....									20,917 34
do Passengers.....									414 09
do Free Goods.....									623 41
Fines, Damages and other Receipts.....									196,660 67
Total Revenue, exclusive of Hydraulic Rents.....									

A. BRUNEL,  
*Commissioner.*

INLAND REVENUE DEPARTMENT,  
OTTAWA, 31st December, 1878.

SUPPLEMENTARY APPENDIX A.—Continued.

No. (A) 22.—GENERAL STATEMENT showing the Quantity of each Article transported through the St. Lawrence Canals, and the Amount of Revenue collected during the Season of Navigation in 1878.

Articles.	From Canadian to Canadian Ports.		From Canadian to United States Ports.		From United States to United States Ports.		From United States to Canadian Ports.		Tons.		Total Tons.	Amount of Tolls. \$ cts
	Up.	Down.	Up.	Down.	Up.	Down.	Up.	Down.	Up.	Down.		
Ashes, Pot and Pearl.....		737			7				157	1,056	1,213	205 75
Apples.....	151	8,391	2	23	23		24	2,350	201	10,769	10,970	1,615 77
Agricultural Products not enumerated, Vegetable.....	703	2,254	6	49					709	2,303	3,012	268 72
Agricultural Products not enumerated, Animal.....	237	1,862	2				5		239	1,867	2,106	270 57
Agricultural Implements.....	229	1,103							229	1,03	332	32 65
Barley.....	1,924	5,360							1,924	5,863	7,787	580 14
Bricks.....	2,999	3,105	20				69	615	3,078	720	3,798	255 30
Bones.....	30	10				129			187	30	187	23 33
Bone.....	363	600							363	600	963	162 93
Beer.....	226	138	17						243	138	381	56 72
Brimstone.....	593		10						603	1,552	2,155	207 32
Cement and Water Lime.....	1,858	854	33				1,366	646	3,257	1,400	4,657	228 31
Clay, Lime and Sand.....	7	16,583		4			15	31,507	22	48,496	48,518	6,831 06
Coal.....	160	50,928		9					160	50,937	51,097	7,117 66
Corn.....	100	919							100	919	1,019	1,67 17
Cattle.....	40	7							40	7	47	2 55
Cotton, Raw.....	10								10		10	2 00
Coffee.....	636	6							636	6	642	118 73
Crockery.....	7	1					101		108	1	109	6 64
Dye Woods and Dye Stuffs.....	523	169	7				3		533		533	101 61
Earthenware.....	824	169	52						876	169	1,045	125 82
Fish.....	50	2							50	2	52	2 02
Flax and Hemp.....	1,238	9,336	3					85	1,238	9,421	10,659	1,473 66
Flour.....	296	75							298	75	373	34 58
Furniture.....	1,583	193	1						1,584	193	1,777	70 39
Gypsum.....	1,066	16	7						1,073	16	1,089	212 00
Glass, Window.....	186	476	8				21		215	476	691	132 66

	1,367	69	1,357	69	1,426	79 37
Hay, Pressed	2	81	2	2	91	79 37
Hogs	193	478	200	478	678	7 59
Horses	30	229	30	229	259	54 34
Hides and Skins, Horns and Hoofs						29 98
Ice	7,708	385	8,093	1,790	9,083	1,480 34
Iron, Railway	12,759	1,427	14,186	14,186	14,213	1,913 82
" Pig	4,377	209	4,652	68	106	1,413 54
" All other						
Iron Ore						
Kryolite or Chemical Ore, and other Ore, except Iron	1	4,191	1	4,191	4,192	209 60
Lard and Lard Oil	52	26	54	26	80	9 29
Meals, all kinds	145	501	145	501	615	44 35
Meats, other than Pork	26	91	26	91	117	16 67
Marble	69	1	79	1	80	13 97
Manilla	39	23	50	23	73	13 85
Molasses	761	11	3,730	11	3,730	271 08
Nails	2,896	62	3,452	62	3,486	869 79
Oats	1,811	7,545	1,931	7,549	9,360	618 96
Oil, in Barrels	992	283	1,328	285	1,613	191 39
Oil Cake		4		4		0 60
Pease	1,743	36,593	1,713	36,593	38,336	3,180 17
Potatoes	449	573	481	573	1,054	82 41
Pork	558	184	558	188	746	63 82
Palet	268	13	343	13	356	64 02
Pitch and Tar	150	96	1,441	108	1,441	95 99
Rags	873	129	1,032	129	1,161	177 79
Rye		1,046		1,046	1,046	156 90
Rosin	62	70	1,287	70	1,357	77 15
Salt	9,275	6	12,943	139	13,082	1,682 93
Stone, intended for Cutting	110	624	400	851	1,251	85 23
" Wrought	75	55	132	178	310	45 45
" not suitable for Cutting, unwrought						
Seeds, all kinds	218	1,374	218	1,374	1,592	39 00
Sheep	26	404	41	96	137	14 68
Soda Ash	696	43	915	43	958	30 18
Steel	62	2	62	2	64	12 54
Sugar	1,734	13	1,768	13	1,768	302 70
Spirits	767	91	868	91	959	173 63
Tobacco, Raw	5		9	2	11	0 71
Tallow		50		50	50	7 50
Tin	462	21	465	21	486	93 09
Turpentine	2		473		473	23 95
Vinegar	37	249	38	249	287	66 55
Wheat	674	67,744	674	67,762	68,436	8,931 13
White Lead	41	16	41	16	57	10 59
Whiting	88	20	88	20	108	18 37

SUPPLEMENTARY APPENDIX A.—Continued.  
 No. 22.—GENERAL STATEMENT showing the Quantity of each Article transported, &c.—Continued.

Articles.	From Canadian to Canadian Ports.		From Canadian to United States Ports.		From United States to United States Ports.		From United States to Canadian Ports.		Tons.		Total Tons.	Amount of Tolls. \$ cts.
	Up.	Down.	Up.	Down.	Up.	Down.	Up.	Down.	Up.	Down.		
Wool.....	127	1							127	1	128	6 89
All other Goods and Merchandise not enumerated.....	8,730	1,985	328		496	716	27		9,806	2,738	12,544	1,915 21
Bark.....	12	41							12	41	53	4 94
Barrels, Empty.....	366	436	208						574	436	1,010	138 02
Boat Knees.....												
Floats.....		3,884								3,884	3,884	67 97
Firewood, in Vessels.....	9,630	37,422	531	30	36	81			10,197	37,533	47,730	1,157 21
"    Rafts.....		192								192	192	4 00
Hoops.....		57			2				2	57	59	4 15
Hop Poles.....	5	284							289		289	9 25
Lumber, Saw, in Vessels.....	15,257	13,570	59	1,911	4				15,320	16,418	31,738	1,574 90
do    in Rafts.....		8,770								8,770	8,770	394 60
Masts, Spars and Telegraph Poles, in Vessels.....												
Masts, Spars and Telegraph Poles, in rafts.....												
Railway Ties, in Vessels.....	269	169	756						1,025	169	1,194	39 91
do    in Rafts.....												
Saw Logs.....	289	8,444							289	8,444	8,733	203 05
Staves and Headings, Barrel do Pipe.....	7	240							7	240	247	18 20
do    West Indies.....	48	814							48	814	862	93 69
Staves, Salt Barrel.....	134	18	13						147	18	165	28 38
Shingles.....												
Split Posts and Fence Rails, in Vessels.....												
Split Posts and Fence Rails, in Rafts.....												
Timber, square, in Vessels.....	900	2							900	2	2,493	125 14
do    in Rafts.....		1,593								1,593	12,516	395 06



	191	7,828	2,934	598	996	8,515	38,523	3	191	7,828	7,828	20 37
Travellers.....												101 75
Woodware and Wood partly manufactured.....												49,544 46
Total Freight paying Tolls	103,616	335,850	9,253									
Barley having paid full Toll on the Welland Canal, Free.....		1,045								1,045		
Corn do do		117,720					3,063			120,782		
Flour do do		5,040	178							5,218		
Oats do do		2,358								2,358		
Peas do do		891								891		
Petroleum do do							237			237		
Wheat do do		108,435					3,099			111,534		
Coal, Free, as per Order in Council	21,771		35			38,387			60,193			
Iron, Pig, Free, as per Order in Council.....												
Iron, all other, Free, as per Order in Council.....												
Iron Ore, having paid full Toll on the Chamby Canal, Free.....												
Kryolite, Free.....		2,207								2,207		
Grand Total Freight.....	125,397	573,546	9,283	598	996	46,902	44,931		182,185	622,575	804,760	
Total Tolls on Vessels.....												14,009 05
do Passengers.....												3,127 01
do Free Goods.....												\$39,363 42
Fines and Damages.....												722 25
Wharfage and Storage.....												5,646 75
Winterage, Basin Dues and other Receipts.....												949 56
Total Revenue, exclusive of Hydraulic Rents.....												73,999 08

A. BRUNEL,  
Commissioner.

INLAND REVENUE DEPARTMENT,  
OTTAWA, 31st December, 1878.

SUPPLEMENTARY APPENDIX A.—Continued.

No. (A) 23.—GENERAL STATEMENT showing the Quantity of each Article transported through the Burlington Bay Canal, and the amount of Revenue collected, during the Season of Navigation in 1878.

Articles.	From Canadian to Canadian Ports.		From Canadian to United States Ports.		From United States to United States Ports.		From United States to Canadian Ports.		Tons.		Total Tons.	Amount of Tolls. \$ cts.
	Up.	Down.	Up.	Down.	Up.	Down.	Up.	Down.	Up.	Down.		
Ashes, Pot and Pearl	28	313		480					28	823	851	
Apples		1,356								1,356	1,356	
Agricultural Products not enumerated, Vegetable	99	13		480					99	493	592	
Agricultural Products not enumerated, Animal	106	19							106	19	125	
Agricultural Implements	2	46							2	46	48	
Barley	218	73		555					218	9	227	
Bricks				9								
Bones	57	53							57	53	110	
Baggage	42								42		42	
Beer												
Brimstone												
Cement and Water Lime	28	15										
Clay, Lime and Sand	250								692	15	735	
Coal									40,390		40,640	
Corn												
Cattle		5								5	5	
Cotton, Raw	10	3							4		4	
Crocery	30								10	3	13	
Dye Wood and Dye Stuffs	173								30		30	
Earthenware	165	5							165	5	173	
Fish												
Flax and Hemp	24	2,103							24	2,103	2,127	
Flour	8	4							8	4	12	
Furniture												
Gypsum	417	23							417	23	440	
Glass, Window		548										
Glassware	410							10	420	548	968	



SUPPLEMENTARY APPENDIX A.—Continued.

No. (A.) 23.—GENERAL STATEMENT showing the Quantity of each Article transported through the Burlington Bay Canal, &c.—Concluded.

Articles	From Canadian to Canadian Ports.		From Canadian to United States Ports.		From United States to United States Ports.		From United States to Canadian Ports.		Tons.		Total Tons.	Amount of Tolls. \$ cts
	Up.	Down.	Up.	Down.	Up.	Down.	Up.	Down.	Up.	Down.		
Wool.....	6	11							6	11	17	
All other Goods and Merchandise, not enumerated.....	3,400	857					235		3,635	857	4,492	
Bark.....	72	1							72	1	73	
Barrels, Empty.....												
Boat Knees.....												
Floats.....												
Firewood, in Vessels.....	315								315		315	
do Rafts.....												
Hoops.....												
Hop poles.....												
Lumber, Sawn, in Vessels.....	499	142							499	142	641	
do Rafts.....												
Masts Spars and Telegraph Poles, in Vessels.....												
Masts, Spars and Telegraph Poles, in Rafts.....												
Railway Ties, in Vessels.....												
do Rafts.....												
Saw Logs, in Rafts.....		18								18	18	
Staves and Heading, Barrel.....		48								48	48	
do Pipe.....		55								55	55	
do West India.....												
Shingles, West India.....												
Split Posts and Fence Rails, in Vessels.....												
do Rafts.....												
Split Posts and Fence Rails, in Rafts.....												
Timber, Square, in Vessels.....		340								340	340	
do Rafts.....		1,540								1,540	1,540	



SUPPLEMENTARY APPENDIX A.—Continued.

No. (A) 24.—GENERAL STATEMENT showing the Quantity of each Article transported through the Ottawa Canals, and the Amount of Revenue collected, during the Season of Navigation in 1878.

Articles.	From Canadian to Canadian Ports.		From Canadian to United States Ports.		From United States to United States Ports.		From United States to Canadian Ports.		Tons.		Total Tons.	Amount of Tolls.
	Up.	Down.	Up.	Down.	Up.	Down.	Up.	Down.	Up.	Down.		
Ashes, Pot and Pearl.....												\$ cts.
Apples.....		50									50	6 77
Agricultural Products not enumerated, Vegetable.....		16									16	1 10
Agricultural Products not enumerated, Animal.....											89	6 67
Agricultural Implements.....		464									464	31 00
Bailey.....	1	32							1		33	3 70
Bricks.....	500	31							300		885	55 35
Bones.....		66		60							31	19 39
Baggage.....	1	48							1		126	11 52
Beer.....	32	2							32		49	4 85
Brimstone.....											2	1 98
Cement and Water Lime.....		16									16	1 49
Clay, Lime and Sand.....		2,606									2,606	78 18
Coal.....											1	0 07
Corn.....	7	1							7		377	26 29
Cattle.....		377										
Cotton, Raw.....												
Coffee.....												
Crockery.....												
Dye Wood and Dye Stuffs.....												
Earthenware.....												
Fish.....		33									33	2 54
Flax and Hemp.....												
Flour.....	17	8							17		8	1 19
Furniture.....	11	27							11		27	3 89
Gypsum.....		25									25	2 32
Glass, Window.....												
Glassware.....												

	201	201	14 26
Hay, Pressed	201	201	14 26
Horses	124	124	8 61
Hides and Skins, Horns and Hoofs	360	360	23 03
Ice	22	22	2 03
Iron, Railway	1	1	0 07
do Pig	6	6	0 42
do all other	32	32	8 05
Iron Ore	3,927	3,927	196 35
Kryolite or Chemical Ore, and other Ore, except Iron	1,501	1,501	138 64
Lard and Lard Oil	2	2	0 14
Meats, all kinds	1,481	1,481	103 46
Marble	467	467	
Manilla			
Molasses			
Nails			
Oats	1,481	1,481	103 46
Oil, in barrels	467	467	
Oil Cake			
Pease	5,329	5,329	345 48
Potatoes	225	225	16 91
Pork	5	5	0 35
Paint	134	134	25 15
Pitch and Tar	31	31	5 05
Rags			
Rye			
Rosin			
Salt			
Stone intended for Cutting			
do wrought			
do not suitable for Cutting, unwrought			
Seeds, all kinds	4	4	0 33
Sheep	344	344	23 54
Soda Ash			
Steel	5	5	0 94
Sugar			
Spirits			
Tobacco, Raw			
Tallow			
Tin			
Turpentine			
Vinegar			
Wheat	39	39	3 39
White Lead			
Whiting			

SUPPLEMENTARY APPENDIX A.—Continued.  
 No. (A) 24—GENERAL STATEMENT showing the Quantity of each Article transported, &c.—Concluded.

Articles.	From Canadian to Canadian Ports.		From Canadian to United States Ports.		From United States to United States Ports.		From United States to Canadian Ports.		Tons.		Total Tolls.	Amount of Tolls.
	Up.	Down.	Up.	Down.	Up.	Down.	Up.	Down.	Up.	Down.		
Wool.....		1							1		1	\$ 0 10
All other Goods and Merchandise not enumerated.....												
Bark.....	224	235							235	224	459	37 00
Barrels, Empty.....	2	93							93	2	95	6 28
Boat Knees.....												12 26
Fleats.....	20	3,264							20		3,284	30 84
Firewood, in Vessels.....	133,209	345							133,554		133,554	4,580 38
do Rafts.....	576	35							576		576	7 39
Hoops.....									35		35	3 60
Hop Poles.....												
Lumber, sawn, in Vessels.....	5	96,444							5		276,771	27,967 22
do Rafts.....		16,037									16,087	482 45
Masts, Spars and Telegraph Poles, in Vessels.....												
Masts, Spars and Telegraph Poles, in Rafts.....												
Railway Ties, in Vessels.....												
do Rafts.....	44								44		44	1 00
Saw Logs.....												0 38
Staves and Headings, Barrel.....	2								2		2	
do Pipe.....												
do West India.....												
Staves, Salt Barrel.....												
Shingles.....		335							335		335	81 81
Split Posts and Fence Rails, in Vessels.....												
Split Posts and Fence Rails, in Rafts.....	45								45		45	3 38
Timber, Square, in Vessels.....												
do Rafts.....	40	2,605							40	2,605	2,645	42 54



	705	705	705	705	705	2 98
Travellers	4	4	4	4	4	16 19
Woodenware and Wood partly manufactured	1,301	1,398	1,398	1,398	1,398	34,056 00
Total Freight paying Tolls	361	361	361	361	361	
Coal, Free, per Order in Council	190,727	190,727	190,727	190,727	190,727	
Grand Total Freight	1,662	1,756	1,756	1,756	1,756	
Total Tolls on Vessels						4,234 57
do Passengers						368 00
do Free Coal						\$17.06
Total Revenue exclusive of Hydraulic Rents						38,668 57

A. BRUNEL,  
Commissioner.

INLAND REVENUE OFFICE.  
OTTAWA, 31st December, 1878.

SUPPLEMENTARY APPENDIX A.—Continued.

No. (A) 25.—GENERAL STATEMENT showing the Quantity of each Article transported through the Chambly Canal, and the Amount of Revenue collected during the Season of Navigation in 1878.

Articles.	From Canadian to Canadian Ports.		From Canadian to United States Ports.		From United States to United States Ports.		From United States to Canadian Ports.		Total.		Total Tons.	Amount of Tolls. \$ cts.
	Up.	Down.	Up.	Down.	Up.	Down.	Up.	Down.	Up.	Down.		
Ashes, Pot and Pearl									979		979	97 90
Apples	10	78	979				1,464		10	1,542	1,552	151 90
Agricultural Products not enumerated, Vegetable	1,446	705					47		1,446	752	2,198	76 45
Agricultural Products not enumerated, Animal	12	151							12	151	163	5 44
Barley		5							5	5	5	0 37
Bricks	183	751	3,539						3,539	751	4,290	340 93
Bones							103		183	103	286	16 40
Baggage			683				3		683	3	686	66 47
Beer												
Brimstone												
Cement and Water Lime												
Clay, Lime and Sand	561								561	1,292	1,853	169 37
Coal	132						1,292			68,400	68,400	6,815 11
Corn												
Cattle		95								95	95	3 17
Cotton, Raw												
Coffee										9	9	0 90
Crockery												
Dye Wood and Dye Stuffs										70	70	7 00
Earthenware												
Fish		1								1	1	0 10
Flax and Hemp										118	118	11 80
Flour										6	6	3 80
Furniture	104								104		110	0 60
Gypsum										4	4	
Glass, Window												
Glassware										21	21	2 10

Item	257	168	474	731	168	809	64 98
Hay, Pressed.....							
Hogs.....		106			106	106	3 54
Horses.....			113			113	11 30
Hides and Skins, Horns and Hoofs.....							
Ice.....	213			31	31	244	9 18
Iron, Railway.....							
do all other.....				798	798	798	79 80
do do all other.....							
Iron Ore.....							
Kryolite or Chemical Ore, and other Ore, except Iron.....	8	1,202		8	1,202	1,210	79 56
Lard and Lard Oil.....							
Meals, all kinds.....							
Meats, other than Pork.....				85	85	85	22 92
Marble.....							
Manilla.....							
Molasses.....				3,112	3,112	3,112	311 20
Nails.....							
Oats.....	43	2,716			2,716	2,759	142 61
Oil, in Barrels.....				314	314	314	31 40
Oil Cake.....							
Pease.....	2,133				2,133	2,133	74 56
Potatoes.....	6	6		691	6	697	69 70
Pork.....							
Paint.....							
Pitch and Tar.....							
Rags.....			10				
Rye.....							
Rosin.....							
Salt.....	729						
Stone, intended for Cutting.....							
do wrought.....							
do not suitable for Cutting, unwrought.....							
Seeds, all kinds.....							
Sheep.....	3	219		3	219	222	7 40
Sods Ash.....							
Steel.....				45	45	45	3 00
Sugar.....							
Spirits.....							
Tobacco, Raw.....							
Tallow.....							
Tin.....							
Turpentine.....							
Vinegar.....							
Wheat.....							
White Lead.....							
Whiting.....							

SUPPLEMENTARY APPENDIX A.—Continued.

NO. (A) 25.—GENERAL STATEMENT showing the Quantity of each Article transported through the Chambly Canal, &c.—Continued.

Articles.	From Canadian to Canadian Ports.		From Canadian to United States Ports.		From United States to United States Ports.		From United States to Canadian Ports.		Tons.		Total Tons.	Amount of Tolls. \$ cts.
	Up.	Down.	Up.	Down.	Up.	Down.	Up.	Down.	Up.	Down.		
Wool.....												
All other Goods and Merchandise, not enumerated.....	10	20	499				752		509	772	1,281	126 73
Bark.....									23	4	27	5 34
Barrels, Empty.....												
Boat Knees.....	110		4,680						4,990		4,990	295 00
Floats.....	163	1,200					312		162	1,512	1,674	28 97
Firewood, in Vessels.....												
do, in Rafts.....												
Hoops.....												
Hop Poles.....	2,272		47,070				23		49,312	248	49,590	2,903 43
Lumber, Sawn, in Vessels.....												
do, in Rafts.....												
Masts, Spars and Telegraph Poles, in Vessels.....												
Masts, Spars and Telegraph Poles, in Rafts.....												
Railway Ties, in Vessels.....												
do, in Rafts.....												
Saw Logs.....	13								13		13	0 50
Staves and Headings, Barrel.....												
do, Pipe.....												
do, West Indies.....												
Staves, Salt Barrel.....	8	3	7						15	3	18	7 84
Shingles.....												
Split Posts and Fence Rails, in Vessels.....	6								6		6	0 40
Split Posts and Fence Rails, in Rafts.....												
Timber, Square, in Vessel.....												

	140	140	140	140	140	2 50
<i>do</i> Tonnages						
Woodenware and Wood, partly manufactured						
Total Freight paying Tolls	6,215	9,926	59,023			
Coal and Flour, free, per Order in Council	752		116			
Grand Total Freight	6,967	9,926	59,139			
			80,650	65,238	90,576	155,314
			606	368	606	1,474
			81,256	66,106	91,182	157,288
Total Tolls on Vessels						2,775 69
do Passengers						105 85
do Free Coal and Flour						21 80
Wharfage and Storage						87 25
Fines and Damages						6 30
Other Receipts						
Total Revenue exclusive of Hydraulic Rents						15,486 13

INLAND REVENUE DEPARTMENT,  
 OTTAWA, 31st December, 1878.

A. BRUNEL,  
 Commissioner.

SUPPLEMENTARY APPENDIX A.—Continued.

No (A) 26.—GENERAL STATEMENT showing the Quantities of each Article transported through the Rideau Canal, and the Amount of Revenue collected, during the Season of Navigation in 1878.

ARTICLES.	From Canadian to Canadian Ports.		From Canadian to United States Ports.		From United States to United States Ports.		From United States to Canadian Ports.		Tons.		Total Tons.	Amount of Tolls. \$ cts.
	Up.	Down.	Up.	Down.	Up.	Down.	Up.	Down.	Up.	Down.		
	Ashes, Pot and Pearl.....	.....	62	.....	.....	.....	.....	.....	.....	.....		
Apples.....	19	3	.....	.....	.....	.....	.....	.....	19	3	0 59	
Agricultural Products not enumerated, Vegetable.....	234	.....	.....	.....	.....	.....	.....	.....	234	.....	7 10	
Agricultural Products not enumerated, Animal.....	608	1,138	.....	.....	.....	.....	.....	.....	608	1,138	114 61	
Agricultural Implements.....	8	79	.....	.....	.....	.....	.....	.....	8	79	11 60	
Barley.....	97	.....	.....	.....	.....	.....	.....	.....	97	.....	3 22	
Bricks.....	360	44	.....	.....	.....	.....	.....	.....	360	44	10 10	
Bones.....	.....	112	.....	.....	.....	.....	.....	.....	.....	112	20 91	
Baggage.....	6	3	.....	.....	.....	.....	.....	.....	6	3	0 81	
Beer.....	.....	3	.....	.....	.....	.....	.....	.....	.....	3	0 27	
Brimstone.....	.....	.....	.....	.....	.....	.....	.....	.....	.....	.....	.....	.....
Cement and Water Lime.....	47	20	.....	.....	.....	.....	.....	.....	47	20	1 77	
Clay, Lime and Sand.....	62	1	.....	.....	.....	.....	.....	.....	62	1	1 58	
Coal.....	1	1,749	.....	.....	.....	.....	.....	.....	1	1,749	69 76	
Corn.....	.....	87	.....	.....	.....	.....	.....	.....	.....	87	2 90	
Cattle.....	1	.....	.....	.....	.....	.....	.....	.....	1	.....	0 03	
Cotton, Raw.....	.....	.....	.....	.....	.....	.....	.....	.....	.....	.....	.....	.....
Coffee.....	.....	.....	.....	.....	.....	.....	.....	.....	.....	.....	.....	.....
Crockery.....	8	.....	.....	.....	.....	.....	.....	.....	8	.....	1 15	
Dye Wood and Dye Stuffs.....	.....	.....	.....	.....	.....	.....	.....	.....	.....	.....	.....	.....
Earthenware.....	10	1	.....	.....	.....	.....	.....	.....	10	1	0 97	
Fish.....	21	28	.....	.....	.....	.....	.....	.....	21	28	1 32	
Flax and Hemp.....	.....	.....	.....	.....	.....	.....	.....	.....	.....	.....	.....	.....
Flour.....	77	80	.....	.....	.....	.....	.....	.....	77	80	4 23	
Furniture.....	6	18	.....	.....	.....	.....	.....	.....	6	18	2 33	
Gypsum.....	29	51	.....	.....	.....	.....	.....	.....	29	51	4 79	
Glass, Window.....	16	.....	.....	.....	.....	.....	.....	.....	16	.....	1 52	
Glassware.....	2	3	.....	.....	.....	.....	.....	.....	2	3	0 45	

Hay, Pressed	3	17	4	3	17	4	4	0 12
Hogs	45	1	1	45	1	46	4	0 89
Horses	174	10	184	174	10	184	20	1 16
Hides and Skins, Horn and Hoofs	317	243	317	317	243	560	4	7 93
Ice								27 47
Iron, Railway	2,481	310	2,481	2,481	310	2,791	310	139 55
Iron Ore	14	4	14	14	4	18	4	0 61
other Ore, except Iron	240	240	240	240	240	240	240	6 04
Lard and Lard Oil	15	14	15	15	14	29	14	0 96
Meals, all kinds	9	9	9	9	9	9	9	0 80
Meats, other than Pork	12	12	12	12	12	12	12	1 08
Marble	53	2	53	53	2	65	2	4 92
Manilla	101	3	101	101	3	104	3	9 84
Molasses	13	13	13	13	13	13	13	0 33
Nails	5	5	5	5	5	57	5	7 70
Oats	107	64	107	107	64	171	64	0 03
Oil in Barrels	11	11	11	11	11	11	11	9 78
Oil Cake	64	31	64	64	31	95	31	0 30
Peas								2 42
Pork	170	22	170	170	22	170	170	14 88
Paint	5	5	5	5	5	5	5	5 20
Pitch and Tar	912	2	912	912	2	914	2	25 83
Rags	742	217	742	742	217	939	217	29 09
Rye	360	53	360	360	53	412	53	10 31
Robin								
Salt								
Stone, intended for Cutting								
do wrought								
do not suitable for Cutting								
do unwrought								
Seeds, all kinds	8	1	8	8	1	9	1	0 25
Sheep	4	4	4	4	4	4	4	0 35
Soda Ash	249	36	249	249	36	284	36	26 93
Steel	39	16	39	39	16	55	16	6 15
Sugar								
Spirits								
Tobacco, Raw								
Tallow	3	3	3	3	3	3	3	0 36
Tin	8	5	8	8	5	13	5	1 25
Turpentine	1	179	1	1	179	179	179	6 57
Vinegar								
Wheat	4	4	4	4	4	4	4	0 35
White Lead								
Whiting								

SUPPLEMENTARY APPENDIX A.—Continued.  
 No. (A.) 26.—GENERAL STATEMENT showing the Quantity of each Article transported through the Rideau Canal, &c.—Continued.

Articles.	From Canadian to Canadian Ports.		From Canadian to United States Ports.		From United States to United States Ports.		From United States to Canadian Ports.		Tons.		Total Tons.	Amount of Tolls. \$ cts.
	Up.	Down.	Up.	Down.	Up.	Down.	Up.	Down.	Up.	Down.		
Wool.....	24								24		24	0 67
All other Goods and Merchandise not enumerated.....	433	326							433	326	759	75 42
Bark.....	310								310		310	7 81
Barrels, Empty.....	93	9							93	9	102	4 49
Boat Knees.....	8,489	1,120							8,489	1,120	9,609	185 85
Floats.....	53,763	2,493							53,060	2,493	55,553	985 66
Firewood, in Vessels.....												
do in Rafts.....												
Hoops.....	106								106		106	15 00
Hop Poles.....	13,930	127							13,934	127	14,061	717 47
Lumber, Sawn, in Vessels.....	42								42		42	1 57
do in Rafts.....												
Masts, Spars and Telegraph Poles, in Vessels.....												
do in Rafts.....												
Masts, Spars and Telegraph Poles, in Rafts.....	3,054								3,054		3,054	218 51
Railway Ties, in Vessels.....	1,332								1,332		1,332	106 85
do in Rafts.....	341	244							341	244	585	16 38
Saw Logs.....	5	20							5	20	25	1 70
Staves and Headings, Barrel.....												
do do Pipe.....												
do do West India.....												
Staves, Salt Barrel.....	228	5							228	5	233	76 11
Shingles.....												
Split Posts and Fence Rails, in Vessels.....	156	1							156	1	157	24 11
do in Rafts.....	3								3		3	0 57



	23	23	23	23	23	23	23	23	0 50
Timber, Square, in Vessels.....	180	1,240	1,240	1,420	1,420	1,420	1,420	1,420	45 76
do in Rafts .....	5,704	1,570	1,570	7,274	7,274	7,274	7,274	7,274	65 39
Traverses.....	2	45	2	45	45	45	45	45	7 10
Woodenware and Wood partly manufactured.....	95,506	12,402	12,402	108,269	108,269	108,269	108,269	108,269	3,171 13
Total Freight paying Tolls...	1,670	1,670	1,670	1,670	1,670	1,670	1,670	1,670	
Coal, Free, per Order in Council...	97,176	12,402	12,402	109,939	109,939	109,939	109,939	109,939	
Grand Total Freight.....									
Total Tolls on Vessels.....									1,421 84
do Passengers.....									101 57
Fines and Damages.....									92 63
Wharfage and Storage.....									64 50
Other Receipts.....									
Free Coal.....									\$40 57
Total Revenue, exclusive of Hydraulic Rents.....									4,851 67

INLAND REVENUE DEPARTMENT,  
OTTAWA, 31st December, 1878.

A. BRUNEL,  
Commissioner.

SUPPLEMENTARY APPENDIX A.--Continued.

No. (A) 27.—GENERAL STATEMENT showing the Quantity of each Article transported through the St. Peter's Canal, and the Amount of Revenue collected, during the Season of Navigation in 1878.

Articles.	From Canadian to Canadian Ports.		From Canadian to United States Ports.		From United States to United States Ports.		From United States to Canadian Ports.		Tons.		Total Tons.	Amount of Tolls.
	Up.	Down.	Up.	Down.	Up.	Down.	Up.	Down.	Up.	Down.		
.....												
.....												
.....												
.....												

NOTE.—This canal being closed for enlargement, no business has been done on it during this year.

DEPARTMENT OF INLAND REVENUE,  
OTTAWA, 31st December, 1878.

A. BRUNEL,  
Commissioner.

*SUPPLEMENTARY APPENDIX A.—Continued*

No. (A) 28.—GENERAL STATEMENT showing the Quantity of each Article transported through the Newcastle District Canals, and the Amount of Revenue collected during the Season of Navigation in 1878.

Articles.	From Canadian to Canadian Ports.		From Canadian to United States.		From United States to United States.		From United States to Canadian Ports.		Tons.		Total Tons.	Amount of Tolls.
	Up.	Down.	Up.	Down.	Up.	Down.	Up.	Down.	Up.	Down.		
Bricks.....									64		64	\$ 1 60
Clay, Lime and Sand.....	120								120		120	1 20
Bark.....												
Firewood, in Vessels.....	3,600								3,600		3,600	60 72
Floats.....												
Lumber, Sawm, in Vessels.....	1,339	171							1,339	171	1,510	9 24
Railway Ties.....	15								15		15	3 75
Saw Logs.....	3,896								3,896		3,896	26 00
Shingles.....	9	24							9	24	33	2 63
Split Posts, &c.....												
Timber, Square.....	75	155							75	155	230	3 50
Traverses.....												
Iron Ore.....	1,020								1,020		1,020	10 20
Stone, unwrought.....												
Total Freight paying Tolls.....	10,138	350							10,138	350	10,488	118 84
Total Tolls on Vessels.....												33 50
Other Receipts.....												152 34
Total Revenue, exclusive of Hydraulic Rents.....												

A. BRUNEL,  
Commissioner.

INLAND REVENUE DEPARTMENT,  
OTTAWA, 31st December, 1878.

## SUPPLEMENTARY

## No. (A) 29.—STATEMENT of Traffic on the undermentioned Canals, and

Articles.	Welland Canal.		St. Lawrence Canals.		Chambly Canal.	
	Tons.	Tolls.	Tons.	Tolls.	Tons.	Tolls.
<i>Class No. 1.</i>		\$ cts.		\$ cts.		\$ cts.
Canadian Vessels, steam.....	197,753	2,973 19	875,217	4,963 70	85,557	275 19
United States Vessels, steam	142,270	2,130 61	26,629	137 50	337	4 21
Canadian Vessels, sail .....	443,333	9,240 63	748,224	8,027 65	85,033	1,440 77
United States Vessels, sail..	298,141	6,572 91	80,216	880 22	70,883	1,055 42
Total, Class No. 1....	1,087,497	20,917 34	1,730,266	14,009 05	241,810	2,775 59
<i>Class No. 2.</i>	No.		No.		No.	
Passengers .....	6,079	414 09	66,998	3,127 01	6,546	105 85
<i>Class No. 3.</i>	Tons.		Tons.		Tons.	
Bricks .....	277	42 25	3,798	255 30	286	16 40
Brimstone.....	9	3 60				
Cement and Water Lime.....	529	104 95	2,155	207 32		
Clay, Lime and Sand .....	937	114 40	4,657	228 34	1,853	169 37
Coal .....	295,318	57,855 98	48,518	6,831 06	68,400	6,815 11
Fish .....	1,589	246 22	1,045	125 82	1	0 10
Gypsum .....	771	39 00	1,777	70 39		
Iron, Railway.....	10	0 25	9,883	1,480 34	244	9 18
do Pig .....	4,678	912 38	14,213	1,943 84		
do all other.....	6,840	1,356 95	10,588	1,413 54	793	79 80
Salt.....	3,989	796 00	13,082	1,632 93	729	58 44
Stone, for cutting.....	5,928	1,185 60	1,251	85 23	339	33 90
Apples.....	903	108 51	10,970	1,615 77	1,552	151 90
Barley .....	10,979	2,174 80	7,787	680 14	4,290	340 93
Corn .....	185,931	37,185 45	51,097	7,117 66		
Cotton, Raw.....			47	2 55		
Flax and Hemp.....	1,731	346 20	52	2 02	118	11 80
Flour.....	9,121	518 25	10,659	1,473 66	110	3 80
Hay, Pressed.....			1,436	79 97	899	64 98
Meals, all kinds.....	220	43 10	646	44 35	1,210	79 56
Oil Cake.....	8	1 60	4	0 60		
Oats .....	3,088	615 30	9,360	618 96	2,759	142 64
Pease.....	1,017	203 40	38,336	3,180 17	2,133	74 56
Potatoes.....	162	4 22	1,054	82 41	697	69 70
Rye .....			1,046	156 90		
Seeds, all kinds.....	307	61 40	137	14 66		
Tobacco, Raw .....	3	0 60	11	0 71	81	8 10
Wheat .....	191,982	37,231 79	68,436	8,981 13		
All other Agricultural Products, Vegetable .....	1,038	68 60	3,012	268 72	2,198	76 45
Bones .....	296	59 26	187	23 33	666	66 47
Cattle.....	3	0 60	1,019	67 17	95	3 17
Hogs .....			93	7 59		
Hides and Skins, Horns and Hoofs.....	151	26 01	259	29 98	113	11 30
Horses.....	61	12 20	678	54 34	106	3 54
Lard and Lard Oil.....	12	2 40	80	9 29		
Meats, other than Pork .....	30	6 00	117	16 67		
Pork.....	268	53 60	746	63 82		
Sheep.....			430	30 18	222	7 40
Tallow .....	110	22 00	50	7 50		

APPENDIX.—Continued.

the Amount of Tolls collected during the Season of Navigation in 1878.

Burlington Bay Canal		Ottawa Canals.		Rideau Canal.		St. Peter's Canal.		Newcastle District Canals.	
Tons.	Tolls.	Tons.	Tolls.	Tons.	Tolls.	Tons.	Tolls.	Tons.	Tolls.
	\$ cts.		\$ cts.		\$ cts.		\$ cts.		\$ cts.
333,004	3,330 30	216,913	697 09	43,274	400 27			2,297	13 00
55,806	553 21	161,094	2,384 58	103,447	966 57			4,100	20 50
4,777	47 77	54,463	1,152 90	6,445	53 92				
393,587	3,936 28	432,475	4,234 57	153,304	1,421 84			6,397	33 50
No.		No.		No.		No.		No.	
74,607		22,217	368 00	4,266	101 57				
Tons.		Tons.		Tons.		Tons.		Tons.	
227		331	19 39	404	10 10			64	1 60
		16	1 49	67	1 77				
735		2,606	78 18	63	1 58			120	1 20
40,640				1,750	69 76				
170		33	2 54	49	1 32				
		25	2 32	80	4 79				
7,186		1	0 07	46	1 16				
6,974		6	0 42	184	7 93				
3,404		220	8 05	560	27 47				
565				959	29 09				
1,382				412	10 31				
1,356		16	1 10	22	0 59				
628		885	55 35	97	3 22				
		1	0 07	87	2 90				
5									
2,127		25	1 19	157	4 23				
		201	14 26						
96		1,501	138 64	240	6 04				
				1	0 03				
		1,948	103 46	13	0 33				
124		5,329	345 48	171	9 78				
61		282	16 91	11	0 30				
				914	25 83				
5		4	0 33	3	0 09				
22									
6,471		39	3 39	179	6 57				
592		89	6 67	234	7 10				
		126	11 52	112	20 91				
		384	26 29	1	0 03				
		124	8 61						
28		22	2 03	20	0 89				
43		369	23 03	4	0 12				
31				18	0 61				
19		2	0 14	29	0 98				
102		5	0 35	95	2 42				
		344	23 54	9	0 25				

## SUPPLEMENTARY

## No. (A) 29.—STATEMENT of Traffic on the undermentioned

Articles.	Welland Canal.		St. Lawrence Canals.		Chamby Canal.	
	Tons.	Tolls.	Tons.	Tolls.	Tons.	Tolls.
<i>Class No. 3.—Concluded.</i>		\$ cts.		\$ cts.		\$ cts.
Wool .....	73	14 60	128	6 89		
All other Agricultural Products, Animal.....	52	1 65	2,106	270 57	163	5 44
Total Class No. 3.....	728,422	141,419 06	320,940	39,131 80	90,062	8,304 04
<i>Class No. 4.</i>						
Ashes, Pot and Pearl.....	88	18 40	1,213	205 75	979	97 90
Agricultural Implements.....	45	15 90	332	32 65	5	0 37
Baggage.....	17	6 80	963	162 93		
Beer.....	78	31 20	381	56 72		
Coffee.....	43	17 20	10	2 00	9	0 90
Crockery.....	29	10 00	642	118 73		
Dye Woods and Dye Stuffs..	834	333 60	109	6 64	70	7 00
Earthenware.....	57	22 10	533	101 61		
Furniture.....	171	68 35	373	34 59	4	0 60
Glassware.....	137	54 80	691	132 66	21	2 10
Glass, Window.....	31	12 40	1,089	212 00		
Marble.....	1,879	751 55	80	13 97	85	22 92
Manilla.....	684	272 70	73	13 85		
Molasses.....	1,194	477 60	3,730	271 08	3,112	311 20
Nails.....	99	39 25	3,486	869 79		
Oil, in Barrels.....	3,325	1,330 00	1,613	194 39	314	31 40
Paint.....	655	262 00	356	64 02	55	5 50
Pitch and Tar.....	106	42 40	1,441	95 99	1,290	129 00
Rags.....	851	295 40	1,161	177 79	91	9 10
Rosin.....	9	3 60	1,357	77 15	1,408	140 80
Soda Ash.....	1,590	610 00	958	190 58	45	3 00
Steel.....	56	22 40	64	12 54		
Sugar.....	3,072	1,227 80	1,768	302 70	34	3 40
Stone, Wrought.....	522	203 00	310	45 45		
Tin.....	1,926	770 40	486	93 09		
Turpentine.....			473	23 95	489	48 90
Vinegar.....	7	2 80	287	56 55	2	0 20
White Lead.....	10	3 65	57	10 59		
Whiting.....	35	14 00	108	18 37		
Whiskey and all other Spirits	382	144 70	959	173 63		
Merchandise, not enumerated	12,748	4,834 05	12,544	1,815 21	1,281	126 73
Total, Class No. 4.....	30,680	11,898 05	37,647	5,586 97	9,294	941 03
<i>Class No. 5.</i>						
Bark.....			53	4 94		
Barrels, Empty.....	483	90 82	1,010	138 02	27	5 34
Boat Knees.....	34	6 84				
Floats.....			3,884	67 97	49,90	295 00
Firewood, in Vessels.....	48,767	2,155 89	47,730	1,157 21	1,674	28 97
do in Rafts.....			192	4 00		
Lumber, Sawed, in Vessels..	44,829	6,652 97	31,738	1,574 90	49,590	2,903 43
do in Rafts.....	13	2 40	8,770	394 60		
Hoops.....			59	4 15		
Railway Ties, in Vessels....	53	6 62	1,194	39 91		
do in Rafts.....						

APPENDIX A.—Continued.

Canals, and the Amount of Tolls collected, &c.—Continued.

Burlington Bay Canal.		Ottawa Canals.		Rideau Canal.		St. Peter's Canal.		Newcastle District Canals.	
Tons.	Tolls.	Tons.	Tolls.	Tons.	Tolls.	Tons.	Tolls.	Tons.	Tolls.
	\$ cts.		\$ cts.		\$ cts.		\$ cts.		\$ cts.
17		1	0 10	24	0 67				
125		464	34 00	1,746	114 61				
73,135		15,399	928 92	8,761	373 76			184	2 80
851		50	6 77	62	13 96				
48		33	3 70	87	11 60				
110		49	4 85	9	0 81				
42		34	1 98	3	0 27				
4									
13				8	1 15				
30									
173				11	0 97				
12		38	3 59	24	2 33				
968				5	0 45				
440				16	1 52				
10				9	0 80				
				12	1 08				
562				55	4 92				
1,483				104	9 84				
165				57	7 70				
116									
81		134	25 15	170	14 88				
92		31	5 05	27	5 20				
362									
258									
3				4	0 35				
782		5	0 94	284	26 93				
92				3	0 36				
11									
318				13	1 25				
33									
22				4	0 35				
112				55	5 15				
4,492		459	37 00	759	75 42				
11,885		833	89 03	1,781	187 29				
		38	6 28	310	7 81				
73		95	12 26	102	4 49				
		3,284	30 84	9,609	185 85				
345		133,554	4,580 38	56,553	985 66			3,600	60 72
		576	7 39						
641		276,771	27,567 22	14,061	717 47			1,510	9 24
		16,087	482 45	42	1 57				
		35	3 60						
				3,054	218 51			15	3 75
				1,332	106 55				

SUPPLEMENTARY

No. (A) 29.—STATEMENT of Traffic on the undermentioned Canals, and

Articles.	Welland Canal.		St. Lawrence Canals.		Chambly Canal.	
	Tons.	Tolls.	Tons.	Tolls.	Tons.	Tolls.
<i>Class No. 5.—Concluded.</i>		\$ cts.		\$ cts.		\$ cts.
Masts, Spars and Telegraph Poles, in Vessels.....			7,852	196 30		
Masts, Spars and Telegraph Poles, in Rafts.....			2,493	125 14		
Square Timber, in Vessels... do in Rafts.....	60,521 3,740	9,061 28 825 68	12,516	395 06		
Woodenware and Wood partly manufactured.....	412	123 05	307	101 75		
Shingles.....	85	27 68	165	28 38	18	7 84
Split Posts and Fence Rails, in Vessels.....	1	0 25			6	0 40
Split Posts and Fence Rails, in Rafts.....			2	0 20		
Saw Logs.....	2,668	120 27	8,733	203 05	13	0 50
Staves and Headings, Barrel do do Pipe... do do W. India do Salt Barrel.....	50 2,253 1,692	7 00 421 72 303 32	247 862	18 20 93 69		
Traverses.....	250	0 69	7,828	20 37	140	2 80
Hop Poles.....			289	9 25		
<b>Total, Class No. 5.....</b>	<b>165,851</b>	<b>19,806 48</b>	<b>135,924</b>	<b>4,577 09</b>	<b>56,458</b>	<b>3,244 28</b>
<i>Special Class.</i>						
Kryolite or Chemical Ore.....			4,192	209 60		
Iron Ore.....	15,229	761 45				
Stone, unwrought, not suitable for cutting.....	8,335	445 04	1,592	39 00		
Ice.....	7,535	376 75				
<b>Total, Special Class...</b>	<b>31,099</b>	<b>1,583 24</b>	<b>5,784</b>	<b>248 60</b>		
<b>Total Freight and Tolls.....</b>	<b>956,052</b>	<b>196,038 26</b>	<b>500,295</b>	<b>66,680 52</b>	<b>155,814</b>	<b>15,370 78</b>
Timber and other Wood, Free Wheat, Corn, Flour, Iron, Salt, Coal, &c., Free.....	12,706	2,534 20	304,465	39,363 42	1,474	145 40
<b>Grand Totals, Passengers and Tonnage of Vessels not included.....</b>	<b>968,758</b>	<b>198,572 46</b>	<b>804,760</b>	<b>106,043 94</b>	<b>157,288</b>	<b>15,516 18</b>

NOTE—St. Peter's Canal being closed for enlargement

INLAND REVENUE DEPARTMENT,  
OTTAWA, 31st December, 1878.



APPENDIX.—Continued.

the Amount of Tolls collected, during the Season of Navigation in 1878.

Burlington Bay Canal.		Ottawa Canals.		Rideau Canal.		St. Peter's Canal.		Newcastle District Canals.	
Tons.	Tolls.	Tons.	Tolls.	Tons.	Tolls.	Tons.	Tolls.	Tons.	Tolls.
	\$ cts.		\$ cts.		\$ cts.		\$ cts.		\$ cts.
340				23	0 50				
1,840		2,645	42 54	1,420	45 76			230	3 50
12		57	16 19	47	7 10				
		335	84 81	233	76 11			33	2 63
				157	24 11				
		45	3 38	3	0 57				
		44	1 00	585	16 38			3,896	26 00
18		2	0 38	25	1 70				
48									
55									
		705	2 98	7,274	55 39				
				106	15 00				
3,072		434,273	32,841 70	94,936	2,470 53			9,284	105 84
		3,927	196 35	2,791	139 55			1,020	10 20
810									
810		3,927	196 35	2,791	139 55			1,020	10 20
88,702	3,936 28	454,432	38,658 57	108,269	4,694 54				152 34
		361	17 06	1,670	46 57				
88,702	3,936 28	454,793	38,675 63	109,939	4,741 11			10,488	152 34

no business has been done on it during this year.

A. BRUNEL,  
Commissioner.

SUPPLEMENTARY APPENDIX A.—Continued.

No. (A) 31.—STATEMENT showing the Amount of Tolls accrued each Month during the Season of Navigation ended December, 1878.

Canals and Offices.	March.		April.		May.		June.		July.		August.		September.		October.		November.		December.		Totals.																							
	\$	cts.	\$	cts.	\$	cts.	\$	cts.	\$	cts.	\$	cts.	\$	cts.	\$	cts.	\$	cts.	\$	cts.	\$	cts.																						
<b>WELLAND CANAL.</b>																																												
Chippawa.....	0	36			3	21	1	50			13	76			2	58	12	50				37	11																					
Colborne.....					16,068	05	19,815	20	22,176	92	25,235	57	21,015	64	17,073	74	12,033	17	542	69		133,260	98																					
Dalhousie.....					9,234	92	8,574	28	9,244	12	10,159	16	7,361	12	8,378	26	4,645	80	148	96		57,746	61																					
Dunville.....					92	74	176	26	69	64	16	47	61	29	192	89	72	96	1	27		613	52																					
Maitland.....					148	90	173	42	142	37	150	68	189	34	222	48	35	81	10	35		1,073	35																					
Robinson.....					317	70	285	97	158	94	157	81	102	55	167	83	237	74	59	18		1,497	72																					
St. Catharines.....					138	64	182	46	124	18	177	40	98	64	283	58	87	88	16	19		1,108	97																					
Total, Welland Canal.....	0	36	3	20	26,004	16	29,149	09	31,916	17	35,910	85	28,828	58	26,321	36	17,125	86	778	63		196,038	26																					
<b>ST. LAWRENCE CANALS.</b>																																												
Beauharnois.....					386	77	243	04	230	42	433	16	419	58	959	29	333	78				3,009	43																					
Cornwall.....					2,337	50	2,393	49	1,957	94	1,658	39	1,637	80	2,854	60	1,630	93				14,477	52																					
Edwardsburg.....					87	31	65	62	33	25	25	02	58	69	131	59	30	10				11	28																					
Kingston.....					5,931	12	3,160	75	3,167	66	2,415	19	3,101	98	1,628	04	138	35				20,142	87																					
Lachine.....					227	16	337	01	353	96	348	65	862	44	361	25	272	82				10	94																					
Montreal.....					3,422	34	3,831	51	4,505	76	3,911	93	3,434	98	4,119	07	2,550	04				2,768	75																					
Total, St. Lawrence Canals.....			603	18	12,392	20	10,031	42	10,248	99	8,792	34	9,515	47	10,051	80	4,956	02				89	10																					
<b>CHAMBLEY CANAL.</b>																																												
Chambley.....					301	19	902	17	570	51	483	67	542	61	931	58	745	47				2	99																					
St. John's.....					1,269	89	1,119	57	1,711	38	1,669	64	1,336	61	1,907	68	1,193	12				6	50																					
St. Ours.....					29	00	88	15	76	68	92	31	85	20	124	55	86	65				7	20																					
Total, Chambley Canal.....			29	00	1,659	54	2,107	89	2,358	57	2,245	62	1,964	42	2,963	81	2,025	24				16	69																					
																					16		89		16,370		78																	

	3 72	39 29	529 94	654 73	692 95	745 68	501 01	487 00	295 27	5 69	3,936 28
<b>BURLINGTON BAY CANAL.</b>											
Hamilton.....											
<b>OTTAWA CANALS.</b>											
Ottawa.....			3,231 89	2,958 78	4,206 46	3,401 23	3,906 01	3,028 42	1,460 74		22,193 53
Carrillon.....		9 01	57 81	128 36	130 21	82 82	46 15	155 24	130 00		739 60
Grenville.....			2,376 47	2,310 88	1,860 95	2,405 04	1,324 28	1,716 91	1,279 54		13,274 07
St. Ann's.....		22 15	264 96	354 32	366 35	470 00	323 33	413 65	232 42	4 19	2,451 37
Total, Ottawa Canals.....		31 16	5,931 13	5,752 34	6,563 97	6,359 09	5,599 77	5,314 22	3,102 70	4 19	38,858 57
<b>RIDEAU CANAL.</b>											
Kingston Mills.....			338 93	406 39	434 81	256 08	218 05	265 38	253 80		2,173 44
Ottawa.....			342 98	349 35	292 58	374 85	230 44	283 56	94 91	8 50	1,977 17
Smith's Falls.....			97 77	121 14	107 81	83 85	52 89	48 55	31 92		543 93
Total, Rideau Canal.....			779 68	876 88	835 20	714 78	501 38	597 49	380 63	8 50	4,694 54
<b>ST. PETER'S CANAL.</b>											
St. Peter's.....											
<b>NEWCASTLE DISTRICT CANALS.</b>											
Bobcaygeon.....		4 50	17 72	13 75	5 50	5 03	1 80	13 91	2 57		64 78
Peterborough.....		7 28	4 08	6 34	5 35	1 22	2 50	3 90			30 67
Hastings.....	1 09	1 00	3 50	31 80	14 00	1 50	0 50	2 50	1 00		56 89
Total Newcastle District Canals.....	1 09	12 78	25 30	51 89	24 85	7 75	4 80	20 31	3 57		152 34
Grand Total.....	5 17	718 61	47,321 95	48,624 24	52,640 70	54,777 11	46,915 43	45,735 99	27,889 29	902 80	326,531 29

A. BRUNEL,  
Commissioner.

INLAND REVENUE DEPARTMENT,  
OTTAWA, 31st December, 1878.

SUPPLEMENTARY APPENDIX A.—Continued.

No. (A) 32.—GENERAL STATEMENT showing the Number, Tonnage and Nationality of Vessels passed through the Canals during the Season of Navigation ended 31st December, 1878, and the Tolls collected thereon.

VESSELS.	Total Number	From Canadian to Canadian Ports.		From Canadian to United States Ports.		From United States to United States Ports.		From United States to Canadian Ports.		Tons.		Total Tons.	Amount of Tolls. \$ cts.
		Up.	Down.	Up.	Down.	Up.	Down.	Up.	Down.	Up.	Down.		
<b>WELLAND CANAL.</b>													
Canadian Vessels, steam.....	624	69,121	42,618	27,843	823	.....	.....	802	56,546	97,766	99,987	197,753	2,973 19
do sail.....	1,999	103,399	48,304	115,664	2,921	.....	.....	5,474	173,571	224,537	224,796	449,333	9,240 63
Total Canadian.....	2,623	172,520	90,922	143,507	3,744	.....	.....	6,276	230,117	322,303	324,783	647,086	12,213 82
United States Vessels, steam.....	733	.....	80	.....	1,618	69,902	68,333	486	1,851	70,388	71,882	142,270	2,130 61
do do sail.....	1,073	1,235	778	11,690	1,706	137,278	68,949	1,300	75,205	151,503	146,638	298,141	6,572 91
Total United States.....	1,806	1,235	858	11,690	3,324	207,180	137,282	1,786	77,056	221,891	219,520	440,411	8,703 52
Grand Total Welland Canal.	4,429	173,755	91,780	155,197	7,068	207,180	137,282	8,062	307,173	544,194	543,303	1,087,497	20,917 34
<b>St. LAWRENCE CANALS.</b>													
Canadian Vessels, steam.....	3,157	513,391	340,604	11,639	395	.....	.....	.....	9,188	525,030	350,187	875,217	4,963 70
do do sail.....	4,880	417,596	319,852	4,371	.....	72	205	96	6,032	422,135	326,089	748,224	8,027 63
Total Canadian.....	8,037	930,987	660,456	16,010	395	72	205	96	15,220	947,165	676,276	1,623,441	12,991 33
United States Vessels, steam.....	458	364	307	2,756	48	9,475	9,396	24	4,259	13,619	14,010	26,629	137 50
do do sail.....	771	2,352	5,812	11,965	4,165	357	276	42,280	13,029	56,934	23,282	80,216	880 22
Total United States.....	1,229	2,716	6,119	14,721	4,213	9,832	9,672	42,284	17,288	69,553	37,292	106,845	1,017 72
Grand Total St. Lawrence Canals.....	9,266	933,703	666,575	30,731	4,608	9,904	9,817	42,380	22,508	1,016,718	713,568	1,730,286	14,009 05

<b>CHAMBLEY CANAL.</b>																	
Canadian Vessels, steam.....	540	41,309	40,977	457							2,814	41,766	43,791	85,557	275 19		
do sail.....	1,063	10,922	10,196	15,553							48,362	26,475	58,558	85,053	1,410 77		
Total Canadian.....	1,603	52,231	51,173	16,010							51,176	68,241	102,349	170,590	1,715 96		
United States Vessels, steam.....	8			102					76		159	102	235	337	4 21		
do sail.....	872	10	608	12,556							57,709	12,566	58,317	70,883	1,065 42		
Total United States.....	880	10	608	12,658					76		57,868	12,668	58,552	71,220	1,059 63		
Grand Total Chambley Canal.	2,483	52,241	51,781	28,668					76		109,044	80,909	160,901	241,810	2,775 59		
<b>BURLINGTON BAY CANAL.</b>																	
Canadian Vessels, steam.....	763	159,929	161,190											166,394	166,610	3,300 30	
do sail.....	267	5,898	14,870											27,575	28,231	55,806	
Total Canadian.....	1,030	165,827	176,060											193,969	194,841	388,810	
United States Vessels, steam.....																	
do sail.....	25	255	116											2,282	2,495	4,777	
Total United States.....	25	255	116											2,282	2,495	4,777	
Grand Total, Burlington Bay Canal.....	1,055	166,082	176,176											196,251	197,336	393,587	
<b>OTTAWA CANALS.</b>																	
Canadian Vessels, steam.....	1,228	66,760	128,578											86,760	130,168	216,918	687 09
do sail.....	1,864	13,732	110,899											13,732	147,362	161,094	2,384 58
Total Canadian.....	3,092	100,482	239,477											100,482	277,530	378,012	3,081 67
United States Vessels, steam.....																	
do sail.....	612	7,790	425														
Total United States.....	612	7,790	425														
Grand Total, Ottawa Canals.	3,734	108,272	239,902											112,868	319,617	432,475	4,234 57

Supplementary Appendix A.—Continued.  
 No. (A) 32.—GENERAL STATEMENT showing the Number, Tonnage and Nationality of Vessels passed through the Canals, &c.—Continued.

VESSELS.	Total Number	From Canadian Ports.		From United States to United States Ports.		From Canadian to United States Ports.		From United States to Canadian Ports.		Tons.		Total Tons.	Amount of Tolls.
		Up.	Down.	Up.	Down.	Up.	Down.	Up.	Down.	Up.	Down.		
<b>RIDEAU CANAL.</b>													
Canadian Vessels, steam .....	922	20,611	22,663								22,663	43,274	400 27
do sail .....	1,724	48,155	55,292								48,155	103,447	966 57
Total Canadian .....	2,646	68,766	77,955								68,766	146,721	1,366 84
United States Vessels, steam .....	4	69	69								69	138	1 08
do do sail .....	73	343	5,935	97	70						440	6,445	53 92
Total United States .....	77	412	6,004	97	70						509	6,583	55 00
Grand Total, Rideau Canal .....	2,723	69,178	83,959	97	70						69,275	153,304	1,421 84
<b>ST. PETER'S CANAL.</b>													
Canadian Vessels, steam .....													
do sail .....													
Total Canadian .....													
<b>NEWCASTLE DISTRICT CANALS.</b>													
Canadian Vessels, steam .....	23	476	1,821								476	2,297	13 08
do do sail .....	40	600	3,500								600	4,100	20 50
Total Canadian .....	63	1,076	5,321								1,076	6,397	33 50
Grand Total, Newcastle District Canals .....	63	1,076	5,321								1,076	6,397	33 50

RECAPITULATION.

VESSELS.	Total Number		From Canadian to Canadian Ports.		From Canadian United States to United States Ports.		From United States to United States Ports.		From United States to Canadian Ports.		Tons.		Total Tons.	Amount of Tolls. \$ cts.
	Up.	Down.	Up.	Down.	Up.	Down.	Up.	Down.	Up.	Down.	Up.	Down.		
<b>CANADIAN VESSELS.</b>														
<i>Steam and Sail.</i>														
Welland.....	172,520	90,922	143,507	3,744	.....	.....	.....	.....	6,276	230,117	323,303	324,783	647,086	12,213 82
St. Lawrence.....	930,987	660,486	16,010	395	.....	.....	.....	.....	96	15,220	947,165	676,276	1,623,441	12,991 33
Chambly.....	52,231	51,173	16,010	.....	.....	.....	.....	.....	.....	.....	68,211	102,349	170,560	1,715 96
Burlington Bay.....	165,827	179,060	.....	.....	.....	.....	.....	.....	28,142	.....	193,969	194,841	386,810	3,868 51
Ottawa.....	100,482	239,477	.....	15,781	.....	.....	.....	.....	.....	.....	100,482	277,530	378,012	3,081 67
Rideau.....	68,766	77,955	.....	38,053	.....	.....	.....	.....	.....	.....	68,766	77,955	146,721	1,366 84
St. Peter's.....	1,076	5,321	.....	.....	.....	.....	.....	.....	.....	.....	1,076	5,321	6,397	33 50
Newcastle District.....	.....	.....	.....	.....	.....	.....	.....	.....	.....	.....	.....	.....	.....	.....
Total Canadian.....	1,491,889	1,304,364	1,76,527	57,973	72	205	205	205	34,514	296,513	1,702,002	1,659,055	3,361,057	35,291 63
<b>UNITED STATES VESSELS.</b>														
<i>Steam and Sail.</i>														
Welland.....	1,235	858	11,690	3,324	207,180	137,282	9,673	76	1,786	77,066	221,891	218,520	440,411	8,703 52
St. Lawrence.....	2,716	6,119	14,721	4,213	9,832	9,673	.....	.....	42,284	17,288	69,553	37,292	106,845	1,017 72
Chambly.....	10	608	12,658	.....	.....	.....	.....	.....	.....	57,868	12,668	58,552	71,220	1,059 63
Burlington Bay.....	255	116	.....	.....	.....	.....	.....	.....	2,027	.....	2,282	2,495	4,777	47 77
Ottawa.....	7,790	435	.....	41,862	.....	.....	.....	.....	.....	.....	12,376	42,087	54,463	1,152 90
Rideau.....	412	6,004	97	70	.....	.....	.....	.....	.....	.....	509	6,074	6,583	55 00
St. Peter's.....	.....	.....	.....	.....	.....	.....	.....	.....	.....	.....	.....	.....	.....	.....
Total United States.....	12,418	14,130	39,166	51,648	217,012	147,030	147,030	147,030	50,683	152,212	319,279	365,020	684,299	12,036 54
Grand Total Canadian and United States.....	1,504,307	1,318,494	214,693	109,621	217,084	147,255	147,255	147,255	85,197	448,725	2,021,281	2,024,075	4,045,356	47,398 17

A. BRUNEL,  
Commissioner.

INLAND REVENUE DEPARTMENT,  
OTTAWA, 31st December, 1878.

SUPPLEMENTARY APPENDIX A.—Concluded.

COMPARATIVE STATEMENT of Grand Total Freight passed through the undermentioned Canals during the Seasons of Navigation, 1877-78, with the amount of Tolls collected on the same, including Tolls on Vessels and Passengers.

CANALS.	From Canadian to Canadian Ports.		From Canadian to United States Ports.		From United States to United States Ports.		From United States to Canadian Ports.		Tons.		Total Tons.	Amount of Tolls. \$ cts.
	Up.	Down.	Up.	Down.	Up.	Down.	Up.	Down.	Up.	Down.		
1877.												
Welland Canal.....	24,179	125,466	16,913	7,545	259,207	234,634	11,890	495,564	312,189	863,209	1,175,398	233,204 15
St. Lawrence Canals.....	122,338	580,140	4,985	5,549	1,189	3,951	80,465	42,809	209,037	622,449	841,486	69,033 01
Chambly Canal.....	9,187	7,311	42,040	.....	.....	7,407	.....	131,768	51,227	146,476	197,703	18,990 97
Rideau Canal.....	89,717	24,319	.....	.....	.....	.....	.....	.....	89,717	24,319	114,066	4,890 47
Ottawa Canals.....	916	304,417	.....	183,318	.....	.....	.....	.....	916	486,735	487,651	41,713 95
Burlington Bay Canal.....	18,064	20,284	66	4,854	.....	.....	57,630	.....	75,860	25,138	100,798	3,832 17
St. Peter's Canal.....	.....	.....	.....	.....	.....	.....	.....	.....	.....	.....	.....	.....
Newcastle Dist. Canals.....	27,155	.....	.....	.....	.....	.....	.....	.....	27,155	.....	27,155	313 91
1878.												
Welland Canal.....	23,752	92,950	29,224	3,742	206,432	167,306	8,329	437,023	267,737	701,021	968,758	198,038 26
S. Lawrence Canals.....	125,397	573,546	9,288	3,112	598	996	46,302	44,921	182,185	622,575	804,750	66,680 52
Chambly Canal.....	6,967	9,826	59,139	.....	.....	.....	.....	81,256	66,106	91,182	157,288	15,370 78
Rideau Canal.....	97,176	12,402	361	.....	.....	.....	.....	.....	97,537	12,402	109,939	4,694 54
Ottawa Canals.....	1,662	272,310	.....	180,727	.....	.....	94	.....	1,756	463,037	454,793	38,658 57
Burlington Bay Canal.....	21,264	22,068	.....	1,524	.....	.....	43,846	.....	65,110	23,592	88,702	3,936 28
* St. Peter's Canal.....	.....	.....	.....	.....	.....	.....	.....	.....	.....	.....	.....	.....
Newcastle Dist. Canals.....	10,138	350	.....	.....	.....	.....	.....	.....	10,138	350	10,488	152 34

\* This Canal being closed for enlargement, no business has been done on it during the years 1877 and 1878.

INLAND REVENUE DEPARTMENT,  
OTTAWA, 31st December, 1878.

A. BRUNEL,  
Commissioner.



FIFTH REPORT

OR

WEIGHTS AND MEASURES,

BRING

SUPPLEMENT No. II,

TO THE REPORT

OF THE

DEPARTMENT OF INLAND REVENUE,

1878.

---

*Printed by Order of Parliament.*

---



OTTAWA:

PRINTED BY MACLEAN, ROGER & CO., WELLINGTON STREET,  
1879.



# COMMISSIONER'S REPORT.

## CONTENTS.

### INSPECTION OF WEIGHTS AND MEASURES.

	PAGE
Section 2.—Comparison of United States Lineal Standards with the Dominion Standards.....	v
“ 3.—Continuation of comparison of United States Standards at Westminster.....	v
“ 4.—Correspondence in reference to Roberville Balance.....	v
“ 5.—Correspondence in reference to false weighing.....	vi
“ 6.—Effect of distorted equal arm balance.....	vi
“ 7.—Expenses of Inspection.....	vi
“ 8.—Number of Weights and Measures inspected.....	vi
“ 9.—More complete details.....	vii
“ 10.—Additional facilities for Inspection at shops of traders.....	vii

### INSPECTION OF GAS.

Section 11.—Inspection of Meters.....	vii
“ 12.—Number of Meters inspected not increased.....	viii
“ 13.—Inspection has caused Gas Companies to be more careful as to accuracy of Meters.....	viii
“ 14.—Illuminating power of Gas.....	viii
“ 15.—Improved purity of Gas.....	viii
“ 16.—Toronto Gas.....	viii
“ 17.—Montreal Gas.....	ix
“ 18.—Reduction of Sulphur at Montreal.....	ix
“ 19.—Halifax Gas.....	ix
“ 20.—St. John, N.B., Gas.....	ix
“ 21.—Quebec Gas.....	ix
“ 22.—Analysis of Gas at Quebec, examined by Mr. AUBIN.....	ix
“ 23.—Ottawa Gas.....	x
“ 24.—Gas at other places.....	x

## AMMONIA.

	PAGE
Section 25.—In Halifax Gas.....	x
“ 26.—In St. John, N.B., Gas.....	x
“ 27.—In Quebec Gas, as tested by Mr. AUBIN.....	x
“ 28.—In Toronto Gas.....	x
“ 29.—In Montreal Gas.....	xi
“ 30.—In Ottawa Gas.....	xi
“ 31.—Sulphuretted Hydrogen.....	xi
“ 32.—Benefit of Inspection to consumers.....	xi
“ 33.—Amendment of Law so as to produce a revenue.....	xii



**FIFTH REPORT**

OF THE

**COMMISSIONER OF INLAND REVENUE**

ON

**WEIGHTS, MEASURES AND GAS.**

---

*To the Honorable the Minister of Inland Revenue :*

SIR,—I have now the honor to submit my Fifth Report respecting the inspection of weights, measures and gas.

2. In the spring of 1877, Professor J. E. Hilgard, of the United States Coast Survey, proposed to this Department the comparison of the United States standards of lineal measure with the Dominion standards, with a view to determining some scientific questions in relation to the stability of the alloys of metal of which the bars are made. As this is a matter in which we are equally interested with reference to our standards, I gladly acceded to Mr. Hilgard's proposal, and in May, 1877, he brought the United States standard to Ottawa where an extensive series of comparisons were made, the particulars of which will be found in Appendix A. to this report.

Comparison of United States Lineal Standards with the Dominion Standards.

3. The subject is not yet finally disposed of as Mr. Hilgard considered it of sufficient importance to justify him in taking the United States Standard to Westminster, where I saw it last year, and where an additional set of comparisons have, I understand, been made, the result of which I hope to be able to publish in my next report.

Continuation of comparison of United States Standards at Westminster.

4. Some correspondence has passed between myself and Mr. CHANEY, Chief of the Standards Department at Westminster, in relation to the Roberville balance, referred to in my fifth report. This is given at page 15 of the Appendix accompanied by the diagrams given by Mr. Chaney, suggestive of modifications in construction which would remove the objections to this very convenient form of balance.

Correspondence in reference to Roberville Balance.

Correspondence in reference to false weighing.

5. In order to show how necessary an inspection of weights, measures and weighing machines had become, I have selected some correspondence on the subject which will be found at pages 31 and 32. I have selected the first two letters because they show, on the one hand, that parties carrying on the highest class of business may unwittingly do wrong either to themselves or their customers; while on the other hand it is shown that those less able to protect themselves may be grievously wronged by frauds in weighing.

Effect of distorted equal arm balance.

6. As the effect of distorted or fraudulent equal arm balances is not generally appreciated, I have prepared a diagram with an explanatory memorandum, showing how such balances may be used for fraudulent purposes. These will be found in Appendix M.

Expenses of Inspection.

7. In Appendix B there will be found a statement of the expenditure and receipts on account of the inspection of weights and measures for the year ended 30th June, 1878. The total expenses having been \$70,719.68, while the receipts were \$29,833.60. The expenses are made up as follows:—

Office rents .....	\$ 7,024.41
Contingencies .....	11,360.44
Salaries .....	52,334.83
Total .....	<u>\$70,719.68</u>

In 1876-77 the receipts amounted to \$50,375.45. The decrease is due to the reduction of the fees by 75 per cent. upon a second or subsequent verification.

Number of Weights and Measures inspected.

8. In Appendix C will be found a detailed statement of the weights and measures presented for verification during the fiscal year. The number of all descriptions may be summarily stated as follows:—

	Presented.	Verified.	Per cent. Rejected.
Weights—Dominion .....	103,118	102,338	·756
Tolerated .....	14,943	14,800	·957
Measures—Dominion .....	43,313	43,229	·193
Tolerated.....	7,230	6,125	15·283
Measures of Length.....	4,214	4,190	·569
Balances, &c.—Equal Arms.....	9,742	9,674	·699
Steelyards.....	1,148	1,121	2·352
Platform Scales..	14,659	14,546	·778
Irregular Weights.....	5,849	5,548	·171
Irregular Measures .....	Nil.	Nil.	

Of the whole number of articles offered for inspection, the number ultimately rejected forms but a small proportion, the percentage in each case is stated in a third column ; but as explained in a former report, this is no index to the number found incorrect when first examined, for the inspectors, acting on instructions, have allowed inaccurate articles to be removed and adjusted after first presentation without charging fees; and the number given above only represents the number in each case on which fees were actually collected.

9. Appendix D gives more complete details of the description of articles presented for verification, and it will be noticed that up to the close of the past fiscal year not a single 60 lb. weight has been submitted for verification. More complete details.

10. With a view to enabling the Inspectors to perform their functions more completely at the places of business of the parties whose weights and measures are inspected, forty additional sets of portable Kits have been procured. These have been more substantially made than those first obtained, and they have been otherwise improved. With the appliances now available, the Inspectors will be able to perform the ordinary inspection of weights, &c., used for trade purposes at the traders' shops, and it will only be necessary to convey the articles to the Inspector's Office for verification by the more reliable standards when circumstances justify the suspicion of grave inaccuracies or the result of the ordinary test is disputed, or when any legal proceedings under the Act are contemplated. Additional facilities for inspection at shops of traders.

INSPECTION OF GAS.

11. The details of the inspection of gas and gas-meters will be found in Appendices J, K and L. The general result as compared with the previous year may with reference to the inspection of meters, be summarised as follows :— Inspection of Meters.

	Presented for Verification.	Final Rejection.
1876-77.....	4,725	246
1877-78.....	4,954	285
	<hr style="width: 50px; margin: 0 auto;"/>	<hr style="width: 50px; margin: 0 auto;"/>
Increase.....	229	39

The percentage of meters rejected was in 1876-77, 5¼ per cent., and in 1877-78, 5¾ per cent.

Number of  
Meters in-  
spected not  
increased.

12. The number of meters presented for verification in 1877-78 was considerably reduced below what it would otherwise have been by the stoppage of the inspection in St. John, N.B., during the recovery of that city from the effects of the fire. The decrease thus occasioned was not nearly compensated by the number inspected in Charlottetown, P.E.I., Fredericton, N.B., and Brantford, Ontario, to which places the active inspection was extended during the year.

Inspection  
has caused  
Gas Com-  
panies to be  
more careful  
as to accuracy  
of Meters.

13. The inspection has impressed upon the managers of the gas companies the necessity of greater care in the examination of meters before they are taken into use. This is evident from the greater proportion found correct at the first test, for although the numbers finally rejected bears about the same proportion to the whole as at the commencement of the inspection, it was at the outset usually necessary to send back for readjustment a much greater proportion than at present.

#### ILLUMINATING POWER.

Illuminating  
power of Gas.

14. A statement of the illuminating power and purity of gas inspected during the year, will be found in Appendix L. The illuminating power wherever the inspection has been made, has been remarkably good. The average being everywhere above the standard fixed by law, and there does not appear to be any adequate reason for continuing the standard in Ontario at the comparatively low rate of 12 candles, while the average has hardly ever been less than 14 candles. This would seem to justify the raising of the standard in Ontario to that which obtains in New Brunswick, Quebec and Prince Edwards Island—namely, 14 candles. The standard in Nova Scotia is 16 candles, and it is believed that there would be no great difficulty in producing gas of equal illuminating power in the other provinces, but it may not be expedient to raise the standard so high at present.

#### PURITY.

Improved  
purity of Gas.

15. Since my last report there has been a decided improvement in the purity of gas supplied. The quantity of sulphur compounds has been reduced, and at the present time the standard quantity of sulphur is rarely exceeded. The standard fixed, by regulations made in pursuance of the Act, is 20 grains in 1,000 cubic feet of gas.

Toronto Gas.

16. In Toronto, the highest quantity found only once exceeded the standard. That happened in September, 1877; since then the highest quantity found was 17.9 grains, while the highest monthly average for the year was 15.85 grains.



17. In Montreal, sulphur was greatly in excess during the whole Montreal Gas. of the fiscal year. The highest quantity ascertained was in March, 1878, when it was 60.2 grains, and the highest monthly average, 53.35 grains, occurred in the same month. The lowest monthly average was for the month of September, 1877, when it was 24 grains. But, it is just to observe, that subsequent to the close of the fiscal year to which the appendix relates, the quantity of sulphur in the Montreal gas has been greatly reduced the average for the month of September, 1878, being only 17.87 grains; 2.13 grains below the standard.

18. The reduction of sulphur at these works is all the more satisfactory, because it has been persistently urged by the company that Reduction of Sulphur at Montreal. a reduction within the legal standard, under the circumstances in which that company is placed, is impossible.

19. In Halifax, sulphur has generally been somewhat in excess of Halifax Gas. the standard. The highest average occurred in the month of March, 1878, when it was 35.52 grains, but in October it was as low as 10.84 grains; and, of the whole number of tests, twelve were below and twenty above the standard.

20. In St. John, N.B., although the instruments for testing the St. John, N.B., Gas. purity of gas have been provided, no arrangements have yet been made for using them, the Inspector not having sufficient knowledge of chemistry to enable him to work out the tests. One test was, however, worked out by an officer sent from the department, which gave 12.75 grains as the quantity of sulphur.

21. In Quebec, the tests for sulphur have, with the exception of Quebec Gas those for January, shown a monthly average below the standard. In that month, the average was 21.94 grains, or nearly two grains above the average. The highest quantity found 29.93 grains, occurred in the same month.

22. As it was deemed necessary to test the accuracy of the analysis Analysis of Gas at Quebec, examined by Mr. Aubin. made by the Inspector in Quebec, samples of the distillates were sent to Inspector AUBIN at Montreal. The results of that officer's analysis will be found on pages 48 and 49 of the appendices. The results obtained by Mr. AUBIN do not always correspond with those given by the Quebec Inspector. As Mr. AUBIN has had a large experience, while the analysis is quite new to the Quebec Inspector, it is safest to accept Mr. AUBIN's results. From these it appears that the largest quantity of sulphur occurred in June, 1878, the

largest average 23.58, having been found in the same month. Of the forty-four tests worked out by that officer, twelve gave the quantity below the standard, and the remainder above it.

**Ottawa Gas.** 23. In Ottawa, only eleven tests were taken during the year, of which seven were below and the remainder above the standard.

**Gas at other places.** 24. In the other places at which gas inspection has been commenced, the tests of purity have not yet been commenced.

#### AMMONIA TESTS.

**Ammonia in Halifax Gas.** 25. There has also been an improvement in gas with reference to ammonia. In Halifax the gas has been entirely free from ammonia on two occasions, and it has been in excess of the standard on only five occasions out of thirty-two tests. On twenty-seven occasions it has been below the standard.

**Ammonia in St. John, N.B., Gas.** 26. In St. John, N.B., only one test was taken during the year, the ammonia was then exactly equivalent to the standard.

**Ammonia in Quebec Gas, as tested by Mr. Aubin.** 27. In Quebec there were in all forty-nine tests for ammonia, of which forty-one were analysed by Mr. AUBIN, and on every occasion but one, the ammonia was in excess of the standard. The highest quantity found was 75.18 grains and the lowest quantity—except in the case referred to—was 10.04 grains per 100 cubic feet. The lowest monthly average occurred in June, 1878, when it was 2.98 grains, or nearly one grain in excess of the standard. As the minimum quantity occurred in the last month of the year, it might have been inferred that the inspection had had the effect of inducing the Company to pay greater attention to the freeing of gas from the most objectionable of all impurities. Unfortunately this inference is precluded by the results of the analysis since the 30th June, which show that there has been no permanent improvement.

**Ammonia in Toronto Gas.** 28. In Toronto there has been forty-four tests for ammonia, and it has been in excess of the standard on twenty-four and below it on twenty occasions. The highest quantity found was 4.62 grains per 100 feet. On one occasion it was absent. The highest monthly average 4.17 grains, occurred in January, 1878, and the lowest 1.00 in August, 1877, and generally the highest quantity was found during the cold months. It may be said, therefore, that the elimination of ammonia from the gas supplied by the Toronto Company has made satisfactory progress, and there is reason to believe that the standard of purity will be ultimately reached.

29. In Montreal ammonia was largely in excess during the months of August, September and October, 1877. There was a marked and continuous improvement from January, 1878, to the end of the year. Thirty tests were taken; on eighteen occasions the ammonia was present in excess of and on twelve below the standard. The highest quantity, 30 grains, was found in September 1877, and the lowest, 1.00 grain, in May, 1878. The highest monthly average, 28.86 grains, also occurred in September, and the lowest average, 1.33 grains, in May. It is satisfactory to see that although the average quantity of ammonia in the Montreal gas was for the whole year excessive, a decided improvement took place in January, which was not only maintained but increased to the end of the year.

Ammonia in  
Montreal Gas.

30. In addition to the places above-mentioned, seven tests have been taken at Ottawa by an officer attached to the inside service of the Department. The highest quantity of ammonia found was 3.75 grains, and the lowest 2.00 grains per 100 feet; the average being 2.98 grains or nearly one grain above the standard.

Ammonia in  
Ottawa Gas.

31. Sulphurated hydrogen has been entirely absent from the gas supplied at Halifax, St. John, N.B., Toronto, Montreal, Hamilton, Pictou and Charlottetown. At Quebec it was present on 65 and absent on 23 occasions; at Fredericton it was present on 57 and absent on 27 occasions.

Sulphuretted  
Hydrogen.

32. From the preceding summary of the results of the inspection it is evident that the gas consumer has been largely benefitted by the working of the act, which in so far as the provision for inspection goes, is fairly sufficient for the purpose. There has been a great improvement in the illuminating power of the gas supplied, and every where, except Quebec, great progress has been made in eliminating the impurities which so seriously affect the health of those who inhabit rooms where gas is burned, and which are also destructive to many classes of goods kept on the shelves of merchants and shopkeepers, as well as of many articles of great value which are kept in private residences, among which may be enumerated works of art, the binding of books, gilding and textile fabrics, especially when of silk.

Benefit of  
Inspection to  
consumers.

Amendment  
of Law so as  
to produce a  
revenue.

33. In conclusion I beg to direct attention to the remarks which I have had the honor to submit in former reports, in relation to the necessity of amending the law so as to provide a revenue from inspection fees sufficient to defray the cost of this service.

All of which is respectfully submitted.

I have the honor to be, Sir,

Your most obedient servant,

A. BRUNEL,

*Commissioner.*

DEPARTMENT OF INLAND REVENUE,

OTTAWA, April 8, 1879.

## APPENDIX A.

BUREAU OF WEIGHTS AND MEASURES.

U. S. COAST SURVEY OFFICE.

WASHINGTON, May 3, 1878.

Colonel A. BRUNEL,  
Commissioner of Inland Revenue,  
Ottawa, Canada.

MY DEAR SIR,—At length I have the pleasure of sending you my reduction of our comparison of standards made last Spring. I add to them the statement of the comparisons between the bronze and the iron yards in our possession which led to the doubt in regard to the permanency of Bronze No. 11. You will see that the comparisons in three different years show very nearly the same difference, leaving no doubt that No. 11 has sensibly shortened. This appears likewise to be the case with No. 16, which is in your possession.

With great regard,  
Yours truly,

J. E. HILGARD.

BUREAU OF WEIGHTS AND MEASURES.

U. S. COAST SURVEY OFFICE.

WASHINGTON, May 3, 1878.

COMPARISON of British Standard Yard No. 11 with British Standard Yard No. 16 and Dominion Standard A, made in May and June 1877, by J. E. Hilgard, United States Inspector of Weights and Measures, and A. Brunel, Commissioner of Inland Revenue, Dominion of Canada.

*Comparisons of Standard Yards.*

The two British Standard Yards in the possession of the United States, Bronze No. 11 and Iron 57, having been compared in 1876 and again in 1877, the results indicated a relation between them differing by 0.00026 inch from that assigned in the letter of the Astronomer Royal which accompanied the bars when they were presented to the United States in 1856. After their reception these bars were not compared until the spring of 1876. The observations of 1876-77 establishing beyond doubt the fact and amount of the change in their relation, it became important to ascertain which one had changed length or whether the change was partly on both.

There being in the United States no suitable Standard Yard for the settlement of this point, attention was turned to the Standards of the Dominion of Canada. Deposited with the Commissioner of Inland Revenue, at Ottawa, are four yards of the same material as and similar in shape and construction to Bronze No. 11. They are known as Bronze No. 16 and Dominion Standards A, B, and C. The former was sent to Canada in 1857 having been previously compared with the Standard in England. Its relation to the Standard was such as to make it standard at 61°94. The Dominion Standards A, B, and C, were received at Ottawa in 1874. Just before being sent they had been compared with the Standard in England. From these comparisons we find Dominion Standard A to be standard at 61° 91 F.

In May, 1877, Bronze Yard No. 11 was taken to Ottawa for comparison with the Standards there in keeping. For this purpose A and No. 16 were taken. The comparisons were made in the basement of the Parliament Buildings with the new micrometric comparing apparatus, constructed for the Dominion by Troughton and Simms, an account and description of which may be found in the "Second Report of the Commissioner of Inland Revenue on the inspection of Weights, Measures and Gas, Ottawa, May 1, 1875." Comparisons were begun on May 26, and continued from day to day until June 1st, being made by Messrs Hilgard, Brunel, Russell and Wright. The illumination was obtained sometimes by daylight, sometimes by the use of illuminating lamps. The manner of illuminating appears to have no marked effect upon the results and, though generally noted, is not regarded.

The temperature was very uniform throughout the observations. The bars being all of the same material, shape and size the variations of temperature, though recorded, are not taken into account in the reductions. The temperature is so near that at which the bars are standard that the slight difference in their co-efficients of expansion are not appreciable in the reductions.

The observations of May 26 are rejected, the sun having shone upon the apparatus for some time in the early morning, and the observations being intended as merely experimental and for practice.

The values of the micrometers used were determined from the spaces of 0.02 inch on the gold pins at the bottoms of the wells of the Bronze 11. The observations give

$$\begin{array}{r} \text{Inch.} \\ \text{Value of 1 Div. of Micrometer A (right) = 0.0000202+} \\ \text{B (left) = 0.0000203-} \end{array}$$

Greater readings of the micrometer indicate position further to the left. We therefore subtract the readings of the "right" micrometer from those of the "left" and the greater difference corresponds to the greater length.

From the direct comparisons we have

	d	d	Inch.		From
(1) No. 16 = No. 14 + 3.12 ± 0.24 =			No. 11 + 0.0000633 ± 0.0000049,	52	Obs'ns.
(2) No. 16 = A - 4.02 ± 0.17 =			A - 0.0000816 ± 0.0000034,	33	"
(3) A = No. 11 + 7.95 ± 0.23 =			No. 11 + 0.0001614 ± 0.0000047,	38	"

From one we have

$$\begin{array}{r} \text{Inch.} \\ \text{No. 16} = \text{No. 11} + 0.0000633 \end{array}$$

From (2) and (3)

$$\text{No. 16} = \text{No. 11} + 0.0000798$$

The discrepancy, = 0.0000165, is so small that it may be, without sensible error, apportioned equally among the three results, and we will have

$$\begin{array}{r} \text{Inch.} \qquad \qquad \text{Inch.} \\ \text{No. 16} = \text{No. 11} + 0.0000688 \pm 0.0000049 \\ \text{A} = \text{No. 16} + 0.0000871 \pm 0.0000034 \\ \text{A} = \text{No. 11} + 0.0001559 \pm 0.0000047 \end{array}$$

for the result of the comparisons of May 27 to June 1, between Bronze Yards No. 11 and 16 and Dominion Standard A.

C. S. OFFICE,  
March 23, 1878.

For further discussion of the subject see "Note on a change in the relative lengths of Bronze No. 11 and Iron 57."

Note on a change in the relative length of Standard Yards Bronze No. 11 and Iron No. 57.

	Bronze No. 11 relatively shorter.
Comparisons in 1876 give.....	0.00024 in.
1877 " .....	0.00026
1878 " .....	0.00025
Mean.....	0.00025

by which amount No. 11 is relatively shorter now than it was when first compared, about 1855-'56

Relative changes of Bronze Standards No. 11 and No. 16 referred to the British Standard Yard through Dominion Standard A.

No. 11 being originally standard at 61.79.

16	"	"	61.94.	
A	"	"	61.91.	

in. in.

11—A should be.....  $0.12 \times 0.000342 = + 0.0000410$

16—A " .....

but the comparisons gives

11—A.....  $= - 0.0001579$

16—A.....  $= - 0.0000871$

which indicates a relative shortening

in.

in No. 11 of.....  $0.0001969$

in No. 16 of.....  $0.0000974$

J. E. HILGARD.

Washington, May 3, 1878.

APPENDIX A.—Continued.

COMPARISONS between <sup>Standard</sup> (Well) Yards "Bronze No. 11," "Bronze No. 16" and  
 "Dominion Standard A," May and June, 1877.

COMPARISON of Bronze Yards, Nos. 11 and 16.

Date.	Observer.	No. 16.	No. 11.	Alternate Means.	Difference. No. 16—No. 11.	Tempera- ture.	
1877.							
May 27.							
9.15 a.m.	Hilgard	42.5	d36 3	d37.0	+d5 5	62.8	
			37.6	41.6	+4.0		
		40.8			4.7		
9.22 a.m.	Brunel	44.7	37.3		+7.4		
			37.9		+8.1		
		46.0			7.7		
9.40 a.m.	Hilgard	46.7	41.2	40.7	+6.0	62.9	
			40.3	45.3	+5.0		
		44.0			5.5		
4.30 p.m.	Hilgard	28.6	25.4	25.0	+3.6	61.9	
			24.5	25.8	+1.3		
		23.0		25.1	-2.1		
			25.6	24.7	+0.9		
		26.4		25.4	+1.0		
			25.2	27.3	+2.1		
		28.3		26.2	+2.1		
			27.2		+1.3		
5.00 p.m.	Brunel	31.2	28.3	29.2	+2.0		
			30.1	32.7	+2.6		
		34.3			2.3		
5.20 p.m.	Brunel	23.4	16.3	24.2	+7.9		
		25.0		16.5	+8.5		
			16.7		+8.2		
5.30 p.m.	Hilgard	25.1	23.9	23.5	+1.6	62.3	
			23.2	24.8	+1.6		
		24.5			+1.6		
		After the above observations the yards were interchanged in position.					
May 28							
11.00 a.m.	Hilgard	34.4	41.2	34.6	-6.6	62.2	
				41.1	-6.3		
			41.0		-6.4		



## APPENDIX A.—Continued.

COMPARISON of Bronze Yards, Nos. 11 and 16.—Concluded.

Date.	Observer.	No. 16.	No. 11.	Alternate Means.	Difference. — No. 16—No. 11.	Temperature.
May 28. 11.00 a.m.	Hilgard	37.8		39.6	-1.8	
		41.5	41.4	41.5	0.0	
11.27 a.m.	Brunel	41.0	41.5		-0.9	
		40.8	41.6	42.2	-1.4	
12.20 p.m.	Brunel	38.1	42.7	39.5	-3.2	
		35.7	34.1			
		32.1	33.1	+2.6		
			35.2	+3.1		
3.35 p.m.	Hilgard	34.8			+2.8	
		31.1	33.4	33.1	-2.3	
	35.0		32.6	+2.4		
			31.8	+1.0		
3.45 p.m.	Brunel	58.0	60.4			63° 2
			59.6	60.0	-2.0	
3.00 p.m.	Hilgard	61.0			-1.0	
		59.3	60.9	60.0	-0.9	
		60.8	61.2	-0.4		
		39.7	61.5		-0.6	61.9
3.00 p.m.	Brunel	39.6	37.7	39.7	+2.0	
			34.5	36.1	+3.5	
		42.9		+2.7		
		46.7	39.2	44.8	+5.6	
		43.8	41.5	+5.2		
				+5.4		

After the above comparisons the Dominion Standard A was substituted for No. 16.

## APPENDIX A.—Continued.

## COMPARISON of Bronze Yard No. 11 with Dominion Standard A.

Date.	Observer.	A.	No. 11.	Alternate Means.	Differences. A.—No. 11.	Temperature.	
May 29. 10.40 a.m. ....	Hilgard .....	d73.9				o	
		73.7	d67.3	d73.8 62.2	+6.5 +5.5		
			69.1		6.0		
		Bars interchanged in position.					
	Brunel .....	94.8	82.7	95.0	+12.3		
		95.2		82.2	+13.0		
	Hilgard .....		81.8		+12.6		
		89.7	86.0	91.6	+5.6		
		93.5		87.5	+6.0		
	Russell .....		88.9		5.8		
92.5		87.1	93.6	+6.5	63.5		
	94.8		88.0	+6.8			
May 30. 10.20 a.m. ....	Hilgard .....		88.9		6.6	62.2	
		80.4	72.1	71.5	+8.9		
		80.5	70.9	80.5	+9.7		
	Hilgard .....	76.9	68.2	68.0	+8.9		
			67.9	77.7	+9.8		
11.05 a.m. ....	Hilgard .....	78.5	71.1		9.3		
		82.8	72.0	71.6	+11.2	63.0	
				82.8	10.8		
11.16 a.m. ....	Hilgard .....	82.9	72.5		+11.0		
		84.2	73.1	72.8	+11.4		
				82.7	+9.6		
11.25 a.m. ....	Brunel .....	81.2			+10.5		
		71.4	61.8	62.4	+9.0		
			63.0	72.6	+9.6		
11.55 a.m. ....	Brunel .....	73.8			9.3		
		72.5	63.6	73.5	+8.9	63.5	
				63.2	+9.3		
		72.5		62.8	9.1		
3.00 p.m. ....	Brunel .....	Bars interchanged in position					63.0
			63.0				
		65.4		62.9	+2.5		
			62.8	65.4	+2.6		
	65.4			+2.6			

APPENDIX A.—Continued.

COMPARISON of Bronze Yard No. 11 with Dominion Standard A.—Concluded.

Date.	Observer.	A.	No. 11.	Alternate Means.	Differences. A.—No. 11.	Temperature.	
May 30. 3.05 p.m. ....	Hilgard.....	66 0				°	
		67 5	59 8	66 7 59 3	+6 7 +8 2		
	Hilgard.....	68 7	58 8		+7 5		
		68 0	58 7	68 3 58 3	+9 6 +9 7		
	3.30 p.m. ....	Hilgard.....		58 0			9 6
			70 2	62 1	63 5 71 1		+6 7 +6 3
		Wright.....	72 1				6 5
			67 8	61 3	67 7 62 4		+6 4 +5 2
		Wright.....		63 5			5 8
			71 4	63 9	70 8 64 2		+6 9 +7 2
Wright.....			64 6		7 1		
		72 5	63 3	63 3 72 9	+9 2 +9 5		
4.20 p.m. ....			73 3		+9 3	63 5	
8.40 p.m. ....		Hilgard.....	59 6	54 9	+4 7		
9.00 p.m. ....	Brunel.....	60 6	53 5	+7 1	} 6 1		
	Hilgard.....	61 0	53 5	+7 5			
	Brunel.....	62 4	55 0	+7 4	} 7 2		

No. 16 substituted for No. 11.

APPENDIX A.—Continued.

COMPARISON of Bronze Yard No. 16 with Dominion Standard A.

Date.	Observer.	A.	No. 16.	Alternate Means.	Differences. A.—No. 16.	Temperature.	
May 31. 10.05 a.m. ....	Hilgard.....	49.7	47.3	50.3	+3.0	62.5	
		50.8	46.5	46.9	3.9		
		52.1	49.2	51.4	4.9		
		51.8	48.2	47.8	4.3		
				51.9	2.7		
				48.2	+3.6		
11.40 a.m. ....	Brunel.....		47.1				
			45.0				3.7
		52.2	49.2	47.1	+5.1		
		55.5	51.4	53.8	4.6		
		56.2	50.5	50.3	5.2		
		55.8	4.4				
				51.0	5.2		
				55.5	+5.0		
12.00 m.....	Hilgard.....	54.9			4.9	63.0	
		53.3	50.2	53.7	+3.5		
		54.1	48.8	49.5	+4.6		
					4.0		
Bars interchanged.							
3.15 p.m. ....	Hilgard.....	54.9	47.4	53.9	+6.5	63.1	
		52.9	49.0	48.2	4.7		
		53.6	49.2	53.2	4.2		
		57.2	50.7	49.1	4.5		
				55.4	6.2		
3.40 p.m. ....	Brunel.....		50.7	50.0	7.2		
		53.9	50.2	55.6	+4.9		
		54.2	50.1	50.4	3.5		
3.49 p.m. ....	Hilgard.....		50.1	50.1	4.1		
		56.1	51.2	55.1	5.0		
4.00 p.m. ....	Brunel.....		52.4	51.2	4.9		
		45.8	42.2				
4.15 p.m. ....	Hilgard.....		44.6		3.6		
		49.8	47.2	45.9	+3.9		
		50.1	48.8	50.0	2.8		
4.25 p.m. ....	Brunel.....		51.6	48.0	2.1		
		52.1	51.6	51.1	2.3		
		51.0	51.6	50.2	1.9		
4.45 p.m. ....		51.6	50.8	51.6	+0.0	63.3	
					+0.8		

No. 11 substituted for Standard A.



APPENDIX A.—Continued.

RESUMÉ.

(1). COMPARISON of Bronze Yards No. 11—No. 16.

Date.	Observer.	No. of Observations.	No. 16—No. 11.	—
<b>May 27:</b>				
9.15 a.m.	Hilgard	2	<i>d.</i> + 4.7	
9.22 "	Brunel	2	7.7	
9.40 "	Hilgard	2	5.5	
4.30 p.m.	do	4	1.3	
5.00 "	Brunel	2	2.3	
5.20 "	do	2	8.2	
5.30 "	Hilgard	2	+ 1.6	Bars interchanged.
<b>May 28:</b>				
11.00 a.m.	Hilgard	4	— 3.6	
11.27 "	Brunel	4	— 0.2	
	Hilgard	2	+ 1.0	
3.35 p.m.	do	2	— 1.0	
3.45 "	Brunel	2	— 0.6	
8.00 "	Hilgard	2	+ 2.7	
	Brunel	2	+ 5.4	
<b>May 31:</b>				
8.40 p.m.	Brunel	8	+ 3.2	Bars interchanged.
	Hilgard			
<b>June 1:</b>				
10.10 a.m.	Hilgard	2	+ 6.2	
10.39 "	do	2	3.7	
10.50 "	do	2	4.0	
11.02 "	do	2	4.7	
11.18 "	Brunel	2	5.8	
11.30 "	do	2	+ 5.5	
			<i>d.</i>	
Mean Difference =			+ 3.12 + 0.24	

The mean, 3.12, is obtained by multiplying each result by the number of observations from which it was obtained, and dividing the sum of these quantities by the total number of observations.

## APPENDIX A.—Continued.

## (2). COMPARISON of Bronze Yard No. 11 with Dominion Standard A.

Date.	Observer.	No. of Observations.	A—No. 11.	—
May 29:			<i>d.</i>	
10.40 a.m.....	Hilgard .....	2	+ 6.0	Bars interchanged.
p.m.....	Brunel.....	2	12.6	
	Hilgard .....	2	5.8	
	Russell.....	2	6.6	
May 30:				
10.20 a.m.....	Hilgard.....	2	9.3	Bars interchanged.
	do .....	2	9.3	
11.05 "	do .....	2	11.0	
11.16 "	do .....	2	10.5	
11.25 "	Brunel.....	2	9.3	
11.55 "	do .....	2	9.1	
3.00 p.m.....	Brunel.....	2	2.6	
3.05 "	Hilgard .....	2	7.5	
	do .....	2	9.6	
3.30 "	do .....	2	6.5	
	Wright.....	2	5.8	
	do .....	2	7.1	
4.20 "	do .....	2	9.3	
8.40 "	Hilgard .....	2	6.1	
9.00 "	Brunel.....	2	+ 7.2	
			<i>d.</i>	
Mean Difference =			7.95 ± 0.23	

APPENDIX A.—Continued.

(3). COMPARISON of Bronze Yard No. 16 and Dominion Standard A.

Date.	Observer.	No. of Observations.	A—No. 16.	—
May 31:				
10.05 a.m.....	Hilgard .....	4	<i>d.</i> + 3.7	Bars interchanged.
11.40 " .....	Brunel .....	4	4.9	
12.00 m .....	Hilgard .....	2	4.0	
3.15 p.m.....	Hilgard .....	} 13	3.85	
4.45 " .....	Brunel.....			
Mean Difference = 4.02 =			<i>d.</i> 0.17	

Inch.  
1 Div. of Micrometer = 0.0000203

Hence from the direct comparisons we have

$$\begin{aligned}
 & \text{d.} \\
 \text{No. 16} &= \text{No. 11} + 3.12 = \text{No. 11} + 0.0000633 \quad (1) \\
 \text{A} &= \text{No. 11} + 7.95 = \text{No. 11} + 0.0001614 \quad (2) \\
 \text{A} &= \text{No. 16} + 4.02 = \text{No. 16} + 0.0000816 \quad (3)
 \end{aligned}$$

From (1) we have

$$\text{No. 16} = \text{No. 11} + 0.0000633$$

From (2) and (3)

$$\text{No. 16} = \text{No. 11} + 0.0000798$$

The discrepancy = 0.0000165, is so small that it may be, without sensible error, apportioned equally among the three results, and we will have

$$\begin{aligned}
 & \text{Inch.} \quad \text{Inch.} \\
 \text{No. 16} &= \text{No. 11} + 0.0000688 \pm 0.0000049 \\
 \text{A} &= \text{No. 11} + 0.0001559 \pm 0.0000047 \\
 \text{A} &= \text{No. 16} + 0.0000871 \pm 0.0000034
 \end{aligned}$$

for the results of the comparisons of May 27 to June 1st, between Bronze Yards Nos. 11 and 16 and Dominion Standard "A."

J. E. HILGARD.

WASHINGTON, 3rd May, 1878.



BRANTFORD, 5th March, 1878.

SIR,—I send, for your private information, records of the excess and deficiency in weights tested by me in Paris, County of Brant, during the months of April, May and June in 1877. These are a fair sample of the condition in which the weights were in other parts of the county.

I desire to call your attention to the case of Mr. ———, a leading miller in this part of Ontario. His loss during the year 1876, from an excess in a barrel weight, was estimated by his clerk at \$1,260. You will also notice that the weights on his platform scales were, in nearly every case, deficient, and as these were used at his mill and storehouses in the purchase of grain, the loss from this cause must have been very large.

The condition of platform scales in the county, particularly those in use in merchants' shops, and also such as were presented by farmers, was bad almost beyond belief, and required a great deal of labour before they were made to work correctly.

Thus far this year, in the course of the second inspection, I find scales and weights in good order as a rule.

I am, yours truly,

JOHN ALLAN,

*Deputy Inspector of Weights and Measures,  
County of Brant.*

A. BRUNEL, Esq., Ottawa.

YARMOUTH, October 25th, 1878.

1st. SIR,—I received your telegram this morning, and report as follows:—When I was on Cape Sable Island on the duties of inspection, I notified Reuben Smith and Elzear Crowell for inspection. What articles they brought I inspected for them. I then asked them personally if they had no other articles for inspection; their reply was that they had not.

2nd. I then noticed a schooner lying in the harbour taking on board dry fish, which I supposed they were weighing; I then got a party to put me on board and found it was Mr. Smith's schooner, and he was weighing the fish with an Equal Arm Scale. I then examined the scale and found it was incorrect. I then seized it and had it brought on shore. I then hung it up and found it would take 2 lbs. to balance it. I then took the weights, viz.: two of 56 lbs., one of 28 lbs., and one of 14 lbs. and found them to be  $7\frac{3}{4}$  lbs. too heavy. I also found in the pan of the scale which contained the weights four bolts of iron, which would weigh about 4 lbs., by adding these amounts together he was actually getting  $15\frac{1}{2}$  lbs. too much weight on every draught he was weighing. He, Mr. Smith, informed me that those scales belonged to Mr. Elzear Crowell and he had borrowed them to weigh the fish that he was taking on board of schooner, which would be about 700 quintals. The above I can prove by Mr. Nicholson who was with me at the time.

3rd. As regards Mr. Crowell's measures there was two of half a bushel each, one was rejected on my first tour, and the other I would not receive. The one I rejected was 25,369 grains too small, and the other was not worthy of inspection. Still he used them until I called on him for second inspection, and as he did not bring them for inspection and parties complained of him, I then thought it was my duty to seize them, which I did.

Waiting your further instructions,  
I am, Sir,  
Your obedient servant,

JOHN M. LECAIN.

*Deputy Inspector of Weights and Measures.*

A. BRUNEL, Esq., Commissioner,  
Ottawa.

---

WEIGHTS AND MEASURES OFFICE,  
DIVISION OF THREE RIVERS,  
29th Nov., 1878.

A. BRUNEL, Esq.,  
Commissioner of Inland Revenue,  
Ottawa.

SIR,—Adolphe Millette, laborer, of the parish of Yamachiche, called at my Office this morning and lodged a complaint against Aimé Lamy, a well to do farmer, also of the parish of Yamachiche, for having sold him goods with balances and weights not verified. The complainant declares that he bought nine pounds of wool from the said Lamy and that there is wanting one pound and four ounces of the proper weight.

Circular No. 121 authorizes me to seize balances and weights not verified, but as this would cause some expense, I thought it my duty to inform you of the fact. (The expenses would amount to three dollars). It would be worth while making this seizure in order to give an example to those who are using balances and weights not verified.

Luc Bollefeuille and some few others of the parish of St. Barnabé are using balances and weights not verified, though I have notified them personally.

I have the honor to be, Sir,  
Your obedient servant,

WM. CHAGNON,  
D. I. W. & M.

STANDARDS DEPARTMENT,  
BOARD OF TRADE, S.W.  
8th March, 1878.

DEAR MR. BRUNEL,—We have to thank you for your valuable memorandum (Appendix K., 4th Report, page 77) on the Roberval balance containing Prof. Cherriman's mathematical consideration and formula.

This is a balance in which we also are much interested, as complaints have been made here of its use.

The Roberval balance proper appears to me, however, to be so excellent a weighing instrument that I am anxious to save its good name.

The Roberval balance as stamped and used in France does not, so far as we can ascertain, possess the jointed lever shown as *a., g., a.*, in the engraving, page 78, of your report, but it possesses only a single lever or rigid frame so locked at its centre or fulcrum that any displacement of the balance is difficult. (*See* enclosed sketch *d.*) *See Diagram No. 2.*

Imitations of the Roberval balance as shewn in the figure 154 (*See Diagram No. 1*) now enclosed, are largely used in this country. In event of any change in our law here, it is possible their use would be prohibited eventually, as it is possible to alter such imitations by substituting for the jointed lever *a., g., a.*, the single rigid lever locked as shewn at *d.* *See Diagram No. 2.*

Medhurst, of London, and Pfitzer, of Berlin, have improved on these imitations of the Roberval balance.

A good Roberval counter scale is now selling in London at a low price, 15 shillings, but it is not so convenient a form as the counter scale 154.

I remain,

Faithfully yours,

(Signed) H. J. CHANEY.

P. S.—I will send you a copy of our Weights and Measures Bill when it has passed the Commons.

The following is the diagram reprinted from the Fourth Report and referred to in Mr. Chaney's letter. The diagrams included by Mr. Chaney are also given herewith.

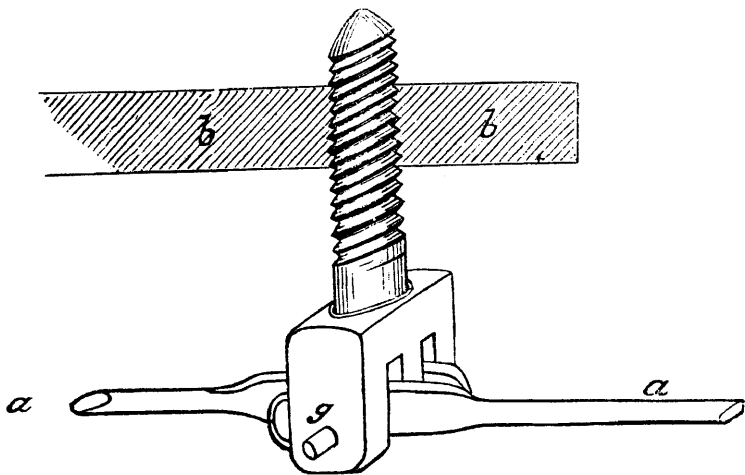
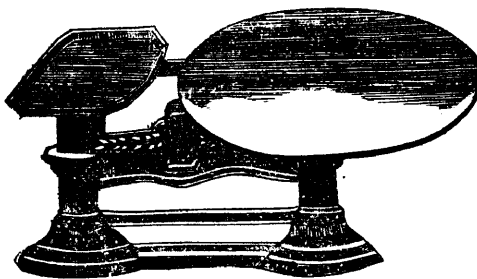


DIAGRAM No. 1.

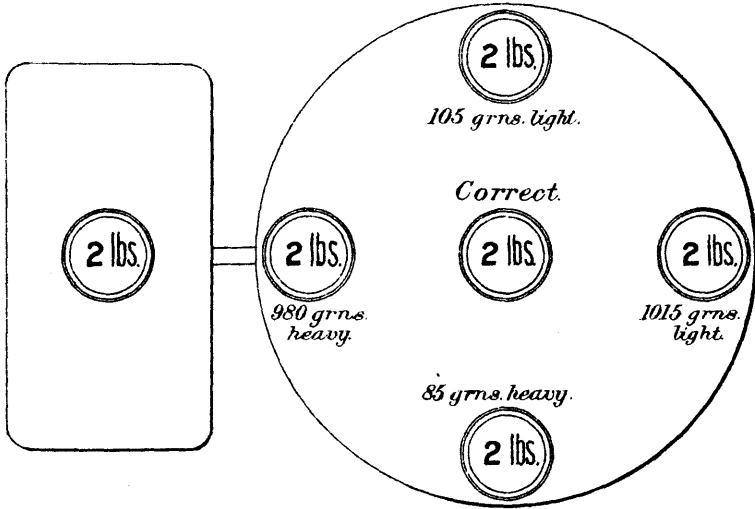


No. 154 Counter Weighing Machine.

Diagram 2.

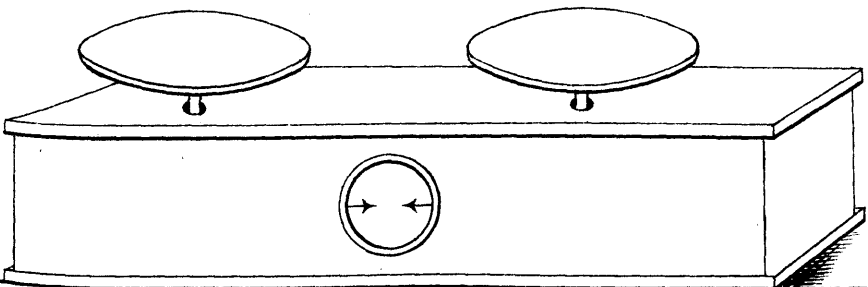
IMITATION OF ROBERVAL BALANCE,  
*with double jointed levers.*

CHEESEMONGERS SCALE,  
*with Earthenware pan.*



*Load placed respectively at each of the five places marked.*

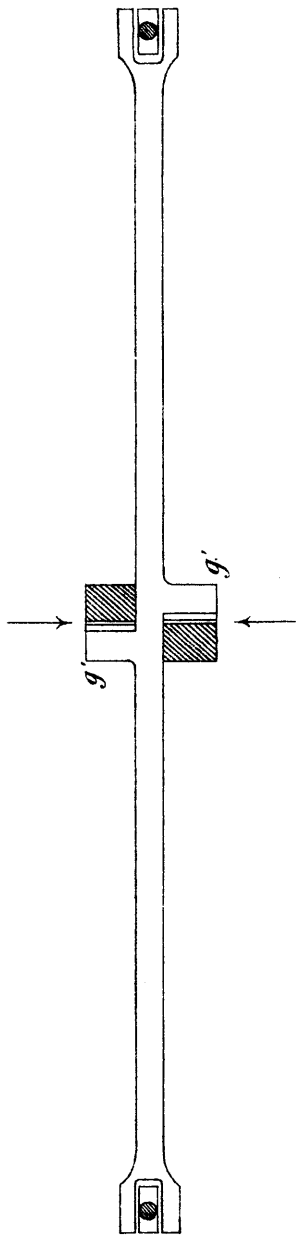
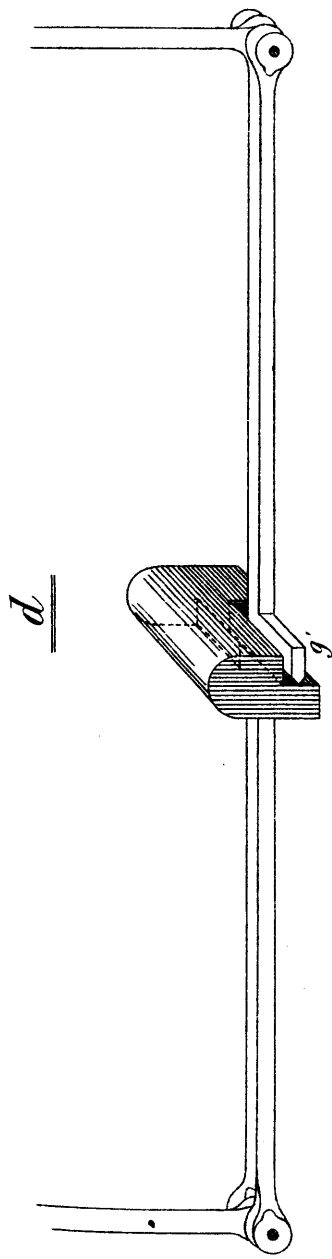
FRENCH TOBACCONIST'S SCALE.



*The right pan is nearly one grain heavy but the position of the weights in the pan does not affect the balance.*



Diagram 3



*Rigid lever locked at  $g'$  and bearing at  $\rightarrow \leftarrow$*





## APPENDIX B.

STATEMENT of Expenditure and Receipts for the Year ending 30th June, 1878.

Inspection Divisions.	Deputy Inspectors.	Expenditure.				Receipts.
		Office Rents.	Travelling Expenses and other Contingencies.	Salaries.	Total.	Fees collected.
		\$ cts.	\$ cts.	\$ cts.	\$ cts.	\$ cts.
<i>Ontario.</i>						
Algoma .....	Wm. Carney .....	60 00	124 01	500 00	684 01	122 14
Brant .....	John Allen .....	75 00	256 31	500 00	831 34	458 83
Brockville .....	S. Carruthers .....	150 00	155 09	600 00	905 09	931 63
Bruce .....	C. B. Stevens .....	117 50	517 20	500 00	1,134 70	858 41
Dundas .....	E. F. Loucks .....	60 00	150 61	500 00	710 61	307 70
Durham .....	C. F. Randall .....	95 10	116 40	500 00	711 50	273 49
Elgin .....	John Campbell .....	150 00	290 50	500 00	940 50	463 48
Essex .....	B. Her .....	120 00	52 40		172 40	165 25
Glengarry .....	F. McRae .....	80 00	109 96	500 00	689 96	135 82
Grey .....	D. Campbell .....	100 00	122 85	500 00	722 85	331 37
Halton .....	Thos. Smith .....	75 00	71 00	500 00	646 00	66 35
Hamilton .....	{ H. Sheppard .....	250 00	241 12	1,900 00	2,391 12	3,342 12
	{ M. Murphy .....					
	{ J. Rymal .....					
Hastings .....	J. P. Macdonnell .....	75 00	86 25	600 00	761 25	227 58
Huron .....	Chas. Morrow .....	75 00		500 00	575 00	14 90
Kent .....	John Watts .....	138 00	38 24	500 00	674 24	207 33
Kingston .....	W. L. Baxter .....	50 00	93 93	700 00	843 93	320 66
Lambton .....	W. McLean .....	180 00	122 34	500 00	802 34	546 02
Lanark .....	J. W. Manning .....	60 00	273 44	500 00	833 44	585 14
Lennox .....	Geo. B. Sills .....	120 00	269 95	500 00	889 95	875 97
London .....	J. J. Spettigue .....		131 19	916 99	1,048 18	180 14
Middlesex .....	Jas. Campbell .....	180 00	77 70	500 00	757 70	205 90
Muskoka .....	Jas. Snarpe .....	72 00	76 08	500 00	648 08	102 83
Niagara .....	L. D. Winchester .....	120 00	59 09	600 00	779 09	355 19
Norfolk .....	Wm. Roberts .....	125 00	116 43	458 34	699 77	232 54
Northumberland .....	J. H. Willoughby .....	50 00	98 40	500 00	648 40	235 35
Ontario .....	T. C. Forman .....	80 00	51 73	600 00	731 73	88 87
Ottawa .....	E. A. Lapierre .....	100 00	238 91	1,000 00	1,338 91	404 45
Oxford .....	G. H. Hutson .....	187 50	163 65	600 00	951 15	822 54
Peterborough .....	F. W. Hall .....	120 00	4 60	500 00	624 60	87 80
Prince Edward .....	Robt. Boyle .....	80 00	94 14	500 00	674 14	162 58
Renfrew .....	Jas. Stewart .....	80 00	16 90	500 00	596 90	90 56
Simcoe .....	H. W. Laird .....	40 00	37 35	600 00	677 35	217 85
Stratford .....	J. H. Gould .....	182 40	298 66	450 01	931 07	546 91
Toronto .....	{ J. Wingfield .....		25 00	1,600 00	1,625 00	1,751 53
	{ Thos. Berkinshaw .....					
Victoria .....	W. A. Silverwood .....	90 00	10 25	500 00	600 25	62 17
Waterloo .....	A. Young .....	115 00	251 01	600 00	966 01	581 40
Welland .....	A. A. Davis .....	50 00	122 06	500 00	672 06	391 04
Wellington .....	W. Carroll .....	120 00	330 95	600 00	1,050 95	948 68
York .....	H. McCutcheon .....	127 50	159 15	600 00	886 65	457 15
		3,948 00	5,454 88	23,425 34	32,828 22	18,159 67
<i>Quebec.</i>						
Beauce .....	J. B. Mercier .....	50 00		500 00	550 00	17 85
Beauharnois .....	C. B. Dewitt .....	73 32	93 24	500 00	666 56	114 26
Bellechasse .....	F. Lamontagne .....	28 00	21 50	500 00	549 50	9 55
Berthier .....	A. Coust .....	80 00	25 24	500 00	605 24	61 35
Chambly .....	E. Lamoureux .....	71 60	85 90	500 00	657 50	33 65
Champlain .....	H. A. Cinq-Mars .....	80 00	13 69	500 00	593 69	3 95
Drummond .....	P. N. Pacaud .....	99 97	23 84	500 00	623 81	
Gaspé .....	G. M. Michaud .....	60 00	362 70	500 00	922 70	418 35
Hull .....	{ A. Berthiaume .....	111 66	348 28	974 46	1,434 40	392 82
	{ P. Lynch .....					
Iberville .....	J. M. Lanier .....	104 99	71 06	500 00	676 05	117 50
Joliette .....	J. L. B. Desrochers .....	100 00	15 40	500 00	615 40	155 30
Kamouraska .....	J. O. Chamberland .....	60 59	104 01	500 00	664 60	318 75
Labrador .....	N. Grenier .....			500 00	500 00	

## APPENDIX B.—Continued.

STATEMENT of Expenditure and Receipts for the Year ending 30th June 1878.—Continued.

Inspection Divisions.	Deputy Inspectors.	Expenditure.				Receipts.
		Office Rents.	Travelling Expenses and other Contingencies	Salaries.	Total.	Fees Collected.
		\$ cts.	\$ cts.	\$ cts.	\$ cts.	\$ cts.
<i>Quebec.—Continued.</i>						
Laval.....	L. B. Daoust.....	50 00	37 20	500 00	617 20	90 95
Lévis.....	A. Leveque.....	100 00	20 49	500 00	620 49	27 65
Lotbinière.....	H. J. de St. George.....	55 00	80 30	500 00	635 30	72 25
Missisquoi.....	B. A. Haskell.....	50 00	48 50	500 00	598 50	235 70
Montmagny.....	N. Nadeau.....	50 00	.....	500 00	550 00	88 05
Montmorenci.....	T. Larue.....	24 00	153 60	500 00	677 60	67 05
Montreal.....	L. N. F. Roy.....	.....	341 70	2,442 56	2,784 26	4,629 95
	S. Quinn.....					
	D. Lyons.....					
	— Dagenais.....					
Quebec.....	Jos. Gregoire.....	.....	273 08	1,600 00	1,873 08	360 05
	E. Dubord.....					
Richelieu.....	Chas. Blais.....	88 00	186 38	500 00	774 38	266 77
Rimouski.....	D. Ouellet.....	25 00	106 50	500 00	631 50	127 00
Saguenay.....	H. Simard.....	50 00	179 37	500 00	729 37	196 06
Sherbrooke.....	H. J. Pennoyer.....	75 00	106 35	500 00	681 35	246 79
St. Hyacinthe.....	F. L. Desrivières.....	71 32	17 17	500 00	588 49	139 35
Terrebonne.....	Thos. Lamb.....	30 00	41 25	500 00	571 25	97 00
Three Rivers.....	Wm. Chagnon.....	.....	85 33	500 00	585 33	335 66
<i>New Brunswick.</i>		1,618 45	2,842 08	17,517 02	21,977 55	8,623 61
Fredericton.....	E. C. Freeze.....	100 00	23 15	500 00	623 15	84 21
Kings.....	W. O. Slipp.....	60 00	14 34	500 00	574 34	0 50
Moncton.....	J. T. Carter.....	60 00	1 84	500 00	561 84	43 35
Northumberland.....	R. B. Cutler.....	.....	54 90	500 00	554 90	.....
Restigouche.....	J. Blanchard.....	.....	105 00	500 00	605 00	.....
St. John.....	Jas. Macfarlane.....	125 00	846 39	1,000 00	1,971 39	407 47
Woodstock.....	Wm. Dibblee.....	50 00	199 36	500 00	749 36	159 85
		395 00	1,244 98	4,000 00	5,639 98	695 38
<i>Nova Scotia.</i>						
Annapolis.....	E. E. Tupper.....	60 00	66 54	500 00	626 54	121 70
Cape Breton.....	L. Tremaine.....	80 00	74 23	500 00	654 23	25 05
Colchester.....	A. McKay.....	100 00	229 60	500 00	829 60	397 21
Guyssborough.....	A. J. O. Maguire.....	100 00	118 65	500 00	718 65	19 97
Halifax.....	Jas. Pryor.....	241 30	12 35	1,000 00	1,253 65	47 05
Hants.....	S. G. Kerr.....	.....	.....	500 00	500 00	12 25
Inverness.....	Peter Grant.....	80 00	251 84	500 00	831 84	133 82
Lunenburg.....	J. Hendry.....	100 00	93 87	5 00	693 87	92 32
Pictou.....	H. Fraser.....	80 00	18 50	500 00	598 50	122 10
Yarmouth.....	J. M. Lacain.....	75 00	425 99	500 00	1,000 99	892 41
		916 30	1,291 57	5,500 00	7,707 87	1,863 89
<i>Prince Edward Island.</i>						
Queens.....	A. Ferguson.....	100 00	262 31	500 00	862 31	291 85
Kings.....	A. J. Macdonald.....	46 66	140 17	500 00	686 83	42 30
Prince.....	Peter Gunn.....	.....	46 95	109 68	156 63	31 50
		146 66	449 43	1,109 68	1,705 77	365 65
Manitoba.....	R. T. Haggard.....	.....	77 50	782 79	860 29	130 40

APPENDIX B.—*Concluded.*STATEMENT of Expenditure and Receipts for the Year ending 30th June,  
1878.—*Continued.*

## SUMMARY.

	Office Rents.	Con- tingencies.	Salaries.	Total.	Receipts.
	\$ cts.	\$ cts.	\$ cts.	\$ cts.	\$ cts.
Province of Ontario.....	3,948 00	5,454 88	23,425 34	32,828 22	18,159 67
do Quebec.....	1,618 45	2,842 08	17,517 02	21,977 55	8,623 61
do New Brunswick.....	395 00	1,244 98	4,000 00	5,639 98	695 38
do Nova Scotia.....	916 30	1,291 57	5,500 00	7,707 87	1,863 89
do Prince Edward Island ...	146 66	449 43	1,109 68	1,705 77	365 65
do Manitoba.....		77 50	782 79	860 29	130 40
	7,024 41	11,360 44	52,334 83	70,719 68	29,838 60

APPENDIX

RETURN of the Weights and Measures Inspected during the Fiscal Year Verified and Rejected, for each Division, for

NAME OF INSPECTION OFFICE.	WEIGHTS.						MEASURES OF CAPACITY.					
	Dominion Weights.			Tolerated Weights.			Dominion Measures.			Tolerated Measures.		
	Brought for Verification.	Verified.	Rejected.	Brought for Verification.	Verified.	Rejected.	Brought for Verification.	Verified.	Rejected.	Brought for Verification.	Verified.	Rejected.
<i>Ontario.</i>												
Algoma.....	199	199	.....	113	113	.....	112	112	.....	.....	.....	.....
Brant.....	1668	1668	.....	163	163	.....	829	829	.....	.....	.....	.....
Brockville.....	4732	4732	.....	280	280	.....	415	415	.....	78	78	.....
Bruce.....	2221	2221	.....	241	241	.....	523	523	.....	.....	.....	.....
Dundas.....	95	95	.....	744	741	3	247	247	.....	.....	.....	.....
Durham.....	2116	2116	.....	227	227	.....	337	337	.....	290	289	.....
Elgin.....	2110	2110	.....	186	186	.....	1803	1803	.....	283	283	.....
Essex.....	472	472	.....	59	59	.....	154	154	.....	257	257	.....
Glengarry.....	1051	1051	.....	99	99	.....	184	184	.....	.....	.....	.....
Grey.....	1675	1675	.....	184	184	.....	146	146	.....	.....	.....	.....
Halton.....	180	180	.....	15	15	.....	.....	.....	.....	.....	.....	.....
Hamilton.....	11967	11967	.....	473	473	.....	3335	3335	.....	.....	.....	.....
Hamilton (Wentworth).....	231	231	.....	14	14	.....	1	1	.....	.....	.....	.....
Hastings.....	718	718	.....	48	48	.....	239	239	.....	24	24	.....
Kent.....	933	911	22	113	113	.....	314	313	1	236	220	16
Kingston.....	755	755	.....	92	92	.....	1258	1258	.....	.....	.....	.....
Lambton.....	1915	1915	.....	88	88	.....	133	133	.....	.....	.....	.....
Lanark.....	1834	1834	.....	171	170	1	528	527	1	.....	.....	.....
Lennox.....	1638	1638	.....	191	191	.....	6517	6517	.....	.....	.....	.....
London.....	2453	2440	13	260	260	.....	1483	1468	15	.....	.....	.....
Middlesex.....	1397	1397	.....	116	116	.....	570	570	.....	.....	.....	.....
Muskoka.....	629	629	.....	46	46	.....	133	132	1	5	5	.....
Niagara.....	1047	1047	.....	80	80	.....	553	553	.....	.....	.....	.....
Norfolk.....	729	707	22	64	64	.....	62	62	.....	.....	.....	.....
Northumberland.....	1093	1093	.....	89	89	.....	223	220	3	36	36	.....
Ontario.....	550	550	.....	34	34	.....	131	131	.....	.....	.....	.....
Ottawa.....	1669	1656	13	186	186	.....	859	838	21	.....	.....	.....
Oxford.....	3133	3106	27	264	257	7	1098	1095	3	.....	.....	.....
Peterborough.....	124	124	.....	19	19	.....	15	15	.....	3	3	.....
Prince Edward.....	1315	1315	.....	99	99	.....	186	177	9	.....	.....	.....
Renfrew.....	353	353	.....	19	19	.....	23	23	.....	.....	.....	.....
Simcoe.....	378	378	.....	24	24	.....	140	140	.....	.....	.....	.....
Stratford.....	1763	1763	.....	144	141	3	159	159	.....	205	204	1
Toronto.....	6017	5997	20	601	601	.....	2800	2784	16	2610	1741	869
Victoria.....	130	130	.....	16	16	.....	31	31	.....	.....	.....	.....
Waterloo.....	1798	1798	.....	110	110	.....	145	145	.....	.....	.....	.....
Welland.....	1297	1297	.....	772	772	.....	254	254	.....	84	84	.....
Wellington.....	2322	2322	.....	220	220	.....	602	602	.....	.....	.....	.....
York.....	1700	1700	.....	186	186	.....	269	269	.....	.....	.....	.....
Total.....	66407	66290	117	6850	6836	14	26801	26731	70	4111	3224	887

C.

ended 30th June, 1878, showing the Total Number brought for Verification, each Province and for the whole Dominion.

MEASURES OF LENGTH.			BALANCES.									IRREGULAR WEIGHTS.		
			Equal-armed Balances.			Steelyards.			Platform Scales, Weigh Bridges, &c.					
Brought for Verification.	Verified.	Rejected.	Brought for Verification.	Verified.	Rejected.	Brought for Verification.	Verified.	Rejected.	Brought for Verification.	Verified.	Rejected.	Brought for Verification.	Verified.	Rejected.
3	3		31	31		5	5		74	74		121	121	
8	8		143	143		28	28		310	310		297	297	
569	569		201	201		9	9		510	510				
35	35		197	197		37	37		362	362				
29	29		63	59	4	1	1		190	180	10	135	134	1
110	110		159	158	1	8	8		380	378	2	419	419	
132	132		143	142	1	33	32	1	327	327				
13	13		37	37		7	7		91	91		89	89	
51	2		123	123		19	19		132	132				
53	53		125	125		1	1		304	304		232	232	
			11	11		2	2		37	37				
190	190		825	825		165	165		1491	1491		1645	1645	
9	9		14	14		1	1		39	39		40	40	
2	2		58	58		8	8		127	127		15	15	
103	103		109	109		7	7		153	153		163	163	
44	44		75	75		2	2		104	104				
108	108		152	152		8	8		254	254		85	85	
37	37		144	144		8	8		337	336	1			
			101	101		27	27		297	297				
46	46		212	212		62	55	7	381	378	3	272	272	
111	111		101	101		12	12		231	230	1	235	235	
38	38		42	41	1				90	87	3	25	25	
2	2		77	77					149	148	1	217	217	
21	21		60	55	5	24	18	6	143	137	6			
7	6	1	94	94		10	10		172	172		171	171	
30	30		32	32		8	8		96	96		15	15	
16	16		116	116		2	2		188	187	1			
89	89		210	202	8	51	50	1	531	513	18			
4	4		13	13					20	20				
8	8		83	83		5	3	2	219	219		39	39	
27	27		23	23					66	67				
28	28		24	21		8	8		90	85	5			
4	4		85	77	8	23	23		367	358	9			
218	217	1	560	555	5	148	147	1	582	581	1	118	118	
11	11		15	15		4	4		18	18		35	35	
105	105		96	96		10	10		263	263		47	47	
3	3		249	249		7	7		373	373		333	333	
104	104		160	160		7	7		439	439				
43	43		133	133		19	19		255	255		72	72	
2365	2363	2	5103	5070	33	782	764	18	10192	10131	61	4820	4819	1

APPENDIX

RETURN of the Weights and Measures Inspected during

NAME OF INSPECTION OFFICE.	WEIGHTS.						MEASURES OF CAPACITY.					
	Dominion Weights.			Tolerated Weights.			Dominion Measures.			Tolerated Measures.		
	Brought for Verification.	Verified.	Rejected.	Brought for Verification.	Verified.	Rejected.	Brought for Verification.	Verified.	Rejected.	Brought for Verification.	Verified.	Rejected.
<i>Quebec.</i>												
Beauce .....	77	77		15	15							
Beauharnois.....	769	769		115			679	679				
Bellechasse .....	18	18										
Berthier .....	94	94		4	4		23	23				
Chambly.....	95	95		16	16		5	5				
Champlain .....	1	1		4	4		11	11				
Gaspé .....	395	130	265	1433	1360	73	62	62		120	120	
Hull .....	1088	1062	26	154	150	4	76	74	2			
Hull (Pontiac) .....	337	337		29	29		146	146				
Iberville .....	890	890					55	55				
Joliette .....	622	622		125	125		644	644				
Kamouraska.....	498	498		399	398	1	2	1	1			
Laval .....	322	322					90	90				
Levis .....	116	116		15	15		2	2				
Lothinière.....	242	142		118	118							
Missisquoi .....	131	131		244	244		106	106				
Montmagny.....	129	129		116	116							
Montmorency.....	313	313		151	151							
Montreal.....	17609	17580	29	1931	1929	2	10386	10380	6			
Quebec.....	2575	2575		72	72		398	398				
Richelieu.....	781	775	6	207	204	3	414	411	3			
Rimouski.....	12	12		221	221		7	7				
Saguenay .....	784	784		278	278		145	145				
Sherbrooke .....	930	930		74	74		193	193				
St. Hyacinthe.....	881	881		140	140		103	103		13	13	
Terrebonne.....	234	234		306	306		614	614				
Three Rivers.....	366	356		363	363		898	898		553	553	
<b>Total .....</b>	<b>30299</b>	<b>29973</b>	<b>326</b>	<b>6530</b>	<b>6447</b>	<b>83</b>	<b>15059</b>	<b>15047</b>	<b>12</b>	<b>686</b>	<b>686</b>	
<i>New Brunswick.</i>												
Fredericton .....	238	238		64	64							
Kings .....												
Moncton .....	68	68		11	11					2	2	
St. John .....	1504	1336	168	250	228	22				1072	1072	
Woodstock.....	479	310	169	35	11	24				213	168	45
<b>Total .....</b>	<b>2289</b>	<b>1952</b>	<b>337</b>	<b>360</b>	<b>314</b>	<b>46</b>				<b>1287</b>	<b>1242</b>	<b>45</b>

C.—Continued.

the Fiscal Year ended 30th June, 1878, &c.—Continued.

MEASURES OF LENGTH.			BALANCES.									IRREGULAR WEIGHTS.		
			Equal-armed Balances.			Steelyards.			Platform Scales, Weigh Bridges, &c.					
Brought for Verification.	Verified.	Rejected.	Brought for Verification.	Verified.	Rejected.	Brought for Verification.	Verified.	Rejected.	Brought for Verification.	Verified.	Rejected.	Brought for Verification.	Verified.	Rejected.
1	1		7	5	2				9	9				
83	83		129	129		1	1		169	169				
5	5		1	1					5	5				
8	8		18	18					19	19				
			12	12					9	9				
73	67	6	258	258		40	40		69	69				
18	13	5	87	85	2				170	150	20			
31	31		13	13		2	2		121	119	2	26	26	
6	7		87	87					109	109				
19	19		107	107					35	35				
97	95	2	165	161	4	28	26	2	56	56				
2	2		22	22					32	32				
8	8		11	11					15	15				
18	18		48	48		1	1		18	18				
21	21		25	25					98	98		191	191	
			36	36		10	10							
			51	51					13	13				
368	368		1586	1585	1	47	47		1209	1209				
40	40		154	154		4	4		36	36				
62	54	8	149	147	2				94	94				
35	35		61	61					19	18	1			
387	387		140	140		44	44		39	39				
30	30		68	68		3	3		256	256		311	311	
			134	134					11	11				
24	24		93	93					69	69				
28	28		156	156		1			61	61				
364	1343	21	3618	3607	11	182	180	2	2741	2718	23	528	528	
			56	56		4	4		56	55	1	7	7	
			1	1										
									37	37				
84	84		214	214		44	44		214	214				
6	5	1	42	34	8	1	1		90	71	19			
90	89	1	313	305	8	49	49		397	377	20	7	7	

APPENDIX

RETURN of the Weights and Measures Inspected during

NAME OF INSPECTION OFFICE.	WEIGHTS						MEASURES OF CAPACITY.					
	Dominion Weights.			Tolerated Weights.			Dominion Measures.			Tolerated Measures.		
	Brought for Verification.	Verified.	Rejected.	Brought for Verification.	Verified.	Rejected.	Brought for Verification.	Verified.	Rejected.	Brought for Verification.	Verified.	Rejected.
<i>Nova Scotia.</i>												
Annapolis.....	31	31	.....	163	163	.....	6	6	.....	76	76	.....
Cape Breton.....	52	52	.....	6	6	.....	2	2	.....	52	52	.....
Colchester.....	1121	1121	.....	95	95	.....	212	212	.....	.....	.....	.....
Guysborough.....	10	10	.....	66	66	.....	2	2	.....	.....	.....	.....
Halifax.....	65	65	.....	22	22	.....	16	16	.....	.....	.....	.....
Inverness.....	152	152	.....	286	286	.....	156	154	2	.....	.....	.....
Lunenburg.....	219	219	.....	79	79	.....	179	179	.....	208	208	.....
Pictou.....	196	196	.....	27	27	.....	.....	.....	.....	.....	.....	.....
Yarmouth.....	877	877	.....	315	315	.....	695	695	.....	601	428	173
Total.....	2723	2723	.....	1059	1059	.....	1268	1266	2	937	764	173
<i>P. E. Island.</i>												
Kings.....	188	188	.....	20	20	.....	64	64	.....	.....	.....	.....
Queens.....	935	935	.....	99	99	.....	76	76	.....	9	9	.....
Total.....	1123	1123	.....	119	119	.....	140	140	.....	9	9	.....
Manitoba.....	277	277	.....	25	25	.....	45	45	.....	200	200	.....

RECAPIT

Ontario.....	66407	66290	117	6850	6836	14	26801	26721	70	4111	3224	887
Quebec.....	30299	29973	326	6530	6447	83	15059	15047	12	686	686	.....
New Brunswick.....	2289	1952	337	360	314	46	.....	.....	.....	1287	1242	45
Nova Scotia.....	2723	2723	.....	1059	1059	.....	1268	1266	2	937	764	173
P. E. Island.....	1123	1123	.....	119	119	.....	140	140	.....	9	9	.....
Manitoba.....	277	277	.....	25	25	.....	45	45	.....	200	200	.....
Total.....	103118	102338	780	14943	14800	143	43313	43229	84	7230	6125	1105



C. — Concluded.

the Fiscal Year ended 30th June, 1878, &c.—Concluded.

MEASURES OF LENGTH.			BALANCES.									IRREGULAR WEIGHTS.		
			Equal-armed Balances.			Steelyards.			Platform Scales, Weigh Bridges, &c.					
Brought for Verification.	Verified.	Rejected.	Brought for Verification.	Verified.	Rejected.	Brought for Verification.	Verified.	Rejected.	Brought for Verification.	Verified.	Rejected.	Brought for Verification.	Verified.	Rejected.
1	1	.....	3	3	.....	.....	.....	.....	13	13	.....	.....	.....	.....
10	10	.....	105	105	.....	.....	.....	.....	261	261	.....	.....	.....	.....
5	5	.....	12	12	.....	4	4	.....	15	15	.....	.....	.....	.....
52	52	.....	8	8	.....	.....	.....	.....	24	24	.....	.....	.....	.....
78	78	.....	75	63	12	12	12	.....	153	148	5	.....	.....	.....
5	78	.....	85	85	.....	10	10	.....	86	86	.....	.....	.....	.....
187	5	.....	26	26	.....	.....	.....	.....	64	64	.....	.....	.....	.....
369	187	.....	219	215	4	90	83	7	397	394	3	.....	.....	.....
2	369	.....	589	573	16	120	113	7	1078	1070	8	194	194	.....
2	2	.....	21	21	.....	2	2	.....	36	35	1	.....	.....	.....
2	.....	.....	91	91	.....	6	6	.....	161	161	.....	.....	.....	.....
2	2	.....	112	112	.....	8	8	.....	197	196	1	.....	.....	.....
24	24	.....	7	7	.....	7	7	.....	54	54	.....	.....	.....	.....

ULATION.

2365	2363	2	5103	5070	33	782	764	18	10192	10131	61	4820	4819	1
1364	1343	21	3616	3607	11	182	180	2	2741	2718	23	528	528	.....
90	89	1	313	305	8	49	49	.....	397	377	28	7	7	.....
369	369	.....	589	573	16	120	113	7	1078	1070	8	194	194	.....
2	2	.....	112	112	.....	8	8	.....	197	196	1	.....	.....	.....
24	24	.....	7	7	.....	7	7	.....	54	54	.....	.....	.....	.....
4214	4190	24	9742	9674	68	1148	1121	27	14659	14546	113	5849	5548	1

APPENDIX

RETURN showing the Number of Dominion and Tolerated Weights and Lineal Division, during the Fiscal

DIVISION.	DOMINION WEIGHTS.															
	Avoirdupois.															
	50 lbs.	30 lbs.	20 lbs.	10 lbs.	5 lbs.	3 lbs.	2 lbs.	1 lb.	8 ozs.	4 ozs.	2 ozs.	1 oz.	8 drs.	4 drs.	2 drs.	1 dr.
<i>Ontario.</i>																
Algoma .....					14	24	41	40	33	14	11	8	5	4	2	3
Brant .....					179	150	388	400	132	96	90	94	78	57	2	2
Brockville .....			1		200	335	960	1130	471	381	388	448	399	16	1	1
Bruce .....					214	197	560	455	217	129	126	128	125	122	3	2
Dundas .....			1		1	2	3	3	17	16	15	16	11	5	2	2
Durham .....			7		211	216	483	497	219	110	106	102	93	58	6	8
Elgin .....	2	1		13	139	148	684	618	94	93	91	90	80	54	1	1
Essex .....				2	40	49	85	118	69	30	23	21	20	10	3	3
Glengarry .....					56	126	327	326	48	47	45	41	31	4		5
Grey .....					101	135	353	344	185	127	124	121	99	72	4	
Halton .....					39	33	63	40	1	1	1	1				
Hamilton (City) .....			2		475	910	2359	2469	1619	833	831	837	811	821		
Hamilton (Wentworth) .....				1	22	28	44	52	20	13	12	14	12	13		
Hastings .....					55	78	220	251	21	23	22	22	18	6	2	2
Kent .....					1	78	69	235	249	109	48	45	42	33	22	1
Kingston .....				32	71	76	206	215	33	28	30	25	24	15		15
Lambton .....				17	171	178	449	409	203	98	96	97	92	77	11	4
Lanark .....			1	6	116	179	614	644	60	49	48	50	42	17	4	4
Lennox .....					164	315	583	460	20	20	21	19	17	15	2	2
London .....			9	17	230	188	577	529	285	160	143	137	106	66	2	1
Middlesex .....					160	96	287	289	179	83	81	79	76	64	1	1
Muskoka .....					22	49	171	130	62	39	40	40	38	36	1	1
Niagara .....					82	44	184	221	132	89	77	75	74	69		
Norfolk .....					39	55	281	227	35	22	23	19	15	10	1	4
Northumberland .....					93	145	293	291	100	40	39	36	30	16	4	4
Ontario .....			3	30	75	73	141	112	31	22	22	21	8	11	1	
Ottawa .....				3	103	136	434	369	169	118	117	107	96	17		
Oxford .....		1	3	79	234	244	1010	913	175	111	105	101	90	66	1	
Peterborough .....		1	1		1	12	38	35	12	5	5	5	5	4		
Prince Edward .....					182	155	401	362	50	42	39	34	33	17		
Renfrew .....					25	42	119	109	14	13	13	11	7			
Simcoe .....					2	26	33	139	115	23	8	9	10	8		5
Stratford .....				72	152	200	600	489	134	23	23	25	22	15	3	5
Toronto .....			2	7	312	433	1512	1250	574	421	412	407	372	280	15	18
Victoria .....					8	4	21	18	22	12	12	12	11	10		8
Waterloo .....				5	179	172	444	341	141	101	101	88	105	102	11	2
Welland .....				33	139	134	352	254	100	66	67	57	53	34	4	2
Wellington .....				20	273	274	808	611	148	39	33	65	30	17	2	2
York .....			2	3	132	152	480	461	86	86	81	80	73	52	6	6
<i>Quebec.</i>																
Beauce .....					4	17	22	10	6	7	7	4				
Beauharnois .....			1	8	12	16	131	123	98	97	88	84	66	45		
Bellechasse .....					2	2	2	2	2	2	2	2	2			
Berthier .....					1	1	7	7	13	13	13	13	13			

D.

Measures of each Denomination presented for Verification in each Inspection Year ended 30th June, 1878.

# dr.	TOLBRATED WEIGHTS.								LINEAL MEASURES.								Total.	Miscellaneous Weights.	
	Avoirdupois.																		
	Total.	56 lbs.	28 lbs.	14 lbs.	7 lbs.	4 lbs.	2 lbs.	1 lb.	Total.	Yard.	1/2 yard.	2 feet.	1 foot.	1/2 foot.	100 feet chains.	66 feet chains.			Tape and Riband
199					30	44	39	113	3									3	121
1668				22	6	135		163	7									8	297
4732			2	17	261			280	569									569	
2221			8	20	213			241	32									35	
95				2	87	356	299	744	29									29	135
2116	6			6	215			227	110									110	419
2110			6	22	158			186	132									132	
472					59			59	13									13	89
1051		1	17	2	79			99	5									5	
1675				5	179			184	53									53	232
180				1	14			15											
11967			3	33	437			473	190									190	1645
231					14			14	9									9	40
718					48			48	2									2	15
933			2	7	104			113	103									103	163
755		1	6	5	75	5		92	44									44	
1915				1	65	22		88	108									108	85
1834	10	4	6	6	145			171	37									37	
1638	9	3	3	10	129	17	20	191											
2453	2		14	39	205			260	46									46	272
1397				8	85	23		116	111									111	235
629				1	45			46	38									38	25
1047				1	79			80	2									2	217
729				6	58			64	21									21	
1093				7	82			89	7									7	171
550					34			34	30									30	15
1669		1	6	8	171			186	16									16	
3133			1	7	256			264	89									89	
124				4	15			19	4									4	
1315	2	2	6	5	84			99	8									8	39
353				1	18			19	27									27	
378					24			24	28									28	
1763		1	3	8	132			144	4									4	
6017	6	24	68	72	431			601	217									217	118
130					14	1	1	16	11									11	36
1798				1	109			110	105									105	47
1297			3	7	238	228	296	772	3									3	333
2322			2	7	211			220	104									104	
1700	1	2	17	24	142			186	43									43	72
77			1	3	11			15	1									1	
769			2	6	107			115	83									83	
18																			
94					4			4	5									5	

APPENDIX

RETURN showing the Number of Dominion and Tolerated Weights

DIVISION.	DOMINION WEIGHTS.															
	Avoirdupois.															
	50 lbs.	30 lbs.	20 lbs.	10 lbs.	5 lbs.	3 lbs.	2 lbs.	1 lb.	8 ozs.	4 ozs.	2 ozs.	1 oz.	8 drs.	4 drs.	2 drs.	1 dr.
<i>Quebec—Continued.</i>																
Chambly.....				2	3	9	22	20	12	10	5	4	4	4		
Champlain.....	1															
Gaspé.....	12	1	2	4	2	7			97	93	76	55	29	11	6	2
Hull.....				4	101	112	331	303	101	32	34	32	26	9	1	
Hull (Pontiac).....				25	43	139	82	11	9	9	9	9	9	1		
Iberville.....	2	1	1	9	119	88	208	199	78	48	47	42	28	21		
Joliette.....				2	2	115	112	80	80	80	79	39	33			
Kamouraska.....	5	2	1		10	15	186	180	26	17	16	13	13	9	1	2
Laval.....					50	41	58	64	20	19	19	18	16	17		
Lévis.....					17	17	28	26	8	7	6	5	2			
Lotbinière.....	1				2	9	65	65	20	20	20	20	19			
Missisquoi.....									22	22	22	21	21			
Montmagny.....	4						56	53	9	2	2	1				
Montmorency.....				1	11	14	35	33	46	43	43	42	1	1		
Montreal.....	37	2	3	40	661	955	3208	3770	2066	1617	1521	1437	1284	978	11	15
Quebec.....	58	34	47	51	121	239	328	302	298	276	273	271	262	15		
Richelieu.....	12	3	5	11	20	16	187	171	85	84	72	58	46	11		
Rimouski.....									3	3	3	3				
Saguenay.....	1	1		1	3	2	143	141	132	120	103	87	47	3		
Sherbrooke.....					34	58	267	234	147	44	43	42	34	21	2	4
St. Hyacinthe.....					50	46	171	162	117	115	111	78	29	2		
Terrebonne.....						1	10	11	41	43	40	42	33	13		
Three Rivers.....					4	5	4	4	65	66	62	64	53	29		
<i>New Brunswick.</i>																
Fredericton.....							67	61	31	26	21	18	11	3		
Moncton.....					1	3	35	29								
St. John.....					47	77	316	280	189	200	163	145	64	22	1	1
Woodstock.....				1	61	42	133	153	65	5	4	5	4	3	1	
<i>Nova Scotia.</i>																
Annapolis.....								3	3	4	4	4	4	3	2	
Cape Breton.....					5	2	17	19	5	1	1	1	1			
Colchester.....					11	17	540	376	130	13	13	11	8	2		
Guysborough.....									1	3	3	1	2			
Halifax.....						1	15	13	9	6	6	6	6	3		
Inverness.....	1					1	65	60	5	4	5	5	5	1		
Lunenburg.....							91	80	41	5	1	1				
Pictou.....					12	8	36	39	27	20	16	15	11	12		1
Yarmouth.....							252	206	74	70	70	66	68	60	2	
<i>Manitoba.</i>																
Winnipeg.....			2	2	7	40	119	103	1	1	1	1				
<i>Prince Edward Island.</i>																
Kings.....					18	12	65	63	17	2	3	3	3	2		
Queens.....					59	60	243	330	101	42	32	28	24	16		

D.—Concluded.

and Lineal Measures of each Denomination, &c.—Concluded.

		TOLERATED WEIGHTS.							LINEAL MEASURES.											
		Avoirdupois.																		
$\frac{1}{2}$ dr.	Total.	56 lbs.	28 lbs.	14 lbs.	7 lbs.	4 lbs.	2 lbs.	1 lb.	Total.	Yard.	$\frac{1}{2}$ yard.	2 feet.	1 foot.	$\frac{1}{2}$ foot.	100 feet chains.	66 feet chains.	Tape and Ribband	Total.	Miscellaneous Weights.	
	95				1	15			16		8								8	
	1		1	1		2			4											
	395	312	220	155	142	214	208	182	1433	73									73	
	1088				1	8	130	15	154	18									18	
	337				2	27			29	31									31	26
	890									6									6	
	622			4	12	109			125	19									19	
	498	82	49	53	61	154			399	92				4	1				97	
	322									2									2	
	116		1	1		13			15											
	242	5	4	4	11	64	15	15	118	8									8	
	131					25	112	106	244	18									18	191
	129	26	16	17	14	43			116	21									21	
	313	9	10	6	5	52	36	33	151											
	17609	53	31	102	188	1557			1931	367					1				368	
	2575	25	3	2	5	37			72	40									40	
	781	2	5	8	16	176			207	62									62	
	12	20	15	17	13	53	53	50	221	35									35	
	784	41	27	26	26	146	6	6	278	85	84	84	82	52					387	
	930					74			74	29			1						30	311
	881		2	8	10	120			140											
	234	6	3	8	16	106	94	73	306	24									24	
	356	1	4	4	5	118	117	114	363	27	1								28	
	238			2	3	57	1	1	64											7
	68					11			11											
	1504	3	1	7	36	203			250	78			5					1	84	
	479			1	3	31			35	6									6	
	31			2	7	36	58	60	163	31									31	
	52				1	1	2	2	6	1									1	
	1121				3	92			95	10									10	
	10	15	5	6	4	13	13	10	66	5									5	
	65	4	1	4	4	9			22											
	152	115	53	36	29	54			286	52									52	
	219	4		3	6	66			79	78									78	
	196	5	1	3	6	12			27	5									5	194
	877	86	21	35	44	129			315	187									187	
	277					24	1		25	24									24	
	188			1	1	18			20											
	935		2	4	15	78			99	2									2	

APPENDIX

RETURN showing the Number of Dominion and Tolerated Measures of Capacity, each Inspection Division, during the

DIVISION.	MEASURES OF CAPACITY.														
	Dominion.														
	Bushel.	½-Bushel.	Peck.	Gallon.	½-Gallon.	Quart.	Pint.	½-Pint.	Gill.	½-Gill.	Total.	Bushel.	½-Bushel.	Peck.	Gallon.
<i>Ontario.</i>															
Algoma.....	1		3	14	19	29	35	5	3		112				
Brant.....		80	71	162	112	240	138	24	2		829				17
Brockville.....		11	11	34	57	132	120	50			415				
Bruce.....		4	4	39	113	173	143	38	9		523				
Dundas.....	1			29	39	88	56	47	16	1	247				
Durham.....				54	65	122	79	14	2	1	337		33	48	67
Elgin.....		678	541	76	140	231	123	14			1803				55
Essex.....		7	3	43	32	34	8	27			154		14	7	35
Glengarry.....	5	3		16	33	49	38	20	11	9	184				
Grey.....				11	19	74	39	2	1		146				
Halton.....															
Hamilton.....	1	341	421	559	424	906	504	179			3335				
Hamilton (Wentworth).....			1								1				
Hastings.....		3	14	25	30	88	68	1			229				6
Kent.....	1	25	33	61	28	108	53	5			314		1	5	31
Kingston.....	8	134	152	204	164	340	194	59	3		1258				
Lambton.....	6	5		13	17	50	39	3			133				
Lanark.....		1	1	60	108	147	153	51	7		528				
Lennox.....		3328	1272	1700	8	149	58	2			6517				
London.....		51	56	194	222	555	343	57	2	3	1483				
Middlesex.....	2	25	13	45	124	186	151	24			570				1
Muskoka.....		1	2	15	18	47	43	5	1	1	133				
Niagara.....	3	39	73	163	28	187	60				553				
Norfolk.....				3	9	21	29				62				
Northumberland.....		10	16	43	29	77	47	1			223				
Ontario.....				24	29	45	26	7			131				
Ottawa.....		65	74	163	77	132	184	103	61		859				
Oxford.....	6	11	15	123	228	353	289	71	1	1	1098				
Peterborough.....	1		1			2	11				15		3		
Prince Edward.....	1	8	10	34	43	49	29	9	2	1	186				
Renfrew.....				4	4	6	7	2			23				
Simcoe.....				5	11	59	51	14			140				
Stratford.....				11	33	53	52	9			159				
Toronto.....		255	307	463	560	524	505	144	42		2800		2	1	28
Victoria.....				7	10	8	5	1	1		31				
Waterloo.....		2	4	17	24	51	43	4			145				12
Welland.....		33	17	28	34	84	56	1	1		254				
Wellington.....	2	8	3	58	115	192	165	59			602				
York.....				26	54	117	59	12	1		269				
<i>Quebec.</i>															
Beauce.....															
Beaubarnois.....		8	5	109	114	124	118	104	85	12	679				
Bellechasse.....															
Berthier.....				5	1	1	5	10	1		23				
Chambly.....								5			5				

E.

Balances, and Weighing Machines of each Denomination, brought for Verification in Fiscal Year ended 30th June, 1877.

Tolerated.							BALANCES.										Total.	Irregular Measures.		
½-Gallon.	Quart.	Pint.	¾-Pint.	Gill.	½-Gill.	Total.	With equal arms.				Steelyards with divided arms.				Weigh-bridges or Platform Scales.					
							5 lbs. and under.	5 lbs. to 50 lbs.	5 lbs. to 100 lbs.	100 lbs. and upwards.	500 lbs. and under.	500 lbs. to 1,000 lbs.	1,000 lbs. to 2,000 lbs.	2,000 lbs. to 4,000 lbs.	2,000 lbs. to 4,000 lbs.	2,000 lbs. to 4,000 lbs.	4,000 lbs. to 6,000 lbs.	6,000 lbs. & upwards.		
16							6	25			5			73		1		110		
17		17	11			78	16	127			28			227	60	11	12	481		
62							53	148		1	8	1		480	10	20		721		
78							60	137	8		37			320	33	7	2	604		
46	64	31	2	1		290	5	55	3		1			175	6	6	3	254		
71		52	27			283	36	123		1	3		1	269	96	6	9	548		
51		57	27	2		257	26	116		1	33			298	18	11		503		
							2	24	11		7			71	8	4	8	135		
							2	121			14	1	4	131		1		274		
							33	92			1			275	20	5	4	430		
							1	3	7		2			21	9	6	1	50		
	6						494	331			165			1372	75	4	40	2481		
	63						6	8			1			32	3	2	2	54		
	6					24	27	22	9		6	1	1	119	3	5		193		
55		63	17	1		236	30	77	2		7			135	10	3	5	269		
							24	50		1	2			81	14	9		181		
							47	103		2	6	1	1	223	17	14		414		
							41	99	1	3	6	2		322	8	7		489		
							62	38	1		27			283	10	4		425		
							53	158	1		56	5		1	259	45	77	655		
							20	81			12			187	29	4	11	344		
							10	32						86	1	1	2	132		
							20	57				2	1	3	141	2	4	2	232	
							28	32			22		3	141	2			127		
	5	21	10			36	62	32			3		7	145	21	6		276		
							12	20			7			1	74	15	7		136	
							13	94	9		2			170	14	4		306		
							20	190			50		1	462	45	7	17	792		
							3	6	7					17	1	2		33		
							20	63			5			190	10	19		307		
							6	17						64	1	1		89		
							8	13			7	1		85		5		119		
							36	49			19	4		331	24	6	6	475		
37	55	57	25			205	153	407			139	6	3	514	38	8	22	1290		
700	550	438	430	3		2610	3	12			4			16	2			37		
							48	48			9	1		220	25	18		309		
19	22	20	11			84	148	88	13		7			301	42	27	3	629		
							31	127	2		7			380	29	30		606		
							41	91	1		17			225	16	14		407		
							1	6						9				16		
							2	127			1			161	1	7		299		
								1						5				6		
							3	15						17	2			37		
								12						6	1	2		21		

RETURN showing the Number of Dominion and Tolerated Measures of

DIVISION.	MEASURES OF CAPACITY.														
	Dominion.														
	Bushel.	$\frac{1}{2}$ -Bushel.	Peck.	Gallon.	$\frac{1}{2}$ -Gallon.	Quart.	Pint.	$\frac{1}{2}$ -Pint.	Gill.	$\frac{1}{4}$ -Gill.	Total.	Bushel.	$\frac{1}{2}$ -Bushel.	Peck.	Gallon.
<i>Quebec.—Continued.</i>															
ChAMPLAIN.....		9		1	1						11				
Gaspe.....	2	20		10	10	10	10				62	1	9	3	36
Hull.....		15	17	14	6	14	6	4			76				
Hull (Pontiac).....				19	23	40	32	20	12		146				
Iberville.....				8	9	12	11	7	4	4	55				
Joliette.....		121	37	68	72	92	103	95	56		644				
Kamouraska.....	2										2				
Laval.....				15	15	15	15	15	15		90				
Lévis.....				2							2				
Lotbinière.....															
Missisquoi.....		2	1	13	25	27	25	13			106				
Montmagny.....															
Montmorency.....															
Montreal.....	2	555	600	1461	1013	1884	2201	1626	1012	32	10386				
Quebec.....	2	3		74	79	81	73	58	26	2	398				
Richelieu.....		28	25	48	49	87	68	11			414				
Rimouska.....				1	1	1	1	1	1	1	7				
Saguenay.....		145									145				
Sterbrooke.....		39	19	14	25	52	31	7	5	1	193				
St. Hyacinthe.....		78	18	7							103		13		
Terrebonne.....		1	1	100	103	107	103	106	93		614				
Three Rivières.....		179	30	188	68	155	128	114	36		898				39
<i>New Brunswick.</i>															
Fredericton.....															
Kings.....															
Moncton.....															
St. John.....												5	10	126	
Woodstock.....												16	12	53	
<i>Nova Scotia.</i>															
Annapolis.....				2	2	1	1				6		11	14	18
Cape Breton.....		1	1								2				9
Colchester.....		38	30	46	47	42	9				213				
Guysborough.....		2									2				
Halifax.....				6	4	3	1	1	1		16				
Inverness.....		15	2	25	30	32	20	17	15		156				55
Lunenburg.....		17	8	39	55	44	10	6			179		18	11	
Pictou.....															
Yarmouth.....	4	4	1	111	203	194	132	45	1		695	55	13	5	114
<i>Manitoba.</i>															
Manitoba.....	3	6		5		7	24				45				44
<i>Prince Edward Island.</i>															
King's County.....				3	16	16	16	13			64				1
Queen's County.....		11	2	9	9	11	9	9	9	7	76				



E.—Concluded.

Capacity, and Weighing Machines, of each Domination, &c.—Concluded.

Tolerated.								BALANCES.										Irregular Measures.	
								With equal arms.				Steelyards with divided arms.				Weigh-bridges or Platform Scales.			
$\frac{1}{2}$ -Gallon.	Quart.	Pint.	$\frac{1}{2}$ -Pint.	Gill.	$\frac{1}{2}$ -Gill.	Total.	5 lbs. and under.	5 lbs. to 50 lbs.	50 lbs. to 100 lbs.	100 lbs. and upwards.	500 lbs. and under.	500 lbs. to 1,000 lbs.	1,000 lbs. 2,000 lbs.	2,000 lbs. 4,000 lbs.	2,000 lbs. and under.	2,000 lbs. to 4,000 lbs.	4,000 lbs. to 6,000 lbs.	6,000 lbs. and upwards.	Total
24	22	16	6	8		120	6	114		138	40				66	3			367
							14	72	1						155	7	8		257
							4	9			2				107	13	1		136
							4	80		3					98	5	6		196
							1	106							35				14
							12	115		38	20	7	1		55	1			249
							1	21							2	26	4		54
															11	3	1		26
							6	38	4		1				18				67
							1	24							93	2		3	123
							18	9	5	4	5	5							46
							8	43							12		1		64
							297	1147	84	58	45	2			1043	96	70		2842
							6	130	5	13	4				34	2			194
							30	116	1	2					90		4		243
								48	13		1				19				81
							6	103		31	44				39				223
							20	48			3				240	3	9	4	327
						13	47	88	1						10		1		145
							65	27		1					69				162
85	116	157	140	16		553	16	139	1		1			49	11	1		218	
								9	47		4				53		3		116
								1											1
210	259	244	145	73		1072	155	59			44				36			1	37
56	45	24	7	1		213	10	32			1				85	3	2		472
																			133
16	17					76	31	24	1		4				62			3	125
12	16	12	3			52	1	2							12			1	16
							15	86	4						261				366
							2	5		5	4				15				31
							2	5	1						20			4	32
68	47	8	1			208	23	28	3	21	12				152		1		240
							16	69			10				84		2		180
189	138	82	5			601	25	1							63		1		90
							60	133	4	22	85	5			372	5	20		709
44	44	44	24			200	3	4			7				45	6	3		68
2	2	1	1	1	1	9	9	12			2				30	6			59
							55	36			6				148	9	4		258

APPENDIX

RETURN showing the Number of Dominion and Tolerated Weights and Lineal Fiscal Year ended

DIVISION.	DOMINION WEIGHTS.															
	Avoirdupois.															
	50 lbs.	30 lbs.	20 lbs.	10 lbs.	5 lbs.	3 lbs.	2 lbs.	1 lb.	8 ozs.	4 ozs.	2 ozs.	1 oz.	8 drs.	4 drs.	2 drs.	1 dr.
<i>Ontario.</i>																
Algoma					14	24	41	40	33	14	11	8	5	4	2	3
Brant					179	150	388	400	132	96	90	94	78	57	2	2
Brockville				1	200	335	960	1130	471	381	388	348	399	16	1	2
Bruce					214	197	500	455	217	129	126	128	125	122	3	5
Dundas				1	1	2	3	3	17	16	15	16	11	5	2	3
Durham				7	211	216	483	497	219	110	106	102	93	58	6	8
Elgin	2	1		13	139	148	684	618	94	93	91	90	80	54	1	1
Essex				2	40	49	85	118	69	30	23	21	20	10	3	2
Glengarry					56	126	327	326	48	47	45	41	31	4		5
Grey					101	135	353	344	185	127	124	121	99	72	4	5
Halton					39	33	63	40	1	1	1	1	1			
Hamilton				2	475	910	2359	2469	1619	833	831	837	811	821		
Hamilton (Wentworth)				1	22	28	44	52	20	13	12	14	12	13		
Hastings					55	78	220	251	21	23	22	18	6	2		1
Kent					1	78	69	235	249	104	43	40	37	31	22	1
Kingston				32	71	76	206	215	33	28	30	25	24	15		15
Lambton				17	171	178	449	409	203	98	96	97	92	77	11	4
Lenark			1	6	116	179	614	644	60	49	48	50	42	17	4	2
Lennox					164	315	583	460	20	20	21	19	17	15	2	1
London			9	17	225	188	575	526	282	160	143	137	106	66	2	1
Middlesex					160	96	287	289	179	83	81	79	76	64	1	1
Muskoka					22	49	171	130	62	39	40	40	38	36		
Niagara					82	44	184	221	132	89	77	75	74	69		
Norfolk					36	53	266	221	38	22	22	18	16	11	2	2
Northumberland					93	145	293	291	100	40	39	36	30	16		
Ontario			3	30	75	73	141	112	31	22	22	21	8	11	1	
Ottawa				3	103	136	434	369	167	117	114	105	93	15		
Oxford			1	3	79	232	239	999	904	175	111	105	101	90	66	1
Peterborough			1	1		1	12	38	35	22	5	5	5	4		
Prince Edwards					182	155	201	362	50	42	39	34	33	17		
Renfrew					25	42	119	109	14	13	13	11	7			
Simcoe				2	26	33	139	115	23	8	9	10	8	5		5
Stratford				10	152	200	600	499	134	23	23	25	22	15	3	5
Toronto			2	7	311	431	1508	1246	571	417	411	406	372	280	15	13
Victoria					8	4	21	18	22	12	12	12	11	10		8
Waterloo				5	179	172	444	341	141	101	101	88	105	102	11	2
Welland				33	139	134	352	254	100	66	67	57	53	34	4	2
Wellington				20	273	274	808	611	148	39	33	65	30	17	2	6
York			2		3	132	152	480	461	86	86	81	80	73	52	6
<i>Quebec.</i>																
Beauce						4	17	22	10	6	7	7	4			
Beauharnois			1	8	12	6	131	123	98	97	88	84	66	45		
Bellechasse					2	2	2	2	2	2	2	2	2			
Berthier					1	1	7	7	13	13	13	13	13			
Chamby					2	3	9	22	20	12	10	5	4	4		
Champlain			1													
Gaspé	12	1	2	4	1	7			27	24	18	13	13	5	3	3
Hull				4	98	111	327	298	98	30	32	30	24	7	1	2

F.  
 Measures of each Denomination Verified in each Inspection Division, during the  
 30th June, 1878.

f-dr.	TOLERATED WEIGHTS.								LINEAL MEASURES.										
	Avoirdupois.																		
	Total.	56 lbs.	28 lbs.	14 lbs.	7 lbs.	4 lbs.	2 lbs.	1 lb.	Total.	Yard.	½ yard.	2 feet.	1 foot.	½ foot.	100-foot chains.	66-foot chains.	Tape or Riband.	Total.	Miscellaneous Weights.
.....	199					30	44	39	113	3								3	121
.....	1668			22	6	135			163	7								8	297
.....	4732			2	17	261			280	569								569	.....
.....	2221			8	20	213			241	32								35	.....
1	95				2	87	355	297	741	29								29	134
.....	2116	6			6	215			227	110								110	419
1	2110			6	22	158			186	132								132	.....
.....	472					59			59	13								13	89
.....	1051		1	17	2	79			99	5								5	.....
5	1675				5	179			184	53								53	232
.....	180				1	14			15										.....
.....	11967			3	33	437			473	190								190	1645
.....	231					14			14	9								9	40
.....	718					48			48	2								2	15
1	911			2	7	104			113	103								103	163
.....	755	1	6		5	75	5		92	44								44	.....
.....	1915					65	22		83	108								108	85
1	1834	10	4	5	6	145			170	37								37	.....
2	1638	9	3	3	10	129	17	20	191										.....
1	2440	2		14	39	205			260	46								46	272
.....	1397				8	85	23		116	111								111	235
.....	629				1	45			46	38								38	25
.....	1047				1	79			80	2								2	217
2	707				6	58			64	21								21	.....
.....	1093				7	82			89	6								6	171
.....	550					34			34	30								30	15
.....	1656		1	6	8	171			186	16								16	.....
.....	3106			1	7	249			257	89								89	.....
.....	124				4	15			19	4								4	.....
.....	1315	2	2	6	5	84			99	8								8	39
.....	353				1	18			19	27								27	.....
.....	378					24			24	28								28	.....
2	1763		1	3	8	129			141	4								4	.....
.....	5997	6	24	68	72	431			601	216							1	217	118
.....	130			14	1	1			16	11								11	35
2	1798				1	109			110	105								105	47
.....	1297			3	7	238	228	296	772	3								3	333
.....	2322			2	7	211			220	104								104	.....
.....	1700	1	2	17	24	142			186	43								43	72
.....	77			1	3	11			15	1								1	.....
.....	759			2	6	107			115	83								83	.....
.....	18								4	5								5	.....
.....	94					4			4	8								8	.....
.....	95					1	15		16										.....
.....	1	1	1	1		2			4										.....
.....	130	295	213	153	136	202	190	171	1360	67								67	.....
.....	1060			1	8	126	15		150	13								13	.....

RETURN showing the Number of Dominion and Tolerated Weights

DIVISION.	DOMINION WEIGHTS.															
	Avoirdupois.															
	50 lbs.	30 lbs.	20 lbs.	10 lbs.	5 lbs.	3 lbs.	2 lbs.	1 lb.	8 ozs.	4 ozs.	2 ozs.	1 oz.	8 drs.	4 drs.	2 drs.	1 dr.
<i>Quebec.—Continued.</i>																
Hull (Pontiac).....					25	43	139	82	11	9	9	9	9	1		
Iberville.....	2	1	1	8	119	88	278	199	78	48	47	42	28	21		
Joliette.....					2	2	115	112	80	80	79	39	33			
Kamouraska.....	5	2	1		10	15	186	180	26	7	16	13	13	9	1	2
Javal.....					50	41	58	64	20	19	19	18	16	17		
Levis.....					17	17	28	26	8	7	6	5	2			
Lotbinière.....	1				2	9	65	65	20	20	20	19		1		
Missisquoi.....									22	22	22	21	21	1		
Monmagny.....	4						56	53	9	2	2	2	1			
Montmagny.....				1	11	14	35	33	46	43	43	43	42	1	1	
Montreal.....	37	2	3	40	660	955	3205	3769	2064	1613	1517	1435	1283	967	11	15
Quebec.....	58	34	47	51	121	239	328	302	298	276	273	271	262	15		
Richelieu.....	12	3	5	11	20	16	183	169	85	72	58	46	11			
Rimouski.....									3	3	3	3				
Saguenay.....	1	1		1	3	2	143	141	132	120	103	87	47	3		
Sherbrooke.....					34	58	267	234	147	44	43	42	34	21	2	4
St. Hyacinthe.....					50	46	171	162	117	115	111	78	29	2		
Terrebonne.....						1	10	11	41	43	40	42	33	13		
Three Rivers.....					4	5	4	4	65	66	62	64	53	29		
<i>New Brunswick.</i>																
Frederickton.....							67	61	31	26	21	18	11	3		
Moucton.....					1	3	35	29								
St. John.....					47	77	300	263	167	165	134	110	55	17	1	1
Woodstock.....					49	30	78	95	43	4	2	3	1	1	2	1
<i>Nova Scotia.</i>																
Annapolis.....							3	3	4	4	4	4	4	3	2	
Cape Breton.....					5	2	17	19	5	1	1	1	1			
Colchester.....					11	17	540	376	130	13	13	11	8	2		
Guysborough.....								1	3	3	1	2				
Halifax.....					1	15	13	9	6	6	6	6	3			
Inverness.....	1				1	65	60	5	4	5	5	5	1			
Lunenburg.....						91	80	41	5	1	1					
Pictou.....					12	8	36	39	27	20	16	15	11	12		1
Yarmouth.....							258	206	74	70	70	66	68	60	2	
<i>Manitoba.</i>																
Winnipeg.....			2	2	7	40	119	103	1	1	1	1				
<i>Prince Edward Island.</i>																
King's County.....					18	12	65	63	17	2	3	3	3	2		
Queen's County.....					59	60	243	330	101	42	32	28	24	16		

F.—Concluded.

and Linear Measures of each Denomination, &c.—Continued.

No.	TOLERATED WEIGHTS.								LINEAL MEASURES.								Miscellaneous Weights.			
	Avoirdupois.								Total.	Yard.	½ yard.	2 feet.	1 foot.	½ foot.	100 feet chains.	66 feet chains.		Tape or Ribband.	Total.	
	Total.	56 lbs.	28 lbs.	14 lbs.	7 lbs.	4 lbs.	2 lbs.	1 lb.												
337				2	27			29	31									31	26	
890									6										6	
622			4	21	100			125	19										19	
498	82	48	53	75	140			398	90			4	1						95	
322									2										2	
116		1	1		13			15												
242	5	4	4	11	64	15	15	118	8										8	
131				1	25	112	106	244	18										18	191
129	26	16	17	14	43			116	21										21	
313	9	10	6	5	52	36	33	151												
17580	53	31	102	188	1555			1929	367					1					368	
2575	25	3	2	5	37			72	40										40	
775	2	5	8	16	173			204	54										54	
12	20	15	17	13	53	53	50	221	35										35	
784	41	27	26	26	146	6	6	278	85	84	84	82	52						387	311
930					74			74	29			1							30	
881		2	8	10	120			140												
234	6	3	8	16	106	94	73	306	24										24	
356	1	4	4	5	118	117	114	363	27	1									28	
238			2	3	57	1	1	64												7
68					11			11												
1336	2		7	34	185			228	78			5					1		84	
310				1	8	2		11	5										5	
31			2	7	36	58	60	163	31										31	
52			1	1	1	2	2	6	1										1	
1121				3	92			95	10										10	
10	15	5	6	4	13	13	10	66	5										5	
65	4	1	4	4	9			22												
152	115	52	36	29	54			286	52										52	
219	4		3	6	66			79	78										78	
196	5	1	3	6	12			27	5										5	194
877	86	21	35	44	129			315	187										187	
277					24	1		25	24										24	
188			1	1	18			20												
935			4	15	78			99	2										2	

APPENDIX

RETURN showing the Number of Dominion and Tolerated Measures of Capacity, Division, during the Fiscal

DIVISION.	MEASURES OF CAPACITY.													
	Dominion.													
	Bushel.	$\frac{1}{2}$ -Bushel.	Peck.	Gallon.	$\frac{1}{2}$ -Gallon.	Quart.	Pint.	$\frac{1}{2}$ -Pint.	Gill.	$\frac{1}{2}$ -Gill.	Total.	Bushel.	$\frac{1}{2}$ -Bushel.	Peck.
<i>Ontario.</i>														
Algoma .....	1	3	3	14	19	29	35	5	3		112			
Brant .....		80	71	162	112	240	138	24	2		829			
Brockville .....		11	11	34	57	132	120	50			415			
Bruce .....		4	4	39	113	173	143	38	9		523			
Dundas .....	1			29	39	58	56	47	16	1	247			
Durham .....				54	65	122	79	14	2	1	337		38	48
Elgin .....		678	541	76	140	231	123	14			1803			
Essex .....		7	3	43	32	34	8	27			154		14	7
Glengarry .....	5	3		16	33	49	38	20	11	9	184			
Grey .....				11	19	74	39	2	1		146			
Haldon .....														
Hamilton .....	1	341	421	559	424	906	504	179			3335			
Hamilton (Wentworth) .....			1								1			
Hastings .....		3	14	25	30	88	68	1			229			
Kent .....	1	24	33	61	28	108	53	5			313		1	4
Kingston .....	8	134	152	204	164	310	194	59	3		1258			
Lambton .....	6	5		13	17	50	39	3			133			
Lanark .....		1	1	60	108	147	152	51	7		527			
Lennox .....		3328	1272	1700	8	149	58	2			6517			
London .....		49	52	190	221	551	343	57	2	3	1468			
Middlesex .....	2	25	13	45	124	186	151	24			570			
Muskoka .....		1	2	14	18	47	43	5	1	1	132			
Niagara .....	3	39	73	163	28	187	60				553			
Norfolk .....				3	9	21	29				62			
Northumberland .....		10	16	42	29	75	47	1			220			
Ontario .....				24	29	45	26	7			131			
Ottawa .....		65	74	143	77	132	183	103	61		838			
Oxford .....	6	11	15	123	225	353	189	71	1	1	1095			
Peterborough .....	1		1			2	11				15	3		
Prince Edward .....	1	4	6	33	43	49	29	9	2	1	177			
Renfrew .....				4	4	6	7	2			23			
Simcoe .....				5	11	59	51	14			140			
Stratford .....				12	33	53	52	9			159		1	1
Toronto .....		254	306	462	559	512	505	144	42		2784		44	51
Victoria .....				6	10	8	5	1	1		31			
Waterloo .....		2	4	17	24	51	43	4			145			
Welland .....		33	17	28	34	84	56	1	1		254			
Wellington .....	2	8	3	58	115	192	165	59			602			
York .....				26	54	117	59	12	1		269			
<i>Quebec.</i>														
Beauce .....														
Beauharnois .....		8	5	109	114	124	118	104	85	12	679			
Bellechasse .....														
Berthier .....				5	1	1	5	10	1		23			
Chambly .....							5				5			
Champlain .....		9		1	1						11			

G.

Balances and Weighing Machines of each denomination Verified in each Inspection Year ended 30th June, 1878.

Tolerated								BALANCES.												
								With equal arms.				Steelyards, with divided arms.				Weigh-bridges, or Platform Scales.				
Gallon.	1/2-Gallon.	Quart.	Pint.	1/2-Pint.	Gill.	1/4-Gill.	Total.	50 lbs. and under.	5 lbs. to 50 lbs.	50 lbs. to 100 lbs.	100 lbs. and upwards.	500 lbs. and under.	500 lbs. to 1,000 lbs.	1,000 lbs. to 2,000 lbs.	2,000 lbs. to 4,000 lbs.	2,000 lbs. and under.	2,000 lbs. to 4,000 lbs.	4,000 lbs. to 6,000 lbs.	6,000 lbs. & upwards.	Total.
								6	25			5				73		1		110
								16	127			28				227	60	11	12	481
17	17	16	17	11			78	53	148		1	8	1		480	10	20		721	
								60	137	8		37			320	33	7	2	604	
								4	53	2		1			165	6	6	3	240	
67	45	62	31	2	1		289	35	123		1	3		1	267	96	6	9	545	
55	71	78	52	27			283	25	116		1	32			298	18	11		501	
35	51	64	57	27	2		257	2	24	11		7			71	8	4	8	135	
								2	121			14	1	4		131		1		274
								33	92			1			275	20	5	4	430	
								1	3	7		2			21	9	6	1	50	
								494	331			165			1372	75	4	40	2481	
								6	8			1			32	3	2	2	54	
6	6	6	6				24	27	22	9		6	1	1	119	3	5		193	
28	52	55	62	17	1		220	30	77	2		7			135	10	3	5	269	
								24	50		1	2			81	14	9		181	
								47	103		2	6	1	1	223	17	14		414	
								41	99	1	3	6	2		321	8	7		489	
								62	38	1		27			283	10	4		425	
								53	158	1		49	5		258	43	77		645	
								20	81			12			186	2	4	11	343	
								9	32						83	1	1	2	128	
								20	57				2	1	3	140	2	4	2	231
								23	32			17		1	135	2			210	
	5	21	10				36	62	32			3		7	145	21	6		276	
								12	20			7			74	15	7		136	
								13	94	9		2			169	14	4		305	
								18	184			49		1	448	44	7	14	765	
							3	6	7						17	1	2		33	
								20	63			3			190	10	19		305	
								6	17						64	1	1		89	
								8	13			7	1		80		5		114	
28	37	55	57	25			204	32	45			19	4		324	24	5	5	458	
29 1/2	504	360	248	237	3		1741	151	404			138	6	3	513	38	8	22	1283	
								3	12			4			16	2			37	
								48	48			9	1		220	25	18		369	
								148	88	13		7			301	42	27	3	629	
	12	19	22	20	11		84	31	127	2		7			380	29	30		606	
								41	91	1		17			225	16	14		407	
								1	4						9				14	
								2	127			1			161	1	7		299	
									1						5				6	
								3	15						17	2			37	
									12						6	1	2		21	

APPENDIX

RETURN showing the Number of Dominion and Tolerated Measures of Capacity,

DIVISION.	MEASURES OF CAPACITY.															
	Dominion.											Total.	Bushel.	½-Bushel.	Peck.	
	Bushel.	½-Bushel.	Peck.	Gallon.	½-Gallon.	Quart.	Pint.	½-Pint.	Gill.	½-Gill.						
<i>Quebec.—Continued.</i>																
Gaspé .....	2	20	.....	10	10	10	10	.....	.....	.....	.....	.....	62	1	9	3
Hull .....	.....	15	17	14	6	14	5	3	.....	.....	.....	.....	74	.....	.....	.....
Hull (Pontiac) .....	.....	.....	.....	19	23	40	32	20	12	.....	.....	.....	146	.....	.....	.....
Iberville .....	.....	.....	.....	8	9	12	11	7	4	.....	.....	.....	55	.....	.....	.....
Joliette .....	.....	121	37	68	72	92	103	95	56	.....	.....	.....	644	.....	.....	.....
Kamouraska .....	1	.....	.....	.....	.....	.....	.....	.....	.....	.....	.....	.....	1	.....	.....	.....
Laval .....	.....	.....	.....	15	15	15	15	15	15	.....	.....	.....	90	.....	.....	.....
Lévis .....	.....	.....	.....	2	.....	.....	.....	.....	.....	.....	.....	.....	2	.....	.....	.....
Lotbinière .....	.....	.....	.....	.....	.....	.....	.....	.....	.....	.....	.....	.....	.....	.....	.....	.....
Missisquoi .....	.....	2	1	13	25	27	25	13	.....	.....	.....	.....	106	.....	.....	.....
Montmagny .....	.....	.....	.....	.....	.....	.....	.....	.....	.....	.....	.....	.....	.....	.....	.....	.....
Montmorency .....	.....	.....	.....	.....	.....	.....	.....	.....	.....	.....	.....	.....	.....	.....	.....	.....
Montreal .....	2	555	600	1461	1007	1884	2201	1626	1012	32	10380	.....	.....	.....	.....	.....
Quebec .....	2	3	.....	74	79	81	73	58	26	2	398	.....	.....	.....	.....	.....
Richelieu .....	.....	28	25	47	49	86	98	67	11	.....	411	.....	.....	.....	.....	.....
Rimouski .....	.....	.....	.....	1	1	1	1	1	1	1	7	.....	.....	.....	.....	.....
Saguenay .....	.....	145	.....	.....	.....	.....	.....	.....	.....	.....	145	.....	.....	.....	.....	.....
Sherbrooke .....	.....	39	19	14	25	52	31	7	5	1	193	.....	.....	.....	.....	.....
St. Hyacinthe .....	.....	78	18	7	.....	.....	.....	.....	.....	.....	103	.....	13	.....	.....	.....
Terrebonne .....	.....	1	1	100	103	107	103	106	93	.....	614	.....	.....	.....	.....	.....
Three Rivers .....	.....	179	30	188	68	155	128	114	36	.....	898	.....	.....	.....	.....	.....
<i>New Brunswick.</i>																
Fredericton .....	.....	.....	.....	.....	.....	.....	.....	.....	.....	.....	.....	.....	.....	.....	.....	.....
Kings .....	.....	.....	.....	.....	.....	.....	.....	.....	.....	.....	.....	.....	.....	.....	.....	.....
Moncton .....	.....	.....	.....	.....	.....	.....	.....	.....	.....	.....	.....	.....	.....	.....	.....	.....
St. John .....	.....	.....	.....	.....	.....	.....	.....	.....	.....	.....	.....	.....	.....	5	10	.....
Woodstock .....	.....	.....	.....	.....	.....	.....	.....	.....	.....	.....	.....	.....	.....	11	8	.....
<i>Nova Scotia.</i>																
Annapolis .....	.....	.....	.....	2	2	1	1	.....	.....	.....	6	.....	11	14	.....	.....
Cape Breton .....	.....	1	1	.....	.....	.....	.....	.....	.....	.....	2	.....	.....	.....	.....	.....
Colchester .....	.....	38	30	46	47	42	9	.....	.....	.....	212	.....	.....	.....	.....	.....
Guysborough .....	.....	2	.....	.....	.....	.....	.....	.....	.....	.....	2	.....	.....	.....	.....	.....
Halifax .....	.....	.....	.....	6	4	3	1	1	1	.....	16	.....	.....	.....	.....	.....
Inverness .....	.....	14	2	24	30	32	20	17	15	.....	154	.....	.....	.....	.....	.....
Lunenburg .....	.....	17	8	39	55	44	10	6	.....	.....	179	.....	18	11	.....	.....
Pictou .....	.....	.....	.....	.....	.....	.....	.....	.....	.....	.....	.....	.....	.....	.....	.....	.....
Yarmouth .....	4	4	1	111	203	194	132	45	1	.....	695	55	5	3	.....	.....
<i>Manitoba.</i>																
Manitoba .....	3	6	.....	5	.....	7	24	.....	.....	.....	45	.....	.....	.....	.....	.....
<i>Prince Edward Island.</i>																
King's County .....	.....	.....	.....	3	16	16	16	13	.....	.....	64	.....	.....	.....	.....	.....
Queen's County .....	.....	11	2	9	9	11	9	9	9	7	76	.....	.....	.....	.....	.....



G.—Concluded.

Balances and Weighing Machines of each Denomination, &c.—Continued.

Tolerated.							BALANCES.													
Gallon.	½-Gallon.	Quart.	Pint.	½-Pint.	Gill.	¾-Gill.	Total.	With equal arms.				Steelyards, with divided arms.			Weigh-bridges, or Platform Scales.				Total.	
								5 lbs. and under.	5 lbs. to 50 lbs.	50 lbs. to 100 lbs.	100 lbs. and upwards.	500 lbs. and under.	500 lbs. to 1,000 lbs.	1,000 lbs. to 2,000 lbs.	2,000 lbs. to 4,000 lbs.	2,000 lbs. and under.	2,000 lbs. to 4,000 lbs.	4,000 lbs. to 6,000 lbs.		6,000 lbs. & upwards.
36	24	22	16	6	3		120	6	114	138	40			66	3					367
								14	70	1				137	7	6				235
								4	9		2			105	13	1				134
								4	80		3			98	5	6				196
								1	106					35						142
								12	111	38	18	7	1	55	1					243
								1	21					2	26	4				54
									11					11	3	1				26
								6	38	4		1		18						67
								1	24					93	2		3			123
								18	9	5	4	5	5							46
								8	43					12		1				64
								297	1146	84	58	45	2	1043	96	70				2841
								6	130	5	13	4		34	2					194
								30	114	1	2			90		4				241
									48	13		1		18						80
								6	103		31	44		39						223
								20	48			3		240	3	9	4			327
							13	47	86	1				10		1				145
								65	27		1			69						162
39	85	116	157	140	16		553	16	139	1		1		49	11	1				218
									9	47		4			53		2			115
								1												1
									2					36			1			37
126	210	259	244	145	73		1072	155	59		44			179	21	14				472
43	45	35	19	6	1		168	9	25		1			68	2	1				106
									9	24	1	4		62			3			125
18	16	17					76	31	24					12						16
9	12	16	12	3			52	1	2					261						366
								15	86	4				15						31
								2	5		5	4		20						32
								2	5	1				147			4			223
								19	20	3	21	12		84		1				181
55	68	47	8	1			208	16	69		10			63		2				90
68	129	104	64				428	25	1					369	5	20				692
								59	130	4	22	78	5							
44	44	44	44	24			200	3	4		7			45	6	3				68
									9	12		2		29	6					58
1	2	2	1	1	1	1	9	55	36			6		148	9	4				258

APPENDIX

RETURN showing the Number of Dominion and Tolerated Weights and Lineal Fiscal Year ended

DIVISION.	DOMINION WEIGHTS.															
	Avoirdupois.															
	50 lbs.	30 lbs.	20 lbs.	10 lbs.	5 lbs.	3 lbs.	2 lbs.	1 lb.	8 ozs.	4 ozs.	2 ozs.	1 oz.	8 drs.	4 drs.	2 drs.	1 dr.
<i>Ontario.</i>																
Dundas.....																
Kent.....									5	5	5	5	2			
Lanark.....																
London.....					5		2	3	3							
Norfolk.....					2	1	6	9	1	1	1	1				
Northumberland.....																
Ottawa.....					2	5	11	9	2	1	3	2	3	2		
Oxford.....																
Stratford.....																
Toronto.....					1	2	4	4	3	4	1	1				
<i>Quebec.</i>																
<del>Quebec</del> Gaspé.....					1				70	69	58	42	16	6	3	
Hull.....					3	1	4	5	3	2	2	2	2	2		
Kamouraska.....																
Montreal.....					1		3	1	2	4	4	2	1	11		
Richelieu.....							4	2								
<i>New Brunswick.</i>																
St. John.....							16	17	32	35	29	25	9	5		
Woodstock.....				1	12	12	55	58	22	1	2	2	2	2		

H.

Measures of each Denomination *Rejected* in each Inspection Division, during the 30th June, 1878.

No. of dr.	TOLERATED WEIGHTS									LINEAL MEASURES.								Miscellaneous Weights.	
	Avoirdupois.																		
	Total.	56 lbs.	28 lbs.	14 lbs.	7 lbs.	4 lbs.	2 lbs.	1 lb.	Total.	Yard.	$\frac{1}{2}$ yard.	2 feet.	1 foot.	$\frac{1}{2}$ foot.	100-feet chains.	66-feet chains.	Tape or Ribband.		Total.
.....	22						1	2	3										1
.....	13			1					1										
.....	22																		
.....	13									1								1	
.....	27					7			7										
.....	20					3			3										1
.....	265	17	7	2	6	12	18	11	73	6									6
.....	26					4			4	5									5
.....	29		1				2		1	2									2
.....	6					3			3	8									8
.....	168	1	1		2	18			22										
.....	169			1	2	21			24	1									1

APPENDIX

RETURN showing the Number of Dominion and Tolerated Measures of Capacity, Division, during the Fiscal

DIVISION.	MEASURES OF CAPACITY.														
	Dominion.											Total.			
	Bushel.	$\frac{1}{2}$ Bushel.	Peck.	Gallon.	$\frac{1}{4}$ Gallon.	Quart.	Pint.	$\frac{1}{2}$ Pint.	Gill.	$\frac{1}{4}$ Gill.	Bushel.		$\frac{1}{2}$ Bushel.	Peck.	Gallon.
<i>Ontario.</i>															
Dundas.....															
Durham.....															
Elgin.....															
Kent.....		1									1		1	3	
Lanark.....							1				1				
London.....		2	4	4	1	4					15				
Middlesex.....															
Muskoka.....				1							1				
Niagara.....															
Norfolk.....															
Northumberland.....				1		2					3				
Ottawa.....				20			1				21				
Oxford.....					3						3				
Prince Edward.....		4	4	1							9				
Simcoe.....															
Stratford.....												1			
Toronto.....		1	1	1	1	12					16	2	3	95	
<i>Quebec.</i>															
Beauce.....															
Hull.....							1	1			2				
Hull (Pontiac).....															
Kamouraska.....		1									1				
Montreal.....					6						6				
Richelieu.....				1		1		1			3				
Rimouski.....															
<i>New Brunswick.</i>															
Fredericton.....															
Woodstock.....												5	4	10	
<i>Nova Scotia.</i>															
Inverness.....		1		1							2				
Yarmouth.....												8	2	16	
<i>Prince Edward Island.</i>															
Kings.....															



APPENDIX J.

STATEMENT showing the Annual Salaries and Rents, and the Contingent and other Expenses incurred, as well as the Fees collected, at the Gas Inspection Offices in operation during the Year ended 30th June, 1878.

Offices	Inspectors	Annual Salaries.			Expenditure.			Receipts.		Remarks.
		\$	cts.		Annual Rent.	Contingen- cies and other Expenses.	Total.	Fees collected.		
Brantford.....	D. McPhie.....	700 00	{	75 00	2 30	77 30	48 50	The Hamilton Inspector con- ducts the inspection at Brantford.		
Hamilton.....		150 00	}	150 00	98 80	948 80	295 75			
Ottawa.....	Officer from Department.	.....	.....	87 50	24 80	112 30	135 25	A portion of these contin- gencies include travelling expenses to Brantford.		
Toronto.....	G. Sutherland.....	1,000 00	.....	.....	9 44	1,009 44	789 75	Frederickton—The contingencies include refitting, furniture, &c. Mr. Atherton commenced operations in November.		
Montreal.....	N. Aubin.....	2,000 00	.....	.....	223 45	2,223 45	706 25	St. John—The fire stopped the inspection for some time. The contingencies in- clude refitting office, freight, &c.		
Quebec.....	C. J. L. Lafrance.....	1,000 00	.....	.....	316 71	1,316 71	241 50	Pictou—The contingencies include re- moval of office to Government Building, refitting, and a portion of the cost of fitting gas into the building.		
Frederickton.....	R. Atherton, Collector, I.R.	.....	.....	.....	119 60	119 60	69 25	Halifax—Operations were delayed for a period during the refitting of office.		
St. John.....	A. Rowan.....	1,000 00	.....	125 00	611 63	1,766 63	331 50	The contingencies include refitting, cleaning office, and fitting sulphur and ammonia tests.		
Pictou.....	J. Hepburn.....	300 00	.....	100 00	216 84	616 84	31 50	Charlottetown—The contingencies include freight and fitting instruments. The meters inspected were chiefly verified by an officer from the Department.		
Halifax.....	A. Miller.....	1,000 00	.....	160 0	311 50	1,471 50	251 25			
Charlottetown, P. E. I.....	Weights and Measures Inspector and Officer from Department.....	.....	.....	50 00	84 14	134 14	68 75			
		7,000 00		747 50	2,049 21	9,796 71	2,970 25			

APPENDIX K.

RETURN of Gas Meters presented for verification, verified, rejected and verified after first rejection, during the Year ended June 30th, 1878.

	Total presented for verification.		Kind.		Verified.			Rejected.			Verified after first rejection.		Total verified and rejected.		Remarks.	
	Wet.	Dry.	Correct.	Fast.	Slow.	Unsound.	Fast.	Slow.	Correct.	Fast.	Slow.	Correct.	Fast.	Slow.		
Toronto.....	1,200	.....	261	552	338	3	42	4	.....	.....	.....	.....	.....	.....	49	Ottawa—No Inspector; Officer from Department attended office occasionally for the purposes of inspection.
Hamilton.....	1,319	.....	106	549	635	6	10	5	1	3	4	.....	.....	.....	21	Halifax—Testing operations delayed during summer, pending re-arrangement of apparatus.
Ottawa.....	423	.....	101	94	225	1	2	.....	.....	.....	.....	.....	.....	.....	3	St. John—July, August, September and October operations delayed during re-arrangement and refitting after the fire.
Halifax.....	231	.....	8	61	132	18	8	4	.....	.....	.....	.....	.....	.....	30	Brantford—Hamilton Inspector made occasional visits.
St. John.....	478	.....	39	364	29	11	17	.....	.....	1	17	.....	.....	.....	28	Fredericton—Mr. Ruel dismissed; Mr. Atherton commenced operations in November.
Quebec.....	555	.....	85	244	213	1	9	3	.....	.....	.....	.....	.....	.....	13	Charlottetown—Weights and Measures Inspector acted occasionally pending appointment of Gas Inspector; a number of meters tested by officer from Ottawa.
Brantford.....	335	.....	11	135	118	10	15	27	1	5	13	.....	.....	.....	52	
Fredericton.....	84	.....	11	42	30	.....	1	.....	.....	.....	.....	.....	.....	.....	1	
Pictou.....	122	.....	3	41	48	6	18	6	.....	.....	.....	.....	.....	.....	30	
Pictou.....	82	.....	42	1	10	11	2	16	.....	.....	.....	.....	.....	.....	29	
Pictou.....	125	1	10	20	66	11	2	16	.....	.....	.....	.....	.....	.....	29	
Total.....	4,954	814	677	2,103	1,844	78	126	81	2	9	34	.....	.....	.....	285	

## APPENDIX

## RETURN of the Illuminating Power and Purity

Inspection District.	Illuminating Power.						Sulphur per 100		
	Highest.	Lowest.	Average.	Standard.	No. of times below Standard.	No. of Tests made.	Highest.	Lowest.	Average.
	Candles.	Candles.	Candles.	Candles.			Grains.	Grains.	Grains.
<b>Toronto:—</b>									
July.....	16-21	15-12	15-64	12	.....	8	23-90	11-80	15-61
August.....	15-63	13-68	15-04	12	.....	4	15-00	12-20	13-20
September.....	17-21	14-86	15-82	12	.....	9	17-90	12-70	15-85
October.....	15-53	14-58	15-07	12	.....	3	16-58	15-20	15-85
November.....	15-12	13-77	14-25	12	.....	5	12-77	8-47	11-36
December.....	14-35	13-61	13-97	12	.....	4	13-59	8-45	10-53
January.....	18-21	13-84	15-56	12	.....	3	7-60	6-40	7-17
February.....	15-41	13-43	14-73	12	.....	3	9-61	9-61	9-61
March.....	16-70	14-67	15-45	12	.....	9	14-09	8-55	11-82
April.....	17-34	14-01	15-18	12	.....	5	12-95	9-50	11-27
May.....	15-61	13-31	14-48	12	.....	4	8-50	4-30	6-00
June.....	15-49	13-89	14-87	12	.....	7	10-62	7-37	8-66
<b>Montreal:—</b>									
July.....	15-87	15-13	15-45	14	.....	4	54-12	47-87	50-99
August.....	16-63	15-44	16-22	14	.....	5	45-29	22-80	33-23
September.....	16-63	15-75	16-43	14	.....	4	26-00	22-00	24-00
October.....	16-29	15-37	16-02	14	.....	5	49-12	30-10	38-60
November.....	18-72	16-34	17-53	14	.....	5	54-92	39-10	48-11
December.....	17-87	15-45	16-59	14	.....	6	49-07	24-93	38-65
January.....	17-80	15-92	16-44	14	.....	6	41-51	16-93	28-10
February.....	18-32	16-27	16-85	14	.....	6	45-44	45-11	45-27
March.....	17-41	15-06	16-40	14	.....	6	60-20	45-15	53-35
April.....	18-61	16-33	17-06	14	.....	5	45-33	39-73	42-53
May.....	18-07	16-60	17-24	14	.....	4	43-19	27-50	35-35
June.....	17-07	16-33	16-71	14	.....	4	42-94	30-56	37-92
<b>*Hamilton:—</b>									
July.....	16-77	13-81	15-15	12	.....	4	.....	.....	.....
August.....	16-92	13-27	15-01	12	.....	4	.....	.....	.....
September.....	15-60	14-06	15-00	12	.....	5	.....	.....	.....
October.....	17-50	14-14	15-95	12	.....	4	.....	.....	.....
November.....	15-47	14-38	14-84	12	.....	5	.....	.....	.....
December.....	15-05	13-54	14-28	12	.....	3	.....	.....	.....
January.....	15-38	13-84	14-64	12	.....	4	.....	.....	.....
February.....	14-41	13-90	14-15	12	.....	4	.....	.....	.....
March.....	15-91	14-33	14-75	12	.....	4	.....	.....	.....
April.....	15-42	13-94	14-57	12	.....	4	.....	.....	.....
May.....	14-24	13-88	14-06	12	.....	3	.....	.....	.....
June.....	13-98	13-04	13-54	12	.....	4	.....	.....	.....

\* Instruments for analysis not yet provided.



L.

of Gas, for the Year ending 30th June, 1878.

Cubic Feet.			Ammonia per 100 Cubic Feet.					Sulphuretted Hydrogen.			Remarks.	
Stand- ard.	No. of times in ex- cess of Standard.	No. of Tests made.	Highest.	Lowest.	Average.	Stand- ard.	No. of times in ex- cess of Standard.	No. of Tests made.	No. of times Present.	No. of times Absent.		No. of Tests made.
Grains.			Grains.	Grains.	Grains.	Grains.						
20	1	4	2 00	1 00	1 45	2	.....	4	.....	4	4	Illuminating power never below standard on any occasion on which it was tested, and the general average good. Sulphur impurities only once in excess of standard allowance. Sulphuretted hydrogen never detected, ammonia though often in excess not considerably above allowance and never exceeding 4.70 grains.
20	.....	3	2 00	0 00	1 00	2	.....	3	.....	3	3	
20	.....	5	1 50	0 50	1 06	2	.....	5	.....	5	5	
20	.....	3	2 50	2 00	2 17	2	2	3	.....	3	3	
20	.....	5	2 02	1 50	1 80	2	2	5	.....	5	5	
20	.....	4	2 50	1 77	2 11	2	3	5	.....	5	5	
20	.....	3	4 70	3 70	4 17	2	3	3	.....	3	3	
20	.....	1	4 00	4 00	4 00	2	1	1	.....	3	3	
20	.....	4	4 62	4 00	4 25	2	4	4	.....	9	9	
20	.....	4	3 70	1 26	2 75	2	3	4	.....	5	5	
20	.....	4	4 40	1 90	3 15	2	3	4	.....	4	4	
20	.....	3	3 06	2 50	2 68	2	3	3	.....	7	7	
20	.....	2	2 05	1 53	1 79	2	1	2	.....	4	4	
20	.....	5	22 63	10 11	11 87	2	1	4	.....	4	4	
20	.....	2	30 00	27 73	28 86	2	2	2	.....	5	5	
20	.....	3	27 83	17 94	22 31	2	3	3	.....	5	5	
20	.....	3	6 02	2 00	4 01	2	2	3	.....	4	4	
20	.....	3	12 58	3 50	8 04	2	1	2	.....	5	5	
20	.....	3	4 00	3 52	3 76	2	2	2	.....	6	6	
20	.....	2	4 48	3 52	4 45	2	4	2	.....	6	6	
20	.....	4	3 57	2 55	3 40	2	.....	4	.....	6	6	
20	.....	2	1 50	1 50	1 50	2	.....	1	.....	5	5	
20	.....	2	1 51	1 00	1 33	2	.....	3	.....	4	4	
20	.....	3	2 53	2 01	2 27	2	2	2	.....	4	4	
.....	.....	.....	.....	.....	.....	.....	.....	.....	.....	4	4	Illuminating power always above standard. Sulphuretted hydrogen never detected. Sulphur and ammonia analysis not yet provided for.
.....	.....	.....	.....	.....	.....	.....	.....	.....	.....	4	4	
.....	.....	.....	.....	.....	.....	.....	.....	.....	.....	5	5	
.....	.....	.....	.....	.....	.....	.....	.....	.....	.....	4	4	
.....	.....	.....	.....	.....	.....	.....	.....	.....	.....	5	5	
.....	.....	.....	.....	.....	.....	.....	.....	.....	.....	3	3	
.....	.....	.....	.....	.....	.....	.....	.....	.....	.....	4	4	
.....	.....	.....	.....	.....	.....	.....	.....	.....	.....	4	4	
.....	.....	.....	.....	.....	.....	.....	.....	.....	.....	4	4	
.....	.....	.....	.....	.....	.....	.....	.....	.....	.....	3	3	
.....	.....	.....	.....	.....	.....	.....	.....	.....	.....	4	4	

APPENDIX

RETURN of the Illuminating Power and Purity of Gas.

Inspection Districts.	Illuminating Power.						Sulphur per 100		
	Highest.	Lowest.	Average.	Standard.	No. of times below Standard.	No. of Tests made.	Highest.	Lowest.	Average.
	Candles.	Candles.	Candles.	Candles.			Grains.	Grains.	Grains.
<b>Halifax :—</b>									
* July .....	20.98	19.14	20.11	16	.....	8	.....	.....	.....
* August .....	23.71	19.52	20.69	16	.....	6	.....	.....	.....
† September .....	.....	.....	.....	.....	.....	.....	.....	.....	.....
‡ October .....	22.17	19.92	21.05	16	.....	9	10.72	9.43	10.84
November .....	21.34	20.29	20.75	16	.....	5	.....	.....	.....
December .....	21.26	19.91	20.42	16	.....	5	25.63	16.11	21.13
January .....	21.72	19.59	20.21	16	.....	4	25.71	21.45	23.75
February .....	20.05	19.79	19.91	16	.....	3	36.41	25.58	31.46
March .....	21.03	19.45	20.39	16	.....	5	51.04	21.33	35.58
April .....	20.50	18.94	19.84	16	.....	4	39.36	12.71	30.40
May .....	22.09	19.80	20.50	16	.....	5	23.84	18.69	19.34
June .....	19.46	19.04	19.28	16	.....	4	35.45	17.61	24.31
<b>St. John :—</b>									
‡ July .....	.....	.....	.....	.....	.....	.....	.....	.....	.....
‡ August .....	.....	.....	.....	.....	.....	.....	.....	.....	.....
‡ September .....	.....	.....	.....	.....	.....	.....	.....	.....	.....
‡ October .....	.....	.....	.....	.....	.....	.....	.....	.....	.....
§ November .....	19.79	12.03	17.61	14	.....	1	8	12.75	12.75
§ December .....	19.05	17.56	18.04	14	.....	6	.....	.....	.....
§ January .....	17.12	15.87	16.63	14	.....	6	.....	.....	.....
§ February .....	17.08	15.50	16.50	14	.....	3	.....	.....	.....
§ March .....	16.72	10.24	14.44	14	.....	1	4	.....	.....
§ April .....	16.86	14.96	15.92	14	.....	2	.....	.....	.....
§ May .....	17.53	17.01	17.27	14	.....	2	.....	.....	.....
§ June .....	14.33	10.38	12.75	14	.....	4	5	.....	.....
<b>Quebec :—</b>									
July .....	17.27	14.87	16.29	14	.....	5	8.71	5.16	6.55
August .....	16.58	15.47	16.09	14	.....	7	8.07	5.68	7.20
September .....	17.25	15.24	16.03	14	.....	7	6.60	6.60	6.60
October .....	17.62	14.94	16.58	14	.....	7	8.76	6.10	7.98
November .....	16.77	16.07	16.52	14	.....	7	10.61	7.05	8.40
December .....	17.06	14.01	15.03	14	.....	8	20.63	9.19	14.89
January .....	16.08	13.71	15.17	14	.....	8	29.93	17.51	21.94
February .....	16.91	14.58	15.48	14	.....	8	24.71	10.03	18.69
March .....	17.96	15.78	16.75	14	.....	8	12.88	7.44	9.59
April .....	16.91	13.70	15.43	14	.....	8	11.85	9.70	10.39
May .....	17.61	15.42	16.69	14	.....	8	9.92	9.39	9.69
June .....	21.04	17.50	17.31	14	.....	7	10.60	9.08	9.70

\* No sulphur and ammonia apparatus fitted.

† Instruments undergoing refitting.

‡ Operations at a standstill owing to the destruction of the office and standards by the great fire.

§ No arrangements yet made for the analysis of samples, though the instruments are fitted ready or testing operations.

L.—Continued.  
for the Year ending 30th June, 1878.—Continued.

Cubic Feet.		Ammonia per 100 Cubic Feet.			Sulphuretted Hydrogen.			Remarks.	
Stand- ard.	No. of times in ex- cess of Standard.	Highest.	Lowest.	Average.	Stand- ard.	No. of times in ex- side Standard.	No. of Tests made.		
Grains.	No. of Tests made.	Grains.	Grains.	Grains.	Grains.	No. of times Present.	No. of times Absent.	No. of Tests made.	
									Illuminating power very good, and the general average about four candles above the standard. Sulphur, although on most occasions present in excess of allowance, seldom greatly in excess. Ammonia present only in excess of standard on five occasions, on two being totally absent, and generally being so small in quantity as to be practically nil. Sulphuretted hydrogen never detected.
20	4	8.32	1.09	3.34	2	3	4	8	
20	2	1.64	0.89	1.37	2	4	4	6	
20	3	2.44	1.05	1.88	2	2	4	0	
20	3	0.75	0.60	0.66	2	3	3	0	
20	5	0.87	0.00	0.33	2	5	5	9	
20	3	0.62	0.01	0.23	2	4	4	5	
20	1	0.10	0.00	0.03	2	5	5	5	
20	3						4	4	
20									
20	1	2.00	2.00	2.00	2	1		8	
								6	
								6	
								6	
								3	
								3	
								4	
								2	
								2	
20								5	
20	5	41.36	33.60	38.04	2	5	5	5	
20	7	49.59	34.93	38.55	2	7	7	7	
20	1	38.95	38.95	38.95	2	1	1	6	
20	4	37.67	15.01	26.40	2	4	4	7	
20	4	50.00	10.00	27.98	2	4	4	7	
20	1	50.00	13.06	32.85	2	5	5	8	
20	1	82.18	33.24	49.27	2	4	4	8	
20	2	72.46	16.00	38.31	2	5	5	8	
20	4	76.21	39.75	61.12	2	4	4	8	
20	4	64.87	60.08	62.38	2	4	4	5	
20	3	53.97	47.27	51.62	2	3	3	8	
20	3	55.46	52.68	54.33	2	3	3	6	
								1	

RETURN of the Illuminating Power and Purity of Gas,

Inspection Districts.	Illuminating Power.						Sulphur per 100		
	Highest.	Lowest.	Average.	Standard.	No. of times below Standard.	No. of Tests made.	Highest.	Lowest.	Average.
	Candles.	Candles.	Candles.	Candles.			Grains.	Grains.	Grains.
<b>Quebec—Con. :—</b>									
September .....							8.84	6.44	8.63
October.....							10.72	7.02	8.39
November.....							18.24	9.26	14.22
December.....							27.68	17.68	20.54
January .....							24.71	16.86	20.76
February.....							20.35	10.02	11.99
March.....							9.78	8.39	9.08
April.....							11.85	8.33	10.09
May.....							11.36	9.31	10.09
June.....							37.48	14.67	23.58
<b>Ottawa.....</b>	15.36	12.94	11.53	12		9	37.48	14.67	23.58
<b>*Fredericton :—</b>									
November.....	23.74	17.83	21.02	14		16			
December.....	23.93	19.88	21.46	14		16			
January.....	20.24	19.22	19.77	14		6			
February.....	23.74	17.81	20.70	14		6			
March.....	19.74	18.76	18.69	14		5			
April.....	18.80	17.41	17.77	14		9			
May.....	18.47	17.26	17.78	14		5			
June.....	20.58	18.90	20.16	14		5			
<b>*Pictou :—</b>									
January.....	16.27	14.35	15.31	16	1	2			
February.....	15.11	14.47	14.73	16	3	3			
March.....	15.00	14.00	14.57	16	3	3			
April.....	16.22	15.24	15.79	16	2	3			
May.....	16.97	16.28	16.65	16		4			
June.....	16.62	15.95	16.28	16	1	2			
<b>*Charlottetown :—</b>									
December.....	16.85	12.77	15.32	14	1	6			
January.....	14.91	13.97	14.76	14		4			

\* Instruments for analysis not yet provided.

L.—Concluded.

for the Year ending 30th June, 1878.—Concluded.

Cubic Feet.		Ammonia per 100 Cubic Feet.						Sulphuretted Hydrogen.			Remarks.
Stand- dard.	No. of times in ex- cess of Standard.	Highest.	Lowest.	Average.	Stand- dard.	No. of times in ex- cess of Standard.	No. of Tests made.	No. of times Present.	No. of times Absent.	No. of Tests made.	
Grains.	No. of Tests made.	Grains.	Grains.	Grains.	Grains.	No. of times in ex- cess of Standard.	No. of Tests made.	No. of times Present.	No. of times Absent.	No. of Tests made.	
20											These are analyses, made by Mr. Aubin at Montreal, of the majority of half samples of tests taken by Mr. Lafrance at Quebec, and sent to Mr. Aubin in order that Mr. Lafrance's analysis might be verified.
20	4	39.39	15.51	27.99	2	4	4				
20	4	50.00	10.04	32.70	2	5	5				
20	3	36.81	13.06	24.11	2	3	3				
20	5	86.86	37.42	57.45	2	5	5				
20	3	26.60	18.00	23.07	2	3	3				
20	4	75.18	60.38	68.53	2	4	4				
20	4	63.01	36.94	45.18	2	4	4				
20	3	62.87	50.58	55.80	2	3	3				
20	3	57.55	48.32	50.57	2	3	3				
20	7	3.75	2.00	2.98	2	6	7				
20	7	3.75	2.00	2.98	2	6	7	9	9	No Inspector appointed. Tests made by officer of Department during period from the opening of office to end of present fiscal year.	
								4	6	10	Mr. Ruel dismissed, having made no inspections. Mr. Ather-ton started operations in November. Illuminating power of gas remarkably good, and considerably above standard. Sulphuretted hydrogen some-times present.
								7	4	11	
								12	2	14	
								13	2	15	
								11	2	13	
								5	6	11	
								5	5	10	
								2	2	2	
								3	3	3	
								3	3	3	
								4	4	4	
								2	2	2	
								6	6	6	Tests made by officer from Department.
								4	4	4	

## APPENDIX M.

The accompanying diagram will explain in a popular manner the principles on which a weighing beam, whose fulcrums are not in a straight line, may be applied to fraudulent weighing.

The heavy lines  $a B c$  show the skeleton form of the beam. It is of the nature of a bent lever, which, it is necessary to bear in mind, will always be used under a *force* or load, acting in a truly vertical direction,  $a W, c L$ .

This being the case, the true lengths of the arms of the lever are  $Ba' Bc'$ , and so long as  $B a$  is equal to  $B c$ , and the points  $a c$  are in a horizontal plane and the loads  $W L$  suspended, therefrom equal to each other, the beam will be in equilibrium.

But let the beam be moved into the position  $x B y$ . It is now evident from an inspection of the diagram that, practically, and in so far as it is affected by a vertical force, the arm of the lever  $B a$  has been lengthened by the distance  $a' x$ , while the opposite arm has been shortened by a distance equal to  $c' w$ .

The lever has now, for practical purposes, unequal arms; and assuming that  $a$  has been loaded to bring it into the position  $x B y$ , a greater load will be necessary at  $y$ —now the end of the short arm of the lever—to turn the beam than is carried at  $x$ , the end of the long arm.

These conditions will be reversed when the load at  $y$  has been made sufficient to turn the beam to the position  $e B d$ .

This description of balance is used for fraudulent weighing in the following manner:

The weight is placed in the pan  $W$ , suspended on  $a$ , which at once brings the beam into the position  $x B y$ . The article to be weighed is then placed in the pan  $L$ , now suspended from  $y$ , and a greater quantity is thrown in than truly represents the weight  $W$  suspended at  $x$ ; the beam then, slowly at first, but with increasing velocity, reverses its position and assumes that indicated by  $e B d$ . The operator then removes part of the article being weighed—which is now suspended on the long arm of the lever—until by touching the opposite pan we find that the weight  $W$  has nearly regained its power to turn the scale, but takes care to stop before it has fully regained it. The purchaser sees that the weight kicks the beam, and is well satisfied, though he has been wronged in proportion to the difference in the distances between  $B d$  and  $B e'$ .

The diagram is drawn in exaggerated proportions, in order that the eye may the more readily discern the effect of the malformation of the balance.

From the above description, it will be evident that such a beam as we have been considering could not fulfil the conditions laid down in section A of the Order in Council, if tested in relation thereto by the regulations in article 1, of circular 134.

This condition could be tested by a straight line applied to the fulcrum of the beam, but in practice this is a difficult test to apply, and the "behaviour" of the beam, under the conditions imposed by the circular, is believed to have a greater practical value, and, besides, it tests other essential qualities at the same time.

A. BRUNEL,

Commissioner.



---

# REPORT

ON

# ADULTERATION OF FOOD

BEING

SUPPLEMENT No. III.

TO THE REPORT

OF THE

DEPARTMENT OF INLAND REVENUE,

1878.

---

Printed by Order of Parliament.

---



OTTAWA:

PRINTED BY MACLEAN, ROGER & CO., WELLINGTON STREET.

1878.





# ADULTERATION OF FOOD.

COMMISSIONER'S REPORT.

## CONTENTS.

	PAGES
Section 1. Summary of results of analysis.....	v
“ 2. Proportion of samples adulterated.....	vi
“ 3. Milk.....	vi
“ 4. Butter.....	vi
“ 5. Condiments.....	vi
“ 6. Coffee.....	vi
“ 7. Cocoa and Chocolate.....	vii
“ 8. Adulteration of Cocoa.....	vii
“ 9. Potted Meats.....	vii
“ 10. Sugar—Glucose.....	viii
“ 11. Expediency of amending Act.....	viii
“ 12. Presence of Glucose not always an evidence of intentional adulteration.....	viii
“ 13. Other adulterations of Sugar.....	ix
“ 14. Tea.....	ix
“ 15. Water.....	ix
“ 16. Prosecutions during past year.....	ix
“ 17. Payment for samples.....	x
“ 18. Extract from the London (England) <i>Analyst</i> .....	x



## INSPECTION OF FOOD.

To the Honourable

The Minister of Inland Revenue.

SIR,—I have now the honour to submit my Third Report respecting the analysis of Food, together with the reports of the four analysts appointed under the Act, and tabulated statements prepared in the Department of the results of the analysis of the various samples submitted.

1. The following is a summary of the whole number of samples authorized to be analyzed during the year, but as the analysts from various causes were unable to complete the whole of the work submitted to them during the fiscal year, it was continued into the present year, and is embraced in the reports now submitted.

Summary of  
results of  
analysis.

	Un- adulterated.	Returned by Analysts as being Adulterated	Not returned as Adulterated but their composition as stated by Analysts, shows that they are of doubtful purity.	Total.
Allspice .....	1	11		12
Baking Powder .....	10			10
Bread .....	8			8
Butter .....	66	12	2	80
Canned Fruit .....	20	4		24
Cassia .....	2	2		4
Cloves .....	3	15		18
Cinnamon .....	3	6		9
Chocolate .....	47			47
Cocoa .....	42	6		48
Cod Liver Oil .....	9			9
Coffee .....	12	36		48
Cream of Tarter .....	6	2		8
Egg Powder .....	1			1
Ginger .....	5	8		13
Malt Liquor .....			5	5
Milk .....	96	70	10	176
Mustard .....		38		38
Pepper .....	12	28		40
Potted Meats .....	28	9		37
Preserved Vegetables .....	24	3		27
Sugar .....	42	8		50
Sweets .....	46	2		48
Tea .....	40	11	2	53
<b>Total .....</b>	<b>523</b>	<b>271</b>	<b>19</b>	<b>813</b>

**Proportion of samples adulterated.** 2. From the above it will be seen that eight hundred and thirteen samples were submitted to the analysts, of which, without including sugars in which glucose was found, or chocolate or cocoa, both of which are largely composed of farinaceous and saccharine matter, two hundred and seventy-one samples, or exactly one-third, were adulterated; while as to nineteen others the analysts were in doubt.

**Milk.** 3, I may direct especial attention to the important article of milk, one hundred and seventy six samples of which were examined, and of these seventy, or nearly forty per cent., were found to be adulterated, and ten other samples were of doubtful character. In view of the importance which attaches to this article, I beg to direct attention to the remarks in relation thereto which I had the honour to submit in my second report, and to urge that the suggestions then made be acted upon. They were as follows :-

“Milk continues to be largely adulterated, and in reference thereto I may refer to Sections 7, 8, 9 and 10 of my first Report, to which I may add that the experience now acquired in connection with the adulteration of this important article of food is sufficient to justify the issue of specific instructions to our officers, as to what should be considered an adulteration within the meaning of the Act, and I submit that as to cases offending such rules, proceedings should be taken against the vendors either by the officers of the Department or by the parties defrauded, who should be supplied with the particulars of the adulteration.”

**Butter.** 4. Of the eighty samples of butter, twelve were adulterated, and two were of doubtful character. The adulterated butter was, with one exception, found in the possession of market people or small dealers. A large proportion of the samples were obtained from wholesale dealers who buy for export. The actual state of this article as supplied to the general consumer is, therefore, but imperfectly represented by the samples analyzed.

**Condiments.** 5. As in former years, the analysis of condiments shows that articles of that description are, almost without exception, adulterated—not with things injurious to health, but with things of inferior value, whereby the consumer pays for the ground refuse of grain and seeds, the price of articles which, if pure, would be of high value.

**Coffee.** 6. The same may be said with reference to coffee, for of forty-eight samples examined, only twelve were pure. The remainder comprised a small quantity of coffee, mixed with a large proportion of cheap adulterants.

7. Cocoa (or *Cacao*) and chocolate, of which there were together 96 samples examined, with five exceptions are not reported as adulterated—neither are they reported as pure. The analysts have confined themselves to stating the composition of the articles, and that they contained no article injurious to health. In this connection attention should be directed to the observations of the analysts, which will be found at pp. 5, 10, 12 of the appendices. From these observations it will be observed that they look upon chocolate as a proprietary mixture, composed of the cacao bean and other ingredients of less value, but not of a deleterious nature. These cheaper additions vary in quantity from 33 to 70 per cent. of the whole, and of course affect the real value of the manufactured article.

Cocoa and  
Chocolate.

8. With cocoa or cacao it is different. The name implies a preparation of the cacao bean, and the admixture of any foreign matter is an adulteration, unless the purchaser is advised thereof by the label on the package in which the article is sold, or by some other equally distinct notification. This is the view taken by Dr. Larue, of Quebec, who returns five of the samples of cocoa analyzed by him as adulterated. Dr. Ellis, of Toronto, simply gives the proportion of foreign substances, and Dr. Edwards, of Montreal, treats it, with chocolate, as a proprietary preparation. But whether the one view or the other be taken, it is certain that since the value of the manufactured article is increased or diminished by the proportion which the genuine cacao paste bears to the whole, the excessive substitution of such articles as sugar, wheat flour, bean meal, animal butter or fat must be a proportionate deterioration of the value of the article, and it therefore appears reasonable, at least with regard to cocoa, that when any such foreign matter is added, the article should be considered as adulterated, unless the fact is notified to the purchaser.

Adulteration  
of Cocoa.

9. The increasing use of potted meats, fish, &c., gives increased interest to their analysis. The question of adulteration is not very clearly dealt with by the analysts, but it will be observed that, with one or two exceptions, Dr. Edwards gives the samples examined by him a high character, while Dr. Larue says that some of the samples examined by him had been adulterated by the abstraction of the nutritive qualities of the meats. The only sample of anchovy paste submitted, which was examined by Dr. Edwards, is reported as containing very little essence of fish, with an excess of salt, and a mineral matter of an alluminous nature, both of which are an adulteration within the Act.

Potted Meats

Sugar—  
Glucose.

10. During the past summer considerable interest has been manifested in relation to the purity of sugar, and more recently some writers in the public press have expressed doubts as to the qualifications of the analysts. These doubts probably have their origin in the disappointment of parties who had been instrumental in having samples submitted, and as to which the results reported were not in accordance with preconceived opinions. On reference to the summary of the year's transactions, it will be seen that fifty samples of sugar were examined, of which eight are reported to be more or less adulterated. In addition to the adulterations specifically reported by the analysts, glucose was found in nearly all the samples submitted, only four samples having been entirely free from it. The quantities reported varied from a *trace* up to 14 per cent. Glucose is not considered as deleterious, and as it is recognised as a variety of sugar, its presence may not be held to be a violation of the letter of the law, though it certainly is of its spirit, for grocery sugars vended for domestic use are understood to be cane sugars, and glucose is greatly inferior in value to this description of sugar, so much so that if the sweetening power of the latter is stated at 100, that of glucose—or grape sugar—is not more than 60.

The addition of glucose to sugars imported from countries where a drawback is paid by the Government on exportation, has to the exporter the important effect of enabling him to obtain an undue amount of drawback from his Government. Glucose is made from a variety of vegetable starches, and is not subject to an excise duty where it is produced. When, therefore, a large percentage of this article is added, the drawback obtained upon it as representing that proportion of sugar, becomes an important consideration, especially when the low price of corn and potatoes permits the production of glucose from the starches of these vegetables at a cheap rate.

Expediency  
of amending  
Act.

11. If there is any doubt as to whether the addition of glucose is an adulteration within the strict meaning of the law, it may be necessary to consider the expediency of asking Parliament to amend the Act. But, however that may be, the public have now the opportunity of ascertaining whether the sugar they purchase is adulterated or not.

Presence of  
Glucose not  
always an  
evidence of  
intentional  
adulteration.]

12. It is, perhaps, only right to observe that it is not fair to assume that the presence of glucose is in all cases an evidence of intentional adulteration. Its presence in small quantities is sometimes an unintended incident in the manufacture of sugar, but its presence in large proportions can hardly be other than intentional, and it may

be necessary to fix a legal limit above which its presence should be held to be fraudulent. In the cases reported on there were eleven instances in which the quantity of glucose amounted to or exceeded ten per cent., and in eighteen other samples the quantity amounted to or exceeded five per cent.

13. During the discussions which have taken place on this subject, it has been stated that for trade purposes means are used both for giving colour to sugar and for bleaching it. The former with a view to make it apparently of a lower grade—when the grade is judged by colour—than it actually is, the latter to enhance its apparent quality without removing all the impurities; and it has been alleged that in both processes colouring or bleaching articles are used of a deleterious nature. So far none of the analysts have reported the discovery of adulterations of this character, but it is conceivable that if they are possible, exporters claiming drawback of duty might resort to such practices from motives analagous to those which suggest the addition of glucose. Other adulterations of Sugar.

14. Only nine samples of adulterated tea, and two doubtful, are reported out of a total of fifty three samples examined. Some of the adulterations are of a very bad description, and in one sample the analyst says he did not find any genuine tea. Tea.

15. There are reasons for believing that no article used for food or drink is more likely to produce diseases than impure water; the examination of water used for domestic purposes, especially that sold and distributed by carters, who are to apt to obtain it from impure sources, has therefore engaged the attention of the Department, and instructions have been given to the proper officers to take samples of water from the carters employed in selling and delivering it for domestic purposes. At this moment only, one analysis of such water has been reported, but the result fully justifies the representations which induced the Department to have it analyzed. Water.

16. During the year there have been three prosecutions for offences against the Adulteration of Food Act; two for refusing samples, and one for selling adulterated milk. The last mentioned case was dismissed on a technical objection as to insufficient notice. In both the other cases convictions were obtained. One of the parties appealed and the conviction was set aside, apparently because the officer who demanded the sample did not produce his authority for doing so. In the other case, the person convicted left the country. Prosecutions during past year.



Payment for  
samples.

17. There appears to be an impression that the officers of the Department take the samples for analysis without payment of their value. This is entirely erroneous. The law provides that full value shall be paid for all the samples taken, and the officers of the Department are instructed in all cases to tender payment of full value for the samples demanded by them. There is no reason for supposing that any of them have failed to do so.

Extract from  
the London  
(England)  
Analyst.

18. As it may be interesting to know the opinions of disinterested parties as to the administration of the law, in relation to the adulteration of food in Canada, I insert in the appendix (see Appendix A), an editorial article from the *Analyst*, a periodical devoted to analytical chemistry, and published in London, England.

Respectfully submitted,

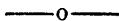
A. BRUNEL,

*Commissioner of Inland Revenue.*

DEPARTMENT OF INLAND REVENUE,

25th November, 1878.

# C O N T E N T S .



## A P P E N D I X A .

*Extract from "The Analyst,"* London, England..... 1-4

## A P P E N D I X B .

*Analysts Reports*..... 5-19

## A P P E N D I X C .

*Memorandum of Instructions given to Collectors of Inland Revenue as to number of samples to be submitted to the various public Analysts, shewing total cost of analysis*..... 20-21

## A P P E N D I X D .

*Tabulated Statement of the results of analysis of articles of food, for the fiscal year ending 30th June, 1878*..... 22-65

# INSPECTION OF FOOD.

## APPENDIX A.

*From "THE ANALYST," the Organ of the Society of Public Analysts, London, England, July, 1878.*

We have received the official report of the Department of Inland Revenue for Canada, on the adulteration of food during the first part of the year 1877.

The report is in so many points instructive, not only as showing the extent to which adulteration prevails in Canada, but also as showing the methods of analysis which are adopted by the public analysts there, that we notice it at rather more length than usual.

It is one of the most exhaustive reports in its character that we ever recollect to have seen. It is quite evident that the authorities who are charged with the execution of the Adulteration Act in Canada are not disposed to allow the work which has been done by the analysts to be almost ignored—as is unfortunately the case in this country. It contains not only a general summary bearing the signature of Mr. A. Brunel, the Commissioner of Inland Revenue, but, in addition, verbatim copies of the reports of the analysts for each division, and tabulated statements of the results of every analysis, which, strange to say, are presented in tabular form, giving the percentage of each constituent, and also some 25 pages of carefully engraved copies of photographs received from our own Inland Revenue Authorities of articles used as adulterants of food and tobacco and of some of the genuine articles themselves. In its general character and the mode in which it has been compiled, the blue book is highly creditable to the department.

The first general feature observable is that the Canadian Government at any rate do not consider that the Adulteration Act is quite as limited in its character as the interpreters of our own Act in this country would seek to prove, inasmuch as Paris green, which is largely used for the purpose of destroying the Colorado beetle, forms a very large proportion of the number of samples examined, 50 out of the total of 488 being of this substance.

The report comprises separate statements from four different analysts, appointed for the districts of Toronto, Montreal, Quebec and Halifax, and a list of the samples submitted by the 11 inspectors. We are not aware that any statement has hitherto been published of the names, &c., of the Canadian public analysts; we find that for the Toronto division the analyst is W. Hodgson Ellis; for the Montreal division, J. Baker Edwards, Ph. D., D.C.L., F.C.S.; for the Quebec division, F. A. H. La Rue, M.A., M.D.; and for the Halifax division, Robert G. Fraser. The total number of samples submitted to these four analysts during the period embraced by the report was 488, of which, 247, or a fraction over 50 per cent., were found to be adulterated. Fifty of these samples were, as before mentioned, Paris green, and the other samples appear to have comprised a tolerably fair mixture of goods and condiments of all kinds, but if anything there is a leaning towards condiments rather than to articles which possess actual nutritive value. With this exception there is no fault to find with the selection. Thus far, then, the general result of the examination is somewhat akin to that which was found in England some five or six years ago, viz., that half the articles of food and drink sold were adulterated.

The general conclusions at which Mr. A. Brunel arrives are that a large proportion of the condiments submitted are adulterated, and to a very considerable extent; that coffee appears to be very largely adulterated, that nearly half the samples of butter were adulterated, and that the milk continues to be largely adulterated, while, he adds, that the experience now acquired in connection with the adulteration of this most important article of food is sufficient to justify the issue of specific instructions as to what should be considered an adulteration within the meaning of the Act.

The representative of the Canadian Inland Revenue Department, acting, we presume, on behalf of the Department, has therefore adopted the principle which the Society of Public Analysts have been urging for the last three years, viz.; that definite standards should be laid down and acted upon. In connection with this point it is of great importance to note that the standard for the analysis of milk, which has been adopted by the analysts in Canada and recognized in this Blue Book, is that fixed by the Society of Public Analysts; and that there are only one or two cases tabulated in which a milk, shewing less than 9 per cent. of solids not fat, has not been returned as adulterated, and even when this has been the case, some explanation, such as the presence of an excessive proportion of fat, is found in the report of the analyst. It may fairly be assumed, therefore, that the Canadian analysts eventually found—as our own leading analysts did—that 9 per cent. of solids not fat may fairly be taken as a percentage, which, while it does not fully protect the public, at any rate inflicts no injustice upon the vendors of milk.

The photographs of the adulterants, and some of the starches, presented to Canada by the English Inland Revenue Department, have been reproduced apparently by lithography, and with considerable care and accuracy.

We pass now to the consideration of the individual reports of the analysts. Mr. Ellis, of Toronto, appears to have examined twelve samples of tea, but unfortunately in no case were the alkaline and earthy salts present in the ash estimated. Some pains, however, were apparently taken to determine the estimation of theine present which was found to vary from .38 to 2.31 per cent. The estimations would be of greater value if the report had stated by what process their theine was determined. Three of the samples were faced, but no other adulteration was detected. In reference to coffee, adulteration with roasted wheat, peas, and beans is reported, in addition to the usual adulteration with chicory. Six samples of sugar were examined, four of which were of English make or refining, and from the figures of the analyses it is evident that they were all of extremely low quality, but no adulteration was detected. Three out of four samples of pepper were adulterated with wheat flour, while samples of cloves, allspice, and ginger were all found to contain wheat flour, Indian cornmeal, or cayenne pepper. Canned and tinned fruit and vegetables were generally reported to be of good quality, with the exception of Lima beans and French peas, both of which contained minute traces of copper. Out of eleven samples of milk, four were watered, five were deficient of cream, and only two were genuine. Twelve samples of butter were examined, but unfortunately the examination only went as far as the old process of determining the proportions of water, salt, and curds, no investigation as to the proportion of fatty acids was made. It may be of value, however, in some case in this country to point out that the maximum percentage of water found was only 10.5 per cent., and the maximum percentage of salt 5.9 per cent. The minimum proportion of butter fat in a sample marked Salt Butter was 80.80 per cent. A considerable number of the samples of Paris green, which, of course, ought to consist entirely of arsenate of copper, were adulterated with sulphate of baryta, the proportion sometimes reaching to 21 per cent.

Dr. Edwards, of Montreal, reports having examined eighty-five samples, of which fifty-eight were adulterated; he has, of course, met with the usual adulteration of skim milk, and states that the majority were so sophisticated. As to spices, he says that the husks of corn and various grains are freely mixed with them, together with such kinds of farina flour or ground rice as may best suit the texture or general appearance of the spice. At Montreal, according to Dr. Edwards, perfectly pure fresh butter is but seldom met with in the market; butterine appears to be largely sold, but not under its true name. One case of tinned vegetables had been coloured

by copper. When referring to the samples of Paris green submitted to him, he says that six out of twelve were more or less adulterated, and he draws special attention, and we think very wisely, to the dangerous results likely to occur to the water of streams used for drinking purposes, by the continued application of arsenical dressings to fields which drain into them. He concludes by pointing out that sulphur and phosphorus, carefully applied, might be more beneficial to the soil, and might be less injurious to the character of the water in the watercourses, while equally fatal to the insects it was sought to destroy.

Dr. La Rue, of Quebec, reports the analysis of twelve samples of butter, all of which were, in his opinion, pure, but, unfortunately, no determinations appear to have been made of the fatty acids or of the specific gravity; the melting point was determined, and it is stated that fusions commenced between 20 deg. and 21 deg. C., and was completed at 30 deg. and 31 deg. C. It is evident that these determinations of melting point have not been made with accuracy enough to enable them to be of any value for comparison with kindred English butters. The only adulterated samples met with in this district, were five samples of Paris green, adulterated with sulphate of baryta.

Mr. R. G. Fraser, the analyst for the Halifax division, reports the analysis of 72 samples, and says that the ground coffees were all mixed with peas or chicory in larger or smaller proportions, excepting one sample which was pure. Of six samples of pepper three were pure and three were adulterated with the husks of mustard seed and bread, the proportion of adulteration reaching in one case to 90 per cent. Perhaps the most interesting feature in Mr. Fraser's report is that having examined eight samples of milk he found that all were pure; a statement he was perfectly justified in making, for the average of the solids not fat amounted to 10.85 per cent., a pretty conclusive proof that the Canadian analysts have not erred on the side of injustice to the vendors in adopting the standard of 9 per cent. fixed by the Society of Public Analysts in this country.

A few samples were analysed of preparations of articles which appear to be included under the title of condiments, and we certainly think they deserve this title, rather than that of drugs. One sample, called Campbell's quinine wine, was found to consist of sherry wine, tincture of orange peel, citric acid, sugar, and sulphate of quinine, the proportion of the latter being half a grain per fluid ounce, and the strength 64 under proof. Another sample, marked Lyman's quinine wine, contained only one-third of a grain of sulphate of quinine per fluid ounce, and the alcoholic strength was 75 under proof, while the last sample mentioned in the list, and called Lewis's quinine port wine, is reported on as follows: "Consisting of inferior red wine (coloured with logwood), citric acid, sugar, tincture of gentian and orange, and traces of strychnia and brucia, and a small quantity of tincture of nux vomica," and it contained one third of a grain of sulphate of quinine per ounce, and the alcoholic strength was 68 under proof.

The tabulated statements at the end of the report are presented in a very valuable form, and we find there that some of the analyses have been carried to a much further extent than appears from the statements already commented upon. Thus we find that out of 49 samples of butter 10 were adulterated with foreign fats, the maximum proportion being 61 per cent. All these samples are in Dr. Edwards' district, and we may fairly presume that if the fatty acid process had been applied to the samples in the other districts the result would have been almost identical.

Mr. Ellis found one sample of cocoa coloured with venetian red, and two samples of coffee containing roasted wheat in addition to peas and chicory. Mr. Ellis also had three samples of sugar, all obtained from the same vendor, and containing common salt in proportions varying from a mere trace to 10 per cent. From the fact that the one containing the largest proportion was taken from the top of a hogshead, and the one containing the smallest proportion from the bottom of the same hogshead, it seems tolerably clear that it was merely a sample of sugar which had been wetted with sea water in transit.

From what we have written it will be seen that although we cannot congratulate Canada on having attained as great a degree of general purity with regard to articles

of food and drink as has been attained by the mother country, yet the Act so far has worked well and apparently done good service. If our own Government would follow the example set by the younger one, and publish in a blue book the names of the vendors of all those articles which were found to be adulterated, we should soon find that our percentage of adulteration would drop even lower than it has done.

**APPENDIX B.**

INSPECTION OF FOOD.

*REPORTS OF PUBLIC ANALYSTS.*

I.—TORONTO DIVISION.

TORONTO, 1st July, 1878.

To the Commissioner  
of Inland R

SIR,—I beg to submit the following report of my work during the past year :

I regret that owing to illness I was unable to analyse all the samples which you directed the Inland Revenue officers to submit to me.

I have analysed 88 samples as follows :—

	Samples.	Number of samples ana- lysed.
Cocoa and Chocolate.....	16	
Pickles.....	2	
Baking Powder.....	3	
Cream of Tartar.....	3	
Pepper.....	12	
Mustard.....	12	
Spices.....	15	
Milk.....	26	
.....	—	
.....	88	

*Cocoa and Chocolate.*—The terms cocoa and chocolate are employed in a very loose way to indicate a preparation of the cocoa bean, with or without an admixture of sugar and farina ; strictly speaking “cocoa” means simply ground cocoa nibs, just as “coffee” should contain nothing but the coffee berry, while “chocolate” is professedly a mixture of cocoa with sugar and arrowroot, or some other kind of starch. Pure cocoa is, however, very rarely met with, sugar and starch being almost invariably added in large quantities.

In many cases the fact of this admixture is stated on the label, but in no case that I have met with are the quantities of these ingredients so stated. While of the opinion that these admixtures are unnecessary, and, indeed, undesirable, as detracting from the value of the cocoa as an article of diet, I have not, as the case now stands, reported them as adulterations, but merely stated the fact of the admixture and the proportions in which the foreign ingredients have been added. Cocoa nibs contain about 50 per cent. of an oily matter, termed cocoa butter. As this large proportion of oil is unpalatable to some people, it is the practice with some manufacturers to remove a portion of it; when this is done it should be declared on the package, and the quantity removed stated.

The following table gives the result of my analysis :—

Number.	Name.	Cocoa Butter.	Sugar.	Starch.	Ash.	Remarks.
645	Epps' Cocoa.....	25·6	20	25	1·07	Arrowroot.
646	Carracas' Cocoa.....	21·0	20	60	0·54	Corn Starch.
647	Berlin Sweet Cocoa.....	31·4	40	.....	1·7	do
648	Breakfast Chocolate.....	23·4	15	35	1·6	Flour.
649	Soluble Cocoa.....	20·3	42	.....	1·6	Fat removed about 22p.c.
650	Chocolate.....	37·6	30	.....	1·7	
651	Chocolate.....	24·3	42	10	1·1	Corn Starch.
652	Chocolate, Meniers.....	18·6	63	.....	1·2	
653	Homœopathic Cocoa Powder.....	22·8	31	24	1·2	Arrowroot.
654	Unadulterated Chocolate..	21·2	35	23	1·1	do
655	Cadbury's Cocoa Essence	26·3	.....	.....	3·0	Two-thirds fat removed.
656	Rowntree's Rock Cocoa...	34·8	30	.....	2·0	
657	Epps' Cocoa Powder.....	25·6	20	25	1·07	Arrowroot.
658	Cadbury's Chocolate.....	19·5	20	20	1·7	do
659	Epps' Cocoa.....	25·6	20	25	1·07	do

Spices all more or less adulterated.

*Pickles.*—The pickles contained no copper or other injurious ingredient.

*Baking Powder.*—The samples of baking powder all contained carbonate of soda, and bitartarate of potash mixed with either flour or corn starch.

*Cream of Tartar.*—The samples of cream of tartar were unso-phisticated.

*Pepper.*—Twelve samples of pepper were examined, six black and six white. Of the white pepper three were adulterated and three pure. Of the black pepper only one was adulterated. The adulteration in each case was flour.

*Mustard.*—Twelve samples were analysed; all were adulterated. The usual adulterants were flour and turmeric, but in some cases ground rice was employed.

*Spices.*—I have examined fifteen samples of spices; they were all adulterated.

*Cinnamon.*—Five samples; all mixed with flour and rice; had cassia substituted for cinnamon.

*Allspice.*—Five samples; all mixed with flour.

*Mace.*—One sample, mixed with flour.

*Milk.*—I analysed twelve samples of milk in December, 1877, and fourteen in June, 1878.



The twelve samples examined in December shewed a very marked improvement in the quality of the milk. For example, of twelve samples examined during the previous May, the particulars of which were stated in my last Report, only one came up to the standard of 3 per cent. of fat, and only five came up to the standard of 2.5 per cent. of fat. Of twelve analyses reported in 1876, only four shew 2.5 per cent. of fat. Of samples analyzed last December, on the other hand, only two fall below 2.5 per cent of fat, while in seven samples the percentage of fat exceeds 3. So also in 1876, the total solids reached 12 p.c. in only two samples, and in May, 1877, there were only four samples in which the total solids reached 12 p.c., whereas in December there were only two in which the total solids fell below that number.

Marked improvement in quality of milk.

The analysis of No. 661 shows a rather large percentage of fat, a low ash and a low specific gravity; but as the solids, not fat, were just within the mark, I have not reported it watered.

The results obtained last June were not so good. Of fourteen samples analysed, the fat fell below 2.5 per cent in eight, and only reached 3 per cent. in two, and the total solids fell below twelve in nine.

The following table will give my results.—

Date.	Number.	Specific Gravity.	Fat.	Sugar.	Caseine.	Ash.	Total Solids.	Total Solids not Fat.	Remarks.
1877.									
Dec .....	660	1.031	2.6	4.0	6.3	0.7	13.6	11.0	
" .....	661	1.027	3.3	4.5	3.9	0.6	12.3	9.0	Low, specific gravity suspicious.
" .....	662	1.032	2.5	4.5	5.4	0.7	13.1	10.6	
" .....	663	1.030	2.4	4.2	5.6	0.7	12.9	9.5	Too little fat.
" .....	664	1.030	3.2	4.0	4.8	0.7	12.7	9.5	
" .....	665	1.022	1.8	3.8	3.2	0.6	9.4	7.6	Watered.
" .....	669	1.031	3.2	4.4	4.6	0.7	12.9	9.7	
" .....	670	1.020	3.4	3.2	4.8	0.5	11.9	8.5	Watered.
" .....	671	1.029	3.2	4.0	4.8	0.7	12.2	9.0	
" .....	672	1.030	3.1	4.4	4.6	0.7	12.8	9.7	
" .....	673	1.031	3.2	3.5	5.3	0.7	12.5	9.3	
" .....	674	1.034	2.5	4.2	5.3	0.7	12.7	10.2	
1878.									
June .....	1,519	1.030	1.4	6.0	4.3	0.5	12.2	10.8	Skimmed.
" .....	1,520	1.031	3.4	5.5	3.7	0.7	13.4	10.0	
" .....	1,521	1.027	2.4	4.7	4.1	.....	11.2	8.8	Watered.]
" .....	1,522	.....	2.8	4.8	5.3	0.4	12.3	9.5	
" .....	1,523	.....	2.0	4.9	3.6	0.6	11.1	9.1	
" .....	1,524	.....	2.3	4.9	4.5	0.5	12.2	9.9	
" .....	1,525	.....	1.2	6.3	3.5	0.5	11.5	10.3	Skimmed.
" .....	1,526	.....	1.9	5.0	4.1	0.5	11.5	9.4	do
" .....	1,527	1.030	2.9	5.4	3.9	0.7	12.9	10.0	
" .....	1,528	.....	1.8	5.3	2.0	0.4	9.5	7.7	Watered.
" .....	1,529	.....	2.8	5.7	2.4	0.7	11.6	8.8	do
" .....	1,530	.....	3.6	5.1	2.8	0.4	11.9	8.3	do
" .....	1,531	.....	2.4	5.9	2.9	0.6	11.8	9.4	
" .....	1,532	.....	2.5	5.9	2.6	0.5	11.5	9.0	

I annex a tabular Statement of the year's work.

Description of Sample.	Number Analysed.	RESULTS.		Remarks.
		Genuine.	Adulterated.	
Cocoa and Chocolate..	15	15	.....	
Pickles.....	2	2	.....	
Baking Powder.....	3	3	.....	
Cream of Tartar.....	3	3	.....	
Pepper.....	12	4	8	Flour.
Mustard.....	12	.....	12	Flour and turmeric.
Spices.....	15	.....	15	Flour.
Milk.....	26	17	9	6 watered and 3 skimmed.
Total.....	88	44	44	

I have the honour to be, Sir,  
Your obedient servant,

W. H. ELLIS.

## II.—MONTREAL DIVISION.

MONTREAL, 1st September, 1878.

To the Commissioner of Inland Revenue,  
Ottawa.

Number of  
samples ana-  
lysed.

SIR,—I have the honor to submit my report for the year ending July 1st, 1878, but extended to the present date, in order to include all the samples enumerated in the order of the Department received in April last, which it has not been found practicable to complete satisfactorily at an earlier date. This order comprised 277 samples of food, on which I have reported with the following results:—

No.	Nature of Samples.	Results.		
		Genuine.	Adulterated	Doubtful.
50	Milk.....	29	18	3
36	Butter.....	28	6	2
24	Sugar.....	24	.....	.....
24	Coffee.....	5	19	.....
24	Tea.....	18	6	.....
24	Cocoa and Chocolate.....	24	.....	.....
12	Mustard.....	4	8	.....
12	Pepper.....	.....	12	.....
24	Spices.....	3	21	.....
21	Sweets.....	20	1	.....
6	Pickles.....	6	.....	.....
12	Potted Meats.....	12	.....	.....
8	Canned Fruit.....	8	.....	.....
277	Total.....	181	91	5

## MILK.

On the important subject of milk, some useful data has been added to previous experience by the examination of milk, both from town and country, during the months of April, May, June and July, at about weekly intervals, taken by the same method, but by different officers. The results show but few doubtful samples, and the deficiency in cream, as well as dilution by water when fraudulently practised, is usually carried beyond the normal variation of rich and poor milk. The milk pipette is therefore a valuable mode of obtaining fair average samples. A similar weekly test for the rest of the year would afford valuable data for "milk standards."

## BUTTER.

This subject was somewhat fully treated in the last report, and an extension of the examination of samples would show that whilst "Butterine" is sold under the name of butter in the open markets, and in some retail stores, the wholesale butter trade are quite alive to the substitution, and do not touch the article, the only instance to the contrary being one in which after giving samples for analysis, the proprietor immediately closed his store and left the city. It may be assumed that the adulteration of butter by mixed meat fats has for the time being ceased, but there are indications that it may be actively resumed in somewhat large proportions in the fall of this year under the regulations of the Act of last Session.

## SUGAR.

Of the 24 samples of sugar submitted to me, five samples were "American White Refined" all practically pure; (impurities under one per cent.) Optical test equal to 99 to 100 per cent. of cane sugar.

Eight samples of Scotch Yellows, grades 15 to 21, prices 8c. to 10c. per lb., containing from 84.5 to 97.6 of cane sugar, 0.9 per cent. to 10.0 per cent. of glucose, and 1.5 to 5 per cent. of moisture, containing a mere trace of chlorides, and from 0.4 to 3.5 of other impurities.

Eleven samples of raw sugars, prices 7c. to 8c., contained:

- 80.3 to 90.2 of cane sugar;
- 3.6 to 11.7 of glucose;
- 2.5 to 9.0 of moisture;
- 1.5 to 4.5 of other impurities.

No samples were submitted to me of the kind known as "American Yellows," or of "Tinted Whites." So far as the samples examined are concerned, I find no evidence of adulteration by the addition of salt, of starch, glucose, or of foreign colouring matter.

## COFFEE.

The results of recent examination confirms my previous report that ground coffee is rarely to be obtained in a genuine state, and that the various admixtures are by no means confined to chicory, but comprise roasted beans, peas, wheat and other cereal corns, giving a sweet and sickly decoction, possessing but little of the stimulating and restorative effect of freshly roasted coffee beans, which are as highly valuable for aromatic oil as for their alkaloidal principal caffeine.

Coffee, rarely obtained in a genuine state.

## COCOA AND CHOCOLATE.

Cocoa and  
chocolate.

I have only to say in regard to these preparations, that they are so essentially proprietary nostrums of a special and compounded nature, that it is scarcely possible to assume any standard of purity or of excellence. As a rule the price is a fair guide to the commercial, although not to the dietetic, value of the article manufactured. I find, however, no instance of fraudulent substitution of unwholesome ingredients, and only two samples of marked inferiority of manufacture, which are indicated by the marginal remarks.

## TEA.

Tea.

The number and variety of the samples examined has not yet been sufficient to enable me to comment on the general character of the teas in the Canadian market. From the samples submitted to me I am disposed to think that the public suffer more from the sale of teas of greatly deteriorated quality and depreciated value than from any systematic mode of adulteration by foreign leaves, substituted for tea. Some samples indeed have been brought under my notice which can scarcely be called tea, and which contain no genuine tea leaves, but these have been sold at so low a price as should caution the purchaser that he cannot expect foreign tea leaves at the prices quoted, viz: 15 to 20 cents per pound. It is suggested that such commodities get into consumption only in lumber districts and under labour contracts, but as the article, like the "pea coffee," is utterly worthless, its supply should if possible, be suppressed.

## CONDIMENTS AND SPICES

Condiments  
and spices  
largely adul-  
terated.

Continue to be generally and largely adulterated, and but little effort is made to conceal the sophistication. The adulterants, however, are generally of a harmless and diluent character only.

## CONFECTIONERY.

Confectionery.

The sweets I have examined have been chiefly of the better class of sugar sweets, and I have only met with one instance of adulteration with mineral ingredients; the number and class of samples does not, however, enable me at present to give any general opinion on the extent or nature of adulteration among the cheaper class of sweets.

## PICKLES.

Pickles.

The pickles examined were from various manufacturers, and all free from copper.

## POTTED MEATS AND FISH.

Potted meats  
and fish.

Some of these of old importations from Europe had suffered much in flavour from long keeping, but none of them were in any injurious state of decay or decomposition.

Those of Canadian manufacture, however, compared very favourable in this respect, and especially the fresh canned meats and boiulle were of excellent quality and condition. The canned salmon from British Columbia was of fine flavour and well preserved. The canned lobster from the east coast, was, however, unequal in quality, and some quite inferior and unwholesome.

## CANNED FRUITS.

I find no adulteration practised in the preparation of these fruits, but I observe differences of excellence in the ripeness and quality of the fruit, which affects not only the flavour, but also the wholesomeness of the product as food. Canned fruits.

In several instances where the fruit has been canned in an unripe state, the vegetable acid juices have attacked the solder of the tins, and dissolved a notable quantity, both of lead and of tin, and the syrupy liquid has thus become impregnated. Although the quantity of dissolved lead is very minute, it cannot be regarded as unimportant, its insidious and cumulative poisonous effects being so capricious and so idiosyncratic, that it should, if possible, be banished from every article of food. The absence of every trace of metallic impurity in the other samples examined shows that this source of danger may be avoided by the selection of good and ripe fruit. When canned in an unripe state the acid attacks solder.

## TEMPERANCE BEVERAGES.

The question has arisen (in connection with our public parks) whether the malt liquors sold as Lager beer and Wiess beer are intoxicating liquors. Several samples of these beers, and of the root beer called Niagara Beer, were submitted to me by the Department last summer, and I then found the percentage of alcohol in Niagara Beer to range from  $1\frac{1}{2}$  to  $2\frac{1}{2}$  per cent.; in Lager beer from 3 to  $4\frac{1}{2}$  per cent.; in hop beer or wiess beer from  $4\frac{1}{2}$  to 5 per cent. In some recent examinations of Wiess beer on behalf of the Provincial Revenue, I have found the percentage of alcohol range from 3 up to 6 per cent., the beer being still in a fermentiscible condition, and containing available glucose for the production of more alcohol. The police magistrate, in one of these cases, convicted the defendant under the Provincial Act, for selling "malt liquor, containing an intoxicating principle," without a license. Temperance beverages.

## WATER.

The sale of water for household purposes, and as an article of food, appears to me to be a question of some considerable public importance, and one which, if not already contemplated under the Food Act, might very properly be so included. Water.

Facts have been brought under my notice as to the sale of water in suburban districts taken from sources known to contain sewage matter, and also a case in which water was contaminated with Lead; these were cases deserving of official investigation and publicity, but unfortunately the proper authorities to undertake such enquiries could not be found. Such contaminations are undoubtedly, at least as important in a water supply as in any other article of food, and probably capable of doing more wide spread mischief, in the spread of malaria of a typhoid character.

I have the honor to be, Sir,  
Your obedient servant,

J. BAKER EDWARDS,  
Ph.D., D.C.L., F.C.S.,  
Public Analyst.

## III.—QUEBEC DIVISION.

(Translation.)

QUEBEC, 12th November, 1877.

A. BRUNEL, Esq.,  
Commissioner.

SIR,—Herein enclosed you will find my "Remarks" on the last samples examined by me.

*Baking Powder.*Baking  
Powder.

In the two samples which I examined, the quantity of farinaceous substance which I found mixed with tartaric acid and the carbonate of soda, was in one instance 10 per cent. and in the other 50 per cent.

Addition of  
farinaceous  
substances.

The object of the addition of these farinaceous substances is, without doubt, the subdivision of the two chemical ingredients in such way as to obtain a slower, and consequently a more uniform, effervescence in the sponge. How much of these farinaceous substances is it lawful to mix with the two chemical ingredients? I cannot answer the question. If, on the one hand, a too large proportion of flour may interfere with the effervescence, and consequently with the action of the powder in causing the rising of the sponge, on the other, a too large proportion of tartaric acid and carbonate of soda, might prove injurious to health by the introduction of too large a quantity of tartaric acid into the stomach. Account must also be taken of the quantity to be used, which is mentioned in the printed directions.

Thus, of *Durkee's powder*, which contains 10 per cent. of farinaceous matter, the quantity prescribed is two tea spoonfuls; while of the *chemical yeast or baking powder*, which contains 50 per cent. of farinaceous matter, the quantity to be used is three table spoonfuls.

*Cocoa and Chocolate.*Cocoa and  
Chocolate.

I have classed as *adulterated* the five specimens of *cocoa* which I examined, and as *not adulterated* the five samples of *chocolate*, although the composition of the latter was very nearly the same as that of the former. But, contrary to the opinion of many persons, the words *cocoa* and *chocolate* are not synonymous. In fact the word *cocoa* or *cacao*, is used to describe a tree growing in the Indies, and by extension the fruit of that tree. The word *chocolate*, on the contrary, is applied to a *compound* or *mixture*, into the formation of which a greater or less quantity of *cocoa* enters, together with a certain proportion of some description of meal, sugar, &c., the presence of meal in the *chocolate*, which is recognized in trade as an artificial mixture, does not therefore constitute an adulteration; but the presence of the same meal in *cocoa*, which is a natural product, and which does not naturally contain, it *does* constitute an *adulteration*.

The words  
not synonymous

I am aware, however, that certain English manufacturers class the two articles as one and the same, and use the two words *cocoa* and *chocolate* as synonymous. It remains to be decided how far

manufacturers are to be allowed thus to exchange the value of words. In the French language the two words *cocoa* and *chocolate*, are never interpreted as synonymous.

*Cod Liver Oil.*

Formerly the cod liver oil offered for sale in this city, as elsewhere, was considerably adulterated by the admixture of other oils. Now in view of the low price at which that product can be obtained in this district, those adulterations are no longer practised. Our apothecaries now sell only the pale oil; there is no longer any demand for the brown oil.

*Bread.*

I was under the impression that the bakers in Quebec added a considerable proportion of mashed potatoes to the sponge. By microscopic examination I did not detect the presence of any of the amylaceous cells of the potato. In a conversation which I have since held on the subject, with a former baker who has now retired, I learned that the potato is only used in the preparation of the leaven, and that the quantity so used is very small. By this somewhat prolonged contact with the yeast, all the fecula, evidently, is transformed into glucose.

*Milk.*

Among the samples of milk examined some were found to have been skimmed. Milk, skim med.

I am told that certain dealers make a business of selling skimmed milk; some notify the consumer and sell such milk at a lower price; but all do not carry their scruples so far, and No. 729 was sold as pure milk and at the same price as unskimmed milk.

F. A. H. LARUE, M.A., M.D.  
*Inspecting Chemist.*

---

QUEBEC, September 28th, 1878.

To the Commissioner of  
Inland Revenue, Ottawa.

SIR,—I have the honour to transmit you the following remarks and observations relative to the analyses which I made under orders from the Department, dated April 4th, 1878.

*Pickles.*

Scarcely any but "Crosse & Blackwell's" pickles are to be found at the Quebec grocers. The labels of this commercial house are somewhat varied, the colors of certain letters are not always the same. However, the Crosse & Blackwell samples which I have examined were perfectly pure. Pickles.

The sample labelled "John Moir & Son" of a conspicuous green color, was found to be of excellent quality.

The samples marked with the names of "Copland" and of "Lawrence" had evidently lain for some time on the store shelves.

The sample labelled "Wyatt & Co." found by accident, must have been very old, if I judge by the proportion of sulphuric acid it contained.

No traces of arsenic.

It is often mentioned in the treaties on medicine toxicology, that arsenious acid (arsenic) is found in the pickle vinegar; query of very great importance in certain cases of poisoning. No trace of arsenic was found in any of the samples which I have examined, not even in that of "Wyatt & Co.," although contaminated with sulphuric acid.

I have the same remark to state on the subject of salts of copper, of which no trace was found in the samples examined by me.

#### *Potted Meats.*

**Potted meats.** All the potted meats which I have examined were found to be in a perfect state of preservation, but all were not prepared with the same skill and care; at the head of such establishments a competent cook is the first requisite. A glance at the result of my analyses will convince one that those cooks have to the present day been behind the knowledge of their task.

Nutrient extracted previous to potting.

To my surprise, I discovered that fraud is resorted to in the preparation of these potted meats, which probably accounts for the discredit into which they have fallen. For example, the roasted meats, such as beef steak, roast beef, roast veal, roast mutton, &c., are prepared in the following manner. Juice is first extracted by ebullition, and with this juice soups are made. Then these meats, thus deprived of their nutritive substance, are packed in cans and the vacuum is filled with more or less gelatine, and a kind of brown sauce which is always the same.

It is easily understood that those roasted meats have but little nutritive properties.

These preparations of potted meats could be done very cheap in Canada; and the products might become an object of great importance for exportation. But it would be necessary, in order to attain this end, that the Government should watch the manufacturing very closely.

#### *Tea.*

**Tea.**

According to my analyses good tea can be had in Quebec for sixty (60) cents a pound. All the samples which had cost only thirty (30) cents a pound (with the exception of No. 779) contained less than 1.20 per cent. of theine. In the green teas I found no trace of copper.

#### *Canned Fruits.*

**Canned Fruits.**

A great number of these were impaired in their appearance and flavour. This result must be attributed mostly to their old age.

#### *Spices.*

**Spices.**

As in preceding years, spices are always strongly adulterated with sundry mealy substances.

#### *Coffee.*

**Coffee.**

Good ground coffee can be procured in Quebec for fifty (50) cents a pound, under this price ground coffee is generally adulterated with various kinds of burnt meal, or with succory.



Tea and coffee are often used in medicine as *stimulants*. They **Tea.** derive their stimulant properties from the *theine and caffeine* which they contain, these being immediate principles, which succory or mealy substances do not contain. The knowledge of the cost of these two articles is therefore important for medical men; it is a first guarantee of their degree of genuineness.

*Sweets.*

With the exception of No. 1135, all the samples of sweets **Sweets.** which I examined were of excellent quality. In none of them did I find the slightest trace of mineral colouring substance. No. 1135 contained much starch in the raw state; such sweets are hard to digest.

*Sugars.*

Nearly all the raw sugars examined have been found of the worst **Sugars.** quality. They were mixtures of glutinous appearance and sticky, overloaded with glucose.

In a preceding report I have expressed the opinion that this excess of glucose was probably due to the fraudulent introduction of artificial glucose prepared with amylaceous matter. My last analyses confirm these conjectures.

*Butter.*

None of the samples of fresh or salt butter contained any of this **Butter.** artificial fatty substance named "Butterine." This kind of adulteration appears to be still unknown in my district, and, in fact, would have no reason to exist. At this present moment excellent butter can be had in the Quebec markets for the low price of twelve and fifteen cents a pound. Many of the samples had been badly prepared; this is a blame which has often been laid on our French Canadian agricultural people, blame well deserved which our agricultural papers often charge them with. They do not dry their butter sufficiently or do the salting badl

*Milk.*

As in my preceding analyses, I found several samples which had **Milk.** been skimmed. This is a fact of great importance, when one considers that milk is the principal ingredient of food for children and sick people.

I have the honor to be, Sir,  
Your most obedient servant,

(Signed) F. A. H. LARUE, M.A., M.D.

## IV.—HALIFAX DIVISION.

HALIFAX, 1st October, 1877.

To the Commissioner of Inland Revenue.

SIR,—For the quarter ending 30th September, I have received :—

Number of  
samples ana-  
lysed.

Nine samples of cocoa and chocolate.  
 Ten samples of milk.  
 Two samples of baking powder.  
 Two samples of cod liver oil.  
 Two samples of bread.  
 Three samples of cream of tartar.  
 Two samples of pickles.

The chocolates are all mixed with sugar and flour or farina.

No. 578 contains 47 per cent of sugar.

No. 579 contains a small percentage of flour.

No. 580 contains 10 per cent. arrowroot and 20 per cent. sugar.

No. 582 contains 21 per cent. of sugar.

No. 583 contains a small percentage of flour.

No. 586 contains 53 per cent. of sugar, and only 9 per cent. of fat.

No. 588 contains 23 per cent. of sugar and 10 per cent. arrowroot.

No. 589 contains 50 per cent. of farina.

No. 590 contains 25 per cent. of sugar.

No. 571 contains bread from good wheat flour, with a small percentage of salt and 38 per cent. of water.

No. 576 contains bread from good wheat flour, with a small percentage of salt and 34 per cent. of water.

No. 572 contains mixed pickles, vinegar, spices and pickles only.

No. 573 contains mixed pickles, vinegar, spices and pickles only.

No. 574 contains baking powder, composed of 25 per cent. of cream of tartar, 38 per cent. of carbonate of soda, and 37 per cent. of wheaten flour.

No. 587. Baking powder, composed of 20 per cent. cream of tartar, 15 per cent. of carbonate of soda, and 65 per cent. of wheaten flour and farina.

No. 575 contains cream of tartar, nearly pure, only 0.76 tartarate of lime.

No. 577 contains cream of tartar, nearly pure, 2.76 tartarate of lime.

No. 581 contains cream of tartar, nearly pure, 2.40 tartarate of lime.

No. 584 contains cod liver oil, pure and fresh.

No. 585 contains cod liver oil, pure and fresh.

Of the ten samples of milk, Nos. 1 to 6 have a very low percentage of cream, and are evidently mixed with skimmed milk.

No. 7 gave a large percentage of cream, 5.15, but it could not have been an average sample, as the solids, not fat, were only 8.20 and the ash 0.5, so the milk must have had water added.

No.	Name of Vendor.	Residence of Producer.	Cream.	Solids not Fat.	Ash.	Specific Gravity.
1	Mrs. McDonald.....	Richmond.....	2.0	9.25	0.6	1030.
2	Mrs. Collins.....	North West Arm.	2.5	8.8	0.7	1027.
3	Mrs Schuppe.....	Dartmouth.....	2.5	8.0	0.6	1026.
4	do.....	Truro.....	2.15	9.25	0.7	1021.
5	John Gould.....	Elmsdale.....	2.2	8.9	0.7	1031.
6	Mrs. Waugh.....	Halifax.....	2.4	12.0	0.7	1038.
7	Davidson.....	Shubenacadie.....	5.15	8.2	0.5	1027.
8	John Etter.....	do.....	3.0	12.0	0.6	1025.
9	Mrs. Cary.....	Dartmouth.....	4.5	8.8	6.6	.....
10	Mrs. Ryan.....	Halifax.....	3.3	11.4	0.7	1032.

The solid matter from No. 4 had a very strong, disagreeable odour.

ROBERT G. FRASER.

HALIFAX, 9th July, 1878.

A BRUNEL, Esq.,  
Commissioner of Inland Revenue.

SIR,—I have the honour to submit the following report of my analyses during the past three months, viz.:—

Twenty-five samples of milk.  
Twelve samples of sugars.  
Twelve samples of teas.  
Six samples of mustard.  
Eleven samples of ground spices.  
One sample of ground ginger.  
Six samples of ground peppers.  
Twelve samples of ground coffees.  
Eleven samples of chocolate and cocoas.  
Two samples of confectionery.  
Three samples of preserves, jelly and jams.  
One sample of pickles.  
Two samples of preserved meats.  
Eighteen samples of butter.

Number of  
samples ana-  
lysed.

Of these 122 samples I have reported 52 adulterated and 71 genuine.

#### MILKS.

Two samples watered and eight deficient in cream.

#### MUSTARDS.

Six samples mixed with wheaten flour.

SPICES.

Nine samples mixed with corn meal, ground rice, rice husks and ground toasted peas.

PEPPERS.

Four samples mixed with corn meal, ground rice and rice husks.

COFFEES.

Twelve samples mixed with peas and chicory.

CHOCOLATE AND COCOA.

Ten samples mixed with sugar and farina. Chocolate and cocoa are usually sold mixed with these substances.

GROUND GINGER.

One sample mixed with corn meal.

SUGARS.

All genuine; no adulteration.

TEAS.

No adulteration; some samples much broken and mixed with a few foreign and withered leaves.

CONFECTIONERY.

No adulteration or injurious colouring.

PRESERVES, JAMS AND JELLIES.

No adulteration.

PICKLES.

No adulteration or injurious colouring.

PRESERVED MEATS (SAUSAGES.)

No adulteration.

BUTTERS.

No adulteration or excess of salt or water.

Your obedient servant,

ROBERT G. FRASER.

---

The following is a Tabular Statement of my results to 30th June, '78.

Description of Sample.	Number Analyzed.	Genuine.	Adulterated.	Nature of Adulteration.	Remarks.
Milk.....	35	18	17	Water.....	13 deficient in cream; 4 watered.
Sugars.....	12	12	.....	No adulteration.	
Teas.....	12	12	.....	do	No adulteration. Some samples much broken and mixed with a few foreign and withered leaves.
Mustards.....	6	.....	6	Wheaten flour..	Mixed with wheaten flour.
Ground Spices...	12	3	9	Cornmeal, &c....	Mixed with cornmeal, ground rice, husks, and ground roasted peas.
do Ginger..	1	.....	1	Cornmeal.....	
do Pepper..	5	1	4	Cornmeal, &c....	Mixed with cornmeal, ground rice and husks.
do Coffee...	12	.....	12	Peas and chicory	Largely adulterated.
Chocolate, Cocoa and Broma .....	20	1	19	Sugar and farina	Chocolate and Cocoa usually contain farina and sugar. One sample old and very acid and unfit for food.
Confectionery....	2	2	.....	No adulteration.	No adulteration or injurious coloring.
Preserves, Jams and Jellies.....	3	3	.....	do	No adulteration.
Pickles, Mixed...	3	3	.....	do	No adulteration or injurious coloring.
Preserved Meats.	2	2	.....	do	No adulteration.
Butter.....	18	18	.....	do	No foreign fats or excess of salt or water.
Baking Powder..	2	2	.....	do	A mixture of farina, cream of tartar and bicarbonate of soda.
Cod Liver Oil....	2	2	.....	do	No adulteration; fresh and good.
Bread.....	2	2	.....	do	No adulteration.
Cream of Tartar	3	3	.....	do	No adulteration.
	152	8	68		

ROBERT G. FRASER.

HALIFAX, 30th June, 1878.

APPENDIX C.—INSPECTION OF FOOD.

MEMORANDUM of Instructions given to the Collectors of Inland Revenue as to the number of Samples to be submitted to the various Public Analysts, during the Fiscal Year ending 30th June, 1878.

Date.	Collector of Inland Revenue.	Division.	Baking Powder.	Beer.	Bread.	Butter.	Chocolate.	Cocoa.	Cod Liver Oil.	Coffee.	Cream of Tartar.	Egg Powder.	Milk.	Mustard.	Other Spices.	Pepper.	Pickles.	Sugar.	Tea.	Total estimated Cost of Analysis.	Remarks.
1877.																				\$ cts.	
August 1...	J. Morrow...	Toronto.....	3 ...	7 ...	7 ...	7 8 5 .....	7 8 5 .....	7 8 5 .....	7 8 5 .....	3 ...	3 ...	1 12 ...	50 12 24 12 ...	50 12 24 12 ...	2 .....	2 .....	2 .....	24 ...	24 ...	294 00	Consulting with Analyst as to time of submitting them.
1878.																					
April 4...	do ...	do .....	.....	.....	36 12 12 ...	36 12 12 ...	36 12 12 ...	36 12 12 ...	24 .....	24 .....	.....	.....	50 12 24 12 ...	50 12 24 12 ...	.....	.....	.....	24 ...	24 ...	1,486 00	Also instructed to submit a few samples of Canned Fruit, Potted Meats, Pickles and Sweets.
1877.																					
July 14...	D. Browne...	Montreal .....	.....	5 .....	.....	.....	.....	.....	.....	.....	.....	.....	.....	.....	.....	.....	.....	.....	.....	25 00	
August 1...	do ...	do .....	3 ...	7 ...	7 8 5 .....	7 8 5 .....	7 8 5 .....	7 8 5 .....	7 8 5 .....	3 ...	3 ...	1 12 ...	50 12 24 12 ...	50 12 24 12 ...	.....	.....	.....	.....	.....	324 00	Consulting with Analyst as to time of submitting them.
Dec. 4...	do ...	do .....	.....	.....	.....	.....	.....	.....	.....	.....	.....	.....	.....	.....	.....	.....	.....	.....	.....	100 00	do
1878.																					
March 24...	do ...	do .....	.....	.....	8 .....	8 .....	8 .....	8 .....	8 .....	.....	.....	.....	50 12 24 12 ...	50 12 24 12 ...	.....	.....	.....	.....	.....	40 00	do
April 4...	do ...	do .....	.....	.....	36 12 12 ...	36 12 12 ...	36 12 12 ...	36 12 12 ...	24 .....	24 .....	.....	.....	50 12 24 12 ...	50 12 24 12 ...	.....	.....	.....	.....	.....	1,486 00	do
1877.																					
August 1...	J. E. Fortier	Quebec.....	2 ...	5 ...	5 5 3 .....	5 5 3 .....	5 5 3 .....	5 5 3 .....	5 5 3 .....	2 ...	2 ...	.....	8 .....	8 .....	.....	.....	.....	.....	.....	196 00	Also instructed to submit a few samples of Canned Fruits, Potted Meats, Pickles and Sweets.
1878.																					
April 4...	Geo. LaBue.	do .....	.....	.....	18 6 6 ...	18 6 6 ...	18 6 6 ...	18 6 6 ...	12 .....	12 .....	.....	.....	25 6 12 6 ...	25 6 12 6 ...	.....	.....	.....	.....	.....	743 00	Consulting with Analyst as to time of submitting them.



APPENDIX D.—INSPECTION OF FOOD.  
 TABULATED Statement of the results of Analysis of Food, for the Fiscal Year ending 30th June, 1878.  
 ALLSPICE.

Date.	Name of Analyst.	Division.	No. of Analyst's Report.	Vendor.	Results of Analysis, and remarks by the Analyst.
1878.					
July 3...	W. H. Ellis .....	Toronto .....	1,505	C. Bealy .....	Mixed with flour.
do 3...	do .....	do .....	1,509	James Lumsden.....	Largely adulterated with flour.
do 3...	do .....	do .....	1,512	John Jeffs .....	do do
do 3...	do .....	do .....	1,516	J. J. Funston.....	do do
do 3...	do .....	do .....	1,518	P. Mulqueen.....	Adulterated with farinaceous matter.
do 30...	J. B. Edwards .....	Montreal .....	1,342	O. Gravel.....	Adulterated with pea meal and corn husks to the extent of 30 per cent.; ash, 3-20 per cent.
do 30...	do .....	do .....	1,343	J. McLaughlin.....	Adulterated with pea meal and husks to the extent of 20 per cent.; ash, 3-25 per cent.
do 30...	do .....	do .....	1,344	J. F. Howard.....	Adulterated with pea meal and husks to the extent of 10 to 15 per cent.; ash, 4-60 per cent.
do 30...	do .....	do .....	1,345	Lavery & Co. ....	Adulterated with 10 to 15 per cent of corn husks and woody fibre, but no starch; ash, siliceous and deliquescent, 4 per cent.
June 30...	R. G. Fraser.....	Halifax.....	1,205	R. N. Beckwith .....	Adulterated with 35 per cent. of roasted peas.
do 30...	do .....	do .....	1,266	John P. Mott.....	do do
do 30...	do .....	do .....	1,207	John McKay.....	No adulteration.

BAKING POWDER.

1877.					
Dec. 22...	W. H. Ellis.....	Toronto .....	666	J. Berwick.....	Consists of tartaric acid and carbonate of soda, mixed with flour.
do 22...	do .....	do .....	667	Shields & Co .....	do do
do 22...	do .....	do .....	668	Henry Hogen.....	Consists of tartaric acid and carbonate of soda and corn starch.
Oct. 1...	J. B. Edwards.....	Montreal .....	821	L. A. Lesieur.....	Consists of dried flour, cream of tartar and carbonate of soda, and contains no ingredient injurious to health.



do do	do do	do do	do do	do do	do do	do do	do do
Aug. 18...	F. A. H. LaRue.....	Quebec.....	do.....	do.....	do.....	do.....	do.....
do 18...	do.....	do.....	do.....	do.....	do.....	do.....	do.....
Oct. 1...	R. G. Fraser.....	Halifax.....	do.....	do.....	do.....	do.....	do.....
do 1...	do.....	do.....	do.....	do.....	do.....	do.....	do.....

822 D. Rouse .....  
823 P. Pouliot.....  
702 Arthur Turcotte.....  
574 W. M. D. Pearman & Co.....  
587 F. A. Lockhart.....

Genuine baking powder, but inferior in quality to sample No. 1, and sold at a lower price. It contains no unwholesome ingredients.  
Tartaric acid and carbonate of soda, 50 per cent.; wheat flour 50 per cent.; not adulterated.  
Tartaric acid and carbonate of soda, 90 per cent.; wheat flour, 10 per cent.; not adulterated.  
25 per cent. cream of tartar; 38 per cent. carbonate of soda; 37 per cent. wheaten flour.  
20 per cent. cream of tartar; 15 per cent carbonate of soda; 65 per cent wheaten flour and farina.

BREAD.

Sept, 18...	F. A. H. LaRue.....	Quebec.....	T. Hethrington.....	do.....	Pure bread made of wheat flour; no extraneous flour nor foreign mineral ingredients; not adulterated.
do 18...	do.....	do.....	do.....	do.....	do.....
do 18...	do.....	do.....	T. Johnston.....	do.....	do.....
do 18...	do.....	do.....	J. M. Corkell.....	do.....	do.....
do 18...	do.....	do.....	do.....	do.....	do.....
do 18...	do.....	do.....	J. E. Burke.....	do.....	Pure, with the exception of slight traces of tartarate of lime; not adulterated.
Oct. 1...	R. G. Fraser.....	Halifax.....	W. C. Muir.....	do.....	38 per cent. water, a small proportion of salt, the remainder bread made from good wheat flour.
do 1...	do.....	do.....	— Wiswell.....	do.....	do.....

APPENDIX D.—INSPECTION OF FOOD.—  
BUTTER.

Date.	Name of Analyst.	Division.	No. of Analyst's Report.	Vendor.
1878.				
Mar. 31	J. B. Edwards	Montreal	853	Thos. Leeming & Co.....
April	do	do	854	do .....
do	do	do	855	S. Peaford & Co .....
do	do	do	856	M. Hannan .....
do	do	do	857	A. McFee & Co.....
do	do	do	858	A. G. McBean.....
do	do	do	859	George Hait .....
do	do	do	860	Harlow Chandler.....
do 26	do	do	872	Leonide Poisey .....
do 26	do	do	873	A. Baylis.....
do 26	do	do	874	J. Mullen.....
do 26	do	do	875	N. Kearns.....
do 26	do	do	876	David David .....
do 26	do	do	877	D. C. Brosseau.....
May 25	do	do	899	George Graham.....
do 25	do	do	900	F. J. Hart.....
do 28	do	do	1,001	G Jordan .....
do 28	do	do	1,002	Crawford & Gordon .....
do 28	do	do	1,003	T. Crathern.....
do 28	do	do	1,004	McGibbon & Baird .....
do 31	do	do	1,007	W. Galbraith.....
do 31	do	do	1,008	T. Gauthier .....
do 31	do	do	1,009	Piché & Demers.....
do 31	do	do	1,010	Thomas Norman.....
do 31	do	do	1,011	Paul Lagarde.....
do 31	do	do	1,012	D. Rousse .....
do 31	do	do	1,013	Bell, Simpson & Co .....
do 31	do	do	1,014	do .....
do 31	do	do	1,015	do .....
June 5	do	do	1,016	George Wait .....
do 5	do	do	1,017	do .....
do 5	do	do	1,018	A. McK. Cowie .....
do 5	do	do	1,019	do .....
do 5	do	do	1,020	DeSola Bros. & Collins.....
.....	do	do	1,021	do .....
.....	do	do	1,022	do .....
June 8	do	do	1,029	J. Hamilton & Co.....
do 8	do	do	1,030	A. G. McBean & Co.....
do 8	do	do	1,031	David Robertson & Co .....
do 8	do	do	1,032	A. M. McFee & Co .....
do 8	do	do	1,033	Fuller & Shufelt .....
do 8	do	do	1,034	do .....
do 8	do	do	1,035	do .....
do 8	do	do	1,036	Kingan & McBurney.....
Aug. 17	F. A. H. LaRue	Quebec	1,177	M. Boyce .....
do 17	do	do	1,178	Leclerc & Letellier.....
do 17	do	do	1,179	Jacques Cartier Market.....

## Tabulated Statement, &amp;c.—Continued

Results of Analysis.						Remarks by the Analyst.
Butter. Fat.	Caseine.	Salts.	Water.	Other Fats.	Curds.	
p. cent.	p. cent.	p. cent.	p. cent.	p. cent.	p. cent.	
82.0	2.5	8.5	7.0	.....	.....	Genuine salt butter.
84.0	2.0	5.0	9.0	.....	.....	do do
25.0	.....	5.1	7.5	62.4	.....	Adulterated with other meat fats.
79.0	1.50	4.0	8.5	.....	.....	Genuine butter, but over salted; old and strong.
81.5	1.5	6.0	11.0	.....	.....	Genuine salt butter.
80.0	2.5	5.5	12.0	.....	.....	Genuine salt butter with excess of water.
84.0	2.0	6.0	8.0	.....	.....	Genuine salt butter.
82.5	1.5	6.5	9.5	.....	.....	Genuine.
66.0	.....	12.0	14.0	.....	8.0	Adulterated with curds, water and salt.
72.0	.....	8.0	10.0	.....	10.0	Contains excess of curds but not adulterated.
60.0	10.0	3.0	5.0	22.0	.....	Adulterated with other meat fats.
65.0	3.0	4.0	3.0	25.0	.....	do do
50.0	2.0	13.5	5.0	30.0	.....	Adulterated to the extent of 50 per cent. with salt and other fats.
67.0	5.0	8.0	7.0	13.0	.....	Contains other meat fats to the extent of 20 per cent.
82.0	.....	6.0	9.0	.....	3.0	Genuine salt butter.
67.0	.....	9.0	12.0	.....	12.0	Contains excess of curds and colored with annato, but not adulterated.
82.0	.....	5.0	5.0	.....	8.0	Genuine salt butter.
80.0	.....	5.0	10.0	.....	5.0	do do
73.0	.....	11.0	6.0	.....	10.0	Contains excess of curds and salt but not adulterated.
82.0	.....	5.0	10.0	.....	3.0	Genuine salt butter.
66.0	.....	12.0	10.0	.....	12.0	Contains a large excess of milk curd and salt. The butter is in bad order but not adulterated.
71.0	.....	12.0	8.0	.....	9.0	Contains excess of salt and of milk curd, but not adulterated.
76.0	5.0	9.0	10.0	.....	.....	Butter of fair quality.
55.0	.....	10.0	10.0	25.0	.....	Adulterated with other meat fats.
68.0	.....	14.0	8.0	.....	10.0	Contains an excess of salt and of curd but not adulterated.
78.0	.....	5.0	9.0	.....	8.0	Genuine salt butter of fair quality.
75.0	.....	13.0	7.0	.....	5.0	Genuine butter with excess of salt.
84.0	.....	6.0	6.0	.....	4.0	Genuine butter of fair quality.
86.0	.....	6.0	6.0	.....	2.0	Genuine salt butter of good quality.
73.0	10.0	12.0	5.0	.....	.....	Genuine, but containing salt and curds in excess.
84.0	.....	6.0	5.0	.....	5.0	Genuine salt butter of good quality.
70.0	.....	12.0	7.0	.....	11.0	Contains excess of salt and curd, and in bad order, though not adulterated.
76.0	.....	5.0	11.0	.....	8.0	Genuine butter of poor quality.
69.0	.....	10.0	9.0	.....	12.0	Genuine butter with excess of curd and of poor quality.
60.0	20.0	5.0	15.0	.....	.....	Largely charged with caseine & of doubtful purity
70.0	.....	7.0	8.0	.....	15.0	Contains excess of caseine; adulteration doubtful.
74.5	.....	10.5	10.0	.....	5.0	Genuine salt butter.
67.8	15.0	8.5	8.7	.....	.....	Contains excess of caseine and of low quality, but not adulterated.
78.0	4.0	9.0	9.0	.....	.....	Genuine butter.
79.0	.....	9.0	7.0	.....	5.0	do
85.0	.....	5.5	6.5	.....	3.0	Genuine butter of good quality.
86.0	3.3	5.0	5.7	.....	.....	do do
69.5	12.5	12.0	6.0	.....	.....	Contains excess of curd and salt but not adulterated.
79.3	2.7	8.0	10.0	.....	.....	Genuine butter of good quality.
88.30	.....	1.0	6.60	.....	4.10	Not adulterated.
90.00	.....	13.3	6.00	.....	2.67	do
75.00	.....	3.0	16.33	.....	5.67	Too large quantity of water and curd; badly prepared.

## APPENDIX D.—INSPECTION OF FOOD.—

BUTTER.—

Date.	Name of Analyst.	Division.	No. of Analyst's Report.	Vendor.
1878.				
Aug. 17	F. A. H. LaRue	Quebec	1,180	P. Paquet
do 17	do	do	1,181	Finlay Market
do 17	do	do	1,182	Upper Town Market
do 17	do	do	1,183	Jacques Cartier Market
do 17	do	do	1,184	D. Marcens
do 17	do	do	1,185	Finlay Market
Sept. 23	do	do	1,186	F. Bronard
do 23	do	do	1,187	Et. Paradis
do 23	do	do	1,188	E. Boily
do 23	do	do	1,189	P. Butler
do 24	do	do	1,190	J. B. Martel
do 24	do	do	1,191	H. Paré
do 24	do	do	1,192	W. Grenier
do 24	do	do	1,193	W. Coleman
do 24	do	do	1,194	P. H. Pagent
June 30	R. G. Fraser	Halifax	1,247	J. W. Campbell
do 30	do	do	1,246	James Duggan & Son
do 30	do	do	1,248	do
do 30	do	do	1,249	do
do 30	do	do	1,250	Charles Graham
do 30	do	do	1,251	John Tobin & Co
do 30	do	do	1,252	J. Creelman
do 30	do	do	1,253	A. & W. Naufts
do 30	do	do	1,254	W. D. Pearman & Co
do 30	do	do	1,255	Geo. Bauer
do 30	do	do	1,256	do
do 30	do	do	1,257	R. D. Clarke
do 30	do	do	1,258	James Duggan & Son
do 30	do	do	1,259	James Scott
do 30	do	do	1,260	Ramsay & Johnston
do 30	do	do	1,261	A. & W. Smith
do 30	do	do	1,262	Edmond Donahue
do 30	do	do	1,263	Jenkins & Co

## Tabulated Statement, &amp;c.—Continued.

Continued.

Results of Analysis						Remarks by the Analyst.
Butter Fat.	Caseine.	Salts.	Water.	Other Fats.	Curds.	
p. cent.	p. cent.	p. cent.	p. cent.	p. cent.	p. cent.	
87.30	.....	1.66	6.60	.....	4.44	Not adulterated.
83.30	.....	1.00	1.00	.....	5.70	Not adulterated, but badly prepared.
83.30	.....	2.30	9.66	.....	4.74	Not adulterated.
88.00	.....	2.30	7.00	.....	2.70	Excellent.
83.30	.....	2.30	6.30	.....	8.10	Large amount of curd badly prepared.
83.30	.....	2.30	11.30	.....	3.10	Not adulterated.
91.00	.....	1.34	6.00	.....	1.66	do
88.33	.....	1.66	5.66	.....	4.35	do
78.66	.....	4.33	15.00	.....	2.01	Badly prepared. Too much water.
85.00	.....	2.00	11.66	.....	1.34	do do
83.33	.....	2.66	9.00	.....	5.01	Good.
85.33	.....	3.66	9.00	.....	2.01	do
80.66	.....	4.50	11.00	.....	3.84	Too much water.
86.66	.....	1.66	8.33	.....	3.35	Good.
84.66	.....	4.00	6.00	.....	5.34	do
87.00	2.0	5.60	5.00	.....	.....	No adulteration.
89.00	2.0	5.00	4.00	.....	.....	do
88.00	2.5	5.00	4.00	.....	.....	do
87.00	1.5	5.00	6.50	.....	.....	do
84.00	2.0	8.00	6.00	.....	.....	do
93.00	1.0	2.00	2.00	.....	.....	do
90.00	1.0	4.00	5.00	.....	.....	do
89.50	1.5	4.00	5.00	.....	.....	do
85.00	1.5	7.00	6.00	.....	.....	do
88.00	2.0	4.00	6.00	.....	.....	do
86.00	1.0	6.00	7.00	.....	.....	do
90.50	1.5	4.00	4.00	.....	.....	do
87.50	1.5	6.00	5.00	.....	.....	do
94.00	1.0	2.00	3.00	.....	.....	do
92.00	1.0	3.00	4.00	.....	.....	do
92.00	1.0	4.00	3.00	.....	.....	do
88.00	2.0	6.00	4.00	.....	.....	do
92.50	1.5	3.00	3.00	.....	.....	do

APPENDIX D.—INSPECTION OF FOOD.

TABULATED Statement of the Results of Analysis of Food, for the Fiscal Year ending 30th June, 1878.

CANNED FRUIT.

Date.	Name of Analyst.	Division.	No. of Analyst's Report.	Vendor.	Results of Analysis, and Remarks by Analyst.
1878.					
Aug. 29...	J. B. Edwards.....	Montreal .....	1417	J. Hudson & Co.....	Peaches, contains unripe fruit, the acids of which have acted on the iron of the tin ; valueless as desert fruit, and only fit for tart.
do 29...	do .....	do .....	1418	do .....	Pine-apple, coarse and unripe fruit, containing nothing specially injurious to health.
do 30...	do .....	do .....	1419	D. Hutton & Co.....	Peaches, containing good ripe fruit, free from metallic impurity.
do 30...	do .....	do .....	1420	do .....	Pine-apple, the fruit hard and stringy, no metallic impurity.
do 30...	do .....	do .....	1421	D. G. Brousseau.....	Tomatoes, ripe fruit, and containing no metallic impurity.
do 30...	do .....	do .....	1422	W. H. Richardson.....	Tomatoes, good and ripe fruit, with no metallic impurity.
do 30...	do .....	do .....	1423	Baird & Co.....	Apricots, contains poor fruit, containing traces of iron, lead and tin.
do 30...	do .....	do .....	1424	Thos. Crathern.....	Apricots, contains good and ripe fruit, with no metallic impurity.
April 30...	F. A. H. LaRue.....	Quebec.....	745	Adam Waters.....	Tomato soup, excellent.
do 30...	do .....	do .....	780	Charles Cyprien.....	Blueberries, badly prepared ; no injurious substances.
do 30...	do .....	do .....	781	do .....	Pine-apple, excellent.
do 30...	do .....	do .....	782	do .....	Pears, bad, not mature enough.
do 30...	do .....	do .....	783	do .....	Peaches, excellent.
do 30...	do .....	do .....	784	do .....	Strawberries, pretty good.
do 30...	do .....	do .....	785	do .....	Raspberries, bad.
do 30...	do .....	do .....	786	do .....	Gooseberries, badly preserved.
do 30...	do .....	do .....	1147	do .....	Portugal apricots, excellent.
do 26...	do .....	do .....	1148	do .....	Raspberries, middling.
do 26...	do .....	do .....	1149	do .....	Strawberries, pretty good.
do 26...	do .....	do .....	1150	do .....	Whortleberries, middling.
do 26...	do .....	do .....	1151	do .....	Dumsons, middling.
do 26...	do .....	do .....	1240	Mrs. Austin.....	Strawberry and sugar, no adulteration.
June 30...	R. G. Fraser.....	Halifax.....	1211	Moir & Co.....	do .....
do 30...	do .....	do .....	1242	James W. Betcher.....	Fruit, juice and sugar .....

CASSIA.

June 21...	R. G. Fraser.....	Halifax.....	997	James Scott.....	No adulteration. } <i>Memo</i> —Cassia in this market is sold by the
do 21...	do .....	do .....	998	Brown & Webb.....	do name of cinnamon, but at price of cassia.
do 21...	do .....	do .....	999	John P. Mott.....	Mixture of 50 per cent. ground cassia and 50 per cent. cornmeal.
do 21...	do .....	do .....	1000	Lordly & Stimpson.....	Mixture of 90 per cent. ground cassia and 10 per cent. cornmeal.

CLOVES.

July 1...	W. H. Ellis.....	Toronto.....	1506	C. Beaty.....	Mixed with flour.
do 1...	do .....	do .....	1508	James Lumsden.....	Largely adulterated with flour.
do 1...	do .....	do .....	1511	John Jeffs.....	do do
do 1...	do .....	do .....	1515	J. J. Funston.....	do do
Aug. 27...	J. B. Edwards.....	Montreal.....	1413	P. Grace.....	Adulterated to the extent of 20 per cent. with roasted cereal grain and pea meal.
do 27...	do .....	do .....	1414	Jas. Mullen.....	Adulterated to the extent of 20 per cent. with roasted pea meal and cereal grain.
do 27...	do .....	do .....	1415	Bryaoutte & Frères.....	Adulterated to the extent of 10 to 15 per cent. with clove bark and cereal refuse.
do 27...	do .....	do .....	1416	Ed. Elliott.....	Adulterated to the extent of 20 per cent. with pea meal and other cereal sweepings.
June 24...	F. A. H. LaRue.....	Quebec.....	1136	E. Paradis.....	Three-quarters cloves, one quarter farina.
do 24...	do .....	do .....	1137	J. B. Martel.....	Pure.
do 24...	do .....	do .....	1138	A. Paré.....	do do
do 24...	do .....	do .....	1139	M. McMillan.....	do do
do 24...	do .....	do .....	1140	O. Vaucelle.....	Pure.
do 24...	do .....	do .....	1141	F. X. Gingras.....	Three-quarters cloves, one quarter farina.
do 24...	do .....	do .....	1201	Lordly & Stimpson.....	Adulterated with 35 per cent. toasted peas.
do 30...	R. G. Fraser.....	Halifax.....	1201	Lordly & Stimpson.....	Adulterated with 30 per cent. cornmeal.
do 30...	do .....	do .....	1202	James Scott.....	No adulteration
do 30...	do .....	do .....	1203	Brown & Webb.....	Mixture of 50 per cent. ground cloves, 25 per cent. stalks of cloves, and 25 per cent. ground allspice.
do 30...	do .....	do .....	1204	John P. Mott.....	do do

CINNAMON.

July 3...	W. H. Ellis.....	Toronto.....	1504	Charles Beaty.....	Adulterated with flour.
do ...	do .....	do .....	1507	James Lumsden.....	Largely adulterated with flour.
do ...	do .....	do .....	1510	John Jeffs.....	Adulterated with cassia and flour.
do ...	do .....	do .....	1514	J. J. Funston.....	do do
do ...	do .....	do .....	1517	P. Mulqueen.....	do do
do ...	do .....	do .....	1409	N. Darnais & Frères.....	Genuine ground cassia, sold as cinnamon.
August 27...	J. B. Edwards.....	Montreal.....	1410	P. Grace.....	do do
do ...	do .....	do .....	1411	J. Hutchison.....	do do
do ...	do .....	do .....	1412	James Mullen.....	Ground cassia, adulterated with about 10 per cent. pea meal.

APPENDIX D.—ADULTERATION OF FOOD.—Tabulated Statement, &c.—Continued.

CHOCOLATE.

Date,	Name of Analyst.	Division.	No. of Analyst's Report.	Vendor.	Results of Analysis.							Remarks by the Analyst.				
					Cocoa.	Sugar.	Flour.	Corn Starch.	Arrow-root.	Cocoa Fat	Starchy Matter.		Ash.	Cocoa.	Water or Moisture.	
1877.																
Sept. 28...	W. A. Ellis...	Toronto.....	648	Edward Lawson.....	50.0	15.0	35.0	.....	.....	.....	.....	.....	.....	.....	.....	Contains cocoa about 20 per cent sugar and a little arrowroot.
do 28...	do	do	651	H. Hargreaves.....	48.0	42.0	.....	10.0	.....	.....	.....	.....	.....	.....		
do 28...	do	do	652	Fulton & Michie.....	39.0	63.0	.....	.....	.....	.....	.....	.....	.....	.....		
do 28...	do	do	654	do	42.0	35.0	.....	.....	.....	.....	.....	.....	.....	.....		
do 28...	do	do	658	Edward Lawson.....	.....	.....	.....	.....	.....	.....	.....	.....	.....	.....	.....	
Aug. 30...	J. B. Edwards...	Montreal.....	486	E. Lusher.....	14.0	61.7	2.3	16.0	.....	.....	.....	.....	.....	.....	.....	Cadbury's superior Mexican, good quality, fine flavour. 6.0. Rowntree's, good quality, fine flavour. 6.0. Taylor's soluble, inferior quality, chiefly glucose. 7.0. Menier's best, good quality and flavour. 4.0. Menier's poudre, good quality and flavour. 6.0. Menier's 2nd quality. 6.0. Fry's diamond, good quality and flavour. 8.0. Fry's soluble, inferior quality, chiefly glucose.
do 30...	do	do	487	E. J. Kempt.....	24.0	52.0	2.0	16.0	.....	.....	.....	.....	.....	.....		
do 30...	do	do	488	D. Crawford.....	20.0	68.0	2.0	10.0	.....	.....	.....	.....	.....	.....		
do 30...	do	do	489	do	16.0	54.0	3.0	20.0	.....	.....	.....	.....	.....	.....		
do 30...	do	do	490	do	14.0	64.0	2.0	16.0	.....	.....	.....	.....	.....	.....		
do 30...	do	do	491	do	16.0	62.0	2.0	14.0	.....	.....	.....	.....	.....	.....		
do 30...	do	do	492	D. Rousso.....	14.0	62.0	2.0	16.0	.....	.....	.....	.....	.....	.....		
do 30...	do	do	493	Gravel Frères.....	24.0	52.0	2.0	14.0	.....	.....	.....	.....	.....	.....		
1878.																
July 23...	do	do	1316	Gravel Frères.....	.....	.....	2.0	.....	.....	.....	.....	.....	.....	.....	.....	
do 23...	do	do	1317	Wm. Dodd.....	.....	.....	1.0	.....	.....	.....	.....	.....	.....	.....	.....	
do 23...	do	do	1318	Martin Neher.....	.....	.....	2.25	.....	.....	.....	.....	.....	.....	.....	.....	
do 23...	do	do	1319	do	.....	.....	.....	.....	.....	.....	.....	.....	.....	.....	.....	
do 23...	do	do	1320	Octave Lever.....	.....	.....	1.0	.....	.....	.....	.....	.....	.....	.....	.....	
do 23...	do	do	1321	Martin Neher.....	.....	.....	1.0	.....	.....	.....	.....	.....	.....	.....	.....	
do 23...	do	do	1322	Dufresne & Mongenais.....	.....	.....	3.0	.....	.....	.....	.....	.....	.....	.....	.....	
do 23...	do	do	1323	do	.....	.....	2.0	.....	.....	.....	.....	.....	.....	.....	.....	
do 23...	do	do	1324	do	.....	.....	2.25	.....	.....	.....	.....	.....	.....	.....	.....	



Date.	Name of Analyst.	Division.	No. of Analyst's Report.	Vendor.	Result of Analysis, and remarks by the Analyst.
do 23...	do ... do	1325	Wm. Johnson	0-75	Rowntree's—Unadulterated, free from any unwholesome ingredient, contains a large proportion of sugar.
do 23...	do ... do	1326	Martin Neher	1-0	Rowntree's—Unadulterated and free from any unwholesome ingredient.
do 23...	do ... do	1327	A. B. Fraser		Taylor's—Unadulterated & free from any unwholesome ingredient, contains a large proportion of glucose.
1877.					
Sept. 7...	F. A. H. LaRue	Quebec	709	A. Dion	Taylor's—A mixture of cocoa, sugar and about 20 per cent. of oatmeal; absence of all mineral substances; not adulterated.
do 7...	do	do	710	A. Toussaint	Taylor's—A mixture of cocoa, sugar and 50 per cent. of wheat flour; absence of all foreign mineral substances; not adulterated.
do 7...	do	do	711	A. Waters	Fry's—A mixture of cocoa, sugar and about 25 per cent. of bean flour; absence of all foreign mineral matter; not adulterated.
do 7...	do	do	712	Edward Poston	Cadbury's—A mixture of cocoa, sugar and about 25 per cent. of oatmeal; no foreign mineral ingredients; not adulterated.
do 7...	do	do	713	C. E. Hossack	Cadbury's—A mixture of cocoa, sugar and about 50 per cent. of wheat flour; no foreign mineral ingredients; not adulterated.
1878.					
June 17...	do	do	1104	G. Hall	Thomas'—A mixture of cocoa and farina; no foreign mineral substances; not adulterated.
do 17...	do	do	1105	A. Waters	Fry's (Homeopathic)—A mixture of cocoa and farina; no foreign mineral substances; not adulterated.
do 17...	do	do	1107	J. B. Dubeau	Rowntree's—Pure cocoa; no farina nor foreign mineral substances; not adulterated.
do 17...	do	do	1108	G. Hossack	Fry's—A mixture of cocoa and farina; no foreign mineral substances; not adulterated.
do 17...	do	do	1109	J. E. Dubeau	Menier's cocoa without farina; no foreign mineral substances; not adulterated.
do 25...	do	do	1143	G. Hossack	Fry's cocoa and farina; no foreign mineral substances; not adulterated.

APPENDIX D.—INSPECTION OF FOOD.—Tabulated Statement, &c.—Continued.  
CHOCOLATE.—Continued.

Date.	Name of Analyst.	Division.	No. of Analyst's Report.	Vendor.	Result of Analysis.					Remarks by the Analyst.
					Moisture.	Soluble in cold water.	Fat.	Insoluble.	Ash.	
1877.										
Oct. 1...	R. G. Fraser.....	Halifax.....	578	Robert Urquhart.....	4.7	57.5	21.0	27.8	1.00	Fry's contains 47 per cent. sugar, sugar being the only moisture.
do 1...	do .....	do .....	579	John P. Mott.....	10.9	6.3	24.4	58.4	2.00	Mott's.—The only moisture is a small portion of flour.
do 1...	do .....	do .....	580	do .....	6.3	27.0	28.5	38.2	1.60	do Contains 20 per cent. sugar and 10 per cent. arrowroot (Broma)
do 1...	do .....	do .....	583	W. B. Spencer.....	6.7	11.5	28.6	53.2	2.40	do Contains a small portion of flour.
do 1...	do .....	do .....	586	Charles Ronne.....	6.0	59.3	9.0	25.3	1.8	do Contains 53 per cent. of sugar and 9 per cent. of fat; no flour.
do 1...	do .....	do .....	589	W. Thomas.....	5.0	8.0	17.1	62.9	2.3	do Contains 50 per cent. cocoa and 50 per cent. farina.

Date.	Name of Analyst.	Division.	No. of Analyst's Report.	Vendor.	Result of Analysis.					Remarks by the Analyst.	
					Moisture.	Cocoa fat.	Sugar.	Cocoa.	Farina.		Starch.
1878.											
June 30	R. G. Fraser.....	Halifax.....	1227	Lordly & Stimpson.....	6.0	13.5	59.0	17.0	.....	5.0	Dutchess.
do 30...	do .....	do .....	1228	W. M. Harrington.....	4.7	21.0	47.0	20.0	6.0	.....	Fry's
do 30...	do .....	do .....	1229	Peaks & Eaton.....	6.0	24.0	35.0	25.0	8.0	.....	Cadbury's.
do 30...	do .....	do .....	1230	Moir & Co.....	8.0	27.0	36.0	24.0	5.0	.....	Mott's.
do 30...	do .....	do .....	1232	John P. Mott.....	5.0	34.2	5.0	51.0	5.0	.....	Mott's.

APPENDIX D.—INSPECTION OF FOOD.—Tabulated Statement, &c.—Continued.

COCOA.

Date.	Name of Analyst.	Division.	No. of Analyst's Report.	Vendor.	Results of Analysis.				Remarks by Analyst.
					Cocoa.	Sugar.	Arrow-root.	Corn Starch.	
1877.									
Sept. 28.	W. H. Ellis.	Toronto.	645	John Jeffs.	55.0	20.0	25.0	.....	Epps' cocoa.
do 28.	do	do	646	John Forster.	40.0	20.0	.....	.....	Caracas.
do 28.	do	do	647	John Jeffs.	60.0	.....	.....	.....	Jeffrey's—40 per cent. of sugar and corn starch.
do 28.	do	do	649	John Forster.	.....	.....	.....	.....	Taylor's—58 per cent. of cocoa, from which about 22 per cent. of fat has been abstracted, and 42 per cent. of sugar.
do 28.	do	do	650	Toronto Tea Co.	70.0	30.0	.....	.....	Taylor's
do 28.	do	do	653	Fulton & Michie.	45.0	31.0	24.0	.....	Cadbury's consists entirely of cocoa, from which two-thirds of the fat has been removed.
do 28.	do	do	655	do	.....	.....	.....	.....	Rowntree's Rock.
do 28.	do	do	656	do	70.0	30.0	.....	.....	Epps' contains cocoa, sugar and arrowroot.
do 28.	do	do	657	Swan Bros.	.....	.....	.....	.....	do
do 28.	do	do	659	Fulton & Michie.	.....	.....	.....	.....	do

Date.	Name of Analyst.	Division.	No. of Analyst's Report.	Vendor.	Results of Analysis.					Remarks by Analyst.
					Cocoa Butter.	Cocoa Nibs.	Starch and Sugar.	Starch.	Essence.	
1877.										
Aug. 31.	J. B. Edwards.	Montreal.	494	McGibbon & Baird.	26.0	52.0	21.0	1.0	.....	These prepared Cocos are all largely diluted with starch and sugar. Those called Essence of Cocoa, Nos. 1 & 4, are the best, and are sold at a higher price than the Rock Cocos, which are of equal quality and free from starch.
do 31.	do	do	495	do	24.0	42.0	33.0	1.0	.....	
do 31.	do	do	496	do	.....	33.0	45.0	5.0	.....	
do 31.	do	do	497	do	.....	32.0	22.0	1.0	.....	
do 31.	do	do	498	do	.....	36.0	21.0	1.0	.....	
do 31.	do	do	499	Dufresne & Mongenais.	35.0	43.0	22.0	0.8	.....	
do 31.	do	do	801	D. Crawford	35.0	46.0	29.2	0.8	.....	
do 31.	do	do	802	W. Johnstone.	23.0	32.0	39.4	0.6	.....	

APPENDIX D.—INSPECTION OF FOOD.—Tabulated Statement, &c.—Continued.

COCOA.—Continued.

Date.	Name of Analyst.	Division.	No. of Analyst's Report.	Vendor.	Results of Analysis and Remarks by the Analyst.
1878.					
June 29...	J. B. Edwards .....	Montreal .....	1304	A. J. Labrecque .....	Rowntree's Rock Cocoa—78 per cent of cocoa, 22 per cent of sugar. The 78 per cent of cocoa is equal to 1.25 per cent of Theobromine.
do ...	do .....	do .....	1305	do .....	Rowntree's Pearl Cocoa—50 per cent of cocoa, 50 per cent of sugar. The 50 per cent of cocoa is equal to 0.8 p. cent of Theobromine.
do ...	do .....	do .....	1306	Wm. Johnstone .....	Rowntree's Homeopathic Cocoa—60 per cent of cocoa, 40 per cent of farina, &c. The 60 per cent of cocoa is equal to 0.9 per cent of Theobromine.
do ...	do .....	do .....	1307	Gravel Frères .....	Fry's Caracas—50 per cent of cocoa, 35 per cent of starch and sugar. The 50 per cent of cocoa is equal to 0.9 per cent of Theobromine.
do ...	do .....	do .....	1308	Martin Neher .....	Fry's Extract—70 per cent of cocoa, 30 per cent of saccharine and starchy matter. The 70 per cent of cocoa is equal to 1.1 per cent of Theobromine.
do ...	do .....	do .....	1309	do .....	Fry's Cocoa Paste—50 per cent of cocoa, 50 per cent of moisture, sugar, starch, &c. The 50 per cent of cocoa is equal to 0.8 per cent of Theobromine.
July 8...	do .....	do .....	1310	do .....	Fry's Broma—60 per cent of cocoa, 40 per cent of saccharine matter. The 60 per cent of cocoa is equal to 1.0 per cent of Theobromine.
do ...	do .....	do .....	1311	John Robertson .....	Fry's Homeopathic Cocoa—58 per cent of cocoa, 42 per cent of farinaceous matter. The 58 per cent of cocoa is equal to 0.9 per cent of Theobromine.
do ...	do .....	do .....	1312	D. Crawford .....	Cadbury's Essence—88 per cent of cocoa, 12 per cent of farinaceous matter. The 88 per cent of cocoa is equal to 2 per cent of Theobromine. This is a very fine cocoa extract and probably as nearly pure as can be prepared in this form.
do ...	do .....	do .....	1313	McGibbon & Baird .....	Menier's Essence—87 per cent of cocoa, 13 per cent of mineral and farinaceous matter. The 87 per cent of cocoa is equal to 2 per cent of Theobromine. This is nearly pure and equal in active principle to pure cocoa.

do	do	do	do	1314	Octave Lavere	Jeffry's Homoeopathic—56 per cent of cocoa, 50 per cent of farinaceous matter. The 50 per cent of cocoa is equal to 0.8 per cent of Theobromine.
do	do	do	do	1315	Jas. D. Adams	Epp's Prepared Cocoa—66 per cent of cocoa, 34 per cent of farinaceous matter. The 66 per cent of cocoa is equal to 1.1 per cent of Theobromine.
1877,	Sept. 7...	F. A. H. LaRue	Quebec	704	C. E. Rossack	Taylor's Soluable Cocoa—Adulterated with about 50 per cent of bean flour. No extraneous mineral matter.
do	do	do	do	705	Adam Waters	Epp's Prepared Cocoa—Adulterated with about 50 per cent of wheat flour. No extraneous mineral matter.
do	do	do	do	706	A. Toussaint	Fry's Homoeopathic Cocoa—Adulterated with about 50 per cent of wheat flour. No extraneous mineral matter.
do	do	do	do	707	A. Dion	Fry's Caracas—Adulterated with about 50 per cent of wheat flour. No extraneous mineral matter.
do	do	do	do	708	Ed, Poston	Marsella Cocoa—Adulterated with about 50 per cent of wheat flour. No extraneous mineral matter.
1878,	June 17...	do	do	1106	A. Toussaint	Cadbury's Cocoa Essence—Pure cocoa; no farina or foreign mineral substances; not adulterated.
do	do	do	do	1110	J. B. Dubeau	Rowntree & Co's Homoeopathic Cocoa—Mixture of cocoa and farina, no foreign mineral substances; not adulterated.
do	do	do	do	1111	A. Toussaint	Epp's Prepared Cocoa—Cocoa and arrowroot; no foreign mineral substance.
do 23...	do	do	do	1142	A. Dion	Fry's Caracas—Cocoa and farina; no foreign mineral substance.
do	do	do	do	1144	A. Toussaint	Van Houten's Cocoa—Pure Cocoa; no farina nor foreign mineral substance; not adulterated.
do	do	do	do	1145	J. B. Dubeau	do do do do do

APPENDIX D.—INSPECTION OF FOOD.—Tabulated Statement, &c.—Continued.

COCOA.—Continued.

Date.	Name of Analyst.	Division.	No. of Analysts Report.	Vendor.	Results of Analysis.				Remarks by the Analyst.	
					Moisture.	Cocoa Fat.	Sugar.	Cocoa.		Parina.
1877.										
Oct. 1 .....	R. G. Fraser.....	Halifax.....	582	Todd, Hunter, Black & Co.....	4.0	18.4	21.0	.....	Carracas' Cocoa—Soluble in cold water, 27 per cent.; insoluble, 41.1 per cent.; soluble in water, 0.5 per cent.; ash 1.7 per cent.	
do .....	do .....	do .....	588	Forsyth & Co.....	5.0	15.4	23.0	.....	Epps' Prepared Cocoa—Soluble in cold water, 29.1 per cent.; insoluble, 64.5 per cent.; ash, 1.5 per cent.; soluble, 0.5 per cent.; contains 10 per cent. of arrowroot.	
1878.										
June 30 ...	do .....	do .....	1231	M. J. O'Brien.....	5.0	42.0	.....	53.0	Pure cocoa nib.	
do .....	do .....	do .....	1233	James Scott .....	5.8	21.0	10.0	58.0	5.0	Cadbury's cocoa.
do .....	do .....	do .....	1234	How & Co .....	5.0	27.0	15.0	47.4	5.0	do
do .....	do .....	do .....	1235	Lordly & Stimpson .....	5.0	21.0	24.0	45.0	5.0	Epps' prepared cocoa.
do .....	do .....	do .....	1236	John P. Mott.....	7.0	27.0	.....	50.0	12.0	do do
do .....	do .....	do .....	1237	do .....	6.0	18.0	22.0	44.0	9.0	Mott's—Broma.

APPENDIX D.—INSPECTION OF FOOD.—Tabulated Statement, &c.—Continued.  
GOOD LIVER OIL.

Date.	Name of Analyst.	Division.	No. of Analyst's Report.	Vendor.	Result of Analysis, and remarks by the Analyst.
1877.					
Oct. 1.....	J. B. Edwards .....	Montreal .....	816	Devins & Bolton.....	Genuine and of first quality.
do .....	do .....	do .....	817	J. D. Ambrose.....	Genuine and of good quality.
do .....	do .....	do .....	818	Picault & Co.....	Genuine, but of inferior quality.
do .....	do .....	do .....	819	Kenneth, Campbell & Co.....	Genuine and of first quality.
do .....	do .....	do .....	820	L. J. P. Desrosiers.....	Genuine, but of inferior quality.
Sept. 22 ...	F. A. H. L <sup>r</sup> Rue.....	Quebec.....	714	J. E. Burke.....	Perfectly pure, absence of all foreign oils or foreign ingredients, not adulterated.
do .....	do .....	do .....	715	—McLeod .....	do do do do
Oct. 22.....	R. G. Fraser .....	Halifax.....	584	Thos. Durney.....	Pure.
do .....	do .....	do .....	586	Forsyth & Co.....	do

COFFEE.

Date.	Name of Analyst.	Division.	No. of Analyst's Report.	Vendor.	Result of Analysis, and remarks by the Analyst.
1878.					
May 20.....	J. B. Edwards .....	Montreal.....	895	L. L. Maheu.....	Adulterated with chicory and roasted corn or peas to the extent of 30 or 40 per cent.
do .....	do .....	do .....	896	N. Robert .....	Adulterated with roasted peas and chicory, about 50 per cent.
do .....	do .....	do .....	897	Chas. Borbeau.....	Adulterated with chicory and roasted peas to the extent of 50 to 60 per cent.
do .....	do .....	do .....	898	D. Rousse.....	Adulterated with chicory and roasted peas to the extent of 30 per cent.
Aug 1.....	do .....	do .....	1356	J. O. Villeneuve .....	Adulterated with roasted peas and chicory about 40 per cent.; ash, 3.60.
do .....	do .....	do .....	1357	do .....	Adulterated to the extent of about 60 per cent. with roasted peas and chicory; ash, 3.66.
do .....	do .....	do .....	1358	do .....	Adulterated with roasted peas and chicory to the extent of 60 to 70 per cent.; ash, 4.20.
do 3.....	do .....	do .....	1359	Wm. Elliott .....	Contains about 30 per cent chicory.
do 4.....	do .....	do .....	1360	do .....	Genuine coffee; ash, 4.20.
do 4.....	do .....	do .....	1361	do .....	do do ash, 4.20.
do 5.....	do .....	do .....	1362	McGibbon & Baird.....	do do of mixed kinds.

APPENDIX D.—INSPECTION OF FOOD.—Tabulated Statement, &c.—Continued.

COFFEE.—Continued.

Date.	Name of Analyst.	Division.	No. of Analyst's Report.	Vendor.	Results of Analysis, and remarks by the Adalyst
1878.					
Aug. 5...	J. B. Edwards .....	Montreal.....	1363	Thomson & Buckley.....	Mixed coffee, grossly adulterated, with peas as well as chicory ; coffee under 25 per cent. ; ash, 3-4.
do .....	do .....	do .....	1364	do .....	Genuine coffee ; ash, 4-10.
do .....	do .....	do .....	1365	do .....	Adulterated with about 30 per cent. of roasted pea meal ; ash, 3-80.
do .....	do .....	do .....	1366	Crawford & Gordon.....	Contains chicory and roasted pea meal to the extent of 15 to 20 per cent. ; ash, 4-60.
do .....	do .....	do .....	1367	do .....	Contains chicory and pea meal to the extent of 10 to 15 per cent. ; ash, 4-20.
do .....	do .....	do .....	1368	E. Mathieu et Frère .....	Genuine coffee ; ash, 4-40.
do .....	do .....	do .....	1369	do .....	Adulterated with roasted wheat and peas 15 to 20 per cent. ; ash, 5-40.
do 7...	do .....	do .....	1370	John Hutchison.....	Adulterated with 25 to 30 per cent. roasted wheat and pea meal and 30 per cent. chicory ; ash, 5-20.
do .....	do .....	do .....	1371	P. Grace .....	Adulterated to the extent of 50 per cent. and upwards with chicory roasted peas and barley ; ash, 4 per cent.
do .....	do .....	do .....	1272	Auger & Collette.....	Adulterated with chicory and roasted peas and other starchy matter to the extent of 30 to 40 per cent. ; ash, 3-80.
do .....	do .....	do .....	1373	R. Dufresne.....	Genuine coffee ; ash, 4-30.
do .....	do .....	do .....	1374	J. Millen .....	Adulterated with about 60 per cent chicory and 20 per cent. roasted pea meal, and damaged wheat flour containing acari ; ash, 4-20.
do .....	do .....	do .....	1375	A. Faille.....	Adulterated with about 20 per cent. of roasted peas and 40 per cent. of chicory ; ash, 3-50.
May 29...	F. A. H. LaRue .....	Quebec.....	793	E. Boily .....	Pure.
do .....	do .....	do .....	794	E. Paradis .....	Adulterated with one-half wheat flour and chicory.
do .....	do .....	do .....	795	P. Huot .....	Adulterated with one-half wheat flour, the balance chicory and coffee.
do .....	do .....	do .....	796	J. Lemelin.....	Adulterated with chicory and wheat flour ; scarcely any coffee.
do .....	do .....	do .....	797	O. Pouliot.....	Pure ground coffee.
do .....	do .....	do .....	798	Etienne Paradis.....	Adulterated with one-quarter chicory, three-quarters coffee.
do .....	do .....	do .....	799	T. Butler.....	Adulterated with two-thirds chicory and wheat flour, one-third coffee.





APPENDIX D.—INSPECTION OF FOOD.—Tabulated Statement, &c.—Continued.  
EGG POWDER.

Date.	Name of Analyst.	Division.	No. of Analyst's Report.	Vendor.	Results of Analysis, and Remarks by the Analyst.
1877. Oct. 2...	J. B. Edwards.....	Montreal.....	826	Gravel Frères.....	Composed of flour, cream of tartar, tartaric acid and carbonate of soda and contains nothing injurious to health.
GINGER.					
1878. Aug. 26...	J. B. Edwards.....	Montreal..	1403	James Mullin.....	Adulterated to the extent of 15 to 20 per cent. with wheat flour buckwheat and mixed cereals.
do ..	do ..	do ..	1404	J. Hutchison ..	Adulterated to the extent of 20 to 25 per cent. with wheat and buckwheat flour and cereal sweepings.
do ..	do ..	do ..	1405	N. Daunais et Frères ..	Adulterated to the extent of 20 to 30 per cent. with wheat flour, buckwheat and cereal refuse.
do ..	do ..	do ..	1406	E. Elliott.....	do do do
do ..	do ..	do ..	1407	Bicaquette & Frères.....	Genuine ginger of fair quality.
do ..	do ..	do ..	1408	P. Graca ..	Genuine ginger of good quality.
do ..	do ..	do ..	1118	Etienne Paradis.....	Pure.
June 21...	F. A. H. LaRue.....	Quebec.....	1119	Biumhart & Riverin ..	Three-quarters ginger, one-quarter wheat flour.
do ..	do ..	do ..	1120	W. Coleman ..	do do
do ..	do ..	do ..	1121	M. McMillan.....	Pure.
do ..	do ..	do ..	1122	O. Vocelle.....	Adulterated; one-half ginger, one-half wheat flour.
do ..	do ..	do ..	1123	J. B. Dubeau.....	Pure.
do ..	do ..	do ..	1208	R. N. Beckwith ..	Adulterated with 50 per cent. of meal.
do 30...	R. G. Fraser.....	Halifax.....			
MALT LIQUOR.					
1877. July 31...	J. B. Edwards ..	Montreal ..	475	— Jacob ..	Consists of malt and hop beer, without adulteration, containing 6 per cent. of proof spirits, or equal to 3 per cent of alcohol.

do	do	do	do	476	J. Sissons.....	Genuine hop and malt beer, without adulteration, and contains 9 per cent. proof spirits, equal to 4½ per cent. absolute alcohol.
do	do	do	do	477	Livermore & Co. ....	Malt and hop beer, free from adulteration, containing 9 per cent. proof spirits, equal to 4½ per cent. absolute alcohol.
do	do	do	do	478	A. S. Clough .....	Slightly fermented ginger beer, sweetened with syrup and flavored with oil of wintergreen; it is charged with carbonic acid, and contains 5 per cent. of proof spirits, equal to 2½ per cent. of absolute alcohol, and a little cream of tartar.
do	do	do	do	479	R. Forsyth.....	Slightly fermented ginger beer, sweetened with syrup and flavored with oil of wintergreen; it is charged with carbonic acid, and contains 3 per cent. proof spirit, equal to 1½ per cent. absolute alcohol.

## APPENDIX D.—INSPECTION OF FOOD.—

MILK

Date.	Name of Analyst.	Division.	No. of Analyst's Report.	Vendor.
1877.				
Dec. 20.....	W. H. Ellis.....	Toronto .....	660	W. Pickard.....
do .....	do .....	do .....	661	George Lee.....
do .....	do .....	do .....	662	Thomas Bonner .....
do 21.....	do .....	do .....	663	G. Atkin.....
do .....	do .....	do .....	664	Jos. Lebule.....
do .....	do .....	do .....	665	Patrick Sheedy.....
do 31.....	do .....	do .....	669	John Ward.....
do .....	do .....	do .....	670	— Shaw .....
1878.				
Jan. 2 .....	do .....	do .....	671	Toronto Dairy Co.....
do .....	do .....	do .....	672	John Ward.....
do .....	do .....	do .....	673	John Mead.....
do .....	do .....	do .....	674	Owen Halligan .....
July 4.....	do .....	do .....	1519	Toronto Dairy Co.....
do .....	do .....	do .....	1520	F. N. Coady.....
do .....	do .....	do .....	1521	Thomas McCormack.....
do .....	do .....	do .....	1522	J. Gibb & Co.....
do .....	do .....	do .....	1523	Mrs. A. Rourke .....
do .....	do .....	do .....	1524	William Atkin.....
do .....	do .....	do .....	1525	D. McKnight.....
do .....	do .....	do .....	1526	Timothy Casick.....
do .....	do .....	do .....	1527	Alexander Dundas.....
do .....	do .....	do .....	1528	Messrs. Bonner.....
do .....	do .....	do .....	1529	Patrick Doyle.....
do .....	do .....	do .....	1530	Frank Kane.....
do .....	do .....	do .....	1531	William Kerup.....
do .....	do .....	do .....	1532	Philip Kelley.....

Tabulated Statement, &c.—Continued.

RESULTS OF ANALYSIS.							Butter Fat expressed in its equivalent as Cream.	Remarks by the Analyst.
Contained in 100 Parts.								
Butter Fat.	Caseine.	Sugars and Salts.	Ash.	Total.				
				Solids.	Water.			
p. cent.	p. cent.	p. cent.	p. cent.	p. cent.	p. cent.	p. cent.	p. cent.	
2.6	6.3	4.0	0.7	13.6	86.4	13.0	Genuine milk ; unchanged.	
3.3	3.9	4.5	0.6	12.3	87.7	16.5	Genuine ; cream high, compared with other solids.	
2.5	5.4	4.5	0.7	13.1	86.9	12.5	The cream is low, but I cannot say positively that it has been skimmed.	
2.4	5.6	4.2	0.7	12.9	87.1	12.0	Unchanged and deficient in cream.	
3.2	4.8	4.0	0.7	12.7	87.3	16.0	Unchanged and unsophisticated.	
1.8	3.2	3.8	0.6	9.4	90.6	9.0	Deficient in cream ; about 20 per cent. of water added.	
3.2	4.6	4.4	0.7	12.9	87.1	16.0	Unsophisticated.	
3.4	4.8	3.2	0.5	11.9	88.1	17.0	Watered ; no change has taken place which would interfere with analysis.	
3.2	4.3	4.0	0.7	12.2	87.8	16.0	Watered ; no change has taken place which would interfere with analysis.	
3.1	4.6	4.4	0.7	12.8	87.2	15.5	Unsophisticated ; no change has taken place which would interfere with analysis.	
3.2	5.3	3.5	0.7	12.5	97.5	16.0	Unsophisticated ; no change has taken place which would interfere with analysis.	
2.5	5.3	4.2	0.78	12.7	87.3	12.5	No change has taken place which would interfere with analysis.	
1.4	4.3	6.0	0.5	12.2	87.8	7.0	Skimmed, and had undergone no alteration likely to interfere with its analysis	
3.4	3.7	5.5	0.7	13.4	86.6	17.0	A good sample of milk, and had undergone no alteration likely to interfere with its analysis.	
2.4	4.1	4.7	.....	11.2	88.8	12.0	Watered, and had undergone no alteration likely to interfere with its analysis	
2.8	5.3	4.8	0.4	12.3	87.7	13.0	Pretty fair, and no alteration likely to interfere with analysis.	
2.6	3.6	4.9	0.6	11.1	88.9	10.0	Deficient in cream, but no change likely to interfere with analysis.	
2.3	4.5	4.9	0.5	11.5	88.5	11.5	Cream rather low, but no change to interfere with analysis.	
1.2	3.5	6.3	0.5	11.5	88.5	6.0	Skimmed, but no change likely to interfere with analysis.	
1.9	4.1	5.0	0.5	11.5	88.5	9.5	Skimmed, but no change likely to interfere with analysis.	
2.9	3.9	5.4	0.7	12.9	87.1	14.5	Pretty fair milk, but no change likely to interfere with analysis.	
1.8	2.0	5.3	0.4	9.5	90.5	9.0	Watered, but no change to effect analysis.	
2.8	2.4	5.7	0.7	11.6	88.4	14.0	Watered, but no change to effect analysis.	
3.6	2.8	5.1	0.4	11.9	88.1	18.0	Watered, but no change to interfere with analysis.	
2.4	2.9	5.9	0.6	11.8	88.2	14.0	Good.	
2.5	2.6	5.9	0.5	11.5	88.5	12.0	do	

APPENDIX D.—INSPECTION OF FOOD.—

MILK.—

Date.	Name of Analyst.	Division.	No. of Analyst's Report.	Vendor.
1877.				
Aug. 23.....	J. B. Edwards.....	Montreal .....	480	Patrick Rooney .....
do .....	do .....	do .....	481	Thomas Broome .....
do .....	do .....	do .....	482	John Monteith .....
do .....	do .....	do .....	483	W. H. Hewson .....
do .....	do .....	do .....	484	—— Casinault.....
do .....	do .....	do .....	485	Remi Crevier .....
do .....	do .....	do .....	803	Thos. Trenholme .....
do .....	do .....	do .....	804	N. Archambault.....
do .....	do .....	do .....	805	Y. L. Escorneau.....
do .....	do .....	do .....	806	Isaac Martel.....
do .....	do .....	do .....	807	A. Amyot .....
do .....	do .....	do .....	808	Ignace Dupuis .....
do .....	do .....	do .....	831	André Daniel.....
Dec. 31.....	do .....	do .....		
do .....	do .....	do .....	832	Honoré Roy.....
do .....	do .....	do .....	833	Edward Guy .....
do .....	do .....	do .....	834	Pierre Brunet.....
do .....	do .....	do .....	835	J. B. Pepin.....
do .....	do .....	do .....	836	W. Solomon .....
do 31.....	do .....	do .....	837	Jos. Petet .....
do 31.....	do .....	do .....	838	Isaac Martel .....
do 31.....	do .....	do .....	839	Patrick Downey.....
do 31.....	do .....	do .....	840	Ed. Edwards .....
do 31.....	do .....	do .....	841	Benjamin Deguise .....
do 31.....	do .....	do .....	842	Ignace Dupuis .....
do 31.....	do .....	do .....	843	Montreal Milk Co.....
do 31.....	do .....	do .....	844	Louis Crevier .....
do 31.....	do .....	do .....	845	W. Cinnamon.....
do 31.....	do .....	do .....	846	T. Carmody .....
do 31.....	do .....	do .....	847	W. Brown.....
do 31.....	do .....	do .....	848	R. Macdonald .....
do 31.....	do .....	do .....	849	G. Hunt .....
do 31.....	do .....	do .....	850	do .....
1878.				
April 12.....	do .....	do .....	861	M. O'Connel.....
do 12.....	do .....	do .....	862	B. McDonald.....
do 12.....	do .....	do .....	863	E. Edwards.....
do 12.....	do .....	do .....	864	E. Smith .....
do 12.....	do .....	do .....	865	G. Hill .....

## Tabulated Statement, &amp;c.—Continued.

Continued.

RESULTS OF ANALYSIS.							Butter Fat expressed in its equivalent as Cream.	Remarks by the Analyst.
Contained in 100 Parts.								
Butter Fat.	Caseine.	Sugars and Salts.	Ash.	Total.				
P. cent.	p. cent.	p. cent.	p. cent.	Solids.	Water.	p. cent.		
1.5	3.8	4.6	0.5	10.4	89.6	4.5	Adulterated, 15 to 20 per cent of water.	
2.0	3.9	5.4	0.6	11.9	88.1	6.0	Adulterated by removal of cream.	
3.5	4.2	5.6	0.7	14.0	86.0	10.5	Genuine milk of good quality.	
3.0	4.0	5.3	0.7	13.0	87.0	9.0	Genuine milk of fair quality.	
2.0	3.9	4.8	0.6	11.3	88.7	6.0	Adulterated by removal of cream.	
3.3	4.3	5.6	0.7	13.9	86.1	9.9	Genuine milk of good quality.	
5.0	3.8	4.1	0.7	13.6	86.4	15.0	Exceptionally good milk.	
2.0	3.2	4.1	0.6	9.9	90.1	6.0	Skimmed milk.	
2.5	3.9	4.5	0.7	11.6	89.4	7.5	Probably skimmed milk; doubtful.	
1.5	3.1	3.8	0.6	9.0	91.0	4.5	Watered milk, 15 to 20 per cent.	
2.0	3.8	4.7	0.7	11.2	88.8	6.0	Skimmed milk.	
3.0	3.8	4.2	0.7	11.7	88.3	9.0	Good average milk.	
2.5	4.5	5.6	0.9	13.5	86.5	7.75	Poor milk; probably partially skimmed; adulteration doubtful.	
2.45	4.25	5.5	0.8	13.0	87.0	7.50	do do do	
1.5	3.5	4.8	0.6	10.4	89.6	5.0	Adulterated by the removal of cream.	
1.15	3.0	4.05	0.5	8.7	91.3	4.5	Adulterated with 25 to 30 per cent of water.	
1.25	3.5	4.5	0.85	10.1	89.9	4.75	Adulterated by the removal of cream and addition of water.	
2.2	3.5	4.2	0.56	10.46	89.54	6.75	Adulterated by the addition of 10 to 15 per cent of water.	
2.75	3.50	3.80	0.55	10.60	89.40	8.15	Poor milk, adulteration doubtful.	
3.10	4.50	4.85	1.00	13.45	86.55	9.50	Genuine milk.	
2.15	3.00	4.80	0.80	10.75	89.25	6.00	Adulterated with 10 to 15 per cent. of water.	
2.60	3.80	4.50	0.90	11.80	88.20	8.00	Genuine, but poor milk.	
3.20	4.10	4.80	0.90	13.00	87.00	10.00	Good milk.	
3.30	4.20	4.90	0.90	13.30	86.7	10.2	do	
2.60	3.80	4.20	0.80	11.40	88.6	8.00	Poor milk, just within the limits.	
2.00	3.20	4.20	0.70	10.10	89.9	6.00	Adulterated by the addition of 10 to 15 per cent. of water.	
1.75	3.15	4.10	0.60	9.60	90.40	5.50	Adulterated by the addition of 10 to 15 per cent. of water.	
2.60	3.50	4.60	0.80	11.50	88.50	8.00	Poor milk, just within the limits.	
1.50	3.30	4.50	0.60	9.90	90.10	5.00	Adulterated with 20 to 25 per cent. of water.	
1.50	3.20	4.40	0.50	9.60	90.40	5.00	Adulterated with 25 to 30 per cent. of water.	
2.80	4.12	4.90	0.90	12.72	87.18	10.00	Good milk.	
3.50	4.50	5.00	0.90	13.90	86.10	10.60	do	
2.5	4.00	4.77	0.70	11.97	88.03	8.00	Deficient in cream, and probably skimmed.	
0.8	3.5	3.8	0.50	8.60	91.4	3.00	Adulterated, being both skimmed and watered.	
2.6	4.2	4.5	0.60	11.90	88.10	8.2	Deficient in cream, and probably skimmed.	
1.5	3.5	3.6	0.60	9.20	90.80	5.00	Adulterated, both by skimming and watering.	
2.5	4.00	4.1	0.70	11.30	88.7	8.00	Deficient in cream, and probably skimmed.	

APPENDIX D.—INSPECTION OF FOOD.—

MILK.—

Date.	Name of Analyst.	Division.	No. of Analyst's Report.	Vendor.
1878.				
April 12.....	J. B. Edwards .....	Montreal .. .....	866	T. Pendergart.....
do 28 .....	do .....	do .....	878	W. Cinnamon.....
do 28 .....	do .....	do .....	879	J. L. Hunt .....
do 28 .....	do .....	do .....	880	do .....
do 28 .....	do .....	do .....	881	W. Fraser .....
do 28.....	do .....	do .....	882	T. Larivière .....
do 28.....	do .....	do .....	883	Piché & Demers .....
June 7.....	do .....	do .....	1023	Joseph Brunette.....
do 7.....	do .....	do .....	1024	Thomas Flanagan.....
do 7.....	do .....	do .....	1025	James Fletcher .....
do 7.....	do .....	do .....	1026	Basile Brochu.....
do 11.....	do .....	do .....	1027	Charles Jones.....
do 11.....	do .....	do .....	1028	Joseph Lapiere.....
do 11.....	do .....	do .....	1037	J. B. Leonard.....
do 11.....	do .....	do .....	1038	Isidore Renaud.....
do 11.....	do .....	do .....	1039	Augusta Lemoyes.....
do 11.....	do .....	do .....	1040	J. B. Pepin.....
do 11.....	do .....	do .....	1041	Napoleon Reeve .....
do 11.....	do .....	do .....	1042	A. D. Reeve.....
do 13.....	do .....	do .....	1047	J. B. Turcot .....
do 13.....	do .....	do .....	1048	Thomas Gagnon.....
do 13.....	do .....	do .....	1049	D. Beauchamp.....
do 13.....	do .....	do .....	1050	Robert Cole .....
do 13.....	do .....	do .....	1051	Patrick McCaul.....
do 13.....	do .....	do .....	1052	Edmond Guy.....
do 13.....	do .....	do .....	1053	John Flanagan .....
June 15.....	do .....	do .....	1054	Joseph Groulx.....
do .....	do .....	do .....	1055	Patrick Curten.....
do .....	do .....	do .....	1056	John Hannah .....
do .....	do .....	do .....	1057	John Bremmer.....
do .....	do .....	do .....	1058	J. R. Muir.....
do 18.....	do .....	do .....	1065	Daniel Shea .....
do .....	do .....	do .....	1066	Montreal Milk Company.....
do .....	do .....	do .....	1067	B. Lefebvre.....
do .....	do .....	do .....	1068	W. McLaughlin.....
do .....	do .....	do .....	1069	Hugh O'Neil.....
do .....	do .....	do .....	1070	W. Dunkin.....
do 24.....	do .....	do .....	1077	O. Cardinal.....
do .....	do .....	do .....	1078	A. Lacoste .....
do .....	do .....	do .....	1079	J. G. Flynn.....
do .....	do .....	do .....	1080	Hugh Clary .....
do .....	do .....	do .....	1081	Isaac Hadley.....
do .....	do .....	do .....	1082	Remi Tanguay.....
do .....	do .....	do .....	1083	John Marcel.....
do .....	do .....	do .....	1084	S. Lyons.....



Tabular Statement, &c.—Continued.

Continued.

RESULTS OF ANALYSIS.							Butter Fat expressed in its equivalent as Cream.	Remarks by the Analyst.
Contained in 100 Parts.								
Butter Fat.	Caseine.	Sugars and Salts.	Ash.	Total.				
				Solids.	Water.			
p. cent.	p. cent.	p. cent.	p. cent.	p. cent.	p. cent.	p. cent.		
2.4	4.1	5.1	0.60	12.20	87.8	8.00	Deficient in cream, and probably skimmed.	
4.5	6.5	3.00	0.70	14.7	85.3	15.00	Genuine, and rich milk.	
3.3	5.5	4.0	0.50	13.3	86.7	10.00	Genuine milk.	
3.00	4.8	4.2	0.50	12.5	87.5	9.5	do	
1.00	4.00	4.00	0.40	9.4	91.6	3.3	Adulterated by removal of cream.	
1.2	5.6	4.5	0.60	13.00	87.00	9.5	do do	
3.00	4.9	4.5	0.60	13.00	87.00	9.5	Genuine milk.	
3.3	4.8	4.3	0.6	13.0	87.00	10.00	Genuine milk, of good quality.	
6.6	5.5	4.8	0.7	17.6	82.4	20.00	Very rich milk.	
1.3	2.3	3.8	0.6	8.00	92.00	33.3	Adulterated, being both skimmed and watered to extent of 25 per cent.	
0.8	2.2	3.6	0.5	7.1	92.9	1.00	Adulterated to the extent of 30 per cent. and upwards by the addition of water, and by removal of cream.	
0.4	4.5	4.8	0.8	14.1	85.9	12.00	Genuine milk, of good quality.	
4.5	4.6	4.4	0.8	14.3	85.7	13.00	do do	
3.00	4.00	4.5	0.6	17.5	87.9	9.3	Genuine milk.	
3.3	4.8	5.00	0.7	13.8	86.2	10.5	Genuine milk, of good quality.	
2.9	4.00	4.5	0.7	12.1	87.9	6.5	Genuine milk.	
1.25	41.00	4.25	0.5	10.1	89.90	4.00	Adulterated by the removal of cream.	
1.2	4.00	4.2	0.5	9.9	90.10	3.8	do do	
4.5	4.5	5.5	0.7	15.2	84.80	14.00	Rich milk.	
0.8	2.5	2.8	0.5	6.6	93.4	2.00	Adulterated, both by removal of cream and addition of water.	
2.5	3.1	4.2	0.6	10.4	89.6	6.3	Genuine milk.	
2.00	3.00	4.1	0.6	9.7	90.3	6.00	Poor milk, adulteration doubtful.	
3.5	3.8	4.5	0.7	12.5	87.5	11.00	Good milk.	
3.8	4.00	4.5	0.7	13.00	87.00	12.00	do	
4.00	4.1	4.4	0.8	13.3	86.7	14.00	Genuine and rich milk.	
3.5	3.8	4.00	0.8	12.1	87.9	10.00	Genuine and good milk.	
1.1	2.5	3.5	0.4	7.5	92.5	0.3	Adulterated both by addition of water and removal of cream.	
3.8	4.0	4.2	0.5	12.5	87.5	12.0	Genuine and good milk.	
2.0	3.0	4.5	0.5	10.0	90.0	5.0	Poor milk, adulteration doubtful.	
4.1	4.0	4.3	0.5	12.9	87.1	12.5	Good and genuine milk.	
3.2	3.8	4.2	0.5	11.7	88.3	10.0	do do	
3.3	3.5	4.0	0.5	11.3	88.7	10.0	Genuine milk.	
1.5	3.8	4.5	0.7	10.5	89.5	4.5	Adulterated by removal of about 50 per cent. of cream.	
1.2	3.2	3.3	0.5	8.2	91.8	4.0	Adulterated by removal of cream and addition of 20 per cent. of water.	
4.2	4.3	4.3	0.7	13.5	86.5	13.0	Genuine and rich milk.	
3.3	4.1	4.2	0.7	12.3	87.7	10.0	Genuine milk.	
3.0	3.8	3.3	0.6	10.7	89.3	9.5	do	
3.0	3.8	4.2	0.7	11.7	88.3	10.0	do	
1.5	3.5	4.3	0.7	10.0	90.0	5.0	Adulterated by the removal of cream.	
4.8	4.0	4.2	0.7	13.7	86.3	14.0	Good and rich milk.	
2.0	4.1	4.3	0.7	11.1	88.9	6.5	Poor milk, being deficient in cream.	
3.4	4.2	4.3	0.8	12.7	87.3	10.5	Good and genuine milk.	
3.0	3.1	3.7	0.6	10.4	89.6	9.0	Genuine milk.	
1.5	3.6	3.8	0.6	9.5	90.5	4.0	Adulterated by removal of cream.	
3.5	3.9	4.1	0.8	12.3	87.7	12.0	Genuine milk.	

APPENDIX D.—INSPECTION OF FOOD.—

MILK.—

Date.	Name of Analyst.	Division.	No. of Analyst's Report.	Vendor.
1877.				
Oct. 5.....	F. A. H. LaRue .....	Quebec.....	724	J. Sumerville.....
do .....	do .....	do .....	725	Mrs. J. Vezina.....
do .....	do .....	do .....	726	Julien Guay.....
do .....	do .....	do .....	727	Thomas Morrison.....
do .....	do .....	do .....	728	Jean Huot.....
do .....	do .....	do .....	729	Pierrz Germain.....
do .....	do .....	do .....	730	Joseph Royer.....
do .....	do .....	do .....	731	Joseph Dubois.....
1878.				
Sept. 25.....	do .....	do .....	1195	F. Rochette.....
do .....	do .....	do .....	1196	Ed. Boily.....
do .....	do .....	do .....	1197	F. Rochon.....
do .....	do .....	do .....	1198	R. Simard.....
do .....	do .....	do .....	1199	P. Lefebvre.....
do .....	do .....	do .....	1200	J. B. Rochette.....
do .....	do .....	do .....	1601	H. Samson.....
do .....	do .....	do .....	1602	Joseph Vezina.....
do .....	do .....	do .....	1603	H. Carrier.....
do .....	do .....	do .....	1604	H. Bergin.....
do .....	do .....	do .....	1605	E. Poirier.....
do .....	do .....	do .....	1606	Joseph Samson.....
do .....	do .....	do .....	1607	J. H. L'Heureux.....
do .....	do .....	do .....	1608	.....
do .....	do .....	do .....	1609	.....
do .....	do .....	do .....	1610	Ignace Lefrançois.....
do .....	do .....	do .....	1611	F. Paquet.....
do .....	do .....	do .....	1612	Ignace Lefrançois.....
do .....	do .....	do .....	1613	F. Proulx.....
do .....	do .....	do .....	1614	H. Gagné.....
do .....	do .....	do .....	1615	Jacques Dupont.....
do .....	do .....	do .....	1616	O. Blouin.....
do .....	do .....	do .....	1617	U. Rochet.....
do .....	do .....	do .....	1618	V. Rochon.....
do .....	do .....	do .....	1619	T. Cantin.....
1877.				
Oct. 1.....	R. G. Fraser.....	Halifax.....	591	John Etter.....
do .....	do .....	do .....	591	Mrs. Waugh.....
do .....	do .....	do .....	591	Mrs. Carey.....
do .....	do .....	do .....	591	Mrs. Ryan.....
do .....	do .....	do .....	592	Mrs. McDonald.....
do .....	do .....	do .....	592	Mrs. Collins.....
do .....	do .....	do .....	592	Mrs. Schuppe.....
do .....	do .....	do .....	592	do .....
do .....	do .....	do .....	592	— Davidson.....
do .....	do .....	do .....	592	James Gould.....
1878.				
April 30.....	do .....	do .....	940	D. Akenhead.....
do .....	do .....	do .....	941	Watson Eaton.....
do .....	do .....	do .....	942	Patrick Quinn.....
do .....	do .....	do .....	943	do .....
do .....	do .....	do .....	944	Charles W. Drysdale.....

Tabulated Statement, &c.—Continued

Continued.

RESULTS OF ANALYSIS.							Butter Fat expressed in its equivalent as Cream.	Remarks by the Analyst.
Contained in 100 Parts.								
Butter Fat.	Caseine.	Sugars and Salts.	Ash.	Total.				
				Solids.	Water.			
P. cent.	p. cent.	p. cent.	p. cent.	p. cent.	p. cent.	p. cent.		
4.60	4.0	4.4	0.6	13.6	86.4	9.0	Not adulterated.	
8.80	5.6	2.0	0.4	16.8	83.2	2.7	Very rich.	
2.4	7.8	3.2	0.4	13.8	86.2	4.0	Probably partially skimmed.	
2.4	6.2	2.8	0.6	12.0	88.0	10.0	do do	
4.4	5.4	3.6	0.4	13.8	86.2	16.0	Not adulterated.	
0.8	6.99	3.66	0.25	11.4	88.6	5.0	Skimmed.	
3.2	3.9	5.7	0.2	13.0	87.0	9.0	Just within the limits.	
2.2	3.7	5.4	0.3	11.6	88.4	11.0	Strictly within the limits.	
3.80	4.0	5.60	0.2	13.60	86.40	13.0	Not adulterated.	
3.6	3.25	7.00	0.4	14.25	85.75	15.0	do	
3.0	3.40	5.60	0.6	12.60	87.40	10.0	do	
2.4	3.60	6.00	0.6	12.60	87.40	8.5	Partially skimmed.	
3.2	4.40	4.20	0.6	12.40	87.60	9.0	Not adulterated.	
3.6	4.20	3.80	0.8	12.40	87.60	9.0	do	
0.6	3.60	6.60	0.4	11.20	88.80	3.0	Skimmed.	
3.60	4.40	5.40	0.6	14.00	86.00	11.0	Genuine.	
7.60	4.20	5.80	0.4	18.00	82.00	12.0	Very rich in fat.	
1.66	4.80	5.00	0.6	12.00	88.00	3.0	Skimmed.	
1.20	4.60	6.80	0.6	13.20	86.80	5.0	do	
2.40	6.80	4.40	0.2	13.90	86.20	4.50	Doubtful, probably skimmed.	
4.00	5.80	4.00	0.4	14.20	85.80	4.00	Genuine.	
4.20	5.20	4.80	0.6	14.80	85.20	10.60	do	
2.60	4.60	3.20	0.8	11.20	88.80	9.00	Doubtful, probably skimmed.	
2.80	9.20	3.60	0.2	15.80	84.20	9.00	Just within the limits.	
6.20	5.60	3.20	0.4	15.40	84.60	15.00	Genuine.	
3.80	6.20	4.20	0.4	14.60	85.40	12.00	do	
3.80	6.20	3.80	0.2	14.00	86.00	13.00	do	
2.80	4.00	3.20	0.2	10.20	89.80	10.00	Just within the limits.	
1.20	4.80	3.80	0.6	10.60	89.40	6.00	Skimmed.	
3.00	11.60	2.40	1.0	18.00	82.00	11.00	Genuine.	
1.00	5.80	3.00	0.8	10.60	89.40	4.00	Skimmed.	
3.80	5.60	3.60	0.6	13.60	86.40	12.00	Genuine.	
2.60	3.60	4.40	0.4	11.00	89.00	6.00	Doubtful, probably skimmed.	
3.0	7.5	4.5	0.6	15.0	85.0	.....	Good Milk.	
2.4	6.0	5.0	0.7	14.4	89.0	.....	Mixed with skim milk.	
4.5	4.1	4.7	0.6	13.3	86.7	.....	Good Milk.	
3.3	7.1	4.3	0.7	14.7	85.3	.....	do	
2.0	4.9	4.0	0.6	11.25	88.75	.....	Mixed with skim milk.	
2.5	4.3	4.6	0.7	11.30	88.70	.....	do do	
2.5	4.8	3.2	0.6	10.50	89.50	.....	do do	
2.15	5.65	4.6	0.7	11.40	88.60	.....	do do	
5.15	5.00	3.2	0.5	13.35	86.65	.....	Mixed with water.	
2.2	4.3	4.6	0.75	11.10	88.90	.....	Mixed with skim milk.	
2.3	6.35	4.90	0.55	11.55	88.45	9.2	Pure.	
1.9	4.40	4.60	0.55	10.90	89.10	7.6	Deficient in cream.	
1.8	5.05	3.75	0.50	10.60	89.4	7.2	do	
1.2	5.20	5.40	0.55	11.80	88.2	4.8	do	
1.6	5.25	4.50	0.5	11.15	88.85	6.0	do	

APPENDIX D.—INSPECTION OF FOOD.—

MILK.—

Date.	Name of Analyst.	Division.	No. of Analyst's Report.	Vendor.
1878.				
April 30 . . .	R. G. Fraser . . . . .	Halifax . . . . .	945	George Parker . . . . .
do . . . . .	do . . . . .	do . . . . .	946	Charles W. Drysdale . . . . .
do . . . . .	do . . . . .	do . . . . .	947	James McCulloch . . . . .
do . . . . .	do . . . . .	do . . . . .	948	Charles Kidston . . . . .
do . . . . .	do . . . . .	do . . . . .	949	Patrick Kellum . . . . .
do . . . . .	do . . . . .	do . . . . .	950	W York . . . . .
do . . . . .	do . . . . .	do . . . . .	951	James Walsh . . . . .
do . . . . .	do . . . . .	do . . . . .	952	Mrs. Bowler . . . . .
do . . . . .	do . . . . .	do . . . . .	953	Michael Kelly . . . . .
do . . . . .	do . . . . .	do . . . . .	954	Elizabeth Galloway . . . . .
do . . . . .	do . . . . .	do . . . . .	955	John Cruikshank . . . . .
do . . . . .	do . . . . .	do . . . . .	956	John Sheehan . . . . .
do . . . . .	do . . . . .	do . . . . .	957	do . . . . .
do . . . . .	do . . . . .	do . . . . .	958	Samuel Bowers . . . . .
do . . . . .	do . . . . .	do . . . . .	959	Watson Eaton . . . . .
do . . . . .	do . . . . .	do . . . . .	960	Angus McLeod . . . . .
do . . . . .	do . . . . .	do . . . . .	961	— Smail . . . . .
do . . . . .	do . . . . .	do . . . . .	962	— Upham . . . . .
do . . . . .	do . . . . .	do . . . . .	963	James McCulloch . . . . .
do . . . . .	do . . . . .	do . . . . .	964	W. Harvey . . . . .

## Tabulated Statement, &amp;c.—Continued.

Continued.

RESULTS OF ANALYSIS.							Remarks by the Analyst.
Contained in 100 Parts.						Butter Fat expressed in its equivalent as Cream.	
Butter Fat.	Caseine.	Sugars and Salts.	Ash.	Total.			
				Solids.	Water.		
p. cent.	p. cent.	p. cent.	p. cent.	p. cent.	p. cent.	p. cent.	
1.3	5.30	2.78	0.43	9.38	90.62	5.0	Watered about 30 per cent.
1.6	6.20	4.60	0.60	12.4	87.6	6.4	Deficient in cream.
2.0	5.50	4.4	0.55	11.9	88.1	8.0	Pure.
1.2	5.5	4.0	0.6	11.7	88.3	4.8	Deficient in cream.
1.5	5.00	3.1	0.5	9.6	90.4	6.0	do
3.0	5.85	4.0	0.55	12.85	87.15	12.0	Pure; cream above standard.
3.0	7.00	4.8	0.7	14.8	82.5	12.0	do do
3.55	5.10	4.55	0.5	13.2	86.8	14.2	Pure.
2.6	6.15	3.25	0.55	12.0	88.0	10.4	do
1.7	5.00	3.4	0.5	10.1	89.9	6.8	Deficient in cream and watered.
4.8	4.7	4.2	0.65	13.7	85.8	17.2	Pure.
2.5	6.0	4.35	0.55	12.85	87.1	10.0	do
2.2	6.2	4.25	0.06	12.65	87.35	8.8	do
2.0	5.6	4.4	0.6	12.60	87.4	8.0	do
2.2	5.0	4.0	0.5	11.2	88.8	8.8	do
3.5	7.3	5.1	0.7	15.9	84.1	14.0	do
2.2	5.5	4.2	0.6	11.9	88.1	8.8	do
2.5	6.5	4.3	0.55	13.3	87.7	10.0	do
2.5	4.9	4.0	0.6	11.4	88.6	10.0	do
2.6	5.4	3.8	0.55	11.8	88.2	10.4	do

APPENDIX D.—INSPECTION OF FOOD.—Tabulated Statement, &c.—Continued.

MUSTARD.

Date	Name of Analyst.	Division.	No. of Analyst's Report.	Vendor.	Result of Analysis, and remarks by the Analyst.
1878.					
June 25...	W. H. Ellis.....	Toronto	692	A. E. Fairfield.....	Consists of ground mustard mixed with flour.
do	do	do	693	— Swan Bros.....	Consists of mustard and flour.
do	do	do	694	P. Nisbet.....	Consists of mustard mixed with flour.
do	do	do	695	P. McColloch.....	Consists of ground mustard, mixed with flour.
do	do	do	696	J. Clemenger.....	Consists of mustard and flour.
do	do	do	697	John P. Boulton.....	Consists of mustard mixed with flour.
do	do	do	698	Mills Bros.....	do
do	do	do	699	James Good.....	do
do	do	do	700	Wm. Mara.....	do
do	do	do	1501	C. Thompson.....	do
July 3...	do	do	1502	Wm. McKenzie.....	Consists of mustard mixed with ground rice.
do	do	do	1503	Wm. Grant.....	do
do 23...	J. B. Edwards.....	Montreal	1328	L. A. Lesieur.....	Consists of a mixture of white and brown mustard and about 30 per cent. of wheat flour; adulterated to the extent of 30 per cent.
do	do	do	1329	T. Rowan.....	Adulterated with corn flour to the extent of 50 per cent, and contains white and brown mustard and cayenne pepper.
do	do	do	1330	T. Lamb.....	Adulterated to the extent of 30 per cent. with wheat flour, and contains white and brown mustard, cayenne and pepper.
do	do	do	1331	G. S. Prescott.....	Adulterated to the extent of 50 per cent. with corn flour, and contains white and brown mustard and cayenne.
do	do	do	1332	D. Crawford.....	A mixture of mustard, wheat flour 20 per cent., and cayenne. Admixture proclaimed on label.
do	do	do	1333	Arthur Baylis.....	Consists of white and brown mustard and cayenne pepper, with about 20 per cent. of wheat farina. Admixture proclaimed on label.
do	do	do	1334	W. A. Campbell.....	Consists of white mustard and about 25 per cent. farina adulterated.
do	do	do	1335	McGibbon & Baird.....	A mixture of white and brown mustard, cayenne, turmeric and about 25 per cent. of farina.
do	do	do	1336	W. Fraser.....	A mixed condiment, containing white and brown mustard, cayenne, salt and turmeric; not adulterated, as it does not profess to be pure mustard.



## APPENDIX D.—INSPECTION OF FOOD.—Tabulated Statement, &amp;c.—Continued.

## PEPPER.—Concluded.

Date.	Name of Analyst.	Division.	No. of Analyst's Report.	Vendor.	Results of Analysis and Remarks by the Analyst.
1878.					
July 7...	J. B. Edwards.....	Montreal.....	1349	Wm. Elliott.....	Adulterated with buckwheat and mustard husks say 15 per cent; ash, 1-75 per cent.
do ...	do .....	do .....	1350	O. H. Payton.....	Adulterated with lined seed meal, mustard husks, &c., 50 per cent; ash, 5-50 per cent.
do ...	do .....	do .....	1351	do .....	Adulterated with mustard husks and buckwheat husks to the extent of 15 per cent; ash, 2-25 per cent.
Aug. 1...	do .....	do .....	1352	N. Kearns.....	Adulterated with mustard husks and barley meal to the extent of 15 to 20 per cent, no mineral adulteration; ash, 5 per cent.
do ...	do .....	do .....	1353	E. Elliott.....	Adulterated to the extent of 25 to 30 per cent with corn husks and pea meal.—red containing iron oxide; ash 5-50 per cent.
do ...	do .....	do .....	1354	Lavery & Co .....	Adulterated to the extent of 45 to 50 per cent with corn husks, mustard husks, pea and oatmeal; ash, 4-50 per cent.
do ...	do .....	do .....	1355	McGibbon & Baird .....	Genuine cayenne pepper containing both large and small chillies, colorless and alkaline; ash, 5 per cent.
do ...	do .....	do .....	1397	F. Villeneuve.....	Adulterated to the extent of 25 to 30 per cent with pea meal, corn husks and woody fibre with a little cayenne pepper.
do ...	do .....	do .....	1398	do .....	Adulterated from 20 to 25 per cent with Indian corn meal, corn husks and woody fibre.
do ...	do .....	do .....	1399	Andrew McNiece.....	Adulterated to the extent of 15 to 20 per cent with pea meal, corn husks and woody fibre.
do ...	do .....	do .....	1400	do .....	Adulterated with pea flour and buckwheat to the extent of 10 to 15 per cent.
do ...	do .....	do .....	1401	J. Hutchison.....	Adulterated with pea meal and corn husks to the extent of 20 to 25 per cent.
do ...	do .....	do .....	1402	do .....	Adulterated with pea flour and buckwheat to the extent of 10 to 15 per cent.
June 19...	F. A. H. LaRue.....	Quebec.....	1112	F. X. Gingras.....	Adulterated, one half pepper one half wheaten flour.
do ...	do .....	do .....	1113	O. Bacon.....	Pure.
do ...	do .....	do .....	1114	M. McMillan.....	do .....
do ...	do .....	do .....	1115	O. Bacon.....	Adulterated; one-half pepper, one-half wheat flour.
do ...	do .....	do .....	1116	M. McMillan.....	Pure.
do ...	do .....	do .....	1117	F. X. Gingras.....	Adulterated; two-thirds pepper, one-third wheat flour.
do 30...	R. G. Fraser.....	Halifax.....	1209	John P. Mott.....	Adulterated with 30 per cent corn meal.



do do 25 per cent of meal.  
do do 30 per cent ground rice and rice husks.  
do do No adulteration.  
do do Adulterated with 30 per cent corn meal.  
do do 20 per cent meal.

1210 R. N. Beckwith  
1211 Lordly & Stimpson  
1212 Brown & Webb  
1213 James Scott  
1214 John McKay

do do  
do do  
do do  
do do  
do do

do do  
do do  
do do  
do do  
do do

do do  
do do  
do do  
do do  
do do

POTTED MEATS AND FISH.

Aug. 1	J. B. Edwards	Montreal	1425	E. Mathieu & Frère	Soup and Bouillie.—Meat in good condition and well preserved, and free from all metallic impurity.
do	do	do	1426	do	Anchovy Paste.—In fair condition, and contains nothing injurious to health; fish essence in small proportion; mineral matter of an aluminous nature and salt in excess.
do	do	do	1427	P. McKeoy	Fresh Star Lobster.—Inferior quality, containing much cartilage and edible matter of a generally unwholesome quality.
do	do	do	1428	D. C. Brosseau	Fresh Lobster.—Good fresh fish, well preserved without any cartilage and quite wholesome.
do	do	do	1429	Burk Bros	Soup and Bouillie.—Fair quality, and contains nothing injurious to health.
do	do	do	1430	Martin Neher	Potted Beef.—Good meat, but somewhat deteriorated by keeping.
do	do	do	1431	do	Strasbourg Meat.—Fair quality and in good condition, and contains nothing injurious to health.
do	do	do	1432	McGibbon, Baird & Co	Potted Beef.—Ingredients originally good and wholesome; somewhat deteriorated by age.
do	do	do	1433	do	Game Pie.—Good quality and in good condition.
do	do	do	1434	Crawford & Gordon	Roset Goose.—Meat good and wholesome; fat slightly rancid; contains nothing injurious to health.
do	do	do	1435	W. Frazer	Potted Ham.—Ingredients good and wholesome, but somewhat stale.
do	do	do	1436	Alfred Lapointe	Canned Salmon.—Fine fish, well preserved and in good condition and flavour; contains no metallic impurities.
April 30	F. A. H. LaRue	Quebec	744	Adam Waters	Potted Partridge.—Excellent. (One of the best dishes I ever tasted; much better cold than hot.)
do	do	do	746	do	Ortolans, White, truffled.—Excellent.
do	do	do	747	do	Julienne Soup.—Excellent.
do	do	do	748	do	Soup and Bouillie.—Middling.
do	do	do	749	do	Beuf à la mode.—Pretty good.
do	do	do	760	do	Bonillon frsas.—Inferior quality.
do	do	do	769	do	Chicken Soup.—Excellent.
May 2	do	do	760	do	Oxtail Soup.—Very inferior; nothing less than common beef soup.
do	do	do	761	do	Corred Beef.—Very inferior; not at all corred beef; ordinary boiled beef; no injurious substance.
do 8	do	do	763	do	English Mutton Chops.—Very inferior quality; no injurious substances.

APPENDIX D.—INSPECTION OF FOOD.—Tabulated Statement, &c.—Continued.

POTTED MEATS AND FISH.—Continued.

Date.	Name of Analyst.	Division.	No. of Analyst's Report.	Vendor.	Result of Analysis, and Remarks by the Analyst.
1878.					
April 30...	F. A. H. LaRue	Quebec...	763	Adam Waters	Veal Outlets.—Very inferior quality; no injurious substances.
do	do	do	764	do	Roast Beef.—Very badly prepared; no injurious substances.
do	do	do	765	do	Mouton rôti.—Very inferior quality; no injurious substance.
do	do	do	766	do	Paté de lièvre.—Middling; no injurious substance.
do	do	do	767	do	Langue de boeuf.—Pretty good.
do	do	do	768	do	Soup and Bouillie.—Excellent as ordinary food; very nutritious.
do	do	do	769	do	Broird Soup.—Middling; no injurious substance.
do	do	do	770	do	Scotch Haggis.—Very good, but very spicy.
do	do	do	771	do	Boiled Beef.—Pretty good.
do	do	do	772	do	Stewed Kidneys.—Middling; no injurious substances.
do	do	do	773	do	Veal Soup.—Badly prepared; no injurious substance.
do	do	do	774	do	Soup and Bouillie.—Very good; as common and ordinary food, very nutritious.
do	do	do	775	do	Kidney Soup.—Bad; no injurious substances.
June 30...	R. G. Fraser	Halifax	1244	Henry Cook	Spiced and Smoked Meat.—No adulteration.
do	do	do	1245	George Miller	do

PRESERVED VEGETABLES.—PICKLES.

1877.					
Dec. 31...	W. H. Ellis	Toronto...	678	Postlethwaite & Co	Free from copper or other injurious substance.
do	do	do	679	Richardson & Co	do
Oct. 1...	J. B. Edwards	Montreal	824	L. J. J. Daoust	Contains copper in quantity which I consider would be injurious to the health; this is the only impurity.
do	do	do	825	George Graham	Mixed pickles; the portion of cucumber and gherkins, highly colored green, contains copper to an unwholesome extent. The other vegetables, comprising three-fourths of the whole, are free from copper and perfectly wholesome.
1878.					
June 11...	do	do	1043	J. B. Richer	Free from copper or any unwholesome ingredient.
do	do	do	1044	D. O. Brosseau	Contains no copper or any injurious ingredient.



APPENDIX D.—INSPECTION OF FOOD.—Tabulated Statement, &c.—Continued.

SUGAR.

Date.	Name of Analyst.	Division	No. of Analyst's Report.	Vendor.	Cane Sugar.	Glucose.	Moisture.	Mineral Matter and Salt.	Results of Analysis and Remarks by the Analyst.
1877.									
Oct. 26...	J. B. Edwards...	Montreal...	829	J. A. Mathewson.....	.....	.....	.....	.....	Brown moist, damaged with salt water and iron and is unfit for human consumption.
do	do	do	830	do	.....	.....	.....	.....	Damaged with salt water and iron and is unfit for human consumption.
1878.									
June 30...	do	do	1059	H. Beattie & Co.....	.....	.....	.....	.....	Granulated; contains no appreciable impurity, i. e. cane sugar, 100 per cent.
do	do	do	1060	do	84.5	10.0	5.0	0.5	Contains 84.5 per cent. of cane sugar.
do	do	do	1061	B. Copeman	92.1	2.5	5.0	0.4	Contains 92.1 per cent. of cane sugar.
do	do	do	1062	do	.....	.....	.....	.....	Contains 100 per cent. of cane sugar.
do	do	do	1063	George Graham	88.5	7.0	4.0	5.0	Contains 88.5 per cent. of cane sugar.
do	do	do	1064	George Graham	93.2	3.9	2.5	4.0	Brown sugar, contains 93.2 per cent of cane sugar.
do 26...	do	do	1085	Michael Maloney	100.0	.....	.....	.....	Granulated, pure cane sugar.
do	do	do	1086	do	.....	.....	.....	.....	Brown, contains 80.3 per cent of cane sugar.
do	do	do	1087	Edward Vanier	89.3	11.7	6.0	2.0	Yellow, contains 90.0 per cent of cane sugar.
do	do	do	1088	do	90.8	2.7	5.0	1.5	Granulated, pure cane sugar.
do	do	do	1089	D. P. Beattie	100.0	.....	.....	.....	Raw, contains 90.4 per cent of cane sugar.
do	do	do	1090	do	96.1	3.6	4.5	1.5	Refined, contains 96.1 per cent of cane sugar.
do	do	do	1091	James Jack & Co.	84.5	4.5	9.0	2.0	Raw, do 84.5 do do
do	do	do	1092	do	.....	.....	.....	.....	do 85.6 do do
do	do	do	1093	Wm. Donahue	85.6	4.4	4.5	2.5	do 88.6 do do
do	do	do	1094	do	85.7	7.8	5.0	1.5	do 85.7 do do
do	do	do	1095	do	89.9	4.1	3.5	2.5	Refined, do 89.9 do do
do	do	do	1096	do	.....	.....	.....	.....	do 88.0 do do
do	do	do	1097	A. O. Gauthier	88.0	5.0	5.0	2.0	Raw, do 88.0 do do
do	do	do	1098	do	.....	.....	.....	.....	do 88.2 do do
do	do	do	1099	Paul Bruchesi	81.9	11.6	4.5	2.0	Brown, do 81.9 do do
do	do	do	1100	Thos. Lamb	86.0	7.0	3.5	3.5	do 86.0 do do
do	do	do	1301	G. Rasconi	86.0	7.8	3.0	3.2	do 86.0 do do
do	do	do	1302	McGibbon & Esird	87.5	3.5	5.5	3.5	Refined, do 87.5 do do

APPENDIX D.—INSPECTION OF FOOD.—Tabulated Statement, &c.—Continued.

SUGAR.—Continued.

Date.	Name of Analyst.	Division.	No. of Analyst's Report.	Vendor.	Cane Sugar.	Glucose.	Moisture.	Mineral Matter and Salt.	Ash.	Insoluble.	Matter in suspension.	Results of Analysis and Remarks by the Analyst.
1878.	F. A. H. LaRue.	Quebec.										
Aug. 7.	F. A. H. LaRue.	Quebec.	1165	Et. Paradis.	85.10	14.0	0.50		0.40			Raw sugar, too high percentage of glucose.
do	do	do	1166	A. Paré	89.0	10.0	0.50		0.50			do
do	do	do	1167	A. Pouliot	86.10	12.0	1.40		0.50			do
do	do	do	1168	Ed. Clarke.	87.0	12.0	0.50		0.50			do
do	do	do	1169	W. Coleman.	86.8	12.0	0.80		0.40			do
do	do	do	1170	J. B. Martel.	92.90	7.0	0.60		0.50			Refined, not adulterated.
do	do	do	1171	Ed. Clarke.	94.0	5.0	0.50		0.50			do
do	do	do	1172	A. Pouliot	99.20	traces	0.40		0.40			do
do	do	do	1173	W. Coleman	93.90	5.0	0.60		0.50			do rather high percentage of glucose for refined sugar.
do	do	do	1174	J. B. Martel	99.30	none.	0.40		5.30			do not adulterated.
do	do	do	99.20	A. Paré	none.	none.	0.50		0.30			do
do	do	do	1176	Et. Paradis	84.80	14.0	0.60		0.60			Raw, too high percentage of glucose.
May 29.	R. G. Fraser.	Halifax	965	R. T. Scott	86.4	10.0	3.0		0.60			No adulteration.
do	do	do	966	James Scott	87.8	7.5	3.8		0.70	2	traces	do
do	do	do	967	do	85.7	10.0	3.6		0.60	1	traces	do Dark coarse grain.
do	do	do	968	C. & W. Anderson	88.4	7.5	3.2		0.90	traces	traces	Bright yellow coarse grain; no adulteration.
do	do	do	969	James Scott	90.1	7.5	2.2		0.2			Light colour, good crystal; no adulteration.
do	do	do	970	C. & W. Anderson	91.9	5.0	2.6		0.5			No adulteration.
do	do	do	971	R. B. McIntosh	89.3	7.5	2.4		0.8		traces	do
do	do	do	972	do	93.2	2.5	4.0		0.3		traces	do
do	do	do	973	do	91.4	5.0	3.4		0.2			do
do	do	do	974	A. & W. Smith	91.7	3.0	2.0		0.3			do
do	do	do	975	do	89.0	5.0	5.4		0.6			do
do	do	do	976	do	9.35	1.25	2.6		0.3			Five per cent of sand.

APPENDIX D.—INSPECTION OF FOOD.—Tabulated Statement, &c.—Continued.  
SWEETS.

Date.	Name of Analyst.	Division.	No. of Analyst's Report.	Vendor.	Results of Analysis, and remarks by the Analyst.
1878.					
Aug. 9...	J. B. Edwards	Montreal	1376	C. Archaibeault	Cream sticks, containing starch, glucose and yellow coloring vegetable matter, but nothing injurious to health.
do	do	do	1377	do	Red cream sticks, containing a red coloring matter, not of a mineral nature or injurious to health.
do	do	do	1378	J. K. Collins	Sweets, composed of sugar and vegetable oil and quite wholesome.
do	do	do	1379	do	Candy, simple and wholesome, contains no mineral matter.
do	do	do	1380	James Griffin	(Comfils, composed of sugar and gum; no mineral matter.
do	do	do	1381	do	Winter green berries, contains a red coloring matter of vegetable nature; nothing unwholesome.
do	do	do	1382	Victor Déom	Liquorice, chiefly kaurine and glucose, with mere traces of inferior liquorice; highly adulterated, but not unwholesome.
do	do	do	1382	do	Almonds, adulterated with starch and plaster of Paris.
do	do	do	1384	J. Sissons	French candy, containing glucose and sugar, and nothing injurious.
do	do	do	1385	do	Peppermint, unadulterated.
do	do	do	1386	C. Alexander	Assorted candy, genuine sugar; no mineral matter; colors harmless.
do	do	do	1387	do	Sugared almonds, genuine sugar; no starch or mineral matter.
do	do	do	1386	James W. Tester	Conversation lozenges, composed of sugar with a large proportion of starch; no gypsum or anything injurious to health.
do	do	do	1389	do	Common lozenges, containing a large proportion of starch; no mineral matter or anything injurious to health.
do	do	do	1390	A. Duchesneau	Caraway comfils, colored with vegetable dyes and containing nothing injurious to health.
do	do	do	1391	do	Common candy, containing nothing injurious to health.
do	do	do	1392	C. M. Putney	Cream candy, containing no mineral matter or anything of a deleterious nature.
do	do	do	1393	do	Rose lozenges, containing much starch but nothing mineral or unwholesome.
do	do	do	1394	Martin Neaher	Rowntree's chocolate creams, containing cocoa, starch and sugar and is perfectly wholesome.
do	do	do	1395	Wm. Johnson	Vanilla chocolate, containing cocoa and sugar only, and is quite wholesome.

do	do	do	do	1396	do	do	do	Chocolate croquets, containing cocoa, butter and sugar, a sweet meat of very superior quality and excellence.
June 22...	F. A. H. LaRue.....	Quebec.....	do	1124	J. Allard	do	do	Sugar stick, very red, colored with organic coloring matter, no foreign mineral injurious substances, excellent.
do	do	do	do	1125	do	do	do	Sugar stick, white and red, colored with organic matter, no foreign mineral injurious substances, flavored with essence of pepperment, excellent.
do	do	do	do	1126	do	do	do	Sugar stick, red, coloured with organic coloring matter, no foreign mineral injurious substance, flavored with essence of cloves, excellent.
do	do	do	do	1127	do	do	do	Sugar stick, white and red, colored with organic coloring matter, no foreign injurious mineral substances, flavored with essence of lemon, excellent.
do	do	do	do	1128	do	do	do	Sugar stick, pink, colored with organic coloring matter, no foreign mineral injurious substance, flavored with essence of cinnamon, excellent.
do	do	do	do	1129	do	do	do	Sugar stick, white and pink, colored with organic coloring matter, no foreign mineral injurious substances, flavored with essence of lemon, excellent.
do	do	do	do	1130	do	do	do	French candy, consisting of sugar and essence of vanilla, excellent.
do	do	do	do	1131	do	do	do	French candy, (in imitation of sliced apple,) consisting of sugar without essence, excellent.
do	do	do	do	1132	do	do	do	French candy, (in imitation of plum,) consisting of sugar without essence, no injurious mineral substance, excellent.
do	do	do	do	1133	do	do	do	French candy, pink, consisting of sugar, with essence unknown, no injurious mineral substance, excellent.
do	do	do	do	1134	do	do	do	French candy, red and white, sugar with almond, no essence, no injurious mineral substance, excellent.
do	do	do	do	1135	do	do	do	Guimauve, abundance of starch, must be difficult digestion for children
do 28...	do	do	do	1152	W. McWilliams.....	do	do	Almond sugar stick, very good, absence of all mineral noxious substances.
do	do	do	do	1153	do	do	do	Chocolate sugar stick, very good, absence of all mineral noxious substances.
do	do	do	do	1154	do	do	do	Sugar stick with figs, very good, absence of all mineral noxious substances.
do	do	do	do	1155	do	do	do	Cream sugar with almonds, very good, absence of all noxious mineral substances.
do	do	do	do	1156	do	do	do	Sugar stick with cocoa, very good, absence of all noxious mineral substances.
do	do	do	do	1157	do	do	do	Sugar stick, white and yellow, very good, absence of all noxious mineral substances.
do	do	do	do	1158	do	do	do	Jujube paste (imitation of sliced lemon) very good, absence of all noxious mineral substances.
do	do	do	do	1159	do	do	do	Pepperment, white, very good, absence of all noxious mineral substances.
do	do	do	do	1160	do	do	do	Bull's eyes, red and white, very good, absence of all noxious mineral substances.

APPENDIX D.—INSPECTION OF FOOD.—Tabulated Statement, &c.—Continued.

SWEETS.—Continued.

Date.	Name of Analyst.	Division.	No. of Analyst's Report.	Vendor.	Results of Analysis and Remarks by the Analyst.
1878.					
June 26...	F. A. H. LeRue.....	Quebec.....	1161	W. McWilliams.....	Almonds, covered with white sugar, very good, absence of all noxious mineral substances.
do ...	do .....	do .....	1162	do .....	French candy, red and white, very good, absence of all noxious mineral substances.
do ...	do .....	do .....	1163	do .....	French candy, pink, very good, absence of all noxious mineral substances.
do ...	do .....	do .....	1164	do .....	A dragee candy, pink, very good, no noxious mineral substances.
do 30...	R. G. Fraser .....	Halifax.....	1238	M. J. O'Brien .....	Pan confectionery, no adulteration, lozenges, 9 per cent. starch, no injurious coloring.
do ...	do .....	do .....	1239	Moir & Co .....	Pan confectionery is made with small cakes 34 per cent. coated with sugar 66 per cent. The other confectionery is almonds, chocolate and sugar; no adulteration.



APPENDIX D.—INSPECTION OF FOOD.—Tabulated Statement, &c.—Continued.

TEA.

Date.	Name of Analyst.	Division.	No. of Analyst's Report.	Vendor.	Results of Analysis.				Remarks by the Analyst.
					Extractive	Tea Leaves.	Theine.	Ash.	
1878.									
Feb. 28...	J. B. Edwards...	Montreal.....	851	Laurie, Wright & Co...	30.0	68.0	1.2	6.0	Genuine tea, probably Japan tea mixed with Hyson; volatile matter, 2 per cent. N.B.—The peculiar character of the leaves are concealed by the mode of preparation, and this is doubtless a compound of several varieties of tea. It appears, however, to be composed of tea leaves only, and is remarkable for rapid infusion, which at once extracts the whole virtue of the tea. Several qualities of this tea are in the market. This appears to be genuine tea and of good quality for the price at which it is sold; it, however, is exhausted at the first infusion; possesses little volatile matter. Any adulteration of other leaves would be difficult of detection under the conditions in which the tea is sold. Several qualities of this tea are sold, of which this is the lowest and unobjectionable.
do 28...	do	do	852	do	40.3	59.7	1.80	5.90	Mixed Japan and green tea, with much stalk, not adulterated.
April 25...	do	do	867	Stroud Bros.....	21.0	.....	1.0	7.0	Very poor black tea, much broken and decayed; probably mixed with exhausted tea leaves.
do 25...	do	do	868	do	21.0	.....	none.	7.0	Japan tea of fair quality.
do 25...	do	do	869	do	30.0	.....	2.0	5.4	Young Hyson of fair quality.
do 25...	do	do	870	D. Crawford.....	34.0	.....	1.50	6.0	Consists of old Congou tea, genuine.
do 25...	do	do	871	do	30.0	.....	1.30	5.2	A fine quality of black tea.
do 25...	do	do	884	Laurie, Wright & Co...	28.0	.....	1.6	4.0	A fine quality of black tea.
do 25...	do	do	885	do	29.1	.....	1.8	4.2	A fine quality of black tea.
do 25...	do	do	886	do	28.0	.....	1.6	4.8	Black tea of fine quality.
do 30...	do	do	887	do	28.3	.....	1.8	4.1	Genuine black tea of good quality.
do 30...	do	do	888	do	34.0	.....	1.0	3.0	Genuine Japan tea.
do 30...	do	do	889	do	38.0	.....	2.0	3.0	Young Hyson tea of superior quality.
do 30...	do	do	890	C. Barbeau.....	18.0	.....	none.	12.0	A mixture of leaves and stalks of various unknown shrubs, and contains no genuine tea.

APPENDIX D.—INSPECTION OF FOOD.—Tabulated Statement, &c.—Continued.

TEA.—Continued.

Date.	Name of Analyst.	Division.	No. of Analyst's Report.	Name of Vendor.	Results of Analysis.				Remarks by the Analyst.
					Extractive	Tea Leaves.	Theine.	Ash.	
1878.									
May 20..	J. B. Edwards...	Montreal.....	891	D. Rousse.....	21.0	traces	12.0		Mixed Japan and China tea, adulterated with foreign leaves and stalks, and highly faced with gypsum and Prussian blue.
do 20...	do	do	892	N. Robert.....	24.0	1.1	8.0		Consists of broken leaves, stems and dust, probably tea "sweepings," containing much worthless leaf, but no facing or attempt to disguise.
do 20...	do	do	893	L. Mahen.....	28.0	1.5	6.0		Genuine tea of low quality.
do 20...	do	do	894	do	25.0	1.2	10.0		Japan tea, highly faced with gypsum.
do 30...	do	do	1005	George Thompson.....	32.0	1.75	6.0		Genuine Japan tea
do 30...	do	do	1006	John Duncan.....	35.0	2.00	3.0		(Genuine Congou black tea.
do 30...	do	do	1071	Turot & Marchand.....	28.0	1.30	7.30		Genuine tea, highly faced with Prussian blue and Lycopium.
do 30...	do	do	1072	do	21.0	none.	8.0		Damaged with salt water and re-dried; quite valueless as tea and musty; sold at 15 cents per lb.
do 30...	do	do	1073	John Thompson.....	32.0	1.30	9.0		Genuine tea, slightly faced with gypsum.
do 30...	do	do	1074	do	35.0	1.60	6.0		Genuine black tea.
do 30...	do	do	1075	L. Chaput, Fils & Co.....	28.0	1.2	12.0		Genuine tea, but very highly faced with gypsum.
do 30...	do	do	1076	do	31.0	2.5	6.0		Genuine tea, slightly faced with gypsum.
do 3...	F. A. H. LaRue.....	Quebec.....	751	Adam Waters.....	.....	2.30	6.0		Black tea, not adulterated.
do 8...	do	do	752	L. Poston.....	.....	2.30	7.0		do do do
do 8...	do	do	753	G. & C. Hossack.....	.....	2.28	6.0		do do do
June 10...	do	do	754	G. Hall.....	.....	2.10	7.0		do do do
do 10...	do	do	755	E. Paradis.....	.....	1.20	6.0		Green tea, not adulterated.
do 10...	do	do	756	T. Poston.....	.....	1.40	5.0		do do do
do 10...	do	do	757	G. Hall.....	.....	1.20	5.0		do do do
do 10...	do	do	758	Adam Waters.....	.....	2.40	5.0		do do do
do 10...	do	do	776	E. Paradis.....	.....	traces	6.0		Black tea, adulterated with foreign leaves.
do 10...	do	do	777	A. Paré.....	.....	0.80	6.0		Black tea, doubtful.
do 10...	do	do	778	do	.....	0.80	5.0		Green tea, doubtful.
do 10...	do	do	779	A. Dion.....	.....	1.60	5.0		Green tea, not adulterated.

APPENDIX D.—INSPECTION OF FOOD.—Tabulated Statement, &c.—Continued.

TEA.—Continued.

Date.	Name of Analyst.	Division.	No. of Analyst's Report.	Vendor.	Results of Analysis.							Remarks by the Analyst.	
					Moisture.	Tannin.	(Other soluble matter.	Organic matter insoluble.	Ash soluble in water.	Ash soluble in acid.	Ash insoluble		
1878.													
May 30.	R. G. Fraser	Halifax	977	C. & W. Anderson	5.1	8.5	18.7	56.0	2.2	2.4	0.7	Leaves much broken; no adulteration. Containing foreign tannin and low class tea.	
do 30.	do	do	978	Thompson & Bligh	7.1	12.5	14.8	59.6	1.4	4.3	0.3		
do 30.	do	do	979	James Scott	7.9	14.7	11.8	60.1	2.7	2.4	0.4	No adulteration.	
do 30.	do	do	980	do	5.8	12.5	12.9	63.2	1.6	3.4	0.6	Contains foreign tannin and low class tea.	
do 30.	do	do	981	do	8.6	15.1	10.6	59.8	2.8	3.0	0.2	No adulteration; mixed with green tea.	
do 30.	do	do	982	Barnaby & Haley	9.6	12.7	12.6	59.7	3.6	1.6	0.4	Leaves much broken; no adulteration.	
June 1.	do	do	983	M. A. Sutcliffe	8.1	13.3	13.7	59.8	3.1	1.6	0.3	No adulteration; leaves much broken.	
do 1.	do	do	984	C. & W. Anderson	8.1	10.0	15.5	60.7	1.7	3.5	0.5	Low class of tea; no adulteration.	
do 1.	do	do	985	M. H. Ruggles	8.0	10.1	16.4	57.8	3.5	4.0	0.2	No adulteration; leaves much broken.	
do 1.	do	do	986	Lordly & Stimpson	8.2	10.0	15.9	60.5	2.4	2.6	0.3	No adulteration.	
do 1.	do	do	987	Brown & Webb	9.6	12.5	13.7	58.2	1.4	3.4	1.2	Leaves much broken.	
do 1.	do	do	988	do	6.6	13.0	12.4	62.2	1.8	3.6	0.4	A few foreign leaves.	



## INDEX.

	PAGE.		PAGE.
Adams, J. D .....	35	Burk Bros .....	55
Akenhead, D.....	48	Burke, J. E. ....	23, 37
Alexander, C.....	60	Butler, P.....	26
Allard, J.....	61	Butler, T.....	38, 53
Allspice .....	6	Butter.....	9, 15, 18, 20
do tabulated statement of.....	22	do tabulated statement of .....	24, 27
Ambrose, J. D.....	37	Butterine.....	9, 15
Amyot, A.....	44		
Anderson, C. & W.....	59, 59, 65, 65	Campbell, J. W.....	26
Archambault, C.....	60	Campbell, W. A .....	52
Archambault, N.....	44	Canned Fruit.....	11, 14
Atkin, G.....	42	do tabulated statement of.....	28
Atkin, Wm.....	42	Cantin, T.....	48
Auger & Collette.....	38	Cardinal, O.....	46
Austin, Mrs.....	28	Carey, Mrs.....	48
		Carmody, T.....	44
Bacon, O.....	54, 54	Carrier, H.....	48
Baking Powder.....	6, 12, 20	Casinault, —.....	44
do tabulated statement of.....	22	Cassia, tabulated statement of.....	29
Baird & Co.....	28	Cassick, Timothy.....	42
Barbeau, C.....	63	Chandler, Harlow.....	24
Barnaby & Haley.....	65	Chaput, L., Fils & Co.....	64
Barns & Co.....	57	Cheverier, Louis.....	44
Bauer, George.....	26	Cheverier, Remi.....	44
Bauld & Gibson.....	53	Chocolate.....	5, 10, 12, 18, 20
Baylis, Arthur.....	24, 52	do tabulated statement of .....	30, 32
Beaford, S. & Co.....	24	Cinnamon.....	6
Beaty, C.....	22, 29, 29	do tabulated statement of .....	29
Beauchamp, D.....	46	Cinnamon, W.....	44, 46
Beaufoy, A.....	53	Clarke, E.....	59, 59
Beattie, H. & Co.....	58	Clarke, R. D.....	26
Beattie, D. P.....	58	Clary, Hugh.....	46
Beckwith, R. N.....	22, 39, 40, 55	Clemenger, J.....	52
Beer.....	20	Clough, A. S.....	41
Bell, Simpson & Co.....	24	Cloves, tabulated statement of.....	29
Bergin, H.....	48	Coady, F. N.....	42
Berwick.....	22, 39	Cocoa.....	10, 12, 18, 20
Betcher, J. W.....	28	do pure, rarely met with.....	5
Bicaouette & Frères.....	40	do tabulated statement of.....	33, 36
Blouin, O.....	48	Cod Liver Oil.....	13, 20, 37
Blumhart & Riverier.....	40	Coffee.....	14, 18, 20
Boily, E.....	26, 48, 53	do rarely obtained in a genuine state ...	9
Bonner, Messrs.....	42	do tabulated statement of .....	37, 39
Bonner, Thos.....	42	Cole, Robert.....	46
Borbeau, Chas.....	37	Coleman, W.....	26, 40, 59, 59
Boulton, John P.....	52	Collins, J. R.....	60
Bowers, S.....	50	Collins, Mrs.....	48
Bowler, Mrs.....	50	Condiments.....	10
Boyce, M.....	24	Confectionery.....	10, 18
Bread.....	13, 20	Cook, Henry.....	56
do tabulated statement of.....	23	Copeman, B.....	58
Bremner, John.....	45	Corkeil, J. M.....	23
Brochu, Basile.....	46	Cowie, A. McK.....	24
Broome, Thos.....	44	Crathern, T.....	24, 28
Bronard, F.....	26	Crawford, D.....	37, 33, 34, 52, 63
Brosseau, D. C.....	24, 28, 55, 56	Crawford & Gordon.....	24, 38, 55
Brouard, J.....	57	Cream of Tartar.....	6, 20
Brown, J.....	44	do tabulated statement of....	39
Brown & Webb.....	29, 29, 53, 55, 65	Creelman, J.....	26
Brown, D.....	20	Crevier, Remi.....	44
Bruchesi, Paul.....	58	Crevier, Louis.....	44
Brunet, Pierre.....	44	Cruikshank, J.....	50
Brunette, Joseph.....	46	Curtin, Patrick.....	46
Bryaoutte & Frères.....	29		

	PAGE.		PAGE.
Cyprien, Chas.....	28	Germain, Pierre.....	48
Dalton Bros.....	53, 53, 53	Gibb, J. & Co.....	42
Daniel, André.....	44	Ginger.....	18
Daoust, L. J. J.....	56	do tabulated statement of.....	40
Daunais, N., et Frères.....	29, 40	Gingras, F. X.....	29, 54, 54
David, David.....	24	Good, James.....	52
Davidson.....	48	Gould, James.....	48
Déguise, Ben.....	44	Grace, P.....	29, 29, 38, 40
Déom, Victor.....	60	Graham, Charles.....	26
DeSola Bros. & Collins.....	24	Graham, George.....	24, 39, 56, 58
Desmarteau, C.....	53	Grant, William.....	52
Desrosiers, L. J. P.....	37	Gravel Frères.....	30, 34, 40
Devins & Bolton.....	37	Gravel, O.....	22
Dion, A.....	31, 35, 35, 64	Grenier, W.....	26
Dodd, Wm.....	30	Griffin, James.....	60
Donahue, Ed.....	26	Groulx, Joseph.....	46
Donahue, Wm.....	58	Guay, Julien.....	48
Donald, R.....	53, 53	Guy, Edward.....	44, 46
Downey, Patrick.....	44	Hadley, Isaac.....	46
Doyle, Patrick.....	42	Hall, G.....	31, 57, 64
Drysdale, Chas.....	48, 50	Hait, George.....	24
Dubeau, J. B.....	31, 31, 35, 35, 39, 40	Halligan, Owen.....	43
Dubois, Joseph.....	48	Hamilton & Co.....	24
Duchesneau, A.....	60	Hannah, John.....	46
Dufresne, R.....	38	Hannan, M.....	24
Dufresne & Mongenais.....	30, 33, 39	Hargrave, H.....	30
Duggan, J. & Son.....	26	Harrington, W. D.....	53
Duncan, John.....	64	Harrington, W. R.....	39
Dundas, Alex.....	42	Harrington, W. M.....	32, 39
Dunkin, W.....	46	Hart, F. J.....	24
Dupont, Jacques.....	48	Harvey, W.....	50
Dupuis, Ignace.....	44, 44	Hethrington, T.....	23
Durney, Thomas.....	37	Hewson, W. H.....	44
Eaton, Watson.....	48, 50	Hill, G.....	44
Edwards, Edward.....	44, 44	Hogben, Henry.....	22
Edwards, J. B., Report.....	8	Hosken, Henry.....	31, 35
Egg Powder, tabulated statement of.....	20, 40	Hossack, C. E.....	53
Elliott, Edward.....	29, 40, 53, 54	Hossack, G.....	31, 31
Elliott, William.....	37, 53, 54	Hossack, G. C.....	57
Ellis, W. H., Report.....	5	Hossack, G. & C.....	61
Escorneau, Y. L.....	44	How & Co.....	36
Etter, John.....	48	Howard, J. F.....	22
Faille, A.....	38	Hudon, J. & Co.....	28
Fairfield, A. E.....	52	Hunt, G.....	44
Flanagan, G.....	46	Hunt, G. L.....	46
Flanagan, Thomas.....	46	Huot, Jean.....	48
Fletcher, James.....	46	Huot, P.....	38, 53
Flynn, J. G.....	46	Hutchison, J.....	29, 38, 40, 54
Foisy, L.....	24	Hutton, D. & Co.....	28
Forster, John.....	23, 33	Jack, James & Co.....	58
Forsyth & Co.....	36, 37, 39	Jacob, —.....	40
Forsyth, R.....	41	Jeffs, John.....	22, 29, 29, 33, 33
Fortier, J. E.....	20	Jenkins & Co.....	26
Fraser, A. B.....	31	Johnson, William.....	31, 33, 34, 57, 60
Fraser, R. G., Reports.....	16, 17	Johnson, T.....	23
Fraser, James.....	39	Jones, Charles.....	46
Fraser, W.....	46, 52, 55	Jordan, G.....	24
Fuller & Shufelt.....	24	Kane, Frank.....	42
Fulton & Michie.....	30, 33, 33	Kearns, N.....	24, 54
Funston, J. J.....	22, 29, 29	Kelly, M.....	50
Gagné, H.....	48	Kelly, Philip.....	42
Gagnon, Thomas.....	46	Kellum, Patrick.....	50
Galbraith, W.....	24	Kemp, E.....	30
Galloway, Elizabeth.....	50	Kenneth, Campbell & Co.....	37
Gauthier, A. O.....	58	Kidston, Charles.....	50
Gauthier, T.....	24	Kerup, William.....	42
		Kingan & McBurney.....	24



	PAGE.		PAGE.
Ramsay & Johnston.....	26	Sutcliffe, M. A.....	39, 65
Rasconi, C.....	58	Stroud Bros.....	63
Reeve, A. D.....	46	Swan Bros.....	33, 52
Reeve, Napoleon.....	46	Sweets, tabulated statement of.....	15, 60, 62
Renaud, Isidore.....	46		
Richardson & Co.....	56		
Richardson, W. H.....	28	Tanguay, Remi.....	46
Richer, J. B.....	56, 58	Taylor, Chas.....	21
Robert, N.....	37, 64	Tea.....	10, 14, 15, 18, 20
Robertson, David & Co.....	24	do tabulated statement of.....	63, 65
Robertson, John.....	34	Temperance Beverages.....	11
Rochet, U.....	48	Tester, James W.....	60
Rochette, F.....	48	Thomas, W.....	32
Rochette, J. B.....	48	Thompson, C.....	52
Rochon, F.....	48	Thompson, George.....	64
Rochon, V.....	48	Thompson, John.....	64
Ronne, Charles.....	32	Thomson & Bligh.....	39, 65
Rooney, Patrick.....	44	Thomson & Buckley.....	38
Rourke, Mrs. A.....	42	Tobin, John & Co.....	26
Rousse, D.....	23, 24, 30, 37, 64	Todd, Hunter, Black & Co.....	36
Rowan, T.....	52	Toronto Dairy Co.....	42, 42
Roy, Honore.....	44	Toronto Tea Co.....	33
Royer, Joseph.....	48	Toussaint, A.....	31, 35, 35, 67
Ruggles, M. H.....	65	Tranholme, Thos.....	44
Ruggles, N. H.....	39	Turcotte, A.....	23, 67
Ryan, Mrs.....	48	Turcotte, J. B.....	46
		Turcot & Marchand.....	64
Samson, H.....	48		
Samson, J.....	48	Upham.....	50
Schuppe, Mrs.....	48	Urquhart, Robert.....	32, 39
Schwartz, George.....	39, 39		
Scott, James.....	26, 29, 36, 39, 55, 59, 59, 65		
Scott, R. T.....	59	Vancelle, O.....	29
Senecal, M. C.....	53	Vaunier, Edward.....	58
Shaw.....	42	Veziua, J.....	48
Shea, Daniel.....	46	Veziua, Mrs. J.....	48
Sheedy, P.....	42	Villeneuve, F.....	54
Sheehan, John.....	50	Villeneuve, J. O.....	37, 53
Shields & Co.....	22, 39	Vocelle, O.....	40
Simard, R.....	48		
Sissons, J.....	41, 60		
Smith, A. and W.....	26, 59	Walsh, James.....	50
Smith, E.....	44	Wait, George.....	24
Small.....	50	Ward, John.....	42, 42
Smith, W. J.....	53, 53	Water.....	11
Solomon, W. W.....	44	Waters, Adam.....	28, 31, 31, 35, 39, 55, 56, 57
Spencer, W. B.....	32	Waugh, Mrs.....	48
Spices.....	6, 14, 18, 20	Wills & Watson.....	53, 53
Sugar.....	9, 15, 18, 20	Wiswell.....	23
do tabulated statement of.....	56, 59		
Summerville, S.....	48	York, W.....	50



---

---

# ANNUAL REPORT

OF THE

# DEPARTMENT OF THE INTERIOR

FOR THE

YEAR ENDED 30TH JUNE,

1878.

---

Printed by Order of Parliament.

---



OTTAWA :

PRINTED BY MACLEAN, ROGER & CO., WELLINGTON STREET.

1879.



# TABLE OF CONTENTS.

Report of the Minister of the Interior.....	PAGE vi
---	------------

## GENERAL APPENDIX.

### PART I.—INDIAN BRANCH.

Report of the Deputy Superintendent General of Indian Affairs.....	5
PAPERS ACCOMPANYING ABOVE—ONTARIO SUPERINTENDENCIES.	
No. 1. Grand River Superintendency, J. T. Gilkison, Visiting Superintendent and Commissioner.....	19
2. Western do 1st Division, E. Watson, Indian Superintendent.....	21
3. do do 2nd do Thos. Gordon, Agent.....	22
4. Central do Wm. Plummer, Visiting Superintendent and Commissioner.....	23
5. Northern do 1st Division, J. C. Phipps, Visiting Superintendent.....	24
6. do do 2nd do C. Skene do ...	25
7. do do 3rd do Wm. Van Abbott, Indian Lands Agent.....	27
8. do do 4th do Amos Wright, Agent.....	28

### QUEBEC AGENCIES.

No. 9. Caughnawaga Agency, G. E. Cherrier, Agent.....	29
10. Lake of Two Mountains Agency, John McGirr, Agent.....	30
11. St. Regis Agency, John Davidson, Agent.....	32
12. St. Francis do L. A. DeBlois do .....	33
13. Viger do A. LeBel do No Report.....	34
14. Lake St. John do L. E. Otis do .....	34
15. River Désert do Patrick Moore do .....	35

### NOVA SCOTIA AGENCIES.

No. 16. District No. 1, John Harlow, Agent. No Report.....	36
17. do 2, J. E. Beckwith, Agent.....	36
18. do 3, Rev. Thos. Butler do .....	36
19. do 4, Rev. E. J. McCarthy, Agent.....	37
20. do 5, Rev. M. O'Connor do No Report.....	38
21. do 6, Dr. McLean do do .....	38
22. do 7, A. F. Clark do .....	38
23. do 8, Rev. R. McDonald do No Report.....	38
24. do 9, Rev. Wm. Chisholm do do .....	38
25. do 10, Rev. J. McDougall do do .....	39
26. do 11, Rev. D. McIsaac do .....	39
27. do 12, A. F. McGillivray do No Report.....	40
28. do 13, Rev. M. McKenzie do .....	41

NEW BRUNSWICK SUPERINTENDENCIES.

	PAGE.
No. 29. North-Eastern Superintendency, Chas. Sargent, Visiting Superintendent.....	41.
30. South-Western do Wm. Fisher do .....	42

PRINCE EDWARD ISLAND SUPERINTENDENCY.

No. 31. Theop. Stewart, Visiting Superintendent. No Report.....	44
---	----

MANITOBA SUPERINTENDENCY.

No. 32. James F. Graham, Acting Superintendent.....	45
33. Robert Pither, Agent.....	46
34. George McPherson, Agent.....	48
35. H. Martineau do .....	49
36. D. Young do .....	50
37. F. Ogilvie do .....	52
38. Geo. Newcomb do No Report.....	53
39. L. Herchmer do do .....	53
40. E. McColl, Inspector of Agencies. Extract from Report.....	53

NORTH-WEST SUPERINTENDENCY.

No. 41. Hon. D. Laird, Indian Superintendent. ....	56
42. do do Extract from Letter of November 11 <sup>th</sup> , 1878.....	64
43. Capt. Allan McDonald, Agent, Treaty No. 4.....	65
44. M. G. Dickieson, do do 6. No Report.....	66
45. Lieut.-Col. McLeod, Commissioner, North-West Mounted Police. Extract from Report.	66

BRITISH COLUMBIA SUPERINTENDENCY.

No. 46. Victoria Superintendency, J. W. Powell, Indian Superintendent.....	68
47. Fraser River do Jas. Lenihan do .....	72

TABULAR STATEMENTS.

A. 1. Officers and Employés at Headquarters.....	83		
A. 2. do Outposts.....	84		
B. Analysed Balance Sheet of Indian Fund, with 62 Subsidiary Statements.....	89		
C. 1. Nova Scotia	} Statement of Revenue and Expenditure.....	163	
C. 2. New Brunswick			165
C. 3. Prince Edward Island			168
C. 4. British Columbia			178
C. 5. Manitoba and the North-West			
D. Statement of Indian Lands sold during the year, and Surveyed Surrendered Lands unsold	213		
E. Agricultural and Industrial Statistics.....	216		
F. School Returns.....	218		
G. Census Returns.....	227		

PART II.—DOMINION LANDS.

PAGE.

Surveyor General's Report.....	3
--------------------------------	---

APPENDICES TO THE ABOVE.

1. Report of Donald Codd, Esq., Agent of Dominion Lands, Winnipeg.....	11
2. Report of A. H. Whitcher, Esq., Inspector of Surveys.....	12
3. Report of A. L. Russell, Esq., D.L.S., Special Survey.....	13
4. Report of W. F. King, Esq., D.L.S., do .....	15
5. Report of J. S. Dennis, jun., Esq., D.L.S., do .....	21
6. Report of Montague Aldous, Esq., D.L.S., do .....	25
7. Schedules, &c. :—	
A. Shewing transactions of Dominion Lands Office at Winnipeg, and Branches .....	26
B. Shewing new Settlements formed.....	27
C. Statement of Sales, Ordnance and Admiralty Lands ..	28
D. Shewing Localities on account of which Moneys received, Ordnance and Admiralty Lands.	29
E. Shewing Receipts and Deposits, Ordnance and Admiralty Lands.....	30
F. Shewing amounts due and remaining unpaid, &c., Ordnance and Admiralty Lands.....	32
G. List of Ledgers in use containing Accounts of Purchasers and Tenants, Ordnance and Admiralty Lands.....	33
H. Shewing Indian Reserves surveyed.....	34
J. Shewing Surveyors employed in Dominion Land and Indian Reserve Surveys.....	35
8. Examples of Astronomical Observations, &c., &c., Special Survey...	36
9. Map illustrating operations of Special Survey.	

PART III.—SPECIAL APPENDIX.

1. Provisional Report of Dr. Robert Bell, Geological Survey, on the Valley of the Nelson River.....	3
---	---



---

---

**REPORT**  
**OF THE**  
**DEPARTMENT OF THE INTERIOR**  
**FOR THE**  
**YEAR ENDING 30TH JUNE, 1878.**

---

*To His Excellency the Right Honorable Sir JOHN DOUGLAS SUTHERLAND CAMPBELL,  
Marquis of Lorne, Governor-General of Canada, &c., &c.*

**MAY IT PLEASE YOUR EXCELLENCY,—**

I have the honor to lay before Your Excellency the Report of the Department of the Interior, for the year ended 30th June, 1878.

This Report, although nominally confined to business transacted within the statutory fiscal year, will be observed to contain, in conformity with the practice which has prevailed since the organization of the Department in July, 1873, an account of everything of importance transpiring in connection with Indian Affairs, up to the close of the calendar year, and in connection with the Surveyor-General's Branch, up to the 31st October.

During the early portion of the year, owing to the death of Lieutenant-Colonel W. F. Coffin, Commissioner of Ordnance and Admiralty Lands, the branch over which that gentleman presided with so much zeal and ability, was merged in the Dominion Lands Branch, and the duties so long and satisfactorily performed by the late Commissioner accordingly devolved upon the Surveyor-General.

In the month of November last, the charge of the North-West Mounted Police was transferred to this Department, from the Department of the Secretary of State; so that the several Branches through which the operations of the Department of the Interior are conducted, now stand as follows:—

North-West Territories.  
District of Keewatin.  
Indians and Indian Lands.  
Dominion Lands,  
Geological Survey.  
North-West Mounted Police.

The General Appendices accompanying this Report consist, as usual, of the Reports of the Heads of Branches at the seat of Government, with the reports of their several subordinate officers and agents in the different Provinces of the Dominion.

In consequence of the abolition of the Ordnance and Admiralty Lands Branch, and the devolution upon the Surveyor-General of the duties formerly discharged by the Commissioner, the usual account of the transactions of the year in that class of public lands is incorporated in the Report of the Dominion Lands Branch, and no longer appears separately.

The results of the investigations conducted by the staff of the Geological Survey, under the direction of Professor Selwyn, F.R.S., will be laid before Parliament, as usual, in a separate volume. A *resume* of the transactions of the Survey, however, is herewith submitted.

The North-West Mounted Police Branch having been so recently attached to this Department, the Report for the past year of Lieutenant-Colonel MacLeod, the Commissioner, has been submitted to Your Excellency by the Secretary of State.

#### NORTH-WEST TERRITORIES.

There has been a considerable influx of population into Manitoba and the North-West Territories during the year, the immigration being very largely directed to the flourishing settlements at Pembina Mountain, Prince Albert, and the Little Saskatchewan.

In April ast, a valuable addition was made to the North-West Council in the appointment of Mr. Pascal Breland, a half-breed native of the Territories.

That body, therefore, now consists of the Lieutenant-Governor and four Councillors,—Messrs. Ryan and Richardson, Stipendiary Magistrates, members *ex officio*; Lieutenant-Colonel MacLeod, C.M.G., Commissioner of North-West Mounted Police, and Mr. P. Breland, trader.

On the 10th July, His Honor Lieutenant-Governor Laird convened the Council for the transaction of legislative business. The session closed on the 2nd of August, on which day, all the members being present, eleven Ordinances were finally passed. These Ordinances were duly transmitted through the Secretary of State to this Department, and copies thereof were laid before both Houses of Parliament a few days ago, as required by law.



The Lieutenant-Governor, Hon. Mr. Laird, finding his duties as Indian Superintendent to conflict somewhat with those devolving upon him as head of the Executive Government of the Territories, sent in his resignation of that office some time ago. Your Excellency was pleased to accept of the same, and Mr. M. G. Dickieson, Agent for Indian Treaty No. 6, is now provisionally in charge of the North-West Superintendency.

### INDIANS.

The opération of the Department during the past year in connection with Indian management in the older Provinces, as well as in the Provinces of British Columbia and Manitoba, and the North-West Territories, are fully treated of in the report of the Deputy Superintendent General, and in the reports of the various local Indian Superintendents and Agents, contained in General Appendix, Part I.

Notwithstanding that no new Indian treaties were negotiated during the year, and nothing occurred of any exceptional or special nature, there has been such an increase in the correspondence and general business of the Branch charged with the management of Indian affairs, as to tax to the utmost the energies of the Deputy Superintendent and his various officers.

#### INDIAN RESERVE, BRITISH COLUMBIA.

The most important of the past year's transactions was that connected with the allotment of reserves to the Indians of the interior of British Columbia.

It is gratifying to observe, from the report of Mr. G. M. Sproat, the Special Commissioner appointed to conduct this service, that satisfactory progress has been made, reserves having been set apart along the Fraser River from Yale to Lytton, and along the Thompson as far north as Hat Creek, as well as in the valleys of the Rivers Nicola and Similkameen.

The work was begun this year at a point near O'Soyoos, on the United States frontier, where it had been discontinued last year.

The Indian land question, within the territory extending 200 miles back from the coast, has been adjusted throughout the southern portion of the Province, and it may be said to have been done with much satisfaction to the Indians and with as little interference as possible with the claims of white people.

The Commissioner reports that the Indians did not express any dissatisfaction at the reduction made by the Order in Council of the 8th March, 1878, in the number of the Commissioners appointed in the first instance to allot their reserves; but on

the contrary, they seemed better satisfied to deal with one white chief than with three, the respective duties and positions of whom, on the Board, they did not understand.

Two surveying parties were employed during the past season in surveying the boundaries of the reserves allotted by the Commissioners in 1877, and satisfactory progress has been made in that work.

It is due to Mr. Sproat, the Commissioner at present employed in allotting the reserves, to state that the work connected therewith appears to be conducted by him with a proper regard to efficiency and economy.

Attendant upon the work of apportioning the reserves, the inauguration of a new system of administering Indian affairs in British Columbia will be necessary, as the existing one is found to be defective, and would be quite unsuited to the condition of affairs incident upon the transfer of the readjusted reserves to the Dominion.

#### INDIAN FISHING RIGHTS IN BRITISH COLUMBIA.

Intense jealousy exists in the minds of the Indians of British Columbia respecting their fishing rights, and they complain bitterly of interference on the part of white fishermen and fish canning companies with these rights at certain stations, where they have for years fished unmolested, and which they had learned to consider their own exclusive property.

Great care will be necessary in dealing with a question of so delicate a nature as is involved in fishing rights claimed by these semi-barbarous tribes.

Correspondence relative to this question has already passed between this Department and the Department of Marine and Fisheries.

#### INDIANS OF THE NORTH-WEST.

The rapid disappearance of the buffalo, which is the staple article of food of the Indians and half-breeds of the North-West Territories, induces the belief that these people must in a few years be fed at the expense of the country, unless they in the meantime acquire some other means of subsistence than the buffalo hunt now affords. In order to enable them to become self-supporting as soon as possible, facilities must be provided by which they may acquire some practical knowledge of agriculture and of the care of stock.

They will probably require some small supply of provisions each year while they are engaged in tilling and sowing their lands. Such assistance, however, should only be extended to those Indians who prove to be in earnest in endeavoring to become self-subsisting.

The bands in the vicinity of the Rocky Mountains appear to prefer stock raising to agriculture, and they will be encouraged to become owners of herds of cattle.

#### MANITOBA AND KEEWAYDIN.

The Indians of Manitoba, Keewaydin, and those whose reserves are in the vicinity of Lake Manitoba, will not be so seriously affected by the disappearance of the buffalo, inasmuch as they depend principally upon fish and game, together with root crops, for their subsistence.

#### REFUGEE INDIANS FROM THE UNITED STATES.

I regret to have to report that no disposition has been shown by Sitting Bull and the other Indian chiefs and warriors from the United States, who took refuge in the Dominion in 1877, to return to their own country and to their proper allegiance.

I am not without hopes, however, that the necessity for their moving southerly in order to obtain subsistence, which is not unlikely to arise at an early period in consequence, as reported, of recent extensive migrations of the buffalo from Canadian to United States Territory, may bring about an opportunity which may be successfully availed of by the Government of the United States to make peace with these Indians, who, it is only just to them to say, have behaved remarkably well ever since they crossed into Canada.

#### DOMINION LANDS.

The returns for the past year indicate that the transactions in these lands have increased so rapidly as nearly to equal those of the three previous years taken together, the area entered shewing a total of 682,591 acres. This is also an increase of nearly 75 per cent. over the previous year.

#### HALF-BREED LAND GRANT.

The allotment of the land set apart for the half-breed children in Manitoba has been effected for the parishes of Ste. Agathe and St. Charles, but five parishes remain for which allotments are yet to be made.

Scrip to half-breed heads of families and their heirs, also in commutation of hay and common right, and to original white settlers, was issued for 375 claims, amounting to \$62,538.

The number of patents issued during the year was 2,357.

## ORDNANCE AND ADMIRALTY LANDS.

Owing to the continued commercial depression throughout the country, it was not deemed expedient to make any extensive sales. To this, more than to arrears of payment of land dues, is to be attributed the decrease which appears in the annual revenue from these lands. The receipts for the year amounted to \$46,255.62.

## SURVEYS.

The needs of settlement hitherto having been sufficiently met by the large area that had been previously laid out into townships, but little additional township subdivision was done this year, three surveys only, in the vicinity of Prince Albert settlement, in the North-West Territory, covering ten townships, having been given out.

Satisfactory progress was made with the special survey of standard meridians and parallels, a total length of four hundred miles of line having been established and marked in the field.

Surveys of the settlements of Prince Albert and St. Laurent, on the Saskatchewan, in the North-West Territory, were made; also a small survey involving the alteration of certain lines in the settlement belt in the Parish of Ste. Agathe, in Manitoba. In that Province the survey of highways was continued during the year, 193 miles being reported as having been completed.

## GEOLOGICAL SURVEY OF CANADA 1878.

The progress of the work of the geological and natural history survey has been satisfactory.

The limited amount of the annual appropriation, however, alluded to in the last report of the Department, still continued to prevent the scope and objects of the survey, as laid down in the "Act to make better provision respecting the Geological and Natural History Survey of Canada, and for the maintenance of the Museum in connection therewith," from being carried out.

## PARIS EXHIBITION.

Early in February the Director left Montreal for Paris, to superintend the arrangement of the mineral and geological collections sent from the Dominion to the Universal Exhibition, and to attend the meetings of the International Geological Congress, which assembled in August. He arrived in Paris on the 25th February, and with the exception of a short absence in the latter part of August and the beginning of September, was in daily attendance at the Exhibition, or engaged on work connected with it up to the 29th of November.

The highest prizes, viz., diplomas, equal to gold medals, were awarded to the Canadian geological maps and collections.

His Royal Highness the Prince of Wales, in his capacity as President of the British Commission, requested Mr. Selwyn to act as British Juror in class XVI., maps and geographical and cosmographical apparatus, and he was elected president of this jury, involving a very considerable amount of daily arduous work from the first meeting of the jury on the 10th of June till the termination of its labors in August.

#### SEASON'S OPERATIONS.

Complete arrangements having been made by the director before leaving Canada for the season's operations of the survey, no trouble in the work has arisen from his prolonged absence, from the 3rd of February to the 30th of December.

Surveys and explorations have been carried on during the year in the following localities:—

1. British Columbia:—In the Queen Charlotte and Vancouver Islands.
2. The North-West Territories:—Eastern shore of Lake Winnipeg, and the Nelson River and the Hayes' River routes to Fort York, on Hudson's Bay.
3. Quebec:—In Ottawa County, the Eastern Townships, the Lower St. Lawrence and the Schickschock Mountains.
4. New Brunswick:—In Albert, Westmoreland, Kings, St. John and Charlotte Counties.
5. Nova Scotia:—In Cape Breton, Richmond, Inverness and Guysboro' Counties.

#### BRITISH COLUMBIA.

In British Columbia the greater part of the season was devoted by Dr. G. M. Dawson to a geological and geographical exploration and survey of a part of the Queen Charlotte Islands, with special reference to the deposits of anthracite coal which occur at Skidegate.

Attention was also paid to the climate and natural resources of the islands, including the fisheries. It was found necessary to carry a running survey along the eastern and northern coasts.

This, when laid down, will form a trustworthy map on which many harbors and inlets not previously known are represented.

An examination was also made of the coal measure rocks of Quatsino Sound, on the west coast of Vancouver Island, and also those extending from Beaver Harbor to the Nimkish River. It would appear that, besides these, there are several small basins of similiar rocks on Vancouver Island, and on the mainland adjacent which have not yet been examined, but in some of which workable coal seams may yet be formed.

## VALLEY OF THE NELSON RIVER.

From Norway House to Fort York, on Hudson's Bay, a track survey has been made by Dr. R. Bell of the route *viâ* Oxford and Knee Lakes, and Hill, Steel and Hayes' Rivers. A similar survey with numerous soundings was also made off the mouth of the Nelson River, and up it for a distance of about ninety miles, or to the first rapids.

An instrumental survey was made of the immediate neighborhood of York Factory, and the latitude and magnetic variation determined.

Returning to Norway House a survey was carried from Lake Winnipeg down the Nelson River to a point about half-way to the sea, a distance, following the bends of the river, of about 200 miles, leaving a portion, probably of about 100 miles, unsurveyed.

On Lake Winnipeg the eastern shore was examined and a track survey made of it from the outlet at the Nelson River to the Dog's Head Narrows, a distance of about 170 miles, connecting with the previous examination from the south made in 1874. From the Narrows, the western shore was followed and similarly surveyed for a distance of about 70 miles, or to a point some distance south of that reached by the Dominion land surveys from Red River.

In addition to the ordinary general appendices, there will be found accompanying this Report a special appendix, consisting of a summary of the observations of Dr. Bell, in connection with the above service.

Dr. Bell's provisional report contains, in addition to the specific data he was commissioned to collect, much that is new, instructive, and interesting with respect to the tract of country lying between the outlet of Lake Winnipeg at Norway House, and the mouths of the Hayes, Nelson, and Churchill Rivers. The positive information he is enabled to give with respect to its climate and producing capacities is gratifying, and dispels many of the popular impressions which formerly prevailed regarding that region.

## PROVINCE OF QUEBEC.

In Quebec, Mr. H. G. Vennor's attention has been devoted to carefully tracing out and mapping the distribution of the phosphate-bearing rocks. These have now been followed in a northerly direction to a point nearly 96 miles from the Ottawa River, and eastward to the Township of Grenville.

The area over which workable deposits of phosphate may probably be discovered is thus greatly extended, and the particular belt of country within which such deposits should be sought can be very closely indicated.

Neither its eastern nor western limits have, however, yet been ascertained, but there appears to be good ground for predicting that the phosphate belt will be found to recur in the region between Lake Nipissing and the Georgian Bay, as well as in portions of the country to the north and north-east of Grenville.

#### NEW BRUNSWICK.

In New Brunswick, the surveys have included about 930 miles of measurements of coast line, roads and streams, and large and interesting collections of rocks and fossils have been made.

#### NOVA SCOTIA.

In Nova Scotia, the topographical survey of Cumberland County was continued by Mr. Scott Barlow. About 75 miles of the coast line on the Bay of Fundy and the Basin of Mines were carefully measured, completing the survey of the south and west shores of Cumberland County, with the exception of about ten miles around Cape Chignecto. The principal roads and brooks were likewise measured, about 400 miles in all being thus surveyed. A number of interesting geological specimens, rocks, and fossils, were collected, but the geological structure of the district has yet to be worked out, the topographical survey being an essential preliminary operation.

In Cape Breton Island, the combined geological and topographical survey has been continued by Mr. Fletcher, the work having now embraced nearly the whole of the Counties of Cape Breton and Richmond, and a portion of Victoria and Inverness, forming a connected survey from Sydney and Louisburg to the Straits of Canso. The survey was also carried during the past season to the west side of the Straits of Canso, including the tract of country lying north of Chedabucto Bay, and eastward of a line from Guysboro' Harbour to Little Tracadie. The detailed reports of the season's work are now being prepared, and will be published as early as possible.

#### PALÆONTOLOGICAL RESEARCHES.

The second part of the first volume of Canadian Mesozoic Fossils has been completed, and is now in the press. It contains rather more than 100 octavo pages of text, and is illustrated by ten lithographic plates. It was hoped that this report would have been issued before the close of the year, but its publication has been delayed in consequence of the illness of the artist, Mr. A. H. Poord, before the last two plates were finished.

In compliance with a request from Mr. Alex. Murray, Director of the Geological Survey of Newfoundland, a collection of fossils from the Menevian Acadian Groups of the south-eastern extremity of that Island has been examined and reported on, and a short paper on some of the specimens has been contributed to the September number of the American Journal of Science and Arts.

---

As far as possible duplicates of each of the species have been retained for the museum, and the rest have been determined, labelled and returned to Mr. Murray.

During the early part of September a week was spent in collecting fossils from the limestone of the levis formation in the vicinity of Bedford, St. Armand and Phillipsburg. A large and interesting collection was also made during the summer by Mr. Weston from the same formation, in the Gaspé Peninsula.

The lower siliman fossils of Manitoba in the museum of the survey have been mounted, classified and partly studied, as have also a number of Devonian corals, shells, &c., collected by Prof. Bell, in 1877, from the neighborhood of Hudson's Bay.

A series of lower cretacious and tertiary fossils from various parts of British Columbia have also been examined, and some notes on the species have been prepared for insertion in Dr. G. M. Dawson's report on his explorations and surveys in that Province.

A paper on the marine invertebrata, collected by Mr. Richardson in 1874-75, in the Gulf of Georgia, and off the coast of British Columbia, has been published in the last number of the Canadian Naturalist.

#### CHEMICAL AND MINERALOGICAL DEPARTMENT

In the Chemical and Mineralogical Department of the Survey much important work has been done, including the analysis of a number of minerals of scientific interest, and also the analysis or assay of various specimens of gold-bearing quartz, silver, copper, and iron ores, coals, &c. Among the minerals analyzed are several from the North Ottawa apatite region, which affords a field of much interest for mineralogical investigation. Collections of minerals from this region have been made by Dr. Harrington, and are now being studied by him and arranged in the museum.

During the year Mr. Hoffman has been almost exclusively occupied with the analysis of specimens of Canadian apatite. This mineral, as is well known, has of late been attracting much attention, and it was deemed very desirable that its true composition should be established by a series of complete analysis.

The catalogue of the economic minerals sent to the Paris Exposition, prepared by Dr. Harrington, includes, besides a list of the specimens exhibited, a series of articles containing a large amount of information relating to the mineral resources of the Dominion. It was translated in Paris and has been printed in French.



---

---

THE MUSEUM.

In the museum some improvements have been made during the year. The stratigraphical collection of rocks has been considerably enlarged, and ten new glass table show-cases with thirty drawers have been procured for their accommodation, and for that of the additional mineral collections.

Maps, showing the distribution of all the known economic minerals in the Dominion, have been prepared and are now exhibited in the museum.

A larger number than usual of valuable reports, maps, and memoirs have been presented to the library in exchange for the publications of the survey, of which 835 copies have been distributed.

Thirty-nine catalogued and named collections of Canadian minerals, rocks and fossils, containing over 2,000 specimens, have been presented to various educational institutions, scientific societies and individuals in the Dominion and in foreign countries.

During the year, 1899 persons visited the museum, being an increase of 247 as compared with the previous corresponding twelve months.

All of which is respectfully submitted.

JOHN A. MACDONALD

*Minister of the Interior.*

OTTAWA, 10th April, 1879.

---

---

PART I.

---

REPORT

THE

DEPUTY SUPERINTENDENT GENERAL

OF

INDIAN AFFAIRS.

---

---



## PART I.

PAPERS ACCOMPANYING THE REPORT OF THE DEPUTY SUPER-  
INTENDENT-GENERAL OF INDIAN AFFAIRS.

## REPORTS OF SUPERINTENDENTS AND AGENTS.

## ONTARIO SUPERINTENDENCIES.

No. 1.	Grand River Superintendency,	J. T. Gilkison,	Visiting Superintendent and Commissioner.
2.	Western	do	1st Division, E. Watson, Indian Superintendent.
3.	do	do	2nd do Thos. Gordon, Agent.
4.	Central	do	Wm. Plummer, Visiting Superintendent and Commissioner
5.	Northern	do	1st Division, J. C. Phipps, Visiting Superintendent.
6.	do	do	2nd do C. Skene, do
7.	do	do	3rd do Wm. Van Abbott, Indian Lands Agent.
8.	do	do	4th do Amos Wright, Agent.

## QUEBEC AGENCIES.

No. 9.	Caughnawaga Agency,	G. E. Cherrier,	Agent.
10.	Lake of Two Mountains Agency,	John McGirr,	Agent.
11.	St. Regis Agency,	John Davidson,	Agent.
12.	St. Francis	do	L. A. DeBlois, do
13.	Viger	do	A. LeBel, do No Report.
14.	Lake St. John,	do	L. E. Otis, do
15.	River Désert,	do	Patrick Moore, do

## NOVA SCOTIA AGENCIES.

No. 16.	District No. 1,	John Harlow,	Agent.	No Report.
17.	do	2,	J. E. Beckwith,	Agent.
18.	do	3,	Rev. Thos. Butler,	do
19.	do	4,	Rev. E. J. McCarthy,	Agent.
20.	do	5,	Rev. M. O'Connor,	do No Report.
21.	do	6,	Dr. McLean,	do do
22.	do	7,	A. F. Clark,	do do
23.	do	8,	Rev. R. McDonald,	do do
24.	do	9,	Rev. Wm. Onisholm,	do do
25.	do	10,	Rev. J. McDougall,	do do
26.	do	11,	Rev. D. McIsaac,	do do
27.	do	12,	A. F. McGillivray,	do do
28.	do	13,	Rev. M. McKenzie,	do do

## NEW BRUNSWICK SUPERINTENDENCIES.

No. 29.	North Eastern Superintendency,	Chas. Sargent,	Visiting Superintendent.
30.	South Western	do	Wm. Fisher, do

## PRINCE EDWARD ISLAND SUPERINTENDENCY.

No. 31.	Theop. Stewart,	Visiting Superintendent.	No Report.
---------	-----------------	--------------------------	------------

## MANITOBA SUPERINTENDENCY.

No. 32.	James F. Graham,	Acting Superintendent.
33.	Robert Pither,	Agent.
34.	George McPherson,	Agent.
35.	H. Martineau,	do
36.	D. Young,	do
37.	F. Ogiltree,	do
38.	Geo. Newcomb,	do No Report.
39.	L. Herchmer,	do do
40.	E. McColl,	Inspector of Agencies. Extract from Report.

## NORTH-WEST SUPERINTENDENCY.

- No. 41. Hon. D. Laird, Indian Superintendent.  
 42. do do Extract from Letter of November 11th, 1878.  
 43. Capt. Allan McDonald, Agent, Treaty No. 4.  
 44. M. G. Dickieson, do do 6. No Report.  
 45. Lieut.-Col. McLeod, Commissioner, North-West Mounted Police. Extract from Report.

## BRITISH COLUMBIA SUPERINTENDENCY.

- No. 46. Victoria Superintency, J. W. Powell, Indian Superintendent.  
 47. Fraser River do Jas. Lenihan, do

## TABULAR STATEMENTS.

- A. 1. Officers and Employés at Headquarters.  
 A. 2. do Outposts.  
 B. Analysed Balance Sheet of Indian Fund, with 62 Subsidiary Statements.  
 C. 1. Nova Scotia  
 C. 2. New Brunswick  
 C. 3. Prince Edward Island  
 C. 4. British Columbia  
 C. 5. Manitoba and the North-West  
 D. Statement of Indian Lands sold during the year, and Surveyed Surrendered Lands unsold.  
 E. Agricultural and Industrial Statistics.  
 F. School Return.  
 G. Census Returns.

---

---

---

REPORT  
OF THE  
DEPUTY SUPERINTENDENT-GENERAL  
OF  
INDIAN AFFAIRS.

---

DEPARTMENT OF THE INTERIOR,

INDIAN BRANCH,

OTTAWA, 31st December, 1878.

To the Right Honourable

Sir JOHN A. MACDONALD, K.C.B.,

Superintendent-General of Indian Affairs.

Sir,—I have the honor, in accordance with the regulations of the Department, to submit the following Report on Indian Affairs for the year, as regards the financial data contained therein, ended the 30th June, 1878, and in respect to matters of more general interest for the year ended this day.

The condition of the Indians settled on Reserves within the older Provinces is encouraging.

More inclination for, and greater progress in agriculture is observable among them.

Intemperance has become of more rare occurrence; and the physical health of the several Bands during the present year has been for the most part good.

In the newer Provinces and more remote Territories of the Dominion, Indians have not yet learned the value of agriculture. As, however, the game and fish on which they now rely for subsistence (notably the buffalo in the North-West and the salmon in British Columbia) become scarce, they must turn their attention to tilling the soil or raising stock to enable them to live.

And as there is every indication of these Indians at an early date being deprived of the staples of life above referred to, it becomes incumbent upon the Government to adopt early and energetic measures to prepare them for the change in their mode of living and sustaining themselves and families, which must inevitably take place, when they can no longer kill sufficient buffalo and fish wherewith to feed themselves and families.

Instructions in farming, or herding and raising cattle (as the character of the country inhabited by the different Tribes may indicate to be best) should be furnished to the Indians, and in such manner as will effectually accomplish, within the shortest period, the object sought for, namely, to make them self-supporting.

The Indians should be encouraged by precept, and, when necessary, by pecuniary aid to erect houses and barns.

The use of the tent and wigwam should be discouraged as much as possible, and every effort should be made to induce them to abandon their old habits of life and to adopt those of the White man.

Their Reserves should be subdivided into lots, and each head of a family should receive a location ticket, covering the land to which he is entitled (which land, of course, as stipulated under the Treaties is non-transferable.)

A school should be established on each of the Reserves, on which one has not already been established, as soon as there is a sufficient number of families settled thereon to warrant it; and competent teachers should be appointed to these schools, who should possess, besides their other attainments, a knowledge of farming, or of herding and raising cattle (as the circumstances of the country may require), and this knowledge should be utilized for the instruction of the Indians in either occupation.

The Indians of British Columbia are for the most part already self-supporting, and the work of rendering them entirely so cannot be effectually entered upon until the Reserves in that Province,—some of which have been, and the others are being allotted to the Indians by the Commissioners employed for that purpose—have been regularly transferred by the Provincial to the Dominion Government.

There is, however, nothing to prevent operations towards this much-to-be-desired end being initiated and vigorously prosecuted in the North-West Territories and in the Province of Manitoba, under the supervision of competent and reliable men, who, in turn, should have over them an Inspecting Officer, possessing the very best attainments, and of unimpeachable integrity, whose duty, among other matters, it would be to go from one Reserve to another and mark the progress being made by the Indians in their industries, and see that the men employed to instruct the Indians in farming or herding and raising stock attend to their duties.

The Inspecting Officer should also be the medium for the purchase of cattle, seed, implements, &c., for the Indians, and he should regulate the points and dates at which the payment of annuities shall be made. The dates of payment might be so arranged that the Inspecting Officer could be present at each point to hear any complaints that the Indians might have to make, see that everything was conducted properly, and, if possible, settle any differences that might arise and, if this were not possible, he could report the particulars to the Superintendent-General of Indian Affairs for decision.

The Inspecting Officer at present employed in connection with Indian matters within the territory covered by Treaties 1, 2, 3 and 5 would be quite equal to the duties thus demanded of him.

Another similar officer would be required for the territory covered by Treaties 4, 6 and 7, which fall within the North-West Superintendency; or as regards the Indians of Treaty No. 7, as well as for that portion of territory covered by Treaty No. 4, which lies west of "Old Wives Lake, the Commissioners of the North-West Mounted Police, at Fort MacLeod, or one of his subordinate officers, might act as Indian Inspector for the same.

#### SCHOOLS.

The erection of school houses on the four following Reserves within the Parry Sound District, Ontario, was authorized early in the present year, viz.: Parry Island, Shawanaga, Henvey's Inlet and Lake Nipissing.

Of these proposed school buildings, that at Parry Island has been built and the school is already in operation; the school house at Henvey's Inlet has been commenced, and will, it is expected, be completed early in the spring; and negotiations are being had with the Chief of the Shawanaga Band (who is an industrious and practical man) to build the school house on that reserve.

The Indians of Lake Nipissing, owing to the distance at which the different families composing the Band reside from each other, are debarred from the advantages of a school, as the Agent reports that no central point can be fixed upon in such close proximity to the various families as will admit of a sufficient number of children attending a school if established thereat.

Aid to the extent of \$100 per annum was promised by the Department to each of the schools above referred to when established; and the several Bands interested have each agreed to contribute a similar amount towards the teacher's salary.

Assistance at the rate of \$200 each per annum was promised to schools when established upon the following Reserves: at Blind River, Lacloche, and White Fish River. The same to be paid from the date at which the Department is advised that said schools are in operation (under competent teachers) with an average daily attendance of at least one quarter of the number of children of school age in the Band.

With the exception of the school on Blind River, none of these schools have yet been brought into operation.

The Ontario Government during the past year deposited to the credit of Indian funds the sum of \$1,598.45 (being the unexpended balance of the surplus municipal fund of that Province apportioned to the Wikwemikong Indians of Manitoulin Island); with the object of the sum in question being appropriated towards making repairs and additions to the school buildings at Wikwemikong; the work to be paid for on receipt of certificates of progress from the Indian Superintendent at Manitowaning.

Two new school houses were erected on the Tyendinaga Reserve, at an expense to the Mohawk Band at that place of \$350.00 and \$335.00 respectively, to replace one that was destroyed by fire, and another which had become too dilapidated through age for further use.

A new school house is being erected by the Pottawattamies on Walpole Island; the Department agreeing to advance, from the funds of that Band, the sum of \$75.00 towards the same; the Indians to pay the balance by subscriptions.

The Christian Island Band is also erecting, at a cost to their funds of \$460.00, a building containing accommodation both for school purposes and for council meetings.

The Indians of Cockburn Island, wishing to have a school for their children during the winter, the number of those of school age being however but 15, applied through the Local Superintendent for a grant of \$50 towards the teacher's salary during the winter months (the Indians agreeing to board and lodge the teacher.) The grant asked for has been promised, and will be paid upon receipt of returns showing the attendance at the school.

I am pleased to be able to report the practical interest displayed by the Six Nation Indian Council in their schools, of which there are 11 upon their Reserves. The Six Nations had until recently contributed nothing towards the support of these schools:—the same being, with the exception of a small grant to each of \$50 per annum from the general school fund of the Department, entirely sustained (9) by the New England Company, and (2) by the Wesleyan Methodist Society.

The Six Nation Indian Council, however, recently voted the sum of \$1,500 per annum towards the support of these schools; the New England Company to contribute a similar amount, and the Wesleyan Methodist Society to continue their present contribution of \$400, if they will not agree to augment it; and the Department to continue its contribution of \$550 per annum.

A new School Board was established, consisting of three representatives of the New England Company, and three of the Six Nations, with their Superintendent. And should the Wesleyan Methodist Society unite in the scheme, that body will be allowed one representative on the Board.

This arrangement having been submitted to His Excellency in Council, it was approved of by Order in Council of the 18th November last.

The Mohawk Institute near Brantford is also conducted in the interests of the Six Nation and other Indians, under the auspices and at the expense of the New England Company. It is an industrial and boarding school whereat the male pupils are taught, besides the ordinary branches of education, farming and the different trades, and the girls learn sewing, tailoring, knitting and housewifery.

I had the pleasure last spring of visiting this Institution, and gladly place on record



the gratification it afforded me, to see how efficiently the Institution was conducted, under the active supervision of Mr. Ashton, the Principal, and his assistants.

The children looked healthy, clean, well-dressed, and quite contented.

Mr. Ashton was good enough to have them examined before me in their several studies; and I have much pleasure in stating that their proficiency in the several branches of education is remarkable, and would be considered creditable even for White children.

The cleanliness and comfort which characterizes all the different departments of the Institution is exceedingly praiseworthy; and one could not but feel thankful that, outside of the Department, there should be a company having such a deep interest in the welfare of the Indian race as to found an Institution of the kind, for the benefit of the rising generation of Indians.

His Excellency was pleased, by Order in Council of the 13th December last, to direct that a grant of \$600 per annum made by Order in Council of the 5th December, 1873, for the maintenance of several aged and infirm Indians of the Chippewa Indian Band in an Infirmary, which it was proposed to establish in connection with the Shingwauk Home at Sault Ste. Marie, but which was never brought into operation, should be diverted from that object, and applied for the current year towards the building of a new industrial Institution for Indian girls, now in course of erection near Sault Ste. Marie, which is known as the Wa-wa-nosh Home; said amount to be subsequently applied annually towards the educational and industrial training of 15 pupils at that Institution at the rate of \$40 each.

The Institution is already in operation, one wing of the proposed building having been erected; and it is expected that the building will be completed, and the Institution thoroughly organized at an early date.

I referred in my report of last year to the good work being done by the other Industrial School, known as the Shingwauk Home (now devoted entirely to the training of Indian boys) near Sault Ste Marie; which Institution, as well as that for girls just referred to, is under the able management of the Rev. Mr. Wilson.

The school on the Bear River Reserve, in the County of Annapolis, Nova Scotia, which I stated in my report of last year had been closed, was, I am happy now to be able to state, re-opened last spring, and is reported by the Agent to be efficiently conducted.

The school on the Reserve at Eskasonie, in the County of Cape Breton, Nova Scotia, was closed during the interval between the discharge of one teacher and the engagement of another. The school is again, however, in operation, and is apparently conducted with efficiency.

A movement has been inaugurated towards establishing a school on the Reserve near Memramcook, in the County of Westmoreland, New Brunswick, and it is hoped that the same will be carried to a successful issue.

Application has been made through the local agent at Fort Francis to have four schools established on the following Reserves: at the Forks, Long Sault Rapids, Lac Seul, and Mattawan; which Reserves are situated within the limits covered by Treaty No. 3.

On the two first above named Reserves schools had been established by the Church Missionary Society; but owing to some disagreement between the Indians and the teachers, or in consequence of the Indians having taken offence at their not having been consulted by the Church Missionary Society before they established the schools, they objected to their being continued, and consequently they had to be abandoned.

As soon as certain information, which has been asked for, has been furnished by the Agent at Fort Francis, the question of establishing schools at the points above mentioned will be submitted for consideration.

Under authority of an Order in Council of the 17th of July last, a school was established on the Broken Head River Reserve, within the territory covered by Treaty No. 1.

In addition to his other attainments, it is required that the teacher of this school shall possess a knowledge of farming, in order that he may give instructions to the Indians in that art.

A school was also established at the Pas, in the Cumberland District, within the territory covered by Treaty No. 5.

The same additional requirements in the teacher of this school was also insisted upon, as in the case of the school just before referred to.

Under authority of an Order in Council of the 30th September, 1878, a school was authorized to be established on the Reserve near Islington, at the confluence of the White Dog and Winnipeg Rivers, within the limits of Treaty No. 3.

The teacher of this school is also required to possess, besides the usual attainments, a knowledge of farming, and to give instructions therein to the Indians.

The North St. Peters school was closed in February by the Trustees, owing, they assert, to the immoral character of the teacher.

The school was not re-opened until the month of June, when a new teacher was put in charge of it.

The closing of this school caused much dissatisfaction among the Indians; but inasmuch as it was supported jointly by the Church Missionary Society and by the Department, and was attended by White as well as Indian children, and the school house, it is understood, stands upon land owned by the Church Missionary Society, the Department could not interfere with the action of the trustees in closing it.

Since the school has been re-opened, it appears from reports received to be in a flourishing condition, and to be attended by quite a number of Indian children.

I am happy to report that some of the Indians of New Brunswick appear anxious to have schools established among them. It is, however, difficult to induce them to assist in erecting the buildings required for the schools.

Quarterly Returns have been regularly received from the various schools supported by the Indian Branch of your Department.

#### *Ontario.*

Negotiations were had with the Government of Ontario, with a view to induce that Government to assist in the construction of a road traversing the Batchewana Bay tract on Lake Superior, within which the Department has several townships containing lands well adapted for settlement; but which, owing to the want of communication with other parts of the country, have been hitherto unsaleable. I am happy to say that the negotiations were successful; the Government of Ontario agreeing to bear one half of the expense of the construction of the proposed road, on the condition that the road be made gradually, and that a larger sum than \$2,000 be not expended annually thereon; of which amount the Ontario Government will contribute one half, and the Department the balance.

This road will connect with the Grand Northern Road from the Bruce Mines to Sault Ste. Marie.

The work of constructing the road in question, which was commenced during the past summer, will be resumed next spring, and will be continued from year to year, until the whole road is completed.

The lands within the townships through which the road will pass, will doubtless be settled as fast as the road is made.

The Government of Ontario, by an Order in Council dated 31st December, 1877, vested in the Government of the Dominion, in trust for the Ojibibeway Band at Shawanaga, lots 34 and 35 in the 7th concession of that township; the same to be held for the use of said Indians for so long a time as they shall continue to occupy them.

An occasion for this grant arose from the fact that the Band in question had erected houses and had made gardens upon those two lots, erroneously supposing that they formed part of their Reserve; from which the said lots are, however, some miles distant; and the Ontario Government generously concluded not to disturb the Indians in their occupation of the same.

The Indian Lands Agency, which I stated in my report of last year was to be established at Wiarton, in the County of Bruce, was opened for business on the 1st of January, 1878, under the charge of Mr. B. B. Miller.

A great advantage is thus afforded the purchasers of Indian lands in the Counties of Bruce and Grey in the Saugeen Peninsula by having the Agency for the sale of those lands so conveniently situated.

The timber limits within the townships of Penefather, Kars, Aweros, and part of Vankoughnet, composing altogether 88 square miles, having been offered to competition among several applicants, were sold to Messrs. McDonald & Sills, of Toronto; their offer being the most advantageous received, namely, a bonus of \$724 in addition to ground rent and dues, which are to be paid according to tariff.

The wharf and storehouse belonging to the Department at Manitowaning, on the Manitoulin Island, were repaired, and a lease thereof for three years was issued to a responsible person at the rate of \$150 per annum, with the understanding that his charges for storage and wharfage should not exceed the rates mentioned in a tariff submitted and approved of by the Department.

Many of the Islands in the River St. Lawrence and Lake St. Francis, belonging to the Iroquois of St. Regis, having become vacant, owing to the expiration of the leases of the same, it was considered advisable to have an inspection made of those Islands.

This service was performed by the Indian Agent stationed at Dundee, and several of those Islands have since been leased at remunerative rates.

Assistance was given to the extent of \$986, towards the improvement of roads, in the vicinity of the village of Kagawong and Kagawong Lake, on the Manitoulin Island; with a view to open up for settlement a quantity of good land in that locality, which will no doubt be soon taken up, owing to the better road accommodation now afforded.

In consequence of the increased demands for lands on Manitoulin, Cockburn and Barrie Islands, surveys were made of three townships on the first named Island; and the lands on the two last named Islands were also surveyed.

Mr. Charles B. Savage was appointed Indian Lands Agent at Gore Bay, Manitoulin Island, which is in the vicinity of the lands lately surveyed.

He has also within his Agency the lands in the town plot of Gore Bay, and also those in the adjoining township of Gordon.

Mr. Savage is remunerated for his services by the usual percentage on receipts, and a salary of \$200 per annum.

The whole amount of his income is not, however, to exceed \$600 per annum.

The Mississagua Indians of Alnwick, in the County of Northumberland, having expressed a desire that the portions of their Reserve proposed to be leased for their benefit should be surveyed, a sub-division survey of the said lands was authorized, and is now being made.

The lands in question have been hitherto leased by the Indians themselves at unremunerative rates. Leases granted by Indians being illegal, it was considered advisable to obtain a surrender of the lands from the Indians, with a view to their being regularly leased by the Department at profitable rates for their benefit.

A very important claim has been made by the Mississagua Indians of Rice, Mud and Scugog Lakes, as well as by the Chippewas of Lakes Huron and Simcoe, to a very large tract of land lying north of the 45th degree of latitude and extending between the Ottawa River on the east, and a line due south from Lake Nipissing on the west. These Indians assert that they never surrendered the land in question; and no record can be found among the archives of this Department, or among those in the Crown Lands Department of the Province of Ontario, of any surrender of the tract.

The assertion of the Indians is consequently so far borne out; and they would appear to be entitled to compensation for the lands included within the tract described.

These lands for the most part have been surveyed and comprise many townships; and much of the land was sold by the Government of the late Province of Canada, and since Confederation by the Government of Ontario to settlers, and the timber thereon to a large extent has been disposed of to lumberers.

The Ojibway Band of Indians, who, in the year 1859 surrendered the Reserve which belonged to them, and which is situated on the Thessalon River, on the north shore of Lake Huron, on the understanding that they would remove to the Garden River Reserve near Sault Ste. Marie, and that the land covered by the surrender was to be sold for their benefit—having failed to take up land on the Garden River Reserve, as proposed, and the tract surrendered by them on the Thessalon River having been surveyed as stated in my Report of last year, and the lands brought into market—petitioned the Government to be allowed to re-occupy a portion of their former Reserve; and His Excellency was pleased, by Order in Council of the 8th October last, to direct that they should be allowed to re-occupy 2,327 acres of the same.

Dr. Tye, of Thamesville, was appointed medical attendant to the Moravians of the Thames, at a salary of \$150 per annum, payable from the funds of the Band; and Dr. Sinclair, of Longwood, was appointed medical attendant to the Chippewas and the Munceys of the Thames, at a salary of \$200 per annum, payable from the funds of those Bands.

On the 19th of May, 1878, the Mississaguas of Scugog surrendered 400 acres of their Reserve, consisting of lots 6 and 7 in the 11th Concession of Scugog, to be leased for their benefit. The land in question had been for a length of time previously leased in several small parcels in an irregular and illegal manner to White people, by the individual Indian claimants; and the object of the surrender was, that the Department might lease the same on the most advantageous terms, and the rents received might be paid to the individual Indians to whom the land had been allotted. A subdivision survey of the lands has been ordered to be made, in order to prevent difficulties and contentions between the lessees. The lowest rate obtainable for the cleared portion of the land is \$3 per acre.

A change was made in the Western Superintendency of this Province, by the resignation of Mr. Robert McKenzie, the former Superintendent, and the appointment of Mr. Ebenezer Watson to that position, Mr. Watson's salary being placed at \$1,300 per annum, with \$100 per annum for travelling expenses.

#### QUEBEC.

Instructions were sent from this office in October, to the Department of Crown Lands of Quebec, to have the boundaries of the Reserve at LaTuke, on the St. Maurice, which consists of five miles square, surveyed.

This Reserve was directed, by Order in Council of the 8th June, 1854, to be made for the Algonquins and Tetes de Boule Indians who frequent the shore of the St. Maurice and its tributaries, and for the Abenakis of Becancour and St. François du Lac, who reside respectively in the Counties of Nicolet and Yamaska.

It was one of the Reserves instituted by said Order in Council for the Indians of Lower Canada, under authority of the Act 14 and 15 Vic., Cap. 106, but no instructions were given until recently for a survey of the boundaries of the Reserve in question.

Owing to the distance at which Dr. H. A. Martin, Medical Attendant to the Micmacs of Restigouche resided from their Reserve, His Excellency was pleased, by Order in Council of the 6th June, 1878, to dispense with Dr. Martin's services, and to appoint Dr. Vennor of Campbelltown, on the opposite side of the Restigouche River his successor, at the same salary, namely, \$100 per annum.

In view of the low price of furs, scarcity of game, difficulty on the part of the Indians to conform to the new mode of fishing under the existing laws, and from other causes, the Department found it necessary to furnish more relief than usual to the Indians of the Lower St. Lawrence and elsewhere in the Province of Quebec this Fall.

And inasmuch as the fund at the disposal of the Department, for relief purposes in the Province of Quebec, was insufficient to admit of any augmentation to the usual grants, His Excellency was pleased, by Order in Council of the 21st November last, to sanction additional relief to the extent of \$2,000, being contributed, under a special warrant of His Excellency, in anticipation of the Supplementary Estimates for 1878-9, to be submitted to Parliament at its next Session.

Additional relief has accordingly been extended to the Indians at points where it was most needed.

A number of the Indians at Caughnawaga have applied for enfranchisement. It is desirable to afford every facility to Indians to enable them to take advantage of the clauses of the Indian Act which provide for their enfranchisement under certain conditions; and as a necessary preliminary in the case in point, the Reserve must be surveyed, and a fair proportion of land allotted to each individual applicant, who may be considered by the Band worth of enfranchisement, the Act requiring as a first step towards the carrying out of its provisions, that the Band shall allot a fair proportion of land within the Reserve to each applicant; said allotment to be approved by the Superintendent-General of Indian Affairs.

It having become necessary, in consequence of changes made in the proprietorship of many of the lots leased to the White people within the Seigniorship of Sault Ste. Louis, which belongs to the Iroquois of Caughnawaga, to rectify the various holdings as shewn on the cadastre of that Seigniorship, instructions were given in September last to the Agent to have this service done. No report however respecting the work has as yet been received.

Small-pox having made its appearance at Caughnawaga and at the Lake of Two Mountains early in the season, the spread of that loathsome disease was promptly checked by the general vaccination of the Indians at each of those places.

#### NOVA SCOTIA.

The two Reserves in the County of Cape Breton, near Sydney, containing respectively 2 $\frac{1}{2}$  and 536 acres of land, and which are referred to in my report of last year, were surveyed during the past season, and steps have been taken to have the same regularly transferred by the Provincial to the Dominion Government for the use of the Indians.

It was considered advisable, in the interests of the Indians of this Province, to subdivide the former Agencies, each of which included several counties, into smaller districts, with a view to closer supervision being exercised over the Indians in each county.

The following appointments to Agencies were accordingly made by Order in Council of the 23rd May last:—Mr. G. E. Beckwith, of Cornwallis, was appointed Agent for Kings County, at a salary of \$25.00 per annum; the Rev. Thomas Butler of Caledonia, for Queens County, at \$37.50 per annum; the Rev. E. I. McCarthy, of Chester, for Lunenburg County, at \$37.50 per annum; the Rev. D. O'Connor, of Bedford, for Halifax County, at \$33.33 per annum; Dr. McLean of Shubenacadie, for Hants and Colchester Counties, at \$33.33 per annum; Dr. A. F. Clarke of Parsboro, for Cumberland County, at \$33.33 per annum; Rev. Mr. McKenzie, of Christmas Islands, for Cape Breton County, at \$100 per annum; Rev. Donald McIsaac, of River Inhabitants, for the County of Inverness, at \$50 per annum; Rev. A. F. McGillivray, of Grand Narrows, for Victoria County, at a salary of \$50 per annum.

#### NEW BRUNSWICK.

The timber which I stated in my Report of last year it was proposed to sell on certain Reserves in this Province, was brought into the market and sold fairly, considering the state of the timber trade.

The distance of the Reserves on the Tobique River, in the County of Victoria, and at the confluence of the Rivers Iroquois and St. John, in the County of

Madawaska, from Fredericton, the place of residence of the Indian Superintendent for these and other Reserves on the same side of the Province, being found a serious impediment to the proper administration of the business connected with these Reserves, a local agent was appointed by Order in Council of the 23rd December, 1878, at a salary of \$100 per annum, to reside near the Tobique Reserve, and to supervise the affairs of the Bands on both Reserves; the salary of the Superintendent at Fredericton being proportionately reduced.

#### PRINCE EDWARD ISLAND.

A new road was opened upon the Reserve on Lennox Island.

A number of good lots of land front on this road, and offer opportunities to the young men of the Band who have not already taken up land for farming purposes to do so, with the advantage of road accommodation in connection with their farms.

It was considered advisable, in view of the distance at which the late Indian Superintendent, Mr. T. Stewart, of Charlottetown, resided from Lennox Island, which is the principal Reserve in that Province, and in view of that gentleman's advanced age, to relieve him of the duties devolving upon him as Superintendent, and to appoint a resident Superintendent on Lennox Island, who should also perform the duties of school teacher to the Indian children and instructor in farming to the Indians.

Mr. John O. Arsenault, of Egmont Bay, was accordingly appointed, by Order in Council of the 2nd July, 1878, at a salary of \$500 per annum, being the amount of the combined emoluments enjoyed by the former Superintendent and the late school teacher.

Mr. Stewart's services, while acting as Indian Superintendent for Prince Edward Island, deserve to be mentioned in terms of commendation. He always proved himself the friend of the Red man, and by his untiring care for them he contributed greatly towards their welfare, and discharged the duties entrusted to him with zeal.

#### MANITOBA AND NORTH-WEST TERRITORIES.

By Order in Council of the 17th June, 1878, Mr. William Palmer Clarke was provisionally appointed Indian Agent for Treaty No. 5, and stationed at Norway House.

Mr. Clark was not however confirmed in the appointment, Mr. Angus McKay having been appointed to the position by Order in Council of the 7th October, 1878.

Mr. Lawrence W. Herchemer was appointed by Order in Council of the 5th October last, Indian Agent and Instructor, in farming to the Sioux Indians settled on the two Reserves allotted to them on the Assiniboine; and subsequently by Order in Council of the 5th November, 1878, the Sioux, to whom a Reserve at Oak Lake, in the vicinity of the Turtle Mountains was assigned, were included in Mr. Herchemer's Agency, and his salary was consequently increased from \$600 to \$1,000 per annum.

By Order in Council of the 20th October, 1878, Mr. Ebenezer McColl, who had been provisionally appointed Inspector of Indian Agencies in the Manitoba Superintendency, was confirmed in that position, at a salary of \$1,800, with travelling expenses.

By Order in Council of the 17th October, 1878, Dr. Hagarty, Medical Superintendent to the Indians within the North-West Superintendency, was appointed also Medical Superintendent to the Indians within the Manitoba Superintendency, with an addition to his salary of \$400 per annum, thus making the total emolument of his office \$1,800 per annum, with travelling expenses.

Dr. Hagarty was directed to reside, until further orders, at Winnipeg, and to perform the operation of vaccinating all the Indians within the Manitoba Superintendency who have not already been vaccinated. Vaccine matter was recently sent to him for that purpose.

Mr. Agent Young, of North St. Peter's, reports that the crops on that Reserve have turned out well; that the Indians on the Broken Head River Reserve have signified an intention to settle on their farms and cultivate the same.

They at present make their living chiefly by hunting and fishing.

The Indians on the Fort Alexander Reserve, Dr. Young reports, are rapidly settling, building comfortable houses, and turning their attention to farming.

The Indians procure the greater portion of their subsistence for the winter from fall fishing in Lake Winnipeg.

The Indians of Black River Reserve have all settled upon parcels of land therein and are cultivating the same satisfactorily. These Indians lay in their stock of fish for the winter in the Fall of the year. The health of the Indians within Dr. Young's Agency has, he states, been generally good during the past year.

The Agent for the Indians interested in Treaty No. 2 reports, that the condition of the several bands within the territory covered by that Treaty is satisfactory.

Mr. Pither, the Agent at Fort Francis to the several Bands interested in Treaty No. 3, whose Reserves are situated in the vicinity and to the north of Rainy Lake, reports that those Indians have had fair returns from the hunt, and that rabbits being numerous and wild rice plentiful in that country, the Indians have not suffered from want of food, and the general health of the several Bands has been good.

I regret however to state that the Agent reports that very little land has been broken up by these Indians, although they have received cattle and ploughs, and the land on of the five reserves is cleared ready for tillage.

The Agent to the Indians of the easterly portion of the territory covered by Treaty No. 3, reports that these Indians are anxious to have schools among them, and a person to teach them to farm and build houses.

The payment of the annuities to the Indians within the North-West Indian Superintendency were, I am happy to say, made at the dates previously fixed upon at the several points of meeting, and the supplies of food, implements and cattle were delivered for the most part on time.

I regret to report, however, that complaints have been made of the bad quality of the flour and beef furnished at some of the points of payment, and also that the cattle purchased for these Indians were too wild to be handled.

The arrangements made and carried out by Col. McLeod and the other officers of the North-West Mounted Police, in connection with the payments of annuities, and the furnishing of implements and cattle to the Indians interested in Treaty No. 7, were, I am happy to say, most satisfactory, as will be seen on referring to an extract from Lieutenant-Colonel McLeod's report (placed herewith.)

The Assiniboine Indians of Cypress Hills, who reside near that locality, within the territory covered by Treaty No. 4, and some of the Cree and Saulteaux, who hunt to the south of Fort Walsh, were paid at that post by Inspector Walsh, of the North-West Mounted Police Force.

The other Bands interested in that Treaty were paid as usual by Mr. Agent McDonald at the points most convenient for them.

The Indians of Treaty No. 6 were paid by Mr. Agent Dickieson, and by the officers of the North-West Mounted Police.

An extract from a despatch of the 11th November last, received from His Honor Lieutenant Governor Laird, who is also Indian Superintendent, at Battleford, replying to certain questions asked of him with regard to the condition of the different Tribes and Bands within the North-West Superintendency, and making valuable suggestions in relation to the management of Indian affairs in the North-West, will also be found herewith. It may be remarked in connection with His Honor's suggestion, that the Indians should be furnished with food while engaged in sowing their lands in the spring, that this had already been acted upon in a measure; and the proposition to employ instructors in farming, to teach the Indians, is receiving consideration at your hands.

The Agent to the Indians interested in Treaty No. 4 reports that of the 24 Bands within the territory covered by that treaty, 11 are gradually turning their attention

to farming; one of these bands, that of Chief Cotè at Fort Pelly, raised during the past year 280 bushels of barley, and over, 3,000 bushels of potatoes, and a large quantity of other vegetables, all of excellent quality.

The increase from four cows which were given to this Chief two years ago has been large, namely, eleven head.

Several of the other Bands interested in Treaty No. 4 are reported to have also made considerable advancement in their farming operations.

His Honor Lieutenant Governor and Indian Superintendent Laird reports that of the number of Indians paid in Treaty No. 6 this year, 1,636 received payment for the first time, and being entitled to their gratuity of \$12 each, besides one year's annuity of \$5 or \$17 in all per head, a much larger sum was expended in the payment of annuities to the Indians within the territory covered by this treaty than was anticipated.

The Indians interested in this treaty received this year farming implements for the first time. A distribution thereof having been made to the different Bands at the dates they were paid their annuities.

Out of the Bands within this treaty, to whom seed grain was given, Mr. Laird reports that he has reason to believe seven made good use of the seed. Most of the Band, however, he fears did not devote all the seed to the purpose for which it was intended.

The Lieutenant Governor also expresses his belief, that were it possible to employ men to instruct and assist the Indians at seed time, most of the Bands of the Saskatchewan would soon be able to raise sufficient crops to meet their most pressing wants.

#### BRITISH COLUMBIA.

By Order in Council of the 8th March, 1871, the Board of Indian Reserve Commissioners, which was constituted in the year 1876, for the settlement of the Indian Land difficulty in this Province, was reconstructed in compliance with a strongly expressed desire on the part of the Government of British Columbia, that the commission should be organized upon a more economical basis.

The Dominion Government, while acknowledging the great judgment, tact firmness, and patience, displayed by the late Board in the many complicated questions upon which it was obliged to adjudicate, and which may be stated to have given satisfaction to all parties interested, felt constrained, in the interests of economy, to accede to the representations of the Local Government. This was done in what appears to have been the most judicious manner possible under the circumstances.

The Board of Commissioners, which before had consisted of three, namely: Mr. A. C. Anderson, Commissioner on behalf of the Dominion Government, Mr. A. McKinlay, Commissioner on behalf of the Province, and Mr. G. M. Sproat, Joint Commissioner, was dissolved, and it being considered judicious, in view of the discontent it would probably occasion among the Indians, were an entire change in the *personnel* of the Commission to be made, the last named gentlemen was appointed sole Commissioner, his decision to be subject to the approval of the Commissioner of Lands and Works in British Columbia. And in the event of differences between Mr Sproat and the Commissioner of Lands and Works on any question it is to be referred to one of the judges of the Supreme Court.

In this way the continuity of the Commission, as formerly constituted, is in a measure preserved, and the Indians have a guarantee that the same policy which had previously guided the Commission in dealing with the Reserve question will still prevail.

The expenses of the Commission as now constituted are paid by the Dominion Government; but in case of its being necessary for a referee to visit any place, for the purpose of deciding any point of difference between the Indian Reserve Commissioner and the Commissioner of Lands and Works, each Government is to pay one half of the Referee's expenses.



Mr. Sproat, in his report of the work of the Commission during the past year, states that up to the date of that report (26th October), in all the districts visited by him, the Indians appeared to appreciate the just policy and kind intentions of the two Governments, and did not ask any questions respecting the reduction in the number of Commissioners.

Mr. Sproat further states, that dealing with one white chief is more in accordance with the ideas of the Indians, than dealing with three white chiefs, whose respective duties and positions on the Commission the Indians did not quite understand.

While doing justice to the Indians in the matter of the lands assigned to them, Mr. Sproat seems to have a proper sense of what is due to the White settlers in the adjustment of reserve lands for the former; and he reports that he cannot see that he has been otherwise than well received by the White settlers in the different districts visited; and he thinks that he may venture to say, that the large majority of settlers with whom he has had to deal, recognize that he has done his best to avoid any needless interference with existing interests.

The work of the Commission, during the past year was along the Fraser River, from Yale to above Lytton, along the Thompson up to Hat Creek, and in the long valleys of the Rivers Nicola and Similkameen.

The work was commenced at the point where it was discontinued last year, being near Osoyoos, on the United States Frontier.

The Indian land question has thus been adjusted (with the exception of a few open questions) throughout the whole southern interior of the mainland of the Province, for about 200 miles back from the frontier.

The average quantity of land assigned last year to the Shuswaps and Okanagan Indians, was 18½ acres of arable land to each adult, and 22 acres of grazing land for each horse or head of cattle.

Mr. Sproat, in an earlier report, strongly advocates the non-interference by Government with any of the fishing rights or habits of the Indians. He says that the Indian Reserve question and the buffalo question are trifles compared with the fishery question to the Indians in British Columbia.

The whole Indian population of between 30,000 and 40,000 are fish eaters. It is their staple article of food. The Indians, especially in the interior, subsist on the salmon.

In the instructions given by both Governments to the Commissioners, great stress was laid upon the necessity of not disturbing the Indians in their possessions *inter alia* of fishing stations, and on the impolicy of attempting to make any violent or sudden change in the habits of the Indians engaged, among other pursuits, in fishing.

The attention of the Department charged with the management of Fisheries has been called to this subject, and several communications have been exchanged between this Department and the Department of Marine and Fisheries relative thereto.

In the early part of the season two surveying parties were employed to survey, under the instructions of Mr. E. Mohun, C.E., the boundaries of the Reserves allotted by the Commissioners in 1877. The work on the mainland was entrusted to Captain Jemmett, P.L.S., of New Westminster, and that on the coast to Mr. A. Green, P.L.S., of Victoria.

The field work was still in progress when the latest advices were received; but it has probably by this time terminated for the winter season.

Mr. Sproat having reported that the services of Mr. Mohun, as attending Surveyor on the Reserve commission, might, in his opinion, be dispensed with and made available during the winter season, in plotting the field notes of the two Surveyors engaged in running the boundary lines of the Reserves, and next season in assuming personal charge of the field work of one of the surveying parties, as well as superintending the work of the other party, this arrangement was concurred in and instructions were sent to Mr. Mohun.

Mr. Sproat's dispensing with the services of the attending surveyor, and employing a non-professional, and consequently a cheaper man, to examine the lands to be

set apart as Reserves (and which arrangement Mr. Sproat states will work satisfactorily, in view of the fact that his experience will enable him to give sufficiently accurate instructions to the person employed for all practical purposes) effects a saving of about \$6 per diem or \$180 per month in the expenses of the Commission. On the other hand, Mr. Mohun's knowledge of the locations already assigned by the Commissioner for Reserve purposes, eminently fit him both for conducting the field work, which it is proposed to entrust to him in the spring, and for directing the work of the other surveying party.

So soon as the work of allotting Reserves and surveying the boundaries of the same is completed, and the Reserves are regularly transferred to the Dominion by the Provincial Government, an entire change in the administration of Indian Affairs in British Columbia should be inaugurated, as the present system is defective, and will be quite unsuited to the new and varied responsibilities which the transfer of the Reserves will entail upon the Department. This change of management need not involve much (if any) more expense than the present system does, and should, if the organization is judicious, be much more effective and give better value for the money expended.

I am of opinion that the principal administrative officer in the Indian Service of this Province should be a Visiting Superintendent or Inspector, and that he should be constantly on the move. Under this officer there should be sub-agents, each of whom should be stationed at the most central point to the Reserves and Bands for which he acts, and should be subject to the direction of the Visiting Superintendent or Inspector.

The headquarters of the Inspecting Officer should be at such central point as will be most convenient for the Indians and sub-agents, and where he can be readily communicated with by post and telegraph from this office.

In view of the dissatisfaction which exists among many of the coast tribes, on account of alleged encroachments by White people on their fishing rights, and of the illicit manufacturing and immoderate use of spirituous liquors by some of the Indians of Queen Charlotte's Islands, where it is stated liquor is both manufactured and smuggled in large quantities from Washington Territory in the United States, and in view of the consequent insecurity of life and property in that locality, it would appear highly desirable that a steamer having Government officers on it connected with this Department and the Departments of Marine and Fisheries, Inland Revenue and the Customs, should visit that locality, and the other places on the coast where it is suspected liquor is manufactured or smuggled, and where there is dissatisfaction among the Indians relative to encroachments on their fisheries. Enquiry should be made by the officers into the several causes of complaint in which their Department are respectively interested, and effective measures should be adopted to remove the same.

The system of giving presents to the Indians of British Columbia was this year, very greatly curtailed. The expenditure in the Fraser Superintendency in the purchase of implements, tools, harness, seed, &c., for the Indians had been previously very heavy: and the policy of thus teaching Indians who had before been able to subsist by their own efforts, and who were entirely self-supporting, to become dependent upon the Government for the supply of articles which they evidently either did without in former times, or purchased for themselves, was, to say the least, very questionable. No such presents are now given, unless the sanction of the Superintendent-General has been previously obtained, and the expenditure in both the Victoria and the Fraser Superintendencies is now limited to what is absolutely unavoidable.

Cases of distress meet with prompt aid, and medicines and medical attendance are supplied to the sick when required.

#### GENERAL BUSINESS.

The following is a statement of the work done at this office, not including, however, the numerous reports and memoranda prepared (whereof no record has been

kept) or copies made of documents, searches for records, translations from French into English, and *vice versa*, &c., &c.

Letters received, docketed and registered.....	4,627
Memoranda, containing instructions for letters to be drafted..	3,856
Letters drafted, transcribed, entered, docketed and registered, covering 5,043 pages.....	3,856
Accounts kept and balanced quarterly.....	170
Pay-checks issued .....	3,100
Number of new land sales entered.....	957
Payments on leases checked and entered.....	420
Payments account sales checked and entered.....	1,558
Agents' returns examined and docketed.....	162
Assignment of land examined and registered under 39 Vic., cap. 18, sec. 32, certified and entered in sales books.....	186
Descriptions for patents prepared in duplicate, examined, entered and issued.....	172
Patents examined, entered and mailed.....	172
Cancellations of sales of land prepared and entered.....	25
Certificates for Heir and Devisee Commission.....	1

#### MONEYS.

The gross amount of principal at the credit of the sundry Trust Funds administered by this Branch in the interest of the various Bands of Indians owing the same, was on the 30th June, 1878, \$2,943,533.54, being an increase of \$24,165.47 over the amount standing at the credit of the capital account of the Trust Funds on the 30th June, 1877; and the amount of interest which had accrued on the 30th June last was \$160,568.69, being an increase of \$1,502.37 over the accrued interest for 1876-77.

Statement B and the subsidiary statements thereto, which, accompany this Report, contain full details of the revenue and expenditure in connection with each of the Trust accounts.

Complete information relative to the expenditure of the several Parliamentary appropriations for Indian purposes will be found on reference to statements C 1, 2, 3, 4, 5, also placed herewith.

#### LAND SALES AND LEASES.

The quantity of land in Ontario sold for the benefit of the Indians during the year ended the 30th June, 1878, was 73,363 $\frac{3}{100}$  acres, being 29,550.36 acres over the quantity of land sold last year. The amount for which the lands were sold was \$54,555.11.

The amount collected on account of old and new sales and leases was \$68,077.93.

The area of surrendered and surveyed land in the Provinces of Ontario and Quebec still unsold is 480,171 $\frac{3}{100}$  acres.

Return D prepared by the Clerk in charge of land sales, and which is attached hereto, gives the area of the lands sold in each Township during the year as well as the quantity still disposable.

#### CONCLUDING REMARKS.

The usual statistical statements showing the population of the Indian Tribes and Bands, the condition of the various schools conducted in the interests of the Indians, and the agricultural and industrial resources of the Indians of the different Provinces are placed herewith. The reports received from the Indian Superintendents and Agents also accompany this report. I regret, however, to be again obliged to

notice the absence of reports from several Agents, although the Department repeatedly called upon them for the same.

In conclusion, I have much pleasure in testifying to the general efficiency and zeal displayed by the officers of this Branch in the discharge of their duties.

I have the honor to be, Sir,

Your obedient servant,

L VANKOUGHNET,

*Deputy Superintendent-General of Indian Affairs.*

No. 1.

ONTARIO,

GRAND RIVER SUPERINTENDENCY,

20th September, 1878.

The Honorable

The Superintendent General of Indian Affairs,

Ottawa.

SIR,—I have the honor to transmit the accompanying tabular statements, for the year ending 30th June last, but which, from unavoidable cause, is defective in those of implements, crops, and other industries; but judging from personal observation and inquiries, they would not vary much with those of the year previous.

The results of the harvest, were on the whole, an increase, and of better qualities, arising no doubt, from the distribution of seed under your authority.

In horses, cattle, and other stock, as also farming implements, an improvement is perceptible.

Some more land in "Commons" has been brought into cultivation, with consequent fencing.

The public health has been good, no epidemic. Ague fevers prevail, arising from stagnant swamps and creeks, but a probable remedy appears in the removal of quantities of drift and dead wood from the principal creeks, and so allow the waters to run freely, draining the smaller creeks, and with ditching, stagnant pools; to all of which, the Indian Council and people are sensible, and will take the necessary action.

Temperance Societies are active in their organisation, but a few evil disposed Indians defy the law, by taking liquor on the Reserve, cause trouble, prosecutions, and punishment.

The census show a continued natural increase.

The Six Nations number.....	3,152
Births.....	132
Deaths.....	111
Increase.....	21
The Mississaguas, number.....	211
Births.....	8
Deaths.....	7
Increase.....	1
Population of the Reserve.....	3,363

One hundred and forty Licenses have been issued to Indians only, for the removal, and sale of firewood, and for some logs for building purposes, such licenses being granted upon recommendation of committees of the Council.

As it has become necessary to preserve the woods for the wants of the Indian people, and succeeding generations, it is in contemplation to prohibit the removal of wood from the Reserve, while, it may be observed, traffic in wood has a tendency to withdraw attention from farming and other industries.

Roads and bridges are cared for, money expended, and the statute labour is well, and zealously applied, indeed, the Indians rival and excel their white neighbours in that respect.

The Agricultural Society, and ploughing matches of the Six Nations, continue to prosper and flourish; the show last fall, being most excellent, and the ploughing matches, with useful prizes attract numerous competitors, and excite a lively interest.

It is gratifying to announce, and welcome the Acts of the Six Nations Council, to cooperate with the New England Company, (London, England) in voting their first annual grant of \$1,500 towards education, and the maintenance of schools in their Reserve. Upon the suggestion of that Company, a new Board of Education for the Reserve, has been formed, to which the Council have named three Indian representatives; your Visiting Superintendent being also a member of the board.

It is pleasing to again allude to the admirable Mohawk Institute, supported by the New England Company; about ninety children are there; its doors being open to, and availed of, by children from Indian Bands throughout Ontario and Quebec.

Upon the request of the Council of the Six Nations, and under your instructions, an arduous work was undertaken, and carried into effect, in an audit of claims,—extending over the period of 16 years—against the great majority of the Six Nations, the Council, in the most generous spirit, voting for the full payment of such claims, which you caused to be done.

It is imperative, however, that some course be adopted, to prevent a recurrence of the injurious credits indulged in, and the Council appear anxious to secure that end.

The Six Nations evince their high sense of the constant good faith of the Crown, by showing their loyalty upon all fitting occasions, and each anniversary of Her Majesty's Birth Day, is duly celebrated with a programme of proceedings pleasing to witness.

The Superintendent, by their request, presides on all such occasions.

On the last 24th May, a loyal farewell address was adopted, to Her Majesty's representative, the Governor General, who with the Countess of Dufferin, so kindly visited the Reserve and the Council House, in August 1874, an historical, event, remembered by the Six Nations.

This report, with those of the four previous years, convey very full information, respecting the largest body of civilized Indians in the Dominion of Canada.

I have the honor to be, Sir,

Your most obedient servant,

J. T. GILKISON,

*Visiting Superintendent and Commissioner.*

No. 2.

ONTARIO.

WESTERN SUPERINTENDENCY.

INDIAN OFFICE,

SARNIA, December 12, 1878.

The Honorable

The Superintendent General of Indian Affairs,  
Ottawa.

SIR,—I have the honor to transmit, herewith tabular statement shewing census, progress in agriculture &c., of the several Tribes of Indians within this Superintendency. I have taken a good deal of pains, and been at very considerable expense, to have it as nearly correct as possible; yet in several cases I had to make an approximation to the best of my judgment.

## CHIPPEWAS OF SARNIA AND KETTLE POINT

The larger number of these Indians are settled along the River St. Clair, immediately south of the town of Sarnia; the remainder are at Kettle Point and Stoney Point on Lake Huron. The soil of the Sarnia Reserve is good, and a considerable portion of it is beautifully situated. A part of it, however, is very low land, and requires a good deal of drainage to make it fit for cultivation. Nearly all the timber on this Reserve that was of any value has been removed; so that, in many places, there is not sufficient timber left to fence the land. The two reserves on Lake Huron, Kettle Point, and Stoney Point, embracing between them probably between 4,000 and 5,000 acres, contain some of the very choicest land; and there are a few farms tolerably well cultivated. A large portion of these Reserves, however, is of very little value, being composed alternately of mounds of pure sand and deep swamps.

The condition of the Indians is very much better than it was thirty or forty years ago, yet the greater number are very poor, and always anticipate their annuities by obtaining credit, often to more than they amount to. In spite of the stringent provisions of the law, there is still a good deal of drinking among them, which, of course, adds to their poverty and debasement.

## CHIPPEWAS OF WALPOLE ISLAND.

These Indians occupy the larger portion of Walpole Island. Many of the farms are pretty well cultivated, and a large quantity of the different varieties of farm produce was raised during the past season. The Island is very fertile, and if thoroughly tilled would support a large population. The Chippewas on the Island number about 612, and, on the whole, are industrious and well behaved. They have an annual Exhibition of animals and agricultural produce, at which prizes are offered in the usual manner. This was established a few years ago by the Revd. A. Jamieson (the Church of England Missionary on the Island), and by leading to competition among themselves, has produced good results. On this part of the Island there is a good chapel (Church of England) in which service is held regularly by the veteran Missionary Mr. Jamieson, who preaches to the Indians in their own language.

There is also a school house, in which a school is maintained throughout the year, though I am sorry to say that the attendance, especially for the last quarter, has been very small. The larger portion of the salary of the teacher of this school is paid by the Church Mission.

## POTTOWATTOMIES OF WALPOLE ISLAND.

These Indians number about 157. They occupy a fine portion of the Island, and a number of them have their farms in a tolerable state of cultivation. Their crops the past season were very good. They have a school supported by the Methodist Society, which is well attended, and apparently efficiently taught by an Indian Teacher. They are much in want of a new school house, and have one now in course of erection. They have also a resident Methodist Missionary among them.

## MORAVIANS OF THE THAMES.

These Indians number about 275. Their Reserve comprises upwards of 3,000 acres beautifully situated south of the River Thames, in the Township of Orford. The land, for the most part, is of good quality, some of it is particularly so. It is divided, for the most part, into 40 acre lots. These in some cases are very fairly cultivated. In many cases, however, these lots remain in their natural condition or nearly so. A very considerable quantity of farm produce was raised on this Reserve during the past season. Many of these Indians are deeply involved in debt; though with moderate care and industry, they might, in a very short time, be in very comfortable circumstances. A Mission of the *Moravian Brethren* has been established here for upwards of 100 years. In connection with this Mission, there is a very efficient school. There is also a very good school supported from the Indian funds. These two schools, I think, are the best within this superintendency.

## WYANDOTTS OF ANDERDON.

These number only 73 souls. They occupy a splendid Reserve situated on the Detroit River. They have large farms, and some of them are pretty fairly cultivated. They are in better circumstances than any of the Tribes in this superintendency. They have applied for enfranchisement, and about one-half of the time of their probation has already expired.

I have the honor to be, Sir,

Your obedient servant,

EBENEZER WATSON,

*Indian Superintendent.*

No. 3.

## ONTARIO.

WESTERN SUPERINTENDENCY,—2nd DIVISION,

INDIAN AGENCY,

STRATHROY, September 27, 1878.

The Honorable

The Superintendent General of Indian Affairs,

Ottawa.

SIR,—I beg to submit the following Annual Report, on Indian Affairs within my Agency, for the year ending 30th June 1878, in accordance with instructions received in your circular of the 14th August last.

## ONEIDAS OF THE THAMES.

This Band numbers 590, an increase of 5 since last Census. They have built a very good frame school house, and partly finished a second house during the last Spring and Summer, are a very quiet and industrious band of Indians.

## MUNSEES OF THE THAMES.

This Band numbers 129, a decrease of 2 since last census. Their condition otherwise has changed so little since my last report, that I have no new information to offer of any service to the Department.

## CHIPPEWAS OF THE THAMES.

This Band numbers 455 an increase of 9 since last Census. They have during the year for the most part been orderly and well conducted, have three good schools on the Reserve taught by native teachers, who give general satisfaction.

The majority of the three bands, are sober and industrious, and enjoy the comforts of civilized life.

The moral status with few exceptions is decidedly good.

I have the honor to be, Sir,

Your most obedient servant,

THOMAS GORDON,

*Indian Agent.*

— — —  
No. 4.

ONTARIO,

CENTRAL SUPERINTENDENCY.

TORONTO, 10th October, 1878.

The Honorable

The Superintendent General of Indian Affairs,

Ottawa.

SIR,—In accordance with instructions contained in your circular of the 14th August last, I have the honor to submit the following report, on the condition of the Indians in this superintendency, together with a tabular statement showing progress in agriculture &c., for the year ended on the 30th June last.

I am much pleased to be able to report a general healthy condition of the Indians in this superintendency, the natural increase for the past year being eighty-six, which is greater than for many years previously. This no doubt is in a great measure due to the extreme mildness of the past winter.

The number of Indians as shown on the last census is 2,808, who received during the year as annuities, pensions, salaries, and for other purposes, about \$48,500.00. There are also upwards of 300 Indians in this division who have no fund and do not participate in these payments, making a total of over 3,100 people.

I find great difficulty in obtaining any thing like satisfactory information of the quantity of land under cultivation, and the produce therefrom, arising in some cases from carelessness and in others from inability to give the desired information. The returns show a considerable increase in the amount of produce raised, over that of previous years. I am quite satisfied that the Indians in this superintendency are generally improving in habits of industry and more especially as regards farming, the great drawback to further progress is the want of suitable agricultural implements, and if any means could be adopted to supply this want it would materially improve their condition.

As regards educational matters, I can only repeat what I have heretofore stated, that the Indians do not place sufficient value on the education of their children, they exercise no control over them and apparently take no interest in sending them to school regularly.



If compulsory education should be adopted with any class, it certainly should be with Indians, but one of the greatest drawbacks, however, to the education of Indian children is the want of proper teachers, the great majority of the teachers employed are totally unqualified for the position, and the only remedy for this evil is to pay higher salaries and demand a higher state of proficiency, and in all cases the appointment of teachers should be in the hands of the Department.

As regards intemperance I am pleased to say that there is a gradual but decided improvement.

I have the honor to be, Sir,

Your obedient servant,

WM. PLUMMER,

*Superintendent and Commissioner of Indian Affairs.*

No. 5.

ONTARIO,

NORTHERN SUPERINTENDENCY, —DIVISION NO. 1.

INDIAN OFFICE, MANITOWANING, October 14, 1878.

The Honorable

The Superintendent General of Indian Affairs,  
Ottawa.

SIR,—I have the honor to transmit my report on Indian Affairs within this superintendency for the year ended 30th June last, with tabular statement.

There is no material change to report in the condition of the Indians,—the past year has been one of abundance,—the crops having been above the average, and as the open fall season allowed of fishing operations being carried on much later than usual, the Indians generally had an ample supply of food for winter use, and many had a considerable surplus to dispose of last spring.

A gradual increase in grain and root crops raised by many of the bands may be noted, also a slight addition to the number of agricultural implements such as ploughs, &c., but the principal part of the cultivation continues to be done with the hoe as heretofore.

The immunity hitherto enjoyed by the Indians from the ravages of the potato bug will, I fear, soon come to an end, the much dreaded visitant having made its appearance at several points upon this island and also upon the north shore, and it is feared that next season it will become general, in which case, should the Indians follow their usual custom of leaving their crops to take care of themselves, while they employ themselves picking berries, the total destruction of their potato crops may be apprehended.

Increased attention is being devoted to stock raising by some of the Indians, many of whom are fairly successful; the almost unlimited stretch of excellent pasture they possess affords great facilities for this branch of enterprise which seems likely to become more general amongst them. It is hoped that some bands will ere long be in a position to establish Agricultural Exhibitions which will not only stimulate them to raise a better class of stock, but also to adopt improved methods of husbandry.

In education there is not much progress to note:—With the exception of the schools of Wikwemikong and Sheguiandah the teachers with few exceptions are generally not equal to the duties they have undertaken. At present great difficulty is experienced in obtaining properly qualified teachers, the salary paid being very low. I have remarked with pleasure that both at Wikwemikong and Sheguiandah much greater efforts are being now made to instruct the children in the English language than heretofore.

The Indians occupying the unceded part of this Island have greatly improved the highways on their Reserve, a very creditable road, one chain in width and ditched has been made from Manitowaning Bay to Wikweminkong, and improvements in the roads in other directions have also been made, and more are contemplated.

The ill-feeling which has for sometime existed between the two parties of Indians occupying the unceded part of this island has been greatly lessened, and will I trust shortly be entirely removed. At the request of both parties, I have made application to the Department that a day may be appointed for the elections of additional chiefs, under section sixty-two of the Indian Act 1876, after which I trust unanimity will be again restored to their councils.

The health of the various Bands has been generally good, but few serious cases of illness having occurred amongst them.

The general conduct of the Indian has been good, but few cases of transgressing the law having taken a place when the large number of Indians in this superintendency is considered;—one case of loss of life by indulgence in intoxicating liquor occurred near Little Current, two persons who supplied liquor to Indians were fined, and one sent to jail, an Indian for keeping a house for the sale of liquor on an Indian Reserve was sent to jail for two months and two Indians for stealing liquor were sent to jail for three months. I regret to say that the impossibility of getting Indians to testify truthfully in liquor cases renders it exceedingly difficult to obtain convictions.

The settlement of this Island has made great progress and the demand for land has been in excess of any previous year, the new surveys being made will render available for settlement a large quantity of excellent land, and the proceeds will tend to augment the funds belonging to the Ojibeways and Ottawas of Manitoulin Island, some of whom have been dissatisfied at the small amount of their half yearly payment.

The total amount distributed during the year among the Indians of the superintendency has been \$8,375.16.

I have the honor to be, Sir,

Your obedient servant,

JAS. C. PHIPPS,

*Visiting Superintendent.*

No. 6.

PARRY SOUND, 1st August, 1878

The Honorable

The Superintendent General of Indian Affairs,

Ottawa.

SIR,—I have the honor, along with the tabular statement, to forward my report upon Indian affairs in this Superintendency.

Wishing to be able to speak from personal observation about the quantity of land under cultivation and the state of the crops, I devoted several days during my late visits to the different reserves to seeing as many of the gardens as I could find time for; but on some reserves the gardens are so far from each other that it was impossible to see a great many. As a rule the patches under cultivation are small, and few could well be called farms; but the crops upon them were generally good. In many cases, however, the potatoe beetle was doing much damage. Upon the whole, however, the Indians in this Superintendency do not go in much for farming, but depend more upon fishing and hunting.

I fear I cannot report any decided advance in their industrial habits. Yet some

of them see that they cannot now depend upon fishing and hunting but must take more to farming, and I trust that the schools which are in the way of being established will do something towards promoting this change.

In reference to the different bands, I would say that on Parry Island the crops are good; and besides corn and potatoes, a little wheat, oats and peas have been grown.

At Shawanaga much the same may be said about the crops. Heretofore their gardens were mostly beside each other at one place and the soil there was a poor one, but the ravages of the potato bug have led the band to clear patches in different places.

At present the Indian village at Shawanaga is situated on the Lake shore upon two lots lately granted them by the Crown Lands. The Band, however, inform me that they are now convinced that they can no longer trust to hunting and fishing, but must take more to farming, and therefore they are to build cottages at the different places they have selected, are to clear more land, and depend more upon their farms.

At Henry's Inlet the crops are good and of the same variety; but the Band still depends chiefly upon fishing and hunting, but every year they find these getting worse and so they too must take more to farming. In this respect the Forest Bailiff—Moses Meshegogan—sets them an example, as he is the most steady hard working Indian I know. He has about 10 acres now cleared, with good crops of various kinds, and has built himself a large good house. Upon this Reserve there is some good land, but not much of it compared to the extent of rock.

On the French River chief Mishacongai's Band does not inhabit their Reserve, but live upon Manitoulin Island. Upon this Reserve there is a good deal of good land and upon it live 3 families of the Henry's Inlet Band. They have good houses where they have lived for some years; have cleared some land and have good crops. One of them is also a trader in a small way.

On Doki's Reserve, also upon French River, no one now resides, and as far as I know the only land under cultivation upon it is a piece of about 5 acres cultivated by chief Doki's, but he lives in an excellent house he built some years ago, upon the Reserve of the Lake Nipissing Indians. He and his sons are largely engaged in trade, and some of his Band also trade in a small way.

On the Lake Nipissing Reserve I found the crops generally good. The chief Cochai has a large clearing at the east end of the Reserve, and I saw some good peas and fair wheat on his farm; but his other crops are not so good. About 6 miles from Cochai's farm 8 of the Band have a pretty large clearing, and I saw good crops of corn and potatoes upon it and some wheat and oats. Near the west boundary of the Reserve several families live near each other and have good crops of potatoes and corn and some wheat and oats. But this Band depends very much upon fishing and hunting.

As to the schools I am glad to say that a start has been made. On Parry Island I inspected the work of the Contractor the other day and found it satisfactory. According to the contract the school house will be finished by the 15th August, and will be a good substantial building and quite large enough for the number of children.

At Shawanaga about one half of the necessary quantity of logs has been cut and flatted, but the want of snow last winter prevented them being drawn to the site of the school which is at a considerable distance. They will, however, be drawn as soon as there is snow.

At Henry's Inlet about one half of the logs had been flatted and drawn to the school site, when I was at the Reserve, and I saw a large proportion of the remainder in the bush ready for drawing, and the distance there being short I expect that by this time they have been hauled. As to the two latter schools, by instructions from the Department I am to call for tenders as soon as I know that the logs are drawn.

Another school was proposed at Lake Nipissing, and when I was there I held a council with the Band on the subject. The Band admitted the advantage for their children to be educated, but at the same time pointed out that they are so scattered over the Reserve which has an area of 100 square miles and they are so often away hunting that it would be impossible to locate a school so that many of the children could attend, and consequently they declined going in for a school.

I found it impossible to get any reliable information as to the returns of the crops. Some of the Bands could give none, and in the others it was very much guess-work.

In the returns of live stock also I find it difficult to get at the exact numbers, but I believe my returns are very near the mark. In general the Indians cannot understand why the Department wishes for information about that—still they give information as far as they can. To this, however, Chief Dokis was an exception. He gave particulars in two instances and then declined giving further information. Some of the Band, principally sons of Dokis were present at the time, but it seems to me that Dokis himself is pretty much the Band. At all events all is managed by him and no one gainsays him.

As for the honesty of the Indians—that virtue still remains with them—but it is indeed rare to find an Indian who will go in for steady work. For a day or two for some definite purpose they will work hard, but they have yet to learn the value of time.

Inebriety no doubt prevails too much, although I confess I have seen but little of it. Still no doubt the Indians continue to get whiskey in one way or another at almost all the taverns, and I believe that most of those wandering traders have whiskey with them, but although I know all this I find it impossible to get such evidence as will lead to conviction, and unless that were certain, moving in the matter would only make it worse.

Upon the whole I cannot say that I see any material change in the habits of the Indians, but as the hunting and fishing fails they must take to farming, and as they take to that no doubt they will see that to do any good they must stick closer to work. By this time too next year I trust to be able to return a certain number of children as attending school, and I think that will be the first step towards permanent improvement. Old habits are too strong in the older Indians, but the young may be taught the value of time and steady work.

I have the honor to be, Sir,

Your obedient servant,

C. SKENE,

*Visiting Superintendent.*

Parry Sound.

---

No. 7.

ONTARIO.

NORTHERN SUPERINTENDENCY,—3RD DIVISION.

SAULT STE. MARIE, 18th September, 1878.

The Honorable

The Superintendent General of Indian Affairs,

Ottawa.

SIR,—I have the honor to forward you my report of the 3rd Northern Superintendency under my charge, as required by your circular.

I have pleasure in informing you that a considerably larger portion of land has been put under cultivation during the past year than heretofore, and crops generally were very good. This Spring the Indians have been sowing wheat and the prospect promises very well. Owing to the dryness of the season, the potatoe crop will fall short.

The health of the Indians during the past winter was better than for the two previous seasons. Several deaths have occurred, but these have been from old age and chronic complaints.

The roadway surrendered by the Indians, last fall, has been cut out and improved by the Victoria Mining Company. This gave a large amount of employment to those living on the Reserve, and proved a great boon to all. Should the above mine continue to be successful, there will be a plentiful supply of work for all who wish to engage in it.

I have further to inform you that the 1200 acre location surrendered by the Indians in November 1874 is now being opened up by an American Mining Company, with every prospect of being profitable. The expenditure of this Company is also a great advantage to the Bands residing on the Reserve.

There was but a small quantity of timber cut on the Reserve last winter, and most of this had to be left in the woods on account of the want of snow.

During the past year quite a number of settlers have taken up land in the Township of Laird. This Township has every probability of rapidly filling up. The great complaint against it is the want of roads. Settlers have also commenced taking land in the Township of Fenwick, and the saw mill erected at the mouth of Goulin's River will tend greatly to increase settlement in that Township. A road has been commenced through the Township of Pinnefather; this when completed will open up that Township, which from its close proximity to the Sault will no doubt be rapidly settled.

Taking all things into consideration, I consider the position of the Indians in my superintendency to be most decidedly improving.

I have the honour to be, Sir,

Your most obedient servant,

WM. VAN ABBOTT,

*Indian Lands Agent.*

No. 8.

PRINCE ARTHUR'S LANDING, 21st September, 1878.

The Honorable

The Superintendent General of Indian Affairs,

Ottawa, Ontario.

SIR.—I have the honor to transmit, Tabular Statement Indian return for the year 1878.

The four Bands under Treaty No. 3, are chiefly pagans, and, have not as yet been influenced by civilization to any great extent, they are anxious, however, to have a school established among them, and have a teacher employed, who would be competent to instruct them in farming, as well as in the construction of buildings generally; they live chiefly by fishing and hunting.

The circumstance of the establishment of the Northern and Western boundary of Ontario, placing this large extent of country under the control of our Courts, will enable us to carry out the provisions of the law, especially that with respect to the liquor question, with greater efficiency.

The Indians under the Robinson Treaty, who are located at Fort William, have not been benefited, by coming in contact with civilization, to the extent that would be desirable, however, they have made some considerable advancement in the right direction, having two schools established. A number of the younger members of Pic Band, are able to read and write, and to speak the English language, reasonably

well; on the north shore of Lake Superior, they live chiefly by fishing and hunting, and, having reasonable good hunting grounds, have no difficulty in providing the necessary supplies.

They are anxious to be provided with locations for settlement. This seems to be the more reasonable, as they have quite a large sum to expend in the construction of roads, the erection of school houses, &c.

A large number have been vaccinated, which seems to have given general satisfaction. Generally speaking they are healthy. Consumption seems to be the prevailing disease; this circumstance arises, I suppose, from their exposure to the inclemency of the weather, on their hunting excursions.

In matters of religion they are mostly Roman Catholic, except those at Michipicoten, who are connected with the Canada Methodist Church, and, are one of the most prosperous Bands under my supervision.

I have the honor to be,

Sir,

Your obedient servant,

AMOS WRIGHT.

—  
No. 9.

(Translation.)

CAUGHNAWAGA, 27th September, 1878.

The Honorable

Superintendent General of Indian Affairs,

Ottawa.

SIR,—I have the honor to submit the following report in reference to the affairs of the Indians of Caughnawaga as required by your circular of the 14th August last. I send you a Tabular Statement as complete as it has been possible for me to fill it.

There are many good agriculturalists, in this village, and it is remarked that the lands are as well cultivated as in no matter what Canadian Country. The harvest of Indian Corn which is never wanting here, is in abundance this year, but as every where else they have harvested much less hay and potatoes than of late years. I believe that I ought to remark that the work of the quarries, which, however, has been very little this summer, has deterred and disgusted some few of the Indians from farming, and in waiting from day to day to be employed at the quarries, they have lost considerable time which they could have employed either in farming or in the shanties of the Province of Ontario.

The Village is not in as flourishing a state as it ought to be.

In conformity with your orders all persons resident without permission upon the Reserve have been notified to leave, and I think that it would be advantageous to the Tribe that the law should take its course in many of these cases, for there are strong and robust Indians who are better pleased to take tenants than to farm themselves, to spare themselves labor and to live in indolence. Dissentions exist in this Village which cause me to anticipate great misfortune; we have already witnessed the death of the unfortunate Meloche whose barns were burned the 11th May last and who perished in the flames; he was without contradiction the model of the farmers, and many Indians followed his example. There are still certain troubles which exist concerning the leasing of lands of this Reserve to whites; quite lately, near Ste. Marguerite, the barn of a poor Iroquois was burned with all his crop.

There are many Indians who desire enfranchisement and the division of their lands.

I am proud to tell you that the sale of wood to whites is completely stopped; drunkenness has greatly decreased in the village; there are still drinkers but very few drinking places, for out of twenty-two cantines which were here, I cannot count more than one, and I have this cause pending before the Court. They buy liquor at Lachine in spite of the watchfulness of Mr. Caisse, special constable, who I have strictly notified to watch the sellers so as to punish them. There are also many places at Montreal where the Indians procure whiskey, but it has been impossible for me to obtain sufficient proof to institute proceedings.

The children rarely go to school, consequently they scarcely know how to read and write, and strange thing, the parents do not appear anxious to send them there. The population is all Catholic.

I have the honor to be, Sir,

Your obedient servant,

G. E. CHERRIER.

*Indian Agent.*

No. 10.

QUEBEC,

LAKE OF TWO MOUNTAINS AGENCY,

OTTAWA, 16th September, 1878.

Honorable Superintendent General of Indian Affairs,

**Ottawa.**

Sir,—In compliance with instructions received in your circular of the 14th August last, I have the honor to transmit for the information of the Department, along with the Tabular Statement, the following report on Indian Affairs, within this Agency for the year ended the 30th June last.

As this is my first annual report since my appointment to this office here, it would be somewhat difficult for me to furnish the Department with full information on all matters of interest relating to the Agency. I will, therefore, confine myself to the narrative of a few leading facts connected with the Band under my supervision.

The men are principally occupied in shantying and farming, especially the latter, in which they appear to take great pleasure and delight. Some of them engage also in hunting and fishing at certain periods of the year, but to a limited extent. During the winter and spring seasons, a number of them are likewise employed in manufacturing snowshoes, moccasins, axe-handles, and lacrosses, which, particularly the last, they ship in large quantities to purchasers in the Cities of Quebec, Montreal and Toronto.

The women spend the greater portion of their time in making all kinds of fancy baskets, bead-work, bark-work and other small wares which they dispose of in Montreal and the surrounding villages, receiving in exchange therefor either money, clothing or provisions, and in this way render valuable assistance in maintaining themselves and their families.

I have found upon frequent enquiries, that the Indians here prefer agricultural pursuits to almost any other, and I am led to believe that they are quite sincere in what they affirm in this respect, from the fact that those of the Tribe who occupy and cultivate lands on the Reserve are most industrious and hard working men, and many of whom would rank as first class farmers among their more enlightened white brethren, while those who do not as yet possess any lands are extremely anxious to have such provided for them in order that they may be enabled thereby to make better provision for their families:

They are laboring under a great many serious disadvantages and have been for a number of years, owing to the exceedingly unpleasant difficulties which have so long existed between them, and the gentlemen of the Seminary of St. Sulpice of Montreal in regard to the respective rights of each to the lands of the Seigniory of the Lake of Two Mountains.

It is gratifying, however, to notice that a good deal of that ill feeling and bitter strife which has heretofore existed between the two parties to the dispute has apparently disappeared, while both entertain sanguine hopes that an amicable settlement of their difficulties will be finally accomplished by the Dominion Government at an early day.

Regarding educational matters, I am happy to record that the different schools in operation on the Reserve are in a progressive and commendable condition. Being under the management of qualifial and efficient teachers, every facility for acquiring a good elementary training is afforded the pupils in attendance, more especially is this the case in the Protestant school, which is purely Indian, where the children are instructed in the English language as well in their own, and it is pleasing to remark that there seems to be an increasing desire on the part of parents to send their children regularly to school that they may there gain such useful knowledge as will better qualify them for the duties and avocations of after-life.

As nearly the entire Indian population is Protestant, there are very few Indian children attending the Roman Catholic schools. Those taught in these schools are chiefly French Canadians.

Since the demolition and destruction, by order of the Gentlemen of the Seminary of the Protestant church in the year 1876, the French Missionary has been obliged to conduct his services in the school house which has been found entirely too small to accommodate all who attend.

The moral and social *status* of the Band is good, and I find them well behaved, honest and trustworthy.

The use of intoxicating liquors is almost entirely unknown among them. During the year only two cases of drunkenness came under my notice, and in both these, a fact I learned afterwards, the liquor was procured and given to them by French Canadians.

There is only one hotel in the village of Oka and the proprietor thereof, aware no doubt of the stringency of the existing law, prohibiting, under a heavy penalty, the sale or gift of intoxicants to Indians, is careful not to furnish them with it. The general health of the Indians is also very fair and there has been no sickness of any serious nature among them during the past year, and only some seven or eight deaths have occurred in that time.

That contagious and often fatal disease, the small-pox, broke out among them in the early part of last winter and proved fatal in two cases. Acting upon instructions from the Department, I had vaccinations promptly performed which had the desired effect of preventing the disease from spreading, and it eventually disappeared.

The various sums of money transmitted by the Department during the year for the relief of the aged, infirm and most indigent of the band were disbursed satisfactorily among the proper parties.

Apart from the assistance rendered them by the Department, they are, pending the settlement of their present difficulties with the Seminary, largely helped in many ways by the people of the Dominion and also the United States.

Their dwelling houses, which are chiefly log, are in a very delapidated condition. I have personally examined a large number of them, and find that they are so old, (some of them 100 years and over), and so out of repairs as to render them unfit for occupation. I understand, however, that it is the present intention of many of the Indians to erect new ones in their stead when the cold weather comes.

The French population on this reserve is much larger than the Indian, and the Indians are constantly complaining to me that these French squatters are a source of much trouble and annoyance to them.

They consider that these French people have no right whatever to settle on lands which are held in trust for their maintenance and support, and they express



the hope that the time will soon come when all these squatters will be removed from the reservation.

In the month of June, 1877, the Roman Catholic Church, with the buildings thereto attached, was totally destroyed by fire. The Indians, as you are aware, were charged, by the Gentlemen of the Seminary, with being guilty of incendiarism in this case, and fourteen (14) of them were arrested and incarcerated at St. Scholastique to stand their trial for arson.

It is now over a year since they were imprisoned, and during that time they have been tried twice before the Courts at St. Scholastique, and at both trials the jury disagreed as to their verdict and were discharged. Among the accused is chief Joseph Onesakenrat, who is a very active and intelligent man, and one who, with the other chiefs, is always endeavoring to ameliorate the condition of his tribe. They have had to remain in jail a great part of the time, as bail was refused. They are out now, however, on bail, and it is thought that the Gentlemen of the Seminary will abandon any further proceedings against them as the evidence of the prosecution thus far, has failed to convict them, while the evidence for their defence has shown pretty conclusively that they are innocent of the charge preferred against them.

I cannot conclude this report without referring to the great difficulty the Indians have in procuring wood for fire and building purposes.

The Gentlemen of the Seminary have in their employ four (4) policemen, two of whom were members of the late Provincial Police Force and hail from the City of Quebec, the other two are local men whose principal business I understand it has been for the last nine or ten years to keep a strict watch on the Indians to prevent them from cutting wood on the Reserve, and in a great many instances where they have been discovered chopping a few small trees for fuel they have been arrested, abused and dragged off to prison by these policemen. In this manner are the Indians deprived of even firewood to keep themselves and their families from perishing with the cold in winter, while the Gentlemen of the Seminary are shipping annually thousands of cords of the best maple, beech and birch from the Seigniorship to the Montreal markets.

The accompanying Tabular Statement contains all the information on statistical matters that it was possible for me to obtain.

You will observe that there is a decrease of eighty-nine (89) in the population of the Band since the year 1874. This is owing chiefly to the fact that some twenty-eight (28) families left here since that year on account of the unsettled state of affairs at Oka, and also because they had no lands here for settlement.

I have the honor to be, Sir,

Your obedient servant,

JOHN MCGIRR,

*Indian Agent.*

No. 11.

PROVINCE OF QUEBEC.

ST. REGIS AGENCY,

DUNDEE, 12th October, 1878.

The Honorable,

The Superintendent General of Indian Affairs,  
Ottawa.

SIR—I have the honor to forward you the Tabular Statement, in connection with the Iroquois Indians of St. Regis.

The condition of the Indians is in no wise changed since my last report, and with the exception of the trouble with the Rev. F. Marcoux, about the removal of a

shed, which the majority of the chiefs and Indians claimed to be an obstruction of a near road-way, leading to the river, such peace and quietness has prevailed as is to be found in an Indian Village or Reserve.

In the name of one of the chiefs, three other chiefs and the father of one of the three, were arrested, for riotously demolishing said shed, which trial came off at Beauharnois on the 7th inst., but the prosecution failed to prove enough of riotous behaviour, or destruction of property, to convict, and they were released.

Such suits are to be regretted, if for nothing more, on account of the large amount of costs, which amount could be put to a much better use than paying it out for law expenses.

During the year some parties have been summoned to Court at Dundee for selling liquor to Indians, and one conviction rendered, but the person left for parts unknown, and has not returned to pay the penalty.

Since my last report school was opened on Cornwall Island, taught by a female teacher from Oka and was very well attended, but some slanderous reports being circulated about the teacher, she left and the school is now vacant.\* The Indians to their credit are very anxious that it should be opened again as soon as practicable.

I am sorry to say that the curé does not seem to interest himself very much in the cause of education. No doubt it would have a very good effect were he to instruct parents to send their children to school, and visit the school occasionally.

I have met Indians from other Reserves, that seem to be more intelligent, and can speak the English language better than the St. Regis Indians do, and I cannot see but what these Indians have as many advantages as any of the Bands, that I have seen representation from, if they would use them.

The trouble I speak of between the Priest and Indians, is not through any religious difference, as they are all Roman Catholics.

I have the honor to be, Sir,

Your obedient servant,

JOHN DAVIDSON,

*Indian Agent.*

(Translation.)

No. 12.

QUEBEC,

AGENCY OF ST. FRANCIS DU LAC,

28th September, 1878.

To the Honorable

The Superintendent General of Indian Affairs.

Sir,—I have the honor to transmit herewith a Tabular Statement with my report upon Indian Affairs under my Agency, for the year ended 30th June last.

The number of the population has visibly increased; this is due to the fact that a large number of families, as well as individual members of the tribe, who have been absent many years, have returned.

20 families consisting of 61 souls, who still remain absent, with 300 residents, make up the total population of the Abenakis tribe.

This people has made some progress in its industries; agriculture has also slightly increased, in spite of which hard times are felt with them this year more than in the past. They evidently experience the effects of the commercial crisis, which has occasioned a considerable decline in the price of the articles composing their trade.

(\*) This school has been reopened since the date of this report.

On the subject of schools I have ascertained that a certain number of parents are very remiss in sending their children to school; a good many others are punctual enough. Those who fail in this duty say they are too poor to dress their children properly and conformable to the severity of the seasons. This is perhaps true of several of them; there are, nevertheless, those who are altogether careless on the subject of the education of their children.

The books that your Department provided several years ago have considerably decreased, and those that remain are far from new.

The teachers are two Indians of this tribe, who instruct the pupils in French and English with explanation in the Abenakis language. These two teachers are very zealous in the performance of the duties of their office. The Government of the Province of Quebec has withdrawn the grant of \$140 which they had allowed up to a late date, to the Catholic teachers of this tribe, and the Protestant instructor has also lost a grant of \$100, which was paid him annually to assist in the work of instruction.

The chiefs await with impatience the final settlement of the indemnities, at the rates fixed by a certain report dated at Ottawa the 19th July, 1869, for the lands occupied by whites, within the limits of their reserve, and they hope that the Agent whose duty it is to take the necessary steps to bring this matter to a successful termination, will soon receive all the titles establishing the rights of these Indians to this property. They also hope that according to the request made by them, the bounds of the lands which they possess in the St. Maurice, at the point called La Tuque, will be defined with as little delay as possible, so as to allow them to reap the greatest benefit, and to prevent in time the establishment of whites on their reserve.

Your humble servant,

L. A. DEBLOIS,

*Indian Agent.*

—  
No. 13.

VIGER AGENCY.

No report from Mr. LeBel.

—  
No. 14.

*(Translation.)*

QUEBEC.

AGENCY OF LAKE ST. JOHN,

26th October, 1878.

To the Honorable

Superintendent of Indian Affairs,

Ottawa.

SIR,—In reply to your circular of the 17th instant, I have the honor to submit for the information of the Government, my report for the year 1877. I regret not having received your circular of the 30th ultimo, as well as the tabular statement forms sooner; this explains my delay.

Some Montagnais families, absent for many years, returned this spring to their Reserve at Lake St. John to settle there.

The census of this year is 289 souls, shewing an increase of 43 souls.

The harvest has been excellent. Wheat and other grains have given a good investment. Those who farm are much encouraged by the good results, they increase

their farming a little each year by new clearings. They have only one yoke of oxen for their farm work; this is not enough for the present, we are obliged to hire horses at a high price in the precious season of seed time and harvest; it would be an encouragement for them and at the same time a great economy as well if the Government would give them a pair of horses.

These Indians are submissive enough, many among them shew much aptitude for the cultivation of fields. What they want is the means, I am persuaded that the money granted them for this purpose would be well employed.

The lands of their Reserve are favourable for the culture of all kinds of grain, the climate is excellent, pasture abundant for raising stock. Hunting becoming more and more rare, it will become absolutely a necessity for them in a few years to make agriculture their sole means of subsistence.

A good number of them have comfortable houses, and each year they build new ones.

There are many kinds of industry, useless at present, on account of their distance from large towns. These Indians are gentle and polite, the Montagnais above all are honest; they are honorable in paying their debts and are very temperate.

Apart from some deaths (from natural causes), there has been no contagious disease amongst them.

The amount of money received from the Department to be distributed to the most necessitous Indians was \$299.92, and that for the purchase of seed grain, agricultural implements, &c., was \$187.76; the whole has been distributed and dispensed with the approval of the chiefs.

What I regret to report is the negligence of parents in sending their children to school. A small number attend regularly. I believe that a means of encouraging these children would be to distribute each week, to those only who attend regularly, some small article of little value but of a great price for them, such as a little shawl, a cap, &c. A small sum annually would be sufficient.

For the other information, such as the value of their goods, hunting, fishing, crop, &c., I refer you to the statement of 1876; there has been very slight change.

I have the honor to be, Sir,

Your obedient servant,

L. E. OTIS,

*Agent.*

No. 15.

RIVER DESERT, 2nd November 1878.

To the Honorable

Superintendent General of Indian Affairs,

Ottawa.

HONOURABLE SIR,—I have the honour to inclose herein the Tabular Statement of River Desert Indians for the year ended on the 30th June, 1878.

And I am happy to state that the Indians here are very healthy. Except some of them that are subject to consumption.

I have also to state that they are very poor which is owing to the hunting grounds being scarce of game, and the pieces low for what they kill, and to the fact that they are not the best of farmers.

I am, Sir,

Your obedient servant,

PATRICK MOORE,

*Indian Agent.*

No. 16.

NOVA SCOTIA,  
DISTRICT No. 1

No Report from M. Harlow.

No. 17.

NOVA SCOTIA,  
INDIAN DISTRICT No. 2.  
CORNWALLIS, K.C., September 5, 1878.

The Honorable

The Superintendent General of Indian Affairs,  
Ottawa.

SIR,—I have the honor to submit, for the information of the Indian Department, the following Report with the Tabular Statement to the 30th of June last.

There are no reserves set apart for Indians in this county, and although they live mostly in slight framed houses, and have many of the comforts of civilized life, yet in the summer, they are somewhat migratory, following up the fishery on the Bay of Fundy shore, simply to obtain a daily existence.

One or two of them also engage in porpoise shooting, but the oil they obtain is sold to keen traders at half price, and does not amount to much.

I do not consider them improvident originally, but from the force of circumstances, which becomes a second nature.

Many of them are anxious to obtain lands for settlement, and would, no doubt, improve them to a certain extent, which would add, materially, to their comfort, and prevent that decrease in their number which is steadily, but slowly and surely taking place from the very nature of things.

I have received, from the Department, for the purpose of assistance to the sick, the aged and infirm within the year, and also for seed, when required, to the amount of \$79.75. Of this sum, there remains on hand—June 30, 1878—\$13.22; these sums are exclusive of \$9.22 received for medical aid.

There are no schools for Indians here particularly, but all schools are free, and one family, in South Keswick, send three constantly to the school there.

I have the honor to be, Sir,

Your obedient servant,

J. E. BECKWITH,

*Indian Agent.*

No. 18.

NOVA SCOTIA, INDIAN DISTRICT No. 2,  
CALLEDONIA, 22rd September, 1878.

The Honorable

The Superintendent-General of Indian Affairs,  
Ottawa.

SIR,—I have the honor to submit for your information the following Report, with accompanying Tabular Statement.

Previous to my assuming the Agency of this District, I found matters in a very unsatisfactory state, owing to the encroachment by White men on the Reserve grounds. I hope to have this grievance removed in a short time.

The Indians of this District live principally by fishing and basket-making. A few of them live comfortably by farming. They are very much in want of a few ploughs, &c.

Very few of them live on the Reserve, owing principally to the want above mentioned. I must confess, however, they are the most comfortable who reside permanently on the Reserve.

I have not succeeded as yet in obtaining a purchase from the Indians of the island in Keyemkegoeh Lake, owing to the temporary absence of a few of the leading Indians.

The Indians of this District are a quiet, inoffensive class of people, attending very regularly to their religious duties.

There are no schools nor teachers for the Indians of this District.

I have the honor to be, Sir,

Your obedient servant,

THOMAS J. BUTLER,

*Indian Agent.*

— — —  
No. 19.

NOVA SCOTIA, INDIAN DISTRICT NO.

CHESTER, 23rd September. 1878.

The Honorable

The Superintendent-General of Indian Affairs,

Ottawa.

SIR,—I have the honor to submit, for the information of the Indian Department, the following Report:—

Ever since my appointment to the Agency, which has been within the last few months, I have had much satisfaction in observing a marked change in the habits of the Indians of my District. They are beginning to evince, every day, a much stronger desire for agricultural pursuits than heretofore. Many of them have purchased small pieces of land, especially in Bridgewater, where they are replacing the old wigwams with comfortable houses. Those living on the Reserve have been favored with good crops of wheat, barley, potatoes and oats, and are now preparing the land to sow more extensively next spring. I do not know of any Indians engaged in shore fishing, but the river, on which they depend principally for a livelihood, have rewarded their labors this spring with bountiful results. Owing to the Indians being very much scattered, living in groups of three and four families, at a distance of twenty and thirty miles apart, I regret it is impossible for them to have a school. The Nictaux and Atlantic Railway, now in course of construction, has given employment to a great many during the past few months, and should the work continue, I feel encouraged that there will be but little suffering from indigence the coming winter. As a rule, the Indians here are a temperate people, and attend strictly to their religious duties. They are all Roman Catholics. The money I received in the spring for the relief of destitute Indians, I have distributed as my judgment best directed me, and I hope to the satisfaction of the Department. I also received \$30 for grain seed, a part of which I expended in purchasing potatoes, barley, oats, &c. I will forward immediately receipted accounts for the money received.

Owing to my recent appointment I regret I cannot send a true tabular statement this year.

I have the honor to be, Sir,

Your obedient servant,

E. J. McCARTHY.

No. 20.

NOVA SCOTIA, DISTRICT No. 5.

No Report from Rev. M. O'Connor.

No. 21.

NOVA SCOTIA, DISTRICT No. 6.

No Report from Dr. McLean.

No. 22.

NOVA SCOTIA, CUMBERLAND COUNTY,  
PARSBORO', 28th Sept., 1878.

The Honorable

The Superintendent-General of Indian Affairs,  
Ottawa.

SIR,—I have the honor to submit, for the information of the Indian Department, the following report, with tabular statement, to the 30th June last.

Having received my appointment so recently my report will of necessity be brief. I have been unable to obtain all the information required in the tabular statement; but so far as it goes, what I have filled in may be relied upon as accurate.

I find there are from sixty to seventy resident Indians in this county, and about as many more who come from adjoining counties to spend the summer here.

The principal Indian settlements are at Half-way River Lake, Athol, Spring Hill and Amberst. There are no Indians living on the Reserve. I cannot precisely state whether there has been an increase or decrease in the population, but incline to the opinion that they are gradually growing less.

Our Indians here are poor, and are at times reduced to extreme want.

Hunting is carried on to a limited extent, during the fall and winter months. During the summer they make firkins, tubs and baskets, from which they derive the greater part of their support. As a rule, the Indians here are temperate, cases of drunkenness being extremely rare.

The Reserve was formerly well wooded, but has been plundered till but a little valuable timber remains.

I have the honor to be, Sir,

Your obedient servant,

A. S. CLARKE,

*Indian Agent.*

No. 23.

NOVA SCOTIA, DISTRICT No. 8.

No Report from Rev. R. McDonald.

No. 24.

NOVA SCOTIA, DISTRICT No. 9.

No Report from Rev. Wm. Chisholm.

No. 25.

NOVA SCOTIA, DISTRICT No. 10.

No Report from Rev. J. McDougall.

No. 26.

NOVA SCOTIA, INDIAN DISTRICT No. 11,

INVERNESS, RIVER INHABITANTS,

24th September, 1878.

The Honorable

The Superintendent-General of Indian Affairs,

Ottawa.

SIR,—In compliance with the request of the Department of the Interior, Indian Branch, of date 14th ultimo., I beg to transmit my report of the Indians (Mic-mac Tribe) of Indian Reserves at Whycocomagh and Malagawatch, for the year ending 30th June, 1878.

The tabular statement accompanying this report will, I hope, furnish the Department with all the statistical information required.

Some of the Indians under my Agency are unjustly used and trespassed upon by some of their White neighbours by fencing and improving, ploughing and sowing on the Indian Reserve at Whycocomaga against the will and consent of the Indians occupying the same, and driving away the poor Indians when they begin to plant on parts of said Reserve. On one occasion the White people took from them their hoes (planting implements), spilt and scattered their potatoe seed on the ground, and sent them away by force and threats. These *white* trespassers maintain that they will not give up these fenced in fields until they will be paid for the trespassed improvements. They are also yearly cutting and carrying away wood for fuel, fence poles, &c., for their own use and selling it against the will and consent of the Indians and not paying them for either wood or poles. The Indians on these Reserves are a law abiding people, and they are in hopes, from year to year and from time to time, the Indian Department will take such measures as will stop these trespassers from intruding on them. Some are unable to keep a cow or a sheep on account of their White neighbours fencing and keeping from them their meadow and pasture land.

In my tabular report I have included the prices of Indian Reserves fenced in by the trespassers on the lots laid out for the Indians and occupied by them.

I understand that the \$120 aid money annually given by the Department (the one-half for seed-grain and potatoes in the spring) has always been semi-annually divided equally among heads of families, is not alone used for seed; but also in paying to plough and manure the land to put the seed in.

Many of them are poor, yet not all from idleness. The chief causes are improvidence, the high price of provisions and dry goods, and the fact that they get much less for their work at the Reserves, such as butter-tubs, keellers, churns, washing-tubs, baskets, &c, &c., than they get some distance from home in other parts of the county and Province, and also, the advantage their White neighbours take of them in driving their cattle on the Reserves in summer, which for want of good fences eat and destroy their grass, crops and pasture.

Fishing is not followed by them as a business; yet the Indians occasionally spear eels and cod fish, and a few salmon when they can get them and some other kinds of fish for their own use, but do not sell much.

The Indian school on the Whycocomagh Reserve is taught by a John McEachen, well qualified and of many years experience, is well conducted and giving general satisfaction, but the average attendance is not all that I would expect or desire.



About one-half the children attending school are orphans, some of them brought up by their grand parents; the concomitant difficulties that naturally attend the want of warm clothing, shoes and moccasins, in conjunction with the want of school apparatus, account very materially for the non-attendance of the children. Notwithstanding these difficulties, so much calculated to impede the progress of education, some of the Mic-mac school-going children can read, write and cipher with astonishing facility, and their knowledge of geography is truly surprising.

The Indians are not the best of farmers, yet I am happy to report a decided improvement in such of them as devote the most of their time to agricultural pursuits, and the rising generation with the advantage of the school for which they feel grateful, will have a better opportunity.

The timber mentioned in the tabular statement accompanying this report was timber made by the Indians, with a few others to assist them, and sold by them, and for their benefit.

The quantity of wood for fuel and fence poles taken by the trespassers I am not yet in a position to ascertain.

The Indians, both male and female, coming under my Agency, are with very few exceptions industrious and of very sober habits; many of them are teetotallers.

The resident Presbyterian Minister at Whycocomagh, Rev. Mr. Stewart, and some other gentleman, there are very charitable and kind to the "Aborigines" in relieving them in extreme want and indigence, which is quite at variance with the doings of some of their other white neighbors. During the year there have been four marriages, ten births and seven deaths, viz: four grown up persons and three children.

I have not heard of any contentions among them worth notice. Cases of gross immoralities are of rare occurrence among them, owing, I presume, to the salutary instructions of their missionary priests attending on them.

There has been no contagious disease amongst them during the past year.

I have no funds at my disposal for occasional relief of the aged and infirm members of the Band, who are depending on their friends who are in very limited circumstances themselves.

The Indians complain that a main public road was laid out and finished through their meadow land last year without any compensation being allowed them for soil or fencing, but I do not know from what funds they can get compensation.

All which I most respectfully submit.

I have the honor to be, Sir,

Your obedient servant,

DONALD McISAAC, P.P.,

*Indian Agent.*

No. 27.

NOVA SCOTIA, DISTRICT No. 12.

No Report from Mr. MCGILLIVRAY.

No. 28.

GRAND NARROWS, CAPE BRETON,  
24th September, 1878.

The Honorable

The Superintendent-General of Indian Affairs,  
Ottawa.

DEAR SIR,—I beg to submit the accompanying Return of Indian Affairs in the County of Cape Breton. As I have only received my appointment in May last, I cannot report progress in any particular branch.

School is in operation at Escamoni since the 1st of May, and giving general satisfaction.

Respectfully yours,  
M. MCKENZIE,  
*Indian Agent.*

No. 29.

CHATHAM HEAD, N.B.,  
3rd October, 1878.

The Honorable

The Superintendent-General of Indian Affairs,  
Ottawa.

SIR,—I have the honor to submit, in accordance with instructions, the Annual Report on Indian matters for the year ended 30th June, 1878.

I am pleased to report an improvement in many of them having given rather more attention to farming, and in other places more attention to fishing.

There is an apparent increase in the population, but I may not have been able to get them all last year, they are so migratory. They are very anxious to have schools amongst them, but it is a difficult matter to get them to assist in any way towards preparing for the same.

I have, however, had one school opened for three months, taught by an Indian, and you will observe by tabular statement, that the attendance was fair, and I think with better arrangements, &c., the schools would work to good advantage to the Bands.

As regards habits, &c., there is not much difference, the majority of them are still heedless of the future.

It is difficult to prevent them from procuring intoxicants, as many White people will purchase it from the liquor dealers for them, and in those cases it is almost impossible to bring the proof home.

I enclose statement which will furnish the Department with all the statistical information.

I have the honor to be, Sir,  
Your obedient servant,  
CHAS. SARGEANT,  
*Visiting Superintendent.*

No. 30.

FREDERICTON, N.B.,

19th December, 1878.

The Honorable

The Superintendent-General of Indian Affairs,  
Ottawa.

SIR,—I have the honor to enclose tabular statement for the year ending the 30th June, 1878, connected with Indian Reserves within my superintendence.

I have made it up with great care, and where I have not been able to give exact figures, have approximated as nearly as possible.

I find the Indians in some of the localities very unwilling to give me information, from the fact of my not distributing more among them, which is certainly not my fault; although I know they believe that I am to blame and could easily give them more. It is certainly an unfortunate state of things, and I do think that they have been hardly dealt with, and if a reasonable amount were supplied them I should have very much less trouble.

I will communicate more fully again regarding aid.  
Report will be sent very soon.

I have the honor to be, Sir,

Your obedient servant,

WILLIAM FISHER.

NEW BRUNSWICK,

WESTERN SUPERINTENDENCY,

FREDERICTON, 27th Dec., 1878.

The Honorable

The Superintendent-General of Indian Affairs,  
Ottawa.

SIR,—I have the honor to inform you that, in accordance with your circular of the 14th August last, I herewith enclose a report upon Indian Affairs connected with my Superintendency for the year ending the 30th June, 1878.

The tabular statement forwarded by me a few days since to your Department is as complete as I could possibly make it, under all the circumstances, and you will no doubt find the information therein contained useful for your general annual report.

Having reported so fully formerly there does not appear at present much to report upon, except in some particular points, to which I shall now call your attention.

The concurrence given by the Indians to the Tobique Indian Reserve some time since has been the means of enabling me to sell at public auction, in the same manner as that pursued by the Government of New Brunswick, and the result so far for the winter of 1877 and 1878 has been exceedingly satisfactory, a certain sum having been derived from stampage and placed to the credit of the Hon. Receiver-General of Canada, on account of Indian Funds, thereby preventing the lawless trespasser from appropriating to his own use improperly, which has unfortunately been too much the case for a long period, more or less annually, and particularly in consequence of the carelessness, negligence and very great indifference of the Indian people belonging to that Reserve, in not looking after their own special interests in that respect; and also preserving from danger of forest fires the value of at

least a certain portion of the timber on the Reserve, with a prospect of adding something more to Indian Funds from the same source, during the winter of 1878 and 1879.

The Indians belonging to the Reserve at Woodstock, in the County of Carleton, although often requested to assent to permit the Indian Department to dispose of the few hundred sawlogs, and probably other timber in that Reserve, in the same manner as that of the Tobique Reserve, still adhere to their former determination not to do so, which for many reasons is to be regretted.

Regarding schools, in my last annual report, among other things, I called the attention of the Indian Department to the fact that the Indians of the Tobique Indian Reserve had at last agreed among themselves, and come to the conclusion to have a school established upon the Reserve, and would like to know how much money the Department would allow a teacher annually, provided they selected a suitable person; and they also wished to ascertain whether the Department would grant them a certain amount for the repairing of a building which could be used as a school house, and would give in addition something for furniture, books, etc., etc., for the purpose of enabling them to carry on the school for the benefit of those connected with the Reserve. The reason they give for requiring additional aid for furniture, books, etc., etc., is that they are too poor to purchase the articles enumerated; and unless they are assisted in this manner they would very likely not be able to carry on the school. I do not apprehend that the cost of the articles mentioned would amount to much, and should like to see a beginning somewhere; and if a school was once established at Tobique it might lead to a similar one being established at Kingsclear, in the County of York, the Indians of which Reserve feel anxious to have a school among them upon a similar basis, and the result would be advantageous.

During the spring, when I visited the Indians of Little Falls Reserve, in the County of Madawaska, I met John Costigan, Esq., M.P., John J. Hodgson and John Hartt, Esquires, of that County, and an arrangement was entered into by which several Indian children of that Reserve were admitted into the common school of that district, and I had the great pleasure of visiting this school and seeing the little Indian boys and girls, looking clean and neatly dressed, in their respective seats, together, quiet, orderly, and conducting themselves as well as need be, presided over by a young lady, apparently well qualified and also accomplished, with whom I had some conversation regarding the care and attention I should like to see bestowed upon the Indian children, and have no doubt that in due time, if they are permitted by their Indian parents to continue their attendance, will shew the fruits of their assiduity and the teacher's training.

The Indians of the Tobique Reserve, in the County of Victoria, as well as the Indians of the Woodstock Reserve, in the County of Carleton, and the Indians of the Kingsclear Reserve, in the County of York, would like to have their several Reserves surveyed, and I think it would be prudent to have the same done, because the boundaries in all these Reserves require defining, particularly so regarding the Kingsclear Reserve, for to my certain knowledge there have been slight disputes among the adjoining farmers and some of the Indians, each party claiming the land the line fences on which appear uneven; and it might be the means of preventing fiercer disputes, and lead to a better understanding between the Indians and their White neighbors; and, in addition to the defining of the boundaries, it would be well at the same time to divide a portion of each Reserve into lots, so that any Indian who might desire to occupy and farm could do so, and know exactly what part of the Reserve is really appropriated for his own purposes, and might be a means of causing them to become more ambitious, and ultimately lead to an improvement in their condition, which is very desirable.

During the early part of the current year I had a great deal of trouble with the Indians, in consequence of the too free use of intoxicants among them. Having called the attention of the Department to this matter so fully, previously, it is needless to say anything more than to state that the chief difficulty lies in being

unable to get some of the magistrates and police authorities to perform their duty. There has not appeared to be as much intoxication among the Indians latterly, but I attribute it somewhat to the scarcity of money among them, although the existence of the very strict laws regarding the sale and giving of intoxicants, with the additional threatening on my part, has been the means of doing some service, but a more efficient remedy is, I am happy to state, near at hand in some of the districts at least, and that is the removal of the cause of the terrible temptation from amongst them, through the operation of the Temperance Permissive Act, so called.

Having called the attention of the Department long since to the small amount of pecuniary aid and seed money distributed among the Indians within my Superintendency, for some years past, and more particularly during the current year, it appears to me to be necessary to go more into detail than formerly; but if you will examine and compare the amount bestowed upon the Indians of New Brunswick, with that of Nova Scotia and Prince Edward Island, of the Maritime Provinces, not speaking of Ontario, Quebec, and other Provinces in the upper part of the Dominion, you will find that the medical treatment of the Indians of New Brunswick has been sadly and unjustly neglected, and with the exception of some small amounts paid to medical men for services and medicines in some parts of my District (I do not allude to the extraordinary expenditure made for small-pox and vaccination during one or two of these years, but I am speaking of ordinary annual expenditure among the Indians), I do assure you that, with the exception above, I have had to pay medical men and for medicines solely out of the small amount sent to me for pecuniary aid, and have at times been constrained from necessity to withhold medical aid in consequence of being compelled to take from the pecuniary aid funds, and even then having for that purpose a sum quite inadequate to the wants of the Indians. You have hardly any idea of the difficulty experienced in meeting their pressing wants at particular periods. The fact of the matter is that, generally speaking, all the blame falls upon the agents thus placed, the Indians in some cases believing that the agents appropriated the funds to his own uses, and in others could very easily obtain all the money required.

I sincerely trust that your review of the whole question of funds sent to me for years past, that you will see the absolute necessity of increasing the amount for pecuniary aid, seed and for medical purposes. A small additional sum in each case would probably meet the difficulty, and place me in a position not so humiliating as at present. I know that the demands upon the Dominion Exchequer are large, but justice ought to be done to the Indians of New Brunswick notwithstanding.

I cannot note any progress in agriculture, and certainly much cannot be expected when the small amount of money appropriated for that purpose is taken into consideration.

In some cases, owing to the great poverty of the Indians, and want of appliances to put the land in order, some of the money specially appropriated for seed is used for the purchase of food. Although I have strongly remonstrated against this course, and believe that the difficulty could be overcome partially, at least, if the Department could bring itself to believe that the Indians rightly deserved and required more assistance.

I have the honor to be, Sir,

Your obedient servant,

WILLIAM FISHER,

*Visiting Superintendent.*

—  
No. 31

PRINCE EDWARD ISLAND.

No Report from MR. STEWART.

No. 32.

MANITOBA SUPERINTENDENCY,  
WINNIPEG, 31st October, 1878.

The Honourable,  
The Superintendent-General of Indian Affairs,  
Ottawa.

SIR,—I have the honor to acknowledge the receipt of your circular letter dated the 14th of August last, together with your circular letter of the 17th inst., No. 9,570, requesting me to send you a report, with statistics, &c. with regard to the Indians in this Superintendency.

I beg to answer that, under the new organization of this office, no report of this kind can be sent unless the necessary information is supplied by the Agents or by the Inspector of Agencies.

The Agents, I believe, have been instructed to report direct to your Department, and the Inspector of Agencies has never communicated to this office any information or report that would enable me to answer your above-mentioned circular as it is expected they should be.

Under these circumstances I have the honor to represent that there is no information in this office that could afford me the means of sending you the information or the report asked for.

I have the honor to be, Sir

Your obedient servant,

JAS. F. GRAHAM,  
*Acting Indian Superintendent.*

No. 33.

COUCHICING AGENCY,  
RAINY LAKE, 25th September, 1878.

The Honourable  
The Superintendent-General of Indian Affairs,  
Ottawa.

SIR,—I have the honor to transmit tabular statement, with Report on Indian Affairs within this Agency for the past year.

On the 23rd July, 1878, I made the payments to eleven Bands at this Agency, although the time named for the supplies to be delivered at this place was the 12th July, only part of them reached on the 2nd July, the gilling twine did not arrive till the 19th September.

On 25th July, I started to pay the Lac Seus and Mattawan Bands, the former I paid on the 31st July and the latter on the 4th of August. The Indians of Wabyon and Eagle Lakes I paid *en route*.

*Reserve No. 18.- Mickiseese and Gabay, Rainy Lake.*

These Chiefs have their Reserve in common but they do not agree, they wish their several Reserves to be separate. The Half-breeds are paid their annuities with Mickisees, and although both the Indians and Half-breeds have excellent land on their several Reserves, they hardly raise enough potatoes to pass the winter. A

small quantity of wheat and barley was given to them last spring, but on visiting the Reserve I found that they were too indolent to put up fencing, and the cattle destroyed the grain.

They have six houses and one stable. They have only received one ox; a requisition has been sent for the remainder. The Half-breeds who are with this Band have also four horses.

*Reserve No. 26.—Naitawee Comickinung, Rainy Lake East.*

This Band planted sixty bushels of potatoes, and also sowed one bushel each of wheat and barley, but the Chief informed me that it did not ripen. They have requested part of their cattle this season, and they appear anxious to improve their condition. They have three horses and one stable.

*Reserve No. 17.—Whashesconce, Rainy Lake N. W.*

This Band planted 20 bushels of potatoes and also a small quantity of wheat and barley, but I am sorry to say did not succeed. They are not prepared to receive their cattle, they are making preparations for next season. They have only one house.

Several of this Band still plant on their old gardens, which are principally on Islands.

*Reserve No. 27.—Kakkeewayash, Wabegon and Eagle Lakes.*

This Band have their Reserves on Wabegon and Eagle Lakes only part of this Reserve was surveyed, as the surveyor was recalled; they are anxious that the remainder should be surveyed. They planted seventy bushels of potatoes last spring. They have ten houses. They are not prepared to receive their cattle.

*Reserve No. 14.—Keetcheeingahcehung, Rainy River.*

This Band plant corn and potatoes; they have not made much advance as only the Chief and few of his followers reside on the Reserve; they have three houses. They have received all their cattle, but lost four head last spring partly by accident and want of proper care.

*Reserve No. 15.—Guscongoin, Rainy River.*

This Band still plant on the American side, as they had their gardens on that side before the treaty. They plant corn and potatoes.

This Band have received all their cattle, but have lost three head by accident and want of proper care. They have three houses.

*Reserve No. 13.—Mawintoobinesse, Rainy River.*

This Band plant corn and potatoes, they also sowed some wheat and barley. They have three houses and have received all their cattle; they lost one cow last winter by being hurt on driving from Winnipeg to the Reserve. Only the Chief and three of his followers reside on the Reserve, the remainder of the Band are wanderers.

*Reserve No. 12.—Neeshotai, Rainy River.*

This Band plant corn and potatoes, they also sowed some wheat and barley. They have four houses. They have received all their cattle.

*Reserve No. 11.—Keetchcekaikake and Maskeekeenie, Rainy River.*

These Bands have their Reserves in common; they plant corn and potatoes. The latter Chief has only three families who reside on the Reserve, the remainder of the Band reside at N. W. Angle. They have been notified that they must reside on the Reserve and cultivate the soil. Baitcekipeness, the Chief of one these Bands, died spring 1878, and his son was elected as per Sect. 61 of Indian Act. They have three houses, and Keetchcekaikake has received all his cattle.

The other Bands are not prepared to receive their cattle.

*Reserve No. 10.—Reejickookai, Rainy River.*

This Band plant corn and potatoes. They sowed some wheat and barley, but owing to the Chief and part of his followers leaving the Reserve to visit the Sioux Indians at Devil's Lake their gardens were destroyed by their cattle. They have three houses and one stable. They lost an ox by falling on the ice in driving from North-West Angle to the Reserve.

*Reserve No. 28.—John Cromastie, Lac Seul.*

This Band only plant potatoes, they planted 157 bushels last spring. Seed grain will be sent to them for next season, as they are anxious to plant and sow corn and wheat. They have 17 houses and one stable. The Reserves of this Band, as you are aware, have not been surveyed, and the Chief is anxious that the three several Reserves which they have chosen should be surveyed. Two are on Lac Seul and one on Shoal Lake, and as the distance from one of the Reserves to Shoal Lake is fifty miles, they have requested cattle for this part of the Band, and also tools and saws. They have lost four head of cattle partly by accident and partly by want of proper care. This Band have requested a teacher.

*Reserve No. 21.—Saeketcheway, Mattawan, English River.*

This Band have small gardens of potatoes, they planted 118 bushels of potatoes last spring. They are anxious that their Reserves should be surveyed as they still plant in their old gardens. They have choosen a place on English River named Assuhescousewecah for one of their Reserves and the other at entrance of Mattawan River. They have also applied for a teacher. Only part of the cattle have been received by this Band. They have requested the remainder this season. This Band have 12 houses, four at Mattawan and eight on the other location.

*Liquor.*

As there are no police in this section liquor is brought in both from Thunder Bay and Winnipeg, and in two instances given to Indians: the first was a raid the River Indians made on a whiskey dealer and seized his liquor, the second was a present given by one of the dealers to several Indians, and they could not resist the temptation. The dealers always camp on the American side and neither the Whites or Indians will infcrm.

*Teachers.*

There is a general desire amongst these Indians to have schools established; not only to teach their children reading and writing, but also the young men to plough and the use of tools.

I am sorry to say that notwithstanding the River Indians have received cattle and ploughs, very little land has been broken up, although on five of the Reserves the land has been cleared, as they have been sites of ancient villages.



Notwithstanding the low price of furs, the Indians have had fair returns for their hunts, as the Hudson Bay Company only slightly reduced the price of furs, and as rabbits were numerous they did not suffer for want of food, and this season the wild rice has been abundant.

The general health of the several Bands has been good. The diseases most common are scrofula and those brought on by exposure to cold, and I am sorry to report several cases of venereal. Dr. Robinson has administered to these Indians since his residence here.

I have the honor to be, Sir,

Your obedient servant,

R. J. N. PITHER,

*Indian Agent.*

No. 34.

ASSABASKASSING AGENCY, 16th December, 1878.

The Honorable

The Superintendent-General of Indian Affairs,

Ottawa.

SIR,—I have the honor to acknowledge the receipt of your letter No. 9,570, dated 17th October last, here on the 11th, and in reply.

The circular with the enclosed tabular statement, dated 14th August last, addressed to me by the Superintendent General of Indian Affairs, I only received here on the 26th October last, brought by chance opportunity from Rat Portage one day before the lake where I am closed with ice, and from that date to within a few days back the ice has kept weak, unfit to travel on, caused by the long continuation of mild weather, and another thing, at the time I received the circular I was laid up with sickness which kept me from attending to my work to within a few days ago; having no person within reach that I could call upon to assist me, I had to wait until I recovered to attend to the tabular and report, which I have sent off, though imperfectly, alone to Rat Portage on the 9th inst., hoping from thence to be sent to Winnipeg.

One great draw back I have where I am, no mail ever passed here with the exception of the one that brought your present circular since I have been appointed Agent, and instructed to have my residence here. I have had to hunt up letters sent to me at my own expense, and in many instances letters have been brought to me by chance persons passing my place, and in such cases often I have to pay them dearly for their trouble; often occur that letters of business from Winnipeg are one to two months old before I receive them, in consequence it is impossible for me to do my work to satisfy my employers.

Another thing, I am expected to send a monthly return of statements of the distribution of provisions to destitute Indians; to fulfil this duty I have to send monthly either to North-West Angle or to Rat Portage to get them forwarded from thence to Winnipeg, which I do at my own expense, and it is not every time when I have to send that I can find a person at hand to do the work.

If nothing is done for the better in sending off and getting in my letters of business, I cannot be expected to be able to satisfy my employers.

I have the honor to be, Sir,

Your obedient servant,

G. McPHERSON,

*Indian Agent.*

No. 35.

MANITOBA, DISTRICT No. 2,

MANITOBA HOUSE, 14th September, 1878.

The Honorable

The Superintendent-General of Indian Affairs,  
Ottawa.

SIR,—Herewith I have the honor to transmit tabular statement with report on Indian Affairs within this Agency for the past year.

I beg however to premise that I have not succeeded in getting a correct tabular statement.

The affairs pertaining to the Bands under my care, I am happy to say have gone on satisfactorily during the time they have been under my supervision.

*Lake Manitoba.*

This Band numbers 171, showing a decrease of 47 since last year.

This Reserve has been surveyed last winter. They beg to ask that their Reserve be extended beyond Dog Creek, so as to include farms which were under cultivation before the Reserve was laid out. Should their request be granted it would extend the Reserve a mile or so to the west.

*Ebb and Flow.*

This Band numbers 176, showing an increase of 84 since last year.

The experience has shown that the land for farming in parts of this Reserve is not suitable for that purpose, being subject to inundation in wet seasons, causing great losses in consequence thereof.

They beg to ask that a certain ridge situated about one mile and a half to the west side of the present Reserve be granted to them for the purpose of farming.

*Water Hen.*

This Band numbers 117, showing an increase of 3 since last year.

These Indians want their plan of the Reserve altered as follows:—

The west part to be extended as far as a small river running about one mile west. The reason for their wanting this is that fish are plentiful in this river as well as that several farms have already been cultivated here.

*Fairford.*

This Band numbers 204, showing an increase of 26 since last year.

The Indians of this Reserve are divided into two distinct villages, one at the "upper" and the other at the "lower" end of the Reserve, making a distance of five miles apart.

Great confusion is caused here in consequence of their being only one school; the distance being too great for children living in the upper village to walk to the lower village.

The Indians of the upper village beg that a school and teacher be given to them, having a sufficient number of children to form a school of their own.

*Lake St. Martin.*

This Band numbers 104, showing a decrease of 17 since last year.

Contentment generally prevails among the Indians of this Tribe.

*Little Saskatchewan.*

This Band numbers 91, showing an increase of 10 since last year.

The Reserve has not yet been surveyed for this Tribe, causing great dissatisfaction amongst them.

They are desirous of having the survey completed this year if possible.

*Riding Mountain.*

This Band numbers 108, showing a decrease of 43 since last year.

There is no timber suitable for building purposes.

The Indians beg permission to cut pine on Government land.

I have the honor to be, Sir,

Your most obedient servant,

H. MARTINEAU,

*Indian Agent.*

No. 36.

PROVINCE MANITOBA, ST. PETERS' AGENCY,

TOWN FORT GARRY, 30th September, 1878.

The Honorable

The Superintendent-General of Indian Affairs,

Ottawa.

SIR.—I have the honor to submit the following report on Indian Affairs in this Agency.

I have, however, to regret that I have been unable to procure the necessary statistics with which to fill up the tabular statement.

This Agency includes the St. Peters, Brokenhead River, Fort Alexander and Black River Bands.

Each of these bands received seed grain and potatoes in the spring, and there is every appearance that they will reap a good return, although in some places the carrots, onions, and even potatoes were cut down by a kind of grub.

The St. Peter's Band is the largest one in my Agency, numbering 1,601 persons, and, being situated in the settlement belt, is the most advanced in agriculture.

About two-thirds of the number are living in good log houses in the Reserve, along the banks of the Red River and Netty Creek, and doing more or less farming, some having as much as twenty or thirty bushels sowed this year.

In the fall the most of them go to the lake for white fish, which forms a very important item in the winter stock of food. Except for two or three months in the year, there is generally a plentiful supply of fish in the river and creeks.

In the spring of the year they turn their attention to hunting musk rats, of which large numbers are taken annually. The balance of the band live in huts, either on the Reserve, in different parts of the settlement, or winter out on the lake, hunting and fishing,

A few are very comfortably settled outside of the Reserve, on lots which they held before the treaty was made.

The greatest difficulty here, and the one that has caused much dissatisfaction and trouble, is in regard to that portion of the Reserve forming the inner two miles on each side of the Red River, which at the time of the treaty was owned and occupied by individual Indians, they having either bought or received it from the Chief; they have since that time sold their claims to white men, who now insist on their right to occupy the lots; this the Indians resist, and claim that no purchase of land in the

Reserve, subsequent to the treaty of 1871, is valid, and that all trespassers should be turned off the Reserve with as little delay as possible.

There have heretofore been two schools on the Reserve, attended by both Indian and White children; but on account of a disagreement about a teacher, the school was in February last closed by the trustees, against the Indians, as already reported; and although since reopened by the trustees, who employed a teacher without consulting either the wishes or interests of the Indians, very few of the Band children attend it.

#### *Brokenhead River.*

This Reserve is occupied by two Bands—the Heathen, or Fort Garry, and the Christians; the former has about 426 members, the latter only 73. These were formerly included in the St. Peter's Band, but having established themselves at Brokenhead River, they have been paid there and otherwise looked upon as a separate Band, although their Chief and Councillors have not yet been fully recognized by the Department. They have settled down on the Reserve and have built houses, but so far have made very little progress in agriculture.

The Heathen or Fort Garry Band, has not, with the exception of the Chief and a few followers, yet settled down on the Reserve, being scattered all over the country from Pembina to the Portage; a great many have however signified their intention this year of settling down and learning to farm.

There has been no school on this Reserve for the last three years.

They make their living almost entirely by hunting and fishing.

#### *Fort Alexander.*

This Band has about 445 members English and French, but under one Chief. They have two schools, one in connection with the English Church Missionary Society, the other with the Roman Catholic Mission. The latter has been regularly kept up by Mr. Tabouret, who is one of the best teachers in my Agency, although his whole salary from both the Department and the Mission only amounts to \$250 a year. I was very much pleased to notice the improvement during the year in the pupils on my last visit.

The English School has now been closed for several months, as I have found it impossible to secure the services of a suitable teacher for the Departmental allowance of \$150 per annum.

The members of this Band are rapidly settling down on the Reserve, building comfortable houses and turning their attention to farming, although the land along the River is wooded and a great deal of labour is required before any return can be obtained.

They procure the greater part of their winter food from the fall fishing—the most of them hunt during the winter and spring.

Their supply of grain and potatoes has been well cultivated and promises a good crop.

#### *Black River.*

This Band has only 51 members, all of whom, with the exception of a few who are in the Hudson Bay Company's service, are settled down on the Reserve and have houses with small plots of land under cultivation.

They have a school which is very fairly attended, and the teacher, Mrs. Hope, a member of the Band, apparently takes great interest in it; but they labour under the disadvantage of having no school house, the school being kept in the dwelling of the teacher—and are very anxious to have one. Already they have timber and logs on the lot they have laid aside for school purposes, but want assistance in putting it up and finishing it.

In the fall they lay in their stock of white-fish and through the winter occupy themselves in hunting.

They are very much disappointed that their Chief and Councillors have not yet been recognized by the Department, and are anxiously expecting that it will soon be done.

In conclusion, I beg to say that the health of the Indians in my Agency during the past year has been fairly good, with the exception of an epidemic of scarlet fever in the St. Peter's Reserve, in which, owing to the kind and humane attentions of several ladies and gentlemen connected with the Church Mission Society, the disease was not more fatal than in other parts of the Settlement which it visited.

There has only been one conviction for selling liquor to Indians. This is not due to the want of cases but to the lack of proof.

I have the honour to be, Sir,

Your obedient servant,

DAVID YOUNG,

*Indian Agent.*

— — —  
No. 37.

PORTAGE LA PRAIRIE AGENCY,

26th September, 1878.

The Honorable

The Superintendent-General of Indian Affairs,

Ottawa.

SIR,—I have the honor of transmitting to you tabular statement of census of the several Bands of Indians under my charge for the year ending 30th June, 1878. The Band of Indians acknowledging Yellow Quill as Chief, have their Reserve in Township five, in Range 11 west, in the Province bounded on the south by the Swan Lake or Pembina River, and comprising about 11,200 acres of first quality farming land with a considerable portion of wood. The members of this Band are not satisfied with their Reserve, and will not settle down on it, as they claim their Reserve should extend from the Assiniboine River on the north to the Pembina River on the south. This Reserve was set apart after the renewal of the Treaty by Ex-Governor Morris in 1876, and surveyed by J. L. Reid, Esq., Dominion Land Surveyor. I had no means of obtaining accurate information with regard to the amount of fees taken during the year, as most of the Indians leave for the hunting grounds as soon as the payments of their annuities are made in July, and what little farming is done by them is done on pieces of land which they had under cultivation previous to the Reserve being set apart.

The Band of Indians acknowledging Short Bear as Chief, have their Reserve on the north side of the Assiniboine River, in Townships 9 and 10, in Range 8 west, in this Province, comprising about 10,780 acres of mostly timbered land, soil of a light sandy loam except in River Valley, where it is rich clay loam, and well adapted for all kinds of grain and vegetables. The potatoes and other root crops look well. A number of this Band remain about the settlement and find considerable employment during haying and harvesting, and attending to cattle and cutting wood during the winter months, by which they make a livelihood. They too are quite dissatisfied as they say the Government is not carrying out the promises which were made at the time the treaty was made in 1871.

The Band of Indians acknowledging Nahweecheewaykapow as Chief, have their Reserve at the west end of Lake Manitoba, in Township 18, in Range 9 west, comprising about 12,000 acres of land, of which by far the largest portion is unfit for

cultivation, but is well adapted for grazing purposes. The members of this Band show a disposition for farming, but owing to the succession of wet seasons for the past three years their efforts have been in vain, as their crops were nearly all drowned out in 1877. They have 24 comfortable log houses and nine stables, and have increased their live stock considerably within the past 18 months, having now 57 head of horses, 15 oxen in their own right and one Government ox, 22 cows, 46 head of young cattle and four pigs all in their own right. This Band will soon require a school as they have 44 children of school age, and I was told when I was paying them their annuity that they were preparing a school house so that they could demand a teacher. I was unable to ascertain the amount of furs they sold during the season, as they sell or trade to private parties for provision and other things; they catch but few fish beyond what they require for their own use. The members of this Band seem quite well satisfied with their Reserve and the manner in which the terms of the treaties are generally carried out, still expecting to receive seed, grain and oxen to enable them to till the soil.

I have the honour to be, Sir,

Your obedient servant,

FRANCIS OGLETREE,

*Indian Agent.*

-----  
No. 38.

No Report from Mr. NEWCOMB.

MANITOBA.

-----  
No. 39.

No Report from Mr. HERCHMER.

MANITOBA.

-----  
No. 40.

MANITOBA SUPERINTENDENCY,

WINNIPEG, 31st December, 1878.

The Honorable

The Superintendent-General of Indian Affairs,

Ottawa.

SIR,—I have the honor to inform you that in accordance with instructions received from the Department of the Interior, dated the 19th of November, 1877, I visited during the last summer nearly all the Indian Bands in the Manitoba Superintendency, with the exception of those under the Agency of Mr. Amos Wright, of Prince Arthur's Landing. During my tour of inspection I travelled a distance of about 3,000 miles, and had ample opportunities of becoming acquainted with the character of the Indians comprising the different Bands that I visited. I was gratified to find that wherever I went there was manifested such a feeling of loyalty and devotion to the Crown, and reverence for the name of Her Majesty, which fully convinced me that nothing short of the most unjust treatment will ever alienate their affections from the land of their birth, and destroy their confidence in those institutions which are the safeguard of every British subject irrespective of creed, race or color; and to such extent is this sentiment indulged in by them, that the waving of the Union Jack not unfrequently marks the spot where the buried Chief lies.

The condition of the Indian in his nomadic state, where he lives in his wigwam and subsists on the fruits of the chase, is much inferior to that of his more provident brother who has profited by the example of the missionary, the trader or the half-breed, and has settled on his Reserve, where he is being gradually inducted into the arts of husbandry, and where his children are having the advantages of education. The superior condition of the one over the other is manifested by the appearance and construction of his comfortable log cabin, neatly thatched with grass, and floored deftly with lumber of his own manufacture, and also by the well cultivated garden patches of wheat, barley, maize, potatoes, turnips, carrots and onions, which surround his cosy dwelling. I am strongly of the opinion, from the importunities of Indians throughout this Superintendency, for cattle, seed grain, farming implements and schools, as well as from their urgent solicitations for farmers to teach them how to cultivate the soil, that under judicious supervision and instruction they would soon develop into successful agriculturists and skilful tradesmen. The establishment of an Industrial School in some central place, where the Indian youth of both sexes could be taught the various industries, so as to enable them to impart the knowledge thus acquired to their less favoured kindred, would, in my judgment, be the most efficient and practical system to adopt for the amelioration of the present dependent condition of the red man, and for enabling him to become self sustaining and independent.

There are comparatively few Government schools in operation in this Superintendency, and I regret to say that the majority of them are of a very inferior grade, on account of the incompetency of many of the teachers in charge. In numerous instances, where no schools have been established, the Chiefs and councillors expressed the desire that their children might be educated, and requested me to ask the Government not only to send them teachers, but also to build them school houses. I attribute the low standard of the schools to the small amount allowed by the Government for the salary of teachers in each Reserve, for only the most inefficient ones can be obtained at such a consideration. I would, therefore, beg leave, to suggest that a larger allowance be granted for that purpose, and that only efficient teachers be engaged.

The general progress of the Indians in agriculture throughout this Superintendency is extremely gratifying. Their appreciation of the necessity of depending more upon the products of the soil and less upon those of the chase is evinced by the eagerness with which they turn the agricultural implements they possess to good account. Numerous instances can be cited where the members of Bands with ploughs and harrows, but without cattle or horses, have actually harnessed themselves and ploughed and harrowed their fields—ingenious use of ropes and portage straps. In other cases they have made train dogs do the work of the ox and the horse rather than make no use of the implements provided. They use the grub hoe very successfully in the absence of more suitable implements in the cultivation of their garden patches, from a fraction to six or seven acres in extent. Excellent crops of wheat and other grain have been raised on some of the Reserves by the use of no other implement. These brief references will serve to indicate that the Indians of the North-West appreciate to a gratifying extent the advantages of looking to the soil for subsistence in the future. The stern "logic of facts" has forced upon them the conviction that dependence upon the products of the chase is becoming every year more uncertain. I have been careful to impress upon the Agents the necessity of using their best efforts to stimulate the Indians to greater perseverance in the direction of agriculture, and I am sanguine as to the future advantages to them and to the Government, if reasonable and proper encouragement be afforded them to cultivate their lands. It is unfortunate that many of the Reserves are not well adapted for agricultural purposes, the land being either marshy or rocky and often both. The expressed desire for a change of limit in such cases upon the part of the Bands is but reasonable and deserving of consideration.

In listening to the complaints of the Chiefs and headmen of the several Bands, I found that considerable dissatisfaction is created by the encroachment of White

settlers upon their Reserves. I would therefore suggest the expediency of surveying, at as early a date as practicable, the locations they had pointed out as reserved. I think also it would be advisable to instruct the Dominion Lands Agent, or the Timber Inspectors in connection with the Lands Department, to protect the Indian Reserves as they protect Dominion and School Lands from illegal timber cuttings.

To say that the Indians are entirely satisfied with the manner in which the terms of the several treaties have been carried out, would be saying what is inconsistent with their character. To complain is a chronic feature of their nature. I am forced however to admit, from personal intercourse with them, and from abundant data at hand, that the manner treaty stipulations have been observed in this Superintendency in the past has given them just ground for complaint. They have been furnished—by no fault of the Government which paid the price of prime supplies and implements—with inferior and old worn out cattle, or cattle too wild for working or dairy purposes, and with supplies of all kinds of the most inferior quality, which would not be accepted at any price by the ordinary consumer.

Their complaints on this head have been very much less during 1877 and 1878 than in former years, and they confidently believe that their complaints have been heard at last. To confirm them in this belief ought to be the watchful care of the Department in future.

The present Acting Superintendent and his staff of Agents are discharging their often delicate and onerous duties with zeal, prudence and integrity, as far as I have been able to observe. I am glad to bear this testimony in their favor, inasmuch as the late Acting Superintendent and some of his late officials transacted the business of the Superintendency in a manner that resulted in financial loss and embarrassment to the Government, dissatisfaction to the Indians, and I may add public scandal. It is not always easy for an Agent, in dealing with Indians in remote districts, to follow the letter of his instructions; but I submit that an Agent is not justifiable, under any circumstances, in creating a Chief and councillors, paying them as such, giving them suits of clothing and purchasing cattle for them without authority, as the late Agent of Treaty No. 5 did; but otherwise I believe that he discharged his duties faithfully and satisfactorily.

A uniform system of keeping books of accounts, &c., at the Indian Office in Winnipeg, and at the several agencies has been initiated, the effect of which is to enable the Department to trace readily the quantities of supplies, &c., shipped and received by the different agents, and also the distributions of the same. The necessity of this is apparent, inasmuch as no vouchers of distributions had been taken prior to 1876, and but very imperfectly in that year, so that in order to obtain a statement of cattle, seed grain, agricultural implements, &c., supplied, since the date of treaties to Indians, I was obliged to visit the different Agents and Bands, and make the most searching enquiries regarding the same. I am confident the information thus obtained is as perfect as could be ascertained under the circumstances.

The question of temperance is one of paramount importance in connection with the successful management of the Indian in this Superintendency. Considering his proverbial weakness for alcoholic stimulants, and the readiness with which he can obtain them from unprincipled and unscrupulous dealers within the Province, I am glad to be able to represent that the Bands I have visited are as free from the vice as the same number of whites in many localities in this Province. With the exception of the Bands about Portage la Prairie, Selkirk, North-West Angle and Rat Portage, where liquor is freely obtained by Indians in defiance of law, I may say intemperance among the Indians is unknown. In some of the localities named the local magistrates during the past year have made earnest efforts to put the machinery of the law in motion against liquor vendors and Indians with the most beneficial results.

The Indians complain that seed grain, potatoes, &c., are received too late in spring for sowing and planting in time to mature. This might be considerably obviated by the purchase of these articles in the neighborhood of many of the Reserves. Thus securing their early delivery, as well as the saving of expensive freightage to distant points.



The only Agencies that were supplied with any office furniture, &c., are those of Mr. Martineau and Dr. Young, each having received an office desk. I consider that each Agency should have an office and a storage room, one desk, two chairs and a stove.

I have the honor to be, Sir,

Your obedient servant,

(Signed) E. McCALL.

— — —  
No. 41.

NORTH-WEST SUPERINTENDENCY,  
BATTLEFORD, N.W., Territories, 5th Dec. 1878.

The Honorable

The Superintendent-General of Indian Affairs,  
Ottawa.

SIR,—The circular from your Department of 14th August last, covering form of tabular statement, was received at this office on the 18th September.

I have delayed replying thereto in the hope that ere this date, I would have received reports of the annuity payments under Treaties Nos. 4 and 7. But I have been disappointed, and am consequently unable to furnish any satisfactory information respecting the number of Indians in this Superintendency who have accepted treaty allowances.

Under Treaty No. 6 some 1,636 were paid this year for the first time, besides any that may have been paid at Bow River, and as all these were entitled to their gratuity and one year's annuity, namely \$17 per head, a much larger sum was required for this Treaty than I anticipated.

Having already reported the proceedings connected with the annuity payments in 1877, I will confine my remarks to other operations within the past financial year. However desirable it may be to report on the operations during the past season, it is impossible in this country, where communication is so unfrequent and irregular, to give a general report for the Superintendency up to a later date than the 30th June.

I deeply regret that in this comparatively unorganized Superintendency, I have as yet been unable to obtain sufficient information to warrant me in attempting to give any statistics respecting the property of the Indians, and the crops raised by them. Besides paying the annuities, the great work at present in this Superintendency is distributing the agricultural implements, cattle and seed promised in the several treaties, and attending to those Indians who call to represent real or imaginary grievances and to seek relief in their distitution. The column for "other distributions" in the form of tabular statement being far too circumscribed to give a satisfactory synopsis of the articles distributed in this Superintendency, I have caused statements to be prepared and placed herewith to which I refer you for details in regard to these articles.

#### IMPLEMENTS, CATTLE, &C.

Statements (A) and (B) show the number of agricultural implements, cattle, seed and provisions at seed time distributed to the Indians of Treaties Nos. 4 and 7 during the past financial year. Only 2 ploughs, 2 harrows, 13 spades, 18 axes, 41 hoes, 4 oxen, 1 bull and 1 cow were distributed in Treaty No. 4 in 1877-8. This is partly owing to the fact that a number of implements were distributed in previous years; but it must be admitted that most of the Indians connected with that Treaty are very backward about engaging in agriculture. The quantity of seed that was distributed last spring to the Bands that have settled on their reserves, was 32 bushels of barley, 616½ of potatoes and 4 of oats.

Of all the Chiefs under Treaty No. 4, Côtè, of Fort Pelly, appears to have made the greatest progress in agriculture. He has used his seed to good advantage; so also, I believe, has Pesqwa at Qu'Appelle and Gordon at Touchwood Hills.

Statement (C) shows that there was distributed to the Indians of Treaty No. 6, during the past financial year, 28 ploughs, 25 harrows, 147 scythes and 149 snaths, 149 hay forks, 316 axes, 339 hoes, 148 spades, 178 saws, 13 grindstones, 14 crosscut saws, 12 pit saws, 18 tool chests, 75 handsaws, 18 sets harness, 20 horses, 17 wagons, 94 augurs, 50 oxen, 7 carts and 11 sets cart harness. This distribution may appear large, but it must be remembered that it was the first under the Treaty. The same statement also shews that the seed grain distributed last spring was, 287 bushels wheat, 658½ bushels bailey, 1,164 bushels potatoes and 1 of oats.

You will observe that the larger quantity of this seed was given to 14 or 15 Bands. Of these, Chief Seenum's Band at White Fish Lake, John Smith's at the South Saskatchewan, James Smith's at Fort Lacorne, Ahtahacoo's and Mistamisis' near Carlton, Red Pheasants at Eagle Hills, and Little Hunter's at Victoria, I believe made a good use of their seed. Most of the others, from want of provisions and some one to instruct them, I fear, did not get as much land broken up as they expected, and consequently did not appropriate all the seed to the purpose for which it was intended. Were it possible to employ a few good practical men to aid and instruct the Indians at seed time, I am of opinion that most of the Bands on the Saskatchewan would soon be able to raise sufficient crops to meet their most pressing wants.

#### DESTITUTE INDIANS.

Statement (D) shews approximately the quantity of provisions distributed at different posts to destitute Indians. Towards the spring a number in several of the Bands on the Saskatchewan became very short of food, and had to be supplied to a small extent.

About forty delegations on one pretence or another visited this office during the winter, and as they all arrived completely out of provisions, they had to be supplied and induced to leave as soon and as quietly as possible. Over fifteen chiefs, some of them coming from as far west as Lac la Biche, White Fish Lake and Victoria, paid their respects to the Superintendent since his arrival here, and during March, April and May, he had calls almost daily from individual Indians. Though these visits have entailed a little expense on the Government, yet I trust the results will be beneficial, as it has afforded an opportunity to explain the provisions of the Treaty, and possibly thereby to remove some causes of dissatisfaction.

#### SCHOOLS.

Only a few schools in this Superintendency as yet received aid from the Government. All of these are Mission schools. The schools connected with the Roman Catholic Mission at St. Albert, Lac la Biche and Isle à la Crosse Reserve receive aid for the Indian children instructed there. I have not been able to visit any of these institutions, but I hear them highly spoken of. The Church of England mission school at Touchwood Hills, near Chief Gordon's Reserve, also received aid, and an application has been made on behalf of a similar school at Asissippi on Ahtahacoo's Reserve, near Carlton, and of one at Eagle Hills Reserve, near Battleford, which I trust will receive favorable consideration. The Canadian Methodists have also some good Indian schools, but if they are now in receipt of Government aid it is not forwarded through this office.

#### THE SIOUX.

Early last winter the Sioux Chiefs at Qu'Appelle, namely White Cap and Standing Buffalo, applied that agricultural implements and seed might be given to them in

---

the following spring. You will see by Statements (A) and (B) that 3 ploughs, 2 harrows, 12 spades, and a number of hoes and axes were supplied them, as also 62 bushels of seed potatoes. Not having any oxen to work their ploughs, and having had a dispute about their reserve, both Chiefs desiring to have the same locality, I hear that they did very little planting. During the early summer both these Chiefs visited me at different times and complained that Qu'Appelle was not a suitable place to have their Reserve; and asked to be allowed to settle on the South Saskatchewan. I communicated this desire to the Department. White Cap passed most of the summer and autumn in the neighbourhood of Duck Lake; and he and his Band, as well as some other Sioux, are wintering at Prince Albert.

A deputation of seven Sioux, from the Bands which have recently crossed the boundary from the United States, visited me early in July. They appeared to be influential men, but were very reticent about themselves, and also about Sitting Bull, and would scarcely acknowledge that they knew him. They expressed a wish that traders might be allowed to go amongst them, and professed to be sincerely desirous of living at peace with the Queen's subjects.

I have the honor to be, Sir,

Your obedient servant,

DAVID LAIRD,

*Lieutenant Governor and Indian Superintendent  
of the North-West Territories.*

## PROVISIONS distributed to Indians at Seed Time.

TREATY No. 6.	Flour.	Tea.	Sugar.	Tobacco.	Pemmican.
Mistawasis' Band.....	1,100	16	12	10	700
Attahacoop's Band.....	1,100	16	12	10	700
Keetowayhow's Band.....	700	8	8	5	400
Beardy's Band.....	{ *950 } 200	16	12	10	700
Green Lake Band.....	*100	2	2	2	102
John Smith.....	550	10	10	10	350
James Smith.....	350	6	6	6	250
Chakastapaysin.....	300	6	6	6	200
Wm. Twate.....	500	10	10	10	300
Red Pheasant.....	600	10	10	10	360
Total Eastern Division.....	6,350	100	88	79	4,062
Pee-yay-sis' Band.....	400	10	15	5	†240
James Seenum's Band.....	1,000	20	30	10	403
See-kabs-kootch's Band.....	400	10	15	.....	216
Kinnosayo's Band.....	600	18	25	8	369
Pee-yes-e-way-kee-chay-kee-hoot's Band.....	400	8	12	5	209
Mah-kayo's Band.....	200	8	8	8	254
Little Hunter's Band.....	500	15	20	8	278
Kee-hee-win's Band.....	400	10	15	5	†216
Tustakeskwaise Band.....	500	15	20	8	†324
Kah-che-tah-ways-cum's Band.....	500	14	10	17	260
Alexis' Band.....	400	10	13	8	210
Cheepoostee-kwahn's Band.....	350	8	10	6	260
Pass-fass-chase's Band.....	350	8	10	6	180
Total Western Division.....	6,000	154	203	94	3,419

Damaged. † Approximately.

PROVISIONS distributed to destitute Indians and to Delegations, up to 30th June, 1878

TREATY No. 6.	Flour.	Pemmican.	Tea.	Tobacco.	Sugar.	Bacon.	Dried Meat.	Beef.
Distributed at Battleford.....	1,960	1,812	76	65	32	169		
do Carlton .....	1,400	991	30	30	60			
do Prince Albert.....	1,000	300	15	15	20			
do Fort Pitt.....	600	700	20	20	28			
do Fort Saskatchewan	77		5		6			243
	5,037	3,803	146	130	156	169		243
TREATY No. 4.								
Distributed at Swan River.....	520	456	9½	7½	6			
do Touchwood Hills...	100	100	1					
do White Cap.....								\$35 11
	620	556	10½	7½	6			

STATEMENT of Implements distributed to Indians of Treaty No. 4, for Year ended 30th June, 1878.

Name of Band.	Hoes.	Spades.	Scythes.	Snathis.	Axes.	Hay Forks.	Whetstones.	Carpenters' Tool Chests.	Ploughs.	Harrows.	Whipple-trees.	Trace Chains.	C. C. Saw Files.	Hoes (burnt).	Oxen.	Bulls.	Cows.
Distributed in Autumn, 1877, as per Return.....	26	3	13	11	40	34	9	1	1	2	4						
Distributed in Spring, 1878.																	
Day Star.....	6				3				1	1		4	2		2	1	1
Cawacatoose.....	6				3							4	2				
Kahishiway.....	2	1			2										2		
Pesqua.....	12	12			10				1			4		10			
Chee-cuck.....	1																
Way-way-secappo.....										1							
White Bear.....	4																
Total.....	31	13			18				2	2		12	4	10	4	1	1
Stoux.																	
Standing Buffalo.....		12			6				2	1		8		64			
White Cap.....	8	6			6				1	1		4		24			
	39	31			30				5	4		24	4	98	4	1	1
TREATY No. 7.																	
Stoney Band.....	17																

PROVISIONS and Seed distributed to Indians.

TREATY No. 4.	Flour.	Tea.	Tobacco.	Pemmican.	Barley.	Potatoes.	Oats.
Way-way-seecappo's Band .....	55	2½	1½	79	4	50	.....
White Bear's Band .....	55	2	1½	79	.....	10	.....
Côté's Band .....	100	.....	.....	124	10	50	4
Kishikouse's Band .....	100	.....	.....	124	4	45	.....
The Key's Band .....	20	.....	.....	15	4	45	.....
Duck Bay Band .....	.....	.....	.....	.....	2	48	.....
Cawacatoose's Band .....	111	3	2½	136	.....	35	.....
George Gordon's Band .....	113	.....	.....	136	.....	80	.....
Day Star's Band .....	111	3	2	136	.....	33	.....
Yellow Quill's Band .....	111	2	2	136	.....	52	.....
Pesqua's Band .....	85	.....	.....	112	7	80	.....
Mnscowegun's Band .....	80	2	1½	112	.....	72½	.....
Chee-cuck's Band .....	80	2	1½	112	1	10	.....
Little Black Bear's Band .....	80	1½	1	112	.....	6	.....
	1,101	17¼	13½	1,413	32	616½	4
STOX.							
White Cap .....	.....	.....	.....	.....	.....	37	.....
Standing Buffalo .....	.....	.....	.....	.....	.....	25	.....
	.....	.....	.....	.....	.....	62	.....
TREATY No. 7.							
Stoney Bands, Morleyville .....	1,500	22½	.....	.....	.....	50	.....

[C.]

STATEMENT showing distribution of Implements, Cattle, Seed,

	Ploughs.	Harrows.	Whipple-trees.	Whipple-trees, sets.	Trace Chains.	Scythes.	Snaiths.	Hay Forks.	Axes.	Hoes.	Spades.
Forwarded from Winnipeg by Mr. Nixon.....	39	39	.....	.....	.....	185	185	185	370	370	150
Bought by Agents.....	4	.....	.....	.....	.....	.....	.....	.....	.....	.....	.....
Total .....	43	39	.....	.....	.....	185	185	185	370	370	150
Distributed to Mistawasis' Band.....	1	1	1	2	6	14	14	14	18	20	12
Att-hacoop's Band.....	1	1	1	2	6	14	14	14	18	20	12
Chakastapasin's Band.....	1	1	.....	2	1	.....	.....	.....	.....	.....	.....
Beardy's Band.....	2	2	1	4	7	14	14	14	18	20	12
Chipweyan's Band.....	.....	.....	.....	.....	.....	.....	.....	.....	.....	.....	.....
Woo-koo-nick-a-toom-a-hat's Band.....	.....	.....	.....	.....	.....	.....	.....	.....	.....	.....	.....
Pay-yak-wahs-koo-mun's Band.....	.....	.....	.....	.....	.....	.....	.....	.....	.....	.....	.....
Sahs-wapew's Band.....	.....	.....	.....	.....	.....	.....	.....	.....	.....	.....	.....
Kee-too-way-how's Band.....	1	1	.....	1	.....	3	3	3	10	10	1
John Smith's Band.....	2	2	.....	3	7	6	6	6	13	15	4
James Smith's Band.....	2	2	.....	3	7	4	4	4	13	15	4
Wm. Twate's Band.....	2	2	.....	3	7	5	5	5	13	15	4
Green Lake Band.....	.....	.....	.....	.....	.....	.....	.....	.....	4	6	1
Red Pheasant Band.....	2	2	.....	4	5	10	10	16	40	18	15
Tustakaskwise Band.....	.....	.....	.....	.....	.....	.....	.....	2	4	20	6
See-kahs-kootch's Band.....	.....	.....	.....	.....	.....	.....	.....	.....	5	12	2
Pee-yes-e-way-kee-chay-kee-hoot's Band.....	1	1	1	2	.....	4	4	.....	8	8	6
Kinnosayoo's Band.....	2	1	.....	.....	.....	8	8	8	10	10	8
Pay-mo-tay-ah-soo's Band.....	.....	.....	.....	.....	.....	.....	.....	.....	.....	.....	.....
See-num's Band.....	3	3	2	.....	2	24	24	20	36	60	19
Kee-hee-wim's Band.....	1	1	.....	.....	.....	5	5	5	10	10	8
Pee-qay-see's Band.....	1	1	.....	.....	.....	5	5	5	10	10	8
Mahkav's Band.....	.....	.....	.....	.....	.....	.....	.....	.....	.....	.....	8
Little Hunter's Band.....	3	1	2	.....	2	6	6	6	20	20	6
Kah-che-tah-ways-cum's Band.....	1	1	.....	2	8	9	9	8	17	12	5
Alexis.....	1	1	.....	2	8	8	8	8	15	10	5
Cheepoostee-kwan.....	.....	.....	.....	.....	.....	4	4	5	9	21	5
Pass-pass-chase.....	1	1	.....	2	8	4	4	4	9	7	5
Total.....	28	25	.....	.....	.....	147	149	149	316	339	148
On hand.....	15	14	.....	.....	.....	38	36	36	50	31	2

The numbers given as having been forwarded from Winnipeg by Mr. Nixon do not correspond with were delivered at Fort Pitt. At the latter place also there seems to be a deficiency in the number of The ploughs were sent with "whipple-trees, &c., complete," and in some cases the H.E.Co. Officers gave the full complement.





No. 42.

EXTRACT of a Letter dated 11th November, 1878, from His Honour Lieut.-Governor and Indian Superintendent.

BATTLEFORD, N.W.T., 11th November, 1878.

3. To your general questions I may give an approximate answer. In Treaty No. 4 about twenty Bands have selected their Reserves; in Treaty No. 6, about twenty-four Bands; in Treaty No. 7, the Reserves are located by the terms of the Treaty. Some ten of the selections in Treaty No. 6 have not yet been approved by the Agents of the Government. The number of Bands that are settling upon their Reserves and adopting agricultural pursuits, are, for Treaty No. 4, thirteen; Treaty No. 6, about 22; Treaty No. 7, three Bands. A majority of the Bands have, I believe, made a tolerably fair use of the agricultural implements and cattle given them; and, with two or three exceptions, have taken good care of both the cattle and implements.

4. In regard to your enquiries respecting the method of teaching the Indians farming, I am decidedly of opinion that the best plan is to have a permanent agricultural instructor with the Bands. Where Reserves are grouped together, one instructor might take charge of say three or four Bands. The number which would be necessary might be, for Treaty No. 4, five instructors; for Treaty No. 6, eight; Treaty No. 7, two. Each instructor, for salary and perquisites, would cost at least \$1,000 or \$1,500 in all per annum, for say ten years. If such instructors were appointed, I would advise dispensing with ordinary Indian sub-Agents. Agents to go round and make the annual payments, and oversee the instructors to some extent, would still be required, as, in my opinion, it is injudicious to let money get into many hands. If the Indians were instructed in farming, I think most of the Bands would soon save their seed from their own crops. But, for a few years it would be of little avail to give them instructions, unless they were allowed seed and provisions for two or three weeks while planting. In the spring they are generally absolutely destitute of food, and can do but little at farming unless provisions are supplied to them.

5. Respecting the area each Band is cultivating, and the quantity of produce they have succeeded in raising, it is impossible for me to give you the information you desire. Only one Reserve is near this place; that one I have visited, and another at Duck Lake. Red Pheasant's Band, which have chosen their Reserve at Eagle Hills, about fifteen miles from Battleford, commenced farming only last spring. For plain hunters they made a fair beginning, and had about twenty acres under crop. Their return may be estimated at 200 bushels of potatoes and 75 bushels of grain. They, however, had the advice and example of a zealous young missionary of the Church Mission Society, namely, Rev. Mr. Clarke, who went to the Reserve with them, and cultivated a garden which was a credit to him, and has now established a school on the Reserve, for which he is about to apply to the Government for support. The other Band which I visited—"Beardy's," at Duck Lake—had put in very little crop, and as the soil there is generally light, the yield would be trifling. The Bands north-west of Carlton had about the following areas under crop: "Ahtahacrops," 40 acres; "Mistawasis," 20, and "Keetoowoyhow's," 10. John Smith's Band, on the South Saskatchewan, had about 120 acres under cultivation. The Band at White Fish Lake had a considerable area under crop, probably 200 acres; but the season being dry in that locality, the yield was light. I fear they will have no produce to dispose of next spring. The same, I fear, may be said of every other Band in the Territories.

6. You enquire respecting the influence of the missionaries who have established themselves among the Indians. It is difficult for me to give any definite information under this head. Quite a number of Crees have been taught by the Missionaries to read and write syllabic characters. This method of writing is useful

in enabling them to correspond with each other in their own language and with the missionaries; but as there are very few books printed in Cree or syllabic characters, they can gain very little general information by a knowledge of these characters. Some of the missionaries have undoubtedly contributed to the moral improvement of the Indians among whom they labour, and in most cases where Bands have settled on agricultural lands, and have become in some measure industrious, they have been under missionary influence.

7. You ask whether it is desirable to perpetuate the authority of the Chiefs and headmen, and whether when a Band has once been located upon a reservation the Reserve should be divided into lots, giving to each Indian his individual property? I may say I have serious doubts as to the wisdom of the Canadian policy in perpetuating the tribal system among the Indians, and likewise as to the practice of granting reservations in large blocks of land. The great aim of the Government should be to give each Indian his individual property as soon as possible.

In most Bands there is a large proportion of indolent and thriftless members, who may be said to pray upon their more industrious and provident neighbors to the great discouragement of the latter. The Indian who makes a laudable effort to provide for the support of his family, seeing that his stores often have to go to feed his starving brethren, then loses heart himself, and drops down to the level of the precarious hand-to-mouth system of the Band generally. I am of opinion that instead of large Reserves, each Indian head of a family should receive non-transferable script, or the right to locate on a certain quantity of land in any tract open for settlement. They would thus be able to settle down in two's and three's by the side of fishing lakes, or amid some settlement of Whites where they could get work, and also enjoy the fruits of their industry on their own holdings. The municipal system on Reserves, in my opinion, would not work in the Territories for many years to come. They are not sufficiently intelligent to manage such institutions; but if settled hither and thither among the other population of the country, they might, with the aid of their neighbours' example and experience, be able in a generation or two to rise to the full stature of perfect politicians.

—  
No 43.

NORTH WEST TERRITORIES, TREATY No. 4,

SWAN RIVER BARRACKS, 24th Nov., 1878.

The Honorable

The Superintendent-General of Indian Affairs,

Ottawa.

SIR.—In compliance with instructions received in printed circular, dated August 14th, 1878, requesting me to fill up a tabular statement, I have the honor to state that I did not receive it until my return from completing the payments of annuities, viz., 14th October, and therefore was unable to forward my report so as to reach Ottawa before the 30th of September.

I have seen several of the Chiefs since, but I regret to say they were unable to give me the information asked them, so it is impossible for me to fill up the tabular statement.

I have never been furnished with returns from the Department of the Indian Reserves surveyed. I am therefore unable to give the quantity of acres included in each Reserve.

Of the twenty-four Bands in this Treaty, eleven are gradually turning their attention to farming, ten of which have their Reserves surveyed.

During the spring, I distributed 678½ bushels of potatoes, 32 of barley, and a small quantity of turnip, carrot and onion seeds, most of which was sown.

Chief Côté, of Fort Pelly, is the most advanced, having harvested this year 280 bushels of barley, a little over 3,000 bushels of potatoes, and a large quantity of other vegetables, all of very good quality. The increase from the four cows he received two years since is 11 head; this may appear large, but such is the fact.

Kushe-kouse and the Key, who have their Reserves on the west side of Swan River, have done considerable work during the year. The latter moved to his Reserve in the spring, and has already built his dwelling, storehouse and stables. A few of his followers have broken up land, and are fully determined on making the Reserve their home.

These three Bands are very desirous of having missions and schools established. Côtés' and the Keys' have embraced the Protestant faith, the other the Roman Catholic.

The Duck Bay Band, which is part of Kishekouse's, have a Reserve only suited for a fishery; they however raised 1,000 bushels of potatoes this year.

The Fort Ellice Bands, viz, Way-way-see-cappo and White Bear have their Reserves, the former on Bird Tail Creek, the other at the Moose Mountain. They planted a few bushels of potatoes this year.

At Touchwood Hills are Gordon's, Day Star's and Cawacatoose Reserves. The former Band has had the advantages of a mission and school for some years, sustained by the Church Missionary Society. On my last visit to the mission I was informed the teacher is now paid by the Dominion Government.

I am unable to state the quantity of potatoes raised by this Band this year; it must be considerable, as I supplied them with 80 bushels of seed, and I was informed that the prospect of the crop was very good.

Day Star and Cawacatoose have made a commencement, but I regret to say under very great difficulties, as there are no Indians in either of these Bands who understand the use of ploughs or the management of oxen.

Cawacatoose last winter, through want, killed an ox, a bull, a cow and two calves, which had been supplied to the Band according to the terms of the Treaty.

Yellow Quill's Band is the one alluded to who has commenced tilling the soil, but their Reserve has not yet been surveyed. They intend taking it at or near Nut Lake.

At Qu'Appelle, Chief Pasquah and 30 families have begun work. Through the neglect of putting up proper fences their crop this year was destroyed.

I have the honor to be, Sir,

Your obedient servant,

ALLAN MACDONALD,

*Indian Agent.*

\_\_\_\_\_  
No. 44.

No Report from M. G. DICKIESON, Agent for Treaty No. 6.

\_\_\_\_\_  
No. 45.

*EXTRACT of Letter from Lieut.-Col. MacLeod, Commissioner North-West Mounted Police.*

Messrs. J. G. Baker & Co, furnished the supplies contracted for at the different places of payment according to their contract, and I gave them a receipt for the same. The rations were divided in proportion to the number present at each place and delivered to the Indians in two issues.

At Fort Kipp a council of the "Blood" Tribe was held, at which one Head Chief and two minor Chiefs in the place of "Rainy Chie" "Weazle Bull" and "Heavily

Whipped," who had died since the making of the Treaty, were elected. I enclose a statement of the proceedings. At both this payment, and that of the North Peigans, everything passed off in the most satisfactory manner, and all expressed their contentment at the manner in which the terms of the Treaty were being carried out.

At the Blackfoot Crossing things were at first different, the Indians expressing their dissatisfaction at only receiving \$5 per head this year, instead of \$12 as they did last year. I had a long talk with "Crow Foot" the head Chief and his Band the morning after my arrival; enclosed I send a copy of the proceedings.

It is very evident to my mind that they were instigated to express their discontent by interested persons who had been visiting them, and who should have known better; however, when they found that I had come there to carry out the terms of the Treaty, and not to alter the old one, or make a new one, they all came forward and received what the Government had promised them by the Treaty of last year. Several of the Chiefs came and apologized for what "Crow Foot" had said on the first day of our meeting, and they all sent a message to say that they were perfectly satisfied with everything. The evening before I left I paid a visit to the Head Chiefs, and I was very much gratified to hear them express the contentment which prevailed throughout the camp. Early in the morning, as I was leaving the camp "Crow Foot" and several other Chiefs came to say "good-bye." "Crow Foot" taking me by the hand said, "We have come to shake hands with our old friend, and hope he will forget the words I spoke the other day."

I entrusted Sub-Inspector Denny with the payment of the Stony Indians, and enclose his report from which it will be seen that the duty was most satisfactorily performed.

I have enclosed the memorandum of the Rev. Mr. McDougall, with reference to the farming implements, &c., to His Honor the Lieutenant Governor.

The cattle did not arrive in time to be distributed at the different payments, and perhaps it is as well that they did not, as all the different tribes of Blackfeet show a decided disinclination to receive them at present, fearing that on account of their wandering habits they would not be able to take care of them. I do not think they are as yet ready to undertake their charge, and it would be very unfortunate if such a valuable herd of cattle should be lost to them. I continually try to impress upon them that their true interest lay in their undertaking the herding of them at as early a date as possible; but they begged of me to make any arrangement I could to have them taken care of at any rate till next spring. I determined, both in the interest of the Government and the Indians, it was better to do so. Mr. Conrad, of the firm of J. G. Baker & Co., offered to herd them till next summer for this year's increase and next, a proposition which I of course at once rejected. He then offered for the calves at present in the Band, but this proposition I also rejected, as there are some 400 calves in the Band.

I therefore determined to hire men to herd them, and have engaged four good men at \$250 a month to do the work.

The herd has been taken to one of the best pasturages at the foot of the Porcupine Hills, in the North-West, where the men in charge will put up hay and erect sheds for any weak cattle or calves requiring them. In order to get these men to do the work for the amount above stated, I was obliged to promise them rations on re-payment out of the Police stores.

The men employed will be under the supervision and control of Sub-Inspector Shurtliff, who is well acquainted with the management of stock.

A credit to meet the above expenditure, with the firm of J. G. Baker & Co., in favor of Inspector W. Winder, commanding at Fort MacLeod, will be required.

I sincerely trust that the arrangements which I have made will meet with your approval. The care of these cattle has caused me a great deal of anxiety, and I feel confident that I have made the best arrangements possible for all parties concerned. I had them inspected by Mr. Shurtliff, who reported very favorably upon them; and, riding through them myself, I found them much more quiet than I expected they would be, and was much pleased with the appearance of the majority of them.

As will be seen by the enclosed books, Inspector Winder, with Constables Storman and Stone, carried out the work of payment, and Inspector Crozier, with constable Calvin, attended to the issuing operations and other supplies. They all performed their duties in a most satisfactory manner.

I have the honor to be, Sir,

Your obedient servant,

JAMES F. MACLEOD,

*Commissioner N. W. M. P.*

No. 46.

BRITISH COLUMBIA.

INDIAN OFFICE, VICTORIA,

20th, October 1878.

The Honorable

The Superintendent-General of Indian Affairs.

Ottawa.

SIR,—I have the honor to submit the following Report of Indian affairs in the Victoria Superintendency for the year ended 30th June, 1878.

I have visited the various Tribes within the reach of the ordinary means of communication as occasion required, but no distant official visitations have been made during the past year.

I regret that I am therefore unable, at present, to add anything of interest to the reports already furnished you in respect to the comparatively large native population of this Superintendency.

It is, however, exceedingly satisfactory to state, for your information, contentment and apparent good feeling prevail among the Indians, and with few exceptions reciprocal harmonious relations exist between them and their white fellow-citizens.

There are some instances of dispute and consequent dissatisfaction between North-West Coast Indians and the Whites engaged in canning and salting fish, in regard to alleged fishery encroachments, which I greatly trust will be disposed of and settled during the ensuing year.

Coast Indians attach as much value and importance to their customary fishing grounds as interior Tribes do to their grazing and agricultural lands, and look with much jealousy upon the approach of white settlers to these places so necessary to their prosperity and existence.

On the Northern coast there are certain salmon streams to which for ages their rights have never been questioned, and I have no doubt that extreme care will have to be taken in considering their claims and adjusting their differences if a friendly feeling is to be perpetuated.

I do not think the difficulties of arranging these matters are by any means insuperable, but I feel quite certain that the hereditary rights to which they are so devotedly attached ought not to be longer left in abeyance.

Our Coast Indians do not lack in intelligence, shrewdness or industry; naturally they are well and peaceably disposed, and will give a favourable consideration to any proposition which is based upon fairness and justice. No officer of the Government, supposed to act for and with them, has so far visited their portion of the Province; and it is scarcely to be wondered at that the supposed encroachments of those whom they instinctively regard with suspicion should be attended with their opposition and distrust.

In the early history of the Colony, little attention was paid to them by the Government; and so long as they were not guilty of some flagrant infraction of the law, they were allowed free exercise and liberty in the habits and customs peculiar to their race.

The annual visit of one of Her Majesty's ships of war promoted obedience and respect, gave prestige to the Queen's law, and secured safety and protection to the new settlers and traders who ventured in their midst.

The extraordinary impetus, however, which, within the last two years, has been given to the canning and salting of fish, has attracted a large number of eager people to their choice fishing grounds, and in some instances excited their fears and grave apprehensions.

The late fishery regulations would, if enforced among our Indians, cause much distress, and be carried out with great difficulty and expense.

On the other hand, however, the Coast Indians generally appreciate the efforts of the Government to prevent the exhaustion of salmon streams, and will be easily persuaded to join in the adoption of some precautionary measures for the preservation of their favourite and necessary staple of life.

The north-west coast of British Columbia is rocky in character, densely wooded, and presents great difficulties to agricultural pursuits; hence, the natives are well aware of the future value and importance of locations, the possession of which, in former times, was often a source of war and bloodshed among themselves.

Once they are certain that their rights will be respected, none will be more amenable to the requirements of the Fishery Department, or more respectful of its necessary regulations.

Again, the Indians so far, have the greatest confidence in the most friendly feeling for, and the highest appreciation of the protecting and paternal care of the Dominion Government; and there exists little difficulty in securing their active co-operation and assistance in carrying out any object for their own and the general good.

#### SCHOOLS.

There are five schools in the Province which have participated in the Government grant, viz: Metlakahla, Massett (Anglican), Fort Simpson, Mass, and Kitlahmacks (Wesleyan.)

The Roman Catholics have several Indian missionaries in the District, but no applications have been made to me for school grants.

I regret that I have not had an opportunity of visiting any of the Mission Posts on the north-west Coast, and reporting to you the results of a personal inspection.

Although thoroughly aware of the earnest and untiring efforts of Missionaries in the general work of civilizing the Indians, there are so many obstacles to the success of ordinary day schools, that the real results appear to my mind very doubtful.

Your late instructions authorizing per capita payments of the grant, instead of limiting them to those schools showing an average attendance of thirty, have enabled two or three schools to open in addition to those on the list last year, and I have been informed of others which will probably apply for the grant under the new regulations during the coming season.

The short hours, however, irregular attendance, and the greater, though opposing attractions of camp life, prevent, in my opinion, the realization of much material benefit to either children or parents from the present system of day schools.

Among the schools worthy of special remark, I may refer particularly to that at Metlakahla, which being of an industrial character, has been attended with the most gratifying and satisfactory results.

There is a prolific field in the Province, inhabited as it is by such a large Indian population, for the establishment of other schools upon the plan of that at Metlakahla, and as to the real and permanent good which would thus be conferred upon neighboring and distant Tribes there cannot be a doubt.

I am not aware of the annual cost to the Church Missionary Society of the Metlakahla School, but the grant allowed by the Government is small compared with its effective worth as a most valuable civilizing and christianizing centre.

M<sup>r</sup>. Duncan's, plan in the first place, of isolating the Indians, founding a sort of municipal government among themselves, and then, being empowered to prevent contamination with evil disposed Whites was, I think, more the result of good judgment than pecuniary expenditure.

He has been in a position ever since to teach them with much success, the various industries without hindrance or interruption, and a co-operative establish-

ment has enabled him to make, as compared with other Industrial Schools, an expensive institution well worthy of example in other parts of the Province quite as favorably situated for the purpose as Metlakahla.

During the past year the following schools have received Government aid, in accordance with the instructions regulating the same.

Metlakahla,	Anglican.....	\$ 350
Masset,	do .....	75
Fort Simpson,	Wesleyan.....	300
Nass,	do .....	225
Kitlatahmacks,	do .....	150
Total.....		1,100

Additional amounts have been authorized these schools to close their grants for the year ending 30th June, but as the School Returns had not reached me up to the date of this Report, the sums to make up the full allowance for the year referred to have not been paid.

I have been informed that the schools at Comox and Quaniclan will be re-opened, and application has already been made for a renewal of the grant for the Kincolith School.

Quarterly Reports of those named above as having received Government aid have been forwarded to you from time to time in accordance with your instructions.

#### MEDICAL ATTENDANCE AND MEDICINES.

Owing to the prevalence of phthisis, syphilis, and all kinds of strumous diseases among the Indians of Vancouver and the Coast, professional advice and medicines are always in urgent request.

Medicines have been furnished to the Missions at Metlakahla, Fort Simpson, Nass, Barclay Sound, Hesquiaht, Comox Fort Rupert, Massett and Nanaimo; and the missionaries at these posts are deserving of especial commendation for the earnest efforts made by them in dispensing medical comforts to the large number constantly asking for relief.

Many sick Indians now come from various parts of the Suprintendency to Victoria, and the urgent need of hospital accommodation is daily experienced. No better or more humane appropriation could be made for them, nor one that would be more generally felt and appreciated.

Medicines are freely prescribed and given to both Reserve and other Indians here, and any cases of real destitution brought to my notice have been promptly relieved by proper food and clothing.

The houses however erected in the City for rental to Indians are mere shanties, wretched and unhealthy from the fact that a large number of them are put up within a limited space, and so badly and cheaply constructed that little or no protection from the elements is afforded the miserable occupants.

If some steps were taken by the City authorities to prevent the residence of all Indians who come regularly to sojourn in the place for immoral purposes, much of the misery now entailed upon a large class of them would be averted, the sanitary condition of the City greatly improved, and a real and humane service would be rendered to the natives particularly.

Quite a large number of Indian traders, who now drive a profitable trade from the present arrangements, would be at once affected by such reform, and their influence so far has been sufficient to prevent the desired movement.

The subject however is one, in respect to which practical action will have to be taken sooner or later, and a very prolific cause of much sickness and distress among the unfortunate Indians will then have been removed.

The (almost) usual visitation of small-pox, I am glad to state, the Indians have escaped this year, and the steps taken to provide general and regular vaccination from time to time will, I trust, be effective in securing some comparative safety from this fatal scourge hereafter.

## PRESENTS.

Owing to the unsettled condition of Indian Reserves, and pending the allotment of lands by the Reserve Commissioner, presents of agricultural and garden implements have purposely been limited.

Innumerable applications for (potlaches) assistance have been almost of daily occurrence.

My disbursements, however, as will be seen by the vouchers, for expenditure, from time to time forwarded to you, have been mostly confined to relief to the very poor and destitute.

Indeed a considerable experience now confirms my previous conviction that presents not only beget a desire for future gifts, but encourages an unmanly dependence among a large class of Her Majesty's subjects who are generally quite able to support themselves.

Implements and seeds to the value of \$421.66 have been presented by me during the year to those Tribes giving me proof of the urgent need of assistance and unmistakable evidence of their ability and intention to utilize them.

Difficulty in obtaining tools, etc., have made these gifts much more appreciated, and secured increased care in their preservation and use.

## ILLICIT LIQUOR TRAFFIC.

A wholesome, and I trust a permanent check has been given to the Indian whiskey traffic throughout the Superintendency, by the operation of the Federal Liquor Act.

Drunkenness, if not rare among the natives, is certainly very much curtailed, and improvement among the Coast Tribes is especially remarked.

In Victoria the disreputable whiskey trade is not by any means a lucrative one, and I think the very stringent enactments of the law have been honestly enforced wherever practicable by the local authorities.

Some two years ago I had the honor of calling your attention to the manufacture of spirits in the most primitive manner by the northern Indians, in American Territory, and to the fact that their knowledge had been communicated to the natives of Queen Charlotte's Island and neighboring Tribes. Since that period urgent complaints have been made to me that considerable quantities of Indian liquor are now being manufactured and bartered among coast Indians in the locality alluded to. No doubt an occasional cruise of the Government steamer would soon put a stop to it, and I greatly trust some steps may be taken either in connection with the Inland Revenue Department, or otherwise, which will have this desired effect.

## FISH, FURS, ETC.

I may be permitted to remark, in respect to the tabular statement, that it would seem admirably framed to supply definite information relative to the agricultural and industrial statistics of a Band, over which a local agent can ascertain with facility, and give annually, the particulars required.

It might be noted, however, in regard to the Superintendency in British Columbia, that there are at least 10,000 Indians, composing 100 Bands or more, whom no officer of the Department has ever yet visited; and any attempt therefore to fill up the various columns giving actual statistics of their wealth and important industries, could only be, at the present time, the result of mere conjecture, and quite unreliable as a guide to accurate data.

As previously stated, the Coast Indians never have paid much attention to agriculture, and the items referring to this important branch of labor, even if attainable, would do them injustice.

The sea, however, affords them far more profit with much less effort, while their extreme fondness for the chase, and the consequent collection of furs, adds materially to the wealth and income of the country.

The census of the Indians visited by the Land Commission is absolutely correct, and that given by me of other Tribes, compiled from the best sources of information at my disposal, may be taken as approximately so.



The following table of exports will give some idea of the industries of the Indians, as the last three items are wholly their production.

Salmon, canned.....	\$393,380 00
do salted.....	22,802 00
Herrings, do .....	2,064 00
Furs.....	204,445 00
Fish Oil .....	5,594 00
Cranberries.....	462 00
	<hr/>
	\$628,747 00

I have the honor to be, Sir,  
Your obedient servant,  
J. W. POWELL,  
*Indian Superintendent.*

No. 47.

BRITISH COLUMBIA.  
FRASER SUPERINTENDENCY,  
NEW WESTMINSTER, 10th September, 1878.

The Honorable  
The Superintendent-General of Indian Affairs,  
Ottawa.

SIR,—I have the honor to submit this my Annual Report for the year ending 30th June, 1878.

Since the date of my last Annual Report, I addressd circulars containing a series of questions to the principal employers of Indian labor, merchants, and leading men throughout the Superintendency, who have kindly furnished information, showing the various occupations, earnings, and resources of the Indians of this portion of the Province.

Their aggregate income during the year from all sources amount to the sum of (\$154,162) one hundred and fifty four thousand one hundred and sixty-two dollars, exclusive of the grain and other crops which they raise, and the fish which they catch for their own use. Of the above sum they earned as fishermen and at other work in connection with the various salmon canning establishments on the Fraser River during the fishing season (a period of about three months)

The sum of .....	\$65,862
In the saw mills and lumber shanties, loading ships and as deck hands on steamers.....	38,000
Amount of furs sold to traders .....	25,000
As farm labourers .....	15,000
Cordwood, cut and sold.....	5,000
Cattle and produce.....	3,000
Fish oil.....	1,500
Cranberries .....	800
	<hr/>
	\$154,162

Nearly all of which sum they expended in the purchase of clothing, provisions, and other necessaries; they hoard very little.

The majority of the Tribes cultivate more or less land; some of those in the interior raise considerable crops of grain, and own large numbers of horses and cattle, many of them make some improvements in their dwellings and upon their farms every year, and if they would remain steadily at work upon their own places they would become quite comfortable in a few years.

At the present time there are nearly (800) eight hundred of all ages and sexes employed in connection with the salmon fisheries of this place. Men are paid \$1.50 to \$2.00 per day; women \$1.00; boys 50 to 75c.

Those working on farms and in some of the saw mills get their board in addition to the above wages. Their employers speak well of them, and treat them with kindness and consideration.

Annexed hereto are tabular statements in duplicate marked A, showing the distribution made of agricultural implements, carpenters and other tools, during the year to 32 bands and Tribes throughout the Superintendency.

Tabular statements marked B, of garden and field seeds distributed to all the Indians of the Superintendency numbering upwards of 120 Bands. Tabular statements marked C, exhibiting the distribution made of supplies, provisions and clothing chiefly to the aged, indigent and infirm. And statements marked D, of the different classes of diseases treated within the New Westminster and Yale Districts, and many from outside of the limits of those Districts including the medicines supplied to the various Missionaries, and others for the use of the Indians. The statements show the expenditure under each head.

Renewed uneasiness and anxiety was created amongst the Indians during last winter in consequence of the speech of His Honor the Lieutenant Governor at the opening of the Legislative Assembly, in saying that the Land Commission was about to be dissolved. The Chiefs and head men of the Lower Fraser visited the office in large numbers, and remained here two or three days, until I convinced them that the new arrangement made for the settlement of their Reserves would be quite as satisfactory to them as the old one.

Their visit upon that occasion caused some unexpected expense, having made them some presents of agricultural implements, &c., as already mentioned in a former report.

No addition has been made during the year to the number of schools for the education of Indian children, and there is only a very small increase in the attendance at the one in existence. At this place there are at the present time upwards of sixty children of school age with no provisions for their education.

Annexed hereto is also a statement of the number of Indian cases tried by the Local Justices of the Peace at this place for drunkenness and other crimes.

The large number frequenting this City and Burrard Inlet, which is in our immediate vicinity, and the excessively large number of houses licensed to sell liquors contribute largely to swell the criminal docket.

The white population of New Westminster City is not over one thousand, and there are now ten (10) wholesale and retail liquor establishments, with about 1,500 Chinamen and about 1,000 Indians, and only two policemen, it cannot be expected to be otherwise. The Chinese as a class, drink very little, but some of them sell and distribute liquor amongst the Indians. The Half-breeds do most in this way, and unfortunately there is much drunkenness.

Similar complaints have reached me from other sections. The Indian law is a good one, but the power to enforce it is quite inadequate. Yet, notwithstanding the above drawbacks, peace and good order prevail, and happily but very few capital crimes have been committed.

There is a perceptible improvement in the habits and mode of living of the great majority of the Indians.

This year the crops have been good, and the catch of fish large.

Not having visited any of the Reservations this season, I am unable to return the tabular statement received from the Department, and when it is remembered that it would be impossible to visit all the villages of the Superintendency in less than three years, it will be readily perceived that any statement which I may give for the year would be incomplete.

I have the honor to be, Sir,

Your obedient servant,

JAMES LENIHAN,

*Indian Superintendent*

[A.]—BRITISH

FRASER SUPER.

AGRICULTURAL Implements and Carpenter's Tools, supplied to the

Name of Chief or Tribe.	Ploughs.	Harrow Pins.	Harness.	Spades.	Shovels.	Hoes.	Rakes.	Scythes and Snaths.	Cradles and Snaths.	1-inch Auger.	2-inch Auger.	Jack Plane.	Smoothing Plane.	Cross-cut Saw.	Whip Saw.	Hand Saw.	Hay Fork.	Grindstone.	Fixtures.	Hammers.	Drawing Knife.	Frows.
<i>Shuswap Indians.</i>																						
Kamloops, Louis (Little).....	1	...	2	6	3	4	2	6	3	2	6	2	2	3	1	3	2	3	1	4	2	2
North Thompson, Andre.....	1	1	1	6	6	6	2	2	1	1	1	1	1	1	1	1	2	1	1	1	1	1
Dead Man's Creek, Cisasket.....	1	1	1	6	6	6	2	1	1	1	1	1	1	1	1	1	2	1	1	1	1	1
South Thompson, Nas-canilth.....	2	2	2	12	6	12	4	6	3	2	2	2	2	1	1	2	4	2	2	2	2	2
South Andrian, formerly Adam's Lake	2	2	2	...	...	12	...	3	2	1	1	2	2	1	1	2	4	2	1	1	3	1
Little Shuswap, Louis.....	1	1	1	6	4	4	2	2	1	1	1	1	1	1	1	1	2	1	1	1	1	1
<i>Okanagan Indians.</i>																						
Spellumcheen.....	1	1	1	6	3	3	2	2	1	1	1	1	1	1	1	1	1	2	1	1	1	1
Okanagan Lake, Head.....	1	1	1	6	6	6	3	2	1	1	1	1	1	1	1	1	2	1	1	1	1	1
do Pentiction.....	1	1	1	6	3	3	2	1	1	1	1	1	1	1	1	1	2	1	1	1	1	1
Osooyoon.....	1	1	1	6	6	3	2	2	1	1	1	1	1	1	1	1	2	1	1	1	1	1
Similikameen.....	1	1	1	6	3	2	2	2	1	1	1	1	1	1	1	1	2	1	1	1	1	1
do Upper.....	...	...	1	6	2	2	1	1	1	1	1	1	1	1	1	1	1	1	1	1	1	1
<i>Nicola Valley.</i>																						
Head of Lake.....	...	...	...	1	...	...	...	...	...	1	1	...	...	...	...	...	...	...	...	...	...	...
Foot of Lake.....	...	...	1	...	...	...	...	...	...	...	...	...	...	...	...	...	...	...	...	...	...	...
Bonaparte.....	1	1	1	...	...	...	2	1	1	1	1	1	1	1	1	...	...	...	...	...	...	...
Leon's Creek.....	1	1	1	...	...	2	2	...	1	1	1	1	1	1	1	2	2	...	...	...	...	...
Clinton.....	1	1	1	...	...	...	...	...	...	...	...	...	1	...	...	...	...	...	...	...	...	...
William's Lake.....	1	1	1	6	3	3	2	2	1	1	1	1	1	1	1	1	2	1	1	1	1	1
Soda Creek.....	1	1	1	6	3	3	2	2	1	1	1	1	1	1	1	1	2	1	1	1	1	1
Pavilion.....	1	1	1	...	...	3	1	...	1	...	...	1	1	...	1	...	...	...	...	...	...	...
Fountain.....	1	1	1	...	...	...	2	...	...	...	...	1	1	...	...	...	...	...	...	...	...	...
Lillooet.....	2	1	2	9	6	3	5	2	1	4	1	3	3	2	2	3	3	2	2	2	2	3
Alkali Lake.....	1	1	1	6	3	3	2	2	...	1	1	1	1	...	1	1	1	1	1	1	1	1
Kayuse Creek.....	...	...	1	...	...	2	...	...	...	1	1	...	...	...	1	1	1	1	...	...	...	...
Bridge River.....	1	1	1	...	...	2	...	1	...	...	...	...	...	...	1	2	1	...	...	1	...	1
Canoe Creek.....	1	1	1	2	...	1	2	1	...	...	...	...	...	...	1	2	1	...	...	...	...	...
Chilcotin.....	1	1	1	6	3	6	2	2	...	1	1	1	1	1	1	1	2	1	1	1	1	1
Seton Lake.....	...	...	...	3	3	2	1	1	...	...	...	...	...	...	1	1	2	1	...	...	...	...
Anderson Lake.....	1	1	1	3	...	...	...	1	...	...	...	...	...	1	1	2	1	...	...	1	...	...
Little Portage.....	1	1	1	...	...	2	1	...	...	...	...	...	...	...	1	2	1	...	...	...	...	...
Douglas Lake.....	...	...	...	2	...	...	...	...	...	...	...	...	...	...	1	...	...	...	...	...	...	...
Yale.....	...	...	1	...	...	3	1	...	...	...	...	...	...	...	1	...	...	1	...	...	1	1
Spence's Bridge.....	...	...	1	...	...	...	...	...	...	...	...	...	...	...	...	...	...	...	...	...	...	...
Isowasson.....	...	...	...	...	...	...	...	...	...	...	...	...	...	...	...	...	...	...	...	1	...	...
Musqueam.....	...	...	...	...	...	...	...	...	...	...	...	...	...	...	...	...	...	...	...	...	...	...
Coquitlan.....	...	...	...	...	...	...	...	...	...	...	...	...	...	...	...	...	...	...	...	...	...	...
Langley.....	...	...	1	...	...	...	...	...	...	...	...	1	1	...	...	...	4	...	...	...	...	...
Whonock.....	...	...	...	1	1	...	...	...	...	...	...	...	...	...	1	...	...	...	...	...	2	...
Sumas, No. 1.....	...	...	...	...	...	...	...	...	...	1	1	...	...	...	1	...	...	...	...	1	1	...
Sumas, No. 2.....	...	...	...	...	...	...	...	...	...	1	1	...	...	...	1	...	...	1	...	...	1	...
Squah.....	1	...	2	...	...	...	...	...	...	...	...	...	...	...	1	...	...	...	...	...	...	...
Squihala.....	...	...	1	...	...	...	...	...	...	1	1	...	...	...	...	...	...	...	...	...	...	1
Coquippit.....	...	...	...	...	...	...	...	...	...	...	...	...	...	1	...	...	...	1	1	...	...	...



[A.]—BRITISH COLUMBIA,—

AGRICULTURAL Implements and Carpenter's Tools,

Name of Chief or Tribe.	Ploughs.	Harrow Pins.	Harness.	Spades.	Shovels.	Hoes.	Rakes.	Scythes and Snaths.	Cradle and Scythes.	1-inch Auger.	2-inch Auger.	Jack Plane.	Smoothing Jack Plane.	Gross-cut Saw.	Whip Saw.	Hand Saw.	Hay Fork.	Grind Stone.	Fixtures.	Hammers.	Draw Knives.	Frows.
<i>Nicola Valley.—Concluded.</i>																						
Schuye .....			1													1				1	1	
Cultus' Lake.....							2					1				1				1	1	
Squeam.....										1												
Nicoamin.....											1									1		
Harrison River .....			1																			
Cheam.....			1		5									1						1		
Pop-Kum.....																						
False Creek.....																						
Stewart's Lake .....				24		24																
Total.....	29	21	37	134	78	103	50	51	20	25	28	28	24	26	12	35	48	27	10	30	27	23

Fraser Superintendency.—*Concluded*

supplied to the undermentioned Chiefs, &c.—*Concluded.*

	Maul Rings.	Picks.	Axes.	Socket Chisel.	Brace and Bits.	Squares.	Match Plane.	Moulding Match Plane.	Spirit Levels.	Whet Stone.	Sash Brush.	Saw Files.	Screw Driver.	Carpenters' Rule.	Gimlet.	Logging Chains.	Mattock's Heads.	Broad Axes.	Ox Yoke.	Ox Chain.	Hand Axe.	Brush Hook.	Nails, lbs.	Chain, lbs.	Whiffle-trees, pairs.	Trying Square.	Wrench.	Windows, pairs.	Sundry Tools.	Remarks.					
10																																			
14			1			1																													
66		1																																	
47		2																																	
18																																			
19																																			
1																																			
2																																			
1																																			
3																																			
9																																			
1																																			
1																																			
3																																			
1																																			
1																																			
3																																			
2																																			
32																																			
3																																			
3																																			
4																																			
5																																			
1																																			
3																																			
785																							50												
52																							50												
2																							100												
2																							50	23											
1																							100												
1																																			
1																																			
6																																			
*93																																			

Numbering 52 Tribes.

\* Consisting of carpenters and blacksmiths' tools, not enumerated.

JAMES LENIHAN  
Indian Superintendent.

[B.]

BRITISH COLUMBIA.

FRASER SUPERINTENDENCY.

NAMES of the various Tribes to whom Seed was supplied, from the 1st July, 1877, to 30th June, 1878.

No.	Name of Tribe.	No. of Packages sent, "Assorted."	Amount.	Remarks.
			\$ cts.	
1	Isquahala .....	9 dozen .....	8 10	
2	Koquahpilt. ....	9 do .....	8 10	
3	Squay-yah .....	12 do .....	10 80	
4	Assylitch.....	9 do .....	8 10	
5	Sko-kale.....	9 do .....	8 10	
6	Schuye.....	9 do .....	8 10	
7	Popkum.....	9 do .....	8 10	
8	Harrison River .....	12 do .....	10 80	
9	Isamis.....	18 do .....	16 20	
10	Sumas .....	12 do .....	10 80	
11	Sowhylic.....	12 do .....	10 80	
12	Matsqui.....	12 do .....	10 80	
13	Kamloops.....	48 do .....	43 20	
14	North River .....	18 do .....	16 20	
15	Naskantlines.....	18 do .....	16 20	
16	Adam's Lake.....	24 do .....	21 60	
17	Sushwap .....	30 do .....	27 00	
18	Dead Man's Creek.....	12 do .....	10 80	
19	Bonaparte.....	12 do .....	10 80	
20	Cornwalle .....	12 do .....	10 80	
21	Clinton .....	12 do .....	10 80	
22	Isamuck .....	6 do .....	5 40	
23	Fountain.....	48 do .....	43 20	
24	Leon's Creek .....	9 do .....	8 10	
25	Pavilion .....	12 do .....	10 80	
26	Anderson Lake.....	12 do .....	10 80	
27	Lillooet .....	12 do .....	10 80	
28	Bridge River .....	18 do .....	16 20	
29	Quesnelle .....	18 do .....	16 20	
30	Alexandria.....	12 do .....	10 80	
31	Soda Creek.....	24 do .....	21 60	
32	Chilcotin.....	48 do .....	43 20	
33	Canoe Lake .....	6 do .....	5 40	
34	Dog Creek .....	6 do .....	5 40	
35	William's Lake .....	18 do .....	16 20	
36	Alkali Lake .....	24 do .....	21 60	
37	Canoe Creek.....	24 do .....	21 60	
38	E-w-aw-was .....	12 do .....	10 80	
39	Ohamiel.....	9 do .....	8 10	
40	Squatils.....	9 do .....	8 10	
41	Fort Hope.....	18 do .....	16 20	
42	Stryen.....	12 do .....	10 80	
43	Nitlpam.....	6 do .....	5 40	
44	Nisucap .....	6 do .....	5 40	
45	Chawack .....	6 do .....	5 40	
46	Nilsumack.....	9 do .....	8 10	
47	Nacomen.....	12 do .....	10 80	
48	No-qui-quahko.....	12 do .....	10 80	
49	Shakken .....	9 do .....	8 10	
50	Skepah .....	18 do .....	16 20	
51	Seakop .....	6 do .....	5 40	
52	Kopaalk .....	12 do .....	10 80	
53	Sooke.....	6 do .....	5 40	
54	Quelshose .....	6 do .....	5 40	

NAMES of the various Tribes to whom Seed was supplied, &c.—*Continued.*

No.	Name of Tribe.	No. of Packages sent, "Assorted."	Amount.	Remarks.
			\$ cts.	
55	Tay-ab-Muck.....	6 dozen.....	5 40	
56	Shuitackle.....	6 do.....	5 40	
57	Boston Bar.....	42 do.....	37 80	
58	Ainslie Creek.....	12 do.....	10 80	
59	Spuzzum.....	18 do.....	16 20	
60	Chapman's Bar.....	9 do.....	8 10	
61	Opichiken.....	9 do.....	8 10	
62	Yale.....	18 do.....	16 20	
63	Haltalt.....	12 do.....	10 80	
64	Spence's Bridge.....	18 do.....	16 20	
65	Lytton.....	36 do.....	32 40	
66	Tayosap.....	6 do.....	5 40	
67	Nehowmean.....	12 do.....	10 80	
68	Spapium.....	6 do.....	5 40	
69	Macayah.....	6 do.....	5 40	
70	Squacum.....	9 do.....	8 10	
71	Nehaltmoken.....	9 do.....	8 10	
72	Stewart's Lake.....	10 lbs. swede... 5 lbs. carrot... do onions... 2½ lbs parsnips do cabbage	43 75	
73	Douglas.....	12 dozen.....	10 80	
74	Stratten.....	12 do.....	10 80	
75	Isalwakten.....	12 do.....	10 80	
76	Kemanks.....	12 do.....	10 80	
77	Tarthem.....	12 do.....	10 80	
78	Samackman.....	12 do.....	10 80	
79	Kathlaram.....	12 do.....	10 80	
80	Kammuck.....	12 do.....	10 80	
81	Stahlouk.....	12 do.....	10 80	
82	Flowpauhoultin.....	12 do.....	10 80	
83	Cheam.....	30 do.....	27 00	
84	Simiahmoo.....	9 do.....	8 10	
85	Is-owasson.....	12 do.....	10 80	
86	Skawmish.....	6 do.....	5 40	
87	Burrard Inlet (2).....	24 do.....	21 60	
88	False Creek.....	15 do.....	13 50	
89	Kootenay.....	60 do.....	75 00	
90	Head of Okaangan Lake.....	30 do.....	27 00	
91	Foot of do.....	36 do.....	32 40	
92	Spellammachum.....	36 do.....	32 40	
93	Mission Valley, O.K.....	30 do.....	27 00	
94	Osooyoos.....	36 do.....	32 40	
95	Skowall.....	12 do.....	10 80	
96	Katezie.....	12 do.....	10 80	
97	Burrard Inlet (3).....	9 do.....	8 10	
98	Musqueam.....	12 do.....	10 80	
99	Coquitlan.....	9 do.....	8 10	
.....	F. W. Forster.....	Freight.....	6 00	
.....	Rev. Father Horris.....	do.....	5 70	
.....	Schwabacher Bros.....	do.....	30 00	
.....	Barnard's Express charges.....	do.....	136 33	
	Total.....		1,606 28	

JAMES LENIHAN,

*Indian Superintendent.*



[C.]

## BRITISH COLUMBIA.

SUPPLIES of Dry Goods, Clothing, Provisions, &c., to Indians in the Fraser Superintendency for the Year ending 30th June, 1878.

Goods.	30th Sept., 1877.	31st Dec., 1877.	31st March, 1878.	30th June, 1878.	Amount.	Remarks.
	\$ cts.	\$ cts.	\$ cts.	\$ cts.		
Blankets.....		146 25	77 00		223 25	
Boots.....			5 00		5 00	
Cash and goods.....	53 00	30 96	3 00		87 86	
Coats.....			13 00	4 25	17 25	
Drawers.....	4 50	14 00	1 50		20 00	
Flannel.....		14 25	7 75	1 50	23 50	
Hats.....		1 25			1 25	
Pants.....	15 25	15 00	18 50		48 75	
Print.....			4 37		4 37	
Provisions.....	521 50	173 45½	402 20½	59 00	1,156 16	
Shawls.....			20 50		20 50	
Shirts.....	15 00	19 25	13 00		47 25	
Shoes.....	3 00	73 75	28 25		105 00	
Soap.....	1 75	1 87		1 00	4 62	
Socks.....	1 50	2 62½	3 00		7 12½	
Stockings.....		14 75	5 50		20 25	
Tobacco.....	38 00	6 00	14 00	2 00	60 00	
Winsey.....		10 00	13 11	4 88	27 99	
Total.....					1,880 12½	

JAMES LENIHAN,

*Indian Superintendent.*

NEW WESTMINSTER, 9th September, 1878.

[D.]—BRITISH COLUMBIA.  
FRASER SUPERINTENDENCY.

RETURN showing the number of cases receiving Medical Treatment and Medicines in the District of New Westminster, including Yale, for the Year ending 30th June, 1878.

PERIOD.	Amount.		Number of Cases.
	\$	cts.	
From 1st July, 1877, to 30th June, 1878	1,144	62½	553
Medicines supplied to Missionaries and others, from 1st July, 1877, to 30th June, 1878, for the use of the Indians	764	32	
Total..			553
Abscess.	9	5 19	
Accidents.	5	19 22	
Asthma.	5	19 22	
Bone disease.	22	40	
Bronchitis.	40		
Cancer.	113	111	
Diphtheria.	11	12	
Disease of Womb.	11	12	
Dysentery.	12	10	
Erysipelas.	102	12	
Fever.	102	12	
Fever, Typhoid.	3	30	
Gonorrhoea.	3	30	
General Debility.	1	1	
Hemorrhage.	1	1	
Hoopings Cough.	1	1	
Inflammation of Lungs.	1	1	
Injured Spine.	1	1	
Lumbago.	1	20	
Ophthalmia.	22	43	
Pneumonia.	22	43	
Phthisis.	43	37	
Rheumatism.	37	2	
Ruptures.	2	47	
Scrofula.	2	47	
Secondary "Syphills."	47	22	
Tumor.	4	36	
Ulcers.	4	36	
Fractures.	4	36	

JAMES LENIHAN,  
Indian Superintendent.

NEW WESTMINSTER, 9th September, 1878.

## BRITISH COLUMBIA.

RETURN of Indians confined in New Westminster Gaol, between the 1st July, 1877,  
and the 30th June, 1878.

Offences.	Number of Prisoners.	Remarks.
Drunk and disorderly.....	79	
Assault.....	14	
Stealing.....	9	
Supplying spirits to other Indians.....	17	
Spirituos liquor in possession.....	10	
Violating contract.....	4	
House-breaking.....	2	
Murder.....	2	
Vagrants.....	2	
Larceny.....	1	
Attempting to commit suicide.....	1	
	141	

JAMES LENIHAN,  
*Indian Superintendent.*

NEW WESTMINSTER, 9th Sept., 1878.

RETURN A. 1  
Of Officers and Employés of the Indian Branch, Department of the Interior, for the Year ended 30th June, 1878.  
HEADQUARTERS.

Designation.	Name.	Annual Salary.	When appointed to Indian Branch.	By whom appointed.	Date of first appointment to the Civil Service.	Remarks.
Superintendent-General .....	Hon. David Mills .....	\$ cts. ....	October, 1876.....	.....	.....	Holds this office combined with that of Minister of the Interior.
Deputy Superintendent-General .....	L. Vankoughnet.....	2,150 00 .....	13th Feb, 1861.....	Governor in Council ...	13th Feb., 1861...	
Accountant.....	Robt. Sinclair.....	1,500 00 .....	1st June, 1873.....	do .....	April, 1859.....	
Clerk in Charge of Land Sales ...	J. V. DeBoucherville .....	1,300 00 .....	1st April, 1874.....	do .....	May, 1864.....	
Corresponding Clerk.....	A. N. McNeill.....	1,250 00 .....	1st July, 1874.....	do .....	1st July, 1874.....	
Assistant Corresponding Clerk ...	M. Benson.....	750 00 .....	22nd April, 1876.....	do .....	22nd April, 1876.....	
Assistant Accountant.....	F. W. Smith .....	950 00 .....	1st Sept., 1873.....	do .....	13th Oct., 1870.....	
Clerk of Records.....	T. F. S. Kirkpatrick.....	900 00 .....	6th August, 1873.....	do .....	6th August, 1873.....	
Assistant Clerk of Land Sales.....	J. D. McLean .....	550 00 .....	25th Oct., 1876.....	do .....	25th Oct., 1876.....	

L. VANKOUGHNET,  
Deputy Sup.-Gen. of Indian Affairs.

WILL. HOWE,  
Paymaster.

DEPARTMENT OF THE INTERIOR,  
INDIAN BRANCH, OTTAWA, 30th June, 1878.

RETURN A (2).  
Of Officers and Employés of the Indian Branch, Department of the Interior, for the Year ended 30th June, 1878.  
OUTSIDE SERVICE.

BRITISH COLUMBIA.

Names.	Office.	Annual Salary.	Where Stationed.	Remarks.
J. W. Powell, M.D.	Superintendent, Victoria Superintendency	\$ 2,600 00	Victoria, B.C.	With travelling expenses.
do	Medical Officer	400 00	do	With \$400 per annum additional for purchase of medicines.
James Lenihan	Superintendent, Fraser Superintendency	2,400 00	New Westminster	With travelling expenses.

MANITOBA AND THE NORTH-WEST.

J. A. N. Provencher	Late Acting Superintendent	1,200 00	Winnipeg	Services dispensed with in April, 1878.
Jas. F. Graham	Acting Superintendent, Manitoba Superintendency	1,000 00	Fort Francis	With travelling expenses.
R. Pither	Agent	1,000 00	Oak Point	do
H. Maréchal	do	1,000 00	St. Peters	do
D. Young, M.D.	do	1,000 00	Assabaskasing	Services dispensed with in January, 1878.
Geo. McPherson	do	300 00	Norway House	
Willoughby Clark	Late Agent	50 00	Portage la Prairie	
F. Ogilvie	Agent (provisionally)	250 00	Emerson	
Geo. Newcomb	do	250 00	Fort Francis	
N. Chastellains	Interpreter	1,150 00	Battleford	
M.-G. Dickieson	Clerk, North-West Superintendency	250 00	do	
do	Agent for Treaty No. 6	1,000 00	Swan River	
A. McDonald	do	1,400 00	Battleford	With an allowance of \$500 per annum additional to cover all travelling expenses in connection with his duties as Medical Superintendent.
D. Hagerty, M.D.	Medical Superintendent	500 00	Swan River	
Robt. Miller, M.D.	Medical Officer			

R. B. Nevitt, M.D.  
E. McColl

500 00 Fort McLeod.  
1,400 00 Winnipeg

do  
Inspector of Indian Agencies

For Manitoba Superintendency only.

NOVA SCOTIA.

John Harlow	Agent	Bear River	100 00	District No. 1, for Counties of Annapolis, Digby, Yarmouth and Shelburne.
J. E. Beckwith	do	Canning	25 00	do No. 2, for Kings County.
Rev. Thos. Butler	do	Caledonia	25 00	do No. 2, for Queens County.
Rev. E. J. McCarthy	do	Chester	37 60	do No. 2, for County Lunenburg.
Rev. Mr. O'Connor	do	Bedford	33 33	do No. 3, for County Halifax.
Dr. McLean	do	Shubenacadie	33 33	do No. 3, for Counties Hants and Colchester.
Dr. A. F. Clark	do	Parsboro'	33 33	do No. 3, for County Cumberland.
Rev. R. McDonald	do	Pictou	100 00	do No. 4, for County Pictou.
Rev. Wm. Chisholm	do	Antigonish	100 00	do No. 5, for Counties Antigonish and Guysboro'
Rev. J. McDougall	do	Red Island	100 00	do No. 6, for County Richmond, C.B.
Rev. D. Melseac	do	River Inhabitants	50 00	do No. 7, for County Inverness.
Rev. A. F. McHilivray	do	Grand Narrows	50 00	do No. 7, for County Victoria.
Rev. M. McKenzie	do	Christmas Island	100 00	do No. 8, for County Cape Breton, C.B.

NEW BRUNSWICK.

Wm. Fisher	Superintendent	Fredericton	400 00	South-Western Superintendency.
C. Sargeant	do	Chatham	400 00	do
Rev. J. J. O'Leary	Missionary acting as Agent	Tobique	100 00	North-Eastern
Rev. J. C. McDevitt	do	Fredericton	200 00	
Rev. John Carter	do	Renous Bridge	100 00	
Rev. W. Morrissey	do	Oak Point	100 00	
J. S. Benson, M.D.	Medical Officer	Newcastle	30 00	

PRINCE EDWARD ISLAND.

T. Stewart	Superintendent	Charlottetown	200 00	With \$100 a year for travelling expenses.
------------	----------------	---------------	--------	--

RETURN A (2)—Of Officers and Employés of the Indian Branch, Department of the Interior, for the Year ended 30th June, 1878.—Continued.

OUTSIDE SERVICE.—Continued.

ONTARIO.

Names.	Office.	Annual Salary.	Where Stationed.	Remarks.
Wm. Plummer .....	Superintendent.....	\$ cts. 1,400 00	Toronto.....	With \$200 a year for travelling expenses, and 3 per cent. commission on timber dues collected.
R. G. Dalton .....	Clerk .....	800 00	do .....	
J. T. Gilkison.....	Superintendent.....	1,610 00	Brantford.....	With \$140 a year for travelling expenses and \$200 a year for house and office rent.
C. H. Andrews .....	Clerk .....	900 00	do .....	
J. C. Phipps .....	Superintendent.....	1,200 00	Manitowaning, Manitowlin Island.....	With \$100 a year for travelling expenses and 3 per cent. commission on timber and land sale collections.
McGregor Ironside.....	Clerk and Interpreter.....	720 00	do .....	With \$100 per annum for travelling expenses. Vice Robert Mackenzie.
E. Watson .....	Superintendent.....	1,300 00	do .....	With actual travelling expenses; \$60 a year for office rent; 5 per cent. commission on collections up to \$2,000, and 2½ per cent. on any collections in excess of that amount.
C. Skene.....	do .....	900 00	Parry Sound.....	With \$68.50 year a. for office rent and fuel and 3 per cent. commission on collections.
Wm. Van Abbot.....	Agent .....	500 00	Sault St. Marie.....	Vice F. McAnnam, deceased. Receives, in lieu of salary, 5 per cent. commission on land sale collections.
T. G. Pile.....	do .....		Mill Point.....	With 3 per cent. on timber dues collected.
Thos. Gordon.....	do .....	400 00	Strathroy.....	
Amos Wright.....	do .....	600 00	Prince Arthur's Landing	
Mathew Hill.....	do .....	350 00	Shannonville.....	
A. B. Cowan .....	do .....	250 00	Ganacque .....	With \$100 for travelling expenses.
John F. Day.....	do .....		Bruce Mines .....	For lands in township of Thessalon; receiving, in lieu of salary, 5 per cent. on collections up to \$2,000, and 2½ per cent. on any collections in excess of that amount.

B. B. Miller	do	Warton	25 00	Receives, in lieu of salary, 5 per cent. commission on collections up to \$2,000, and 2½ per cent. on any collections in excess of that amount.
John Wallace	do	} On the islands between Prescott and Kingston. Eganville.	25 00	Guardians of islands in the River St. Lawrence between Prescott and Kingston. Receives, in lieu of salary, 10 per cent. on disbursements up to \$200.
A. Root	do		25 00	
J. L. Thompson	do		do	
Henry George	do	do	do	do

QUEBEC.

A. LeBel, jun.	Agent	Rivière du Loup	150 00	With 5 per cent. commission on land sale collections up to \$2,000, and 2½ per cent. on any collections in excess of that amount.
John Davidson	do	Dundee	do	Receives, in lieu of salary, 10 per cent. commission and 2½ per cent. on disbursements.
L. A. DeBlois	do	St. François du Lac	do	Receives, in lieu of salary, 10 per cent. on collections and 2½ per cent. on disbursements.
P. Moore	do	River Désert	do	Receives, in lieu of salary, 10 per cent. on disbursements.
L. E. Otis	do	Lac St. Jean	200 00	With \$60 a year for office rent.
G. E. Cherrier	do	Gaughnawaga	400 00	
John McGirr	do (provisionally)	Oka	500 00	
Rev. F. Boucher	Missionary acting as Agent	Lorette	225 96	
Rev. F. Marcoux	do	St. Regis	203 32	
Rev. L. Trahan	do	St. François du Lac	235 00	

ROBERT SINCLAIR,  
Accountant, Indian Affairs.

L. VANKOUGHNET,  
Deputy Supt.-Gen. of Indian Affairs.

DEPARTMENT OF THE INTERIOR,  
INDIAN BRANCH, OTTAWA, 30th June, 1878.





RETURN "B" INCLUDES SIXTY-TWO SUBSIDIARY STATEMENTS FOLLOWING.

ANALYZED BALANCE SHEET, showing the condition of the INDIAN FUND on the 30th June, 1878; the additions to and deductions therefrom, during the year 1877-8; and the Balances at the credit of the various Tribes and Funds, on the 30th June, 1878.

Balances at Credit of the several Tribes and Funds on 30th June, 1877.			REVENUE.							Total Revenue, 1877-78.	NAME OF TRIBE OR FUND.	EXPENDITURE.				Balances at Credit of the Tribes and Funds, on 30th June, 1878.			
Total Balances.	At credit of Capital Account.	At credit of Interest Account.	Available (with Balance at Credit of Interest) for distribution during year 1877-78.				Placed to Credit of Capital Account, and not distributable.	By Warrants.	By Transfers.			Total Expenditure.	At Credit of Interest Account.	At Credit of Capital Account.	Total Balances.				
\$ cts.	\$ cts.	\$ cts.	(1)	(2)	(3)	(4)	(5)	(6)	(7)	\$ cts.		(1)	(2)	(3)	(4)	\$ cts.	\$ cts.	\$ cts.	\$ cts.
											Ontario.								
10,408 93	10,268 32	140 61	520 44						168 90	778 34	Batchewana Bay Indians.....	1,000 00	530 52	96 84	5 34	1,633 12	9,340 38	213 77	9,554 15
52,264 29	51,697 02	567 27	2,681 60						123 23	2,809 56	Chippewas of Beausoleil.....		2,689 45	12 32		2,701 77	564 15	51,807 93	52,372 08
266,782 41	264,169 72	2,612 69	13,935 52						49 25	22,631 20	do Nawash.....	517 00	13,346 83	802 13	8 87	14,674 83	3,241 76	271,497 02	274,738 78
50,647 66	50,058 59	589 07	2,604 32						4 34	3,726 09	do Rama.....	645 13	2,602 90	111 75		3,359 78	594 83	50,419 14	51,013 97
162,766 42	161,003 02	1,763 40	8,540 28						4,668 81	13,209 09	do Sarnia.....		8,529 02	366 88		8,995 90	1,774 66	165,204 95	166,979 61
214,840 04	212,356 99	2,483 05	11,358 40						5 91	20,627 80	do Saugeen.....		11,198 60	921 42	2 96	12,122 98	2,695 05	229,619 81	223,344 86
24,021 27	23,730 16	291 11	1,234 72						3 43	1,368 80	do Snake Island.....		1,253 08	13 07		1,266 15	276 18	23,847 74	24,123 92
69,194 91	68,949 63	245 28	3,589 76						123 50	3,893 80	do Thames.....		3,503 03	16 22		3,519 25	455 51	69,113 95	69,569 46
57,415 59	56,778 63	636 96	2,916 00						400 00	3,316 00	do Walpole Island.....		3,369 89		24 00	3,393 89	559 07	56,778 63	57,337 70
1,197 10	1,062 33	134 77	59 84							59 84	Fort William Band.....		179 65			179 65	14 96	1,062 33	1,077 29
898 15	887 86	10 29	45 00						8 00	53 00	French River Indians.....		44 04			44 04	19 25	887 86	907 11
23,478 24	22,972 61	505 63	1,173 92						216 00	3,457 82	Garden River Indians.....	971 51	1,414 27	187 88	12 96	2,586 62	468 32	23,881 12	24,319 44
652 96	639 21	13 75	32 64							1,406 95	Henry's Inlet Indians.....		38 23	137 43		175 66	8 16	1,876 09	1,884 25
10,798 59	10,573 55	225 04	539 92						90 00	629 92	Lake Nipissing Indians.....		629 98		5 40	635 38	219 58	10,573 55	10,793 13
96 04	71 49	24 55	4 80							4 80	Manitoulin Island Indians.....						29 35	71 49	100 84
393 91	346 29	47 62	19 68						27 00	46 68	Meganattewan Indians.....		10 00			10 00	84 30	346 29	430 59
81,376 86	80,424 33	952 23	4,271 04						252 18	5,659 08	Mississaugas of Alnwick.....		4,254 69	131 58	16 29	4,402 56	1,224 47	81,408 61	82,633 08
117,368 90	116,883 96	484 94	6,435 44						48 59	7,188 48	do Credit.....		5,760 48	70 42		5,830 90	1,208 49	117,517 99	118,726 48
56,500 08	55,891 48	608 60	2,828 00							3,214 79	do Rice and Mud Lakes.....		2,827 22	38 63	5 00	2,870 85	664 38	56,239 64	56,904 02
11,632 58	11,500 71	131 87	581 84							601 64	do Scougog.....		580 60	2 00		582 60	132 91	11,518 71	11,651 62
97,056 18	96,174 71	881 47	5,660 36						1,510 05	17,663 05	Mohawks of Bay of Quinte.....	452 20	7,090 11	122 53	72 39	7,737 23	1,062 12	105,819 88	106,882 00
146,309 04	144,602 44	1,706 60	7,486 44							12,463 37	Moravians of Thames.....	187 00	7,566 43	497 70		8,251 13	1,626 61	148,894 67	150,521 28
2,692 65	2,658 99	33 66	134 64						11 00	145 64	Munsees of Thames.....		145 64			145 64	33 66	2,658 99	2,692 65
40,373 79	40,337 94	35 85	2,018 68						337 95	16,367 01	Ojibwees and Ottawas of Manitoulin Island.....	2,770 00	1,995 70	1,401 04		6,166 74	396 78	50,177 28	50,574 06
50,429 55	48,000 00	2,429 55	2,521 48	7,764 45	8 00				1,280 69	11,574 62	Ojibwees of Lake Huron.....	1,280 69	10,277 88		1,280 69	12,839 26	1,164 91	48,000 00	49,164 91
42,378 80	40,000 00	2,378 80	2,118 88	3,235 55					695 31	6,049 74	do Lake Superior.....	695 31	6,400 00		695 31	7,790 62	637 42	40,000 00	40,637 42
1,509 13	1,490 43	18 70	75 44							388 43	do Mississauga River.....		104 14	28 41		132 55	18 86	1,746 15	1,765 01
497 43	487 04	10 39	24 88							24 88	Oncidas of Thames.....		29 05			29 05	6 22	487 04	493 26
31,128 31	30,747 95	380 36	1,566 40							1,566 40	Parry Island Indians.....		1,547 66			1,547 66	389 10	30,747 95	31,137 05
3,956 67	3,907 09	49 58	197 84							197 84	Pottawatamies, Walpole Island.....		197 96			197 96	49 46	3,907 09	3,956 55
1,005 11	986 67	18 44	50 24						80 00	130 24	Serpent River Indians.....		56 12		5 55	61 67	87 01	986 67	1,073 68
1,733 78	1,712 00	21 78	86 68						8 00	94 68	Shawanaga Indians.....		86 79			86 79	29 67	1,712 00	1,741 67
859,148 85	851,243 49	7,905 36	49,209 76						111 56	55,099 63	Six Nations, Grand River.....	35,244 62	48,035 32	1,214 61		84,494 55	9,898 95	819,854 38	829,753 33
2,844 61	2,832 15	12 46	142 24							142 24	Spanish River Indians.....		119 14			119 14	35 56	2,832 15	2,867 71
1,679 43	1,649 67	29 76	83 96							2,950 96	Thessalon River Indians.....	42 00	92 73	286 70		421 43	20 99	4,187 97	4,208 96
913 68	900 00	13 68	54 68							54 68	Tootomenai and Band.....		54 69			54 69	13 67	900 00	913 67
301 14	284 06	17 08	15 04							15 04	Whitefish River Indians.....		28 36			28 36	3 76	284 06	287 82
63,544 75	62,865 01	679 74	3,334 00							6,309 95	Wyandotts of Anderdon.....	767 00	3,262 74	297 60		4,327 34	751 00	64,776 36	65,527 36
											Quebec.								
911 79	889 13	22 66	48 64							46 64	Abenakis of St. Francis.....		57 50			57 50	13 80	889 13	902 93
1,340 26	1,313 64	26 62	67 00							67 00	Amalictes of Isle Verte and Viger.....		76 87			76 87	16 75	1,313 64	1,330 39
164 69	133 43	31 26	8 24							8 24	Golden Lake Indians.....						39 50	133 43	172 93
376 04	360 71	15 33	18 80						36 00	54 80	Hurons of Lorette.....		53 85		2 18	56 03	14 10	360 71	374 81
4,928 86	4,801 22	127 64	256 84						947 10	7,803 74	Iroquois of Caughnawaga.....	662 97	1,259 79	1,013 92	49 16	2,985 84	449 81	9,296 95	9,746 76
30,510 71	29,882 74	627 97	1,785 52						1,337 47	3,122 99	do St. Regis.....		3,387 53		80 19	3,437 72	313 24	29,882 74	30,195 98
1,308 02	1,289 85	18 17	65 40							356 24	Lake St. John Indians.....		67 22	29 08		96 30	16 35	1,289 85	1,306 10
1,040 28	1,026 18	14 10	55 48							55 48	Lake of Two Mountains Indians.....		55 71			55 71	13 87	1,026 18	1,040 05
1,345 33	896 55	448 78	67 28						1,610 46	1,677 74	Nipissingas, &c., of Upper Ottawa.....			161 05		161 05	516 06	2,345 96	2,862 02
25,744 71	25,323 32	421 39	1,318 60						128 25	3,124 99	River Desert Indians.....	157 75	1,482 10	165 54	7 90	1,813 29	378 24	26,678 17	27,056 41
											British Columbia.								
165 00	165 00		276 58							4,047 59	Indians of British Columbia.....							4,212 59	4,212 59
13 75	13 75		3 79							42 79	Manitoba and North-West Territories.							56 54	56 54
											Indians of Manitoba and North-West.....								
100 00	100 00		86 65							1,358 69	Nova Scotia.							1,458 69	1,458 69
											Indians of Nova Scotia.....								
											New Brunswick.								
1,111 31	1,097 41	13 90	44 24						884 73	1,252 32	Indians of New Brunswick.....			10 80		13 80	1,241 52	1,241 52	
			55 56							55 56	Tobique Indians.....		55 57			55 57	13 89	1,097 41	1,111 30
											Funds Belonging to Ontario.								
890 52	725 06	165 46	44 52																



RETURN B.—Continued.

INDIAN LAND MANAGEMENT FUND.

Dr. BATCHEWANA BAY INDIANS, in Account Current with the Indian Office, Department of the Interior. Cr.

	Capital.	Interest.	Capital.	Interest.
	\$ cts.	\$ cts.	\$ cts.	\$ cts.
To the following payments:—				
Relief to aged and infirm Indians .....		101 50	By Balance, 30th June, 1877' .....	140 61
Medicines .....		36 77	Rent collections .....	89 00
Distribution of interest money .....		392 67	Land sales .....	168 90
Grant towards roads .....	1,000 00		Interest on invested capital .....	520 44
Percentage on collections carried to credit of Management Fund .....	96 84	5 34		
Balance on 30th June, 1878 .....	9,340 38	213 77		
	10,437 22	750 05	By Balance, 30th June, 1878 .....	750 05
				213 17

L. VANKOUGHNET,  
Deputy Supt.-Gen. of Indian Affairs.

ROBERT SINCLAIR,  
Accountant, Indian Affairs.

DEPARTMENT OF THE INTERIOR,  
INDIAN BRANCH, OTTAWA, 30th June, 1878.

RETURN B--Continued.

DR. CHIPPEWAS OF BEAUSOLIEL in Account Current with the Indian Office, Department of the Interior. Crn.

	Capital.	Interest.	Capital.	Interest.
	\$ cts.	\$ cts.	\$ cts.	\$ cts.
To the following payments :-				
Noah Assan, Chief, salary.....		50 00		
John Assan do .....		50 00		
Allan Salt, Teacher do .....		100 00		
do Secretary do .....		50 00		
Philip Spohn, Physician.....		150 00		
James Assance, Pension.....		25 00		
Percentage on collections carried to credit of Management Fund.....	12 32			
Distribution of interest money.....	51,807 93	2,264 45		
Balance, 30th June, 1878 .....	51,820 25	564 15		
		3,253 60		
			51,820 25	3,253 60
			51,807 93	564 15
By Balance, 30th June, 1878.....				
Land sales .....			51,897 02	567 27
Rent collections .....			123 23	4 73
Interest on invested capital.....				2,681 60

L. VANKOUGHNET,  
Deputy Supt.-Gen. of Indian Affairs.

ROBERT SINCLAIR,  
Accountant, Indian Affairs.

DEPARTMENT OF THE INTERIOR,  
INDIAN BRANCH, OTTAWA, 30th June, 1878.



RETURN B.—Continued.

DR. CHIPPEWAS OF RAMA in Account Current with the Indian Office, Department of the Interior. CR.

	Capital.	Interest.		Capital.	Interest.
	\$ cts.	\$ cts.		\$ cts.	\$ cts.
To the following payments:—					
J. B. Naningishking, Chief, salary.....		75 00	By Balance, 30th June, 1877.....	50,058 59	589 07
Rev. T. Woolsey, for Teacher.....		50 00	Land sales.....	1,117 43	4 34
G. H. Corbett, Physician.....		100 00	Rent.....		2,604 32
Legal expenses.....	401 83		Interest on invested capital.....		
Survey and plans.....	243 30				
Percentage on collections carried to credit of Management Fund.....	111 75	2,377 90			
Distribution of interest moneys.....	50,419 14	594 83			
Balance on 30th June, 1878.....	51,176 02	3,197 73	By Balance, 30th June, 1878.....	51,176 02	3,197 73
				50,419 14	594 83

L. VANKOUGHNET,  
Deputy Supt.-Gen. of Indian Affairs.

ROBERT SINCLAIR,  
Accountant, Indian Affairs.

DEPARTMENT OF THE INTERIOR,  
INDIAN BRANCH, OTTAWA, 30th June, 1878

RETURN B.—Continued.  
 DR CHIPPEWAS OF SARNIA, in Account Current with the Indian Office, Department of the Interior. Cr.

	Capital.	Interest.		Capital.	Interest.
	\$ cts.	\$ cts.		\$ cts.	\$ cts.
To the following payments:—					
Wm. Wawanosh, Chief, salary .....		100 00	By Balance, 30th June, 1877 .....	161,003 02	1,763 40
Wm. Wawanosh, annuity as compensation for improvements on land surrendered, to be sold for the benefit of the Band .....		150 00	Land sales.....	4,688 81	
Wm. Wawanosh, Interpreter, salary .....		100 00	Interest on invested capital .....		8,540 28
John Sumner, Chief and Interpreter, salary .....		30 00			
Jas. Manace do .....		65 00			
N. Flain do do .....		15 00			
W. Jacob do do .....		16 00			
Elijah George do do .....		30 00			
Silas Wabeming do do .....		15 00			
Albert Root, Chapel Stewart, salary .....		15 00			
Robert George, Messenger do .....		25 00			
Wm. Jacob, Teacher do .....		40 00			
Wm. Elliott, do do .....		250 00			
J. Assnagh do do .....		125 00			
Mrs. J. Wawanosh, pension.....		72 91			
Mrs. Salt do .....		125 00			
Mrs. D. B. Wawanosh, do .....		100 00			
Medical services.....		100 00			
Funeral fixings.....		206 47			
Provisions for sick, etc.....		135 29			
School books, fuel, etc .....		214 38			
Music lessons to band.....		72 57			
Percentages on collections carried to credit of Management Fund .....	466 88				
Distribution of interest moneys.....		6,377 40			
Balance, 30th June, 1878.....	165,204 95	1,774 66			
	165,671 83	10,303 68	By Balance, 30th June, 1878.....	165,671 83	10,303 68
				165,204 95	1,774 68

ROBERT SINCLAIR,  
 Accountant, Indian Affairs.  
 DEPARTMENT OF THE INTERIOR,  
 INDIAN BRANCH, OTTAWA 30th June, 1878

L. VANKOUGHNET,  
 Deputy Supt.-Gen. of Indian Affairs.



RETURN B.—Continued.

DR. CHIPPEWAS OF SAUGEEN in Account Current with the Indian Office, Department of the Interior. CR.

	Capital.	Interest.	Capital.	Interest.
	\$ cts.	\$ cts.	\$ cts.	\$ cts.
To the following payments:—				
H. H. Madwayosh, Chief, salary.....	.....	100 00	By Balance, 30th June, 1877.....	212,356 99
Wm. Simon, Sexton do.....	.....	40 00	Land sales.....	9,214 24
J. Kadang-gwon, Chief do.....	.....	100 00	Rent collections.....	49 25
M. B. Madwayosh, Secretary and Interpreter salary.....	.....	200 00	Interest on invested capital.....	11,368 40
Luke Kewagum, Sexton, salary.....	.....	20 00		
W. S. Scott, Physician do.....	.....	180 00		
Jacob Majkezhick, Councillor, salary.....	.....	12 00		
Fredk. Wabbazee do.....	.....	12 00		
David Root do.....	.....	24 00		
John George do.....	.....	12 00		
Peter John do.....	.....	12 00		
Louisa George, Teacher do.....	.....	120 10		
Jane Wegwass, pension do.....	.....	25 00		
Mary Jones do.....	.....	50 00		
Renewal of fishery license, 1878.....	.....	10 00		
One-half of J. E. Trout's expenses in examining lands on Saugeen Peninsula.....	.....	5 91		
Percentage on collections carried to credit of Management Fund.....	921 42	2 96		
Distribution of interest moneys.....	220,649 81	10,269 68		
Balance 30th June, 1878.....	221,571 23	2,695 05	By Balance, 30th June, 1878.....	221,571 23
		13,890 70		13,890 70
				2,695 05

L. VANKOUGHNET,  
Deputy Supt.-Gen. of Indian Affairs.

ROBERT SINCLAIR,  
Accountant, Indian Affairs.

DEPARTMENT OF THE INTERIOR,  
INDIAN BRANCH, OTTAWA, 30th June, 1878.

RETURN B—Continued.

DR. CHIPPEWAS OF SNAKE ISLAND in Account Current with the Indian Office, Department of the Interior, Cr.

	Capital.	Interest.	Capital.	Interest.
	\$ cts.	\$ cts.	\$ cts.	\$ cts.
To the following payments:—				
Thos. Bigeance, Chief salary.....		80 00	By Balance, 30th June, 1877.....	23,730 16
Alfred McCue, Teacher do.....		37 50	Land and timber sales.....	130 65
Percentage on collections carried to credit of Management Fund.....	13 07		Rent collections.....	3 43
Distribution of interest moneys.....	23,847 74	1,135 58	Interest on invested capital.....	1,234 72
Balance, 30th June, 1878.....	23,860 81	276 18		
			By Balance, 30th June, 1878.....	23,860 81
				276 18

ROBERT SINCLAIR,  
Accountant, Indian Affairs.

L. VANKOUGHNET,  
Deputy Supt.-Gen. of Indian Affairs.

DEPARTMENT OF THE INTERIOR  
INDIAN BRANCH, OTTAWA, 30th June, 1878

DR. CHIPWEWAS OF THE THAMES in Account Current with the Indian Office, Department of the Interior. CR.

RETURN B.—Continued.

	Capital.	Interest.	Capital.	Interest.
	\$ cts.	\$ cts.	\$ cts.	\$ cts.
To the following payments:—				
Jos. Fisher, teacher, salary.....		200 00	68,949 63	248 28
Geo. Fisher do .....		200 00		25 00
L. Henry do .....		200 00		
J. Henry, Interpreter, salary .....		100 00		
J. Walker, Messenger, salary .....		30 00		
E. Turner do .....		7 50		
J. Grosback do .....		12 00		
P. Kiyoslek do .....		12 00		
J. Penasheenee do .....		7 50		
N. Fox do .....		12 00		
J. Henry, Councillor, salary .....		12 00		
John French do .....		12 00		
Jas. Fisher do .....		12 00		
E. Muskokoman do .....		12 00		
J. Fox do .....		20 00		
J. Tomigo, pension .....		20 00		
G. King do .....		112 50		
Funeral furnishings, &c. ....		84 88		
Provisions and supplies .....		235 50		
Medical services .....		8 75		
Ditching.....		16 00		
J. B. Henry, services as Forest Bailiff .....		20 00		
J. M. Caddy do .....		57 00		
Fuel and repairs to school-house.....		50 00		
Expenses of J. Henry and J. Fisher from Muncy town to Ottawa and return.....				
Percentage on collections carried to credit of Management Fund.....	16 22			
Distribution of interest moneys.....		1,920 90		
Balance, 30th June, 1878 .....	69,113 95	455 51	69,130 17	3,860 04
	69,130 17	3,860 04	69,113 95	455 51
By Balance, 30th June, 1877.....				
By Balance, 30th June, 1877.....				
Moisty of liquor fine.....				
Rent collections .....				
Interest on invested capital.....				

L. VANKOUGHNET,  
Deputy Supt.-Gen. of Indian Affairs.

ROBERT SINCLAIR,  
Accountant, Indian Affairs.

DEPARTMENT OF THE INTERIOR,  
INDIAN BRANCH, OTTAWA, 30th June, 1878.

RETURN B.—Continued.

DR. CHIPPEWAS OF WALPOLE ISLAND in Account Current with the Indian Office, Department of the Interior. CR.

	Capital.	Interest.		Capital.	Interest.
	\$ cts.	\$ cts.		\$ cts.	\$ cts.
To the following payments:—					
P. Kiyoshk, Messenger, salary .....		24 00	By Balance, 30th June, 1877 .....	56,778 63	636 96
J. Penasheenc do .....		24 00	Interest on invested capital.....		2,916 00
J. Cameron, Teacher do .....		100 00			
C. Kiyoshk, Interpreter and Councillor.....		50 00			
J. G. Bird, Chief, salary. . . . .		30 00			
J. Saugce do .....		20 00			
J. Kowsod do .....		20 00			
H. P. Johnston do .....		20 00			
Funeral furnishings.....		70 93			
Percentage on collections carried to credit of Management Fund .....		24 00			
Distribution of interest money .....		2,610 96			
Balance, 30th June, 1878 .....	56,778 63	659 07			
	56,778 63	3,552 96	By Balance, 30th June, 1878 .....	56,778 63	559 07

L. VANKOUGHNET,  
Deputy Supt.-Gen. of Indian Affairs.

ROBERT SINCLAIR,  
Accountant, Indian Affairs.

DEPARTMENT OF THE INTERIOR,  
INDIAN BRANCH, OTTAWA, 30th June, 1878.

RETURN B.—Continued.

DR. FORT WILLIAM BAND in Account Current with the Indian Office, Department of the Interior. Cr.

	Capital.	Interest.		Capital.	Interest.
	\$ cts.	\$ cts.		\$ cts.	\$ cts.
To Distribution of interest money.....	.....	179 65	By Balance, 30th June, 1877.....	1,062 33	134 77
Balance, 30th June, 1878.....	1,062 33	14 96	Interest on invested capital.....	.....	59 84
	1,062 33	194 61	By Balance, 30th June, 1878.....	1,062 33	194 61
				1,062 33	14 96

L. VANKOUGHNET,  
Deputy Supt.-Gen. of Indian Affairs.

ROBERT SINGLAIR,  
Accountant, Indian Affairs.

DEPARTMENT OF THE INTERIOR,  
INDIAN BRANCH, OTTAWA, 30th June, 1878.

RETURN B.—Continued.  
 DR. FRENCH RIVER INDIANS in Account Current with the Indian Office, Department of the Interior. CR.

	Capital.	Interest.	Capital.	Interest.
	\$ cts.	\$ cts.	\$ cts.	\$ cts.
To Distribution of interest moneys. ....		44 04	887 86	10 29
Balance, 30th June, 1878 .....	887 86	19 25		8 00
	887 86	63 29		45 00
			887 86	63 29
			887 86	19 25

L. VANKOUGHNET,  
 Deputy Supt.-Gen. of Indian Affairs.

ROBERT SINCLAIR,  
 Accountant, Indian Affairs.

DEPARTMENT OF THE INTERIOR,  
 INDIAN BRANCH, OTTAWA, 30th June, 1878.

RETURN D.—Continued.

DR. GARDEN RIVER INDIANS in Account Current with the Indian Office, Department of the Interior. Cr.

	Capital.	Interest.		Capital.	Interest.
	\$	cts.		\$	cts.
To the following payments:—			By Balance, 30th June, 1877 .....	22,972 61	505 63
Refund of amount paid in on account of mining locations.....	34 50		Land sales.....	1,611 46	
Medicines and medical attendance.....		51 28	Timber dues.....	267 30	
Relief to aged and infirm Indians.....		104 10	Rent collections.....		216 00
Inspection of Township of Laird.....		115 42	Interest on invested capital.....		1,173 92
G. B. Abry, P. L. S., survey of mining locations..	740 50				
Calvin & Breck, refund of amount overpaid on account of timber cut.....	196 51				
Percentage on collections carried to credit of Management Fund.....	187 88	12 96			
Distribution of interest moneys.....		1,143 47			
Balance, 30th June, 1878.....	23,691 98	468 32			
	24,861 37	1,895 55	By Balance, 30th June, 1878 .....	24,851 37	1,895 55
				23,691 98	468 32

I. VANKOUGHNET,  
Deputy Supt.-Gen. of Indian Affairs.

ROBERT SINCLAIR,  
Accountant, Indian Affairs.

DEPARTMENT OF THE INTERIOR,  
INDIAN BRANCH, OTTAWA, 30th June, 1878.

RETURN B.—Continued.

DR. HENVEY'S INLET INDIANS in Account Current with the Indian Office, Department of the Interior. CR.

	Capital.	Interest.		Capital.	Interest.
	\$ cts.	\$ cts.		\$ cts.	\$ cts.
—			—		
To distribution of interest money .....		38 23	By Balance, 30th June, 1877 .....	639 21	13 75
Percentage on collections carried to credit of Management Fund .....	137 43		Timber sales .....	1,374 31	
Balance, 30th June, 1878 .....	1,876 09	8 16	Interest on invested capital .....		33 64
	2,013 52	45 39		2,013 52	46 39
			By Balance, 30th June, 1878 .....	1,876 09	8 16

L. VANKOUGHNET,  
Deputy Supt.-Gen. of Indian Affairs.

ROBERT SINCLAIR,  
Accountant, Indian Affairs.

DEPARTMENT OF THE INTERIOR,  
INDIAN BRANCH, OTTAWA, 30th June, 1878.



RETURN B.—Continued.

Dr. LAKE NIPISSING INDIANS in Account Current with the Indian Office, Department of the Interior. Cr.

	Capital.	Interest.	Capital.	Interest.
	\$ cts.	\$ cts.	\$ cts.	\$ cts.
To Distribution of interest money.....		639 98		225 04
Percentage on collections carried to credit of Management Fund.....		5 40	10,573 55	96 00
Balance 30th June, 1878.....	10,573 55	219 58	10,573 55	539 92
	10,573 55	854 96	10,573 55	854 96
			10,573 55	219 58

ROBERT SINCLAIR,  
Accountant, Indian Affairs.

L. VANKOUGHNET,  
Deputy Supt.-Gen. of Indian Affairs.

DEPARTMENT OF THE INTERIOR,  
INDIAN BRANCH, OTTAWA, 30th June, 1878.

*MANITOULIN ISLAND INDIANS (unceded portion) in Account Current with the Indian Office,  
Department of the Interior.*

Dr.

Cr.

		Capital.	Interest.			Capital.	Interest.
		\$ cts.	\$ cts.			\$ cts.	\$ cts.
To Balance, 30th June, 1878 .....		71 49	29 35	By Balance to 30th June, 1877.....		71 49	24 65
				Interest on invested capital.....			4 80
		71 49	29 35	By Balance, 30th June, 1878.....		71 49	29 35
						71 49	29 35

L. VANKOUGHNET,  
*Deputy Supt.-Gen. of Indian Affairs.*

ROBERT SINCLAIR,  
*Accountant, Indian Affairs.*

DEPARTMENT OF THE INTERIOR,  
INDIAN BRANCH, OTTAWA, 30th June, 1878.

RETURN B.—Continued.  
 DR. MEGANATEWAN INDIANS in Account Current with the Indian Office, Department of the Interior. Cr.

	Capital.	Interest.		Capital.	Interest.
	\$ cts.	\$ cts.		\$ cts.	\$ cts.
To Relief of Chief Pamiquouaisk-kung.....			By Balance, 30th June, 1877.....	346 29	47 62
Balance, 30th June, 1878.....	346 29	10 00	Rent collected.....		27 00
		81 30	Interest on invested capital.....		19 68
	346 29	91 30	By Balance, 30th June, 1878.....	346 29	94 30
				346 29	84 30

L. VANKOUGHNET,  
 Deputy Supt.-Gen. of Indian Affairs.

ROBERT SINCLAIR,  
 Accountant, Indian Affairs.

DEPARTMENT OF THE INTERIOR,  
 INDIAN BRANCH, OTTAWA, 30th June, 1878.

RETURN B.—Continued.

DR. MISSISSAGUAS OF ALNWICK in Account Current with the Indian Office, Department of the Interior. Cr.

	Capital.	Interest.	Capital.	Interest.
	\$ cts.	\$ cts.	\$ cts.	\$ cts.
To the following payments:—				
John Sunday, Chief, salary .....		100 00		
Jos. Beaver, Sexton do .....		30 00		
M. Chub, Councillor do .....		24 00		
P. Crow do do .....		24 00		
R. Marsden do do .....		24 00		
Frs. Beaver do and Secretary, salary .....		24 00		
Geo. Blaker, Secretary do .....		48 00		
Geo. Harper, collecting rents .....		40 00		
Wm. Plummer, travelling expenses .....		15 00		
Distribution of interest money .....		3,925 69		
Percentage on collections carried to credit of Management fund .....	111 58	16 29		
Balance on 30th June, 1878 .....	81,408 61	1,224 47		
	81,520 19	5,495 45		
			By Balance, 30th June, 1878 .....	81,408 61
				1,224 47
				5,495 45
				4,271 04
				272 18
				409 00
				686 86
				80,424 33
				952 23

L. VANKOUGHNET,  
Deputy Supt.-Gen. of Indian Affairs.

ROBERT SINCLAIR,  
Accountant, Indian Affairs.

DEPARTMENT OF THE INTERIOR,  
INDIAN BRANCH, OTTAWA, 30th June, 1878.

RETURN B.—Continued.

Dr. MISSISSAGUAS OF CREDIT in Account Current with the Indian Office, Department of the Interior. Cr.

	Capital.	Interest.	Capital.	Interest.
	\$ cts.	\$ cts.	\$ cts.	\$ cts.
To the following payments :				
P. E. Jones, Chief—Salary.....		16 66		
D. Sawyer do do.....		183 67		
Chas. Herchimer, Chief—Salary.....		100 00		
J. Tobicco, Sexton and Messenger—Salary.....		40 00		
J. McLean, Forest Warden do.....		100 00		
P. E. Jones, Physician do.....		250 00		
A. A. Jones, Teacher do.....		200 00		
W. Elliott do.....		38 88		
Mary C. Herchimer, Teacher do.....		150 00		
D. Sawyer — Pension.....		8 33		
Jas. Keschigo do.....		25 00		
Widow Wabaneeb do.....		25 00		
do Chechock do.....		25 00		
A. King do.....		31 25		
Betsy Tobicco do.....		25 00		
Widow Herchimer do.....		12 50		
do Jackson do.....		25 00		
do Young do.....		12 50		
do Wilson do.....		12 50		
do Second do.....		12 50		
Jas. A. Wood, Messenger.....		6 25		
Contingencies.....		21 82		
Support of orphans.....		50 83		
Provisions and supplies.....		114 23		
License Inspectors.....		24 00		
Printing.....		8 00		
Funeral furnishings.....		48 00		
Cost of lumber.....		46 00		
Travelling expenses of Rev. A. Salt.....		10 30		
Law costs.....		101 67		
Percentage on collections carried to credit of Management Fund.....	70 42			
			By Balance, 30th June, 1877.....	116,883 96
			Land sales.....	704 45
			Interest on invested Capital.....	6,435 44
				484 94
				6,435 44

Distribution of interest money.....	.....	3,997 00	
Balance, 30th June, 1878 .....	117,517 99	1,208 49	
	117,588 41	6,920 38	
By Balance, 30th June, 1878.....	117,517 99		6,920 38
			1,208 49

I. VANKOUGHNET,  
Deputy Supt.-Gen. of Indian Affairs.

ROBERT SINCLAIR,  
Accountant, Indian Affairs.

DEPARTMENT OF THE INTERIOR,  
INDIAN BRANCH, OTTAWA, 30th June, 1878.

RETURN B.—Continued.

MISSISSAGUAS OF RICE AND MUD LAKES in Account Current with the Indian Branch, Department of the Interior.

Dr.

Cr.

	Capital.	Interest.		Capital.	Interest.
	\$ cts.	\$ cts.		\$ cts.	\$ cts.
To the following payments:—					
J. Whitung, Chief, salary.....	.....	25 00	By Balance, 30th June, 1877.....	55,591 48	608 60
M. G. Pandash, Chief, salary.....	.....	25 00	Land sales.....	386 79	.....
Robt. Soper, Councillor do.....	.....	4 00	Interest on invested capital.....	.....	2,878 00
Robt. Pandash do.....	.....	4 00			
J. Taylor, Sexton do.....	.....	20 00			
J. D. Muskrat, Sexton do.....	.....	30 00			
J. Rice, Secretary do.....	.....	20 00			
Rev. E. R. Roberts, pension to Mrs. Noger.....	.....	12 48			
Polly Nugun, Pension.....	.....	10 00			
Percentage on collections carried to credit of Management Fund.....	38 63	.....			
Distribution of interest money.....	56,239 64	2,681 74			
Balance, 30th June, 1878.....	56,278 27	664 38			
	56,278 27	3,496 60	By Balance, 30th June, 1878.....	56,278 27	3,496 60
				56,239 64	661 38

L. VANKOUGHNET,  
Deputy Supt.-Gen. of Indian Affairs.

ROBERT SINCLAIR,  
Accountant, Indian Affairs.

DEPARTMENT OF THE INTERIOR,  
INDIAN BRANCH, OTTAWA, 30th June, 1878.

RETURN B.—Continued.

Dr. MISSISSAGUAS OF SCUGOG in Account Current with the Indian Office, Department of the Interior. Cr.

	Capital.	Interest		Capital.	Interest.
	\$ cts.	\$ cts.		\$ cts.	\$ cts.
To the following payments:—			By Balance 30th June, 1877.....	11,500 71	131 87
John Johnston, Chief, salary.....		50 00	Timber sales.....	20 00	581 64
Percentage on Collections carried to credit of Management Fund.....	2 00		Interest on invested capital.....		
Distribution of interest money.....		530 60			
Balance 30th June, 1878.....	11,518 71	132 91			
	11,520 71	713 51	By Balance 30th June, 1878.....	11,520 71	713 51
				11,518 71	132 91

L. VANKOUGHNEI,  
Deputy Supt. Gen. of Indian Affairs.

ROBERT SINCLAIR,  
Accountant, Indian Affairs.

DEPARTMENT OF THE INTERIOR,  
INDIAN BRANCH, OTTAWA 30th June, 1878.



RETURN B—Continued.

DR. MOHAWKS OF BAY OF QUINTE in Account Current with the Indian Office, Department of the Interior. CR.

	Capital.	Interest.	Capital.	Interest.
	\$ cts.	\$ cts.	\$ cts.	\$ cts.
To the following payments:—				
S. Green, Chief, salary.....		40 00	96,174 71	881 47
A. Culbertson, Chief, salary.....		24 00	9,783 25	1,188 53
S. Loft do do .....		24 00	.....	2 00
J. Brant do do .....		24 00	.....	5,838 10
C. Maracle do do .....		24 00	.....	.....
W. Powles do do .....		24 00	.....	.....
Thos Green do do .....		24 00	.....	195 00
Rev E. H. M. Baker, Missionary, salary.....		400 00	.....	.....
John Newton, M.D., salary.....		168 67	.....	.....
Dr. Sunders do .....		33 33	.....	.....
W J. Wilson, Teacher do .....		176 25	.....	.....
Martha Gotthard do do .....		180 00	.....	.....
Lydia Hill do do .....		150 00	.....	.....
A. Loft, Sexton do .....		40 00	.....	.....
Mrs. J. W. Hill, Sexton do .....		20 00	.....	.....
Mrs. Powles Claus, pension .....		24 00	.....	.....
Mrs. N Powles do .....		24 00	.....	.....
Peter Brant do .....		18 00	.....	.....
J. P. Brant, son of late Mrs. Brant, pension.....		6 00	.....	.....
Peggy Spool, pension .....		24 00	.....	.....
Mrs Geo Williams, pension.....		24 00	.....	.....
Improvements to school house and council house.....		118 87	.....	.....
Repairs to roads and bridges.....		85 00	.....	.....
Advance towards education of John Maracle.....		150 60	.....	.....
Mrs J. W. Hill, rent on lot 10 in A, Tyendinaga.....		90 50	.....	.....
Supplies to sick.....		25 00	.....	.....
Repairs to barn on lot 24 in A, Tyendinaga.....		30 00	.....	.....
Wm. Plummer, travelling expenses.....		10 00	.....	.....
Cost of lumber for council house.....		11 83	.....	.....
C. A. Millener, advance to A. Maracle.....		10 00	.....	.....
Bill of costs re Tyendinaga leases.....		79 86	.....	.....
Sundries.....		4 20	.....	.....
By Balance 30th June, 1877.....			436 65	
Land sales .....				
Rents collected.....				
Repayment of loan of \$100 to S. Lewin.....				
Interest on invested capital.....				
Repayment account of loan of \$500 in 1874, for purchase of seed grain.....				
Refund balance of loan of \$910, and interest for purchase of seed made in 1877.....				

Costs of building portion of personsage.....	450 00		
Refund of over-payments on S <sup>y</sup> lot 11 in 6 Ryan- danga.....	2 20		
Percentage on collections carried to credit of Management Fund.....	122 53	72 39	
Distribution of interest money.....	105,819 88	4,986 05	
Balance, 30th June, 1878.....		1,062 12	
	106,394 61	8,176 07	106,394 61
By Balance, 30th June, 1878.....			
			1,062 12

L. VANKOUGHNET,  
*Deputy Supt. Gen. of Indian Affairs.*

ROBERT SINCLAIR,  
*Accountant, Indian Affairs.*

DEPARTMENT OF THE INTERIOR,  
INDIAN BRANCH, OTTAWA, 30th June, 1878.

RETURN B.—Continued.

DR. MORAVIANS OF THE THAMES IN ACCOUNT CURRENT WITH THE INDIAN OFFICE, DEPARTMENT OF THE INTERIOR. Cr.

	Capital.	Interest.	Capital.	Interest.
	\$ cts.	\$ cts.	\$ cts.	\$ cts.
To the following payments:—				
A. E. Putman, Teacher, salary .....		150 00		
D. Edwards do .....		112 50	144,602 44	1,706 60
F. Jacobs, Chief do .....		100 00	4,789 93	
Joshua Jacob, Councillor do .....		12 00		7,495 41
C. M. Stonefish do .....		12 00		
Fred. Wampum do and Secretary, salary .....		24 00		
Ditching, bridges, and repairs to roads .....		253 10		
Stove for school-house and implements for road work .....		30 50		
Wood for school-house .....		32 75		
Expenses of deputation to and from Ottawa .....		125 00		
Sundries .....		30 00		
Percentage on collections placed to credit of Management Fund .....	497 70	6,684 58		
Distribution of interest moneys .....	148,894 67	1,626 61		
Balance, 30th June, 1878 .....	149,392 37	9,193 04	149,392 37	9,193 04
			By Balance, 30th June, 1878 .....	148,894 67
				1,626 61

L. VANKOUGHNET,  
Deputy Supt.-Gen. of Indian Affairs.

ROBERT SINCLAIR,  
Accountant, Indian Affairs.

DEPARTMENT OF THE INTERIOR,  
INDIAN BRANCH, OTTAWA, 30th June, 1878.

RETURN B.—Continued.

DR. THE MUNSEES OF THE THAMES in Account Current with the Indian Office, Department of the Interior. Cr.

	Capital.	Interest.	Capital.	Interest.
	\$ cts.	\$ cts.	\$ cts.	\$ cts.
To the following payments:—				
Distribution of Interest moneys.....	.....	134 64	2,658 99	33 66
Balance 30th June, 1878.....	.....	33 66	.....	134 64
	2,658 99		2,658 99	
	2,658 99	168 30	2,658 99	168 30
			2,658 99	33 66
By Balance 30th June, 1877.....	.....	.....	.....	.....
Interest on invested capital.....	.....	.....	.....	.....
By Balance 30th June, 1878 ... ..	.....	.....	.....	.....

ROBERT SINCLAIR,  
Accountant, Indian Affairs.

L. VANKOUGHNIT,  
Deputy Supt.-Gen. of Indian Affairs.

DEPARTMENT OF THE INTERIOR,  
INDIAN BRANCH, OTTAWA, 30th June, 1878



RETURN B.—Continued.

DR. OJIBBEWAS OF LAKE HURON in Account Current with the Indian Office, Department of the Interior. CR.

	Capital.	Interest.	Capital.	Interest.
	\$ cts.	\$ cts.	\$ cts.	\$ cts.
To Distribut <sup>ns</sup> of Robinson Treaty Money.....		10,269 88		2,429 55
Balance 30 <sup>th</sup> June, 1878.....	48,000 00	1,164 91	48,000 00	7,761 45
				1,240 79
	48,000 00	11,434 79	48,000 00	11,434 79
			48,000 00	1,164 91
By Balance 30th June, 1877.....				
Government for proportion of Grant of \$11,000.....				
Interest on invested capital.....				
Balance 30th June, 1878.....				

L. VANKOUGHNET,  
Deputy Supt. Gen. of Indian Affairs.

ROBERT SINCLAIR,  
Accountant, Indian Affairs.

DEPARTMENT OF THE INTERIOR,  
INDIAN BRANCH, OTTAWA, 30th June, 1878.

RETURN B.—Continued.

DR. OJIBWEAS OF LAKE SUPERIOR in Account Current with the Indian Office, Department of the Interior. CR.

	Capital.	Interest.	Capital.	Interest.
	\$ cts.	\$ cts.	\$ cts.	\$ cts.
To the following payments:—				
Distribution of Robinson Treaty Money.....	40,000 00	6,400 00	40,000 00	2,378 30
Balance, 30th June, 1878.....		637 42		3,235 55
	40,000 00	7,037 42	40,000 00	1,423 57
			40,000 00	7,037 42
			40,000 00	637 42

L. VANKOUGHNET,  
Deputy Supt.-Gen. of Indian Affairs.

ROBERT SINCLAIR,  
Accountant, Indian Affairs.

DEPARTMENT OF THE INTERIOR,  
INDIAN BRANCH, OTTAWA, 30th June, 1878.

RETURN B.—Continued.

DR. OJIBWEAS OF MISSISSAGUA RIVER in Account Current with the Indian Office, Department of the Interior. CR.

	Capital.	Interest.	Capital.	Interest.
	\$ cts.	\$ cts.	\$ cts.	\$ cts.
—				
To the following payments:—				
Percentage on collections carried to credit of Management Fund.....	28 41	104 14	1,490 43	18 70
Distribution of interest moneys.....		18 86	284 13	28 86
Balance 30th June, 1878.....	1,746 15			75 44
	1,774 56	123 00	1,774 56	123 00
			1,716 15	18 86
By Balance, 30th June, 1877.....				
Rents collected.....				
Timber dues.....				
Interest on invested capital.....				
By Balance, 30th June, 1878.....				

L. VANKOUGHNET,  
Deputy Supt.-Gen. of Indian Affairs.

ROBERT SINCLAIR,  
Accountant, Indian Affairs.  
DEPARTMENT OF THE INTERIOR,  
INDIAN BRANCH, OTTAWA, 30th June, 1878.



RETURN B.—Continued.

DR. ONEIDAS OF THAMES, in Account Current with the Indian Office, Department of the Interior. CR.

	Capital.	Interest.	Capital.	Interest.
	\$ cts.	\$ cts.	\$ cts.	\$ cts.
—			—	
To Distribution of interest moneys .....		29 05	487 04	10 39
Balance, 30th June, 1878.....	487 04	6 22	.....	24 88
	\$ 487 04	35 27	487 04	35 27
			487 04	6 22
			By Balance, 30th June, 1878.....	
			Interest on invested capital .....	
			.....	
			By Balance, 30th June, 1878.....	

L. VANKOUGHNET,  
Deputy Supt.-Gen. of Indian Affairs.

ROBERT SINCLAIR,  
Accountant, Indian Affairs.

DEPARTMENT OF THE INTERIOR,  
INDIAN BRANCH, OTTAWA, 30th June, 1878.

RETURN B.—Continued.

DR. PARRY ISLAND INDIANS in Account Current with the Indian Office, Department of the Interior. CR.

	Capital.	Interest.		Capital.	Interest.
	\$ cts.	\$ cts.		\$ cts.	\$ cts.
To Distribution of interest moneys.....	30,747 95	1,547 66	By Balance, 30th June, 1877.....	30,747 95	280 36
Balance, 30th June, 1878 .....	30,747 95	389 10	Interest on invested capital .....		1,556 40
				30,747 95	1,936 76
			By Balance, 30th June, 1878.....	30,747 95	389 10

L. VANKOUGHNET,  
Deputy Supt.-Gen. of Indian Affairs.

ROBERT SINCLAIR,  
Accountant, Indian Affairs.

DEPARTMENT OF THE INTERIOR,  
INDIAN BRANCH, OTTAWA, 30th June, 1878.

RETURN B.—Continued.  
 DR. POTTAWATTAMES OF WALPOLE ISLAND in Account Current with the Indian Office, Department of Interior. Cr.

	Capital.	Interest.	Capital.	Interest.
	\$ cts.	\$ cts.	\$ cts.	\$ cts.
—				
To Distribution of interest money.....		197 96		49 58
Balance, 30th June, 1878.....	3,907 09	49 46	3,907 09	187 84
	3,907 09	247 42	3,907 09	247 42
			3,907 09	49 46
By Balance, 30th June, 1877.....				
Interest on invested capital.....				
By Balance, 30th June, 1878 .....				

L. VANKOUGHNET,  
 Deputy Supt.-Gen. of Indian Affairs.

ROBERT SINCLAIR,  
 Accountant, Indian Affairs.

DEPARTMENT OF THE INTERIOR,  
 INDIAN BRANCH, OTTAWA, 30th June, 1878.



RETURN B.—Continued.

DR. SHAWANAGA BAND, LAKE HURON, in Account Current with the Indian Office, Department of the Interior. Cr.

	Capital.	Interest.	Capital.	Interest.
	\$ cts.	\$ cts.	\$ cts.	\$ cts.
—				
To the following payments:—				
Distribution of interest money. ....		86 79		21 78
Balance 30th June, 1878. ....	1,712 00	29 67		86 68
	1,712 00			8 00
		116 46		116 46
				29 67
			1,712 00	29 67

ROBERT SINCLAIR,  
Accountant, Indian Branch.

L. VANKOUGHNET,  
Deputy Supt.-Gen. of Indian Affairs.

DEPARTMENT OF THE INTERIOR,  
INDIAN BRANCH, OTTAWA, 30th June, 1878.

RETURN B.—Continued.

DR. SPANISH RIVER INDIANS in Account Current with the Indian Office, Department of the Interior. CR.

	Capital.	Interest.		Capital.	Interest.
	\$ cts.	\$ cts.		\$ cts.	\$ cts.
To the following payments:—					
Distribution of interest moneys.....		119 14	By Balance, 30th June, 1877.....	2,832 15	12 46
Balance, 30th June, 1878 .....	2,832 15	35 56	Interest on invested capital.....	.....	142 24
	2,832 15	154 70		2,832 15	154 70
			By Balance, 30th June, 1878.....	2,832 15	35 56

L. VANKOUGHNET,  
Deputy Supt.-Gen. of Indian Affairs.

ROBERT SINCLAIR,  
Accountant, Indian Affairs.

DEPARTMENT OF THE INTERIOR,  
INDIAN BRANCH, OTTAWA, 30th June, 1878.



Medical and other expenses connected with Z. Burning, an invalid.....	68 00		
Expenses of Deputations.....	45 10		
do Land committee.....	3 00		
do Road do.....	141 75		
do Wood do.....	15 00		
Fire loss.....	986 00		
Expenses in connection with patients attending Eye Infirmary, Toronto.....	184 03		
Cost of inspection of improvements.....	20 30		
Amount paid for improvements on land.....	275 00		
Improvements to Council House.....	170 00		
Cost of culvert.....	13 00		
Celebration of Queen's Birthday.....	139 68		
Legal expenses.....	203 33		
British American Insurance Co., insurance on Council House.....	12 50		
Prize ploughs.....	108 00		
Sundry petty expenses.....	31 58		
Payment on account indebtedness of Band to Merchants and others.....			
Less—Paid in 1876-77 as per Blue Book, page 56.....	13,600 00		
	26,773 78		
Add—Given to Indians who were not in debt.....	8,149 36		
Expenses in connection with auditing of the claims paid by the above.....	34,923 14		
Refund on account of land sales.....	707 59		
Percentage on collections carried to credit of Management Fund.....	121 48		
Distribution of interest moneys.....	507 02		
Balance, 30th June, 1878.....	819,854 38		
	856,113 61		
		57,115 12	
		819,854 38	
			57,115 12
			9,898 95
			By Balance, 30th June, 1878.....

L. VANKOUGHNET,  
Deputy Supt. Gen. of Indian Affairs.

ROBERT SINCLAIR,  
Accountant, Indian Affairs.  
DEPARTMENT OF THE INTERIOR,  
INDIAN BRANCH, OTTAWA, 30th June, 1878.





RETURN B.—Continued.

DR. TOOTOOMENAI AND HIS BAND in Account Current with the Indian Office, Department of the Interior. CR.

	Capital.	Interest.	Capital.	Interest.
	\$ cts.	\$ cts.	\$ cts.	\$ cts.
To Distribution of interest moneys .. .. .	900 00	54 69	900 00	13 68
Balance, 30th June, 1878 .. .. .	900 00	13 67	900 00	54 68
	900 00	68 36	900 00	68 36
			900 00	13 67

L. VANKOUGHNET,  
Deputy Supt.-Gen. of Indian Affairs.

ROBERT SINCLAIR,  
Accountant, Indian Affairs.

DEPARTMENT OF THE INTERIOR,  
INDIAN BRANCH, OTTAWA, 30th June, 1878.

RETURN B.—Continued.

DR. WHITEFISH RIVER INDIANS in Account Current with the Indian Office, Department of the Interior. Cr.

	Capital.	Interest.	Capital.	Interest.
	\$ cts.	\$ cts.	\$ cts.	\$ cts.
To Distribution of interest moneys. ....		28 36		17 08
Balance, 30th June, 1878.....	284 06	3 76	284 06	15 04
	284 06	32 12	284 06	32 12
			284 06	3 76

L. VANKOUGHNET,  
Deputy Supt. Gen. of Indian Affairs.

ROBERT SINCLAIR,  
Accountant, Indian Affairs.

DEPARTMENT OF THE INTERIOR,  
INDIAN BRANCH, OTTAWA, 30th June, 1878.

*RETURN B.—Continued.*

DR. WYANDOTTS OF ANDERDON in Account Current with the Indian Office, Department of the Interior. Cr.

	Capital.	Interest.		Capital.	Interest.
	\$	cts.		\$	cts.
To the following payments:—			By Balance, 30th June, 1877.....	62,865 01	679 74
W. Lambert, Physician, salary.....		80 00	Land sales.....	2,975 95	
Marceline Currier, Teacher, salary.....		250 00	Interest on invested capital.....		3,334 90
J. S. Laird, P. L. S., Survey of lands in Anderdon.....	767 00				
Percentage on collections carried to credit of Management Fund.....	297 60				
Distribution of interest moneys.....		2,932 74			
Balance on 30th June, 1878.....	64,776 36	751 00	By Balance, 30th June, 1878.....	65,840 96	4,013 74
	65,840 96	4,013 74		64,776 36	751 00

ROBERT SINCLAIR,  
*Accountant, Indian Affairs.*

L. VANKOUGHNET,  
*Deputy Supt.-Gen. of Indian Affairs.*

DEPARTMENT OF THE INTERIOR,  
INDIAN BRANCH, OTTAWA, 30th June, 1878.

**RETURN B.—Continued.**

**DR.** ABENAKIS OF ST. FRANCIS in Account Current with the Indian Branch, Department of the Interior. **Cr.**

	Capital.	Interest.	—	Capital.	Interest.
	\$ cts.	\$ cts.		\$ cts.	\$ cts.
To the following payments:—					
Simon Anname, pension .....		20 00		889 13	22 66
J. B. Brousseau, professional services, re Turotte vs. Hannep. ....		20 00			48 64
Commutation to representatives of late Ignace Gill. ....	369 13	17 50			
Balance, 30th June, 1878 .....	889 13	13 80		889 13	71 30
				889 13	13 80
			By Balance, 30th June, 1877.....		
			Interest on invested capital.....		
			By Balance, 30th June, 1878.....		

L. VANKOUGHNET,  
*Deputy Supt.-Gen. of Indian Affairs.*

ROBERT SINCLAIR,  
*Accountant, Indian Affairs.*

DEPARTMENT OF THE INTERIOR,  
INDIAN BRANCH, OTTAWA, 30th June, 1878.

RETURN B.—Continued.

DR. AMELICITES OF ISLE VERTE AND VIGER in Account Current with the Indian Office, Department of the Interior. Cr.

	Capital.	Interest.	Capital.	Interest.
	\$ cts.	\$ cts.	\$ cts.	\$ cts.
To The following payments:—				
H. Houdon, M.D., medical attendance to Chief		26 00		26 62
Jean Athanasa .....		50 87	1,313 64	67 00
Distribution of interest money.....		16 75		
Balance, 30th June, 1878.....	1,313 64			
	1,313 64	93 62	1,313 64	93 62
			1,313 64	16 75
By Balance, 30th June, 1878.....				

L. VANKOUGHNET,  
Deputy Supt.-Gen. of Indian Affairs.

ROBERT SINCLAIR,  
Accountant, Indian Affairs.

DEPARTMENT OF THE INTERIOR,  
INDIAN BRANCH, OTTAWA, 30th June, 1878.

RETURN B.—Continued.  
 DR. GOLDEN LAKE INDIANS in Account Current with the Indian Office, Department of the Interior. Cr.

	Capital.	Interest.	Capital.	Interest.
	\$ cts.	\$ cts.	\$ cts.	\$ cts.
To Balance, 30th June, 1878.....	133 43	39 50	By Balance, 30th June, 1877.....	133 43
			Interest on invested capital .....	8 24
	133 43	39 50	By Balance, 30th June, 1878.....	133 43
				39 50
				39 50

ROBERT SINCLAIR,  
 Accountant, Indian Affairs.

I. VANKOUGHNET,  
 Deputy Supt.-Gen. of Indian Affairs.

DEPARTMENT OF THE INTERIOR,  
 INDIAN BRANCH, OTTAWA, 30th June, 1878.

*RETURN B.—Continued.*

DR. HURONS OF LORETTE in Account Current with the Indian Office, Department of the Interior.

Cr.

	Capital.	ere.	Capital.	Interest.
	\$ cts.	\$ cts.	\$ cts.	\$ cts.
—				
To the following payments:—				
Percentage on collections carried to credit of Management Fund .....		2 18	360 71	15 33
Distribution of interest moneys .....		53 85		36 00
Balance, 30th June, 1878 .....	360 71	14 10		18 80
	360 71	70 13		70 13
			360 71	14 10
By Balance, 30th June, 1878 .....				

L. VANKOUGHNET,  
*Deputy Supt.-Gen. of Indian Affairs.*

ROBERT SINCLAIR,  
*Accountant, Indian Affairs.*

DEPARTMENT OF THE INTERIOR,  
INDIAN BRANCH, OTTAWA, 30th June, 1878.



RETURN B.—Continued.

DR. IROQUOIS OF CAUGHNAWAGA in Account Current with the Indian Office, Department of the Interior. Cr.

	Capital.	Interest.		Capital.	Interest.
	\$ cts.	\$ cts.		\$ cts.	\$ cts.
To the following payments:—			By Balance, 30th June, 1877	4,801 22	127 64
Sundry persons for measuring stone	788 97		Dues collected on stone quarried	5,867 44	
Ref. N. V. Burin, commutation, 1876-77, in lieu of supplies		227 33	License fee	4 00	
G. E. Cherrier's contingent expenses		70 93	Rents collected and fines		1,248 28
Repairs to roads and water courses		137 82	Interest on invested capital		266 84
Legal expenses		478 60			
Gate keepers' salaries		21 00			
Wood for school		32 00			
Chief Louise Shatchkannton, organist		37 50			
Provisions		14 36			
Repairs to gate keeper's house		6 25			
Vaccinating Indians		96 00			
Supplies to Chief Temahate		12 00			
Percentage on collections carried to credit of Management Fund	586 74	49 16			
Balance, 30th June, 1878	9,296 95	449 81			
	10,672 66	1,632 76	By Balance, 30th June, 1878	10,672 66	1,632 76
				9,296 95	449 81

L. VANKOUGHNET,  
Deputy Supt.-Gen. of Indian Affairs.

ROBERT SINCLAIR,  
Accountant, Indian Affairs.

DEPARTMENT OF THE INTERIOR,  
INDIAN BRANCH, OTTAWA, 30th June, 1878.

RETURN B.—Continued.

DR. IROQUOIS OF ST. REGIS in Account Current with the Indian Office, Department of the Interior. Cr.

	Capital.	Interest.	Capital.	Interest.
	\$ cts.	\$ cts.	\$ cts.	\$ cts.
To the following payments:—				
L. Solomon, Chief, pension.....	.....	10 00	.....	.....
Jos. Oak, services as Interpreter.....	.....	8 00	.....	.....
Rev. F. Marcoux, allowance for 1878.....	.....	153 00	.....	.....
For services in prosecuting liquor sellers.....	.....	22 95	.....	.....
Clerk's salary for 1878.....	.....	10 00	.....	.....
Chief's allowance for 1877.....	.....	60 00	.....	.....
Expenses of deputation of Indians to Ottawa.....	.....	12 80	.....	.....
Wood for school.....	.....	18 55	.....	.....
Sundry expenses.....	.....	34 50	.....	.....
Distribution of interest money.....	.....	2,992 73	.....	.....
Percentage on collections carried to credit, of Management Fund.....	.....	80 19	.....	.....
Balance, 30th June, 1878.....	29,882 74	313 24	.....	.....
	29,882 74	3,705 96	.....	.....
			By Balance, 30th June, 1878.....	.....
				313 24
				3,705 96
				29,882 74

L. VANKOUGHNET,  
Deputy Supt.-Gen. of Indian Affairs.

ROBERT SINCLAIR,  
Accountant, Indian Affairs.

DEPARTMENT OF THE INTERIOR  
INDIAN BRANCH, OTTAWA, 30th June, 1878.

RETURN. B.—Continued.

DR. LAKE ST. JOHN INDIANS in Account Current with the Indian Office, Department of the Interior. Cr.

	Capital.	Interest.	—	Capital.	Interest.
	\$ cts.	\$ cts.		\$ cts.	\$ cts.
To Distribution of interest money .....		67 22			
Percentage on collections carried to credit of Management Fund .....	29 08				
Balance, 30th June, 1878 .....	1,551 61	16 35			
	1,580 69	83 57		1,580 69	83 57
			By Balance, 30th June, 1878.....	1,551 61	16 35

L. VANKOUGHNET,  
Deputy Supt-Gen. of Indian Affairs.

ROBERT SINCLAIR,  
Accountant, Indian Affairs.

DEPARTMENT OF THE INTERIOR,  
INDIAN BRANCH, OTTAWA, 30th June, 1878.

RETURN B.—Continued.

DR. LAKE OF TWO MOUNTAINS INDIANS in Account Current with the Indian Office, Department of the Interior. CR.

	Capital.	Interest.	Capital.	Interest.
	\$ cts.	\$ cts.	\$ cts.	\$ cts.
To Distribution of interest moneys.....	.....	56 71	By Balance, 30th June, 1877.....	14 10
Balance, 30th June, 1878. ....	1,026 18	13 87	Interest on invested capital.....	55 48
	1,026 18	69 58	By Balance, 30th June, 1878.....	69 58
				13 87

L. VANKOUGHNET,  
Deputy Supt.-Gen. of Indian Affairs.

ROBERT SINCLAIR,  
Accountant, Indian Affairs.

DEPARTMENT OF THE INTERIOR,  
INDIAN BRANCH, OTTAWA, 30th June, 1878.

**RETURN B.—Continued.**  
**NIPISSINGUES, ALGONQUINS AND OUTAOUAIS OF UPPER OTTAWA in Account Current with the Indian Office,**  
 Department of the Interior.

Dr.

Cr.

	Capital.	Interest.	Capital.	Interest.
	\$ cts.	\$ cts.	\$ cts.	\$ cts.
—			—	
To Percentage on collections carried to credit of Management Fund.....	161 05		896 55	448 78
Balance, 30th June, 1878 .....	2,345 96	516 06	1,610 46	67 28
	2,607 01	516 06	2,607 01	516 06
			2,345 96	516 06

To Percentage on collections carried to credit of Management Fund.....

Balance, 30th June, 1878 .....

By Balance, 30th June, 1877.....

Timber dues .....

Interest on invested capital.....

By Balance, 30th June, 1878 .....

ROBERT SINCLAIR,  
*Accountant, Indian Affairs.*

L. VANKOUGHNET,  
*Deputy Supt.-Gen. of Indian Affairs.*

DEPARTMENT OF THE INTERIOR,  
 INDIAN BRANCH, OTTAWA, 30th June, 1878.

RETURN B.—Continued.

DR. RIVER DESERT INDIANS in Account Current with the Indian Office Department of the Interior. Cr.

	Capital.	Interest.		Capital.	Interest.
	\$ cts.	\$ cts.		\$ cts.	\$ cts.
To the following payments:—					
Simon Otjik, Chief, salary		31 25	By Balance, 30th June, 1878.....	25,323 32	421 39
Peter Tettesse, do		6 25	Rents collected.....	1,655 39	128 25
do do for rents.....		102 00	Timber dues.....		
Jno A. Snow, P.L.S., survey on Maniwaki Reserve.....	157 75		Hall & Co. part payment of P.L.S. Snow's account for survey of Maniwaki Reserve.....	22 75	
Expenditure in excess of grant of \$987 03 by Saperiorial Tenure Commission for Maniwaki Roads.....			Interest on invested capital.....		1,318 60
Provisions for Anthony Wazaskwets.....		11 00			
Distribution of interest moneys.....		3 05			
Percentage on collections carried to credit of Management Fund.....	165 54	1,328 55			
Balance, 30th June, 1878.....	26,678 17	7 90			
	27,001 46	378 24	By Balance, 30th June, 1878.....	27,001 46	1,868 24
		1,868 24		26,678 17	378 24

ROBERT SINCLAIR,  
Accountant, Indian Affairs.

L. VANKOUGHNET,  
Deputy Supt.-Gen. of Indian Affairs.

DEPARTMENT OF THE INTERIOR,  
INDIAN BRANCH, OTTAWA, 30th June 1878.

RETURN B.-Continued.

DR. INDIANS OF BRITISH COLUMBIA in Account Current with the Indian Office, Department of the Interior. CR.

	Capital.	Interest.	Capital.	Interest.
	\$ cts.	\$ cts.	\$ cts.	\$ cts.
To Balance, 30th June, 1878 .....	165 00	4,047 59	165 00	3,771 01
By Balance, 30th June, 1877 .....				276 58
Rents collected .....				
Interest on invested capital .....				
	165 00	4,047 59	165 00	4,047 59
By Balance, 30th June, 1878 .....			165 00	4,047 59

L. VANKOUGHNET,  
Deputy Supt.-Gen. of Indian Affairs.

ROBERT SINCLAIR,  
Accountant, Indian Affairs.

DEPARTMENT OF THE INTERIOR,  
INDIAN BRANCH, OTTAWA, 30th June, 1878.

RETURN B.—Continued.

INDIANS OF MANITOBA AND NORTH-WEST TERRITORIES in Account Current with the Indian Office, Department of the Interior.

Dr.

Cr.

	Capital.	Interest.		Capital.	Interest.
	\$ cts.	\$ cts.		\$ cts.	\$ cts.
—			—		
To Balance, 30th June, 1878.....	52 75	3 79	By Balance, 30th June, 1877.....	15 75	
			Timber sales .....	39 00	
			Interest on invested capital.....		3 79
	52 75	3 79		52 75	3 79
			By Balance, 30th June, 1878.....	52 75	3 79

ROBERT SINCLAIR,  
Accountant, Indian Affairs.

DEPARTMENT OF THE INTERIOR,  
INDIAN BRANCH, OTTAWA, 30th June, 1878.

L. VANKOUGHNET,  
Deputy Supt.-Gen. of Indian Affairs.



RETURN B.—Continued.

INDIANS OF NOVA SCOTIA in Account Current with the Indian Branch, Department of the Interior. Cr.

Dr.

	Capital.	Interest.	Capital.	Interest.
	\$ cts.	\$ cts.	\$ cts.	\$ cts.
—				
To Balance, 30th June, 1877. ....	1,072 04	386 65	100 00	300 00
			972 04	86 65
			1,072 04	386 65
			1,072 04	386 65

By Balance, 30th June, 1877. ....

Rents collected. ....

Land and timber sales. ....

Interest on invested capital. ....

By Balance, 30th June, 1878. ....

ROBERT SINCLAIR,  
Accountant, Indian Affairs.

L. VANKOUGHNET,  
Deputy Supt.-Gen. of Indian Affairs.

DEPARTMENT OF THE INTERIOR,  
INDIAN BRANCH, OTTAWA, 30th June, 1878.

*RETURN B.—Continued.*

DR. INDIANS OF NEW BRUNSWICK in Account Current with the Indian Office, Department of the Interior. Cr.

Dr.	C	al.	Interest.	Capital.	Interest.
	\$	cts.	\$	\$	\$
—					
To percentage on collections carried to credit of Management Fund .....	10	80			
Balance, 30th June, 1878.....	1,197	28	44	08	24
	1,208	08	44	08	24
				1,197	28
					44
					24

I. VANKOUGHNET,  
*Deputy Supt.-Gen. of Indian Affairs.*

ROBERT SINCLAIR,  
*Accountant, Indian Affairs.*

DEPARTMENT OF THE INTERIOR,  
INDIAN BRANCH, OTTAWA, 30th June, 1878.

RETURN B.—Continued.

DR. TOBIQUE (NEW BRUNSWICK) INDIANS in Account Current with the Indian Office, Department of the Interior. CR.

	Capital.	Interest.	Capital.	Interest.
	\$ cts.	\$ cts.	\$ cts.	\$ cts.
—				
To the following payments:—				
Distribution of interest moneys.....		55 57		13 90
Balance, 30th June, 1878.....	1,097 41	13 89	1,097 41	55 56
	1,097 41	69 46	1,097 41	69 46
			1,097 41	13 89
By Balance, 30th June, 1877.....				
Interest on invested capital.....				
By Balance, 30th June, 1878.....				

L. VANKOUGHNET,  
Deputy Supt.-Gen. of Indian Affairs.

ROBERT SINCLAIR,  
Accountant, Indian Affairs.

DEPARTMENT OF THE INTERIOR,  
INDIAN BRANCH, OTTAWA, 30th June, 1878.

RETURN B.—Continued.

DR. J. B. CLENCH in Account Current with the Indian Office, Department of the Interior. CR.

	Capital.	Interest.	Capital.	Interest.
To Balance, 30th June, 1878.....	\$ cts. 725 06	\$ cts. 209 98	\$ cts. 725 06	\$ cts. 165 46
.....			.....	44 52
	725 06	209 98	725 06	209 98
			725 06	209 98

L. VANKOUGHNET,  
Deputy Supt.-Gen. of Indian Affairs.

ROBERT SINCLAIR,  
Accountant, Indian Affairs.

DEPARTMENT OF THE INTERIOR,  
INDIAN BRANCH, OTTAWA, 30th June, 1878.

RETURN B.—Continued.

DR. NANCY MAVILLE in Account Current with the Indian Office, Department of the Interior. Cr.

	Capital.	Interest.		Capital.	Interest.
	\$	cts.		\$	cts.
To Twelve months' interest, at 5 per cent, on \$2,531 64 .....		126 59	By Balance, 30th June, 1877 .....	2,500 00	31 64
Balance, 30th June, 1878 .....	2,500 00	31 65	Interest on invested capital .....		126 60
	2,500 00	158 24	By Balance, 30th June, 1878 .....	2,500 00	158 24
				2,500 00	31 65

L. VANKOUGHNET,  
Deputy Supt.-Gen. of Indian Affairs.

ROBERT SINCLAIR,  
Accountant, Indian Affairs.

DEPARTMENT OF THE INTERIOR,  
INDIAN BRANCH, OTTAWA, 30th June, 1878.

RETURN B.—Continued.

CR.

JAMES MANAGE in Account Current with the Indian Office, Department of the Interior.

DR.

	Capital.	Interest.	Capital.	Interest.
	\$ cts.	\$ cts.	\$ cts.	\$ cts.
To Twelve months' interest, at 5 per cent, on \$1,518.99 .....		75 96	1,500 00	18 99
Balance, 30th June, 1878 .....	1,500 00	18 99	.....	75 96
	1,500 00	94 95	1,500 00	94 95
			1,500 00	18 99

L. VANKOUGHNET,  
Deputy Supt.-Gen. of Indian Affairs.

ROBERT SINCLAIR,  
Accountant, Indian Affairs.

DEPARTMENT OF THE INTERIOR,  
INDIAN BRANCH, OTTAWA, 30th June, 1878.

RETURN B.—Continued.

DR. WM. WABBUCK in Account Current with the Indian Office, Department of the Interior. CR

	Capital.	Interest.		Capital.	Interest.
	\$ cts.	\$ cts.	—	\$ cts.	\$ cts.
To Twelve months interest, at 5 per cent., on \$2,025.32.....		50 64			25 32
Distribution of interest moneys .....		50 64			101 28
Balance, 30th June, 1878.....	2,000 00	25 32	By Balance, 30th June, 1877.....	2,000 00	
	2,000 00	126 60	Interest on invested capital.....		
				2,000 00	126 60
			By Balance, 30th June, 1878.....	2,000 00	25 32

ROBERT SINCLAIR,  
Accountant, Indian Affairs.

L. VANKOUGHNET,  
Deputy Supt.-Gen. of Indian Affairs.

DEPARTMENT OF THE INTERIOR,  
INDIAN BRANCH, OTTAWA, 30th June, 1878.

*RETURN B.—Continued.*

Dr. **MANIWAKI ROAD FUND** in Account Current with the Indian Branch, Department of the Interior. Cr.

	Capital.	Interest	Capital.	Interest.
	\$ cts.	\$ cts.	\$ cts.	\$ cts.
—			—	
To Balance, 30th June, 1878. ....	329 02	.....	By Balance, 30th June, 1877.....	329 02
	329 02	.....	By Balance, 30th June, 1878.....	329 02

L. VANKOUGHNET,  
*Deputy Supt.-Gen. of Indian Affairs.*

ROBERT SINCLAIR,  
*Accountant, Indian Affairs.*

DEPARTMENT OF THE INTERIOR,  
INDIAN BRANCH, OTTAWA, 30th June, 1878.



RETURN B.—Continued.

DR. PROVINCE OF QUEBEC INDIAN FUND in Account Current with the Indian Office, Department of the Interior. Cr.

	Capital.	Interest.		Capital.	Interest.
	\$ cts.	\$ cts.		\$ cts.	\$ cts.
To the following payments :—					
<i>Salaries.</i>					
T. S. Sheridan, Physician .....		73 35	By Balance, 30th June, 1877.....	49,965 72	278 86
H. J. Martin, do .....		100 00	Legislative Grant for purchase of seed and for relief ... ..		2,200 00
L. E. Otis, Agent.....		200 00	Transfer to the debit of Indian School Fund of amount erroneously charged to this account, being grant to Roman Catholic Missionaries of Bestamitz and North Shore of the St. Lawrence.....		250 00
<i>Grants for the Purchase of Seed Grain and for Relief.</i>			Interest on invested capital.....		2,589 04
Constant Penney.....		60 00			
Paul de la Rond .....		30 00			
Samuel Sook, Interpreter.....		25 00			
Widow of late Chief Vincent.....		50 00			
Amalictes of Rimouski.....		100 00			
do Point Lévis.....		100 00			
do Cacouns.....		100 00			
Abenakis of Becancour .....		350 00			
do St. Francis .....		350 00			
Montagnais of the Upper Saguenay and Lake St. John.....		400 00			
Montagnais of Bersimts .....		500 00			
Micmacs of Gaspé Basin.....		200 00			
do Restigouche .....		400 00			
do Maria.....		225 00			
Iroquois of Caughnawaga .....		200 00			
Lake of Two Mountains Indians.....		200 00			
Moisie, Mingan and Seven Islands Indians .....		511 15			
Indians of Weymontasingue .....		340 89			
Lake Temiscamingue Indians .....		150 00			
Godbout Indians .....		75 00			
Hurons of Lorette.....		75 00			
Niver Desert Indians.....		250 00			

Golden Lake Indians.....		100 00	
Lorette School Building.....		200 00	
<i>Miscellaneous Expenses.</i>			
L. E. Otis, amount due him on relief expenditure To complete schoolhouse on Cornwall Island.....		14 46	
Supplies furnished Fustache Hackett.....		100 00	
Sheriffs' fees in expulsion of LaRouche and family from Lake St. John Reserve.....		10 00	
Two-thirds of grant towards building barn at Beaneour.....		27 25	
Medicines and medical attendance on Lake St. John Indians.....		66 66	
Vaccinating 160 Indians at Oka.....		57 00	
do Indians of Lake of Two Mountains.....		40 00	
To Balance, 30th June, 1878.....	49,965 72	25 25	378 11
To Balance, 30th June, 1878 .....	49,965 72	5,706 01	5,706 01
To Balance, 30th June, 1878 .....	49,965 72	378 11	.....

L. VANKOUGHNET,  
Deputy Supt.-Gen. of Indian Affairs.

ROBERT SINCLAIR,  
Accountant, Indian Affairs.  
DEPARTMENT OF THE INTERIOR,  
INDIAN BRANCH, OTTAWA, 30th June, 1878.

RETURN B.—Continued

DR. INDIAN LAND MANAGEMENT FUND in Account Current with the Indian Office, Department of the Interior. CR.

	Ca i al.	Inte est.	Capital.	Interest.
	\$ cts.	\$ cts.	cts.	\$ cts.
To the following payments:—				
<i>Salaries.</i>				
Wm. Plummer, Superintendent, Toronto .....		1,372 00		14,492 15
Robt. McKenzie do Sarnia.....		755 00	114,865 57	1,600 00
J. T. Gilkison do Brantford.....		1,577 76	.....	201 40
Chas. Skene do Parry Sound.....		882 00	.....	.....
J. C. Phipps, Agent, Manitowaning.....		1,176 00	.....	.....
Wm. Van Abbott, Agent, Sault Ste. Marie (super- seded J. E. Pinsoneault).....		493 76	.....	7,370 06
G. E. Cherrier, do Caughnawaga (super- seded J. E. Pinsoneault).....		413 36	.....	7,359 05
A. B. Cowan, Agent, Gananoque .....		246 88	.....	.....
Mathew Hill do Shannonville.....		345 64	.....	.....
Thos Gordon do Longwood, vice Mr. Living- stone, deceased.....		395 00	.....	.....
Amos Wright, Agent, Prince Arthur's Landing..		882 00	.....	.....
John McGirr do Oka .....		450 00	.....	.....
A. Lebel do Riviere-du-Loup.....		337 00	.....	.....
Dr. Orouhyatekha, Physician to Oneidas of Thames		375 00	.....	.....
W. S. Francis do Manitowaning.....		1,000 00	.....	.....
Dr. Saunders do Mohawks of Bay supersedes Dr. Newton.....		50 00	.....	.....
Dr. John Newton, Physician to Mohawks of Bay...		250 00	.....	.....
John Wallace, Guardian, having supervision of certain Islands in the St. Lawrence.....		18 75	.....	.....
A. Root, Guardian, having supervision of certain Islands in the St. Lawrence.....		25 00	.....	.....
J. L. Thompson, Guardian, having supervision of certain Islands in the St. Lawrence.....		25 00	.....	.....
R. G. Dalton, Clerk, Toronto.....		783 96	.....	.....
H. Andrews do Brantford.....		882 00	.....	.....
C. O. Strange, Extra Clerk, Toronto.....		550 00	.....	.....
Z. A. Leash, Solicitor of Indian Affairs.....		392 00	.....	.....
McGregor Ironside, Interpreter, Manitowaning.....		705 80	.....	.....

By Balance, 30th June, 1877.....  
 Legislative appropriation for 1877-78.....  
 Fines and fees collected.....  
 Percentage charged against various Tribes for  
 the collection of rents and payments on land,  
 stone and timber, sold for the benefit of the  
 Bands interested.....  
 Interest accrued on invested capital.....

<i>Superannuations.</i>		880 00	300 00
W. R. Bartlett, Toronto.....			
F. Talfourd, Sarfha.....			
<i>Contingent Expenses incurred at various Superintendencies and Agencies.</i>			
Wm. Plummer, office rent, fuel, light, furniture, postage, telegrams, &c.....		399 57	
Wm. Plummer, travelling expenses.....		200 00	
J. T. Gilkison, House and office rent, &c.....		240 00	
do Travelling expenses.....		100 00	
Wm. Van Abbott, Office rent.....		38 50	
do Contingencies.....		226 60	
do Percentage on collections.....		143 22	
do Travelling expenses.....		40 00	
A. B. Cowan, travelling expenses, &c.....		100 00	
Chas. Skene, keeping boats in repair, travelling expenses, rent, &c.....		302 23	
Chas. Skene, percentage on collections.....		60 30	
Chas. Wright, fuel, light, &c.....		25 00	
J. C. Phipps, Travelling expenses.....		100 00	
do Contingencies.....		66 06	
do Percentage on collections.....		351 98	
do License Fees.....		47 00	
John Davidson, percentage on collections and disbursements.....		208 57	
Patrick Moore, Percentage on disbursements.....		146 16	
do Contingencies.....		46 55	
T. G. Fife, Agent (vice F. McAnnam, deceased) percentage on collections.....		62 05	
do Contingencies.....		3 40	
G. E. Cherrier, Contingencies.....		114 19	
do Rent.....		30 00	
Thos. Gordon, Contingencies.....		12 00	
do Percentage on collections.....		10 45	
B. B. Miller, Contingencies.....		31 34	
do Travelling expenses.....		72 80	
John McGirr do.....		10 50	
John F. Day, Postage.....		1 67	
Carried forward.....		18,833 85	
Carried forward.....		114,865 57	
Carried forward.....		31,022 66	

RETURN B.—Continued.  
 DR. INDIAN LAND MANAGEMENT FUND in Account Current with the Indian Office, &c.—Continued. Cr.

	Capital.	Interest.		Capital.	Interest.
	\$ cts.	\$ cts.		cts.	\$ cts.
Brought forward.....		18,833 85	Brought forward.....	114,865 57	31,022 66
<i>Surveys, Inspection and Valuation of Lands, cost of Maps, &amp;c.</i>					
S. J. Plunkett, making copy of plan of Garden River Reserve.....		8 00			
Thos. Gordon for abstract of lots in South Carradoc		4 67			
C. G. A. Ducet, P.L.S., survey of Township of Whitworth.....		18 20			
Registrar, County of Haldimand, abstracts of lots in North and South Cayuga.....		1 65			
O. Robinson, P.L.S., survey of boundary roads of Tuscarora and Oneida.....		61 37			
J. W. Askin, abstract re Pajot Estate, Town of Sarawack.....		23 40			
David Brown, inspecting stone quarries at Caughnawaga.....		10 00			
Joseph Lesage, services as Forest Bailiff at Garden River.....		24 62			
Wm. McMillen, P. L.S., survey of boundary between Southwall and Delaware.....		77 51			
For exemplification of patent for lot in Brantford.....		8 00			
E. DeBoucherville, maps.....		5 00			
<i>Advertising—sale of Indian Lands, &amp;c.</i>					
Port Hope Guide.....		7 20			
Globe Printing and Publishing Co.....		53 90			
Toronto Tribune.....		26 50			
Toronto Grip.....		8 80			

<i>Petrolium Advertiser</i> .....	10 90
<i>Sarnia Canadian</i> .....	5 40
<i>Carleton Sentinel</i> .....	3 75
<i>Fredericton Royal Gazette</i> .....	1 50
<i>Miramichi Advance</i> .....	5 83
<i>Port Elgin Press</i> .....	3 08
<i>Kincardine Reporter</i> .....	3 04
<i>Owen Sound Advertiser</i> .....	3 08
<i>Belleville Daily Ontario</i> ..	11 81
<i>London Advertiser</i> .....	16 32
<i>Miscellaneous Expenditure.</i>	
.....	1 60
.....	20 74
.....	52 40
.....	50 50
.....	1 10
.....	351 15
.....	456 50
.....	159 60
.....	1 00
.....	3 50
.....	5 25
.....	1 39
.....	86 50
.....	21 00
.....	30 00
.....	30 00
.....	14 00
.....	661 64
.....	9 00
.....	33 50
.....	7 50
.....	41 15
.....	11 00
.....	6 25
.....	21,391 75

Carried forward..... 114,865 57

Carried forward .....

..... 31,022 66

RETURN B.—Continued.

DR. INDIAN LAND MANAGEMENT FUND in Account Current with the Indian Office, &c.—Continued. CR.

	Capital.	Interest.	Capital.	Interest.
	\$ cts.	\$ cts.	\$ cts.	\$ cts.
Brought forward.....		21,291 75	114,865 57	31,022 66
<i>Miscellaneous Expenditure—Concluded.</i>				
Furniture purchased for Council House, Caughna-				
waga.....		17 50		
Freight on same.....		0 70		
Stationery and printing of the Outside Service in				
Ontario and Quebec.....		306 06		
Balance, 30th June, 1878.....	114,865 57	9,406 65		
	114,865 57	31,022 66		
			By Balance, 30th June, 1878.....	31,022 66
				9,406 65

L. VANKOUGHNET,  
Deputy Supt.-Gen. of Indian Affairs.

ROBERT SINCLAIR,  
Accountant, Indian Affairs.

DEPARTMENT OF THE INTERIOR,  
INDIAN BRANCH, OTTAWA, 30th June, 1878.

RETURN B.—Continued.

DR. SUSPENSE ACCOUNT in Account Current with the Indian Office, Department of the Interior. CR.

	Capital.	Interest.		Capital.	Interest.
	\$ cts.	\$ cts.		\$ cts.	\$ cts.
To the following payments:—					
L. Vankoughnet, travelling expenses on Indian Affairs.....		74 67	By Balance, 30th June, 1877 .....	6,131 40	2,341 56
John McNab, refund of all moneys due Richard Fuller in matter of Timber Limit.....		1,555 62	Supposed payment of conscience money.....	30 00	
Transfer to the account of Chippewas of Sauguen and of Nawash, of account of Supt. Plummer's Land Return, for June, 1877.....	969 07		Treasurer, Ontario, amount for purpose of building and maintaining Industrial School on Manitoulin Island.....		1,598 45
Thos. Daly, refund of amount paid on account of mining locations on Garden River Reserve .....	562 50	2,733 36	Interest on invested capital.....		423 64
Balance, 30th June, 1878 .....	4,629 83			6,161 40	4,363 65
	6,161 40	4,363 65	By Balance, 30th June, 1878.....	4,629 83	2,733 36

L. VANKOUGHNET,  
Deputy Supt.-Gen. of Indian Affairs.

ROBERT SINCLAIR,  
Accountant, Indian Affairs.

DEPARTMENT OF THE INTERIOR,  
INDIAN BRANCH, OTTAWA, 30th June, 1878.



RETURN B.—Continued.

DR. INDIAN SCHOOL FUND in Account Current with the Indian Office, Department of the Interior. Ca.

Dr.	Capital.	Interest.	Capital.	Interest.	Ca.
	\$ cts.	\$ cts.	\$ cts.	\$ cts.	\$ cts.
To the following payments:—					
<i>Salaries.</i>					
Henrietta Crombie, Teacher, Six Nations.....	.....	37 50			
Susan K. Hill do do .....	.....	50 00			
Elizabeth Hyndman do do .....	.....	25 00			
Elijah Powless do do .....	.....	50 00			
E. B. Howells do do .....	.....	50 00			
Christina John do do .....	.....	50 00			
Augusta Herchimer do do .....	.....	25 00			
Catherine Bennett do do .....	.....	50 00			
Maria Gordon do do .....	.....	50 00			
George Powless do do .....	.....	12 50			
Benjamin Carpenter do do .....	.....	50 00			
Mrs. Louisa Garlow do do .....	.....	12 50			
Jannie Stewart do do .....	.....	37 50			
Amelia Chechcock do do .....	.....	37 50			
George Hill do do .....	.....	25 00			
Henrietta Martin do do .....	.....	12 50			
Frank Mutchmore do do .....	.....	25 00			
Joseph Assinuwe do do .....	.....	75 00			
A. Pelkie do do .....	.....	37 50			
Christine Aumond do do .....	.....	75 00			
Sister Ste. Malaine do do .....	.....	25 00			
Maria D. Ouellet do do .....	.....	150 00			
Louise Couture do do .....	.....	150 00			
Madame Otis do do .....	.....	150 00			
Sister Ste. Mary do do .....	.....	150 00			
Mary Bannon do do .....	.....	200 00			
Sister Ste. Antoine do do .....	.....	100 00			
			By Balance, 30th June, 1877 .....		
			Legislative grant for aid to Schools .....		5,000 00
			Interest on invested capital .....		7,367 64
					142,912 83

E. R. A. Fletcher do Caughnawaga.....	250 00		
Catherine Fletcher do do.....	100 00		
Louis E.oy do St. Francis.....	140 00		
H. L. Meste do do.....	25 00		
Caroline Hatton do Little Current.....	87 50		
Thomas Stackum do Fort William.....	75 00		
Charlotte Karonianoron, Teacher, Cornwall Island.....			
Josephine Martin, Teacher, Fort William Girls' School.....	150 00		
Jas. Ryan, Teacher, Fort William Boys' School.....	62 50		
Jennie Ryan do do.....	187 50		
Fred. Frost do Sheguandah.....	297 50		
Peter Rowe do Garden River.....	212 50		
C. Koltman do do.....	200 00		
Allan Salt do Chippewas of Beauvolet.....	60 00		
Rev. T. Woolsey, Teacher, Chippewas of Rama.....	47 50		
Peter Kilgobene do Wykwemikonging.....	200 00		
Joseph Jenneaux and Assistants, Teachers, Wikwemikong Boys' School.....	225 00		
Lucy Haessly and Assistants, Teachers, Wikwemikong Girls' School.....	300 00		
Joseph Kohnstedt, vice Lucy Haessly.....	75 00		
John Johnston, Teacher, Atchitwaganing.....	100 00		
Mary Proux do do.....	27 22		
Rev. F. Marcoux, Missionary, St. Regis.....	203 32		
Rev. L. Trahan do do.....	235 00		
Rev. F. Boncher do St. Francis.....	232 45		
Rev. E. Roy do do.....	140 00		
Rev. A. Jamieson do Walpole Island.....	400 00		
Rev. H. P. Chase do Munceytown.....	400 00		
<i>Grants.</i>			
Rev. H. P. Chase, for education of one of his children.....	80 00		
Rev. E. F. Wilson, for tuition of pupils at the Shingwank Home.....	1,200 00		
Rev. Drs. Wood and Sutherland, being subscription towards education of pupils.....	1,800 00		
Rev. Drs. Wood and Sutherland, Local Schools.....	750 00		
Carried forward.....	10,175 49		
		142,912 83	12,367 64

RETURN B.—Continued.

DR. INDIAN SCHOOL FUND in Account Current with the Indian Office, Department of the Interior—Continued. Cr.

	Capital.	Interest.	Capital.	Interest.
	\$ cts.	\$ cts.	\$ cts.	\$ cts.
Brought forward .....		10,175 49	*142,912 83	12,367 64
<i>Sundries.</i>				
Books, &c., for St. Regis School .....		21 04		
do Mission Point .....		26 20		
do Maria School .....		6 64		
By Balance, 30th June, 1878 .....	142,912 83	2,138 27		
	142,912 83	12,367 64	142,912 83	12,367 64
			By Balance, 30th June, 1878 .....	2,138 27

L. VANKOUGHNET,  
Deputy Supt.-Gen. of Indian Affairs.

ROBERT SINCLAIR,  
Accountant, Indian Affairs.

DEPARTMENT OF THE INTERIOR,  
INDIAN BRANCH, OTTAWA, 30th June, 1878.

RETURN C. 1.—INDIANS OF NEW BRUNSWICK.

AUTHORITY FOR PAYMENT.	TO WHOM PAID.	SERVICE.	\$	cts.	\$	cts.
Vote 149.....						
		Balance at their credit on 30th June, 1877.....	\$	2,749	92	
		Legislative Appropriation for 1877-'78.....	\$	4,500	00	
		<b>EXPENDITURE.</b>				
		<i>Salaries.</i>				
	Wm. Fisher.....	Salary as Agent at Fredericton, twelve months' to 30th June, 1878.....	400	00		
	C. Sargeant.....	do do Chatham.....	400	00		
	Rev. J. J. O'Leary.....	do do Missionary at Tobique.....	100	00		
	Rev. J. C. McDevitt.....	do do Fredericton.....	200	00		
	Rev. Wm. Morrissey.....	do do Burnt Church.....	100	00		
	Rev. John Carter.....	do do Bel Ground.....	100	00		
	J. S. Benson, M.D. ....	do do Physician at Newcastle.....	30	00		
		Expended by Agents in the purchase of supplies for the relief of destitute Indians, and for seed grain in the following proportions, viz. :—				

INDIANS OF NEW BRUNSWICK.—Concluded.

AUTHORITY FOR PAYMENT.	TO WHOM PAID.	SERVICE.	\$ cts.	\$ cts.	\$ cts.
Vote 149.....		Brought forward.....		4,360 00	7,249 29
		<i>Miscellaneous.</i>			
	Montreal Telegraph Co. Indian Fund.....	Messages from July, 1877, to April, 1878..... A transfer of timber dues collected at various times and credited to this account. Being the absolute property of the Indians of New Brunswick, the amount has now been placed at the credit of their funded capital.	10 20 884 73	894 93	
	Chief John Barnard..... Queen's Printer.....	Expenses while in Ottawa on a visit to the Department on business for the Micmacs and for his railway fare and maintenance on return journey.... Printing done in Government Office during the year.....	16 49 1 02	17 51	
		Total Expenditure.....		5,272 44	1,976 85
		Balance unexpended and carried to credit of Consolidated Fund.....			

L. VANKOUGHNET,  
*Deputy Supt.-Gen. of Indian Affairs.*

ROBERT SINCLAIR,  
*Accountant, Indian Affairs.*  
DEPARTMENT OF THE INTERIOR,  
OTTAWA, 30th June, 1878.

RETURN C. 2 - INDIANS OF NOVA SCOTIA.

AUTHORITY FOR PAYMENT.	TO WHOM PAID.	SERVICE.	\$ cts.	\$ cis.	\$ cis.
Vote 148		<p>Balance at their credit on 30th June, 1877..... \$1,072 04                      Legislative Appropriation for 1877-78 ..... 4,500 00</p>			5,572 04
		<p>EXPENDITURE.</p>			
		<p>Salaries.</p>			
	<p>John Harlow.....                      Rev. P. M. Holden.....                      Rev. R. Macdonald.....                      Rev. W. Chisholm.....                      Rev. J. McDougall.....                      J. B. McDonald.....                      Rev. A. F. McGillivray.....                      John McEachen.....                      R. McNeill.....</p>	<p>Salary as Agent, District No. 1, 9 months, to 31st March, 1878 .....                      do do 2, 3 do 30th September, 1877.....                      do do 4, 9 do 31st March, 1878.....                      do do 6, 9 do do do.....                      do do 7, 9 do do do.....                      do do 8, 9 do do do.....                      Salary as School Teacher at Whycoomah, to 31st March, 1878.....                      do do Eskasonie do .....</p>	<p>75 00                      25 00                      75 00                      75 00                      75 00                      75 00                      170 00                      180 00</p>	<p>825 00</p>	
		<p>Expended by Agents in the purchase of supplies for the relief of destitute Indians, and for Seed-grain, in the following proportions:—</p>			
		<p>In District No. 1</p>			
	<p>By John Harlow.....                      Rev. F. Butler.....                      J. E. Beckwith.....                      Rev. E. J. McCarthy.....                      Rev. Canon Wood.....                      Dr. McLean.....                      Angus McLeod.....                      E. S. Blanchard.....                      Rev. R. Macdonald.....                      Rev. W. Chisholm.....                      Rev. J. McDougall.....                      J. B. McDonald.....                      Rev. A. F. McGillivray.....                      T. B. Smith.....                      C. E. Gates.....</p>	<p>Seed-grain.                      \$351 50                      60 00                      43 15                      32 00                      65 55                      95 83                      45 60                      40 00                      117 50                      87 00                      130 00                      140 00                      149 00                      30 00                      25 00</p>			
		<p>Relief.</p>			
		<p>For M. Philips, \$15; N. Jeddive, \$15</p>			
		<p>Sick Indian</p>			
		<p>Carried forward</p>			
				<p>2,347 53</p>	<p>5,572 04</p>
				<p>3,172 53</p>	
					<p>\$935 40</p>
					<p>\$1,412 13</p>

INDIANS OF NOVA SCOTIA.—*Concluded.*

AUTHORITY FOR PAYMENT.	TO WHOM PAID.	SERVICE.	\$ cts.	\$ cts.	\$ cts.
Vote 148 .....		Brought forward.....	.....	3,172 63	5,572 04
		<i>EXPENDITURE—Concluded.</i>			
		<i>Medical Attendance and Medicines.</i>			
	In District No. 1.....	.....	66 15		
	By A. Maxwell, M.D. ....	do .....	12 50		
	B. V. Harley, M.D. ....	do .....	6 00		
	J. Smithers, M.D. ....	do .....	3 22		
	H. Shaw, M.D. ....	do .....	22 08		
	W. Dennison, M.D. ....	do .....	36 25		
	W. H. Weeks, M.D. ....	do .....	10 50		
	H. Crowe, M.D. ....	do .....	8 95		
	W. A. McDonald, M.D. ....	do .....	149 98		
	A. McIntosh, M.D. ....	do .....	5 50		
	J. E. McKinnon, M.D. ....	do .....	16 18	337 31	
	W. A. McDonald, M.D. ....	do .....			
		<i>Miscellaneous.</i>			
	Montreal Telegraph Co. ....	Messages during the year ended 30th June, 1878.....	10 54		
	P. McDonald.....	Refund of purchase money for islands in Middle River .....	315 00		
	do .....	Nine months' interest to 30th September, 1877.....	15 75		
	L. Vankoughnet.....	Travelling expenses while on official visits to Nova Scotia.....	268 54		
	Indian Fund.....	Transfer of timber dues, quarry rents, &c., to account bearing interest.....	1,072 04		
	Eskasonie School.....	Purchase of school books.....	3 35		
	Boat Harbor School.....	Aid to build school-house.....	29 00		
	Rev. A. F. McGilivray.....	do house for crippled Indian.....	30 00		
	J. H. Deanison.....	Legal expenses <i>in re</i> Regina vs. H. B. Webster, M.D.....	40 40		
	R. L. Weatherbee.....	do in connection with the Reserve at Boat Harbor.....	30 00	1,914 62	
		Total Expenditure .....			5,324 46
		Balance unexpended .....			247 58

*Note!*  
 In the Books of the Finance Department the balance of this account is  
 Of which has been transferred to credit of Consolidated Fund.....

.....	247 58	383 56
The balance being retained to pay outstanding cheques as follows :		
No. 90, favor M. A. McDonald .....	\$16 18	
128, do R. McNeill .....	40 00	
206, do N. Jeddive .....	30 00	
217, do Rev. Thomas Butler .....	49 80	
	135 98	
	383 56	383 56

ROBERT SINCLAIR,  
 Accountant, Indian Affairs.

L. VANKOUGHNET,  
 Deputy Supt.-Gen of Indian Affairs.

DEPARTMENT OF THE INTERIOR,  
 INDIAN BRANCH, OTTAWA. 30th June, 1878.



RETURN C. 3.—INDIANS OF BRITISH COLUMBIA.

DR. GENERAL STATEMENT with three Subsidiary Statements following. Cr.

	\$	cts.	\$	cts.	\$	cts.
To Payment to Accountant-General of the Navy, for coal used on H.M.S. "Boxer," on an official visit to the Indians of the West Coast.....		159	81			
Transfer of this amount to "Indian Fund," being rents received from tenants occupying part of the Songhees Reserve.....		3,550	31			
Part of a payment to Accountant-General of the Navy on 26th July, 1875, not before brought to account.....		40	00			
Expenditure in Victoria Superintendency, as per Subsidiary Account herewith.....		9,432	63			
Expenditure in Fraser Superintendency, as per Subsidiary Account.....						
Less Cheques No. 17, in favor of J. Clapperton.....						
Nos. 43, 55 and 62, in favor of "Michel".....						
Outstanding.....	164	50				
Expenditure by Reserve Commissioners, and on account of survey, as per Subsidiary Account herewith.....		20,737	87			
Balance.....						
To Transfers—						
Consolidated Fund.....	4,131	85				
Casual Revenue.....	9,642	85				
Balance.....						
By Balance on 30th June, 1877.....						
Legislative Appropriations—						
For Victoria Superintendency.....	13,200	00				
Fraser Superintendency.....	17,000	00				
Reserve Commission and Surveys.....	27,000	00				
Refund by Reserve Commissioners.....						
	57,200	00				
		75	00			
By Balance.....						
By Balance reserved to pay outstanding cheques.....						
	61,406	85				
	13,939	20				
	13,939	20				
	164	50				

L. VANKOUGHNET,  
Deputy Supt.-Gen. of Indian Affairs.

ROBERT SINCLAIR,  
Accountant, Indian Affairs.

DEPARTMENT OF THE INTERIOR, INDIAN BRANCH, OTTAWA, 30th June, 1878.

A—Indians of British Columbia, Victoria Superintendency.

AUTHORITY FOR PAYMENT.	TO WHOM PAID.	SERVICE.	\$ cts.	\$ cts.	\$ cts.
Vote 151		Legislative Appropriation for 1877-8			13,200 00
		EXPENDITURE.			
	J. W. Powell, M. D.	Salary as Superintendent, for the year ended 30th June 1878.	2,600 00		
	do	do as Medical Officer	400 00		
	H. Moffatt	do as Clerk	1,500 00		
	John Smith	do Messenger	240 00		
	Sundry persons	Supt. Powell's travelling expenses	4,740 00		
		Supplies of food and clothing purchased and distributed to distressed and needy Indians	224 50		
		Agricultural implements, tools and garden seeds, purchased and distributed to Indians	707 88		
		Medical attendance and medicines	421 66		
		School Grants, as follows:—	1,059 64		
		Metlakathla School, to 30th June, 1878			
		do Fort Simpson	550 00		
		do Nass	300 00		
		do Kahahtamacks	225 00		
		do Massett School, to 31st Dec, 1877	150 00		
		Fuel for office	75 00		
		Postage	1,300 00		
		Telegraphing	45 75		
		Stationery	24 25		
		do from Government Office	231 74		
		Queen's Printer	35 62		
		Gas account	53 59		
		Charting and washing towels	10 25		
		Newspapers—Standard	8 20		
		Colonist	13 75		
			13 00		
			13 00		
		Carried forward	8 902 83		13,200 00

A.—Indians of British Columbia, Victoria Superintendency—*Concluded.*

AUTHORITY FOR PAYMENT.	TO WHOM PAID.	SERVICE.	\$ cts.	\$ cts.	\$ cts.
Vote 151.....	Sundry persons.....	Brought forward.....	.....	8,902 83	13,200 00
		<i>EXPENDITURE—Concluded.</i>			
	Miscellaneous expenditure, covering aid to sick, hospital charges, burial expenses, drayage, &c.....	Miscellaneous expenditure, covering aid to sick, hospital charges, burial expenses, drayage, &c.....	.....	388 80	
	Interpreter, employed three months and twenty-four days.....	Interpreter, employed three months and twenty-four days.....	.....	133 00	
	Water rate.....	Water rate.....	.....	8 00	
		Total Expenditure.....	.....	.....	9,432 63
		Balance unexpended.....	.....	.....	3,767 37

ROBERT SINCLAIR,  
*Accountant, Indian Affairs.*

DEPARTMENT OF THE INTERIOR,  
INDIAN BRANCH, OTTAWA, 30th June, 1878.

L. VANKOUGHNET,  
*Deputy Supt.-Gen. of Indian Affairs.*

B.—Indians of British Columbia, Fraser Superintendency.

AUTHORITY FOR PAYMENT.	TO WHOM PAID.	SERVICE.	\$	cts.	\$	cts.
Vote 161.,		Legislative Appropriation for 1877-78.			17,000 00	
		EXPENDITURE.				
	James Lenihan..... G. H. Pittendreich..... Indian Tom..... P. Jackman..... Sundry Persons.....	Salary as Superintendent, for year ended 30th June, 1878..... Services as Temporary Clerk for 2 months, 23 days, at \$3.00..... Salary as Messenger, nine months, at \$30.00..... Services as Night Watchman..... Superintendent Lenihan's travelling expenses..... Supplies of food and clothing purchased and distributed to distressed and needy Indians.....	2,450 00 164 22 270 00 15 00 860 02			
		Agricultural implements, tools and garden seeds, purchased and distributed to Indians.....	1,832 22			
		Medical attendances on sick Indians, and medicines purchased.....	4,612 09			
		School grant to St. Mary's mission, twelve months to 1st June, 1878.	1,940 20			
		Saddle and cloth for Superintendent.....	350 00			
		Fuel for office.....	47 25			
		Postage.....	63 63			
		Telegraphing.....	30 00			
		Stationery.....	44 35			
		Office rent.....	63 00			
		Office furniture.....	120 00			
		Printing.....	53 89			
		Repairs to office premises.....	25 00			
		Cleaning office.....	42 32			
		Sundry small purchases.....	2 75			
		Legal expenses.....	5 99			
		Sundry Indian interpreters and Messengers.....	10 00			
		Charter of steamer, three days, at \$60.00 per day to visit Reserve Commissioners on Indian business.....	382 10			
		Supplies purchased for small-pox patients, and lumber for pest-house.	160 00			
		Freighting, supplies and medicine, and steamers' fares paid for indigenous Indians.....	37 11			
		Pictures of Her Majesty and their Excellencies the Earl and Countess of Dufferin, presented to Chiefs.....	107 59			
		Carried forward	41 00			
			13,689 53		17,000 00	

B.—Indians of British Columbia, Fraser Superintendency—*Concluded*

AUTHORITY FOR PAYMENT.	TO WHOM PAID.	SERVICE.	\$ cts.	\$ cts.	\$ cts.
Vote 151.....	Sundry persons.....	Brought forward.....		13,689 53	17,900 00
		<i>EXPENDITURE—Concluded.</i>			
		Raising flag-staff at Indian Office .....		2 00	
		Services of J. Johns at Burrard Inlet.....		20 00	
		Total Expenditure.....			13,711 53
		Balance unexpended .....			3,288 47
		<i>Note</i> :—Of the expenditure shewn above.....		13,711 83	
		The following cheques are yet outstanding :—			
		No. 17—In favor of Clapperton .....	\$ 7 50		
		43 } do of Indian Michel.....	32 50		
		55 } .....	120 00		
		62 } .....	4 50		
			} 164 50		
		The expenditure in the Books of the Finance Department appears therefore to have been only \$13,547.33; while in the Indian Accounts the payments were considered, to have been made so soon as the cheques were issued.			

L VANKOUGHNET,  
*Deputy Supt.-Gen. of Indian Affairs.*

ROBERT SINCLAIR,  
*Accountant, Indian Affairs.*

DEPARTMENT OF THE INTERIOR,  
INDIAN BRANCH, OTTAWA, 30th June, 1878

C.—INDIANS OF BRITISH COLUMBIA

AUTHORITY FOR PAYMENT.	TO WHOM PAID.	SERVICE.	\$ cts.	\$ cts.	\$ cts.
Vote 151 .....		Estimated cost of Reserve Commission and Surveys in both Superintendencies .....			27,000 00
		<b>EXPENDITURE.</b>			
		<i>Reserve Commission.</i>			
	A. C. Anderson, Dominion Commissioner.....	Salary from 1st July, 1877, to 10th May, 1878 .....	3,140 00		
	G. M. Sproat, Joint Commissioner.....	do 21st June, 1877, to 16th March, 1878 .....	1,345 00		
	G. M. Sproat, Sole Commissioner.....	do 17th March, 1878, to 5th May, 1878 .....	500 00		
	G. Blenkinsop, Census Taker.....	do 1st July, 1877, to 31st March, 1878, 9 months, at \$60 per month .....	540 00	5,525 00	
	Sundry Persons.....	Allowances to Commissioners and staff in Victoria and in the field, in lieu of sundry expenses for mess, &c.....		4,446 25	
		Outfit for season of 1878 .....		675 33	
		Transport of field equipments .....		2,340 36	
		Travelling expenses of Commissioners and staff, covering horse hire and provender, saddlery, canoe hire and the services of sundry persons .....		1,204 12	
		Purchase of firearms .....		75 00	
		do of Dominion flag .....		21 00	
		Sundry board bills during absence from camp .....		255 00	
		Office expenses .....		861 65	
		Sundry expenses in connection with visit to Kamloops.....		264 50	
		Presents given by Commissioners to Indians .....		145 25	
		Gratuity to Kamloops Chief .....		335 00	
		Sundry interpreters.....		188 00	
		Chargeable to Reserve Commission.....		16,326 46	
		Less—Tents, tent flies, chart cases, &c., &c., disposed of to the surveying parties under Capt. Jemmett and A. Green, and charged below .....		402 75	
		Carried forward.....		15,923 71	27,000 00

C.—INDIANS OF BRITISH COLUMBIA—Concluded.

AUTHORITY FOR PAYMENT.	TO WHOM PAID.	SERVICE.	\$ cts.	\$ cts.	\$ cts.
Vote 151.....		Brought forward.....		15,92371	27,000 00
		<b>EXPENDITURE—Concluded.</b>			
	<i>Survey Branch.</i>				
	E. Mohun, Attendant Surveyor	Salary from 1st June, 1877, to 10th April, 1878, 10½ months, at \$150 per month.....	1,550 00		
	do	Surveyor in charge..			
	do	Provincial Surveyor and party.	348 00		
	Ashdown Green, Surveyor, Coast Survey .....	Salary from 11th April, 1878, to 8th June, 1878, 1 month 28 days, at \$180 per month.....	479 75		
	W. J. Jemmett, Surveyor, Interior Survey .....	Allowances in lieu of sundry expenses for mess, &c.....	124 52		
	C. E. Woods, Chairman.....	For services rendered.....			
	E. Pearce do .....	Salary from 1st to 31st May, 1878. ....	150 00		
	L. H. Wilson .....	do 15th April to 14th May, 1878 .....	150 00		
	E. Marvin .....	do 20th do to 19th do .....	50 00		
	Mars & Wilson.....	do 26th do to 28th do .....	50 00		
	Oppenheimer Bros. ....	Cash advanced on account of survey in progress .....	375 00		
	G. C. Keays .....	Tent flies .....	27 50		
	T. N. Hibbin & Co. ....	Hardware .....	41 45		
	Sundry Persons, during visit to Kamloops.....	Provisions.....	589 40		
		Tinware .....	254 39		
		Stationery .....	42 00		
		Board, lodging and horse feed during absences from camp .....	66 92		
		Drayage, ferrage, canoe and horse hire, horse shoeing, packing and labour .....	23 99		
		Telegrams.....	17 53		
		Postage stamps .....	0 84		
		Interpreting .....	8 75		
		Stationery.....	20 87		
		Copying.....	9 00		

Reserve Commission .....	207 60	
do .....	195 25	
Tents, &c., supplied to Capt. Jemmett's party.....		4,814 16
do Ashdown Green's do .....		
Chargeable to Survey Branch .....		
Total Expenditure .....		20,737 87
Balance unexpended. ....		6,262 13

L. VANKOUGHNET,  
Deputy Supt.-Gen. of Indian Affairs.

ROBERT SINCLAIR,  
Accountant, Indian Affairs.

DEPARTMENT OF THE INTERIOR,  
INDIAN BRANCH, OTTAWA, 30th June, 1878.



RETURN C, 4.—INDIANS OF PRINCE EDWARD ISLAND.

AUTHORITY FOR PAYMENT.	TO WHOM PAID	SERVICE.	\$ cts.	\$ cts.	\$ cts.
Vote 150.....					
		Balance at credit on 30th June, 1877..... \$1,454 05 Legislative appropriation for 1877-8..... 2,000 00			3,454 05
		<b>EXPENDITURE.</b> <i>Salaries.</i>			
	T. Stewart..... M. Francis.....	Twelve months' salary as Superintendent, to 30th June, 1878..... do School Teacher.....	200 00 220 00	420 00	
		<i>Relief.</i>			
	G. Davies..... R. T. Holman.....	For supplies of provisions and clothing purchased and distributed by Superintendent..... do do do.....	536 42 332 15	868 57	
		<i>Seed-Grain.</i>			
	Sundry persons.....	Purchased and distributed by Superintendent.....		200 00	
		<i>Medical Attendance.</i>			
	L. W. Fraser, M.D..... John T. Jenkins, M.D..... M. Wall, M.D..... do..... O. J. Shreve, M.D..... J. E. Robertson, M.D..... J. F. Brine, M.D.....	Account from 6th April, 1876, to 15th April, 1877..... do from October, 1873, to September, 1876..... do to August, 1877..... do do from December, 1877, to February, 1878..... do for attendance on two Indians on Lennox Island..... do do children of M. Prosper, October, 1877..... do do for services between 31st October, 1877, and May, 1878.....	6 75 43 75 22 00 9 25 17 75 4 00 6 00 37 27	145 77	

*Miscellaneous.*

L. Vankoughnet.....	Expenses in connection with official visit to Prince Edward Island.....	55 07	
T. Stewart .....	Travelling expenses for twelve months, to 30th June, 1878 .....	100 00	
J. Price.....	Contractor for road to Gall Point .....	26 00	
T. Burleigh.....	do .....	12 50	
Montreal Telegraph Company..	May account.....	1 32	184 89
	<b>Total Expenditure.....</b>		<b>1,829 23</b>
	Balance unexpended.....		1,624 82
	Carried to credit of Consolidated Fund.....	615 6	
	do Casual Revenue.....	1,009 76	
			1,624 82

L. VANKOUGHNET,  
*Deputy Supt.-Gen. of Indian Affairs.*

ROBERT SINCLAIR,  
*Accountant, Indian Affairs.*  
DEPARTMENT OF THE INTERIOR,  
INDIAN BRANCH, OTTAWA, 30th June, 1878

RETURN C, 5.—INDIANS OF MANITOBA AND THE NORTH-WEST.

DR. GENERAL ACCOUNT, with Subsidiary Statements following "A" to "N." CR.

	\$	cts.	\$	cts.	\$	cts.	
To Expenditure as per Subsidiary Statements following:—							
<i>In Manitoba Superintendency.</i>							
For Annuities—Treaties Nos. 1, 2, 3 and 5.....	54,308	00					
Agricultural Implements, Cattle, &c.—							
Treaties Nos. 1 and 2.....	4,986	94					
do Treaty No. 3.....	6,127	38					
do do No 5.....	1,528	30					
Provisions.....	7,955	62					
General expenses of the Superintendency,...	33,038	32					
			106,943	96			
<i>In North-West Superintendency.</i>							
For Annuities—Treaties Nos. 4 and 6.....	95,402	00					
Agricultural Implements, Cattle, &c.—							
Treaty No. 4.....	3,942	81					
do do No. 6.....	15,682	00					
Provisions.....	49,633	47					
Probable cost of new Treaties.....	72,916	65					
Sioux at Qu'Appelle.....	388	88					
General expenses of the Superintendency...	18,657	28					
			247,623	09			
<i>In both Superintendencies.</i>							
For Surveys.....			21,938	81			
Transfer of this amount to the credit of "Indian Fund" having been received for cordwood sold.....					39	00	
To Balance.....			17,674	94			
			394,219	80			
To Transfer to credit of Casual Revenue.....					17,611	54	
						394,219	80

<i>Balance</i> .....		17,674 91
<i>By Balance</i> .....		17,674 91
By Balance retained to pay credit cheque No. 201 in favor of the Hudson Bay Company, yet outstanding.....		63 40

L. VANKOUGHNET,  
*Deputy Supt.-Gen. of Indian Affairs.*

ROBERT SINCLAIR,  
*Accountant, Indian Affairs.*

DEPARTMENT OF THE INTERIOR,  
OTTAWA, 30th June, 1878.

A.—INDIANS OF MANITOBA.

AUTHORITY FOR PAYMENT.	TO WHOM PAID.	SERVICE.	\$ cts.	\$ cts.	\$ cts.
Votes 152. 153. 154.		SERVICE.  ANNUITIES. Legislative Appropriations, 1877-8 :— For Treaties 1 and 2 3 5 6		24,205 00 18,010 00 15,630 09	57,845 00
	Sundry Persons.....	EXPENDITURE. Treaty No. 1. 10 Chiefs, each \$25.00..... 34 Headmen do 15.00..... 3,574 Indians do 5.00..... Arrears to absentees from payments, 1871-2-3-4-5-6 :— 18 Indians, 1871, each \$3.00..... 4 do 1872 do 3.00..... 9 do 1873 do 3.00..... 11 do 1874 do 3.00..... 11 do 1875 do 5.00..... 1 do 1875 do 2.00..... 62 do 1876 do 5.00.....	250 00 510 00 17,870 00 54 00 12 06 27 00 33 00 55 00 2 00 310 00	19,123 00	
		Treaty No. 2. 6 Chiefs, each \$25.00..... 24 Headmen do 15.00..... 932 Indians do 5.00..... Arrears to absentees from payment of 1876 :— 8 Indians, each \$5.00.....	150 00 360 00 4,660 00 40 00	5,210 00	
		Treaty No. 3. 30 Chiefs each \$25.00..... 84 Headmen do 15.00..... 2,513 Indians do 5.00.....	750 00 1,260 00 12,565 00	14,575 00	

<i>Treaty No. 6.</i>	
8 Chiefs, each \$25 00.....	200 00
21 Headmen do 15 00.....	315 00
2,323 Indians do 5 00.....	14,615 00
Arrears to absentees from payment of 1876 :—	
54 Indians, each \$5.00.....	270 00
	15,400 00
Total Expenditure.....	64,308 00
Balance unexpended.....	3,537 00

L. VANKOUGHNET,  
*Deputy Supt.-Gen. of Indian Affairs.*

ROBERT SINCLAIR,  
*Accountant, Indian Affairs.*  
DEPARTMENT OF THE INTERIOR,  
INDIAN BRANCH, OTTAWA, 30th June, 1878.

B--INDIANS OF MANITOBA.

AUTHORITY FOR PAYMENT.	TO WHOM PAID.	SERVICE.	\$ cts.	\$ cts.	\$ cts.
Vote 155.....		AGRICULTURAL IMPLEMENTS, AMMUNITION, TWINE, FARMING STOCK AND TOOLS FURNISHED UNDER TREATIES 1 AND 2.			8,000 00
		Legislative Appropriation for 1877-78.....			
		<i>Expenditure, Treaty No. 1.</i>			
	A. P. Denholm.....	9 ploughs.....	\$25 00		225 00
	do	4 do.....	16 50		66 00
	J. H. Ashdown.....	8 harrows.....	11 75		94 00
	do	48 scythes.....	1 18		56 61
	do	16 do.....	2 00		32 00
	McMicken & Taylor.....	24 scythe stones.....	0 20		4 80
	do	14 reaping hooks.....	1 25		17 50
	W. F. Alloway.....	4 oxen.....	57 50		495 94
	Hudson Bay Company.....	259 bushels wheat.....	1 00		259 00
	do	9 do.....	0 70		6 30
	do	117 bushels barley.....	0 50		58 50
	do	10 do.....	0 75		7 50
	do	730 bushels potatoes.....	0 25		182 50
	do	240 do.....	0 40		96 00
	do	72 do.....	0 75		54 00
	do	3 bushels peas.....	1 00		3 00
	do	517 lbs. garden seed.....	1 00		51 50
	A. G. R. Bannatyne.....	Garden seeds of various kinds at different prices.....			484 80
	R. R. Keith.....	do do.....			17 26
	J. H. Ashdown.....	19 kegs powder.....	6 70		127 30
	McMicken & Taylor.....	1,200 lbs. shot.....	0 10		120 00
	A. P. Denholm.....	511 do twine.....	0 68		337 28
	do	355 do do.....	0 45		150 75
	Sundry persons.....	Packing, freighting, &c.....			735 31
		Total Expenditure, Treaty No. 1.....			530 03
					3,211 84

Treasury No. 2.

McCicken & Taylor.....	6 ploughs.....	\$27 00	162 00
do	2 harrows.....	13 00	26 00
Hudson Bay Company.....	24 hoes.....	1 16 3/4	28 00
A. P. Denholm.....	94 do	0 90	84 65
McCicken & Taylor.....	26 scythes.....	2 00	52 00
do	33 do	1 10	36 30
do	48 scythe stones.....	0 20	9 60
do	37 do	0 10	3 70
do	24 reaping hooks.....	1 25	30 00
do	42 spades.....	1 25	52 50
do	12 do	0 75	13 20
do	12 hayforks.....	0 66	9 00
J. H. Ashdown.....	8 do	0 66	5 28
Geo. Roy.....	4 ox-carts and harness.....	16 00	64 00
W. F. Alloway.....	4 do	10 00	40 00
			616 23
do	1 ox.....	50 00	50 00
Hon. J. McKay.....	1 do	70 00	70 00
			120 00
Hudson Bay Company.....	20 bushels wheat.....	1 00	20 00
do	39 do	0 70	27 30
do	75 bushels barley.....	0 50	37 50
do	230 bushels potatoes.....	0 62 1/2	143 75
do	50 do	0 40	20 00
do	55 do	0 75	41 25
do	3 bushels peas.....	0 75	2 25
do	8 do	1 00	8 00
do	3 bushels beans.....	2 50	7 50
do	26 1/2 lbs. garden seeds.....	1 00	26 50
do	Garden seeds of various kinds at different prices.....	1 00	30 08
R. R. Keith.....			364 13
J. H. Ashdown.....	11 kegs powder.....	6 70	73 70
Hudson Bay Company.....	25 lbs. do	0 60	15 00
J. H. Ashdown.....	6 kegs do	6 70	40 20
do	2 cans do	4 72	9 44
McCicken & Taylor.....	1,150 lbs. shot.....	0 10	115 00
do	125 do	0 12	15 00
Hudson Bay Company.....	28 do	0 25	7 00
			275 34
	Carried forward.....		1,100 36
			8,000 00



B.—INDIANS OF MANITOBA—Concluded.

AUTHORITY FOR PAYMENT.	TO WHOM PAID.	SERVICE.	\$ cts.	\$ cts.	\$ cts.
Vote 155.....	A. P. Denholm .....	Brought forward.....	275 34	1,100 36	8,000 00
	do .....	AGRICULTURAL IMPLEMENTS, &c.—Concluded.			
	do .....	Treaty No. 2—Concluded.			
	do .....	178 Pounds twine.....	0 66	117 48	
	do .....	134 .....	0 45	60 30	
	Hudson Bay Company....	Freight and sacks for grain.....		453 12	
		Total Expenditure, Treaty No 2.....		221 22	
		do Both Treaties.....		1,774 70	
		Balance unexpended.....			4,986 34
					3,013 66

L. VANKOUGHNET,  
Deputy Supt.-Gen. of Indian Affairs.

ROBERT SINCLAIR,  
Accountant, Indian Affairs.  
DEPARTMENT OF THE INTERIOR,  
INDIAN BRANCH, OTTAWA, 30th June, 1878.

C.—INDIANS OF MANITOBA.

AUTHORITY FOR PAYMENT.	TO WHOM PAID.	SERVICE.	\$ cts.	\$ cts.	\$ cts.
Vote 156.....		AGRICULTURAL IMPLEMENTS, AMMUNITION, TWINE, FARMING STOCK AND TOOLS, FURNISHED UNDER TREATY No. 3.			7,500 00
		<i>Expenditure.</i>			
	A. P. Denholm..... J. H. Ashdown..... J. Lowrie..... J. H. Ashdown..... J. Lowrie..... J. H. Ashdown.....	4 ploughs ..... \$25 00 4 do ..... 16 50 2 do ..... 24 00 13 harrows..... 152 75 2 do ..... 20 00 20 scythes..... 23 69		386 35	
	W. F. Alloway ..... J. Penrose ..... George Durand ..... W. Rheubotham ..... W. F. Alloway ..... do ..... J. Penrose ..... S. Smith ..... J. Lowrie ..... J. Penrose..... S. Smith.....	2 oxen..... 57 50 3 do ..... 55 00 2 do ..... 67 50 2 do ..... 65 00 1 cow..... 1 do ..... 21 do ..... 35 00 1 do and calf..... 1 do do ..... 7 bulls..... Average 34 28 1 do .....		1,717 50	
	P. L. Knappin..... George Keith..... A. G. B. Bannatyne..... John Decaire.....	101 bushels potatoes..... 1 25 Sundry garden seeds..... do ..... 1½ tons hay..... 7 00		293 59	
	J. H. Ashdown.....	52 kegs powder..... 6 70	348 40	2,397 44	7,500 00
		Carried forward.....	348 40	2,397 44	7,500 00

C.—INDIANS OF MANITOBA—*Concluded.*

AUTHORITY FOR PAYMENT.	TO WHOM PAID.	SERVICE.	\$ cts.	\$ eis.	\$ cts
Vote 156.....		Brought forward.....	348 40	2,297 44	7,500 00
		<b>AGRICULTURAL IMPLEMENTS, &amp;c.—<i>Concluded.</i></b>			
		<i>Expenditure.—Concluded.</i>			
	Thos. Marks & Bros .....	6 kegs powder.....	6 50		
	McMicken & Taylor .....	3,920 lbs. shot.....	0 10		
	Thos. Marks & Bros. ....	400 do .....	0 10		
	I. H. Ashdown .....	40,000 gun caps.....	0 70		
	Thos. Marks & Bros .....	4,000 do .....	1 00		
	A. P. Denholm.....	700 lbs. twine.....	0 66		
	do .....	550 do .....	0 45		
	Thos. Marks & Bros .....	108 do .....	0 90		
	do .....	100 do .....	0 35		
	do .....	Hooks and fishing lines.....			
	D. Covey.....	4 sets whip saws with handles.....	\$ 2 50	1,713 90	
	A. Guay .....	Teaming 27,401 lbs. of seed-grain from Winnipeg to the Lake of the Woods, at \$2.00 per cwt.....		10 00	
	M. Morriseau.....	Driving 31 head of cattle to the Lake of the Woods .....		518 62	
	A. McDermott.....	29 lbs. rope for tying cattle .....	\$ 0 20	280 00	
	Sundry Persons.....	Expenses in connection with conveyance of cattle from Sarnia to Prince Arthur's Landing .....		5 80	
		Sundry persons for packing supplies, freighting, care of cattle, &c.....		52 33	
		Total Expenditure.....		119 89	5,127 38
		Balance unexpended.....			2,373 62

L. VANKOUGHNET,  
*Deputy Supt.-Gen. of Indian Affairs*

ROBERT SINCLAIR,  
*Accountant, Indian Affairs.*

DEPARTMENT OF THE INTERIOR,  
INDIAN BRANCH, OTTAWA, 30th June, 1878.

D.—INDIANS OF MANITOBA.

AUTHORITY FOR PAYMENT.	TO WHOM PAID.	SERVICE.	\$	cts.	\$	cts.
Vote 157.....		AGRICULTURAL IMPLEMENTS, AMMUNITION, TWINE, FARMING STOCK AND TOOLS FURNISHED UNDER TREATY No. 5.			5,500 00	
		<i>Expenditure.</i>				
	A. P. Denholm.....	7 ploughs.....	\$25 00	175 00		
	J. H. Ashdown.....	12 do.....	16 50	198 00		
	do.....	19 harrows.....	11 75	223 25		
	do.....	30 scythes.....	1 18	35 40		
	do.....	30 spades.....	0 87	26 10		
	Hudson Bay Company.....	1 ox.....	6 70	93 80	637 75	90 00
	J. H. Ashdown.....	14 kegs powder.....	0 10	96 00		
	McMicken & Taylor.....	960 lbs. shot.....	0 66	214 50		
	A. P. Denholm.....	325 lbs. twine.....	0 45	96 73	501 05	
	do.....	215 do.....				
	McMicken & Taylor.....	6 chests carpenters' tools.....	35 00	210 00		
	Hudson Bay Company.....	1 grindstone.....		10 00		
	A. G. B. Bannatyne.....	Sundry garden seeds.....			220 00	
	Sundry Persons.....	Packings freight, &c.....			53 50	6 00
		Total Expenditure.....			1,528 30	
		Balance unexpended.....			3,971 70	

L. VANKOUGHNET,  
Deputy Supt.-Gen. of Indian Affairs.

ROBERT SINCLAIR,  
Accountant, Indian Affairs.  
DEPARTMENT OF THE INTERIOR,  
INDIAN BRANCH, OTTAWA, 30th June, 1878

E.—INDIANS OF MANITOBA.

AUTHORITY FOR PAYMENT.	TO WHOM PAID.	SERVICE.	\$ cts.	\$ cts.	\$ cts.
Vote 133.....		PROVISIONS FOR INDIANS ASSEMBLED TO RECEIVE ANNUITIES UNDER TREATIES 1, 2, 3 AND 5.			13,000 00
		Relative Appropriations for 1877-8.....			
		<i>Expenditure.</i>			
	A. P. Denholm.....	4,500 lbs. tea .....	\$ 37		1,665 00
	do .....	8 do .....	0 75		6 00
	Hudson Bay Co. ....	15 do .....	1 00		15 00
	do .....	127 do .....	0 61		77 47
	A. Strang .....	200 do .....	0 45		90 00
	do .....	165 do .....	0 45		69 75
	Hudson Bay Co. ....	5 do .....	0 60		3 00
	A. McDermott .....	100 do .....	0 45		45 00
	J. Colcleugh & Co. ....	50 do .....	0 50		25 00
	A. G. B. Bannatyne.....	25 do .....	0 45		11 25
	A. P. Denholm.....	1,078 lbs. tobacco .....	● 44		474 32
	do .....	1,119 do .....	0 42½		505 33
	McMicken & Taylor.....	211 do .....	0 45		84 86
	A. McDermott. ....	55½ do .....	0 45		24 98
	Hudson Bay Co. ....	16 do .....	1 00		16 00
	Street Bros. ....	102 do .....	0 50		51 00
	C. W. Radiger & Bro.....	38½ do .....	0 50		190 25
	A. Strang.....	141½ do .....	0 50		70 75
	A. McDermott .....	100 do .....	0 45		45 00
	J. Colcleugh & Co. ....	50 do .....	0 75		37 50
	A. G. B. Bannatyne.....	25 do .....	0 45		11 25
	McMicken & Taylor.....	200 lbs. sugar .....	0 14		28 00
	A. McDermott .....	105 do .....	0 14½		15 23
	McMicken & Taylor.....	1,000 lbs. pemmican .....	0 13		130 00
	A. McDermott.....	175 do .....	0 13		22 75
	Hudson Bay Co. ....	1,011 do .....	0 15		161 65
	do .....	30 do .....	0 25		7 50
				2,037 47	
				1,521 34	
				28 00	
				15 23	
				130 00	
				22 75	
				161 65	
				7 50	

do	48	do	0 24 1/2	11 68	423 58
A. McDermott.....	12	bags flour.....	2 25	27 00	
Hudson Bay Co. ....	3	do .....	5 50	16 50	
do .....	42	do .....	6 50	273 00	
J. H. Ashdown.....	450	do .....	3 20	1,440 00	
A. Strang .....	22	do .....	3 00	66 00	
Hudson Bay Co. ....	3	do .....	4 00	12 00	
A. McDermott .....	6	do .....	2 50	15 00	
do .....	6	do .....	2 00	12 00	
J. Colcleugh & Co. ....	12	do .....	4 50	54 00	
do .....	25	do .....	2 15	53 75	
A. McDermott.....	6	do .....	2 00	12 00	
A. G. B. Bannatyne ..	6	do .....	2 00	12 00	
Street Bros.....	8	bbls. flour .....	8 50	68 00	
A. Strang .....	24	bags do .....	3 00	72 00	2,133 25
A. McDermott.....	1,300	lbs. bacon.....	0 13	169 00	
Hudson Bay Co. ....	2,155	lbs. pork.....	0 25	538 75	
A. Strang .....	21	bbks. pork.....	22 50	472 50	
M. Burke .....	7	do .....	20 00	140 00	1,320 25
Wm. Harper.....	1	beef ox .....		60 00	
M. Johnstone.....	1	do .....		60 00	
David Young .....	3	do .....	66 66	200 00	
W. Greyeyes.....	1	do .....		60 00	
W. Cook .....	1	do .....		75 00	
L. H. Hunter.....	2	do .....	60 00	120 00	
Sundry Persons.....		Teaming pork and other supplies, freight, sacks, &c. ....		575 00	
		Total Expenditure.....		31 50	7,955 62
		Balance unexpended.....			6,044 33

L. VANKOUGHNET,  
Deputy Supl.-Gen. of Indian Affairs.

ROBERT SINCLAIR,  
Accountant, Indian Affairs.  
DEPARTMENT OF THE INTERIOR,  
INDIAN BRANCH, OTTAWA, 30th June, 1878.

F.—INDIANS OF MANITOBA.

AUTHORITY FOR PAYMENT.	TO WHOM PAID.	SERVICE.	\$ cts.	\$ cts.	\$ cts.
Vote 159.....	J. A. N. Provencher.....	Salary as Acting Superintendent, 9 months, to 31st March, 1878.....	1,499 94	1,200 00	18,200 00
Vote 19 and part	Jas. F. Graham.....	Clerk, in Winnipeg Office, 12 months, to 30th June, 1878.....	1,200 00	680 00	5,388 87
of Vote 32.....	L. J. A. Leveque.....	do do do 11 do 5th do	680 00	1,000 00	23,688 87
	R. Pither.....	Agent, at Fort Francis 11 do 1st do	1,000 00	912 50	
	Geo. McPherson.....	do do Assabaskasing, 12 do 30th do	1,000 00	1,000 00	
	do	do do for 11½ months, prior to 30th June, 1878.....	1,000 00	1,000 00	
	H. Martineau.....	do do at Oak Point, 12 months, to 30th June, 1878.....	1,000 00	1,000 00	
	D. Young, M.D.....	do do St. Peters, 12 do do	1,000 00	1,000 00	
	W. Clarke.....	do do Norway House, 7 months do	1,583 31	300 00	
	F. Ogilvie.....	do do Provisional Agent, Portage la Prairie, 12 months, to 30th June, 1878.....	300 00	50 00	
	Geo. Newcomb.....	do do Provisional Agent, Emerson, 12 months, to 30th June, 1878.....	50 00	625 02	
	Hon. Thos Howard.....	do do Clerk in Purveyor's Office 12 do do	625 02	250 00	
	N. Chastelaine.....	do do Interpreter, Treaty No. 3 12 do do	250 00	300 00	
	J. S. Lynch, M.D.....	For Professional services in Keewatin, during small-pox epidemic, in 1877... Vaccine points for use within limits of Treaty No. 3.....	300 00	76 15	
	J. P. Lynn, M.D.....	do do Instructions for agents re-vaccination.....	76 15	20 00	
	Isaac Cowie.....	do do Medicines.....	20 00	54 00	
	Wm. Dreever.....	Services during November and December, 1876, in connection with small-pox.....	54 00	120 00	
	R. Pither.....	do do do do	120 00	36 00	
	Manitoba Free Press.....	Advertising and printing.....	36 00	176 71	
	Standard Printing Co.....	do do do do	176 71	60 11	
	Daily Free Press, Mani- toba.....	do do do do	60 11	52 62	





F.—INDIANS OF MANITOBA—Continued.

AUTHORITY FOR PAYMENT.	TO WHOM PAID.	SERVICE.	\$ cts.	\$ cts.	\$ cts.
Vote 19 and part of Vote 32.....		Brought forward.....	82 28	18,379 78	23,588 87
		<b>EXPENDITURE—Continued.</b>			
	Mowat & Son .....	Dominion flag and seven Ensigns .....	65 50		
	Durie & Son .....	French and English dictionary for Winnipeg office.....	5 00		
	Hon. D. Mills .....	Travelling expenses of self and Secretary to Manitoba and return .....	843 00		
	Bain & Blanchard. ....	Drawing contracts .....	5 00		
	McMicken & Taylor .....	Stencil plate for Purveyor's Office—half cost.....	7 10		
	D. Young, Agent.....	To reimburse sundry contingent expenses.....	80 10		
	H. Martineau, Agent.....	do .....	85 25		
	Jas. F. Graham, Acting Superintendent .....	do .....	88 41		
	R. Pither, Agent.....	Rent of storehouse at Fort Francis, twelve months, to 30th June, 1877.....	100 00		
	do .....	Fences damaged by Indian cattle.....	44 50		
	do .....	Eight tons of hay, at \$9.00, for Indian cattle.....	72 00		
	do .....	Travelling expenses to and from Winnipeg .....	83 00		
	J. H. Ashdown .....	Seven sets Union scales for agencies.....	105 83		
	Amos Wright, Agent .....	Sundry petty disbursements while paying annuities.....	7 60		
	do .....	Rent of office at Prince Arthur's Landing, with fuel and light, for twelve months ended 30th June, 1878.....	87 50		
	Hudson Bay Company.....	Hire of plough ox at Riding Mountain, twenty-four days.....	12 00		
	do .....	Hire of three boats, fourteen days, for conveyance of Chief Rundell's band to Fisher River.....	45 00		
	do .....	Payment to messengers summoning Indians of Riding Mountain to receive annuities.....	42 72		
	do .....	Provisions to messengers sent to warn Indians of Lake Winnipeg of measles to be taken to prevent spread of small-pox .....	9 60		
	do .....	Provisions furnished to drivers of cattle sent to Indians of Treaty No. 6.....	49 62		
	do .....	Provisions furnished Indians at Winnipeg on occasion of Governor General's visit .....	40 00		
	John Ramsay .....	For small-pox infected house burned by order of health officers.....	150 00		
	H. Newell.....	Engrossing report from Dr. Lynch to Lieutenant-Governor, on sanitary condition of Indians of Manitoba and Keewatin.....	5 00		
	do .....	Engrossing address of Indians of St. Peter's to His Excellency the Governor General .....	20 00		

Cain & Steinhoff	Case to hold address.....	2 50
Sprmer "Swallow"	Fares to Lower Fort during Governor General's visit.....	4 25
James Atkinson	Interpreting for Rosseau River Indians.....	7 00
George Cumming	Distributing grain to Portage la Prairie Band.....	52 00
H. Martineau, Agent	For interpreters employed at Lake Manitoba.....	40 00
do	Expenses incurred while paying annuities, Treaty No. 5.....	280 80
do	do do No. 2.....	829 05
do	do do No. 5.....	1,690 85
W. Clarke, Agent	Fitting up stoves in Winnipeg office.....	3 48
McMicken & Taylor	Nine months' rent of Winnipeg office, to 7th April, 1878.....	450 00
A. G. B. Bannalyne	Two do do do to 15th June, 1878.....	100 00
Donaldson Bros.	Payment to constables present at Treaty payment at Rosseau River.....	20 00
F. T. Bradley	Articles of clothing, <i>in re</i> Indians quarantined on account of smallpox in 1877, viz.:	
Bertrand & Prudhomme.	270 yards print, at 12½c.....	33 75
	378 do do at 13c.....	49 14
	108½ yards flannel, at 25c.....	27 13
	48 do do at 48c.....	23 04
	4½ dozen shirts, at \$13.....	54 16
	20 pairs trousers, at \$2.50.....	50 00
	30 do do at \$3.50.....	105 00
H. S. Donaldson	Letter box for Purveyor's Office.....	1 91
Post Office, Winnipeg	Six months postage to 31st March, 1877.....	25 97
Lieut.-Gov. Morris	Expended through him for Sioux of Bird Tail Creek.....	171 67
Geo. Cyr	Care of ox, 14 days at 50c.....	7 00
Geo. McPherson	Collecting and driving seventeen head of cattle.....	45 50
Jas. Finlayson	25 cords wood for Winnipeg Office.....	143 75
Angus McLeod	4 do do Manitoba House Office.....	5 00
Angus McLeod	4 do do do.....	5 00
Robert Pither, Agent	Expenses incurred while paying annuities, Treaty No. 3.....	224 00
do	Travelling expenses, Winnipeg to North-West Angle.....	40 00
do	For the clothing undermentioned, being part of the triennial supply to Indians of Treaty No. 3, the bulk of which appears in Public Accounts of 1876-77, viz.:	
	104 flannel shirts, at \$2.....	208 00
	104 silk handkerchiefs, at \$2.....	208 00
	104 pairs socks, at 40c.....	41 60
	104 pairs boots, at \$4.....	416 00
Drs. O'Donnell and Driscoll	Medical services to Chief David Rendell.....	5 00
M. Spence	Board of Chief David Randell for five days, and for conveying him to St. Peters.....	10 00
Hon. Jas. McKay	Provisions to Indians on occasion of Governor General's visit.....	8 60
Thos. Wiley	Damages to his hay crop by Indian cattle.....	30 00
Queen's Printer	Printing done in Government Office.....	87 09
Government Stationery Office	Stationery.....	233 21
	Carried forward.....	7,784 46
		18,379 78
		23,568 87

F.—INDIANS OF MANTORA—*Concluded.*

AUTHORITY FOR PAYMENT.	TO WHOM PAID.	SERVICE.	\$	cts.	\$	cts.
Vote 19 and part of Vote 32.....	J. A. N. Provencher.....	Brought forward.....	7,781	46	18,379	78
<p>EXPENDITURE—<i>Concluded.</i></p> <p>The following sums being the balances of credits established in his favor and not accounted for by him on his being deprived of the office of Acting Superintendent at Winnipeg, viz:</p>			612	00		
Annuities, Treaties Nos. 1 and 2.....		do	3,470	00		
do Treaty No. 3.....		do	239	00		
do do No. 5.....		Contingent account.....	2,562	08	14,639	54
Total Expenditure.....		Balance over expended.....			33,038	32
					9,449	45

ROBERT SINCLAIR,  
*Accountant, Indian Affairs.*

DEPARTMENT OF THE INTERIOR,  
INDIAN BRANCH, OTTAWA, 30th June, 1878.

L. VANKOUGHNET,  
*Deputy Supt.-Gen. of Indian Affairs.*

G.—INDIANS OF THE NORTH-WEST.

AUTHORITY FOR PAYMENT.	TO WHOM PAID.	SERVICE.	\$ cts.	\$ cts.	\$ cts.
Votes 160 do 161		ANNUITIES.			69,893 00
		Legislative Appropriations, 1877-8 :— For Treaty No. 4.....		21,745 00 48,150 00	
		EXPENDITURE.—Treaty No. 4.			
		26 Chiefs.....	650 00		
		77 Headmen.....	1,155 00		
		5,253 Indians.....	26,265 00		
		Arrears paid by Inspector Walsh, of Cypress Hills, to absentees from payment of 1876 :—			
		27 Indians.....	135 00		
		Assiniboine adhesions to Treaty No. 4, taken by Inspector Walsh :—			
		607 Indians.....	7,284 00		
		Arrears of 1874-5-6 paid by Agent McDonald :—			
		1,204 Indians.....	6,020 00	41,509 00	
		Treaty No. 6.			
		25 Chiefs, 25.00 each.....	625 00		
		Less one Chief underpaid.....	5 00		
		77 Headmen.....	620 00		
		4,423 Indians.....	1,155 00 22,115 00		
		Arrears of 1876 paid by Agent Dickieson :—			
		4,971 Indians.....	24,855 00	41,509 00	69,895 00
		Carried forward.....			

G.—INDIANS OF THE NORTH-WEST—Concluded.

AUTHORITY FOR PAYMENT.	TO WHOM PAID.	SERVICE.	\$ cts.	\$ cts.	\$ cts.
Votes 161.....		<p style="text-align: center;">ANNUITIES—Concluded.</p> <p>Brought forward.....</p>	49,745 00	41,509 00	69,885 00
		<p style="text-align: center;">EXPENDITURE—Treaty No. 6—Concluded.</p> <p>Adhesions taken by Agent Dickison, Chief "Eobiall's" Band, consisting of— 429 Indians..... 12 00</p>	5,148 00	53,893 00	95,402 00
		Total Expenditure.....			25,577 00
		Balance over expended.....			

L. VANKOUGHNET,  
*Deputy Supt.-Gen of Indian Affairs*

ROBERT SINCLAIR,  
*Accountant, Indian Affairs.*

DEPARTMENT OF THE INTERIOR,  
INDIAN BRANCH, OTTAWA, 30th June, 1878.

H.—INDIANS OF THE NORTH-WEST.

AUTHORITY FOR PAYMENT.	TO WHOM PAID.	SERVICE.	\$	cts.	\$	cts.	
Vote 162.		AGRICULTURAL IMPLEMENTS, AMUNITION, TWINE, FARMING STOCK AND TOOLS, FURNISHED UNDER TREATY No. 4.					6,750 00
		<i>Expenditure.</i>					
		Legislative Appropriation.					
		1 plough with chains and whiffletrees.	32 40				
	Hudson Bay Company	do	26 40				
		2 sets harness.	27 00		\$13 50		
		8 scythes and snaths.	9 20				
		8 do stones.	4 40		0 55		
		20 hoes.	23 00		1 15		
		20 do	23 33		1 16½		
		112 do	99 68		0 89		
	A. P. Denholm	do	37 40		1 10		
	J. H. Ashdown	do	15 30		0 85		
	Hudson Bay Company	18 hayforks.	25 08		0 63		
	J. H. Ashdown	do	17 00		0 83		
	Hudson Bay Company	20 axes.	33 08				
		21 do at 72½ cts.; 21 do at 85 cts.	54 17		1 68½		
	A. P. Denholm	50 spades.	40 00		4 00		
		10 sets whiffletrees.	42 00				
	Hudson Bay Company	2 carts and harness.	509 44				
		5 bushels barley.	2 50		0 50		
		20 do	46 00		2 30		
	R. R. Keith	do	3 45				
	Hudson Bay Company	Sundry garden seeds.	90 00		1 00		
		90 bushels potatoes.	92 80		1 60		
		170 do	348 50		2 05		
		30 do	1 50		1 50		
	Rev. J. Reader	do	1 00		1 00		
	R. P. Hugonmont	do	50 00		1 00		
	W. Liuklater	do	10 00		2 00		
	P. Geua lie	5 do barley	885 05				
		Carried forward	1,374 44				6,750 00

1-1  
1-2  
1-3  
1-4

II.—INDIANS OF THE NORTH-WEST—Concluded.

AUTHORITY FOR PAYMENT.	TO WHOM PAID.	SERVICE.	\$	cts.	\$	cts.	\$	cts.
Vote 162 .....		Brought forward .....			1,374	49	6,750	09
		AGRICULTURAL IMPLEMENTS, &c.—Concluded.						
		Expenditure—Concluded.						
	Hudson Bay Company .....	1 yoke oxen .....	140	00				
	do .....	1 do .....	145	00				
	do .....	1 cow and calf .....	60	00				
	do .....	1 bull .....	55	00				
	do .....	Driving Cattle .....	5	00		405		00
	do .....	100 lbs. powder .....	85	00				
	J. H. Ashdown .....	73 kegs do .....	489	10				
	Baker & Co .....	180 lbs. do .....	108	00				
	Hudson Bay Company .....	Ammunition given to Chief Whitecap .....	30	00				
	do .....	3/4 lbs. shot .....	0	30				
	McLicken & Taylor .....	2,105 do .....	0	10				
	do .....	2,835 do .....	0	12				
	Baker & Co. ....	400 lbs. bullets .....	100	00				
	do .....	12,000 gun caps .....	2	50				
	do .....	2,000 do flints .....	5	00				
	A. P. Denholm .....	180 lbs. twine .....	118	80				
	do .....	163 do .....	73	35				
	Sundry Persons .....	Packing, freighting bags, &c. ....	1,704	15				
		Total Expenditure .....	3,942	81				
		Balance unexpended .....	2,807	19				

L. VANKOUGHNET,  
Deputy Supt.-Gen. of Indian Affairs

ROBERT SINCLAIR,  
Accountant, Indian Affairs.  
DEPARTMENT OF THE INTERIOR,  
INDIAN BRANCH, OTTAWA, 30th June, 1878.

I. INDIANS OF THE NORTH-WEST.

AUTHORITY FOR PAYMENT.	TO WHOM PAID.	SERVICE.	\$ cts.	\$ cts.	\$ cts.
Vote 162.....		AGRICULTURAL IMPLEMENTS, AMMUNITION, TWINE, FARMING STOCK AND TOOLS FURNISHED UNDER TREATY No. 6. Legislative Appropriation, 1877-78.....			20,486 00
		<i>Expenditure.</i>			
	J. H. Ashdown.....	9 ploughs.....	\$ 16 00	148 50	
	do.....	10 do.....	30 00	300 00	
	do.....	10 do.....	18 25	182 50	
	A. P. Denholm.....	1 do.....	25 00	250 00	
	Hudson Bay Company.....	1 do.....	47 00	40 00	
	Mahony & McDonald.....	3 do.....	11 75	223 25	
	J. H. Ashdown.....	19 barrows.....	14 50	280 00	
	do.....	20 do.....	1 18	218 30	
	do.....	185 scythes and snaths.....	0 65	135 30	
	do.....	205 hayforks.....	0 30	81 00	
	do.....	270 reaping hooks.....	0 87	130 50	
	A. P. Denholm.....	150 spades.....	0 80	291 34	
	do.....	185 axes, at 72½ cts; 185 do 85 cts.....	23 30	329 30	
	Cant, Gornley & Co.....	370 hoes.....	23 30	582 50	
	Northern Transportation Company.....	25 Grain choppers with extra blades.....		140 00	
	Joseph Lowrie.....	Freight on grain choppers.....		1,168 50	
	A. Wright.....	19 spring waggon.....	61 50	304 00	
	McMicken & Taylor.....	19 sets wagon harness.....	27 00	162 00	
	J. H. Ashdown.....	6 carts.....	8 00	48 00	
	McMicken & Taylor.....	6 sets cart harness.....	1 65	10 31	
	H. Johnstone.....	6 boxes axle grease.....	6 00	3 00	
	P. Ballandine.....	6 sets ox-harness.....	1 50	3 00	
	H. Johnstone.....	2 ox-collars.....	13 00	30 00	
	North-West Mounted Police.....	Repair of implements.....	4 00	5,249 34	
		Carried forward.....			20,486 00



I.—INDIANS OF THE NORTH-WEST—Concluded.

AUTHORITY FOR PAYMENT.	TO WHOM PAID.	SERVICE.	\$	cts	\$	cts
Vote 162.....	Hon. J. McKay..... W. W. Comeford..... Jas. Reid..... Wm. Oliver..... H. Johnstone..... P. Ballandine..... do..... Hon. J. McKay..... W. F. Alloway..... M. G. Dickieson.....	Brought forward .....  AGRICULTURAL IMPLEMENTS—Concluded. <i>Expenditure</i> —Concluded.	2,175 12 125 00 694 80 130 00 480 00 3 0 00 60 00 900 00 200 00 200 00	..... ..... ..... ..... ..... ..... ..... ..... ..... .....	5,249 34	20,486 00
	Jas. H. Ashdown..... do..... do..... do..... do..... McMicken & Taylor..... do.....	940 lbs. grindstones..... 22 cross-cut saws..... 22 pit saws, tillers and boxes..... 294 saw files..... 110 hand-saws..... 22 chests tools..... 110 augers.....	0 31 1 80 1 06 Various 0 91 35 00 0 41	29 14 39 61 19 37 37 08 39 00 770 00 45 10	..... ..... ..... ..... ..... ..... .....	1,109 24
	Jas. H. Ashdown..... Hudson Bay Company..... McMicken & Taylor..... do..... do..... Hudson Bay Company..... do..... do..... A. P. Deuholm..... do.....	73 kegs powder..... 92 lbs. do..... 1,169 do Shot..... 3,765 do do..... Packing powder and shot..... 3 lbs. shot..... 203 do..... 9 dozen gun flints..... 193 lbs. twine..... 193 do.....	6 70 1 00 0 10 0 12 0 50 0 30 0 25 0 64 0 45	522 61 92 00 116 00 451 80 7 75 1 50 78 90 2 25 126 72 74 70	..... ..... ..... ..... ..... ..... ..... ..... ..... .....	1,474 22

H. Johnstone.....	24 pounds garden seeds.....	4 00			9 00
do.....	24 bushels barley at \$1 50.....	\$36 00	35 bushels potatoes at \$1 25.....	\$45 00	81 00
A. Steinhauer.....	do.....	2 00	do.....	1 00	113 00
B. Sinclair.....	do.....	2 00	do.....	1 00	262 00
P. Erasmus.....	do.....	2 00	do.....	1 00	117 00
P. Apau.....	do.....	2 00	do.....	1 00	20 00
S. Bal head.....	do.....	2 00	do.....	1 00	10 00
Hudson Bay Company.....	do.....	2 00	do.....	1 00	91 00
John Little.....	do.....	1 50	do.....	1 00	22 50
S. Jackson.....	do.....	1 50	do.....	1 00	19 00
North-West Mounted Police.....	do.....	19	do.....	1 00	
H. B. Stenbauer.....	5 bushels wheat at 3 00.....	15 00	do.....	1 70	25 20
J. Mahocki.....	do.....	3 00	do.....	1 00	41 00
H. Johnstone.....	do.....	9 00	do.....	1 00	25 00
Hudson Bay Company.....	Seed grain.....	25	do.....	1 00	
do.....	do.....		do.....		1,010 29
do.....	Freighting implements and seed grain.....		do.....		442 59
do.....	do.....		do.....		210 45
Sundry persons.....	do.....		do.....		49 25
	do.....		do.....		2,551 28
	Total Expenditure.....				15,632 00
	Balance unexpended.....				4,804 00

L. VANKOUGHNET,  
Deputy Supt.-Gen. of Indian Affairs.

ROBERT SINCLAIR,  
Accountant, Indian Affairs.

DEPARTMENT OF THE INTERIOR,  
INDIAN BRANCH, OTTAWA, 30th June, 1878.

J.—INDIANS OF THE NORTH-WEST.

AUTHORITY FOR PAYMENT.	TO WHOM PAID.	SERVICE.	\$ cts.	\$ cts.	\$ cts.
Vote 163 part of Vote 32.....		PROVISIONS FOR INDIANS ASSEMBLED TO RECEIVE ANNUITIES UNDER TREATIES 4 AND 6.		16,400 00	18,400 00
		Legislative Appropriation for 1877-78.....			
		Supplementary Estimates.....			
		<i>Expenditure.</i>			
		49 lbs. tea.....	\$ 0 75		36 75
	Hudson Bay Company.....	754 do.....	0 80		603 20
	do.....	60 do.....	0 85		51 00
	do.....	895½ do.....	0 75		671 82
	do.....	544½ do.....	1 00		544 75
	do.....	3 do.....	0 87½		2 62
	North-West Mounted Police.....	65 do.....	0 52		33 80
	do.....	96½ do.....	0 71½		68 66
	do.....	38 do.....	0 71		26 91
	do.....	45½ do.....	0 84		38 01
	do.....	45 do.....	do		23 49
	A. P. Denholm.....	2,215 do.....	0 37		819 55
	Baker & Co.....	250 do.....	0 70		175 00
	E. Allen.....	2 do.....	1 25		2 50
	P. Ballantine.....	14 do.....	0 75		10 50
	North-West Mounted Police.....	7 lbs. coffee.....	0 28		1 96
	Hudson Bay Company.....	242 lbs. tobacco.....	0 80		193 60
	do.....	25 do.....	0 85		21 25
	do.....	74½ do.....	0 75		55 87
	do.....	102 do.....	0 75		76 50
	do.....	622 do.....	1 00		622 00
	do.....	3 do.....	0 87½		2 62
	A. P. Denholm.....	946 do.....	0 44		416 24
	do.....	930 do.....	0 42½		391 00
	Baker & Co.....	300 do.....	0 51		151 00

North-West Mounted Police	48 1/2	do	Average	0 78 1/2	377 99
do	7 1/2	do	do	0 81	87 55
do	290	do	do	0 76	220 41
do	3 dozen pipes	do	do	0 60	1 80
P. Ballantine	5 1/2 lbs. tobacco	do	do	1 00	5 50
Hudson Bay Company	1,284 1/2 lbs. sugar	do	do	0 25	321 12
do	2,150	do	do	0 30	647 70
do	299	do	do	0 37	110 63
do	267 1/2	do	do	0 40	107 00
North-West Mounted Police	8 1/4	do	Average	0 21	17 64
do	318	do	do	0 1 1/2	51 84
do	105 1/2	do	do	0 16	16 86
do	13 gallons syrup	do	do	1 30	19 50
J. H. Ashdown	3,179 lbs. sugar	do	do	0 13 1/2	437 06
Baker & Co.	300	do	do	0 16	48 00
E. Allen	6	do	do	0 25	1 50
P. Ballantine	13	do	do	0 30	3 90
North-West Mounted Police	8 1/2	do	Average	0 26 1/2	16 75
Hudson Bay Company	50,116 lbs. pemmican	do	do	0 11	5,512 76
do	1,031	do	do	0 15	154 65
do	17,574	do	do	0 17	2,987 58
do	3,129	do	do	0 18	563 22
do	2,711	do	do	0 20	542 20
North-West Mounted Police	50	do	Average	0 18	9 00
do	58	do	do	0 18	10 30
Hon. J. McKay	7,165	do	do	0 20	1,433 20
P. Ballantine	20	do	do	0 14	2 80
Hudson Bay Company	5,657 lbs. dried meat	do	do	0 12	672 81
North-West Mounted Police	1,658	do	do	0 08	132 64
do	29	do	do	0 07	2 03
Hudson Bay Company	7,867 lbs beef	do	do	0 12 1/2	920 88
do	7,139	do	do	0 12	856 68
R. Fuller	5,099	do	do	0 12 1/2	637 36
Hon. J. McKay	4,026	do	do	0 12 1/2	5,253 25
A. McKeuzie	23,160	do	do	0 06	1,389 90
Jas. Reid	2,491	do	do	0 12	299 92
Baker & Co.	7,980	do	do	0 07	558 60
North-West Mounted Police	14 1/2	do	Average	0 12	16 67
do	129	do	do	0 07 1/2	9 48
do	5 beef oxen	do	do	75 00	375 00
Hudson Bay Company					
Carried forward					29,862 86
					18,470 00

J.—INDIANS OF THE NORTH-WEST—Concluded.

AUTHORITY FOR PAYMENT.	TO WHOM PAID.	SERVICE.	\$ cts.	\$ cts.	\$ cts.
Vote 163 part of Yote 32.....		Brought forward.....	29,862 86		18,160 00
		PROVISIONS FOR INDIANS ASSEMBLED TO RECEIVE ANNUITIES UNDER TREATIES 4 AND 6—Concluded.			
		Expensiture—Concluded.			
		42 lbs. bacon.....	0 21½	9 06	
		57½ do.....	0 21	12 10	
		1,700 lbs. flour.....	0 06	102 00	
		30,200 do.....	0 09½	2,869 00	
		800 do.....	0 10	80 00	
		317 do.....	0 20	63 40	
		19,840 do.....	0 11½	2,232 00	
		5,094 do.....	0 12½	636 75	
		2,107 do.....	0 15	316 05	
		North-West Mounted Police.....			
		do.....	0 11	99 00	
		do.....	0 11	56 19	
		do.....	0 07½	13 31	
		do.....	0 08	13 02	
		do.....	0 031	2,195 20	
		do.....	0 07½	507 50	
		do.....	0 06	10 50	
		do.....	0 14½	184 07	
		do.....	0 14½	33 41	
		do.....	0 15	127 32	
		do.....	0 15	6 00	
		do.....	0 04	3 38	
		do.....	0 07½	1 16	
		do.....	0 10	10 00	
		do.....	0 10	3 72	
		do.....	0 10	20 00	
		do.....	0 10	29 23	
		do.....	0 06	40 06	
		do.....	0 10	219 56	
		do.....	0 10	20 00	
		do.....	0 10	29 23	
		do.....	0 06	40 06	
		do.....	0 10	219 56	
		do.....	0 10	20 00	

Vote 163 part of Yote 32.....

J. F. Mulligan .....	1,224 lbs. pemmican .....	0 14	146 82
Hudson Bay Company .....	Provisions .....		324 33
Mahoney & McDonald .....	do .....		26 98
do .....	1 sack pemmican .....		21 00
Sundry Persons .....	Packing, freighting, driving beef cattle, &c .....		38 94
	Total Expenditure .....		40,633 47
	Balance over expenditure .....		22,233 47

L. VANKOUGHNET,  
Deputy Supt.-Gen. of Indian Affairs.

ROBERT SINCLAIR,  
Accountant, Indian Affairs.

DEPARTMENT OF THE INTERIOR,  
INDIAN BRANCH, OTTAWA, 30th June, 1878.

K.—INDIANS OF THE NORTH-WEST.

AUTHORITY FOR PAYMENT.	TO WHOM PAID.	SERVICE.	\$	cts.	\$	cts.	\$	cts.
Vote 165.....		PROBABLE COST IN CONNECTION WITH NEW TREATIES.			60,000	00		
		<i>Expenditure.</i>						
	Department of State .....	Sundry supplies purchased by Inspector Crozier, of the North-West Mounted Police, for Indians at Forts Carleton and Pitt in 1876-78 .....	1,177	07			1,492	20
	do .....	Sundry supplies furnished from North-West Mounted Police Stores for non-treaty Indians at Forts McLeod, Walsh and Calgary in 1876-77.....	315	13			175	00
	J. Mulligan.....	Balance of an account due him for freighting supplies for Inspector Crozier.					500	00
	Rev. P. A. Lacombe.....	To meet his expenses in connection with the negotiation of Treaty No. 7.....					155	73
	Bank of Montreal.....	1 per cent. for transmitting \$62,292.08 to credit of J. G. Baker & Co. at New York, for Indian purposes.....						
	Baker & Co.....	1 per cent. on \$14,109 advanced to Treaty (No. 7) Commissioners at Fort McLeod for payment to Indians.....	141	09				
	do .....	2½ per cent. on \$46,435 delivered to Treaty Commissioners at Fort McLeod, having been forwarded at Messrs. Baker & Co.'s risk from New York.....	1,160	87				
	do .....	For freighting clothing, flags, medals, &c., sent from the Department, from Duluth to Fort McLeod.....	106	48				
	do .....	For freighting above from Fort McLeod to Blackfoot Crossing.....	36	00				
	do .....	For the following supplies, and transporting same, viz.:						
		30,874 lbs. flour, at 7½c.....	2,315	55				
		4,500 lbs. do at 12c.....	540	00				
		1,637 lbs. sugar, at 16c.....	265	12				
		307 lbs. do at 25c.....	76	75				
		935 lbs. tea, at 35c.....	327	25				
		112 lbs. do at 50c.....	56	00				
		878 lbs. tobacco, at 30c.....	263	40				
		210 lbs. do at 67c.....	140	70				
		36,331 lbs. beef, at 7c.....	2,543	17				
		10 kegs powder, at \$13.60.....	136	00				
		19 kegs do at 7.00.....	133	00				
		44 sacks bullets, at 4.00.....	176	00				
		1,000 cartridges.....	48	00				

11,000	do	at \$57.00	627 00
20,000	do	at 13.00	260 00
5 doz	Pipes, at	0.25	1 25
50 lbs.	Crackers, at	0.20	10 00
2 doz	Tin Cups, at	1.50	3 00
1 doz.	Sacks		3 00
1	Tent for a Council Room		30 00
Freighting	33,150 lbs., Fort McLeod to Blackfoot Crossing, at 1c.		331 50
do	do do		175 00
do	4,800 lbs., do		48 00
	For freighting clothing, flags, medals, &c., Sarnia to Duluth		10,074 13
			12 65
			611 43
	Hire and keep of horses, hire of carts, purchase of waggon, &c.		86 51
	Supplies for Commissioner and assistants		211 00
	Wages to servants and payments to Indian runners		54 00
	Sundry petty disbursements		982 94
T. H. Lash, Bandmaster	For services of band at treaty		50 00
J. St. Duval	Interpreter, for services during negotiations		30 00
J. L'Heureux	do do		53 00
J. Bird	do do		25 00
First payment to Indians of Treaty No. 7	10 Chiefs, \$25 each		250 00
	41 Minor Chiefs and Headmen, \$15 each		615 00
	4,877 Indians, \$12 each		58,524 00
	Total Expenditure		59,359 00
	Balance over expended		72,916 65
			12,916 65

L. VANKOUGHNET,  
Deputy Supt.-Gen. of Indian Affairs.

ROBERT SINCLAIR,  
Accountant, Indian Affairs.

DEPARTMENT OF THE INTERIOR,  
INDIAN BRANCH, OTTAWA, 30th June, 1878.



L---INDIANS OF THE NORTH-WEST.

AUTHORITY FOR PAYMENT.	TO WHOM PAID.	SERVICE.	\$ cts.	\$ cts.	\$ cts.
Vote 21.....		To provide for the purchase of seed-grain and other implements of husbandry, to be given to Bands of Sioux Indians in the neighbourhood of the Qu'Appelle Lakes.....			3,000 00
		EXPENDITURE.			
	Kenneth McKenzie.....	Provisions.....	148 12		
	do.....	Seed-grain.....	31 77		
	do.....	Ammunition.....	2 30		
	do.....	Rope, carts, sacks, &c.....	16 15	198 34	
	Hudson Bay Company.....	Provisions.....	38 00		
	do.....	Sixty-two bushels seed-potatoes, at \$1.60.....	99 20		
	do.....	Two bags.....	0 80	138 00	
	do.....	Supplies given to "Andaman's" Band from Turtle Mountains.....		52 54	
		Total expenditure.....			398 88
		Balance unexpended.....			2,611 12

ROBERT SINCLAIR,  
*Accountant, Indian Affairs.*

L. VANKOUGHNET,  
*Deputy Supt.-Gen. of Indian Affairs.*

DEPARTMENT OF THE INTERIOR,  
 INDIAN BRANCH, OTTAWA, 30th June, 1878.

M.—INDIANS OF THE NORTH-WEST.

AUTHORITY FOR PAYMENT.	TO WHOM PAID.	SERVICE.	\$	cts.	\$	cts.	\$	cts.
Vote 164, part of Vote 32.....		LEGISLATIVE APPROPRIATION FOR 1877-'78	17,000 00	589 98	17,589 98			38
		SALARIES AND OFFICE EXPENSES.						
		Legislative Appropriation for 1877-'78						
		do do						
		Supplementary						
		EXPENDITURE.						
	M. G. Dickieson.....	Superintendency Clerk and Agent, Treaty No. 6, salary 12 months, to 30th June, 1878	1,400 00					
	A. McDonald.....	Agent, Treaty No. 4, salary, 12 months, to 30th June, 1878	1,000 00					
	D. Hagerly, M.D.....	Medical Superintendent	1,400 00					
	Dr. Nevitt.....	do Officer	500 00					
	Dr. Miller.....	do do	500 00					
	D. Hagerly, M.D.....	Salary from 11th May to 30th June, 1877, 1 month and 20 days, at \$1,400	133 55					
	Hon. Thos. Howard.....	Clerk in Purveyor's Office, moiety of salary, for 12 months, ended 30th June, 1878	625 02					
	John Stevenson.....	Messenger, wages from 11th June to 21st July, 40 days at \$25 per month	33 34					
	School Teacher.....	At Lac la Biche and Ile la Cross, salary for 12 months, to 31st Dec., 1877	300 00					
	do	At St. Alberts, salary, 12 months, to 31st December, 1877	300 00					
	do	At Little Touchwood Hills, salary, 13 months, to 31st December, 1877	139 00					
	Manitoba Free Press.....	For Advertising and printing	106 87					
	do	do	145 85					
	Standard Printing Co.....	do	55 22					
	do	do	40 88					
	Montreal Printing and Publishing Co.....	do	29 40					
	North-West Transportation Co.....	Freight on Indian clothing, Sarnia to Duluth	11 01					
	Canadian Express Co.....	do	38 50					
	Hon James McKay.....	Freighting 49,447 lbs. supplies to various points	1,796 62					
	Red River Freight Co.....	Freight of Indian clothing, Duluth to Winnipeg	69 66					
		Carried forward	8,691 92	17,589 98				

M.—INDIANS OF THE NORTH-WEST—Concluded.

AUTHORITY FOR PAYMENT.	TO WHOM PAID.	SERVICE.	\$ cts.	\$ cts.	\$ cts.
Vote 164, part of Vote 32 .....					
		Brought forward .....			17,539 99
		EXPENDITURE—Concluded.			
	Gariand & Mutchmor.....	For 24 shirts for Chiefs, at \$1 75	42 00		
	do .....	114 do Headmen at 1 25.	142 50		
	S. & H. Borbridge.....	138 waist belts at 0 38	52 80		
	Bangs & Co. ....	24 hats for Chiefs at 1 75	42 00		
	do .....	114 do Headmen at 1 50	171 00		
	J. Metcalf.....	24 scarlet coats at 12 10	290 48		
	do .....	57 blue do at 10 00	570 00		
	A. Mowat & Son.....	57 do do at 10 00	570 00		
	Baker & Co., Ft. Walsh..	4 coats at 10 00	40 00		
	do .....	4 hats at 3 00	12 00		
	do .....	1 pair trousers	8 00		
	do .....	1 vest	3 00		
	North-West Telegraph Co.....			1,943 80	
	Post Office Department.....			507 49	
	S. & H. Borbridge.....			20 00	
	Bangs & Co. ....		44 00		
	Mowat & Co. ....		2 00		
	Hudson Bay Co. ....		4 00		
	International Hotel.....			452 25	
	Kew, Stobart & Co.....		14 40		
	Higgins, Young & Jackson		127 76		
	A. McDonald, Agent .....		187 56		
	Bank of Montreal.....		430 00		
	Baker & Co. ....		40 00		
	N.-W. Mounted Police.....		40 00		
	Bain & Blanchard.....		43 11		
	McTicken & Taylor.....		19 00		
	J. H. Ashdown.....		7 10		
	J. W. Winnett.....		29 33		
	Sundry Interpreters, Clerks and Messengers		16 50		
	Employed during annuity payments at various points within the North-West Superintendency.....				723 50

✓ D. Hagerly, M.D. ....	669 48
A. McDonald, Agent.....	649 00
M. G. Dickieson.....	1,236 78
W. Lennie.....	6 00
Sundry Persons.....	42 05
J. Van Rensselaer.....	6 00
J. M. Suherland.....	130 15
D. R. Seusenay.....	98 03
Red Phœnix.....	50 00
do	14 00
do	21 75
do	15 20
do	3 00
do	5 00
do	16 75
do	411 25
do	5 00
do	200 00
do	145 00
do	5 32
do	10 75
do	63 00
do	12 69
do	36 92
do	89 00
do	100 00
do	28 50
do	89 37
do	23 95
do	20 00
do	24 00
do	194 00
do	24 09
do	15 00
do	52 50
do	59 15
do	500 00
do	7,494 07
do	18,657 28
do	1,057 30

L. VANKOUGHNET,  
Deputy Supl.-Gen. of Indian Affairs.

ROBERT SINCLAIR,  
Accountant, Indian Affairs.  
DEPARTMENT OF THE INTERIOR,  
INDIAN BRANCH, OTTAWA, 30th June, 1878.

N.—INDIAN RESERVE SURVEYS IN MANITOBA AND NORTH-WEST TERRITORIES.

AUTHORITY FOR PAYMENT.	TO WHOM PAID	SERVICE.	\$ cts.	\$ cts.	\$ cts.
Vote 20 and part of Vote 32.....		To provide for such expenses as may be incurred in prosecuting the survey of Indian Reserves during the year.....		15,000 00	21,938 81
		<b>EXPENDITURE.</b>			
		For Survey of Reserves Nos. 77, 84, 86 and 87, Treaty 5.....	3,871 76		
	D. Sinclair, D.L.S.....	do 23 and 24, Treaty 3.....	1,599 50		
	Robert J. Ross, D.L.S.....	do 80, 81, 82, 85 and 88, Treaty 5.....	3,274 00		
	J. L. P. O'Hanly, D.L.S.....	do No. 9, Treaty No. 2.....	1,011 75		
	F. A. Martin, D.L.S.....	do Nos. 43, 44, 53, 54, 56, 58, 59, 60, 61 and 62, Treaty 4.....	3,700 49		
	Wm. Wagner, D.L.S.....	do 17, 18, 26 and 27, Treaty 3.....	5,386 31		
	A. J. Orickmore, D.L.S.....	Credit Cheque, No. 303, sent to A. H. Hitcher, Esq., Inspector of Surveys, to enable him to pay balance of account for surveys (Statements of these payments not yet received).....	3,095 00		21,938 81

ROBERT SINCLAIR,  
*Accountant, Indian Affairs.*

L. VANKOUGHNET,  
*Deputy Supt.-Gen. of Indian Affairs.*

DEPARTMENT OF THE INTERIOR,  
INDIAN BRANCH, OTTAWA, 30th June, 1878.

RETURN D.

STATEMENT showing the number of Acres of Indian Lands sold during the Year ended 30th June, 1878; the total amount of Purchase Money, and the quantity of surveyed surrendered Indian Lands remaining unsold at that date.

Towns or Townships.	Counties.	Number of Acres sold this year.	Amount.	Approximate Quantity remaining unsold.	Remarks.
			\$ cts.	Acres.	
Albemarle.....	Bruce.....	3,284	3,851 50	14,978	Some of these lands have been resumed by the Department, the conditions of sale not having been complied with which is the reason that in some cases there appears to have been more land sold during the current year than remained unsold last year.
Anabel.....	do.....	2,296	4,207 00	2,053	
Eastnor.....	do.....	5,974½	5,849 25	19,798½	
Lindsay.....	do.....	4,780	5,293 00	47,180	
St. Edmunds.....	do.....	600	655 00	55,586	
Town Plot of Hardwick...	do.....			1,100	
do Oliphant.....	do.....			476½	
do Adair.....	do.....			1,700	
do Southampton.....	do.....			336	
do Bury.....	do.....			1,768	
do Keppel.....	Grey.....	2,430	3,801 00	2,826	
do Wiarton.....	do.....	19½	624 00	104	
do Brooke.....	do.....				
Bidwell.....	District of Algoma.....	2,873	1,436 50	14,673	
Howland.....	do.....	3,400½	1,806 00	10,032½	
Sheguiandah.....	do.....	7,478	3,736 50	13,919	
Town Plot, Sheguiandah..	do.....			342	
Billings.....	do.....	6,294	3,122 00	15,657	
Assiginack.....	do.....	2,318	1,159 00	9,624	
Campbell.....	do.....	10,066	5,036 50	21,147	
Carnarvon.....	do.....	6,577	3,319 50	21,562	
Allan.....	do.....	2,422	1,216 00	13,819	
Tehkumah.....	do.....	1,448	724 00	12,862	
Carried forward.....					

## RETURN D.—Continued

STATEMENT showing the number of Acres of Indian Lands sold during the Year ended 30th June, 1878, &amp;c.—Continued.

Towns or Townships.	Counties.	Number of Acres sold this year.	Amount.		Approximate Quantity remaining unsold.  Acres.	Remarks.
			\$	cts.		
Brought forward.....						
Sandfield.....	District of Algoma	3,593	1,796	50	7,036	
Gordon .....	do	3,191	1,595	00	6,170	
Town Plot, Shaftesbury...	do	5 $\frac{35}{100}$	267	50	264 $\frac{65}{100}$	
McDonald .....	do	558	279	00	10,255 $\frac{1}{2}$	
Garden River Reserve.....	do				16,380 $\frac{1}{2}$	
Aweres.....	do				9,742	
Fenwick .....	do	640 $\frac{1}{2}$	320	25	15,648 $\frac{1}{2}$	
Kars .....	do				10,181	
Pennefather. ....	do				17,534	
Dennis .....	do				3,509	
Herrick.....	do				7,106	
Fisher .....	do				9,102	
Tilley.....	do				12,091	
Haviland.....	do				3,821	
Vankoughnet.....	do				11,850	
Tupper.....	do				2,800	
Archibald .....	do				2,900	
Laird .....	do	2,675 $\frac{3}{20}$	1,809	41	20,224 $\frac{17}{20}$	
Meredith.....	do	140	70	00	9,219	
Gore Bay.....	do	220 $\frac{45}{100}$	1,589	40	107 $\frac{15}{100}$	
Town Plot of Manitowa- ning .....	do	134 $\frac{55}{100}$	859	50	138 $\frac{35}{100}$	
Neebing.....	Thunder Bay.....				3,778	
Sarnia .....	Lambton .....					
Anderdon .....	Essex .....					
Seneca.....	Haldimand .....				509	
Cayuga .....	do .....				931	
Carried forward.....						

## RETURN D.—Continued.

STATEMENT showing the number of Acres of Indian Lands sold during the Year ended 30th June, 1878, &c.—Continued.

Towns or Townships.	Countries.	Number of Acres sold this year.	Amount.		Approximate Quantity remaining unsold.	Remarks.
			\$	cts.		
Brought forward.....					Acres.	
Brantford.....	Brant.....					
Tyendinaga.....	Hastings.....				3,725	
Port Credit.....						
Rama.....						
Village of Azoff.....						
Ouiatchouan.....					13,280	
Viger.....					250	
Thorah Island.....					134	
Huycks Island, in River Trent.....						
Islands in the River St. Lawrence.....		65 $\frac{2}{10}$	131	80		
Totals.....		73,363 $\frac{37}{100}$	54,555	11	480,171 $\frac{3}{100}$	

N.B.—The difference which exists between this and last year in the total amount of sales, when compared with the quantity of land sold in each of those years, is due to the fact that much of the land sold this year was not situated in townships, where land commanded as high a price as some of those sold during the preceding year were situated in.

L. VANKOUGHNET,  
Deputy Supt.-Gen. of Indian Affairs.

J. V. DEBOUCHERVILLE,  
Clerk in charge of Land Sales.

DEPARTMENT OF THE INTERIOR,  
INDIAN BRANCH, OTTAWA, 30th June, 1878.



RETURN  
AGRICULTURAL and

PROVINCES.	Indian Population Resident on the Reserve.	Quantity of Land Cultivated.	New Land made in 1877-78.	Houses or Huts.	Barns or Stables.	Ploughs.	Harrows.	Waggons.	Fanning Mills.	Threshing Mills.	Other Implements.	Horses.	Cows.
Ontario.....	15,711	46,063	.....	2,808	1,413	1,130	707	837	280	23	3,976	2,407	1,466
Quebec.....	4,852	8,089	.....	717	387	216	177	266	12	14	1,132	589	617
Nova Scotia.....	2,116	1,256	46	351	46	20	23	11	.....	.....	178	30	55
New Brunswick..	1,449	922	593	312	79	6	6	13	.....	.....	510	39	25
P. E. Island.....	306	72	3	56	2	3	1	2	.....	.....	.....	.....	3
Manitoba.....	6,687	1,933	67	790	361	112	105	140	2	.....	365	325	307
British Columbia	5,427	.....	.....	.....	.....	35	.....	.....	.....	.....	.....	288	878
Totals.....	36,548	58,335	709	5,034	2,288	2,522	1,019	1,269	294	37	6,161	3,678	4,951

NOTE.—The figures in respect to fish, furs and other industries, in British Columbia, are extracted from Province. The fish taken, although the product of Indian labor, are exported by the owners of the

MARTIN BENSON,  
*Clerk of Statistics.*

DEPARTMENT OF THE INTERIOR,  
INDIAN BRANCH, OTTAWA, 30th June, 1878.

E.

Industrial Statistics.

Sheep.	Pigs.	Oxen.	Young Stock.	Corn.	Wheat.	Oats.	Peas.	Barley.	Rye.	Buckwheat.	Potatoes.	Hay.	Fish—Value.	Fur—Value.	Other Industries.
				bush.	bush.	bush.	bush.	bush.	bush.	bush.	bush.	tons.	\$	\$	\$
1,480	5,133	479	2,143	59,272	46,354	65,929	13,619	26,965	2,138	1,613	85,537	4,904	25,431	25,890	29,203
97	970	20	475	7,919	3,460	13,433	4,096	421	86	1,416	16,864	1,859	435	1,546	19,585
67	45	29	79	59	309	710	43	48	.....	74	8,500	1,038	2,750	2,726	6,165
10	121	.....	42	87	215	3,845	36	.....	.....	900	8,130	198	732	1,446	310
.....	5	1	3	5	40	6	1	.....	.....	.....	1,107	5	137	.....	1,458
.....	43	218	236	385	3,864	25	1	361	.....	.....	11,482	2,007	35,243	16,856	1,700
74	1,072	117	99	.....	.....	.....	.....	.....	.....	.....	.....	.....	418,246	204,455	6,056
1,728	7,389	864	3,077	65,727	54,242	73,948	17,796	27,795	2,224	4,003	131,620	10,011	482,974	252,919	64,417

the table of Exports for that Province, and have no reference to the value of products used in the Canneries who employ the Indians.

L. VANKOUGHNET,  
Deputy Supt.-Gen. of Indian Affairs.

RETURN

STATEMENT of the condition of the various Indian Schools

Indian Reserve or Band to which Schools belong.	Names of Teachers.	Salary per annum.	From what Fund paid.
<b>ONTARIO.</b>			
		<b>\$ cts.</b>	
Caradoc Reserve, Mount Elgin Institution.....	Thos. Gosford.....		Wesleyan Missionary Society and Indian Funds.....
Moravians of the Thames.....	Daniel Edwards.....	300 00	Indian Funds.....
Wyandotts of Anderdon.....	Marceline Cuietier.....	250 00	do .....
Chippewas of Sarua.....	Wilson Jacobs.....	300 00	do and Wesleyan Missionary Society.....
do of Kettle Point.....	James Ashquabi.....	250 00	Indian Funds.....
do and Pottawattamies of Walpole Island.....	James Cameron.....	300 00	do and Church of England.....
do and Munsees of the Thames..	George Fisher.....	200 00	Indian Funds.....
do do .....	Joseph Fisher.....	200 00	do .....
do of the Thames .....	Lucius Henry.....	200 00	do .....
do of Saugeen.....	Louisa George.....	200 00	do .....
do do .....	Pollie Christo.....	200 00	Methodist Missionary Society..
do of Cape Croker.....	Bella Simpson.....	200 00	Indian Funds .....
do do .....	Wm. A. Elias.....	200 00	do .....
do do .....	Peter Elliott.....	200 00	do .....
do do .....	David Craddock.....	200 00	do .....
do of Rama.....	Maggie Armstrong.....	200 00	do and Methodist Mis-
do of Beausoleil.....	Allan Salt .....	260 00	sionary Society..... Methodist Missionary Society and Indian Funds.....
do of Georgina Island.....	Charles Grylls.....	250 00	Methodist Church of Canada..
Mississaguas of Mud Lake.....	Alfred McCue.....	400 00	New England Company.....
do Rise Lake.....	A. H. Andrews.....	180 00	Methodist Mission Fund.....
do Alnwick.....	Jennie Williams.....	200 00	do do .....
Mohawks of the Bay of Quinté.....	Wm. S. Wilson.....	370 00	Indian Fund and Whites.....
do do .....	Lydia Hill .....	150 00	do do .....
do do .....	Martha Gothard.....	150 00	do do .....
<i>Six Nations Indians.</i>			
1. Mohawk Institution, Brantford ....	{ Wm. Butcher..... Jennie Fisher.....	400 00 200 00	} New England Company .....

F.

in the Dominion, for the Year ended 30th June, 1878.

Number of Boys on Roll.	Number of Girls on Roll.	Total number of Pupils on Roll.	Average Daily Attendance.	Number Reading and Spelling.	Number Writing.	Number learning Arithmetic.	Number learning Grammar.	Number learning Geography.	Number learning History.	Number using Indian Books.	Number learning Music and Singing.	Number learning Drawing.	Number learning Scripture.	Number learning English.	Remarks.
24	14	38	37	38	38	38	26	27	.....	.....	.....	.....	38	.....	An Indian industrial and boarding school; \$60 per annum each for 30 pupils contributed from Indian Funds. The boys are taught trades and farming; the girls sewing, housework, &c.
18	16	34	16	34	34	30	12	29	.....	.....	.....	.....	.....	.....	Singing, composition and drawing.
11	11	22	11	22	22	22	13	15	5	.....	.....	.....	.....	10	French, composition.
25	15	40	15	38	32	26	2	5	.....	.....	.....	.....	.....	.....	Dictation.
12	7	19	13	19	17	12	.....	3	.....	.....	.....	.....	.....	.....	
23	10	33	15	31	22	10	1	2	.....	.....	.....	.....	.....	.....	Dictation, needlework and drawing.
15	8	23	8	23	19	11	1	1	.....	.....	.....	.....	.....	.....	
22	13	35	18	35	27	20	5	9	3	.....	.....	.....	.....	.....	
20	7	27	11	27	10	9	.....	8	.....	.....	.....	.....	.....	.....	
18	12	30	11	30	22	10	6	6	.....	.....	.....	.....	.....	.....	
10	15	25	11	25	22	16	7	7	.....	.....	.....	.....	.....	.....	
27	19	46	11	46	30	23	19	19	1	.....	.....	.....	.....	.....	
23	14	37	17	24	24	15	4	7	.....	.....	.....	.....	.....	.....	
15	9	24	7	24	23	16	6	2	.....	.....	.....	.....	.....	.....	
9	5	14	4	14	13	12	4	7	.....	.....	.....	.....	.....	.....	
25	17	42	14	42	41	30	11	17	.....	.....	42	.....	.....	.....	
11	9	21	8	21	16	8	4	4	.....	.....	.....	.....	.....	.....	
12	11	23	9	23	22	15	5	4	.....	.....	.....	.....	.....	.....	
10	10	20	14	19	13	9	2	3	.....	.....	.....	.....	.....	.....	
14	12	26	12	26	26	23	11	6	6	.....	.....	.....	.....	.....	
14	10	24	11	24	24	24	13	1	.....	.....	.....	.....	.....	.....	
9	8	17	8	17	17	4	4	4	.....	.....	.....	.....	.....	.....	
7	10	17	5	17	17	8	1	3	.....	.....	.....	.....	.....	.....	
20	16	36	19	36	31	20	2	4	.....	.....	.....	.....	.....	.....	
44	46	90	90	90	90	90	90	31	.....	.....	.....	.....	.....	.....	All resident in the Institution. Industrial training twice a week. The boys do farmwork; the girls, housework, etc.

RETURN

STATEMENT of the condition of the various Indian Schools

Indian Reserve or Band to which Schools belong.	Names of Teachers.	Salary per annum.	From what Fund paid.
<i>ONTARIO—Concluded.</i>			
<i>Six Nations Indians—Concluded.</i>		\$ cts.	
2. On Grand River.....	Henrietta Crombie.....	250 00	New England Co. and Indian Funds.....
3. do .....	Elijah Powless.....	250 00	do do .....
4. do .....	Frank Muchmore.....	250 00	do do .....
5. do .....	Susan K. Hill.....	275 00	do do .....
6. do .....	E. Beulah Howells.....	250 00	do do .....
7. do .....	Christina John.....	250 00	do do .....
8. do .....	George Hill.....	250 00	do do .....
9. do .....	Maria Gordon.....	250 00	do do .....
10. do .....	Jemima Stewart .....	250 00	do do .....
11. do .....	Catherine Bennett .....	150 00	Voluntary and do .....
12. do .....	Amelia E. Chechock ...	250 00	Wesleyan Society and Indian Funds.....
13. do .....	Benjamin Carpenter....	250 00	do do .....
Mississaguas of the Credit, on Grand River.....	{ A. A. Jones..... William E. Elliott....	200 00 200 00	} Funds of the Band..... {
<i>Manitoulin Island Indians.</i>			
West Bay.....	Mary Wabunga .....	150 00	Indian Funds .....
Sheguiendah.....	Fred Frost .....	400 00	do and Church of England .....
Wikwemikong, boys.....	Joachim Kachnedst..	300 00	Indian Funds.....
do girls.....	Lucy Haessly.....	300 00	do .....
Wikwemikongsing.....	P. Kijigobenesé.....	200 00	do .....
Shesheguanang.....	Moses Megwas .....	Unknown.	Congregational Society.....
Atchitawaiganing.....	John Johnson.....	200 00	Indian Funds.....
South Bay.....	Sophie Lamorandiere..	.....	.....
Fort William, boys.....	J. Bietner.....	150 00	Indian Funds.....
do girls.....	Mary Paullins and Miss Whit.....	150 00	do .....
Garden River, Protestant.....	Peter Row .....	200 00	do .....
do Roman Catholic .....	Christoph'r Kottsmann .....	200 00	do .....
Golden Lake.....	Jennie Ryan .....	150 00	do .....
Mattawa.....	Sister Meline .....	100 00	do .....
Shingwauk Home.....	E. F. Wilson.....	.....	Indian Funds and subscription

F.—Continued.

in the Dominion, for the Year ended 30th June, 1878.

Number of Boys on Roll.	Number of Girls on Roll.	Total number of Pupils on Roll.	Average Daily Attendance.	Number Reading and Spelling.	Number Writing.	Number learning Arithmetic.	Number learning Grammar.	Number learning Geography.	Number learning History.	Number using Indian Books.	Number learning Music and Singing.	Number learning Drawing.	Number learning Scripture.	Remarks.
28	23	51	25	51	51	42	13	13	17					Scripture, needlework.
25	25	50	21	50	24	29	3	5						do singing & catechism.
24	16	39	19	40	24	20	9	14						do dictation.
15	17	31	17	31	27	14	5	6						do do & catechism.
18	11	29	14	26	29	22	4	4	3					do do do
21	13	30	12	35	21	13	7	5						do do do
20	15	35	16	35	20	19	10	8						do tables & recitations.
21	23	44	14	44	23	22	3	3						do dictation, sewing and catechism.
24	18	42	20	42	38	33	16	14	10	8				do do do
8	7	15	7	13	6	5								do catechism.
15	9	24	11	24	21	23	3	3						Dictation.
15	15	30	9	29	15	14		2						
12	14	26	10	26	14	8	3	7						
15	8	23	10	23	18	14	6	5						
28	19	47	22	24	32	8	2	1						Catechism and singing.
18	14	32	12	32	32	32	11	11						do scripture, singing and English.
61		61	26	27	53	39	9	12						Industrial arts taught, besides singing, drawing, English and catechism.
	79	79	42	61	63	54	5							Scripture, sewing, spinning and weaving.
28	19	47	28	36	42	47								Catchism and English.
16	15	31	28	31	31	31								
24	5	29	11	24	26	12								
23	6	29	17	19	22									
29		29	18	20	17	13	7	6						Catechism, singing and recitation.
	31	31	25	27	28	12	10	11	9	5				Catechism, scripture and French.
26	16	42	18	33	25	22	8	11						do
15	11	26	18	26	26	20								do
7	8	15	8	14	11	8								
24	21	45	26	45	44	19	13	12	4					
47	2	49	45	49	49	7	29	5						An Industrial School, all resident, \$60 per annum each for 20 pupils contributed from Indian Funds. The boys learn farming, trades, printing, &c.; the girls learn sewing, laundry, baking, &c.
		1824												

RETURN

STATEMENT of the condition of the various Indian Schools

Indian Reserve or Band to which Schools belong.	Names of Teachers.	Salary per Annum.	From what Fund paid.
<i>Quebec.</i>		\$ cts.	
Micmacs, Restigouche..... do Maria..... Iroquois, Caughnawaga..... Abenakis, St. Francis.....	Mary D. Onellet..... Louise Couture..... Mr. and Mrs. Fletcher.. H. L. Masta.....	150 00 150 00 350 00 250 00	Indian Funds..... do..... do..... Indian Funds and Colonial Church Society.....
Temiscamague.....	Sister Ste. Antoine.....	100 00	Indian Funds.....
Iroquois, St. Regis..... River Desert Indians..... Montagnais, Lake St. John..... Iroquois, Cornwall Island..... Abenakis, St. Francis.....	Mary Bannon..... Sister Maria de Saveur..... Madame Otis..... Charlotte Karonanoron..... Jos. Laurant.....	200 00 150 00 150 00 200 00 150 00	do..... do..... Indian Funds..... do..... do and Prov'l Fund
<b>NOVA SCOTIA.</b>			
Bear River, Digby..... Whycocomah..... Eskasonie.....	T. C. Kerr..... John McEachen..... Rory McNeill.....	300 00 200 00 200 00	Indian Funds..... do..... do.....
<b>PRINCE EDWARD ISLAND.</b>			
Lennox Island.....	Martin Francis.....	240 00	Indian Funds.....
<b>MANITOBA.</b>			
Ebb and Flow Lake..... Fort Alexander.....	Jas. Asham..... Jules Tarboret.....		
Black River..... Roseau River..... Little Saskatchewan..... Fairford Reserve..... North St. Peters..... South St. Peters..... St. Martin's Band..... Bernes River..... Rossville.....	Jane Hope..... A. McPherson..... Benjamin Thom..... Wm. Anderson..... Jas. Settee, jun..... R. Jefferson..... David Marsden..... John Semmens..... Clementine Battye.....	\$12 per capita per annum on daily average attendance up to \$300.	From Indian Funds. Some also receive salaries from other sources.

F.—Continued.

in the Dominion, for the Year ended 30th June, 1878.

No. of Boys on Roll.	No. of Girls on Roll.	Total number of Pupils on Roll.	Average Daily Attendance.	Number Reading & Spelling.	Number Writing.	Number learning Arithmetic.	Number learning Grammar.	Number learning Geography.	Number learning History.	Number using Indian Books.	Number learning Music and Singing.	Number learning Drawing.	Number learning Scripture.	Number learning English.	Remarks.
17	11	28	13	28	20	2									Catechism.
18	13	31	19	31	31	3	3	3	3		1		2		Catechism and dictation.
54	19	73	33	57	60	32	11	12							Scripture and dictation.
		22	11	20	15	11	5	9	22	21					
12	14	28	18	28	16	16	2	12		8	18				English, French and com- position.
13	11	24	13	24	18	7	2	2							Dictation.
15	15	30	20	30	28	21									Catechism.
16	13	29	8	29	26	9	6	1		10					
14	10	30	23	30	28	25	2	1							
13	12	25	15	25	19	10	9	8	5						Catechism.
		320													
23	19	42	24	42	23	20	3								
14	10	24	12	24	14	8		6							
17	16	33	10	33	26	10	3	4							Dismissed by Agent.
		99													
15	12	27	12	28	14	4		2							
		27													
11	13	24	22	24	9	6	2	2							
17	17	34	24	34	29	25	6	4							Dictation, singing, Latin— 12.
5	12	18	11	16	10										
9	6	15	6	15	11	11		2							
10	9	19	11	13											
17	8	25	21	25	17	9	5	5							
27	20	50	37	49	19	9	9	9	6						
23	16	44	22	44	44	20									
20	7	27	24	27	18										
12	6	18	11	18	10	7									
27	26	53	26												
		327													



RETURN

STATEMENT of the condition of the various Indian Schools

Indian Reserve or Band to which Schools belong.	Names of Teachers.	Salary per Annum.	From what Fund paid.
<b>NORTH-WEST TERRITORIES.</b>			
l'Isle à la Crosse.....	Seur Langelier .....	\$12 per capita per annum on daily average attendance up to \$300.	From Indian Funds. Some also receive salaries from other sources.
Little Touchwood Hills.....	J. R. Setteé.....		
St. Albert .....	Sisters Blanchet and Geneviève .....		
Lac la Biche.....	Sisters St. Michael and Carroll.....		
Assippi Mission .....	Rev. Mr. and Mrs. Hines.....		
<b>BRITISH COLUMBIA.</b>			
Metlakahla .....	Henry Schutt.....	500 00	Indian Funds and New England Society.
Nanaimo, Nass River.....	A. E. Green and W.	\$12 per capita per annum on the average daily attendance up to \$300.	From Indian Funds. Salaries and contributions are also given from other sources.
do .....	H. Price.....		
Fort Simpson.....	C. S. Knott.....		
St. Mary's Mission, boys.....	Rev. T. Carion .....		
do girls.....	Sis. St. Mary Lumena		
Queen Charlotte Island .....	W. H. Collison .....		
Upper Nass River .....	Patrick Russ.....		
Kinkoleth .....	Mr. and Mrs. Tomlinson .....		

F.—Continued.

in the Dominion, for the Year ended 30th June, 1878.

	Number of Boys on Roll.	Number of Girls on Roll.	Total number of Pupils on Roll.	Average Daily Attendance.	Number Reading and Spelling.	Number Writing.	Number learning Arithmetic.	Number learning Grammar.	Number learning Geography.	Number learning History.	Number using Indian Books.	Number learning Music and Singing.	Number learning Drawing.	Number learning Scripture.	Number learning English.	Remarks.
17	28	45	43	45	43	25	11	15	26							Boarding school; cate-
8	11	19	8	18	18	14										chism, sewing, singing.
39	21	60	46	60	28	30	15	6	12							do do
7	22	29	22	25	26	12	11	5				25				Singing.
11	10	21	10	20	21	21	4									Dictation.
		174														
105	69	174	72	174	174	174	44									An industrial school; boys
27	18	45	38	45	45	12										taught trades and farm-
71	54	125	53	125	113	58										ing; girls, housewifery,
77		77	70	77	75	73	34	47								&c.; Scripture, singing,
																dictation.
																do do
																Dictation.
																An industrial and board-
																ing school—boys taught
																trades, farming, &c.;
																girls, sewing, spinning,
																knitting, &c.
	89	89	81	89	89	73	48	23								Scripture, singing.
		60	33	60	60	3										
	28	41	37	41	41	41										
22	15	37	13	37	32	32	15									Scripture and translation.
		648														

RETURN E—Statement of the condition of the various Indian Schools, &c.—*Continued.*

RECAPITULATION.

Provinces.	Number of Pupils.
Ontario.....	1,824
Quebec.....	320
Nova Scotia.....	99
Prince Edward Island.....	27
Manitoba.....	327
North West Territories.....	174
British Columbia.....	648
Total.....	3,419

L. VANKOUGHNET,  
*Deputy Supt.-Gen. of Indian Affairs.*

M. BENSON,  
*Clerk of Statistics.*

DEPARTMENT OF THE INTERIOR,  
INDIAN BRANCH,  
OTTAWA, 30th June, 1878.

## RETURN G.

CENSUS RETURN OF RESIDENT AND NOMADIC INDIANS IN THE DOMINION OF CANADA,  
BY PROVINCES.

## PROVINCE OF ONTARIO.

Oneidas of the Thames.....	590
Chippewas and Munsees of the Thames.....	584
Moravians of the Thames.....	275
Wyandotts of Anderdon.....	73
Chippewas, Ottawas and Pottawattamies of Walpole Island.....	769
do and Pottawattamies of Sarnia.....	511
do of Snake Island.....	132
do of Rama.....	267
do of Beausoliel.....	290
do of Saugeen.....	339
do of Nawash.....	397
Mississaguas of Scugog, Rice and Mud Lakes.....	305
do of Alnwick.....	212
Mohawks of Bay of Quinté.....	866
Odawahs and Pottawattamies of Christian Island.....	40
Six Nations on Grand River.....	3,152
Mississaguas of The Credit.....	211
Chippewas of Lake Superior.....	1,947
do of Lake Huron.....	1,458
do and Ottawas of Manitoulin Island.....	1,585
Algonquins of Carleton.....	21
do Lanark.....	30
do Renfrew.....	176
do Nippissing.....	387
Chippewas of N. E. shore of Georgian Bay.....	553
do Garden River.....	648
	<hr/>
	15,731

## PROVINCE OF QUEBEC.

Iroquois of Caugnawaga.....	1,609
do of St. Régis.....	990
do and Algonquins of Lake of Two Mountains.....	458
Abenakis of St. Francis.....	361
do Becancour.....	53
Montagnais of Lake St. John.....	246
Amelicites of Viger.....	108
Micmacs of Maria.....	65
do Restigouche.....	451
do Gaspé Basin.....	84
Hurons of Lorette.....	290

## RETURN G—Province of Quebec—Continued.

Algonquins of River Désert.....	551
do Temiscamangue.....	198
do South Pontiac.....	68
do North Pontiac.....	520
do Hull.....	66
do Piccanock.....	21
do Hincks.....	15
do Eagle River.....	22
do Kensington.....	1
do Bouchette.....	9
do Tomasine.....	196
do Kakebougua.....	92
do Bowman.....	8
do Lievres, West.....	54
do Mulgrave.....	20
do Ste. Angelique.....	3
do Petite Nation.....	1
do Ripon.....	4
do North Nation.....	44
do Argenteuil.....	6
do Doncaster.....	8
do Montcalm.....	12
do Joliette.....	5
do Berthier.....	6
do Richelieu.....	3
do Iberville.....	7
do Mississquoi.....	8
do Shefford.....	1
do Maskinonge.....	20
do St Maurice.....	184
do Stanstead.....	2
do Compton.....	5
do Portneuf.....	3
Montagnais of Moisie, Seven Islands, Betsiamits and Mingan.....	1,309
Naskapees of the Lower St. Lawrence.....	2,860
Total.....	10,947

## PROVINCE OF NOVA SCOTIA.

Micmacs of Annapolis, Digby, Yarmouth and Shelburne...	360
do Lunenburg, Kings and Queens.....	270
do Halifax, Hants, Cumberland and Colchester..	368
do Pictou.....	206
do Guysborough and Antigonish.....	152
do Richmond.....	265
do Inverness and Victoria.....	251
do Cape Breton.....	250
Total.....	2,122

RETURN G—*Continued*—PROVINCE OF NEW BRUNSWICK.

Micmacs of Restigouche.....	23
do Gloucester.....	30
do Northumberland.....	440
do Kent.....	275
do Westmoreland.....	145
Amelicités of Madawaska.....	34
do Victoria.....	128
do Carleton.....	22
do Charlotte.....	76
do St. Johns.....	36
do York, Sunbury, Kings and Queens.....	240
Total.....	<u>1,459</u>

## PROVINCE OF PRINCE EDWARD ISLAND.

Micmacs.....	<u>306</u>
--------------	------------

## PROVINCE OF PRINCE EDWARD ISLAND AND NORTH-WEST TERRITORIES.

Chippewas and Crees of Treaty No. 1.....	3,618
do do 2.....	962
do and Saulteaux do 3.....	2,627
do Saulteaux and Crees, Treaty No. 4.....	5,963
do do do do 5.....	2,952
Plain and Wood Crees do 6.....	4,954
Blackfeet do 7.....	4,928
Resident Sioux, Qu'Appelle, Oak Lake and Turtle Mountain.	1,200
Total.....	<u>27,204</u>

## ATHABASKA DISTRICT.

Plain Crees.....	18
Wood do.....	809
Assiniboines.....	13
Chipwayans.....	1,303
Beavers.....	255
Total.....	<u>2,398</u>

## PROVINCE OF BRITISH COLUMBIA.

Victoria Superintendency:—	
Aht Nation.....	3,500
Bella Coolas.....	2,500
Comox.....	88
Cowichans.....	3,066
Hydahs.....	2,500
Quackewlths.....	3,500
Tsimsheans.....	5,000
Fraser River Superintendency.....	15,000
Total.....	<u>35,154</u>

RETURN G—*Continued*—RUPERT'S LAND.

Rupert's House .....	400
Fort George.....	450
Little Whale River.....	50
Nitchequon .....	180
Osnaburgh .....	350
Martin's Falls .....	300
Long Lake.....	250
New Brunswick.....	150
Albany.....	100
Mallamgamingue .....	120
Abittibi .....	450
Flying Post .....	100
Mettachewan .....	50
Long Portage Post.....	50
Moose Factory .....	420
Waswanapee .....	200
Mistasine .....	150
	<hr/>
	4,370

## RECAPITULATION.

Ontario .....	15,731
Quebec .....	10,947
Nova Scotia .....	2,122
New Brunswick.....	1,459
Prince Edward Island.....	306
Manitoba and North-West Territories.....	27,204
Athabaska District .....	2,398
British Columbia.....	35,153
Rupert's Land.....	4,370
	<hr/>
Total. ....	99,690

L. VANKOUGHNET,  
*Deputy Supt.-General of Indian Affairs.*

M. BENSON,  
*Statistical Clerk.*

DEPARTMENT OF THE INTERIOR,  
INDIAN BRANCH,  
OTTAWA, 30th June, 1878.

---



---

## PART II.

---

### REPORT

OF THE

# SURVEYOR GENERAL

OF

## DOMINION LANDS.

---

### APPENDICES TO THE ABOVE.

	PAGE
1. Report of Donald Codd, Esq., Agent of Dominion Lands, Winnipeg .....	11
2. Report of A. H. Whitcher, Esq., Inspector of Surveys.....	12
3. Report of A. L. Russell, Esq., D.L.S., Special Survey.....	13
4. Report of W. F. King, Esq., D.L.S., do .....	15
5. Report of J. S. Dennis, jun., Esq., D.L.S., do .....	21
6. Report of Montague Aldous, Esq., D.L.S., do .....	25
7. Schedules, &c. :—	
A. Shewing transactions of Dominion Lands Office at Winnipeg, and Branches .. .	26
B. Shewing new Settlements formed.....	27
C. Statement of Sales, Ordnance and Admiralty Lands ..	28
D. Shewing Localities on account of which Moneys received, Ordnance and Admiralty Lands.	29
E. Shewing Receipts and Deposits, Ordnance and Admiralty Lands.....	30
F. Shewing amounts due and remaining unpaid, &c., Ordnance and Admiralty Lands.....	32
G. List of Ledgers in use containing Accounts of Purchasers and Tenants, Ordnance and Admiralty Lands.....	33
H. Shewing Indian Reserves surveyed.....	34
J. Shewing Surveyors employed in Dominion Land and Indian Reserve Surveys.....	35
8. Examples of Astronomical Observations, &c., &c., Special Survey.....	36
9. Map illustrating operations of Special Survey.	

---





PART II.  
OF  
**REPORT OF DEPARTMENT OF INTERIOR.**

DEPARTMENT OF THE INTERIOR,  
DOMINION LANDS OFFICE,  
OTTAWA, 31st December, 1878.

To the Right Honorable  
SIR JOHN A. MACDONALD, K.C.B.,  
Minister of the Interior.

SIR,—I have the honor to submit the following Report upon the work of this Branch of your Department during the twelve months ending the 31st October last, also, where the information might be useful or of interest, on the operations of its outside service, to the close of the calendar year.

I.—DOMINION LANDS.

The returns of the Central Office in Winnipeg, and its local branches in other parts of Manitoba, show a marked increase in the rate of settlement and purchase of these lands.

This is no doubt largely due to the bountiful harvest of the preceding year, also to the continuous absence of what had for a time been the plague of the country and the deterring phantom of the would-be immigrant, the devastating swarm of grasshoppers; lastly and principally to the near prospect of the now consummated connection, by railway, of Manitoba with the rest of the civilized parts of this continent, and with the sea.

The land entries made by Mr. Donald Codd and his sub agents, were, for the year, to 31st October, as follows:—

	ENTRIES.	ACRES.
Homesteads.....	1,753	280,022
Pre-emptions.....	1,588	251,192
Forest Tree Culture.....	35	5,598
Sales.....	605	132,345
Military bounty warrants.....	84	13,434
Totals.....	4,065	682,591

The comparative statement for the past four years will stand thus:—

	ENTRIES.	ACRES.
1875 .....	1,021	163,277
1876 .....	807	153,535
1877 .....	2,283	400,423
1878 .....	4,065	682,591

The receipts since the last Annual Report are as follows:—

Homestead fees.....	\$ 17,320 00
Tree culture entries.....	340 00
Sales for cash.....	4,384 88
Sales for scrip.....	127,797 74
Military Bounty and North-West Mounted Police Warrants.....	13,433 60
Total .....	\$163,276 22

## HALF-BREED GRANT.

During the year Mr. Codd has investigated and reported on the land claims of 133 Half-breed children, on the scrip claims of 175 Half-Breed heads of families, and on those of 34 Original White Settlers.

He has also transmitted Allotment Returns of the Half-breed children's lands for the Parishes of St. Agathe and St. Charles.

The Parishes for which allotments are still remaining to be made, are :

St. Boniface.  
St. Norbert.  
St. Vital.  
St. François Xavier.  
Baie St. Paul.

## SCRIP

was issued to the following extent: To Half-breed heads of families and their heirs, 138 claims, equal in all to \$22,080.

In commutation of Hay and Common right, 158 claims, equal to \$25,718.16. To Original White Settlers, 79 claims, equal to \$14,740.

## PATENTS

have been issued as follows:--

Half-Breed allotment.....	1,079
Sales.....	614
Homesteads.....	157
Military bounty grants.....	101
Right of Common, or Hay Privilege.....	141
Under Manitoba Act and 38 Vic., cap. 52 .....	261
Wood lots.....	4

Total number of Patents issued..... 2,357

## CORRESPONDENCE.

The correspondence of the Branch, for the year, is as follows:—

	RECEIVED.	SENT.
Head Office.....	4,642	6,009
Dominion Lands Office, Winnipeg.....	3,388	3,619
Totals.....	8,030	9,628
	RECEIVED.	SENT.
Corresponding totals for 1877.....	6,189	7,640
Increase.....	1,841	1,988

The letters, reports, &c., of the Head Office, during the past twelve months, comprise 7,995 folios.

The usual reports from the Agent of Dominion Lands at Winnipeg, and from the Inspector of Surveys, with their respective accompanying schedules, are hereto appended.

## II.—ORDNANCE AND ADMIRALTY LANDS.

The transactions connected with these lands formerly occupied a separate Branch of your Department, but, owing to its being lately merged in that of Dominion Lands, it becomes my duty to include them in the Report upon the latter for the current year.

It has been, hitherto, the practice, in annual Reports, to bring the amount of their business down to the close of the fiscal year, the 30th June.

The advantages of continuing so to do are obvious, and are of greater weight than that of the mere uniformity which would be gained by changing to the later date fixed, for special and strong reasons, for the rest of the Branch.

The appended schedules, prepared and signed by Mr. William Mills, the accountant, are similar to those previously annually given. They consist of:—

C. A statement of sales during the year, amounting to \$9,683.29.

D. Showing the receipts from Ordnance lands for the year, arranged according to the locality in which they are situated, the total amount being \$46,255.62.

E. Is the same as the preceding but in more detail, and arranged in the form of an abstract of monthly returns or cash accounts, dividing the receipts into the three classes of Principal, Rent or Interest and Fees, and indicating in what branch of the Bank of Montreal the moneys were deposited.

F. Is a statement of indebtedness of purchasers or lessees of Ordnance lands, arranged according to locality, and indicating amounts overdue remaining unpaid, and those not yet fallen due, but to be paid to complete purchases. The former being classified according to their nature, as capital instalments, or as interests and rents. The totals would stand thus:—

Payments in arrear.....	\$86,915 55
Payments not yet due.....	123,942 71

Total indebtedness of purchasers or lessees.... \$210,858 26

G. A statement of the number of open accounts connected with Ordnance properties, arranged according to the locality of these.

The correspondence for the year includes:—

Letters received .....	600
Letters sent.....	800
Patents issued.....	92
Assignments registered.....	81

Total ..... 1,573

On the exhibit given by the foregoing schedules, I would remark that, compared with that of the previous year, there is a great decrease of annual revenue, but it is not to be attributed altogether to the only apparently corresponding increase in the amount of arrears. Extensive new sales were made in 1877, on account of which considerable payments in cash were received, whilst the sales in 1878 were but few in number and small in amount.

The principal lands remaining that may be sold are, in Ontario, at Kingston and Prescott; and, in the Province of Quebec, at Montreal, Quebec, St. Johns, South River, Blairfindie and Sorel, besides small lots scattered throughout both Provinces.

Respecting the arrears, it is to be stated that the existing widely spread commercial depression made it difficult to collect even the comparatively small revenue of the year.

In the past, during the efficient supervision of these lands by their late Commissioner, Lieut.-Col. W. F. Coffin, it was considered not desirable to exercise undue pressure upon purchasers or tenants, and this policy under the approval of the Ministers of this Department has been continued. As he has already pointed out, in the cases of purchase the instalments paid have enhanced the proportionate value of ultimate security and therefore there is no risk of loss.

Whilst thus permitting, on so unexceptionable security, a certain laxity in payment of instalments, it might be expedient to use more stringent measures in securing regular return of interests thereon, and of leasehold rentals. The payment of these, though it may involve a hardship of the same kind, is one very different in degree from that of also paying capital sums.

Though customary, no reference is made here to the history of the past business of the Ordnance and Admiralty Lands, as it can be readily obtained from the exhaustive reports of their late Commissioner, and also that it is not presumed that any compilation from these could be either as useful or as interesting as the originals.

The lands belonging to the estate of the Bank of Upper Canada came, with the Ordnance lands, under the supervision of this Branch of your Department.

The receipts from them for the last fiscal year, were \$2,396.36.

One sale was made, being that of Lot 21, Concession 5, Uxbridge, for the sum of \$2,000.

### III.—SURVEYS.

In the Province of Manitoba and the territory adjoining, the large area that had been, in previous years, laid out in townships and sub-divided, has, so far, met the principal need of progressive occupation.

But various settlements springing up in remoter parts of the North-West Territory, it has become necessary to provide for these by making detached surveys of townships and of river frontage farm lots.

The Special Survey of Standard Meridians and Parallels has been prosecuted for some seasons past, with the view of affording that connection with existing surveys by which this could be effected, and of ensuring that townships so laid out, in advance of the extension of the general system, in localities widely apart, and remote from the main body of surveyed Dominion lands, should be found to have been correctly placed in the position they should occupy in that system when it is extended from Manitoba to British Columbia.

The Survey in question also embraces the determination of the latitudes and longitudes of points throughout the territory, for the purposes of contributing to its correct cartography and as a check on measured surveys.

The accompanying map—forming part of its returns for the current season—is intended to indicate its operations up to the present time. They extend from the International Boundary, at West Lynne, on the Red River, following its valley and those of the Assiniboine and Saskatchewan Rivers to a point about 15 miles westward of Fort Edmonton, or nearly at the 115th meridian of west longitude from Greenwich, and approaching the base of the Rocky Mountains.

Besides its purely surveying results, much information respecting the character of the country traversed has necessarily been obtained. Of that which is most important it will be here endeavoured to briefly convey the outline.

It will be needless to quote anything relating to the Province of Manitoba, or the surveyed townships adjoining it, as, through the advance of settlement, both have become familiarly known, and also that, already, published reports of subdivision surveys have given of each township a detailed description.

In addition to the concurrent testimony of previous explorers and travellers, the information gained would indicate in that part of the North-West Territory westward of already surveyed townships, and on the line of this Survey, three principal fertile and extensive areas that would most invite future occupation.

The first of these, proceeding westward, lies along the Second Meridian and Ninth and Tenth Base lines, embracing the country between the Big Cut Arm Creek and the Assiniboine, that about the Fishing and Quill Lakes, and includes the arable lands of the Touchwood Hills and in their vicinity.

As a moderate estimate of the extent of good land seen, it may be affirmed that two hundred townships of first-class character for farming purposes could be laid out in this tract. They would possess an excellent loamy soil; good water would be found in amply sufficient quantity and frequency, and wood enough for fencing and fuel, though not generally so for building.

The estimated number of townships is that which would correspond to the area of the more fertile land of which, in this part of its course, the Survey is cognizant; but it by no means follows that such would be its limits. This fertile tract may

extend, and in all probability does extend, with greater or less continuity, northward, across the valley of the Red Deer River, to the second of the three areas stated above; the only change in character that is likely to be found being the favourable one, in that region, of having a better wood supply.

The next stretch of country that would prove preferentially attractive to immigrants is that extending from Fort Carlton, on the north branch of the Saskatchewan, eastward, down the south side of that river, across its South Branch, thence continuing eastward down the valley of the Root River, another of its tributaries, and along the northern slopes of the Pasquia Hills.

The number of townships that might safely be estimated in this tract would be sixty.

As in the previous case, the estimate is, in all probability, a small fraction of the total of continuous area fit for settlement. Its extension to the eastward is not definitely known to others than Indian traders and hunters, but it is likely that, on the side next the Saskatchewan, it is limited by the lagoons and marshes south of Cumberland, whilst, on the side next the Pasquia Hills, the dry and arable land may extend along their northern base, and round them in such wise as to join that which will no doubt be found to occur on their southern slope, and in the valley of the Red Deer River.

The nucleus, or, as it is not central, the commencement of growth, of the occupation of this region, is already well established in the thriving settlement of Prince Albert.

In the character of its surface it closely resembles the area first mentioned, with the difference, in its favour, that there is a much greater proportion of woodland, whilst there is still a sufficiency of prairie to offer all the facilities for carrying on agricultural operations that the term prairie usually implies. It also possesses some special advantages of communication and transport by the waters of the Saskatchewan and its branches.

Proceeding westward from the division last described, the information obtained on the Survey and on its attendant side explorations, or trail routes, would definitely sustain the generally expressed opinion of previous travellers, that the valley of the Saskatchewan, especially on its southern side, becomes less fertile west of the meridian of Fort Carlton.

It would appear that for an interval of at least four degrees of longitude, the soil is generally much lighter than that of the areas defined above. Excellent land may, however, be found here and there throughout the whole of this interval, witness that on the slopes of the Eagle Hills south of Battleford, or the alluvial plain west of Carlton, between the Green Lake Trail and the Thickwood Hills, or again, that some miles east of Fort Pitt and North of the trail from Carlton. These examples indicate that a better knowledge of this part of the country may bring to light many places equally attractive for settlement to those in the more uniformly fertile regions that lie both to the eastward and the westward of it.

Passing onward to the next and last of the three divisions specified, it may be defined as the Upper Saskatchewan, or Victoria and Edmonton District, and as including the more immediate valley of the Saskatchewan from Saddle Lake, on the trail along the northern side, nearly to the 115th meridian of longitude. It is roughly estimated that two hundred and forty townships could be located in this district.

The greater part of this area will, for agricultural occupation, compare favourably with those already described; good water is abundant, and the proportion of wood to prairie is such that there is ample supply of the former for all purposes.

In this section of the country, spruce of large size, and well adapted for building-timber or for making sawn lumber, is frequently met with. The soil is such that, in various places, those engaged in the Survey were inclined to rate it as equal in fertility to the rich alluvium of the Manitoba prairies.

Of subdivision surveys under contract but ten townships were given out during the past season.

Owing to their remoteness, and the comparatively late date at which their survey was commenced, the full returns and reports for them have not yet been received. They are all in the vicinity of Prince Albert Settlement, and in the country included between the north and south branches of the Saskatchewan, near their junction.

The survey of the river frontage lots in that settlement, and also of the similar lots for half the settlement of St. Laurent on the South Branch, was effected.

The demarcation of the boundaries of the Province of Manitoba was completed this year, sixty-eight miles of their course that, at the date of the last report of this Branch, remained to be surveyed, having been established and marked in the field.

The survey, in that Province, of certain roads, under the Act 39th Victoria, cap. 20, has also been prosecuted during the past season. The surveyor entrusted with this duty reports 193 miles as having been completed.

Reports of the different sections of the Special Survey, and notes on the methods of observation and examples of computation of the same, are appended.

Meetings of the Board of Examiners for Dominion Land Surveyors, were held in November and May at Ottawa, and in June at Winnipeg.

The following gentlemen passed at these the requisite examinations, and received commissions and higher certificates :—

W. A. Ashe, Quebec, P.Q.	T. Fawcett, Uffington, Ont.
C. P. Ayles, Aylmer, P.Q.	J. Galbraith, Toronto, Ont.
E. Deville, Quebec, P.Q.	O. J. Klotz, Berlin, Ont.
J. S. Dennis, Jr., Ottawa, Ont.	A. P. Patrick, Ottawa, Ont.
W. F. Thompson, Cannington, Ont.	

Commissions were received by :

M. Aldous, Ottawa, Ont.	T. Drummond, Winnipeg, Man.
F. Berlinguet, Quebec, P.Q.	J. W. Vaughan, " "
G. B. Bemister, Winnipeg, Man.	R. A. Wilson, " "

Several candidates passed the preliminary examination.

I have the honour to be, Sir,

Your obedient servant,

LINDSAY RUSSELL,

*Surveyor-General.*

PART II.

---

APPENDICES

TO THE

REPORT OF THE SURVEYOR GENERAL,

OF

DOMINION LANDS.

---

---





---

**APPENDIX No. 1.**


---

DOMINION LANDS OFFICE,  
WINNIPEG, 30th October, 1878.

SIR,—I have the honor to submit the following report of the business of this office and branches at Portage la Prairie, Emerson, Little Saskatchewan and Pembina Mountains, for the past year.

It affords me satisfaction to be able to report that the number of settlers who came into this Province during the past year was very much greater than in any previous year, so much so that I may safely say that, at least, twelve thousand have been added to our population and not only has the number of settlers been greater, but the proportion of those having sufficient means to insure success has been greater than in former years, and the result has been that, with very few exceptions, those settling upon lands during the year express themselves well satisfied with the country and with their future prospects.

On reference to the schedule marked A, accompanying this report, it will be seen that the total amount of lands taken up during the past season, has been 682,591 acres, as against 400,424 acres last year; of this amount 280,022 acres were taken up as free grants under the Homestead law, and 256,791 acres entered as either Pre-emptions or Forest Tree claims, representing a total of 336,813 acres entered for actual settlement, thus leaving only 145,778 acres as having been purchased by cash or scrip or by location of warrants, &c.

I have again to report a large increase in the correspondence of this office, the number of letters sent having been 2243, exclusive of the very large numbers of letters replied to by printed forms. Over 10,000 pamphlets and maps have also been distributed during the past year. The number of letters received was 2,668.

The investigation of claims preferred to Half-breed grants and scrip, has continued to entail a large amount of work, but I hope that almost all claims of this nature have now been disposed of.

During the past year the lands set apart for the children of Half-breeds for four of the parishes have been finally allotted to them and another parish is now in process of being drawn. I trust that this work will be finally completed by the end of the year or very shortly afterwards.

Only 35 claims have been taken up under the provision of the Act 39 Vic., chap. 19. I think it would be advantageous to encourage this class of entry by reducing the number of acres required to be cultivated and planted in trees each year.

I have been unable to acquire any information regarding the progress of the Icelandic Colony at Lake Winnipeg. No entries have been made by them or on their behalf.

The schedule marked B shows the new settlements which have been formed during the past year.

I have the honor to be, Sir,  
Your obedient servant,

DONALD CODD,  
*Agent of Dominion Lands.*

The Surveyor General  
of Dominion Lands,  
Ottawa.

---

**APPENDIX No. 2.**


---

SURVEYS OFFICE, DOMINION LANDS,  
WINNIPEG, MANITOBA, 31st October, 1878.

SIR,—I have the honor to submit the following report of surveys, and of the business of this office, for the year ending at this date.

The greater portion of the field operations during the past season having been under the immediate charge of the Assistant-Surveyor-General, my report will necessarily be brief.

The survey of the township lines to complete the north and east boundaries of the Province—as defined in the Act 40 Vic., chap. 6—was effected during the past winter. Eighty-eight miles of township outlines were run in this survey, and, in connection therewith, a traverse survey (about 89 miles) was made of a portion of the Winnipeg River, and of part of the south-easterly shore of Lake Winnipeg.

The roads leading from Headingley to the south-west corner of the Province, and from Winnipeg south to the International Boundary, and easterly to Oak Point—being portions of the “old trails or travelled roads” referred to in the Act 39 Vic., chap. 20—in all about 200 miles—have been surveyed, but the surveyor entrusted with this service having been obliged to discontinue his work on account of unfavorable weather, the survey of the road on the east side of the Red River, from St. Peters to the International Boundary, was not effected.

A schedule of Indian Reserve surveys is herewith enclosed.

*Surveys Office.*

During the year, 265 applications for letters patent, under the Manitoba Act, have been received, and 187 have been recommended for patent, making the total number recommended, to date, 1,493. A large number of claims are still awaiting further evidence.

Most of the conflicting claims which had been referred to the Commissioner appointed under the Act, 38 Vic., chap. 53, have been reported upon by him, and the remainder of the advertised cases will probably be disposed of before the end of the year.

The following shows the correspondence of the office during the year:—

Letters received.....	720
Letters sent.....	1,376

I have the honor to be, Sir,  
Your obedient servant,

A. H. WHITCHER,  
*Inspector of Surveys.*

The Surveyor-General  
of Dominion Lands,  
Ottawa.

### APPENDIX No. 3.

WINNIPEG, 23rd November, 1878.

SIR,—I have the honor to submit the following annual report of the operations of the Special Survey party, Section 1, under my charge during the past season.

Having received your instructions, I proceeded at once to Winnipeg, organized the party and procured new outfit, transport animals, &c., the equipment of last year being divided among Sections 3 and 4.

The party left Winnipeg on the 6th June, arriving at Prince Albert on the 6th July. Taking advantage of the slow rate of travel of my carts, I made a detour by the Rapids of the Assiniboine River, Ellice, Qu'Appelle and the Mission at Touchwood Hills, in order that I might speak advisedly, from personal observation, in comparing other places in the North-West with the fertile Saskatchewan Valley.

Having a smaller party than formerly, and working much of the time in timber and impeded by ponds and river crossings, one hundred and thirty-three (133) miles of line was the most that could be effected in time at disposal.

A great part of the season's work was preparing the way for the immediate sub-division of the Saskatchewan settled districts.

Some time was consumed running a portion of the boundaries of the Indian Reserve, south-east of Prince Albert, contiguous to our work.

As will be seen on reference to my preliminary report and plan, mailed to you on the 21st ult., settlement is extending towards LaCorne and south-west thereof, and I would suggest the sub-division of several townships there, next year, to encourage settlement as well as prevent complications arising from conflicting claims.

A large area of promising land would be developed by the extension of the Twelfth Base Line (and its lateral meridian exterior) easterly from the Third Principal Meridian. This would take in that portion of the Carrot River country already settled on, explored by myself, on my homeward trip, this fall.

#### *Description of Country.*

Excepting a small portion of land broken by numerous ponds, and a sandy strip east of the Forks of the Saskatchewan Rivers, estimated by me at about ten per cent. in all, the whole region through which our operations extended, from the Third Principal Meridian eastward for sixty miles, with a breadth of twenty miles, is admirably adapted to agricultural and pastoral purposes. The whole of this strip is well watered with streams and ponds, and has a fair share of rather small sized poplar. The smallness of the timber is owing to the frequent fires which overrun this region.

The land to the south-east of Prince Albert Settlement, across the south branch of the Saskatchewan, is superior in many respects to that lying between the two branches, which is rather rolling, light in places, and broken by ponds, whereas that to the east and south has gentle slopes and a uniformly excellent soil of about eight to ten inches of dark rich loam, underlaid by a not too stiff clay.

A large sample, dug at random, of this soil, shewing a vertical section of two feet, is herewith forwarded, as visible proof of its excellence. A further evidence of the capability of the soil was given by the wheat crop, specimens of which, collected from a small settlement about ten miles south-west of La Corne, unfortunately became damaged on the journey in.

During the six years I have spent in surveys in various parts of Manitoba and the North-West, I have never seen greater luxuriance of growth than that here, nor do I consider the soil of that Province, which is frequently a stiff clay, as inviting to the farmer as the more friable soil of this section.

Except along the main streams, where spruce, tamarac and jack pine are met with, very little timber suitable for building purposes is to be found, although a sufficiency for fencing exists almost everywhere. A large quantity of the best wood along the main Saskatchewan River is annually culled out for the Hudson's Bay Company's steamboats.

Already settlers are taking up land at the "Forks," and east and south thereof, in view of the possibility of future railway facilities in addition to the means of communication afforded by the Saskatchewan.

*Instruments, &c.*

The work during the past season was principally along Correction lines. The usual method of careful azimuths and check chainage with two chains of unequal lengths was carried out.

I would like to make mention here of the working of the new line transit, built, under your personal supervision, last year, by Messrs. Troughton & Simms, London, England.

A season's experience enables me to pronounce it, to be for a Canadian surveyor, more effective and less liable to derangement than any of the numerous instruments which have come under my notice.

The probable error of an observation by any one careful set up of the new instrument did not exceed five seconds, it frequently reached as high as twenty seconds in reading *horizontal* angles with the well constructed instruments of the pattern used in previous years, made by the same makers.

A specimen observation is herewith appended.

Accompanying the reports are the following :—

1. Map, 20 miles to inch, illustrating all operations of the Special Survey to present time
2. General map, scale 6 miles to inch.
3.     do           35           do

I have the honor to be, Sir,

Your obedient servant,

ALEX. L. RUSSELL, D.L.S.,

*In charge of Section 1, Special Survey.*

LINDSAY RUSSELL, Esq.,  
Surveyor-General,  
Ottawa.

## APPENDIX No. 4.

OTTAWA, 16th January, 1879.

SIR,—I have the honor to present the following report of the operations of Section No. 2 of the Special Survey, under my charge.

I left Ottawa on the 18th June, 1877, and arriving in Winnipeg on the 29th, I was engaged there in organizing my party until the 11th July, on which date we started for the west.

When after a tedious and difficult journey over roads rendered almost impassable by the excessive rains during the month of June, we reached the Forks of the Saskatchewan trail, we found Mr. A. L. Russell's line (the 10th Base), and followed it up to his camp in order to observe for latitude at a point on the Third Principal Meridian. We arrived there on the 17th August. On account of cloudy weather twelve days were necessary to complete observations, which gave 27 feet as the probable error of the resulting latitude of the Astronomical Station.

On 30th August we broke camp and started west; we crossed the South Saskatchewan at Gabriel's Crossing and took the main trail to Battleford, round the Elbow and north of the Eagle Hills. Passing Battleford, we took the telegraph trail to Edmonton. This trail may be said to skirt along the northern limit of the plain country, passing through a country mostly sandy and gravelly and with but little water, but also through some rather extensive stretches of good land, well wooded and watered. The first of these occurs about twenty-five miles west of Battleford and extends several miles, after which water becomes scarce, and finally a wide stretch of plain occurs, covered with buffalo grass. Near Grizzly Bear Creek, about one hundred miles from Battleford, we again get into a tract of forty miles or more of good soil, rolling country with wooded hills and innumerable lakes. Another good tract occurs as we approach the Beaver Hills, 175 miles from Battleford. Going through this fertile stretch we reach Hay Lakes, at a distance of about 195 miles from Battleford. At this point we leave the telegraph line, to go northward to Edmonton. The Beaver Hill fertile region, however, appears to run a long way west of Hay Lakes, probably to the edge of the forest, and to the south-west it runs to Battle River, to join the fertile belt which runs along the upper part of that river.

The Hay Lakes lie in latitude  $53^{\circ} 11'$  and in longitude by C. P. R.  $30^{\circ} 50''$  east of Fort Edmonton, the distance from that place being about 33 miles by the trail. On this trail, seven miles from Hay Lakes, we enter thick bush, in which spruce may occasionally be seen, as well as a few spruce and tamarac muskegs, a sign of the proximity of the forest. This bush extends nine or ten miles along the trail. Crossing the "White Mud River," a small creek sixteen miles from Fort Edmonton, we enter a beautiful fertile tract, a gently rolling country with numerous clumps of poplar and frequent lakes. This extends to the Saskatchewan River at Fort Edmonton. We arrived there on the 22nd September and camped west of the Fort on the hill overlooking the river. Here I set up the large instrument and observed for latitude. Owing to a heavy snow storm and subsequent cloudy weather, I did not complete the observations until several days had passed. Eight pairs gave a probable error of sixteen feet. The station is marked by a hub driven in at the point, and by a post, similar to a township corner post, firmly planted about two feet to the south of it.

During the journey out, according to your instructions, I had painted finger posts planted at the following points on the Winnipeg and Battleford trail:—

(1.) Near Shoal Lake, (Mounted Police Station) to indicate the trail to Fort Pelly and Swan River Barracks.

(2.) On north side of the Qu'Appelle River, beyond Fort Ellice, to shew the trail to Fort Pelly.

(3.) On the Pheasant Plain, at the point where the trail from Fort Pelly to Fort Qu'Appelle crosses the main trail.

(4.) Near Touchwood Hills' Trading Post, to mark the trail to Fort Qu'Appelle.

(5.) At the "Forks of the trail" (now called Humboldt) where the trails separate going to the various ferries on the South Saskatchewan River.

(6.) On Gabriel's trail (*i. e.*, the more southerly of these trails, and the one usually taken by those going to Battleford) at the telegraph line, at which point branches off a new trail crossing the South Branch at the telegraph line crossing. This new trail, although much the shortest to Battleford, is little travelled on account of the scarcity of water.

(7.) On the hill west of Gabriels', where there are two posts, one to indicate the trail turning off to Carlton, the other at the separation from the Battleford trail of the trail running south to Cypress Hills, &c.

(8.) In the valley of Eagle Creek, at the junction of the plain and river trails to Battleford.

After the completion of the Edmonton observation, some delay was caused by the non-arrival of the freighter bringing the supplies for the party, and by the difficulty of procuring men to work on the line, the Big Lake half-breeds being then absent for the fall fishing at Lake St. Anne and White Lake. Finally, having procured but four men, I started work on the line on 11th October. The first thing necessary was to run a meridian north from the Astronomical Station to the latitude of the 14th Base, a distance of about  $4\frac{1}{2}$  miles. This done, I turned off a chord of the parallel west on the proper azimuth to strike the 114th Meridian at the same latitude (that of the 14th Base). This chord was to be nearly 13 miles in length (this being calculated from the C. P. R. longitude of Fort Edmonton). But after running about 7 miles, the line struck Big Lake (or Lake St. Albert) in its widest part, apparently five or six miles across to firm ground. The last two or three miles being in thick bush, I went back  $2\frac{1}{2}$  miles and ran another meridian north to clear the lake. This meridian, about the third mile, struck the Sturgeon River in the middle of the large settlement of St Albert's. At a point  $3\frac{3}{4}$  miles north of the chord, being then clear of the Sturgeon River valley, I turned west on another chord which reached the 114th Meridian in  $8\frac{1}{2}$  miles.

Having in this manner located the meridian, which would be the Fifth Principal Meridian, I ran it north to the 14th Correction Line and south to a point  $3\frac{1}{2}$  miles south of the 14th Base, the last half mile lying on the "Stony Plain" (Prairie des Assineboines). Returning to the 14th Base, I ran a chord east on the proper azimuth to meet the first chord, cutting the line out down to the shore of the lake. I then ran west on the 14th Base to the end of one township. Having done this, I discharged the additional men I had hired for the line work, and after having made a traverse of Big Lake and of part of the Upper Sturgeon River, and completed the first chord by chaining it across the ice of Big Lake, we returned to winter quarters in the Hudson's Bay Company's house, in the settlement of St Alberts, on the 18th December.

The total number of miles run was  $51\frac{1}{2}$ ; the traverses afterwards made of the settlements of Edmonton and Big Lake were tied to the above lines. The lines were as follows:—The "first meridian" running north  $4\frac{1}{2}$  miles from the Astronomical Station; the "first chord" running west 13 miles to the 114th Meridian of which the first five miles were through a more or less open country, the next two through thick poplar and spruce bush with numerous windfalls, and the remaining six across Big Lake and the swamp at the western extremity of it. The next is the "second meridian,"  $3\frac{3}{4}$  miles long, running for two miles through heavy bush, and for the rest of the distance through a mainly open country in the valley of the Sturgeon River. Then there is the "second chord" running through a tolerably flat country for  $8\frac{1}{2}$  miles to the 114th Meridian.

The 114th Meridian runs through a flat country drained by the Upper Sturgeon River and by the Rosebud River, which flows into the western end of Big Lake. Between this latter river, which is a few chains south of the 14th Base, and the Upper

Sturgeon River, which is crossed by the meridian about  $7\frac{1}{2}$  miles north of the base, the country is nearly all good prairie land, with many clumps of poplar, &c. North of the Sturgeon River the country is open and the soil is not so good. South of the base the line runs through muskegs for nearly three miles, when, emerging from the valley of the Rosebud River, the Stony Plain is reached, which is, notwithstanding its misleading name, a very fertile region many miles wide. It is bounded on the north by a strip of large spruces.

The 14th Base, leaving the Rosebud River to the south, runs into the Rosebud Hills, in which also there are many localities exhibiting good soil.

These township lines are defined by posts marked in the usual way, but no mounds are built, the work having been done in winter. The other lines are marked by posts every half mile.

After our arrival in winter quarters, the remainder of December and January was devoted to office work, such as the compilation of returns of the astronomical observations and the field notes of the lines run, &c.

During February we traversed Big Lake Settlement, and I began making a plan of it, in order to be able to understand the conflicting claims which in that settlement are exceedingly complicated.

At the end of February, in accordance with your instructions, I went to Hay Lakes to take observations (in conjunction with your own at Winnipeg or Swan River) to determine the longitude of that place. As you are aware, I waited at Hay Lakes for over a month without being able to effect our object; but in the interval I made an exploratory trip to Battle River Settlement, seventeen miles distant towards the south-east. The telegraph line between Battleford and Hay Lakes having been in a great part destroyed by an extensive prairie fire in the latter days of March, rendered a longitude determination hopeless for many weeks at least. In the early part of April I sent in to Edmonton to obtain transport to bring the party back to the settlements. Owing to the running of the ice in the Saskatchewan River, which was just breaking up, the carts from Fort Edmonton could not cross the river for several days, but after we had been many days waiting, they arrived, and we reached Big Lake again on the 20th April. We forded the Saskatchewan River at Fort Edmonton, so low was the water after the extremely mild and snowless winter.

I spent a week in completing the plan of Big Lake Settlement, and in collecting information with regard to disputed claims. I then set to work to traverse as much of Edmonton Settlement as I could, mindful that, as I was instructed to reach Winnipeg by the 1st July, it would be necessary to start from Edmonton not long after the 1st May, unless advised otherwise in the meantime. The mail arrived on the 30th April with no instructions. I concluded, however, to continue the Edmonton traverse and await the next mail, due in three weeks.

The Edmonton Settlement extends along the Saskatchewan about eight miles, principally on the north bank, although a few settlers have taken up claims on the south side of the river. There are also several settlers along the trail from Edmonton to Big Lake. The soil throughout this Edmonton Settlement is excellent, and there is plenty of wood everywhere, while there is good pasturage a few miles away from the river.

In the middle of this month I visited Lake St. Anne, which is about 45 miles west of Fort Edmonton. It is the source of the Sturgeon River, which flows through Big Lake and empties into the Saskatchewan River 24 miles below Fort Edmonton. There is an old settlement here, but as there is an abundance of whitefish in the lake the people do but little farming. The country is all thickly wooded and the soil is very good, some small clearings on the shore of the lake yielding large crops of good wheat, barley and potatoes. There is a water-mill here, but it is on a stream of insufficient size.

I returned from Lake St. Anne the evening that the mail arrived. As it brought no new instructions, it was necessary to prepare to start for Winnipeg. I might mention here that on this date (20th May) I received two tele-



grams from Ottawa and Winnipeg, of dates 30th March and 2nd of April respectively.

On the 25th May we started on the trail *via* Hay Lakes and the telegraph line. Having gone over a hundred miles, we met the repairer of the telegraph line rebuilding the portion burnt down in the prairie fire of 29th March. He attached an instrument to the wire, and after a day's delay, handed me your message, telling me to return to Edmonton and survey the other settlements on the Saskatchewan River, this being in reply to a message previously sent by me, by mail, to Battleford, informing you of my intention to return. Accordingly we turned back, and arrived again at Edmonton on 6th June.

Our time up to the 19th June was taken up in finishing the traverse of Edmonton settlement, and in traversing the "Lower Settlement," five miles from the Fort, down the river. On the 20th we went on to Fort Saskatchewan.

Considering it desirable that the longitude of these important settlements should be obtained as closely as possible, and seeing that the carrying of the chronometer in a boat down the Saskatchewan River was the most practicable method, I procured a small skiff for that purpose. Using it, I made a micrometer traverse of the river for about eight miles in front of the whole settlement of Edmonton. The camp at the Lower Settlement, five miles from the Fort, being connected with the meridian north from the Astronomical Station by a traverse, was made the initial point of the longitude survey, and observations for time were taken there on the 17th of June. On the 20th the chronometer was taken in the boat to Fort Saskatchewan.

The settlement here is chiefly on the north side of the river, opposite the Fort. The soil is very fertile, and the settlers have large fields under cultivation. They have a water mill, just built, on the Sturgeon River, about eight miles north from the settlement, in the centre of a most fertile, though at present unoccupied, tract of land. A few miles north of this there is a large extent of fine spruce bush in the vicinity of Egg Lake, from which a large amount of building timber is procured for the use of the Mission at St. Alberts. The Fort Saskatchewan tract of good land extends southerly across the Saskatchewan to the Beaver Hills, and easterly across the Sturgeon River as far as Vermillion Creek, 14 miles.

Having finished the traverse of Fort Saskatchewan Settlement, we started on the 28th June to go to Victoria. We lost some days in looking for a strayed horse the search for which I was at last compelled to abandon.

Mr. Checkley, accompanied by Mr. Dennis, took charge of the chronometer and proceeded in the skiff down the river, taking by the way the observations for longitude, while I went overland with the remainder of the party. We arrived at Victoria on the 30th June.

There is merely a small settlement here, on a flat point on the north side of the river valley, and comparatively little land is cultivated. The soil is lighter than that of Edmonton, but gives good crops. It is heavier further back from the river. A strip of good land of many miles in width, extends all the way from Edmonton to Saddle Lake, 38 miles by the trail east of Victoria, a total distance of 110 miles by the trail. All this strip is excellent arable land with the exception of 14 miles between Vermillion Creek, 36 miles west of Victoria, and Sucker Creek, 22 miles west of Victoria, which 14 miles is sandy soil, covered principally with Banksian pines. East of Saddle Lake the soil becomes sandier, as we go south-east towards Pitt and Battleford.

Having traversed Victoria Settlement, we left that place on 6th July, and arrived at Fort Pitt on 13th. Here there was no settlement to survey, but I set up the large instrument and observed the latitude. The weather was bad, and it took ten days to get seven pairs of stars. These were all taken by Talcott's method, and gave 19 feet as the probable error of the resulting latitude. Having marked the station by a small post, near the Saskatchewan, S.S.E. of Fort Pitt, we started on the 24th to go to Carlton. We arrived at Fort Carlton on 31st July.

Our next work was to proceed, in accordance with instructions you handed me on our meeting at Prince Albert, to establish block outlines south of that settlement. I

began work by running the eastern boundary of township 46, range 27, west of the Second Principal Meridian. The first five miles of this is a prairie with clumps of poplar bush; the remaining mile is sandy, approaching the valley of the South Saskatchewan River, which appears to be about one and a-half miles south of the township corner.

Having posted and mounded this line, I then proceeded to the 106th Meridian in order to run the Twelfth Correction Line west. I began this from the end of Mr. A. L. Russell's work of the previous season, two and a-half miles west of the 106th Meridian. I ran the north side of the road allowance, putting in posts also on the south side, down to the North Saskatchewan River, about 13 sections from the Meridian. Nearly all of this was through a very sandy country, covered principally with Banksian pines. There are numerous muskegs in which the water is strongly impregnated with iron, and which form the source of Beaver Creek and of another creek flowing north into the Saskatchewan River west of the Principal Meridian. Near the river the line strikes the extreme south-westerly end of the "Lily Plain." On 4th September we moved out of the bush and camped at the crossing of Beaver Creek, on the Carlton and Prince Albert trail, where we lost the horses in the thick willow brush. This delayed us until the 9th, on which day we went on to the northern crossing of the South Saskatchewan.

On the following day I began the 12th Base from the 106th Meridian, on the eastern side of the South Saskatchewan, and ran it down to the water. Next day we crossed the river, which is here 400 yards wide, and produced the line through a thick belt of tamaracs that extends along its western bank. Ascending the hill to the west the line ran into thick poplar bush. The country here for some distance is a network of lakes, the shores of which are covered with thick growths of willows, &c. The soil is sandy. This sort of country extends for some two ranges with only about three miles intervening of ordinary prairie. After this, in the third range, the country becomes open but the soil is somewhat light for cultivation. In the Fourth Range west of this Principal Meridian the line strikes the North Saskatchewan at the end of the twentieth section from the Meridian, and at about three miles north-east of Fort Carlton.

The line being finished, and a traverse made to connect with Fort Carlton, we returned to Prince Albert, where I paid off the additional men engaged for the block work. On the 7th October we left Prince Albert, and on the 8th November arrived in Winnipeg.

The weather during September and October was most disagreeable. From 14th September to the end of the month there were few perfectly fine days, and numerous rain and slight snow storms. On 14th October, while we were in Touchwood Hills, there was a heavy fall of snow, which stayed on the ground and rendered travelling both difficult and unpleasant. It became better, however, by a thaw which removed the snow as we were getting near the boundary of Manitoba.

From the above hasty sketch of my work, it will be seen that in addition to the strictly astronomical work of determining the latitude of principal stations, I traversed the settlements of Big Lake, Edmonton, Fort Saskatchewan and Victoria, and obtained information with respect to the disputed claims in these places.

With reference to these disputes, I would say that only in the first named settlement, and in a limited degree in the second, is there any difficulty at all about boundaries; and in the first, any trouble might be easily avoided if the settlement were to be surveyed into lots.

I append a table of latitudes and longitudes of Special Survey Astronomical Stations, and of other leading points determined by sextant and theodolite observations by myself and Mr. Checkley.

I also give, as an example of the latitude observations, one taken with the large instrument at Fort Edmonton, and a copy of the computation of mean latitude and the probable error, together with a slight sketch of the method of observing with the instrument.

---

For further details I beg to refer you to the reports and illustrative plans of the settlements which I surveyed under your instructions, and to the field notes of the various lines run.

I have the honor to be, Sir,  
Your obedient servant,

W. F. KING, D.L.S.,  
*In charge of Section No. 2, Special Survey.*

LINDSAY RUSSELL, Esq.,  
Surveyor-General, Ottawa.

## APPENDIX No. 5.

OTTAWA, 26th November, 1878.

SIR,—I have the honor to submit the following report of the proceedings of Section No. 3 of the Special Survey, employed in running the Base Parallels and Meridians from the 106th Meridian of longitude, or Third Principal Meridian, to the 110th Meridian of longitude, or Fourth Principal Meridian, in the North-West Territories, during the past season.

I arrived in Winnipeg on the 28th of May, and was engaged there until the 5th of the following month in making the necessary preparations for the service.

Leaving Winnipeg on the 5th of June, I arrived, on the 29th of that month, at the inter-section of the 106th Meridian and 10th Base, the point of commencement of my work.

From this point I proceeded to run the 10th Base westerly, having corrected the azimuth of the first chord for the station error of sixty-seven links in latitude. Having produced this Base 108 miles to the nearest meridian exterior to Battleford, that between Ranges 18 and 19, I then turned to the north and ran thirty-six miles to the 11th Correction Line, making the necessary jog on the 10th Correction Line for the convergence of meridians.

Owing to the position of Battleford being, on existing maps, in error in longitude some 10 or 11 miles, I had to run the 11th Correction Line thirteen miles east, to make the connection with the Astronomical Station of the survey at that place, which latter was effected on the 2nd of September. I found that the latitudes established respectively by observation and survey, did not agree within 5·27 chains. Presumably, the greater portion of this difference is due to local attraction, as deviations of the vertical, to a similar extent, were observed on the 49th Parallel immediately south of this.

A delay of two days occurred, at Battleford, in communicating this result by telegraph to you for your directions. On obtaining them, I reposted the 11th Correction Line and also the meridian south to the 11th Base, making each section the necessary amount, 21·9 links shorter, so as to leave at the 11th Correction Line, one half the amount of the difference between the astronomical and the measured latitudes.

I then continued the 11th Base west to 110th Meridian of longitude or Fourth Principal Meridian, thus terminating my work for the season, the total distance run and marked being two hundred and fifteen miles.

I experienced great difficulty in making progress on the 10th Base, owing to the want of wood and water, the country along that line being almost destitute of both. On one section of it, water had to be carried for the party, and wood for posts and fuel, in our carts, for a distance of 32 miles.

The soil on the part surveyed of this base, with the exception of some few miles in the Eagle Hills, is of a very poor nature, being light and sandy, and in most cases alkaline. In fact, none of the country between the 106th Meridian and the point at which I turned northward is of any use for agricultural purposes.

The south branch of the Saskatchewan River was crossed on this line at 25 miles from the 106th Meridian, the river here is some 12 chains in width, with a very strong current; the banks are low and edged by a mud deposit of the river, not of any width that would be of use for cultivation.

The country along the Meridian, from the 10th Base to the 11th Correction Line, is of a better nature than that on the 10th Base, for although the soil is light it is well watered, and the pasturage is excellent. It is, however, destitute of wood.

---

The 11th Correction Line runs through the hills on the south side of the Battle River Valley, and is in bush nearly all the way.

The soil generally is exceedingly poor, and, although improving a little in the immediate vicinity of Battleford, is even there very light and sandy.

From the Meridian Ranges 18 and 19 to the 110th Meridian, the country is decidedly more attractive. For the first thirty miles there is a scarcity of wood, but good water abounds. Indeed, as a rule, this was the only country passed over in which the water met with was not more or less alkaline.

From the exceeding richness of its grasses and the special fitness of the kinds produced, I am led to believe that it excels, as a grazing country, anything I have seen in Manitoba or the North-West Territories.

I closed my work for the season on the 4th of October, and arrived in Winnipeg, after a very disagreeable journey, on the 5th of November.

I have the honor to be, Sir,  
Your obedient servant,

J. S. DENNIS JUN., D.L.S.,  
*In charge of Section No. 3, Special Survey, N. W. T.*

LINDSAY RUSSELL, Esq.,  
Surveyor-General.

## APPENDIX No. 6.

DOMINION LANDS OFFICE,  
OTTAWA, 13th November, 1878.

SIR,—I have the honor to submit the following report of the operations of Section No. 4 of the Special Survey, engaged in surveying the settlements of Prince Albert and St. Laurent, in the North-West Territory, during the past season.

I arrived in Winnipeg on the 28th of May, and until the 5th of June was employed in organizing my party, at which date we started for the Saskatchewan.

We arrived at Prince Albert Settlement on the 3rd of July and camped at the extreme west end of the settlement near where the Third Principal Meridian crosses the North Saskatchewan River.

My first work was to make a careful instrumental traverse of that portion of the river along which the survey would extend, thus enabling me the better to determine along which legal subdivisions I should run the rear settlement line, so as to conform, as nearly as possible, to a uniform system of lots two miles in depth.

The front base line was next started from a convenient point on the 3rd Principal Meridian twenty-one chains and fifty links north of the north-east corner of section twenty-five, township forty-seven, range one west, and produced eastward through the settlement, deflecting it north or south at such points as it was necessary to do so in order to follow as closely as possible the principal road through the settlement. On this base line all the front posts are placed.

Between the 3rd Principal Meridian and meridian exterior, Ranges twenty-six and twenty-seven, the lines are all laid down parallel to the 3rd Principal Meridian, the closing errors and that arising from convergence of the meridians being thrown into the lot next adjoining the meridian exterior on the west. Between the meridian exterior before mentioned and the west boundary of the Hudson's Bay Company reserve, the lines are laid down parallel to the meridian exterior, the closing errors being thrown into the lot adjoining the Hudson's Bay Company reserve.

In every case when land was occupied and improved and there existed any dispute between the occupants of adjoining claims, I had them agree together before me on some point which was to be established as their common boundary: in the majority of instances they requested me to decide between them; their post was then planted where, under the circumstances of the case, I considered it best divided their claims, and they mutually agreed to it as their boundary line.

Where the land was unoccupied and unimproved, merely having been taken up, I surveyed it into ten-chain lots, and entered the claimants' names, for it on the plan, stating my opinion to them that such claims could at most merely give them a preferential right of purchase.

According to your instructions, a road, one chain in width, has been left at intervals of about one mile, running from the rear line of survey out to the river, also a road, one and a half chains in width, all along the rear line. In a few instances, when there were actual settlers inside of the two-mile limit, I was obliged to lessen the depth of the river claims sufficiently to allow the settler in the rear to have a legal quarter section; in the cases referred to, the front claims are of such a width as still to give the holders more than a homestead right of one hundred and sixty acres.

The settlement is in a flourishing condition, and there is a noticeable increase in the amount of land under cultivation since last season. Property is also rapidly increasing in value. Lot No. 59, 12 chains frontage, changed hands this summer for \$2,500, cash.

On the 5th of September, the survey of Prince Albert Settlement was completed and, on the day following, we moved to St. Laurent. This Settlement extends along both sides of the South Saskatchewan River from its intersection with the 3rd Principal Meridian south to "Gabriel's Crossing," a distance of over twenty miles. I saw that it would be impossible to make a complete survey this season, and, therefore, determined to work in that portion of the settlement where it was most immediately required.

A careful instrumental traverse was first made of the river between the points before mentioned, also a preliminary survey shewing all the improvements, from which it was evident that the most important part of the settlement lay on the east side of the river, below "Batoche's Crossing." Here I decided to commence work. I started from the 3rd Principal Meridian at the north-east corner of section twelve, township forty-four, range one west, producing the section line west to the river. From this line the lots are laid out, conforming as nearly as possible to ten chains in width and two miles in depth, one mile north and eight miles south along the east side of the river, road allowances being left as in the Prince Albert Survey.

The work was closed on the 11th Correction Line which we produced from the 3rd Principal Meridian west to the South Saskatchewan River. The producing of the 11th Correction Line completed my season's work.

For the numbering of the lots and the other details of the survey, I beg to refer you to the plans of Prince Albert and St. Laurent which accompany this report.

When camped near "Batoche's Crossing," convenient opportunity occurred of taking a cross section of the South Saskatchewan River, which it will be interesting to compare with one taken of the North Saskatchewan at about the same time last season. The results were as follows:—

Velocity (mean).....	1·875 miles per hour.
Width (from water to water).....	613 feet.
Greatest depth .....	9 "
Mean depth.....	4·58 "
Sectional area.....	2,811 square feet.
Discharge,.....	about 8,000 cubic feet per second.

Results of Cross-section of North Saskatchewan River, taken September, 1877:—

Velocity	= 1·9125 per hour.
Width (from water to water)	= 907 feet.
Greatest depth	= 8·3 feet.
Mean depth	= 6·1 feet.
Sectional area	= 616·8 square yards.
Discharge	= 15,620 cubic feet per second.

That portion of the South Branch which has come under my observation is very free from obstructions, not a single sand bar was noticed in the whole distance traversed, while, taking a similar distance on the North Branch, there will be found fifteen or twenty shifting sand bars. The water this season was, I estimate, eighteen inches lower than at the same date last season. Taking this into consideration, the measurements would go to show that the amount of water flowing through the South Branch is about seventy per cent. of that flowing through the North Branch. Notwithstanding this difference of volume, it is my opinion that navigation on the South Branch can more easily be effected than on the North Branch.

The entire population of St. Laurent consists of French Half-breeds, who, with few exceptions, live by buffalo hunting. They simply farm sufficient land to provide themselves with grain and vegetables for their winter use; they, nevertheless, fully understand the advantage of securing land, being well aware that, in a very few years, the buffalo will be exterminated, and that then they will be compelled to turn their attention to agricultural pursuits.

---

There are numerous large hay meadows in the rear of the settlement, from one to two miles from the river. This hay is cut and stacked in the autumn season, and furnishes abundance of fodder for their large bands of horses during the winter months.

The land on the east side of the river is generally of an excellent quality and such as can be farmed to advantage, while on the west side, except in small tracts, it is very light and sandy, and unfit for cultivation.

On the 5th of October we started for Winnipeg, where we arrived, after a very cold and disagreeable journey, on the 29th of October.

I have the honour to be, Sir,  
Your obedient servant,

MONTAGUE ALDOUS, D.L.S.,  
*In charge of Section No. 4, Special Survey*

LINDSAY RUSSELL, Esq.,  
Surveyor-General,



APPENDIX NO. 7.

SCHEDULE A.

STATEMENT shewing the transactions of the Dominion Lands Office at Winnipeg and Branches, for the Year ending 31st October, 1878; also the Total Acreage of Lands disposed of and amount received.

Nature of Grant.	Year ending 31st October, 1878.				From establishment of Office to 31st October, 1878.				Remarks.
	No.	Acres.	Receipts in Cash.	Receipts in Warrants and Scrip.	No.	Acres.	Receipts in Cash.	Receipts in Warrants and Scrip.	
Homesteads.....	1,753	280,022-28½	\$ 17,320 00	\$ ..... ..	5,908	953,203-83½	\$ 59,390 00	\$ ..... ..	21 homesteads, without fee, during 1878, and also 87 taken up and abandoned, which are not included in Schedule—\$370 in fees, of \$10 each.
Preemptions.....	1,588	251,192-49½	..... ..	..... ..	3,472	551,401-51½	..... ..	..... ..	
Forest Tree Culture.	35	5,598-28	340 00	..... ..	51	8,077-83	540 00	..... ..	1 F. T. claim, without fee, during 1878.
Sales.....	605	132,314-06½	4,384 88	127,797 74	2,059	376,204-73	63,380 53	311,674 57	1 ten acre wood lot abandoned—\$10 cash not included in Schedule.
M. B. Warrants.....	84	13,433-60	..... ..	..... ..	1,163	186,071-73	..... ..	..... ..	
Total.....	4,065	682,591-62½	22,044 88	127,797 74	12,713	2,074,959-64	123,310 53	311,674 57	

Certified correct.

DONALD CODD,  
Agent of Dominion Lands.

APPENDIX No. 7.—Continued.

SCHEDULE B.

SHOWING the New Settlements and Villages formed in the Province of Manitoba and North-West Territories during the Year 1878.

No. of Land District.	Township.	Range.	Section.	Name of Settlement.	Remarks.
No. 1 Office— At Winnipeg .....	6	8 E	.....	De Lorimier .....	
	11	6 E	.....	Rossmere .....	
	13	5 & 6 E	.....	Stadacona .....	
	12	8 E	.....	Garnet .....	
	13	8 E	.....	Wolseley .....	
	14	3 W	.....	Bonnedoon .....	
No. 2 Office— At Emerson .....	1	4 E	.....	Belcher .....	
	2	4 E	.....	Parry .....	
	3	1 E	.....	Tache .....	
	4	3 E	.....	Fordyce .....	
No. 3 Office— At Nelsonville .....	2	6 W	.....	Alexandria .....	
	5	4 W	.....	Rosebank .....	
	4	6 W	.....	Belmont .....	
No. 4 Office—At Portage la Prairie.	...	.....	.....	.....	
	...	.....	.....	.....	
	...	.....	.....	.....	
No. 5 Office—At Little Saskatche- wan .....	16	26 W	.....	Lorne .....	
	16	15 W	.....	Eden .....	
Villages in the Men- nonite Reserve Ranges, West .....	3	5 W	12 NW	Schonfeld .....	
	2	5 W	34 NE	Schondorf .....	
	2	5 W	23 SW	Waldheim .....	
	2	4 W	6 SW	Osterwick .....	
	2	4 W	2 SW	Neuenburg .....	
	1	4 W	33 SE	Hochfeld .....	
	1	4 W	19 SW	Eighenfeld .....	
	1	4 W	20 SE	Blumenfeld .....	
	1	4 W	13 NW	Reinland .....	
	1	4 W	3 NW	Grunfeld .....	
	1	3 W	7 SW	Rosengart .....	
	1	3 W	1 SW	Neuhorst .....	
	1	3 W	24 SW	Rosenort .....	
	1	2 W	18 NW	Kronsthal .....	
	1	2 W	3 SW	Blumenort .....	
	2	1 W	32 SW	Rosenfeldt .....	
	.....	.....	.....	Hofnungfeld .....	Location not known.
.....	.....	.....	Ebenfeld .....		
.....	.....	.....	Schauenfeld .....		
.....	.....	.....	Rosenthal .....		
.....	.....	.....	Nenendorf .....		
.....	.....	.....	Blumengart .....		
.....	.....	.....	Blumstein .....		
.....	.....	.....	Cortelz .....		
.....	.....	.....	Schoenweise .....		

Certified correct.

DONALD CODD,  
Agent of Dominion Lands.

APPENDIX No. 7.—*Continued.*

## SCHEDULE C.

## ORDNANCE AND ADMIRALTY LANDS.

STATEMENT of Sales made during the Year commencing 1st July, 1877, and ending 30th June, 1878.

Locality.	Number of Lots Sold.	Amount Sold for.	Amount Received on account.
		\$ cts.	\$ cts.
Ottawa, City of.....	26½	4,774 49	4,774 49
Quebec do .....	2	3,600 00	3,600 00
Fredericton, N.B.....	1	1,200 00	1,200 00
Kingston, City of.....	1	378 00	70 80
North Gower.....	2	38 00	38 00
	32½	9,990 49	9,683 29

WILLIAM MILLS,  
*Accountant.*

DEPARTMENT OF THE INTERIOR,  
DOMINION LANDS BRANCH,  
OTTAWA, 13th December, 1878.

APPENDIX No. 7.—Continued.

SCHEDULE D.  
ORDNANCE LANDS.

STATEMENT showing the several Localities on account of which Moneys have been received, 1st July, 1877, to 30th June, 1878.

Locality.	Amount.	Locality.	Amount.
	\$ cts.		\$ cts.
		<i>Brought forward</i> .....	14,569 55
Ambertsburg.....	1,926 30	Nepean.....	1,420 54
Chambly.....	1,965 31	New Brunswick.....	3,262 40
Chatham, Que.....	76 00	Nova Scotia.....	0 25
Coteau-du-Lac.....	207 91	Ottawa.....	9,546 74
Orosby, South.....	157 82	Oxford.....	14 80
Cornwall.....	41 55	Pelliam Farm.....	103 88
Elmley.....	9 70	Penetanguishene.....	107 21
Fort Erie.....	347 88	Prescott.....	1,032 27
Flos.....	25 85	Quebec.....	11,538 16
Gloucester.....	1,074 31	Sarnia.....	40 00
Grenville, Que.....	2 20	Sorel.....	2,176 18
Gower, North.....	38 00	St. John's, Que.....	722 10
Hochelaga.....	9 00	St. Joseph's Island.....	50 00
Kingston.....	7,201 22	Tay.....	51 71
Kingston Mills.....	15 00	Three Rivers.....	507 32
Longueuil.....	529 50	Toronto.....	764 01
Marlboro'.....	6 00	Windsor.....	96 00
Montreal.....	836 00	Wolford.....	119 20
Navy Island.....	100 00		
<i>Carried forward</i> .....	\$14,569 55	Registration Fees.....	46,152 32
			103 30
			\$46,255 62

W.M. MILLS,  
Accountant.

DEPARTMENT OF THE INTERIOR,  
DOMINION LANDS BRANCH,  
OTTAWA, 13th December, 1878.

## APPENDIX No.

## SCHEDULE

## ORDNANCE

## STATEMENT of the Receipts and Deposits on account of Ordnance

Dr.

## CASH RECEIVED.

Date.		Registration Fees.	Rent or Interest equivalent to Rent.	Principal.	Total Amount.
1877.		\$ cts.	\$ cts.	\$ cts.	\$ cts.
July 31.....	To receipts for month ....	6 40	397 80	905 31	4,300 51
August 31.....	do .....	5 00	688 28	4,276 56	4,969 84
September 30.....	do .....	7 20	1,347 37	4,255 98	5,610 55
October 31.....	do .....	4 80	817 15	3,230 46	4,052 41
November 30.....	do .....	12 20	2,137 89	5,225 30	7,375 89
December 31.....	do .....	5 90	1,861 27	3,032 91	4,900 08
1878.					
January 31.....	do .....	8 40	938 17	3,523 08	4,469 65
February 28.....	do .....	10 00	786 28	2,174 20	2,970 48
March 31.....	do .....		647 89	567 61	1,215 50
April 30.....	do .....	23 00	399 60	1,430 85	1,853 45
May 31.....	do .....	2 60	1,291 67	1,515 62	2,809 89
June 30.....	do .....	17 80	1,277 61	3,423 46	4,718 87
		103 80	12,590 98	33,561 34	46,255 62

DEPARTMENT OF THE INTERIOR,  
 DOMINION LANDS BRANCH,  
 OTTAWA, 13th December, 1878.

## 7.—Continued.

E.

## LANDS.

and Admiralty Lands, from 1st July, 1877, to 30th June, 1878.

## CASH PAID.

Ca.

Ottawa. §	Paid into Bank of Montreal at											Total Amount.
	Montreal.	Kingston.	Toronto.	St. John, N.B.	Fredericton.	Quebec.	Sorel.	London.	Cornwall.	Hamilton.	Prescott.	
\$ cts.	\$ cts.	\$ cts.	\$ cts.	\$ cts.	\$ cts.	\$ cts.	\$ cts.	\$ cts.	\$ cts.	\$ cts.	\$ cts.	\$ cts.
811 90	139 37	132 14	226 10									1309 51
1587 49		1167 35	215 00	2000 00								4969 84
3968 30		1652 25										5610 55
3106 03		947 38										4052 41
727 38	815 55	615 78				5200 68	*16 00					7375 39
3014 94	294 87	488 67	14 12			1087 48						4900 08
1756 71	23 10	412 87	90 72	36 25		2100 00		50 00				4469 65
1060 04		56 84	353 60			1500 00						2970 48
916 42	77 80	149 73							41 55			1215 50
1295 98		341 00	28 38							100 00	*88 09	1853 45
1590 87	478 80	736 22					4 00					2909 89
2254 23	659 07	517 08	88 49		†1200 00							4718 87
23109 29	2488 56	7217 31	1016 41	2036 25	1200 00	9888 16	20 00	50 00	41 55	100 00	88 09	46255 62

NOTE.—The amounts marked \* were paid into the Merchants' Bank.  
The amount marked † was paid into the People's Bank.

WILLIAM MILLS,  
Accountant.

## APPENDIX No. 7.—Continued.

## SCHEDULE F.

## ORDNANCE LANDS.

STATEMENT showing the Amounts due and remaining unpaid, 30th June, 1878, on account of Rent and Instalments of Purchase Money and Interest, and the further sums required to be paid in order to complete purchase (with Interest in addition, to be calculated up to date of payment).

Locality.	Rent and Interest due and remaining unpaid, 30th June, 1878.	Amount of Instalments Unpaid, 30th June, 1878.	Additional Amounts required to be paid to complete purchases.	Total Amount.
	\$ cts.	\$ cts.	\$ cts.	\$ cts.
Ottawa, City of.....	16,579 08	7,585 50	1,533 00	25,697 58
Kingston.....	1,192 63	2,501 48	26,383 31	30,077 42
Amherstburg.....	2,676 21	5,063 95	27,204 70	34,944 86
Quebec.....	2,855 00	7,778 00	37,386 00	48,019 00
South River, Isle-aux-Noix.....	128 00	.....	.....	128 00
Hochelaga.....	750 00	.....	.....	750 00
Sorel.....	646 50	.....	.....	646 50
Chambly.....	919 76	2,084 48	14,624 55	17,628 79
Three Rivers.....	.....	.....	1,865 50	1,865 50
St. John's, Q.....	485 04	4,042 00	4,042 00	8,569 04
Coteau-du-Lac.....	.....	.....	98 20	98 20
Cornwall.....	.....	.....	70 40	70 40
Prescott.....	13 48	22 50	2,864 95	2,900 93
Toronto.....	1,183 74	2,745 90	4,778 90	8,708 54
Burlington Heights.....	123 34	212 34	.....	335 68
Niagara.....	435 81	.....	.....	435 81
Fort Erie.....	10,132 64	731 54	188 69	11,052 87
Peretanguishene.....	34 38	63 90	.....	98 28
New Brunswick.....	274 95	.....	.....	274 95
Nova Scotia.....	32 00	.....	.....	32 00
Nepean.....	11,287 31	1,662 94	752 60	13,702 85
Gloucester.....	84 90	463 35	.....	548 25
Oxford.....	7 40	.....	.....	7 40
Marlborough.....	48 00	.....	.....	48 00
Wolford.....	1,372 88	90 68	90 75	1,554 31
Elmsley.....	9 70	.....	.....	9 70
South Crosby.....	78 88	200 70	459 16	738 74
Pittsburg.....	21 56	32 80	.....	54 36
Kingston Mills.....	22 50	.....	.....	22 50
Grenville.....	6 20	.....	.....	6 20
Chatham, Q.....	231 00	.....	.....	231 00
Carillon.....	0 60	.....	.....	0 60
	51,633 49	35,282 06	122,342 71	209,258 26
Windsor.....	.....	.....	1,600 00	1,600 00

WILLIAM MILLS,  
Accountant.

DEPARTMENT OF THE INTERIOR,  
DOMINION LANDS BRANCH,  
OTTAWA, 13th December, 1878.

## APPENDIX No. 7.—Continued.

SCHEDULE G.  
ORDNANCE LANDS.

LIST of Ledgers in use containing the Accounts of Purchasers and Tenants of  
Ordnance Properties.

Locality.	No. of Accounts open.	Locality.	No. of Accounts open.
<i>1.—Ledger B.</i>		<i>Brought forward .....</i>	
Nepean.....	51	Niagara .....	3
Gloucester.....	7	Fort Erie.....	20
North Gower.....	2	Amherstburg.....	4
Oxford.....	3	Windsor.....	1
Marlborough.....	3	Sarnia.....	1
Wolford.....	12	Navy Island.....	1
Elmsley.....	4	Penetanguishene.....	2
South Crosby.....	25		
Pittsburg.....	1		303
Kingston Mills.....	2	<i>4.—Ledger F.</i>	
Grenville.....	4	Kingston.....	5
Chatham.....	3	Amherstburg.....	34
Carillon.....	1	Quebec.....	65
	118	Montreal.....	1
<i>2.—Ledger D.</i>		South River, Isle aux Noix.....	1
Ottawa, City of.....	525	Hochelaga.....	1
		Longueuil.....	2
<i>3.—Ledger E.</i>		Sorel.....	33
Three Rivers.....	1	New Brunswick.....	14
St. John's, Que.....	5	Nova Scotia.....	3
Chambly.....	24	Chambly.....	46
Coteau du Lac.....	5		205
Cornwall.....	2	SUMMARY.	
Prescott.....	45	Ledger B.....	118
Kingston, City of.....	163	do D.....	525
Toronto.....	21	do B.....	303
Burlington Heights.....	5	do F.....	205
<i>Carried forward.....</i>	271	<i>Total.....</i>	1,151

WILLIAM MILLS,  
Accountant.

DEPARTMENT OF THE INTERIOR,  
DOMINION LANDS BRANCH,  
OTTAWA, 13th December, 1878.



APPENDIX No. 7.—Continued.

SCHEDULE H.

SCHEDULE showing Indian Reserves Surveyed during the Year ending 31st October, 1878.

Name of Chief.	Locality.	Treaty.	Area in Acres.	By whom surveyed.	Remarks.
The Key .....	Swan River .....	4	31,300	Wm. Wagner .....	Portion A.
Kishikonse .....	Duck Bay, Lake Winnipegosis .....	4	9,620	do .....	do B.
White Bear .....	Moose Mountain .....	4	28,752	do .....	do C.
Kishikonse .....	Swan River .....	4	31,960	do .....	do A.
Sisoux Band .....	Pipestone Creek, near Oak Lake .....	4	2,560	do .....	do A.
Sousouze .....	Dog or Elm Creek Lake Manitoba .....	2	10,770	F. A. Martin .....	do B.
Osoconageist .....	Little Ottertail Lake .....	3	4,850	A. J. Crickmore .....	do B.
do .....	North Shore of Rainy Lake .....	3	2,640	do .....	do B.
do .....	On Rainy Lake and Turtle River .....	3	2,737	do .....	do B.
Wahiskince .....	On Rainy Lake .....	3	3,711	do .....	do B.
do .....	At the discharge of Clearwater Lake .....	3	2,439	do .....	do B.
Wabigon Lake Reserve .....	Between Big and Little Wabigon Lakes .....	3	6,374	do .....	do A.
do .....	East Shore of Little Wabigon Lake .....	3	3,375	do .....	do B.

A. H. WHITCHER,  
Inspector of Surveys.

SURVEYS OFFICE, DOMINION LANDS,  
WINNIPEG, MAN., 31st October, 1878.

APPENDIX No. 7.—*Continued.*

## SCHEDULE J.

SCHEDULE showing Dominion Lands Surveyors employed in Manitoba, Keewatin and the North-West Territories, during the Year ending 31st October, 1878.

Surveyors.	Residence.	Nature of Survey performed.
M. Aldous.....	Ottawa.....	Special Survey, North-West Territories.
Edgar Bray .....	Oakville .....	Indian Reserves.
C. F. Chapman .....	Prescott.....	Public highways in Manitoba.
A. J. Crickmore .....	Toronto.....	Indian Reserves.
Joseph Doupe .....	Winnipeg .....	Part of St. Agathe.
J. S. Dennis, jun. ....	Ottawa.....	Special Survey, North-West Territories.
Milner Hart.....	St. Marys.....	Acting Inspector of Surveys, N.-W. Territories.
W. F. King.....	Port Hope.....	Special Survey, North-West Territories.
F. A. Martin.....	St. Agathe.....	Indian Reserves.
J. L. P. O'Hanly.....	Ottawa.....	do
Wm. Ogilvie.....	do .....	do
A. P. Patrick.....	do .....	do
Wm. Pearce .....	Winnipeg .....	Boundaries of Manitoba.
R. Rauscher .....	Montreal.....	Township Subdivision, Prince Albert.
J. L. Reid .....	Prince Albert Settlement	do do
A. L. Russell.....	Ottawa.....	Special Survey, North-West Territories.
D. Sinclair.....	Winnipeg .....	Township Subdivision, Prince Albert.
George A. Simpson .....	Belleville.....	Indian Reserves.
Elihu Stewart.....	Collingwood.....	do
Wm. Wagner.....	Ossowo.....	do

LINDSAY RUSSELL,  
*Surveyor-General.*

DOMINION LANDS OFFICE,  
OTTAWA, 31st December, 1878.



	H. M. S.															
Apparent A.R. of Star.....	1 14 35	Log cosec $\frac{1}{2}(\psi+P)=$ .....	0.484367													
Chronometer Error.....	18 52	Log sin $\frac{1}{2}(\psi-P)=$ .....	9.485190													
Chronometer Time of U.T.....	0 55 43	Constant Log=.....	9.969557													
Approx. Latitude= $\phi$ .....	53 04 03	Log sec $\frac{1}{2}(\psi+P)=$ .....	0.024687													
Co-Latitude= $\psi$ .....	36 55 57	Log cos $\frac{1}{2}(\psi-P)=$ .....	9.978706													
Apparent Dec. of Star.....	88 39 34	Constant Log=.....	0.003393													
N. Polar Dist.= $P$ .....	1 20 26															
		Azimuth. of Ref. Object,	<table border="0"> <tr> <td>89</td> <td>57</td> <td>28</td> <td rowspan="4">} Mean of 3 sets up. do 3 sets up, second, night.</td> </tr> <tr> <td>89</td> <td>57</td> <td>29</td> </tr> <tr> <td>89</td> <td>57</td> <td>30</td> </tr> <tr> <td>89</td> <td>57</td> <td>33</td> </tr> </table>	89	57	28	} Mean of 3 sets up. do 3 sets up, second, night.	89	57	29	89	57	30	89	57	33
89	57	28	} Mean of 3 sets up. do 3 sets up, second, night.													
89	57	29														
89	57	30														
89	57	33														

APPENDIX No. 8.—Continued.

LATITUDES AND LONGITUDES of the Astronomical Stations of the Special Survey, and of other leading points.

Name of Place.	Latitude.	Longitude.	Method of obtaining the Longitude.
	° ' "	° ' "	
Astronomical Station, No. 2.....	50 22 21-85	102 00 00	Special survey triangulation.
do Battleford.....	52 42 38-69	108 16 59	Special survey lines.
do No. 4.....	52 34 32-69	106 00 00	do
do Fort Edmonton.....	53 31 59-16	113 32 58	Box Chronometer.
do Fort Pitt.....	53 34 05-28	109 47 29	do
Lower Edmonton Settlement.....	53 33 30	113 28 34	do
Camp opposite Fort Saskatchewan.....	53 42 32	113 14 50	do
Hudson Bay Co.'s Post, Victoria.....	54 00 04	112 23 46	do
On river bank east of Fort Pitt.....	53 24 01	109 16 52	do
do do.....	53 15 14	.....	do
do do.....	53 00 30	108 46 33	do
One mile north-west of mouth of Eagle Creek.....	52 21 05	.....	do
On river bank near the Elbow.....	52 27 45	.....	do
do Carlton.....	52 44 14	106 43 11	do
Fort Carlton.....	52 52 37	106 32 01	Chronometer and survey.
Hay Lakes Depot.....	53 11 17	113 02 08	C. P. R. from Edmonton.
Battle River Settlement.....	52 57 00	112 54 55	By account.
Crossing of Vermilion Creek, 36 miles west of Victoria.....	53 53 50	.....	do
On trail east of Victoria.....	54 02 44	.....	do
do south of east end of Saddle Lake.....	53 59 58	111 47 12	Pocket chronometer.
do 3½ miles east of Egg Lake.....	54 00 22	.....	do
South-west of Moose Hills.....	53 52 57	.....	do
Five miles south-east of Frog Creek.....	53 46 44	.....	do
Crossing of Red Deer River.....	53 34 08	109 29 29	do
Twelve and a half miles south-east of Red Deer River.....	53 24 12	109 15 33	do
Small Creek flowing south-east.....	53 20 38	109 08 30	do
Four and a quarter miles west of crossing of Turtle River.....	53 15 55	108 52 25	do
East side of "Narrows" Lake.....	53 09 12	108 42 26	do
Five miles east of crossing of Jack Fish Creek.....	52 52 20	108 18 59	do
Near east end of Goose Lake.....	52 43 45	107 51 41	do
Most southerly point of trail from Carlton to Pitt.....	52 38 40	107 37 45	do
Creek flowing into Redberry Lake.....	52 41 36	107 22 32	do
In Thickwood Hills north of Redberry Lake.....	52 45 39	.....	do
Forks of the Saskatchewan trail (Humboldt).....	52 10 30	.....	do
Gabriel's Crossing, South Saskatchewan.....	52 41 02	.....	do
Telegraph Crossing of South Saskatchewan River.....	52 20 00	.....	do

W. F. KING, D.L.S.,  
Section 2, Special Survey.

APPENDIX No. 8.—*Continued.*ON THE METHOD OF OBSERVING FOR LATITUDE WITH THE ALT  
AZIMUTH INSTRUMENT USED ON THE SPECIAL SURVEY.

BY W. F. KING, D.L.S.

The instrument with which the principal observations were taken is an alt-azimuth and transit combined. Its circles are 12 and 8 inches, respectively, in diameter.

The vertical circle is graduated to five minutes of arc, and is read by two microscopes which divide the arc to one second or, by estimation, to less. A sensitive level is attached to the microscope-bearing frame. The telescope is furnished with a micrometer thread, by means of which a star can be bisected several times on one setting of the vertical circle.

The telescope having been set on a star, the vertical circle was clamped and a number of bisections of the star, usually six, made with the micrometer thread, the level being read each time. The microscopes and pointer were read either before or after the bisections; the "forward" graduations, *i.e.*, the graduations first reached by the microscope thread moving from the microscope zero with a forward motion of the screw, being read five times, and the "back" graduations, *i.e.*, those next behind the zero, being read three times. Thus a value of the error of runs was obtained each time for each microscope.

The instrument was then turned through 180° of azimuth, the observation of the first star having been completed, and the same series of operations performed on a star on the other side of the zenith of, when possible, nearly equal zenith distance.

Owing to circumstances which it is needless to detail, all the observations taken were restricted to the face left position of the instrument. In that position the circle readings increase with a decrease of zenith distance, and the observed circle reading deducted from the circle reading of the zenith, therefore gives zenith distance.

The readings of the eye piece micrometer on this face, increase with an increase of zenith distance, the forward motion of the screw being taken as positive. The distance of a star from the micrometer zero therefore, added to the zenith distance of the micrometer zero, gives the zenith distance of the star.

The level attached to the microscope frame is numbered from 0 to 120 through its whole length, the numbers being counted from the left. Hence, on face left, the smaller readings are always under the star, and consequently the correction to the zenith distance is the value of one division of the level multiplied by the excess over 60 (the middle point of the bubble) of the mean of the north and south readings, this excess being given its proper algebraic sign

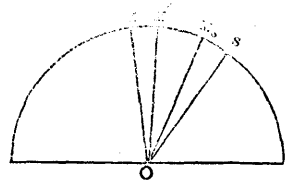
$$\text{or } L = 1.''25 \times \frac{l_n + l_s - 120}{2}$$

Also if R be the number of revolutions of the micrometer screw and D the number of divisions

$$M = 1.''4566 \times (100 R + D).$$

In the accompanying figure let Z be the true zenith and Z' the zenith of the instrument, *i.e.*, the point in which the celestial sphere is met by that radius of the level tube which passes through the graduation marked 60, 60 being the assumed zero point of the level. Let M<sub>0</sub> be the point in which the collimation line of the micrometer zero meets the celestial sphere, the telescope being directed so as to bring the star into the field. Let S be the position of the star at the time of observation,

Then  $L = ZZ'$  and  $M = M.S.$



It will be seen from what has been said before that in the figure  $L$  and  $M$  are taken positively.

Let the circle reading be denoted by  $C$ , and let the zenith point of the circle, i. e., the reading of the circle when the collimation line of the micrometer zero is parallel to that radius of the level tube which passes through the point marked 60, be denoted by  $\alpha + \delta\alpha$ ,  $\alpha$  being the assumed value and  $\delta\alpha$  the, at present, unknown correction to  $\alpha$ .

$$\text{Then } (\alpha + \delta\alpha) - C + L = M, \quad Z' + ZZ' = ZM,$$

$$(\alpha + \delta\alpha) - C + L + M = ZS = \text{zenith distance of the star; and if } R \text{ be the}$$

$$\text{refraction and } Am = \frac{\cos \phi \cos \delta}{\sin \zeta} \cdot \frac{2 \sin^2 \frac{1}{2} t}{\sin 1''} = \text{the correction to be applied to the}$$

zenith distance at time of observation to give the zenith distance at transit.

Then true zenith distance on the meridian.

$$= (\alpha + \delta\alpha) - C + L + M - Am + R.$$

$$= \delta\alpha + (\alpha - C) + (L + M - Am) + R$$

or, reverting to the nomenclature employed in the computations of the observations,

$$\text{True zenith distance} = \delta\alpha + Z + \Delta\zeta + R = \delta\alpha + \zeta$$

Call the true zenith distance  $\zeta$ .

Then  $\zeta = \zeta_0 - \delta\alpha$  and  $\phi_1$  (for first star)  $= \delta \pm \zeta = \delta \pm \zeta_0 \mp \delta\alpha = \phi \mp \delta\alpha$   
 $\phi$  being true latitude, and the upper sign being taken for a south star.

Then  $\phi_2$  (for second star)  $= \phi_0 \pm \delta\alpha$  and the mean of the two being taken  
 $\frac{1}{2}(\phi_1 + \phi_2) = \phi$ ; also  $\frac{1}{2}(\phi_1 - \phi_2) = \mp \delta\alpha$  which gives a close approximation to the zenith point of the instrument.

The value of a division of the level was determined in the usual way, by a circumpolar star at transit, (see Chauvenet's Astronomy, Vol. II, Article 235), always keeping the star in the centre of the field to avoid any error caused by inclination of the micrometer wire.

The value of a revolution of the micrometer screw was determined by setting the micrometer at an extreme positive reading and then setting the movable thread on a circumpolar star near transit by means of the tangent screw of the telescope. The microscopes and level were then read. The micrometer being now set at an extreme negative reading was again planted on the star and the microscopes and level again read. The difference of the microscope readings corrected for level error (if any) and for the motion of the star in zenith distance, as determined by the formula for the correction to the meridian gives the angular value of the space passed over by the micrometer thread. This value must be corrected for the difference of refraction.

The error of an observation taken as above may be considered to consist of two parts, the error of a bisection and the error of an observation of the microscopes.

The error of the bisection combined with the error in chronometer correction, error in determination of micrometer value, &c., may be considered separately from the probable error of the latitudes. For the quantity called above  $\Delta\zeta$  contains all the above quantities and their errors.

Taking the differences from the mean of each set of  $\Delta \zeta$ 's for each observation and summing all the squares it will be found that the mean error of a bisection, combined with variations in micrometer value, &c., is as follows:—

For a star	north	of the zenith	at Station No. 4,	0".78
"	south	"	"	1".14
"	north	"	Station No. 5,	0".99
"	south	"	"	1".01

Hence the mean error of a north bisection combined with a south would be about 1".00 for each station, and the mean error of the mean of six—that is the part of the error of one latitude pair depending on the bisection would be

$\sqrt{\frac{1".00}{6}} = 0".41$ , and the mean error of the mean of 10 pairs would be 0".13, and the probable error of the mean of 10 pairs would be 0".09. But the probable errors of the latitudes were 0".26 and 0".16 at stations Nos. 4 and 5 respectively. The difference must be due to the error of reading the microscopes and errors of declination.

The wind, from which it is impossible to shelter an instrument perfectly in the field, causes a great deal of this inaccuracy of the microscope readings by making the lamps flicker, it being very difficult to read microscopes of high power in such circumstances. This is shewn by the probable error at Station No. 4, which is much greater than that at Station No. 5, the nights at the latter station being perfectly calm, while those at the former station were windy.





MICROSCOPE A.		MICROSCOPE B.	
Forward.	Back.	Forward.	Back.
' "	' "	' "	' "
2 48.9	2 39.4	1 42.4	1 40.7
49.0	38.8	42.3	41.0
49.8	39.2	41.9	40.6
48.8		41.9	
49.9		42.6	
<hr/>		<hr/>	
Means.....	2 49.28	1 42.22	1 40.77
Correction for runs..	5.72	0.49	
	<hr/>	<hr/>	
	2 43.56	1 41.73	
		2 43.56	
		<hr/>	
		2 12.64	
		<hr/>	
Pointer.....	.....	21 30	
		<hr/>	
		0 ' "	
Circle Reading.....	.....	21 32 12.64	
Assumed Zenith Point ...	.....	30 02 58.00	
		<hr/>	
		2 = 8 30 45.36	
		<hr/>	

$\tan \zeta_1 = 9.17646$   
 $\alpha_1 = 1.76141$   
 $\beta = -0.02876$   
 $x = +0.03243$   
 " "  
 $R = 8.74, \log. R = 0.94154$

$Z = 8 \ 30 \ 45.36$   
 $R = + \ 8.74$   
 $\Delta \zeta = + \ 2 \ 12.62$ 


---

 $\zeta = 8 \ 33 \ 06.72$   
 $\delta = 62 \ 04 \ 16.4$ 


---

 $\text{North Star } \phi = 53 \ 31 \ 09.68 \text{ } \alpha \text{ Cephei.}$



MICROSCOPE A.		MICROSCOPE B.	
Forward.	Back.	Forward.	Back.
3 36.8	3 25.3	2 27.2	2 24.3
36.7	25.2	27.6	24.6
36.3	25.6	27.3	25.1
37.0		27.7	
36.1		27.6	
<hr/>		<hr/>	
Means.....	3 36.58	2 27.48	2 24.67
Correction for runs..	8.12	1.39	
	3 28.46	2 26.09	
		3 28.46	
		2 57.27	
		0 "	
Pointer.....	19 55	0 "	
		0 "	
Circle Reading.....	119 57 57.27		
Assumed Zenith Point.....	30 02 58.		
	Z = 10 05 00.73		

$$\begin{aligned} \tan \zeta^1 &= 9.25026 \\ \alpha^1 &= 1.76141 \\ \beta &= 0.02876 \\ \gamma &= -0.03243 \\ &'' \\ R &= 10.36, \log R = 1.01533 \end{aligned}$$

Z	10 05 00.73	0 1 "
R = +	10.36	
$\Delta \zeta = +$	59.01	
$\zeta =$	10 06 10.10	
$\delta =$	43 26 38.5	
South Star $\phi =$	53 32 48.60 $\xi$ Cygni.	
North Star $\phi =$	53 31 09.68 $\alpha$ Cephei.	
$\phi =$	53 31 59.14 Mean.	

APPENDIX No. 8.—Continued.

VALUES for the Latitude, &c.—Station No. 5, Fort Edmonton and probable Error.

Date.	Names of Stars.	Latitude.	v	vv	Remarks.
1877.		° ' "			
Sept. 26...	δ Sagittae and λ Ursae Minoris.....	53 32 00·43	1·27	1·6129	Zenith pair.
do 26...	γ Cephei and ° Andromedae.....	31 59·21	0·05	·0025	do
do 30...	γ Cephei and ° Andromedae.....	31 58·83	0·33	·1089	do
do 26...	θ Cephei and 27 π <sup>1</sup> Pegasi.....	31 59·50	0·34	·1156	
do 26...	β Cephei and π <sup>2</sup> Pegasi.....	31 59·28	0·12	·0144	
do 30...	α Cephei and ξ Cygni.....	31 59·14	0·02	·0004	
do 30...	θ Cephei and 27 π <sup>1</sup> Pegasi.....	31 58·91	0·25	·0625	
do 30...	β Cephei and π <sup>2</sup> Pegasi.....	31 58·02	1·14	1·2996	
		8) <u>473·32</u>		<u>3·2168</u> = Σ(vv)	
		<u>° ' "</u> <u>φ=53 31 59·16</u>			

Probable Error = ± 0·6745 √  $\frac{3·2168}{8 \times 7}$  = 0·16

Result—Latitude of Station No. 5 = 53 31 59·16 ± 0·16

## APPENDIX No. 8.—Continued.

## EXAMPLE OF AZIMUTH. POLARIS.

PLACE, 114th Meridian, 7 sections and 3 chs. North of 14th Base. Instrument, 6-inch transit. Date, 9th November, 1877. Chronometer No. 9,697, Frodsham  
 $\phi = 53^{\circ} 42' 05.1''$ . R. O., about  $\frac{3}{4}$  mile South on Meridian.

Position.	Face and Motion.	Chronometer Times.	Vernier Readings.		
			Reference Object.	Vers.	Star.
		H. M	o ' "		o ' "
I.	R. f. {	22 09.5	325 39 05 40 20	B A	147 40 20 42 05
	L. b. {	22 01 58.0	325 38 00 38 15	A B	147 44 50 44 30
II.	R. f. {	22 35 02.3	205 39 15 38 45	B A	27 33 50 34 55
	L. b. {	22 40 15.0	205 37 30 37 55	A B	27 32 10 31 35
III.	R. f. {	22 53 10.5	265 37 45 36 55	A B	267 28 40 27 45
	L. b. {	22 56 10	85 38 15 38 25	A B	267 27 00 27 05

Position II=1 + 120°.

Position III=1 + 240°.

NOTE.—In the column headed "Face and Motion" the letter R. or L. indicates that the vertical circle of the instrument was facing to the right or to the left of its sight line, as the case might have been. The smaller letters "f" and "b" that the motion of revolution in azimuth was forward, i.e. in the same direction as that of the hands of a watch, or the contrary, respectively.

(Example.)—Continued.—APPENDIX No. 8.—Continued.

AZIMUTH BY POLARIS.—Place, 114th Meridian, 7 Sections and 3 Chains North of 14th Base; Latitude, 53° 42' 05.1"; Longitude, 114 W. (assumed); Date, 9th November, 1877; Observer, W.F.K.; Instrument, 6-inch Transit; Chronometer, No. 9,697, Frodsham; Error, 1h. 09m. 26s. fast.

Face and Motion.....	Position 1.			Position 2, = (1st + 120°).			Position 3, (1st + 240°).		
	L. B. H. M. S.	R. F. H. M. S.	L. B. H. M. S.	R. F. H. M. S.	L. B. H. M. S.	R. F. H. M. S.	L. B. H. M. S.	R. F. H. M. S.	L. B. H. M. S.
Chron. Times of Obs.....	22 01 58.0	22 10 09.5	22 40 09.5	22 35 02.3	22 40 15.0	22 53 10.5	22 56 10	22 53 10.5	22 56 10
Chron. Time of Tr.....	2 23 55.5								
Hour Angles = $t$ .....	4 21 57.5	4 13 46.0	3 43 40.5	3 48 53.2	3 43 40.5	3 30 45.0	3 27 45.5	3 30 45.0	3 27 45.5
$\frac{1}{2}t$ .....	2 10 58.8	2 06 53.0	1 51 50.2	1 54 26.6	1 51 50.2	1 45 22.5	1 43 52.8	1 45 22.5	1 43 52.8
Log $\tan \frac{1}{2}(S - A)$ .....	0.1607763	0.1779843	0.2441263	0.2322883	0.2441263	0.2742974	0.2814492	0.2742974	0.2814492
Constant Log.....	9.9690536	9.9690536	9.9690536	9.9690536	9.9690536	9.9690536	9.9690536	9.9690536	9.9690536
Log $\cot \frac{1}{2}t$ .....	0.1917227	0.2089307	0.2632347	0.2632347	0.2750727	0.3052438	0.3123956	0.3052438	0.3123956
Constant Log.....	0.0033239	0.0033239	0.0033239	0.0033239	0.0033239	0.0033239	0.0033239	0.0033239	0.0033239
Log $\tan \frac{1}{2}(S + A)$ .....	0.1950466	0.2122546	0.2783966	0.2665586	0.2783966	0.3085677	0.3157195	0.3085677	0.3157195
$\frac{1}{2}(S + A)$ .....	57 27 15.1	58 28 29.8	62 13 19.3	61 34 23.3	62 13 19.3	63 49 50.2	64 12 08.0	63 49 50.2	64 12 08.0
$\frac{1}{2}(S - A)$ .....	55 22 16.4	56 25 30.4	60 19 01.0	59 38 25.4	60 19 01.0	61 59 54.4	62 23 16.0	61 59 54.4	62 23 16.0
Azimuth.....	2 04 58.7	2 02 59.4	1 51 18.3	1 55 57.9	1 51 18.3	1 49 55.8	1 48 52.0	1 49 55.8	1 48 52.0
Ver <sup>r</sup> Readings on Star.....	147 44 40	147 41 12.5	27 31 52.5	27 34 22.5	27 31 52.5	267 28 12.5	267 27 02.5	267 28 12.5	267 27 02.5
Level Correction.....									
True North.....	145 39 41.3	145 38 13.1	25 37 34.2	25 38 24.6	25 37 34.2	265 38 16.7	265 38 10.5	265 38 16.7	265 38 10.5
Ver <sup>r</sup> Readings on R. O.....	325 38 07.5	325 39 42.5	205 37 42.5	205 39 00	205 37 42.5	85 37 20	85 38 20	85 37 20	85 38 20
Azimuth of the Reference Object.....	179 58 26.2	180 01 29.4	180 00 08.3	180 00 35.4	180 00 08.3	179 59 03.3	180 00 09.5	179 59 03.3	180 00 09.5
Apparent R. A. of Star.....	H. 1 14 29.5		Log $\sin \frac{1}{2}(\psi + P) = \dots$	9.5086178		Azimuth from { 1st Pos <sup>n</sup> .....	179 59 57.8 E.		179 59 57.8 E.
Chronometer Error.....	1 09 26		Log $\sin \frac{1}{2}(\psi - P) = \dots$	9.4776714		North of Ref. { 2nd Pos <sup>n</sup> .....	180 00 21.8		180 00 21.8
Chron. Time of U. T.....	2 23 55.5		Constant Log = ...	9.990536		Object. { 3rd Pos <sup>n</sup> .....	179 59 56.4		179 59 56.4
Latitude.....	53 42 05.1		Log $\cos \frac{1}{2}(\psi + P) = \dots$	9.9761423		Mean = .....	179 59 57.7 E.		179 59 57.7 E.
Co-Latitude = $\psi$ .....	36 17 54.9		Log $\cos \frac{1}{2}(\psi - P) = \dots$	9.9791662		Deviation of Line = $\frac{1}{2}$ E. of South.			
Apparent Dec. of Star.....	88 39 44.3		Constant Log = ...	0.0033239					
N. Polar Dist. = $P$ .....	1 20 15.7								

40

*Map is facing the page.*

---

---

PART III.

---

VALLEY OF THE NELSON RIVER.

---

---





## A.

## SPECIAL APPENDIX.

## DR. ROBERT BELL TO THE DIRECTOR OF THE GEOLOGICAL SURVEY.

PROVISIONAL REPORT on the country between Lake Winnipeg and Hudson's Bay, with reference to the proposed opening of communication between York Factory and the North-West Territory.

MONTREAL, 17th March, 1879.

ALFRED R. C. SELWYN, Esq., F.R.S.,  
Director Geological Survey.

SIR,—In compliance with your request for a special provisional report on the above subject, for transmission to the Hon. the Minister of the Interior, I beg to submit the following:—

I shall first state briefly the nature and extent of my own operations in the region indicated, as far as they bear upon the matter under consideration. Exclusive of surveys of the shores of Lake Winnipeg, a track survey was made from Norway House to York Factory by way of Oxford and Knee Lakes and Hill, Steel and Hayes' Rivers. The neighbourhood of York Factory from the mouth of Hayes' River for about twelve miles up, was surveyed instrumentally. The Nelson River was scaled for ninety miles upwards from its mouth, or for a distance of eighty-one miles in a straight line, and soundings and other observations were taken with a view to testing its capabilities for navigation. The same river was surveyed downwards from Lake Winnipeg for a distance of 180 miles following its general course, and numerous soundings were taken along the navigable stretches. The channels on both sides of most of the large islands were mapped, including those which form the great island, over fifty miles in length, below Great Playgreen Lake. In making these surveys, the amount of rise or fall at each rapid or chute was ascertained by the barometer, or when very slight, by placing the eye on a level with the water above, and dropping a line to that below the descent.

The general character of the country, inland from the rivers and lakes, was investigated by making short excursions to the more elevated points, and where none such existed, by climbing trees; also by diligent enquiries from hunters. About thirty photographs were taken to illustrate the various features of the region explored. Much valuable information was collected from the officers and men of the Hudson's Bay Company and from the Indians, with regard to the climate, snowfall, freezing and breaking up of lakes and rivers, and the condition of Hudson's Bay in winter. The character of the timber and vegetation was everywhere carefully noted.

The outlet of Lake Winnipeg, about a mile and a-half wide, is between the extremity of Mossey Point, at the site of Old Norway House, and the eastern shore, near Montreal Point. A strong current carries the waters through this narrow part into Great Playgreen Lake, thirty-two miles in length. From this lake the river divides so as to form an island fifty-three miles in length, which, having as yet received no name, I propose to call Ross Island, in honor of Mr. Roderick Ross, the gentleman in charge of Norway House. The body of water which passes the west side of this large island, and which might be called the West River, appears to be larger than that on the east side, which may be styled the East River. They unite in Cross Lake, at the foot of the island. Leaving Great Playgreen Lake, the water on the east side of Ross Island divides into numerous channels, which come together again in Little Playgreen Lake. Norway House is situated on

the east side of one of these channels, where it enters this lake, twenty miles in a straight line from the outlet of Lake Winnipeg. The Mission Village of Rossville stands on the east side of Little Playgreen Lake, which has a length of five miles, and contracts to form the eastern channel or continuation of East River, which is followed a further distance of twenty miles in taking the Hudson's Bay Company's boat route to York Factory, or to a point forty-five miles from the outlet of Lake Winnipeg, in a north-north-easterly direction. This channel is full of islands, and has a width varying from half a mile to two miles, except where it subsides to form a larger class of islands. The country on either side is level, with a surface of light coloured clay, underlaid by gneiss rock, which is often exposed along the sides of the rivers and in the Islands, which are usually capped with clay.

The Sea River Falls, the first interruption of smooth water in this channel, occur at thirty-seven miles in a straight line from the outlet of Lake Winnipeg. These "falls" are merely a small chute, with a descent of about four feet in each of the sub-divisions of the channel at this place. Loaded boats run down the chute, and empty ones are hauled up the current. At the extremity of an eastward bend of the river, eight miles below Sea River Falls, or forty-five miles from Lake Winnipeg, the boat route leaves the Nelson River water and turns up a small, crooked, dead water stream called the Echimamish (or little water-shed or each-way river). Following this four miles in a straight line, Hairy Lake, two miles long, is reached, and at twenty-eight miles from Nelson River we come to an abrupt termination of the western division of the Echimamish at the Height of Land Portage. This is over a nearly level rock surface, measuring only twenty-eight yards in width. The boats are easily hauled across this slight interruption and launched into another stream, but bearing the same name, which here begins at a slightly lower level as abruptly as the western part terminates. At seven and a-half miles eastward of this little water-shed this stream, which is small, sluggish and clear, unites with a larger muddy one, called the White-water River, which is the outlet of a considerable sheet of water, lying a short distance to the south, called Little Lake Winnipeg. Sixteen miles further, after passing through Robinson's Lake, we arrive at the Robinson Portage, the most formidable one on the whole route to York Factory. Here the boats are hauled a distance of 1,315 yards, over a wide and well made road with a stiff clay surface. The descent in the river amounts to about forty-five feet. From this portage all the way to York Factory the boats only require to be hauled out of the water twice, and for merely a few yards each time.

I have described the boat route as far as the Robinson Portage, in order to explain how it may be possible to extend navigation from Lake Winnipeg to this point. Steamers could now descend the river without any improvement being made in it as far as the Sea River Falls. From the head of this slight interruption they might be enabled to reach the Robinson Portage by one or the other of two routes, thus giving forty-nine miles of additional navigation, making eighty-six in all from the outlet of Lake Winnipeg.

The western extremity of Little Lake Winnipeg comes close to a bay in the East River, about two miles above Sea River Falls, and only a narrow bog is said to separate them. The river may here possibly even contribute to this lake, as the muddy waters of the latter resemble those of the Nelson River very closely. In any case they might apparently be made to communicate at this place. Little Lake Winnipeg is only a few feet higher than the stretch of water already described between the junction of its outlet (the White-water River) with the Echimamish and the Robinson Portage. The level of this stretch of water could apparently be easily raised to that of Little Lake Winnipeg by a dam at the Robinson Portage, and another across the Echimamish above the junction of the White-water, at both of which places the banks are sufficiently high for a dam, and they are not widely separated. Should these improvements be found feasible, large vessels would be enabled to reach the head of the Robinson Portage from Lake Winnipeg.

Another plan which might be found practicable would be to throw such an obstruction across the eastern channel of the Nelson River, below the Echimamish, as

would raise the water sufficiently to obliterate the Sea River Falls, which would at the same time have the effect of flooding the Echimamish across the little water-shed. This, with a dam at the Robinson Portage, would probably be the means of giving uninterrupted navigation from Lake Winnipeg to this point.

From the Robinson Portage to York Factory the distance is 243 miles, and to the highest point on the Nelson River which could be reached by steamer from its mouth, about 172 miles, or less. The intervening country does not appear to offer any great obstacles to the construction of a railway. On the contrary, its general surface is level and formed of drift materials, with little or no solid rock exposed, except in places in the banks of the rivers and lakes.

Hayes' River and its upward continuations, the Steel and Hill Rivers, were believed by the officers of the Hudson's Bay Company to be navigable at high water, for a certain class of steamers, as far as The Rock, 109 miles in a straight line from York Factory, up to which point wood was cut and piled here and there on the banks to be used by a small propeller which they imported from England, but which proved to be a failure owing to her clumsy model and weak steam-power. The distance between the Robinson Portage and The Rock is only 142 miles, so that with the slight improvement above suggested it may be possible to reduce the distance between the navigable waters extending from Lake Winnipeg, on the one hand, and that from the sea on the other, to the above comparatively short distance. As already stated, steamers from Lake Winnipeg could now reach Sea River Falls, from which the distance to The Rock is 192 miles; to the head of river navigation on the Nelson, 208 miles; to York Factory, 301 miles; and to the mouth of the Nelson River (Port Nelson) the same distance.

It will be unnecessary for the present purpose to describe in detail the remainder of this boat route to York Factory. A few remarks, however, will be necessary to complete the subject. From the junction of the eastern division of the Echimamish with the White-water, as far as Oxford or Holly Lake, the stream, which has as yet received no name, might for convenience of description be called Franklin's River, in honour of the late Sir John Franklin, who nearly lost his life by drowning in the upper part of it in 1819. Below the Robinson Portage this river expands successively to form Pine and Windy Lakes before falling into Oxford Lake, all the intervening stretches being broken by rapids. Oxford Lake has a total length of about thirty miles, and empties by Trout River into Knee Lake, which is forty miles long, and discharges itself by Jack River into Swampy Lake, ten miles long. Leaving the last named lake, the stream flows through a labyrinth of islands for nineteen miles, and then becomes almost continuously rapid as far as Brassy Hill on the south-east side, and 392 feet high, from which the river takes its name. The last rapid before reaching the sea, called The Rock, occurs in Hill River, at a distance, as already stated, of 109 miles in a straight line from York Factory. Loaded boats are easily tracked up stream as far as this point. At seventy-nine miles from York Factory this branch is joined by the Foxes River on the left side, and their united waters receive the name of the Steel River until they are joined by the Shamattawa from the right, at fifty miles from York Factory, and thence to the sea they are called Hayes' River. From The Rock to York Factory the river flows with a swift current between banks of clay, which sometimes have an elevation of about 100 feet.

York Factory stands on the left bank of Hayes' River at a distance of five miles up from the extremity of the tongue of land called Beacon Point, which separates its mouth from the mouth of the Nelson. The Hudson's Bay Company's ships from London ascend the river at high tide as far as the Factory, which is built on level ground twenty-seven feet above tide-mark. There is safe anchorage, however, at all stages of the tide in "The Five-fathom Hole," seven and a-half miles north eastward from the Factory.

A short general description will now be given of the upper half of the Nelson River. This stream, from Great Playgreen Lake, for more than 100 miles is remarkable for its straggling character. It is nowhere confined to a single channel, but

divides and sub-divides, and the channels here and there partially reunite, only to divide again, thus forming many large and a great number of smaller islands.

The channels are generally deep, with rather low banks of gneiss rock or greyish or drab-colored clay, or composed partly of each. The general descent in the surface of the country is effected by a variety of chutes and rapids, at varying intervals, in the different channels. It will thus be observed that the Nelson River does not flow in a valley, properly speaking; the facility with which it spreads itself widely in so many different channels proving the comparatively level nature of a great area, and the generally even character of the slope or descent of the country which these channels traverse.

The river has been already described as far down as the Echimamish, where the boat route to York Factory leaves it and follows a chain of lakes and streams lying to the southeast of the Nelson, some miles above the Echimamish; the East River gives off several channels, which detach large portions from the eastern side of Ross' Island. Following down one of these called the North River, the first broken water below Sea River Falls is met with where this channel rejoins that which receives the Echimamish at the eastern bend already mentioned. This break, which is called the North River Rapids, occurs at nine miles from Sea River Falls, and has a descent of five feet. At five miles further down there is a slight rapid, with a descent of one foot.

In the last four miles before entering Pipestone Lake, fifteen miles below North River Rapids, seven more rapids occur, with a total fall of eighteen feet. Pipestone Lake measures about ten miles from east to west, and connects with Cross Lake by a dead-water channel five miles long. The latter lake is so called from its lying across the general course of the Nelson River at this part. It has a probable length of thirty miles or more, with a breadth of two to four miles, but contracts to a mere creek in two places. Cross Lake has three principal outlets, but two islands in the western one increase the number to five.

Leaving Cross Lake by the central outlet, the first broken water encountered is the Ebb-and-flow Rapid, with a fall of about fifteen feet. In the western outlet this descent is spread over a length of two miles; but midway down these rapids, part of the water escapes to the west, at right angles, forming a steep descent of about twenty feet, called the Pelican Falls. The principal discharge which leaves the still water at the foot of the Ebb-and-flow Rapid subdivides itself into three parts at the White-mud Falls, each of which appears to have as much water as the Ottawa River at the Chaudiere Falls.

The other discharges in this part of the river would probably represent nearly or quite as much more water, so that the Nelson River, when united into one channel, may be said to be, at any rate, four times the size of the Ottawa at the Capital. Beginning at four miles below the White-mud Falls, which have a descent of about twenty feet, there is a mile of swift water with a fall of about three feet. Two miles from the foot of this current is the chute at the Bladder Portage, with a fall of ten feet. Four miles further on, the river divides at the Forks, one portion flowing west to Duck Lake, and the other north to Sipi-wesk Lake, into which the discharge from Duck Lake falls, at a distance of sixteen miles, in a straight line, from the Forks.

In the last mentioned or direct channel, two chutes occur between the Forks and Sipi-wesk Lake, the first at the Overhill Portage, with a fall of fifteen feet, and the second at the Red Rocks Portage, with a descent of ten feet. Two rapids occur above and one below the latter, with a fall of about two feet in each, or six feet in all.

There is a slight rapid, with a fall of about one foot, at the Chain-of-Rocks Rapid, four miles before reaching Sipi-wesk Lake. From the Red Rocks Rapid, the river is continuously navigable for steamers to the Grand Rapid, a distance of about 108 miles. The length of navigable water may be greater by following the channel which leads up to Duck Lake, or even the long north-western bay of Sipi-wesk Lake. The main channel of this lake is thirty miles long and full of islands. The volume of water passing through it is so great as to give a perceptible current. At its outlet the waters of the Nelson River have all come together, for the first time, into one

channel, which has an average width of only a quarter of a mile, and much less at a few points. The depth along the middle was found to average from forty to fifty feet. The current runs from two to four miles per hour, except at a swift place, called the Devil's Rapid, and another between three and four miles below it, where the velocity is greater, but still these swift places could be ascended by steamers. From Sipi-wesk Lake the course of the river is north-east for twelve miles, and then north by east, and nearly straight for about fifty-eight miles to the Grand Rapid.

The following table is a recapitulation of the distances, in straight lines, between the rapids or chutes on the Nelson River (by the channels followed) and the amount of fall in each. Those which might apparently be run downward (without improvement) by a river steamer are marked thus (\*); those which might apparently be passed both upward and downward are marked thus (\*\*). In some cases channels which were not examined might offer greater facilities for navigation than those which were explored:—

	Miles from last fall.	Fall in feet.
Sea River Falls, 37 miles from outlet of Lake Winnipeg (*) .....	.....	4
North River Rapids (by another channel, probably *) .....	9	5
Slight Rapid (**). .....	5.	1
Seven rapids in four miles. (Three of them **, and two *) .....	6 to 10	18
Ebb and Flow Rapids (the corresponding rapids in the western channel *) .....	22	15
White Mud Falls .....	4	20
Swift water (for one mile **) .....	4 to 5	3
Bladder Portage Chute (*) .....	2	10
Overhill Portage Chute .....	6	15
Small Rapid (**). .....	1½	2
Small Rapid (**). .....	1	2
Red Rocks Rapid (crooked) .....	½	10
Small Rapid (**). .....	½	2
Chain-of-Rocks Rapids (**). .....	4	1

108

The general character of the country bordering the Nelson River from Norway House to the Goose-Hunting River, is pretty much the same. The whole surface appears to be overspread with light greyish clay, which forms an excellent soil. The rocks are seen beneath the clay in the islands and along the banks; and in the vicinity of the rapids, they crop out over a greater or less area. Where the river has formed itself into the single deep straight channel of almost uniform width from Sipi-wesk to Split Lake, the east bank is composed of clay, almost continuously, while more or less rock is exposed on the west bank. Higher up the Nelson, much bare rock is seen along the West River, and the soil is mostly sandy and poor all the way from Great Playgreen Lake to Cross Lake, thus contrasting with the margins of the East River. My track-survey did not extend much beyond Goose-Hunting River, but a country similar to that explored above this stream is said to continue to Split Lake.

Between the Grand Rapid and this lake, the Chain-of-Islands Rapid is said to be the only interruption to easy navigation.

From Gull Lake to the point which I reached from the sea, the river is broken by a number of bad rapids.

The lower part of the Nelson River from the sea upward will now be described.

Beacon Point, the low tongue of land lying between the mouths of the Hayes' and the Nelson Rivers, terminates in a shoal which projects a considerable distance out to sea.

I explored the latter river, as already stated, for about ninety miles from its

mouth, or to a point lying eighty-one miles in a straight line, south-west from the ordinary high tide mark, at the extremity of the above tongue of land. In making a careful track-survey of this part of the Nelson River, its possible future use for the navigation of large vessels was constantly kept in view, and numerous soundings were taken, not only between Beacon Point and head of tide, but as far as the first rapid. The width of the channel, velocity of current, nature of the banks, &c., were also noted.

The width of the mouth of the river, from Beacon Point to the opposite shore, is about six or seven miles at high tide, but the extremely flat nature of the country renders it difficult to draw an exact line between the land and water. Above this, for ten miles, the width is from three to four miles, at the end of which distance it narrows gradually till the head of tide water is reached at the upper end of Seal Island, twenty-four miles from Beacon Point, where the breadth is only about one mile and a-half. At low tide the space between the banks in the estuary of the river is found to be occupied by mud-shoals scattered over with boulders, with a channel winding down the middle. This channel is rather narrow and its bottom irregular. It has an average depth of two to three fathoms at low tide as far as Flamborough Head, a prominent point 126 feet high, on the north-west side, nineteen miles from Beacon Point. At the mouth of the river, the average spring-tides amount to about twelve feet, and neap-tides to about six feet.

The foot of Gillam's Island, the first in the river, is twenty-two and a-half miles from the extremity of Beacon Point, and the head of the next, or Seal Island, much larger than Gillam's, is a mile and a-half higher up. The shallowest part of the river anywhere noted was just at these islands, the depth being only about ten feet. The bed of the river consists of shingle, resting on boulder clay.

From this shallow part, at the head of tide, the average depth of the centre of the river was found to be twenty feet, as far as I went, but sometimes the soundings showed over thirty feet. The mean velocity of the current in the middle of the river is about two and a-half miles an hour, and the general width of the stream is about three-quarters of a mile. Besides a few shingle and grassy islands, exposed only during low water, twenty-six timbered islands occur in the above distance. With the exception of a few exposures of limestone, the banks are composed of fine drift clay. In ascending from the sea they gradually rise from the level of high tide at the mouth, to an elevation exceeding 100 feet abreast of Seal Island, and this height is maintained on one side or the other as far up as I followed the stream. The banks on both sides usually rise steeply from the edge of the river or at a short distance back from it. Occasionally, the almost perpendicular banks of clay are nearly 200 feet high.

The rapid, near the highest point which I reached, is not a formidable one, and has an even descent amounting to only a few feet. It might be ascended by a steam-boat of strong power, in which case an additional stretch of good navigation would be gained, which my Indians estimated at fifteen miles. At the end of this stretch, the Limestone Fall, a cascade in several steps, is reached.

Before concluding, I may be permitted to make a few remarks in regard to the proposed construction of a highway to connect the seaboard with the system of inland navigation which centres in Lake Winnipeg.

Assuming that the products of the North-West Territories can be carried to Europe and elsewhere through Hudson's Bay and Strait, the great importance of opening communication to some point at or near York Factory, as soon as circumstances will permit, must be patent to every one. The centre of the great agricultural region, lying between the United States boundary and the Mackenzie River, is more than 300 miles nearer to Norway House than to Winnipeg, and the former is 100 miles nearer to York Factory than the latter is to Thunder Bay, on Lake Superior. As to the question whether we should look forward to the construction of a canal or a railway as the most advantageous means of connecting Lake Winnipeg with Hudson's Bay, it appears evident, from the facts which I have given, that the latter is both the most practicable and desirable, for the following, amongst other reasons:—

Without entering into any calculation as to the saving in time, which would be a great object in the consideration of the question, I shall merely allude to a few points bearing upon the actual construction of either of these means of communication.

The descent from Lake Winnipeg to the sea is about 100 feet greater than the whole fall from Lake Superior to the Gulf of St. Lawrence. The boat route by Oxford Lake and Hays's River would be impracticable for a canal, owing (amongst other causes) to the small supply of water and the continuously rapid descent all the way from Swampy Lake.

The Nelson River has the advantages of an ample body of water, some navigable stretches, and but little variation in its volume at different seasons of the year. Probably about 250 out of the total rise of 710 feet between the level of the sea and that of Lake Winnipeg, would require to be surmounted by locks. These would need to be cut through Laurentian gneiss, one of the most expensive kinds of rock to excavate. Then a canal would be open for only half the year or less, whereas a railway here could be used at any season, the snow-fall in this region being lighter than in some of the more southern parts of Canada. In constructing a railway, few or no rock-cuttings would apparently require to be made, and there would even probably be but little earthwork. No rivers or lakes are known to cross any part of the route, and the line might be constructed in almost a straight course from Sea River Falls to York Factory or Port Nelson. Some swamps, small lakes, and a few brooks, such as the head branches of the Foxes River, would, in all likelihood, be the most serious obstacles encountered.

The cost of building a railway through this region would, perhaps, not exceed thirty thousand dollars a mile, in which case the following table would exhibit approximately the total sum necessary to open the best kind of communication between the sea and our North-West Territories :—

	Miles.	Cost at \$30,000 a mile.
Sea River Falls to York Factory or to the mouth of the Nelson River.....	301	\$9,030,000
Sea River Falls to head of river navigation on the Nelson River.....	208	6,240,000
Robinson Portage to the same point.....	172	5,160,000
Robinson Portage to York Factory or to the mouth of the Nelson.....	243	7,290,000
Robinson Portage to The Rock (on Hayes' River).....	142	4,260,000

The fine clay soil along the upper half of the Nelson River has been already referred to. All accounts agree in representing that an equally good clay soil, with occasional interruptions of rock, extends thence north-westward through the region drained by the Burntwood River and all the way to the Churchill.

A similar country may be said to extend all along the boat route from Norway House to York Factory. In the northern half of this distance the surface, except close to the rivers, appears to be generally level, wet and covered with sphagnum, but it supports a growth of rather small spruce and tamarac timber. Looking from the top of Brassy Hill, near Hill River, the surface of the country appears level, in a general way, in all directions, but minor undulations and banks of earth, interspersed with small lakes, are also visible. This view is said to represent a good average example of the whole region between the Laurentian area and the sea, from the Weenisk to the Churchill River, embracing, perhaps, upwards of one hundred thousand square miles. Good land is reported to extend over a considerable area southward from this boat route, including the country around God's Lake and the head waters of the Severn River. But the district lying east of Lake Winnipeg is reported to be generally rocky and swampy. The southern limit of the perpetually frozen ground is said to cross Hill River about The Rock, but there is much doubt as to the correctness of this theory, since any observations hitherto made have been on exposed



---

---

river banks or beneath a thick coating of vegetable matter in the woods. Under either of such circumstances "perpetual frost" may be found in the latitude of Montreal. That the soil is fertile is proved by the gardens at Norway House, Cross Lake, and Oxford House, at all of which very fine root crops and vegetables are grown. Barley ripens well as far north-east as Oxford House at least. At York Factory potatoes are the only crop at present cultivated

The most useful kinds of timber in the region under consideration are the spruce and tamarac, which extend to beyond the Churchill River, and also the Banksian pine, which is found almost as far as York Factory; these species would all be valuable for railway ties and telegraph poles, as well as for fuel. The white birch ranges to the Steel River, while the northern limits of the aspen, the balm of Gilead and several kinds of willow are beyond the Nelson River.

I have the honor to be, Sir,

Your obedient servant,

(Signed) ROBERT BELL, M.D.,

*Graduate in Civil Engineering.*