



# SURVEYORS' LEVELS

---

## CANADIAN AGENTS

E. R. WATTS & SON, CANADA, LIMITED

OTTAWA · 45 BANK STREET  
WINNIPEG · 65 ALBERT STREET

MONTREAL  
NATIONAL TRUST BUILDING  
151 ST. JAMES STREET

TORONTO  
210 KENT BUILDING

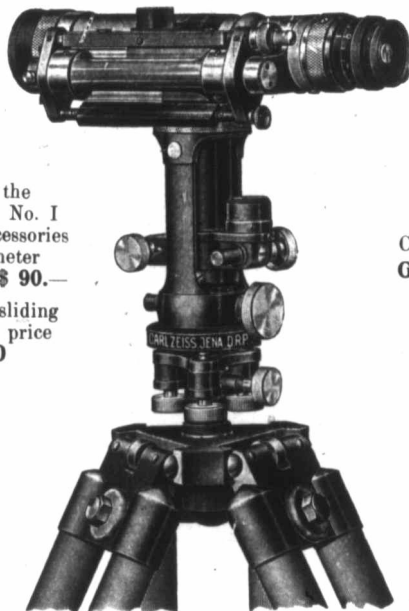
Reference: Geo 3.

6-7413

## Zeiss Level No. I with Stand.

Price of the  
Zeiss Level No. I  
with all Accessories  
and Telemeter  
Attachment \$ 90.—

Stand with sliding  
legs, Extra price  
\$ 7.50



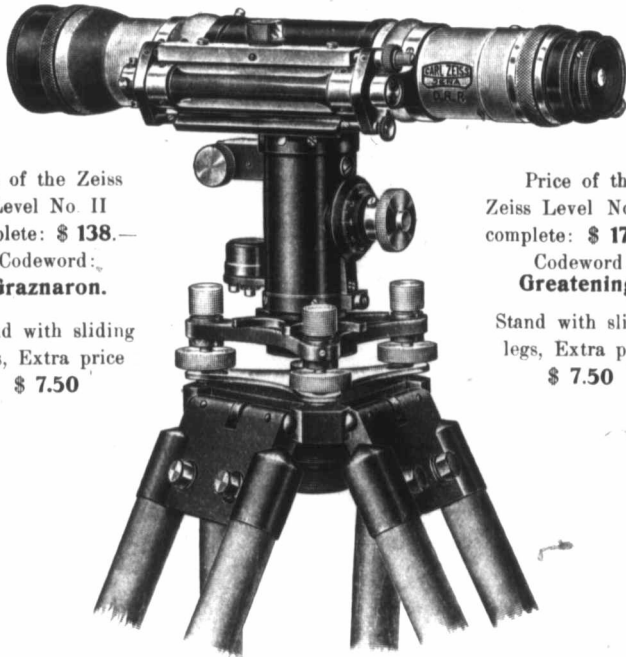
Codeword:  
**Graziiger.**

2901

Small Level fitted with novel devices for viewing the bubble without parallax and for rapidly verifying the adjustment from a single station point (by Wild's method).

The telescope has an internal focussing lens and two object glasses and is available for sighting in either direction, which furnishes a means of obtaining with the utmost rapidity a perfect adjustment. The level is fitted with a new prism arrangement by means of which the position of the reversible bubble can be controlled from the ocular as well as the objective end, as the case may be. By this arrangement the two ends of the bubble are made to appear coincident at the centre of their run instead of being set to a scale. The level attaches to a stand by means of a socket and cylinder arrangement. The telescope is only 8 inches long, and the entire instrument in its case weighs  $4\frac{1}{2}$  lbs. Its small dimensions notwithstanding the instrument is capable of a degree of accuracy which suffices for ordinary surveying operations in road making, railway construction and civil engineering in general. The object glass has a free aperture of 27 mm ( $1\frac{1}{2}$ "') and the telescope magnifies 20 diameters. The stand is light, yet rigid, and has no set screws.

## Zeiss Levels Nos. II and III, with Stands.



Price of the Zeiss  
Level No. II  
complete: \$ 138.—  
Codeword:  
**Graznaron.**

Stand with sliding  
legs, Extra price  
\$ 7.50

Price of the  
Zeiss Level No. III  
complete: \$ 170.—  
Codeword:  
**Greatening.**

Stand with sliding  
legs, Extra price  
\$ 7.50

2899

Large Level, similar in its general design to the No. I Level, except that it has a gradienter screw and lever for setting the bubble accurately and with ease. The instrument is mounted on a detachable tripod. It attaches to the stand by means of a central screw without a spring. The stand, which weighs only 9 lbs, is exceedingly rigid and has self-retaining legs. The instrument is available for levelling operations demanding the highest degree of accuracy, for taking an extensive series of readings from a single station, and for purely scientific purposes. The free aperture of the object glass is 35 mm ( $1\frac{3}{8}$ "') and 45 mm ( $1\frac{5}{8}$ "') respectively, and the instrument has a magnifying power of 28 and 35 diameters respectively.

## Zeiss Level No. IV with Stand.



Price of the complete instrument together with Telemeter Attachment \$ 55.—, with spherical level \$ 3.— extra.

Stand with sliding legs, Extra price \$ 7.50

Codeword:  
Greastro.

Small level with new pattern telescope (fitted with Wild's inside focussing lens). The instrument is exceedingly rigid and will stand a considerable amount of hard use. The stand attaches to the level in a very simple manner, and the same applies to the accommodation of the instrument in its case.

The telescope magnifies 20 diameters and gives a very clearly defined and bright image. Staff divisions of  $\frac{1}{2}$  inch can be read at a distance of 350 yards. The bubble casing and the telescope are made in one piece. A slow motion and clamp are provided for the rotation of the telescope about the vertical axis. The bubble is set with the aid of the tribrach screws. The instrument is adapted for practical levelling operations and, thanks to its exceedingly rigid design, is particularly well adapted for use as a contractor's level.

The telescopes of all three levels have stadia diaphragms with a ratio constant of 1:100.

---

*The prices are strictly nett for prompt cash and do not include the cost of packing and carriage.*