

WEATHER FORECAST.

TORONTO (noon)—Moderate winds... WEDNESDAY—E. and S.E. winds...

VOLUME XLVII. \$6.00 PER YEAR. ST. JOHN'S, NEWFOUNDLAND, TUESDAY, MAY 5, 1925. PRICE: TWO CENTS. NUMBER 101.

The Evening Telegram

SUBSCRIPTION RATES:

Local and Canadian . . . \$6.00 per year. Great Britain and U.S.A. . . \$13.00 per year.



IT IS AN AX-IOM of good sense that in times of peace it is well to prepare for war. We might put it in another way and say, in time of Safety prepare for Danger. Take out a FIRE INSURANCE POLICY when there is no apparent danger of FIRE, because the latter will probably come—as it always does—when and where it is least expected. The cost is trivial. SEE US NOW!

TESSIER'S INSURANCE AGENCIES, Water St. 'Phone 244.

Auction Sales! Live Stock Market, Marshall's Wharf

We will sell On Wednesday Next, at 11 o'clock sharp 70 Head Cattle

Part Household Furniture and Effects. Wednesday, May 6th, No. 15 Maxse Street.

Joseph Fitzgibbon, Auctioneer. 15 Steel Glycerine Drums

FOR SALE. 50 gallon capacity. Any reasonable offer accepted; apply IMPERIAL TOBACCO CO.

FOR SALE. Freehold property on Topsall Hill well known as "WOODSTOCK"

FOR SALE. At Corner Brook, Two Good Building Lots on Main Road

For Sale!

That freehold property known as Farrell's situated on the corner of Duckworth Street and Custom House Hill

WOOD & KELLY, Temple Building, Duckworth St.

FOR SALE

At Corner Brook, New Large Single Story Building with large basement. This is a splendid opportunity to secure a good business stand.

FOR SALE

A House situated on Duckworth St. three doors east of Cochrane Street, commanding an excellent view of the harbor.

FOR SALE

A VERY DESIRABLE FARM situated on Freshwater Road, about ten minutes walk from city, containing 22 acres of farm land

FOR SALE

That desirable Freehold Dwelling House with Garage attached, No. 288 (formerly 250), Duckworth Street.

TO LET

THREE FLATS (comprising 20 rooms), suitable for Tourist Hotel, in Times Building, Duckworth Street East, immediate possession; apply TIMES PRINTING OFFICE.

NOTICE

Furniture repaired and upholstered, over-slips made to order, carpets made and repaired and fitted, packing and shipping household furniture, etc.

JOSEPH NOSEWORTHY, Cabinetmaker and Upholsterer, 'Phone 1641W. 43 Pennywell Road, may5,21

ON THE AIR

NIGHT and DAY. When you want your clothes cleaned, pressed, dyed or repaired, and put in first class condition, at short notice and at lowest cost

A Service

To provide for the needs of man or woman—Whose condition of HEALTH—interferes their happiness.

DR. WM. H. MACPHERSON, Chiropractor, 11 Atlantic Ave. 'Phone 1697M.

Chimney Sweeping since 1860, Carbery, 6 Fleming St., 'Phone 95R. may2,4i



Until further notice members of Lodge Dudley, No. 227, S.O.E. B. S., are requested to address all communications, notice of illness, etc., to CHAS. W. UDLE, Act. Secretary.

TO LET

ONE ROOM, suitable for Office or Sample Rooms; apply to GEO. H. HALLEY, LTD., OFFICE: 137 Water Street. may5,21 and phone 650

The Avalon Dye Works

Dyers and Dry Cleaners. The most up-to-date and best equipped Dyeing and Dry Cleaning establishment in the country. First Class Work Guaranteed.

THE BEST CROPS

AMMONIUM SULPHATE is acknowledged to be the best chemical fertilizer extant, for FARM or GARDEN. By its use large Crops are assured.

Radio Set for Sale.

One Fried Eisemann N. R. 6 Neutrodyne Receiver, complete outfit, with tube, loud speaker, 150 ampere hour storage battery, antenna outfit. In use only a few months. A \$350 value for only \$250; apply P. O. Box 606. may5,21

GRAND CONCERT!

(Under auspices St. George's Day Celebration Committee). SYNOD HALL, TUESDAY, MAY 5th. Performers: M. G. Band; Mrs. C. F. Garland, Mrs. J. J. Miller, Mrs. Alex. Mews; Misses Jean Taylor, B. Langmead; Messrs. Alex. W. Mews, S. Richard Steele, Macklin, Redmond; also D. Delmar and daughter.

WANTED

AN EXPERIENCED DRAPER; apply by letter, stating experience to The Royal Stores, Ltd. may2,21

WANTED

By June 3rd, A COOK; apply to MRS. M. S. SULLIVAN, may4,1f 36 Circular Road.

NOTICE

TO HOLDERS OF ST. JOSEPH'S SWEEP TICKETS. Owing to our desire of making a small margin of profit, we find that a sufficient number of tickets to cover the total and a half (1 1/2) and the total to three-quarter catch are not issued—consequently the two pizzas will be withdrawn.

IMPORTERS' ASSOCIATION.

The Annual Meeting will be held in the Council Chamber of the Board of Trade, on Wednesday, May 6th, at 4 p.m. A large attendance is requested.

A HIGH CLASS FOOD PRODUCT.

CRISCO is a well-known food product of exceptional merit. For frying, shortening, and all the purposes of fat, CRISCO is the ideal thing. No smoke, no odor from CRISCO, and after frying, it can be strained and used over again.

Browning's

NEW SODA CRACKER CALLED "CRISBIT" is the finest Soda made. "THE TASTE WILL TELL." See the name "CRISBIT" on every Biscuit.

Cadiz Salt!

Afloat and ex. Store: Beck's Cove.

COAL!

SCREENED NORTH SYDNEY. BURNSIDE \$12.28 WELSH ANTHRACITE \$20.00

A. H. Murray & Co. Ltd.

Coal Office: 'Phone 1867 Beck's Cove

Forty-Six Years in the Service of the Public—The Evening Telegram.

WANTED

AN EXPERIENCED DRAPER; apply by letter, stating experience to The Royal Stores, Ltd. may2,21

WANTED

By June 3rd, A COOK; apply to MRS. M. S. SULLIVAN, may4,1f 36 Circular Road.

S. U. F.

The Regular Meeting of St. John's Lodge, No. 5, will be held Tuesday, May 5th, at 8 p.m. Every member is urgently requested to attend.

St. Patrick's Ladies' Institute

There will be a Special Meeting of the Ladies of the above Association on Thursday evening, May 7th, after Prayers, in the Parish Hall. A large attendance is requested. Annual Fees will be collected.

B. I. S.

There will be a Meeting of the B. I. S. Ladies' Auxiliary, on tomorrow, Wednesday evening, May 6th, 8.30 p.m. Business important.

St. Mary's Sanctuary Guild

will hold a Sale of Work in the Parish Hall on Wednesday, May 6th, at 8.30 p.m. A fine assortment of Fancy Work, Bungalow Aprons, Tea Aprons, Child's Dresses and Underwear, etc., for sale, also Candy and Ice Cream.

LOST—Between Parker & Monroe's

On Sunday Afternoon, a Boy's Bag, between Mount Pearl and city. Finder please return to CENTRAL BAKERY and get reward. may5,1f

LOST—On Sunday Afternoon

between Duckworth Street and Southside, by way of street car, a Bunch of Keys (one marked U. S. A.). Finder will be rewarded on returning same to 134 Duckworth St. may4,21

PICKED UP—On Mount Pearl Road

on Sunday afternoon, Baglan Coat. Owner can have same by proving property and paying cost of ad, on application to Telegram Office. may5,1f

White Japanned Bread and Cake Boxes

13 x 11 x 11. Special price \$23.00. W. J. CLOUSTON, LTD. may4,2f

Ask Your Grocer for Rat-sticker

—Rat-sticker used by London Borough Council, non-poisonous, compound rat, more rat traps, terrier, D.W.G. & Co., insect fluid, smoke for rats, and gold letter for trucks, cars, grips. A. E. MORGAN, 26 Carew St. may5,21

WHY NOT EXCHANGE

your old typewriter for a new "Woodstock"—The best you can get. Ask us why. BUTLER BROTHERS, "The Fountain Pen Centre," 161 Water St. may5,21

FOR SALE—A Five Tube Neutrodyne Radio Set in perfect condition, complete with storage battery and three "B" batteries. A snap if applied for at once; apply to Box 34 c/o this office. may5,21,ead

FOR SALE—Ford Sedan just overhauled and painted, good tyres. Ford 1 Ton Truck in good condition. Overland Sedan just overhauled and painted, good tyres. PARSONS THE AUTO MAN, King's Road. may5,1f

FOR SALE—At a Bargain, Freehold Land, Newferry Road. Further particulars on application to JOHN O'BRIEN, 10 Belvedere Street, or R. A. PARSONS, Solicitor, Bank of Montreal Building. may5,21

STAMPS FOR SALE—25 complete sets Cabot issue, 50 complete sets Caribou issue, 1 Brown Seal, 1 Black Seal and a few of the Prince issue; apply to the BRITISH STORE, 400 Water Street. may5,21

FOR SALE—A Baby Carriage in good condition; apply to 21 Sudbury Street. may5,21

FOR SALE—House, Partly finished, 48 Franklin Avenue; apply on the premises. A bargain. may5,1f

FOR SALE—Freehold Building Lots, measures 25 feet frontage and 90 feet rearage, on east side of Leslie Street, 3 minutes walk from Water Street. I want every working man to build a home of his own and not to be paying ground rent. My price \$100.00 per building lot; apply 37 Leslie Street. may2,21,utu

FOR SALE—Building Lot on Waterford Bridge Road, opp. General Protestant Cemetery, 40 x 150 ft.; apply ROOM 5, Gear Building, Phone 1941. apr2,10,dtf

FOR SALE—A Freehold Dwelling House, situate No. 35 Golf Avenue. The land is about thirty-five feet frontage by one hundred and twenty feet rearage. Electric light and water and sewerage. Immediate possession. For particulars apply on the premises or to WOOD & KELLY, Temple Building, Duckworth Street. may4,1f

FOR SALE—Pekingese Dog aged three months, full pedigree, black mask, good bone, a beautiful pet. MURPHY, over McMurdo's, Water St. may4,21

FOR SALE or TO LET—Dwelling House, No. 38 Franklin Ave., electric light and water connections, etc.; apply to M. & E. KENNEDY, Contractors, Renouf Building, apr28,1f

FOR SALE—At a Bargain, a Leasehold Building on Gear Street, which could be easily converted into a Dwelling House. For further particulars apply to WOOD & KELLY, Temple Building, Duckworth Street. mar31,1f

FOR SALE—A Dwelling House on the West side of Prescott Building above Bond Street. Immediate possession. For further particulars apply to WOOD & KELLY, Temple Building, Duckworth St., St. John's. apr7,1f

FOR SALE—Leasehold Dwelling House, 165 Military Road. Possession November 1st next. For further particulars apply to WOOD & KELLY, Temple Building, Duckworth Street. apr15,1f

FOR SALE—A Very Desirable Residence and Grounds situate Waterford Bridge Road. The dwelling has all modern conveniences, can be inspected at any time. Immediate possession. For further particulars apply to WOOD & KELLY, Temple Building, Duckworth Street. apr16,1f

FOR SALE—That Freehold Property situate Water Street, West, immediately opposite Royal Bank of Canada. For particulars apply to WOOD & KELLY, Temple Bldg., Duckworth Street. mar14,1f

FOR SALE—A Very Desirable Leasehold Dwelling House on LeMarchant Road. For further particulars apply to WOOD & KELLY, Temple Building, Duckworth Street, St. John's. apr9,1f

TO RENT—House, No. 18 Maxse Street, immediate possession; apply to P. O. Box 65129. may1,1f

TO LET—That Beautiful Residence on the Kenmount Road, 2 miles from town—opp. Dr. Carnell's bungalow, containing 4 bed rooms, living room and kitchen with garage. If required; apply 20 Freshwater Road, apr22,1f

HOUSE TO LET—Superior dwelling, East End of the city, 11 rooms, modern conveniences, good locality; prefer to sell; terms to suit purchaser; apply by letter to Box 35, Telegram Office. feb10,10,s,1f

Opening Announcement—"Veteran" Cafe now open to the public, under the management of MR. MICHAEL LACEY, better known as "Mickey", 385 Water Street West. may5,21

Painting, Paperhanging, Graining and Callimining; reasonable prices, all work promptly attended to; apply to MR. E. ASH, 16 Gill Street, off Pilot's Hill. may4,21

NOTICE—Mr. A. J. Wescott having started in business for himself is prepared to do all kinds of carpentering, building, and also furniture repairing. If you have anything to be done in this line, call at 51 Franklin Avenue, or 'phone 735W. may2,21

Floyd Collins' Life Story—"The Tragedy of Sand Cave," 60,000 words, 200 illustrations; sent post paid direct from publisher in Kentucky, for \$1.00. Order now. H. D.A.Y. Bell Island Mines. may2,21

WANTED—Immediately, a Schooner to take freight for Trinity Bay; apply NFLD. ATLANTIC FISHERIES, LTD. may5,21

WANTED—Motor Cycle and Sidecar, good condition. Full particulars required; reply to Box 36 Evening Telegram. may5,21

WANTED—To Rent, Unfurnished Rooms, suitable for one person; apply by letter to "ROOMS," c/o this office. may4,21

WANTED—To Rent, a House of 6 or 7 rooms, with modern conveniences, locality central or West End of city. Reply by letter, stating terms, etc., to H.S., c/o P.O. Box 65189.

HELP WANTED.

DOMESTIC HELP. WANTED—A Good General Girl; apply to MRS. F. J. O'KEEFE, 89 Hamilton Street. may5,21

WANTED—By May 10th, a General Maid, three in family; apply evenings between the hours of 7 and 9 to MRS. G. M. PADDON, 22 Wood Street. may5,21

WANTED—Two Maids to go to country for summer months. References required; apply to MRS. J. ROBINSON STICK, 380 City Terrace. may5,1f

WANTED—A General Girl, small family; apply 35 CHIFFINOT Street, corner Flower Hill and Clifford St. may5,21

WANTED—A General Girl apply to MRS. WM. LOCKE, No. 6 Adelaide Street. may5,21

WANTED—Immediately, a General Maid in small family; washing out; reference required; apply 3 Waterford Terrace, Waterford Bridge Road. may4,1f

WANTED—A Good General Girl in small family; washing out; references necessary; apply No. 7 Bell Street. may4,21

WANTED—A General Girl apply 57 Franklin Avenue. may4,21

WANTED—At Once, a General Servant; apply with reference to 67 Springdale St. may2,4i

WANTED—At Once, a Good General Maid; apply to MRS. J. BAGGOS, 27 Leslie St. may2,21

WANTED—A Maid with knowledge of plain cooking; apply with references to MRS. R. LEITH, corner of Sheehan's Street and Forest Road. may1,1f

MISCELLANEOUS.

WANTED—An Experienced Girl for Grocery Store; apply W. E. BEARNS. may5,1f

WANTED—A Few Experienced Machinists for our Coat, Overalls and Shirt Departments, and also a few learners, both for hand and machine sewing; apply NFLD. CLOTHING CO., LTD. may5,1f

WANTED—An Experienced Presser (on coats), and also two strong youths as learners; apply NFLD. CLOTHING CO., LTD. may5,1f

MALE HELP

WANTED—A Youth of about 17 to 19 years of age for our Cutting Department; must be intelligent and energetic; one who has had some previous experience will be given preference; apply NFLD. CLOTHING CO., LTD. may5,1f

WANTED—A Smart Boy; apply S. O. STEELE & SONS, LTD., opp. Senmen's Institute. may4,1f

WANTED—A Bread Baker capable of taking charge of Bread Baking; apply to MOORE'S BAKERY, 13 Trion Street. may1,1f

Delightfully Fragrant
"SALADA"
TEA
 has a pure, fresh flavor beyond compare. Ask for a package today.

LORD MORDEN'S DAUGHTER
 — OR —
THE TRAGEDY OF THE CEDARS.

CHAPTER XXII.

"Don't forget the honor, etc.," sneered Sir George. "Well, let me hear upon what terms I am to be obliterated."

"If you leave here at once, I will give you a thousand pounds, and you may go where you will. Whether you accept or not will have no influence upon my determination to unmask you."

"This has been in your mind for some time," hic-coughed Sir George. "Both you and Clara have a strong desire to be rid of me."

He staggered to his feet, and walked to a sideboard where several decanters stood, and proceeded to refresh himself again.

"Don't interfere," he growled, in a tone of menace; "and don't think that I wish to hurt you bodily. You are far too valuable to me for that."

He sat down again presently, and Melville moved uneasily under the steady glare in his eyes.

"I will give you half an hour to decide," he said, but Sir George interrupted him.

"I have already decided, and want this business settled at once," he replied. "I may be a bit fuddled, but I know what I am doing. I quite understand that where I am disgraced is sure to follow I have been black-balled out of every decent club in London. I am a race-course welcher, and I can never play baccarat without cheating. It is a mania with me to try and do people, and until I get the best of them I know no peace. But it is wrong to blame me. I call it downright cruel of my father to die and leave me penniless. I call it infamous of my wife's father to leave every fraction of his paltry income to my daughter. I must live, and I am a creature of misfortune. I know that I am your bete noir. I know that my own child detests me!"

He wiped a drunken tear from his eyes.

"You have made things hard for everybody," Melville said, "and you are far from being the injured creature that you would have people believe."

"You ought to know, if anybody does."

The baronet helped himself to another glass of brandy, adding:

"And I mean to cling to you, Arthur, to the last. You will not send any information to the police, but you will agree to any terms I like to dictate."

Melville laughed scornfully, but his hands trembled so that he could not hold the cigarette—he was attempting to roll.

"Yes, it is share alike—say three equal parts—you, Clara and myself. That's the only arrangement I will accept. No—don't touch the bell! Let me explain. I know that you and my handsome daughter have fooled young Locksley, and the old gentleman's confession and last will are not in the safe—at least not that one."

Constipation makes a sallow skin—drive it out with Kellogg's ALL-BRAN

Don't let constipation rack and ruin your beauty and health.

Constipation can ruin your good health. Take no chances. Drive it out—and keep it out of your system. Do not let its poisons gather in your body—poisons which lead to over forty serious diseases. Unpleasant breath is a warning. So are pimples and blotchy skin. Kellogg's ALL-BRAN brings permanent relief in the most chronic cases, if eaten regularly. It is guaranteed to do so or your grocer returns the purchase price. Only ALL-BRAN is wholly effective—that is what Kellogg's is, 100% bran. That is why doctors recommend it—they know it brings results. It has brought relief to thousands when all else has failed. You will like the nut-like flavor of Kellogg's ALL-BRAN. Eat at least two tablespoonfuls daily—in chronic cases, with every meal. Ready-to-eat with milk or cream. Sprinkle it over other cereals. Fine with fruits. Kellogg's ALL-BRAN is made in London, Canada, and served by leading hotels and restaurants everywhere. Sold by all grocers. Get a package today.

Melville leaped to his feet with the bound of a tiger.

"You lie!" he rasped. "Oh, no, I don't," the baronet hic-coughed. "See here!"

He jingled together a couple of new keys.

"I stole the papers last night, and know all your tricks. If I am not worthy of some consideration, I'll put the will in the fire, and send the rest to young Locksley. I can upset the whole plot, my dear nephew, and prove that your annuity is not worth the paper upon which it is written. A man cannot give away that which belongs to another."

Melville had become as limp as a rag, and eyed his uncle with the glare of a helpless snake.

"I shall have to make terms with you," he said, weakly; "but for Heaven's sake, keep a guard upon your tongue, and let the drink alone. Those papers must be restored to the safe—must, I say!"

"I am willing," replied Sir George. "I believe that we understand each other now, and I know sufficient to prick your bubble if you should ever attempt to play me false. They shall be put back to-night. I dare not attempt it now. You can meet me here—say about twelve—and I will satisfy you. Meanwhile, I think I will have a hot bath and go to bed. I know that I am a fool when drunk—but not such a fool as I look—eh, Arthur?"

He chuckled, and staggered away, Melville eyes following him in a dazed sort of way.

CHAPTER XXIII.

Peters dropped by his master's side and rapidly tore away the collar of his dressing-gown, at the same time thrusting one hand against his feebly-beating heart.

"He is not yet dead, but he is dying," groaned the valet. "Will he recover consciousness to denounce the scoundrel who has killed him!"

His long attendance upon the invalid had given him a knowledge of all the restoratives and treatment needful, and at last he had the satisfaction of seeing the features grow less tense and livid, and hearing that the breathing, though faint, was regular.

In a little while his eyes roved round the room, and Peters was promptly at the bedside.

"Are you better, sir?" he said, anxiously. "I did not send for the physician or alarm the house, because Mr. Edmund has told me so many times what to do when you are ill."

"Thank you, Peters; I am sure that you have saved my life, and if I live to do justice, that is all that I desire."

Again his eyes wandered round the chamber, an expression of terror in them.

"Where is Viscount Melville?" he whispered. "Does he know that I am

recovering from the worst attack I have ever had?"

"No, sir! the villain! He thinks that you are dead on the floor! I heard something that had passed between you, and he went away, with a terrible laugh on his face, when he believed that he saw your dead body before him."

Peters shook his fist venomously. "I am not going to die," said Locksley. "I will not die until I have righted an awful wrong. I did not know that Dora Doome lived. No, I am not so bad as that, with all my faults, and what cruel fate could have thrown the poor child in the way of my unhappy son! Oh! it would seem that the foul fiend himself had conspired with fate to add a million times to my torture!"

Then he turned feverishly to his valet.

"The papers I spoke of, Peters; I must destroy them. Yes, and I will be even with Melville at the last!"

"The papers, sir," replied Peters, hesitating; "I could not find any. I searched every drawer."

He was surprised that this news did not add to his master's excitement.

"The hand of the schemer again," he murmured. "He will replace them when he is sure that I am dead. Peters I have only told you half of my story and the resolution that throbs in my heart gives me strength to confide in you wholly? I may expose my son to a disgrace which is likely to make him revile my memory, but at last justice must be done, at any cost. My God, if I had died! I shudder to think of what the result might have been."

Peters wiped the beads of perspiration that had gathered on his brow, whispering:

"I don't wish to hear, master, unless it is for your good."

"It is for the good of one I have wronged, and the ruin of that architect, Melville. Lock the door, Peters, and admit no one. Keep a constant guard upon me, or he will contrive my death, now that all is slipping out of his grasp. Then, when you have heard all, you must find my son, or take me to him. This is neither my home nor his. I am an impostor—a thief!"

He paused to collect his thoughts, while the valet moistened his lips.

"Bear witness to all I say, Peters," he continued, "for it is truth, I swear before God!"

"I have always been an ambitious man, but from my childhood I was cursed with poverty. My father kept me at college until I was twenty-four years of age, and, though always on the verge of bankruptcy, he managed to start me abroad on the usual tour which is supposed to be necessary for the completion of an English gentleman's education."

"I finally reached Australia, but, knowing that there were no inducements to return home, I married a girl with whom I had fallen in love, and settled down to the precarious life of a miner. Still, I was happy. I had never known the meaning of the word before. My wife was a good and loving creature, and believed in me as she did in heaven. For three years I tasted the sweets of life and then my darling died, leaving me with one child—my son Edmund. The shock was so terrible that I was stricken with a long illness, and Edmund was sent to England, to the care of a maiden sister, who educated and finally left him what little she possessed."

"Gradually health and strength came back, and I began to long for fresh scenes, with hardly a shilling in my pockets. There was no incentive to work now, and I loathed the thought of returning to the diggings, with their long days of incessant toil and varying fortunes."

"One day I picked up a Melbourne newspaper, and saw an announcement concerning one who had been a friend at college. His name was Alfred Morden, and he was an earl. The paper stated that he was located at Melbourne, and even named the hotel."

(To be continued.)

The young man: "I read your daughter like a book."

Her father: "So that's why you hold her in your lap?"

MINARD'S LINIMENT FOR BACK-ACHE.



For That Realm of the Dainty Twixt Cake and Candy.

So often one is beset to know a tasty soda—at tea, luncheon or dessert.

Will they relish it?—Is it quite the thing?

TIP-TOP is indeed a helpful answer to these tiny, but important questions. It is so happy a blend of the good looking and of delicacy of flavor that good taste takes on a double meaning.

Have them ready for an emergency, or plan a dessert with them.

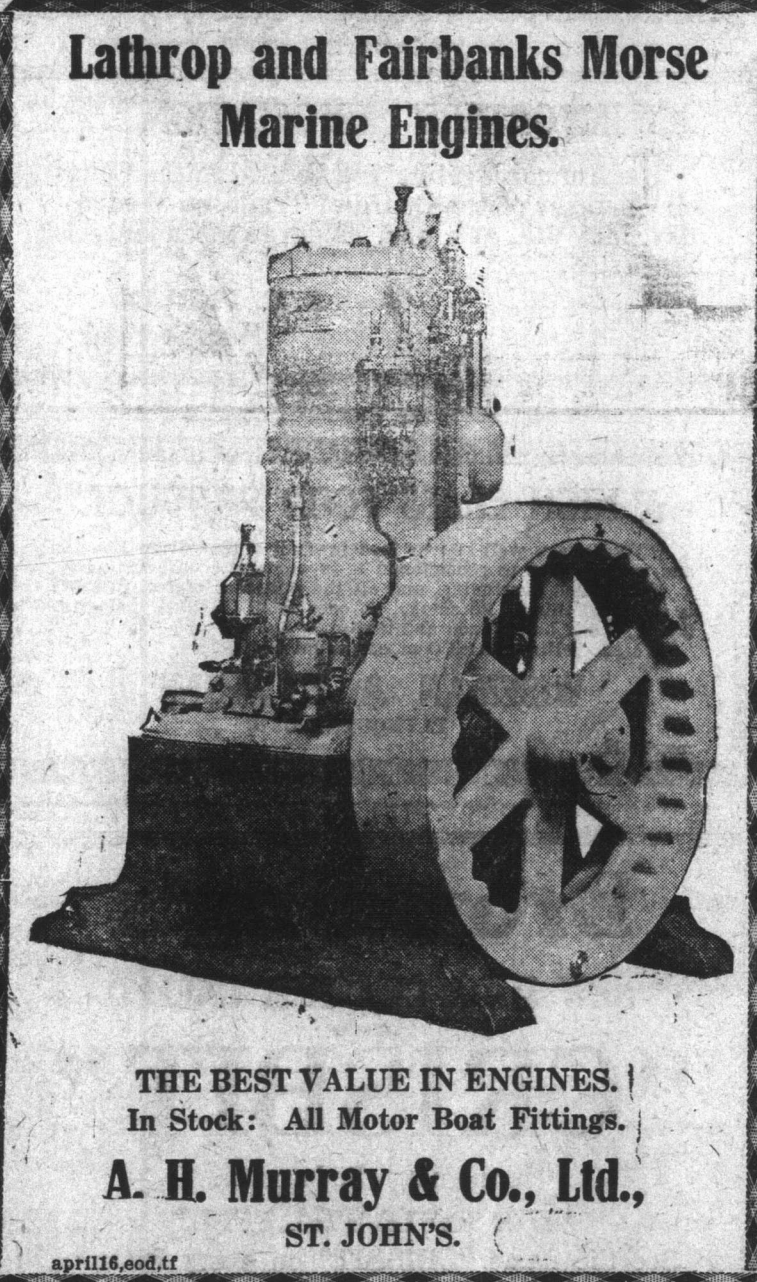
They are so easily bought fresh and kept so.

When buying just be sure you say TIP-TOP.

A. Harvey & Co., Ltd.
 Manufacturers.

apr26m.tu.th.s

Lathrop and Fairbanks Morse Marine Engines.



THE BEST VALUE IN ENGINES.
 In Stock: All Motor Boat Fittings.

A. H. Murray & Co., Ltd.,
 ST. JOHN'S.

apr116.aod.tf

He is satisfied—so will you be if you use



MUSTAD'S
 HIGHEST QUALITY **FISH HOOKS.**

mar18.tu.tf

Just Landed, ex. S.S. "Marie Neilson"

2,500 TONS

AMERICAN SCREENED LUMP COAL

"BETTER THAN THE BEST!"

\$12.25 PER TON, SENT HOME.

CASHIN & CO. Ltd.
 Phone 1046. Bishop's Cove.

edd.tf

Just Folks.
 By EDGAR GUEST.
THE DEATH OF THEODORE WRIGHT.

I sing to the death of Theodore Wright who had lived his three-score ten, 'Tis a happy song that I pass along, with a hope for all fishermen; For Theodore Wright found life's delight in a boat on the open sea, And his summer came as he played the game out there where he loved to be.

This gentle soul when the waves would roll thanked God for the ocean blue, For the summer sky and the gulls that fly, for he loved them through and through; And his days were spent with a calm content where the salt breeze poured his wine, So he thought it fair he should die out there with a sea fish on his line.

In the thick of the fight his summons came, out there where he longed to be;

"Till give you slack, Mr. Amberjack, but you're coming home with me! You may shake your head, but you're mine!" he said, "and you'll soon be in the boat!"

Then he heard the call, and they saw him fall, with the death sound in his throat.

They brought him in from the summer sea, with a sweet calm on his face, A glad old man, who had joined his clan in a much more restful place, And not one of us could deny That loving the sea and the skies as he, 'twas a glorious death to die.

"Just Rub It On"

Croup Relieved Without Dosing

Too much dosing is harmful to a child's delicate stomach. Often it lays the foundation for ill health in later life.

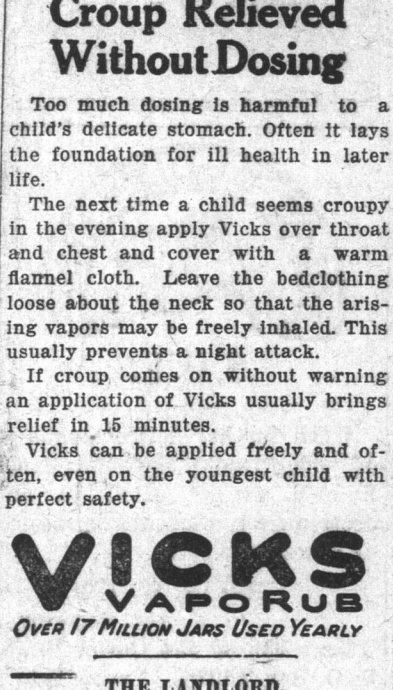
The next time a child seems croupy in the evening apply Vicks over throat and chest and cover with a warm flannel cloth. Leave the bedclothing loose about the neck so that the arising vapors may be freely inhaled. This usually prevents a night attack.

If croup comes on without warning an application of Vicks usually brings relief in 15 minutes.

Vicks can be applied freely and often, even on the youngest child with perfect safety.

VICKS VAPORUB
 Over 17 Million Jars Used Yearly

THE LANDLORD.



WALT MASON

I'd a cottage which was rented, and the tenant paid in gold, but my heart was discontented till I had a residence was sold. I was lucky in my tenant; when it came to paying up he bore off the crimson pendant and the silver-plated cup. But when he had paid the money for two fortnights in advance, he would act up rather funny, beeing while he had the chance. "That old house of which we're speaking," he would say, "is classed with jokes, for the roof is always leaking and twisted, and the fasciae will not play, and for many moons I've wished that I'll have to move away. Oh, the window frames are rotted and the floors are badly bent, and for weary weeks I've wotted that I shouldn't pay you rent. All the joints and sills betoken rot and mildew and decay, all the windowpanes are broken—and you still expect your pay! Send a carpenter and plumber, have men paint the Moated Grange; have it all fixed up this summer or I'll have to make a change." I was always hiring people to repair the blamed old shack, naffing shingles on its steeples, putting paint on front and back. And when I had thus expended fortunes on the stately pile, I believed my grief was ended—Mr. Tenant now would smile. But he'd come to pay the plunder for two fortnights in advance, with a brow still clothed in thunder, scorn and anger in his glance. Now the windmill needed greasing and the well was on the blink and there was no pipe releasing water from the kitchen sink.

ROOSEVELT SAID:
 "My first pair of spectacles literally opened up a new world to me."

Like Roosevelt you too may need glasses.

Consult: H. B. THOMSON, Opt., D., Optometrist and Ophthalmic.

OFFICE:—216 Water St., Phone 1681. HOURS: 9.30 to 5.30.

RESIDENCE:—101 Gower St., Phone 1907.

HOURS: 7 to 8. (Phone for an appointment).

apr3.eod.tf

Given Away
 a large assortment of excellent
Premiums
 on goods purchased at
Stafford's

With every purchase at either of our stores, we give a coupon ticket—ONE CENT ON EVERY TEN CENTS WORTH. After you have collected sufficient, bring them in and you can get either of the PREMIUMS that we are giving away.

We have just received a large stock of PREMIUMS and they can be seen in either our Theatre Hill or Water Street Drug Store window. None of the PREMIUMS are very high priced, so you will not have to collect many tickets before you can get one.

We have Pocket Knives, Collapsible Cups, Measuring Spoons, Soap Boxes, Caster Sets, Jelly Moulds, Toys, Rubber Balls, Cigarette Holders, Rubber Erasers, Lemonade Shakers, Beads, Face Cloths, Iron Holders, Hot Plate Mats, Tape Measures, Thimbles, Needles, Bandeaux, Can Openers, Egg Slicers, Scissors, Combs, Nail Clippers, Pencils, Blotters, Soaps, etc., and dozens of other articles.

DON'T FORGET
 you are not paying any more for your goods at our stores than elsewhere, and in addition you are getting with your purchases some useful household article FREE!

Dr. F. Stafford & Son,
 CHEMISTS & DRUGGISTS
 Theatre Hill and Water Street West.



Clean up and Paint up

"MATCHLESS" OIL PAINTS
 for interior decoration mean Sanitation, as they can be washed. For your Radiators, ask for "MATCHLESS" ALUMINUM and for your Piping "BLACK DAZZLE." Save the Surface.

The Standard Manuf'g Co., LIMITED

jan3.tf

FOR SALE!

500 SIDES BEST AMERICAN SOLE LEATHER.
 UPPER LEATHER.

5000 AXES—Best of Steel, each one guaranteed. Men's and Boys' Local Made Boots (100 per cent. Leather. Large quantity of Cork, Axe Handles, Shovels, Wrenches; also Chains, Grappels, Manilla and Steam Tanned Rope, all sizes. Jiggers, St. Peters Lines, Bastin, Marlin, and Barked Head Rope. All going at Rock Bottom Prices.

WE BUY Cow Hides, Calf Skins, Horse Hides, Sheep Skin, Wool, and all kinds of Raw Furs; also Scrap Brass, Copper, Lead, Old Rope.

North American Fur, Hide & Metal Co'y.
 mar30.m.w.s.lmo NO. 12 WATER STREET.

Don't Say Paper, Say the Evening Telegram.

Before you shave, strop



A few strokes to and fro and you have a new keen edge for each shave. Saves constant blade expense.

Valet Auto-Strop Razor
\$5, up to \$25, other models at lower prices

Straight Talk to Europe by New U.S. Ambassador

Stabilization Credits Will Not be Liable to Interest Charges—Ghandi Adopts Role of Peacemaker in Bengal Prov. Congress—New S. African Tariff Grants Britain Most Favoured Nation Treatment.

FROM UNITED STATES.
LONDON, May 4. The new United States Ambassador, Mr. S. Houghton, speaking to a distinguished audience which included the Premier of Britain, declared that unless based on God will were re-established in Europe, he feared the success of the United States in the reconstruction of Europe must cease. He referred not only to moral but to material aid. Inter-locked with this has been commented, may be the Security Pact proposed by the United States and warmly seconded by Britain as a great step towards the establishment of real peace.

FRANCE IN ARMED CONFERENCE OPENS.
GENEVA, May 4. The conference in arms cannot be considered a commercial matter and the international regulations, declared Count Henry Di Wiart, former Premier, in formally opening the International Conference for control of traffic in arms by the League of Nations. Count Di Wiart welcomed the presence of the United States, stating its participation had now a preponderance, and also the presence of Germany and Argentina.

STABILIZING CREDITS.
LONDON, May 4. The second reading of the Standard Bill in the House of Commons this afternoon, Walter Guinness, Financial Secretary to the Treasury said two credits had been finally negotiated in connection with the stabilization of exchange. The first of these, Mr. Guinness stated, was the Federal Bank which had undertaken to give the Bank of England a credit of \$200,000,000, for the period from May 10, or the date of the Government's guaranty, to the date of the latest. The second arrangement was with a bank headed by the house of Rothschild with the British Government for a revolving credit of \$200,000,000.

FAVORS BRITAIN.
CAPE TOWN, S.A., May 4. The favored nation treatment will be granted to Great Britain in South Africa's new tariff, so Finance Minister announced in the House of Assembly to-day.

TRAGEDY FEARED.
SIDBURY, Ont., May 4. A few pieces of clothing on the shore of Round Lake, on the White Mudan Reserve, bear mute testimony of a triple drowning fatality. Accounts for the disappearance of the farmers of Waters and Broadbent, who set out upon a fishing expedition to Fenage Lake. The men were of Finnish extraction.

SEARCHING FOR THE BODIES.
DETROIT, May 4. A search party from the Point Pelee, Ont., fishing station, aided by fishermen, searched for the bodies of the eight men of the crew of the schooner Kely Island which turned overboard two and a half miles off Pelee Saturday. The body of W. G. Stackford, who stayed in Pelee house to the last, was recovered Saturday. Heavy seas hampered the searchers.

CAVE CAPTIVATES CAPE TOWN.
CAPE TOWN, S.A., May 4. A group of Whites has captivated a cave and particularly its female population. When he drove through the city to-day on the commencement of his trip into the interior, women old and young, turned out in their smartest attire and gave him boisterous testimony of their delight. The weather was perfect and the entire route over which the Prince passed was lined. The Prince acknowledged the demonstration with greatest animation.

GOLD STANDARD BILL ADOPTED.
LONDON, May 4. The House of Commons, after a comparatively brief debate and without division, to-night passed the second reading of the Gold Standard Bill and agreed to the necessary money resolution for putting into force the Government's arrangement for restoring the gold standard. The statement that the country would not be liable for any interest payments unless it became necessary to utilize United States credits, was made by Right Hon. Walter Guinness, Financial Secretary, and was received with great satisfaction.

AZOV BREAKS UP.
HALIFAX, May 4. Advice from the scene of the stranding last Friday morning of the tank steamer Azov, which ran on the rocks at Cape Hogan near Arichat, Cape Breton, while on a voyage from Cuba to Montreal with molasses, stated this morning that the vessel had broken in two just aft of the engine room and that the forward section was submerged.

PULPWOOD ADRIFT.
NORTH SYDNEY, May 4. Pulpwood valued at \$35,000, and representing the entire season's cut of the Atlantic Pulp Co., was drifting about the Bras D'Or Lakes to-day, following the breaking of a boom in Middle River during the storm Saturday night.

CAPE D'OR STILL ADRIFT.
LIVERPOOL, May 4. Drifting bottom up with all sails set and anchor chains out, the schooner Cape O'Or, rammed and sunk with the loss of five lives off Cape La Have last Thursday afternoon and later refloated by the action of the sea, was this morning lying abandoned in Latitude 43.57 North, Long. 64.35 West, while the Government steamer Arleux which had been attempting to tow the schooner to port was lying in harbor here awaiting favorable conditions to make another attempt to remove the hulk to a place of safety.

MAVIS
de Vivaudou
FACE POWDER



Use Mavis Face Powder and you will be fascinated with the result. It adds charm to the most perfect complexion.

Alto Mavis Range
V. VIVAUDOU, INC.
Paris, New York

Adams and Cheney a Tremendous Success
MUSICAL TEAM RECEIVE WONDERFUL OVATION FROM MAJESTIC PATRONS.

Crawford Adams and Louis Cheney, the musical team who opened an engagement at the Majestic Theatre last night, scored a decided hit. The various items of their initial programme were vigorously applauded, and on one occasion, the audience almost rose in their seats. The splendid recommendations which were sent in advance were fully justified and in no way were they exaggerated. As will be seen by to-day's advertisement, these two artists have something which very few in their line possess. Their record has been one of constant success, and we are safe in asserting that never before were we favored with such a combination of instrumental and vocal music. There is no wonder that the Majestic patrons were lost in admiration and applauded unceasingly the various items as rendered by these musical wizards. Words fail to express their real worth as entertainers and the best advertisement one can set forth is the very complimentary references coming voluntarily from the audience last night. Everywhere the word is spoken to-day "Adams and Cheney," and the prediction is that their engagement will not only be a successful but a lengthy one. Their recital last night

DEVONSHIRE RECOVERING.
OTTAWA, May 4. Government House received word to-day that the Duke of Devonshire, former Governor General, was making excellent progress and a complete recovery was confidently expected. His recent seizure was very slight, it was stated.

A MINOR DISTURBANCE.
WASHINGTON, May 4. A cabled report indicating an earth movement among the Florida Keys reached the War Department late to-day, but inquiry revealed that fears of a serious disturbance had been unfounded.

SWARAJISTS COMPOSE DIFFICULTIES.
CALCUTTA, India, May 4. Differences which arose at the Bengal Provincial Congress yesterday between Cr Das, leader of the Swarajists (home rulers) and some delegates at the Congress while in committee on resolutions, were composed to-day through the good offices of M. Gandhi, former Swarajist leader. The trouble was in connection with conciliatory resolutions proposed by Das, and which are thought to have been the outcome of his presidential address on May 1. Das in his presidential address urged conditional co-operation with the Government of India. He coupled with his proposal the threat that if the Swarajists' offers of settlement were not responded to, they must continue to make the work of the administration impossible and be prepared for ultimate disobedience. Gandhi today alluded to Das' speech and said Das could not hurt Swarajists at the British throne. They had to admit, Gandhi said, the present incapacity of the Swarajists to govern. Freedom could be attained, he added, by a Hindu-Muslim unity, the removal of the untouchability of caste, and the adoption of the spinning wheel. The Congress ultimately adopted resolutions condemning revolutionary methods.

DIE TOGETHER.
MONTREAL, May 4. John D. Kennedy, aged 52, inventor, and his wife Edie, aged 47, of this city, were found huddled together dead on a bed in their home this afternoon. The police believe that Kennedy, who suffered from heart trouble, dropped dead while standing by the edge of the bed and fell upon his wife knocking her unconscious and then asphyxiating her.

AGED MARINER'S PLAN.
VICTORIA, B.C., May 4. Commander Eustace S. Maudo, aged 70, who announced his intention to sail from Victoria to England in a 25 foot sloop has disappeared since departing from here Saturday afternoon. It is thought he may be at some point awaiting an opportunity to make a dash for the open sea or that he is already passed round Cape Flattery.

IT HITS THE SPOT
Don't suffer from lumbago, neuralgia or other pains. Apply Minard's to the aching spot and get quick relief. Always keep it in the house.

MINARD'S
"KING OF PAIN"
LINIMENT

was a fitting illustration of the extraordinary talents possessed by these artists, and their popular ballads harmonized faultlessly with the classical numbers that were entwined in their programmes.

The feature "The Call of the Canyon" Zane Grey's masterpiece, a story of the wild, held the attention of the audience to the very end. Richard Dix, Lois Wilson and Marjorie Daw were the stars. This same bill is repeated to-night and to-morrow afternoon and night.

The attention of our readers is called to the advertisement elsewhere in this issue, which briefly records the marvellous record of the violinist, Crawford Adams.

For a good Kidney Pill—try Juniper Pills—25c. at STAFFORDS—apr27,imo

DODD'S KIDNEY PILLS
FOR ALL KIDNEY DISEASES
RHEUMATISM, GRAVEL, BRIGHT'S DISEASE, DIABETES, BACKACHE
14087 THE PROSPECT

CROSS-WORD PUZZLE

1	2	3	4	5	6	7
8	9	10				11
12	13					14
		15			16	
17	18	19	20	21	22	
	23	24				25
26				27	28	29
30			31			32
33	34	35	36			37
38		39	40			41
42		43		44	45	
	46			47		
48				49		50

SUGGESTIONS FOR SOLVING CROSS-WORD PUZZLES
Start out by filling in the words of which you feel reasonably sure. These will give you a clue to other words crossing them, and they in turn to still others. A letter belongs in each white space, words starting at the numbered squares and running either horizontally or vertically or both.

- HORIZONTAL**
- 1—Bright and lively
 - 2—A musical note
 - 4—A menstrually
 - 6—A deer
 - 10—Girl's name
 - 12—To entreat; beg
 - 15—Dry
 - 14—Country of Asia (abbr.)
 - 15—In that place; there
 - 16—Prefix meaning "through"
 - 17—Exclamation of contempt
 - 19—To grow old
 - 21—Perpendicular; steep
 - 23—To flow out
 - 22—Prefix, same as "ad"
 - 26—Postponement
 - 27—Man's name
 - 30—A musical note
 - 31—What a small boy is often called
 - 33—A signal to apprise of danger
 - 36—Barnyard inhabitant
 - 37—A beam of light
 - 38—Latin for "fast" (abbr.)
 - 39—A form of verse
 - 42—Suffix, forming adverbs from adjectives
 - 43—Offensive or loathsome
 - 44—A grassy field or plain
 - 46—Pertaining to an hour
 - 47—A reply (abbr.)
 - 48—Discolored by decay
 - 49—Above
 - 50—Grass, cut and dried
- VERTICAL**
- 1—Farewell
 - 2—Yours (abbr.)
 - 3—To observe
 - 4—A gambling game
 - 5—What remains of a wrecked building
 - 6—Former times (post.)
 - 7—Associate of Arts (abbr.)
 - 9—Possessive pronoun
 - 10—Person to whom money is paid
 - 11—To pouch in cream, as eggs
 - 14—The best part of anything
 - 16—Topographical engineer (abbr.)
 - 18—To hurry; hasten
 - 19—Man's name
 - 20—Stay-rope
 - 22—The heron
 - 24—To pass over hurriedly
 - 25—To feign
 - 27—A garden tool
 - 28—A hostelry
 - 29—A city in Ayrshire, Scotland
 - 30—Defect; blemish
 - 31—Found on the seashore
 - 32—Like syrup
 - 34—Preposition
 - 35—Irish poet, wrote "Last Rose of Summer"
 - 40—A pair of units
 - 41—One-tenth of a hundred
 - 43—Wild animal
 - 44—To ripple against, as waves
 - 45—Mineral residue from burning anything
 - 46—Interjection

Solution of Saturday's Puzzle.

WAGES DIN URBAN
ONE PERMITS ALA
NATTY ASPT EARLY
E B SPARK Y S
STOOP ERE TINGS
T NOOK T DRAB T
AT PART LEAN BE
TOW CATIFF GAR
I CHAP OFFY DT
S HELL B RIOT U
SPEAR DEN GLOSE
R S BEGGH L W
FILED PAR ASSET
ODE EVOLVES ORR
BODW TIE HAPPY

CARD.
Dr. M. F. Hogan,
Dentist,
142 Water Street,
over Latz's Jewellery Store.
(Opp. Royal Stores).
Telephone 1255.
apr5,ed4f

All Roads--All Comers--Come One Come All Star Movie To-day

Rudolph Valentino



This is really some picture. Such acting, such costumes, and such tangoing as you have never seen in pictures. See the greatest Vamp of the Movies—NITA NALDI—trying to vamp Rudolph.

Miss Olivotti and Mr. Phelps will Sing—with Dance—"Tea for Two." Mr. Phelps will also sing "My Dream" (from Tolsti) and Miss Olivotti will by request, sing "Second Hand Rose."

COME AT LAST—The Picture you have been looking for since you saw "Sea Hawk"—"CAPTAIN BLOOD."

Another New and Beautiful Dress Material Just to hand

PRINTED GEORGETTE CREPE



BEAUTIFUL, colourful, reversible and serviceable. Comes in new and pretty patterns, peculiar to the season. Light and dark grounds, delightful shadings. Limited supply specially set apart for to-day's selling.

79c

James Baird

Passengers by Digby

The following are passengers by S.S. Digby, sailing for Halifax and Boston:—Miss S. Bolger, Miss E. Curtis, T. M. Allan, Miss J. Campbell, T. W. Crossman, Miss H. Crossman, Miss M. E. Whiteway, Miss M. Murphy, Miss Lewis, J. S. Boyd, Miss M. Devine, Miss M. Ryan, A. Munn, Miss W. Whelan. The ship takes a large cargo of fish oil, etc.

CONFEDERATION LIFE.
apr21,3mos,ed

We have Head Light and Tail Light Bulbs for all makes of cars. Tyre Testers, Valve insides and Distilled water always on hand, at MCKINLAY'S Garage.
apr29,61

SNOODLES

Friday Felt Father's Flourishing Fin Put A Finish To His Faltering Feet.

By CY HUNGERFORD





Founded in 1879 by W. J. Herder. The Evening Telegram THE EVENING TELEGRAM, LTD. PROPRIETORS.

All communications should be addressed to The Evening Telegram, Ltd., and not to individuals.

Tuesday, May 5, 1925.

A Great Record.

To Captain Barbour and the crew of the good ship Neptune we extend hearty congratulations on their safe return with the key of the icefields, and upon having established a record by reaching the millionth mark in her total catch of seals since first she butted the pans fifty-two years ago.

The spirit which prompted those men to make the second venture was something more than the desire to add to their bill. There was a record to be made, and there was the keen sportsmanlike eagerness to make it. Like those daring old sea dogs such as Drake, Frobisher, Hawkins, and the hundreds of others who faced any odds for the love of adventure and for the honour and glory to be gained, they too sallied forth and faced the foes again, and fought, and won.

All honour to them and may we never see the day when the Oldest Colony cannot produce such men as these, heroes all, and the sires of heroes to come.

Shipbuilding Returns

At the close of the quarter ended March 31st, 1925, Lloyd's Register of Shipping shows that there were 676 merchant ships under construction in the world, aggregating 2,396,910 tons.

Of this amount, the gross tonnage of ships under construction in Great Britain and Ireland is 1,165,468, not including vessels under 100 tons. The total number of these ships is 280, which are classified as follows:

No. of ships	Tonnage
14	8,000-9,999
5	10,000-14,999
11	15,000-19,999
4	20,000-24,999
1	25,000-29,999

German shipyards come second with 405,476 tons on the stocks, and France, Italy and Holland are next in order. The position of the United States yards with only 81,728 tons under construction is in striking contrast to that of 1919, when she had a total output of no less than 4,075,385 tons for the year.

The growing popularity of motor ships in recent years is shown by the fact that of the vessels at present under construction in British yards, 266,900 tons represent this class, while in Germany their gross tonnage amounts to 32,155 out of the total of 405,476.

The British shipyards, in addition to home requirements, are filling orders for 30 ships for the British Dominions, 4 for Norway; 4 for Italy; 3 for France; 2 for Holland, and one each for the Argentine, China, Denmark, Latvia, Sweden, and the United States. It is apparent, therefore, that the reputation of the British shipbuilders is still considered to be more than offset the excessive costs, of which so much has been heard in recent months.

Among the vessels under construction in the British Dominions are two of wood aggregating 240 tons. These, we understand, are being built in Bay d'Espoir by Messrs. Roberts Bros. for J. Strong, Ltd., of Little Bay Islands.

United Schools Campaign Starts

The drive organized by the United Schools Committee was launched last evening under most auspicious circumstances and to-day the canvassers are out in full force collecting the dollars which will be used to provide St. John's with the schools which are so urgently required.

At six thirty last evening a large and enthusiastic gathering assembled in the Presbyterian Hall where the teams sat down at their respective tables to a dainty banquet which had been provided by the ladies. On the platform were the officers of the Association, consisting of Revs. Dr. Bond, Dr. Curtis, Dr. Power, Messrs. Brookes, Reid, Hon. R. K. Bishop, C. P. Ayre and the chairman, Mr. J. J. McKay. Several musical selections including the Ode to Newfoundland were lustily sung to the accompaniment of Mr. H. Gordon Christian, and inspiring addresses were given by Rev. Dr. Bond, Rev. Dr. Curtis and Mr. Ayre. The latter announced that he had already received the nucleus of the fund in an amount of \$1,020.00.

Mr. Albert Soper, the energetic organizer, then gave instructions as to the system to be followed, and the cards containing the names of "prospects" were distributed.

The teams met for final instructions this morning at 10 o'clock, and at nine this evening the reports of the day's work will be announced and broadcasted.

Girls' Industrial Association

A successful sale of work was held in the Salvation Army Hall, Springdale Street, yesterday, under the auspices of the Girls' Industrial Home Association. During the afternoon a goodly number of patrons visited the Hall and were pleased with the purchases they made. At night a concert was held, which proved very enjoyable for the audience present.

Mr. Johnston was in the chair, and in her opening remarks gave an interesting outline of the splendid work that is being done in the city by the Girls' Industrial Home Association. More funds are needed so that the work can be continued and enlarged, and an appeal for support was made. The following programme was then rendered: Solo, Mrs. Garland; recitation, Capt. Butler; Solo, Miss Johnston; Exercise, "Sunbeams"; Recitation, Miss Murray; Solo, Mrs. Conall; Solo, Miss King.

Training Course for Girl Guides

The Girl Guide Association are giving an "At Home" at their Headquarters on Wednesday afternoon from 3.30 to 5.30, to give an opportunity to the members to meet Miss Penberthy, Divisional Commissioner for Gloucestershire, and Red Cord Diploma Guide, Miss Penberthy has come out to give Training Courses to the Guides (Officers) both in St. John's and in the Outposts and it is hoped that a Guide's Camp will be arranged during the early summer. She will first visit as many companies as possible to meet the Commissioners and Guides at work and find out from them in what way she can be most helpful to them. She has kindly promised to speak on some aspects of her work on Wednesday afternoon. It is hoped that all members of the Association and any friends of the Girl Guide Movement who wish to join will come to the "At Home."

To-Night's Concert

AT SYNOD HALL. To-night's concert at the Synod Hall, under the auspices of the St. George's Day Celebration Committee, promises to be a real enjoyable affair. A splendid programme has been prepared. The performers are Mrs. C. F. Garland, Mrs. J. J. Miller, Mrs. Alex Mews, Misses Jean Taylor, B. Langmead; Messrs. Alex Mews, S. Richard Steele, Macklin, Redmond, and Mr. D. Delmar and a daughter, together with the Guestda Band and with these there is assured to all who attend an evening of much pleasure.

Coastal Boat Captains

The captains of the Government Coastal Boats for the present season are as follows:—Portia, Connors; Prospero, W. Keon; Glencoe, A. Blandford; Meigie, Burgess; Sagona, Tavernor; Malabar, Blackmore; Clyde, Boucher; Argie, Murphy; and Home, Norman. Captain Cross is in charge of the Kyle and Capt. Stevenson will bring out and have charge of the S. S. Caribou.

Personal

Mr. E. G. Consens, Southside, who has been confined to a dark room for the past ten days suffering from eye trouble, is now showing signs of improvement.

Prize Debate at St. Bon's College

Yesterday at 11 a.m. the annual Senior Prize Debate took place in the Aula Maxima. A very cordial greeting was extended by the Rev. Principal, Bro. J. C. Ryan, and the assembled student body to the following who kindly attended to act in the capacity of adjudicators:—Rev. Monsignor McDermott, Revs. Frs. M. Kennedy, P. Kennedy, Pippy, Murphy, McGettigan, Flynn, Savin, St. John, and Rev. Bros. Ennis, Ahearn and Esagan.

The subject was one that explored the vast field of practical science with a view to determine whether France or England belonged the honour of claiming the most distinguished scientists. The extensive scope thus afforded the speakers for reviewing on the one hand the discoveries of such men as Pasteur, Lavoisier and Moisson, and on the other those of Lord Kelvin, Newton and Stephenson, etc., naturally gave rise to an interesting discussion. By the time the more notable discoveries and the subsequent developments to which they rise in the respective countries were dealt with there was a wealth of scientific knowledge unfolded to the audience who followed the debate with rapt attention. These oracles of the honour for France were E. Greene, E. Martin, and M. Murray, while the claims of England were upheld by J. Peddie, A. Slatery and G. Higgins.

At the close of the contest the Rev. Principal paid a well deserved tribute to the debaters, whose eloquence and matter gave striking proof of careful preparation and whole-hearted co-operation with their esteemed teacher Rev. Bro. Doyle. The jury, by a small margin, decided in favour of the English Scientists, and by another small margin gave to Gordon Higgins the honour of being the best debater of 1925.

Rev. Monsignor McDermott and Dr. Burke paid a tribute to the speakers, who, they said, without a single exception, made a very favourable impression on all who had the privilege of being present on the occasion. In response to a request from the Monsignor, a half-holiday was then given by Rev. Bro. Ryan.

Boilermakers Decide on Affiliation

By an unanimous standing vote, the Boilermakers' local, of the N.I.W.A., decided last night in favor of the Associated Federation of Labor. There was a large attendance and the subject was very thoroughly threshed out by the members of the local in which are many trade unionists of long experience and loyalty to the movement. To-night the Blacksmiths' local is meeting to discuss the subject.

Obituary

STEPHEN ANGEL. After a protracted illness, Stephen Angel was called to his eternal reward this morning, at 6 o'clock. The deceased was well known and highly esteemed, and bore his sufferings with a spirit of fortitude worthy of the man. His passing will be learned with deep regret for he was a sterling character, a loving husband, a kind father, a good friend and an estimable citizen.

Left to mourn are a widow, one son, Robert, of the Royal Stores Furniture Department; and one daughter, Mrs. W. Moore, to whom sincere sympathy will be extended in their sad bereavement. The funeral will take place on Thursday, from his late residence, 12 Balsam Street.

Evicted

A woman resident of New Gower Street, whose husband is at present serving a two year term in the Penitentiary, was evicted from her home last evening and with her seven small children was obliged to remain all night in the open air. Up to late today she had not succeeded in securing a shelter. The children of course are the sufferers and are deserving of compassion.

McMurdo's Store News

Sutton's Seeds are going fast, and we are almost out of some varieties. If you want good crops try Sutton's, recommended and sold by H.M. Government during the last few years. Suttons Crimson King Swede. " Magnum Bonus Swede. " Up-to-date Swede. " Purple & Green Top Aberdeen " Eclipse Drumhead Cabbage. " Giant Drumhead Cabbage. Parsnip, Carrot, Beet, Peas, Beans, Broad and Runner, Lettuce, Savory, Kale, Broccoli, Brussels Sprouts, Cauliflower, Celery, Cress, Cucumber, Marrows, Parsley, Radish, Hay Seed, Red and White Clover, Lawn Grass, Putting Greens.

Boals Rolls for Constipation..... 20c. Agarol, a preparation of Mineral Oil and Agar..... \$2.00 Box. FOR ACHES AND PAINS USE MINARD'S LINIMENT.

Firm Has no Connection With Bakers

Editor Evening Telegram, Dear Sir:—It has been brought to our attention that there is an impression held in several quarters that this Company is responsible for the recent alteration in the price of soft bread made by the local soft bread bakeries.

Without commenting on the merits or otherwise of the change in price, we wish to state most emphatically through your columns that we have no interest whatever in any of the soft bread bakeries, and, therefore, are in no way responsible for their actions. Furthermore, we were not consulted by any of these concerns, in whose affairs, we repeat, we have no say or interest.

Thanking you for your kindness in publishing the above, We are, dear Sir, Yours very truly, A. HARVEY & Co., LTD. G. HARVEY, Director.

Postmistress Charged With Larceny

Last night Const. Pittman arrived from St. Lawrence bringing with him the Postmistress of that place, who is charged with the larceny of about \$300. It is alleged that this amount, which was sent by the Poor Commissioner here sometime in January to the Relieving Officer at St. Lawrence, did not reach its destination. During the course of his investigations into another mail robbery which occurred some time ago between St. John's and Lunenburg, Const. Pittman brought the above matter to a head. The accused appeared before the Magistrate this morning and was remanded on bail. The Postmistress is married and has been in the Post Office employ for the past seven years.

Hear Nine Church Organists Play Together at the Madrigal Singers Concert, Synod Hall, May 14th.—may5.1eod

Boy Injured by Motor Car

Joseph, the 5-year-old son of Mr. Alan Doyle, was struck by a motor car driven by A. G. King yesterday afternoon, and received such injuries that it was necessary to remove him to hospital for treatment. The accident occurred at the foot of Bell St. on Duckworth Street, when the lad in attempting to cross the thoroughfare was hit and knocked down by the car.

Proceeding west a man named Nesbitt, who was driving the motor car, was picked up by the injured lad and brought him to Dr. Burden's Surgery, where it was found that some injury had been sustained about the head. Dr. Burden then ordered the lad to hospital, where he was taken in Mr. King's car. An examination made at hospital showed that the injury was only slight, and he was discharged from the institution this morning.

Honour the Memory of your Childhood—by giving big donations to the United Schools Campaign Fund.—may4.8i

Victim of Gasolene Explosion Passes Away

The funeral takes place to-morrow of the late James Mason, who passed away yesterday at the General Hospital, where he had been undergoing treatment for injuries received from burns on April 3rd, when an explosion occurred on board the schr. Maxwell, lying at the wharf of the Monro Export Company. Deceased leaves to mourn a wife, mother, 4 step-daughters, 3 stepsons and a large circle of friends. The funeral takes place from 188 Water Street W., at 2.30 p.m. on Thursday.

Settle the question right—by helping to raise the Funds of the United Schools Campaign.

Red Cross Sailings

S.S. Silvia, sailing from here on Thursday, will proceed to Halifax at usual and then to New York where she will lie up for overhaul. The next sailing of the ship from New York is scheduled for May 23rd. The Rosalind is due to sail from New York on May 30th. Both ships will continue the Saturday sailing schedule through the summer.

Honour your family name—by supporting with unstinted hand the United Schools Campaign Fund.—may4.6i

Increased Parcel Postage

Word has been received by the Minister of Posts & Telegraphs that the United States Post Office Department have increased the postage on parcels from U.S. to Newfoundland from 12 cents to 14 cents per lb. The Newfoundland rate has not been altered.

Hear the Madrigal Singers perform British choral music of three centuries, on May 14th, at Synod Hall.—may5.1eod

PEPYS BEHIND THE SCENES

May 4th.—Up very betimes and the weather warm. Like a summer's day almost, so I abroad in my newly furnished grey tweeds, mighty smart. At the office all the day, and keep me busier work to be done and keeps me busier that I have been this long time. Coming home this day do find my wife in the worst possible humour and does naught but scowl at me. Enquiring the cause of it, she do inform me that I am the poorest husband thus to have forgotten her birthday, and crying that I do love her no longer (which, indeed, is true) weeps bitterly. My protests that I was too busy to remember avail me naught, so needs must I set about writing her a big cheque which I do accept, yet do still feel bitter towards me.

The House this day passes the Budget, and an Opposition amendment defeated on a party vote. So the prosecution like to take place on Thursday, all business being now nigh completed. Home all this night, mighty tired, and to bed betimes.

Help the Child Welfare Association by buying your programme now, for the Madrigal Singers Concert, at Hutton's. may5.6eod

BORN.

On May 4th, at the Grace Maternity Hospital, to Mr. and Mrs. Ernest Warren a son.

MARRIED.

On April 28th, at the R. C. Cathedral, by Rev. Msgr. McDermott, Lucy Campbell, of Cape Breton to James Grouchy of this city.

DIED.

On April 24th, Maude Parker, beloved wife of Dr. Wm. Hogan, Magistrate St. Mary's. Funeral took place on Sunday, April 26th, R.I.P.

This morning, after a tedious illness, William Nosenworthy, aged 38 years, leaving a wife, mother, one brother and one sister to mourn their sad loss. Funeral on Thursday at 2.30 p.m. from his late residence, 18 Brennan St.

This morning, fortified by the rites of Holy Church, Stephen Angel, leaving a wife, one son and one daughter to mourn their sad loss. Funeral on Thursday at 2.30 p.m. from his late residence, 12 Balsam Street. Boston and New York papers please copy.—2i

Passed peacefully away, this morning, at 2 o'clock, after a long and tedious illness, Christopher O'Neill, aged 19 years, son of Margaret and the late John O'Neill. Left to mourn their sad loss are a mother, 4 brothers, 2 sisters and a large circle of friends. Funeral takes place on Thursday at 2.30 p.m. from his late residence, Beaumont Street West, R.I.P.

Passed peacefully away, at the General Hospital, from burns received on April 4th, James Mason, beloved husband of Mary Mason. Left to mourn are wife, mother, 4 step-daughters, 3 step-sons and a large circle of friends. Funeral takes place on Wednesday, May 6th, at 2.30 p.m. from his late residence, 188 Water Street West. Mass the Sacred Heart of Jesus have mercy on his soul. Friends are requested to attend without further notice.

IN LOVING MEMORY

of my dear husband, John Boone, who died April 30th, 1923. No pen can write, no tongue can tell My sad and bitter loss; But God alone has helped me well To bear my bitter cross.

When a husband breathes his last farewell, The blow is more than tongue can tell. Home seems quite another place Without the smile of a husband's face. —Inserted by his Wife.

NOTE OF THANKS.—Mrs. Joseph Ivamy and family wish to thank the following for wreaths and floral tributes to adorn the casket of their beloved husband and father:—Mr. and Mrs. T. W. Crossman and family, Mrs. A. Adams, Mrs. A. Croucher, Battle Creek, Mich.; Employees Knowledge's Centre Store, Employees Knowledge's East End Store, Mr. and Mrs. J. Young, Mr. and Miss K. J. Carter, Miss Isabel Moore, Mr. and Mrs. W. Roper and family, Mr. and Mrs. W. Scammell, Mr. Graham Crossman, Mrs. Jack Bishop, Mr. and Mrs. P. W. Freeman, Mr. and Mrs. Lloyd Chancey; also the following for messages and letters of sympathy:—Mrs. A. Adams, Mrs. A. Croucher, Mr. Geo. Ivamy, Battle Creek, Mich.; Miss Gladys Moore, Mr. Sam. LeFosse, Mr. Ed. Bindon, Mr. W. B. Crossman, Mrs. E. Roper, Miss Gladys Russell, Miss Myrtle Daws, Mr. and Mrs. W. C. Whiteley, Bay Roberts; Mrs. Jones, Mrs. Snow and family, Mr. and Mrs. F. Vivian, Trinity, No. 1282 Leaming Lodge, Rose of Sharon R.E.P. 216, and Victoria Chapter No. 1. Secret Loyalty Orange Society and all other kind friends who visited or in any way helped to lighten our burden, especially Rev. F. Britton for his kindness and unflinching attention during his illness.

NOTE OF THANKS.—M. J. Maher wishes to sincerely thank the following for their kindness and attention while a patient at the General Hospital: Dr. Keegan, W. J. Welsh, Dr. Power, Mr. E. Garland, Mr. Garland, Manuel Flynn, Strong, Delton, Smith and Glasgow; Pat. O'Reilly, Mr. Foley, Mr. Saunders, Brakesman Furcy of the shore train, Conductor Leo and Expressman Farley of the Placentia train. For visits: Misses Power (3), Healy and Houlihan. Friends at home: Shippers Jim Maher and Alex. Dumphry, Alex. Maher, Michael Fitzpatrick and Michael Maher of Wm.

The Spirit of Progress!

We pledge ourselves to give you the BEST SERVICE possible. We pledge ourselves to give you the BEST QUALITY at the LOWEST PRICE possible.

We pledge ourselves to give you the SAME QUALITY all the time, and if the quality is not up to standard we will refund you your money.

IT IS BECAUSE WE GIVE VALUE IT IS BECAUSE WE DEAL SQUARELY IT IS BECAUSE WE BEAR NO ILL WILL IT IS BECAUSE WE ENCOURAGE COMPETITION, — THAT —

GOLDEN PHEASANT TEA HAS BECOME THE LEADER IN NEWFOUNDLAND.

FERGUSON, HOLNESS & CO., Limited LONDON & COLOMBO.

J. B. Mitchell & Son, Ltd., SELLING AGENTS.

may5.3eod

Are These Plackards Authorized?

In several places in the city, billboards have been placed against telephone poles in such a manner as to obstruct traffic on the sidewalks. They are obstructions and they are unsightly, and if authorized, the sooner the permissions is withdrawn and the billboards removed, the better.

From Cape Race

CAPE RACE, To-Day. Wind east, light, dense fog; the steamer Portia passed in at 6 a.m. Bar. 30.08, ther. 50.

Here and There.

MAGISTRATE'S COURT.—A drunk and disorderly was fined \$2.00 or 7 days. A drunk was fined \$1.00 or 3 days.

ACKNOWLEDGMENT.—The City Council acknowledged receipt of Five Dollars conscience money.—may5.1i

ACKNOWLEDGMENT.—The Mother Superior, St. Michael's Convent, Belvedere, gratefully acknowledges receipt of cheque for fifty pounds (£50.0.0) bequest of the late Mrs. (Dr.) Charlotte, London, England, to the Belvedere Orphanage.

Ingersoll Cream Cheese

"Spreads Like Butter" 221

ap25.4t

NOTICE.

The St. Andrew's Football Team will meet for practice this evening at 7.15 on Feildian Grounds, behind St. George's Field.

L. CALVERT, Secretary.

Horse Cough Mixture!

At the present time there are quite a few Horses in the city suffering from Coughs.

We have an excellent mixture that we have been making up the past five or six years for various horse owners in the city and which they say is the best they have ever used. We can supply you with a large bottle of this mixture for \$1.00

You can get a bottle at either our Water Street, West End, Theatre Hill, or Wholesale Department, Duckworth Street Stores.

DR. F. STAFFORD & SON

ap27.4t

Don't Say Paper, Say the Evening Telegram

NO CROSS WORDS IN HOMES USING SHIRRIFFS JELLY

House of Assembly Proceedings

MONDAY, May 4.
THE COLONIAL SECRETARY tabled the Report of the Child Welfare Association for Dec. 31st, 1924.
THE MINISTER OF JUSTICE introduced the House of the receipt of a letter stating that the Canadian Council on the Labrador Boundary Dispute had left Canada for England with the Canadian lease, so that within a couple of weeks it may be anticipated that the case will be ready for examination.

On motion of the Prime Minister, the Rules of the House, with regard to all matters now before the House, to come before the House during the Session, was suspended.
THE MINISTER OF FINANCE moved the House into Committee of the Whole on the Western Marine Railway, Ltd., Resolutions, and, explaining the subject said that it was simply a matter of asking the Government to guarantee the payment of \$35,000 in arrears at 8 per cent. per annum, payable in 25 years. The debentures are first lien upon the property for payment of principle and interest.
 In reply to some questions re Sinker Funds asked by Mr. Hickman, the Prime Minister pointed out that the dock had cost \$120,000 and the people of the West Coast had put \$70,000 into the proposition, which they cannot get back until the debentures are paid off.

MR. DUFF, whilst sympathizing with the people of the West Coast, would like to see them helped in some other way. He did not agree that it was the Government's duty to help these people out.
 The Report of the Committee being received, a Bill to give effect to the resolutions was introduced and put through all its stages without Amendment.

ANSWERS TO QUESTIONS.
 In reply to Mr. Halfyard re the by-election in St. John's East, the Prime Minister tabled the following reply:—
 A vacancy occurred in the House of Assembly on the resignation of Mr. Scammell in February, and the Government will, as an early date, give consideration to the question of continuing to Section 4 of the Consolidated Statutes, entitled "Of Legislative Disabilities and the Vacancy of Seats in the House of Assembly."
 Also in reply to Mr. Halfyard re the Dock, the Prime Minister replied as follows:—No written agreement has been confirmed with Messrs. W. I. Bishop & Company, Ltd., but they are commencing work on the understanding that if an agreement is not absolutely confirmed, they will be paid

ATLANTIC UNSHRINKABLE UNDERWEAR

THE UNDERWEAR THAT OVERWEARS

ATLANTIC UNDERWEAR, Limited, Moncton, N.B.

S. ELLIOTT & CO., Sales Agents for Newfoundland.

icy of protection afforded to local industries, which in many instances were unable to compete, owing to manufacturing difficulties and he doubted the ultimate benefit to customers.

MR. HIBBS made a plea for extra protection for the farmers especially in reference to potatoes.
 The report of the Chairman of Ways and Means reported passing certain resolutions and on motion for the adoption of the report, the Leader of the Opposition moved an amendment to the effect that the House do not proceed with the Tariff but consider a new Tariff. Speaking to the motion he urged that the Tariff will hamper the fishery particularly because there is a duty on imported lines and twines. He thought that the West Coast people will continue to use the imported lines. He did not see how the members for the South and West Coast could vote for the Tariff. From a revenue standpoint he thought the duty should not be taken off gasoline. He agreed in some respects with the Anti-Dumping Act, especially in relation to boots and shoes, and urged that the industry should be looked into to see if further protection was necessary so that all the boots and shoes needed in the country could be made here. An investigation in reference to our other industries was also urged by the speaker.

THE PRIME MINISTER pointed out that the attacks made on some of the local industries was done for political purposes. In regard to the statement of the Leader of the Opposition re imported lines and twines he pointed out that \$23,000 worth of imported lines came to the country, whereas the sale by the Colonial Cordage Co. totalled \$250,000, so that the figures show that nearly entirely, the local lines and twines are being used by the West Coast fishermen. For political ends also the vacancy in St. John's East had been given prominence. The District was well represented by the present two members and were the Opposition sincere in their claims that expenditure should be reduced, they would advocate not having the seat filled. The saving through not having a By-Election would amount to about \$10,000 and he felt sure that the people would favor the saving of this amount so that it might be applied to the reduction of taxes.

MR. GODDEN seconded this amendment and said he favored a reciprocal British Tariff.

MR. ASHBOURNE supported the amendment.
CAPT. WINSOR said that during the past twenty years he had heard many political speeches, but never had he heard such abuse as had been hurled at the Government this present session. He claimed that the people who were the fishermen's friend these years ago when they were getting 3 dollars for their fish, when the taxes were higher than they were now. He could not see how anyone could claim that Coaker was the fisherman's friend. If the Government was not burdened with the legacies of unpaid debts of the past Government, there would be no need for increased taxation, he said.
 At 6.30 the Speaker left the chair.

NIGHT SESSION.
 At 8 p.m. Capt. Winsor continued his speech in reply to the charges of the Opposition. He felt that the people who sent him to the House would trust him to look for the interests of the fishermen. He opposed the amendment proposed by the Leader of the Opposition.

MR. WARREN said he feared the amendment before the House was one that he could not support although he was against certain portions of the tariff. He thought that if passed as worded it would make confusion worse confounded. Mr. Warren referred to the London Times, April 6th reporting on the tariff measure, which he claimed showed that the correspondent was in possession of the fact that the Tariff Commission's report was being adopted by the Finance Minister. Mr. Warren claimed that a duty on flour should be imposed to offset the high duty on clothing. He was in favour of the abolition of the Income Tax for the reason that being a capital levy those paying it now will be in the position to put their surplus into business so that no loss will accrue to the colony. Mr. Warren repeated that he could not vote for the tariff, and likewise he could not vote for the amendment.
MR. SCAMMELL supported the amendment in favor of introducing a new tariff, which he thought was consistent with the attitude of the Opposition during the past couple of weeks. It was a tariff that protected home industries, but not that of the fisheries, which he claimed were languishing. He thought it was the duty of the Government to resign forthwith.
 The amendment was put and defeated 21 to 7.
MR. CASHIN moved an amendment to two or three items of the tariff, viz. a reduction in duty on lines and twines, tobacco and ready-made. **MR. HALFYARD** seconded the amendment.
THE MINISTER OF AGRICULTURE & MINES sympathized with the members who belabored the tariff. He thought that it would be popular legislation if a magic wand could be waved to raise revenue to pay the ex-

penses of the Government without taxing the goods coming into the country. He eulogized the Minister of Marine & Fisheries, who is about to spend not less than \$45,000 on aids to navigation in Placentia and St. Mary's District. As to the duty on lines and twines he figured that as only \$23,000 worth of lines and twines are imported it did not work out at 12 cents on the average to the fisherman. With regard to tobacco the same applies, and reckoning 12 lbs. as the average consumption of a fisherman the increase on imported tobacco would not mean more than a half dollar per year to him. He felt he could fully justify the Government's policy on the tariff were he to go before his constituents.

THE LEADER OF THE OPPOSITION supported the amendment.
SIR JOHN CROSBIE replying to the criticism of the Opposition, pointed out that like the head of a family he was trying to make two ends meet. The Leader of the Opposition had like a sensible man realized that taking off the Income Tax and Business Profits Tax and had not opposed it. He, however, labored much the bugle cry of the House, tobacco, lines and twines. It was not fair that the laboring man were working about; they were asking only for employment and plenty of it. Speaking of the Premier Sir John stated that he was today the largest supplier in the fisheries. He denied that the Government had increased expenditure by \$400,000, and claimed that most of the expenditure was owing to the necessity of repairs to the Dock and the payment of back bills. The previous Finance Minister had estimated a surplus of \$143,000, and when the present Government assumed power they found instead of a surplus a deficit of one million seven hundred and eighteen thousand dollars. Sir John unlike the Leader of the Opposition did not say that the markets for fish will be bad although he realized that exchange was not too good. Sir John in reference to the Times article said that Sir Patrick McGrath nor anyone else had any information of what was being done in relation to the tariff until it was submitted to the Executive the night before it was placed on the table of the House. As to the clean up programme Sir John asked if any one was foolish enough to claim that no efforts in this direction had been made in the Customs and the Post Office. In all the criticisms there was not one attempt at constructive criticism, and the only proposition of that nature was to put a tax on flour which he opposed. The Government was being asked to do the impossible in a brief period. Five of the nine months in power had been spent in the House. As soon as possible taxation would be reduced by reducing expenditure. On the question of the road building policy he claimed that whether the tourist came or not it did not matter so much because the time has come when the people themselves want good roads. The criticisms of the Opposition had not shown him how the tariff could be amended and yet produce the revenue to meet the expenditure.

MR. LAKE opposing the amendment pointed out that the bugaboo of lines and twines amounted to nothing now the majority of lines now used by the bankers are local made. Besides he pointed out that the vessel owners themselves had to supply the lines and twines so that any extra tax had to come out of their profits.
MR. HIBBS supported the amendment and in reference to duty on lines and twines, held that it was not so much with the object of raising revenue as to create a monopoly that the duty was imposed.
 The amendment being put was defeated 22 to 8.
 The original report was then put and carried on party vote 22 to 8. A Bill to give effect to the resolutions was read a first time.
 The House went into Committee of the Whole on Bill for the inspection of ships.
MR. ASHBOURNE suggested that the notification required of sealing vessel owners should be set later than Feb 1st. The Minister pointed out that provision covering this point was covered under Sec. 12 of the bill.
MR. HALFYARD suggested that the regulations should be well circulated so that people may understand that the laws re overcrowding are made for the protection of life and that the captains should not be blamed for carrying out these regulations.

MR. SCAMMELL also referred to the regulations regarding boats on passenger ships and told of his thoughts last year when the life boats from the Prospero last year sank after being lowered from the davits. He thought it the duty of

somebody to see that the boats are examined frequently to see to their seaworthiness. He expressed his concurrence in the bill before the chair.
THE MINISTER OF AGRICULTURE congratulated the Minister of Marine and Fisheries on his human bill and endorsed the remarks made by Mr. Scammell.
CAPTAIN WINSOR pointed out that the boats referred to have been thoroughly repaired and tested since the accident.

MR. C. LAKE supported the bill, but thought it did not go far enough in so far that a penalty should be imposed for non performance in relation to boat drill.
THE MINISTER OF JUSTICE explained that such provision as was possible had been made in the bill and it would be easy to find if the drill was not carried out by referring to the ships log. Omission to log would be a breach under the act.
 The Committee then rose and reported having passed the Bill, which was read a third time and sent to the Council.
 The House then went into Committee on a Bill to repeal the Act "Of Passengers Accommodation on Steamers" and passed the same. The Bill was then read a third time and ordered to be sent to the Legislative Council.
THE ATTORNEY GENERAL presented the Report of the Select Committee on the Confirmation of Titles at

GIN PILLS FOR THE KIDNEYS

Don't trifle with a Pain in the Back—it may mean Kidney Trouble! Gin Pills will relieve you. Get a box to-day.

UNITED SCHOOLS
 MEAN MORE SCHOOLS AND BETTER.
 TO BECOME A CONTRIBUTOR YOU MAY SUBSCRIBE
IN ONE PAYMENT
 OR BY
INSTALMENTS

HOW TO GIVE

\$ 10.00—Pay \$ 2.00 or more down and \$ 1.00 a month	2.00 " " " " " 2.00 " "
20.00—Pay \$ 4.00 " " " " " 4.00 " "	4.00 " " " " " 4.00 " "
40.00—Pay \$ 8.00 " " " " " 8.00 " "	8.00 " " " " " 8.00 " "
50.00—Pay \$ 10.00 " " " " " 10.00 " "	10.00 " " " " " 10.00 " "
100.00—Pay \$ 20.00 " " " " " 20.00 " "	20.00 " " " " " 20.00 " "
500.00—Pay \$ 100.00 " " " " " 100.00 " "	100.00 " " " " " 100.00 " "

CANVASSERS WILL CALL THIS WEEK.
 Those who can help financially and do not, will not only lose a great opportunity, but will close the doors of progress to many future citizens of this Country.
HEADQUARTERS: BISHOP'S BLOCK, WATER STREET.

Use LUX for Everything You Wash Yourself

The woman who uses LUX need never worry about her hands. LUX is as mild as the finest toilet soap. LUX will leave your hands white and soft.

Take Care You Get LUX which is sold only in packages.

Silks, Cottons, Woolens, Flannels, etc., washed with Lux will last longer. Wash your baby's clothes with Lux. Use Lux for all fine fabrics. Lux will never disappoint you. Before you put your Blankets away, wash them with Lux.

Imagine washing your hands with injurious soap for two hours a day. Yet that is what you do when you wash dishes; no wonder your hands get THAT-IN-THE-DISH-PAN-APPEARANCE.

Use Lux for washing dishes, it's quicker and cheaper, a teaspoonful of Lux will wash a pan of dishes, and your hands will remain beautiful.

Stockings washed with LUX will give better wear.

Dissolve a tablespoonful of Lux in a bowl of boiling water, then add cold water to make a lukewarm mixture, draw your stocking back and forth through the suds until thoroughly clean, then rinse in warm water twice, now press them between a towel. Don't wring them, hang up to dry or iron them between a towel.

Corner Brook Bill, recommending the adoption of the Bill.
THE PRIME MINISTER tabled the Report of the Newfoundland Patriotic Fund.
 At midnight the House adjourned until this afternoon.
Honour your School Days— by a big subscription to the United Schools Campaign Fund.
 may 5, 1925

In the Supreme Court.

In the matter of the Petition of Harold Macpherson of St. John's, Merchant, alleging that Chesley Kennedy and Stanley Kennedy, trading as William Kennedy & Sons, are insolvent and praying that they may be so declared.

ORDER.

Upon reading the Affidavit of Mr. Harold Macpherson, and upon hearing Mr. McNelly of Counsel for him, I do order that Chesley Kennedy and Stanley Kennedy, trading as William Kennedy & Sons and their creditors appear before me in Chambers on Wednesday the 13th day of May, at 11 o'clock a.m. to be examined and heard touching the alleged insolvency of Chesley Kennedy and Stanley Kennedy, trading as William Kennedy & Sons; and in the meantime I appoint the said Harold Macpherson Interim Trustee of the estate and effects of the said Chesley Kennedy and Stanley Kennedy, trading as William Kennedy & Sons.

Dated at St. John's this 2nd day of May, A.D. 1925. (Sgd.) J. M. KENT, Judge.

NOTICE

There will be a Meeting of the T. A. Ladies' Auxiliary this Tuesday evening, at 8 o'clock.

N. HICKEY, Secretary.

NOTICE

The Regular Monthly Meeting of Terra Nova Council, No. 1452, Knights of Columbus, will be held in Columbus Hall, Duckworth Street, Tuesday, May 5th, at 8 p.m.

J. A. SAGE, Fin. Secretary.

NOTICE

NOTICE is hereby given that Frederick A. Eustis, proprietor of Newfoundland Letters Patent No. 492 for "New and Useful Improvements in and relating to the Art of making Electrolytic Iron" is prepared to bring the said invention into operation in Newfoundland and to license the same or to sell the same upon terms to be obtained from

GIBBS & BARRON, Solicitors for Patents, Bank of Montreal Bldg., St. John's, apr21,41, tu.

NOTICE

In the matter of the Assignment of Dugald Munn of St. John's, Merchant, for the benefit of his creditors.

Notice is hereby given that all persons who have any claim upon the said Dugald Munn whether contracted in his own name or the name of James Cron & Company, Harbor Grace; The Harbor Grace Oil Clothing Company, Harbor Grace; The Commercial Agency, St. John's; or otherwise howsoever are hereby requested to send particulars of same in writing duly attested to the undersigned trustees of the estate of the said Dugald Munn on or before the tenth day of May next after which date the said trustees shall proceed to distribute the said estates amongst the parties entitled thereto having regard only to the claims of which they shall then have notice.

St. John's, April 7th, 1925. R. E. INNES, JOSEPH J. LONG, Trustees.

ADDRESS: Bon Marche Bldg., Water St. St. John's. apr7,14,21,28,may5

NOTICE

In the matter of the Companies Acts and in the matter of The Thomson Leather Company, Ltd.

Notice is hereby given that the creditors of the above named Company, which is being voluntarily wound up, are required on or before the tenth day of May A.D., 1925, to send their names and addresses and the particulars of their debts or claims and the names and addresses of their solicitors, if any, to Messrs. R. E. Innes and Joseph J. Long, Bon Marche Building, Water Street, St. John's, Newfoundland, the Liquidators of the said Company, and, if so required by notice in writing from the said Liquidators, are by their solicitors to come in and prove their said debts or claims at such time and place as shall be specified in such notice, or in default thereof they shall be excluded from the benefit of any distribution made before such debts are proved.

St. John's, April 7th, 1925. BLACKWOOD, EMERSON & WINTER, Solicitors for Liquidators. apr7,14,21,28,may5

STATUTORY NOTICE.

In the matter of the Estate of William Ashbourne, late of Twillingate, Merchant, deceased.

All persons having claims against the Estate of William Ashbourne, late of Twillingate, Merchant, deceased, are requested to furnish particulars of the same, duly attested, to Thomas J. W. Ashbourne, Executor of the Will of William Ashbourne, at Twillingate, on or before the 31st day of May, 1925, after which date the Executor will distribute the said Estate, having regard only to such claims as he has then have had notice of.

Dated St. John's, April 27th, A.D. 1925. S. J. FOOTE, ESQ., Solicitor for Executor. pr28,41, tu

TO-DAY'S MESSAGES.

AMERICAN ATTITUDE CLEARLY DEFINED.

LONDON, May 5. A. S. Houghton, the newly appointed Ambassador to the Court of St. James, made his bow to a British audience to-night at the traditional dinner of the Pilgrims. It was a night of plain speaking. Ambassador Houghton, in a brief, concise address, told the audience which included the Duke of York, Premier Baldwin, and other members of the Cabinet, and men representative of the realm, Ramsay MacDonald and others of every political belief, that the United States wanted a settlement of Europe's vexing problems, and that unless peace were established in Europe, he feared the part the United States had previously played as an interested and sympathetic participant, might give way to a lesser role. In return Lord Desborough, the Chairman, Stanley Baldwin, Prime Minister and former Premier Ramsay MacDonald assured him of the interest in which the people of Great Britain held his pronouncements and laid stress on their appreciation of the bond between the two nations. Mr. Houghton said the United States wanted the re-establishment of a real peace, an assurance of a return of good faith in Europe, and upon that their participation in the reconstruction of normal conditions largely depended.

GERMANY CANADA'S THIRD BEST CUSTOMER.

MONTREAL, May 5. That Germany is Canada's third largest market, coming after the United States and Great Britain, and that this market is being rapidly increased, was the pronouncement of L. D. Wilgress, Canadian Trade Commissioner to Germany here to-day. He stated that an increase of nearly \$10,000,000 had been affected in Canadian exports to that country in the last fiscal year over the total of the preceding year. Last year Germany purchased \$25,000,000 of Canadian goods.

SITUATION IN MOROCCO WELL IN HAND.

RABAT, French Morocco, May 5. The situation arising from the invasion of the French zone of Morocco by Abdel Krim's Rifian Tribesmen, which was at one time most serious is now considered well in hand, due to the punishment inflicted upon the invaders by the French forces.

THE POUND REACHES 48 5/8.

LONDON, May 5. Under the demand from the United States and local sources, the pound sterling, which is slowly climbing toward parity, to-day touched its highest point on this side of the Atlantic since the war at 48 5/8 or a fraction beyond New York's overnight level.

COLLECTING EVIDENCE IN SOFIA OUTRAGE CASES.

SOFIA, May 5. The examination of forty-six witnesses continues in the case growing out of the bombing of Sveti Cathedral here with the loss of 160 lives, but the most interesting evidence is not allowed to become public, the doors being frequently closed. Two witnesses admitted knowledge of the attempt made upon King Boris when he was fired upon on April 14th, the bullet carrying away part of his moustache.

RICHARD HUDNUT THREE FLOWERS TALCUM

Your choice of the three flowers color presented in the Talcum Powder line of Quality and Daintily.

SHIPPING.

S.S. Silvia is due here to-morrow morning and sails Thursday. S.S. Sabie I is due to-morrow. S.S. Rosalind leaves New York to-morrow, May 6. S.S. Alredale leaves Montreal via Charlottetown, Thursday, for here. S.S. Elvenc, with 6,000 tons, and S.S. Loch, with 7,500 tons from ore, have sailed for Rotterdam, from Bell Island.

Honour the Memory of your Parents—by giving goodly sums to the United Schools Campaign Fund.—may4,61

MEETING POSTPONED—The Sports Committee meeting of the Methodist Guards Comrades Association scheduled for to-night has been postponed for a week.

SHIRIFF'S VANILLA. Image of a bottle of Shiriff's Vanilla.

PIMPLES ITCHED ALL THE TIME

Face and Arms Covered. Could Not Sleep at Night. Cuticura Heals.

"My face and arms were covered with pimples and blackheads. The pimples were hard and red and burred over. They itched and scaled all the time, and I could not sleep at night. My face looked so badly that people talked about it. I read an advertisement for Cuticura Soap and Ointment and sent for a free sample. After using it I got relief so purchased more and in two weeks I was completely healed." (Signed) Miss Miriel Jellymon, Lower Wentworth, Nova Scotia. Clear the pores of impurities by daily use of Cuticura Soap with touches of Cuticura Ointment as needed to soothe and heal. Cuticura Talcum is fragrant and refreshing. Sample each free by Mail. Address: Cuticura Dispensary, 1615 Broadway, New York City. Cuticura Soap, 25c. Cuticura Ointment, 25c. Cuticura Talcum, 25c.

Portia Arrives

SEALS NUMEROUS IN GULF.

The Government Coastal Steamer Portia, arrived from the West Coast at noon to-day, after a round trip passage of nine days. She brought a part cargo of freight, and the following saloon passengers:—Miss Bishop, Miss McNamara, Richard Davies, W. Nolan, G. Norris, W. Goshue, F. Dally, Miss K. Rowell, Miss Duggan, Miss Carroll, Miss Power, Miss Bishop, Miss Stella Rowell, G. LeCourre, R. Hogan, Francis Lee, A. St. Croix, G. G. Bishop, Constable Vall, and 21 in the steerage. Capt Connors reports the fishery very good all over the coast, with a plentiful supply of herring for bait. The fishermen have done exceedingly well along shore, while the bankers have left home on their second baiting. The captain also states that the ice is black with seals near St. Paul's Islands in the Gulf. An American ice breaker took over 500 there a few days ago, and Cape. Kipling from a Cape Breton port reports for a full load. The weather on the West Coast has improved during the past week, and the only delay the ship met with was on Saturday when she was obliged to remain at Fortune overnight on account of fog and strong S. E. winds. Const. Vall arrived from St. Mary's in charge of a prisoner for the penitentiary.

Exchange Rates

Sterling exchange has now reached the highest point since the war as is shown by the following quotations.

Table with 2 columns: Description, Rate. Includes 60 days Sight, 478, 482 1/2, 483 1/2, 486 1/2.

Buick An Honest comparison of automobile values will result in your buying a Buick. There are MORE BUICKS in use north of the Ohio River and east of the Mississippi than there are of any other make of 6-cylinder cars in the United States. You choose wisely when you choose a Buick. "When better automobiles are built, Buick will build them." BERT HAYWARD, Phone 1882, Water St. may1,61

Colorite HAT FINISH. Save last year's hat. Keep that faded straw hat. Give it a brand new color or restore the original one with Colorite. 16 fashionable colors from which to choose. may2, mos, tu, s

Radio Batteries Charged by an Expert WILLARD BATTERY SERVICE STATION. M. Maddigan, Manager. Cliff's Cove. Phone 1808. feb21, 12

Dried Fish Trade

Experimental Station Board Discusses How To Improve Quality Of Fish.

A meeting of the advisory committee of the Atlantic Experimental Station for Fisheries was held Thursday in the rooms of the Board of Trade, Halifax, to consider matters in connection with the dried fish trade, particularly how to improve quality and to ensure better prices. Outside points, such as Lunenburg and Digby were well represented. The meeting was unanimous as to the desirability and even necessity of getting action toward improvement in the quality of fish, and it was proposed that demonstrations of the best methods of preparing the fish should be given in the chief centres. The Station was asked to prepare in consultation with the trade a pamphlet defining the different qualities of dried fish, which might serve as a basis for a standard grading of the product, and so give confidence to the buyers, with higher prices as a result.—May 2, 1925.

Just arrived new shipment of Bubs for all makes of cars, head and tail lights, at MCKINLAY'S Garage.—apr29,61

Wedding Bells

A very pretty wedding was solemnized at St. Patrick's Church, on April 26th, by Rev. Dr. Kitchin, the contracting parties being Miss Anastasia O'Leary of this city and Mr. Peter Lahey of Cape Broyle. Mr. William Harvey, Cape Broyle acted as best man and Mrs. Ladie of this city officiated as bridesmaid. The bride looked very pretty in a travelling suit of fawn with hat to match. After the ceremony the bridal party motored to their future home, 18 Duggan Street, where they were welcomed by a large number of friends and a very enjoyable evening was spent in dancing and feasting to the very early hours of the morning. The bridal party were the recipients of many useful and beautiful presents, showing the esteem in which the young couple were held. All friends join in wishing the newly wedded couple many happy years of wedded life.

For pain in the back—try Juniper Pills—25c. at STAFFORD'S.—apr27,1mo

Government Boats

Argyle left Argentina 5.30 p.m. yesterday, going west part bay. Clyde left Exploits 5 p.m. yesterday. To-day's train connects for N. D. Bay north. Glencoe left Argentina 6.20 p.m. yesterday, going west. Kyle left for North Sydney 1 a.m. due Port aux Basques Wednesday morning. Malakoff left Salvage 3.30 p.m. yesterday. Thursday's train connects for south. Portia arrived from westward noon to-day. Sagona due at Humbermouth to-day.

Juniper Kidney Pills at STAFFORD'S—25 doses for 25c.

TRAIN NOTES.—Sunday's express arrived at Port aux Basques 12.15 this a.m. The express reached the city at 5.30 p.m. yesterday. The express is due at 1 p.m.

On the Air To-Day

STATION WOR—405 METERS—740 KILOCYCLES. Tuesday, May 5th, 1925. (Daylight Saving Time) 6.45 a.m., 7.15 a.m., 7.45 a.m.—Bernarr Macfadde's "Early-bird" Gym. Class. 2.30 p.m.—Santi and Harry Tafarella, recording artists, cornet, clarinet and saxophone solos and duets. 3.00 p.m.—Leon Moses, Ph. D. in a talk on "Browning, the Poet of the Soul." 3.15 p.m.—Bert Roborn's Society Orchestra. 6.15 p.m.—"Music While You Dine." Hotel Lorraine's Orchestra broadcasting direct from Grill Room, Hotel Lorraine, 46th Street and 5th Avenue, New York City. 6.30 p.m.—"Man in Moon" stories for the children by Josephine Lawrence and William F. B. McNeary, copyright Newark Sunday Call. 7.00 p.m.—"Music While You Dine." Hotel Lorraine's Orchestra broadcasting direct from Grill Room, Hotel Lorraine, 46th Street and 5th Avenue, New York City.

Radio Batteries Charged by an Expert WILLARD BATTERY SERVICE STATION. M. Maddigan, Manager. Cliff's Cove. Phone 1808. feb21, 12

IN OUR MANTLE ROOM UPPER BUILDING An abundance of desirable Ladies' & Misses' Wear for the coming season Personally selected from the European and American Fashion Centres WE GIVE PARTICULAR ATTENTION TO ORDERS BY MAIL. LADIES' COSTUMES: Black Tricotine 30.00, 32.00 to 52.00; Navy Tricotine 40.00, 43.00, 45.00; Brown Velour Cloth 29.00; Tweeds, Grey, Brown and Mixed 25.00, 27.50; Fawn Gaberdine 34.00, 43.00, 50.00. LADIES' BREECHES AND KNICKERS: For Sports, Hiking and Camping occasions, 24 to 39 waists. Khaki Drill 3.40 pr.; Mixed Tweeds 5.40 and 6.70 pr.; Khaki Cloth 5.70 and 10.30 pr. LADIES' RAINCOATS: English Tweeds, rubber lined, in Grey and Brown Mixtures 29.00, 31.00; Fawn Raglans 12.50; Fawn and Grey Twill 17.00, 20.75, 24.50; Fawn and Grey, shot effects 23.00; Shot effects, belted and lined 27.50; Raglans in Dolman style, Navy, Grey and Fawn 32.00; English Tweeds, unlined, no belt 15.75, 20.75, 23.00. WOOL COSTUMES: Tuxedo style, Saxe, Fawn and Grey 12.80, 17.00, 18.30, 23.50, 28.00, 32.50 to 50.00; Pull-over styles, Fawn, Navy and Black and White 7.95. LADIES' COATS: Velour Cloth, Grey, Brown and Fawn 20.00 to 32.00; Polo Cloth, Plain Fawn 16.70, 18.00, 20.00; Polo Cloth, Striped and Check 18.00, 22.00, 28.00; Gaberdine, Navy only 39.50, 43.00; Gaberdine, Fawn, Tan, Rust and Henna 34.75, 42.50, 50.75; Velours and Gaberdines, Fur trimmed, Fawn, Rose and Tan 29.00, 34.75, 43.00. LADIES' DRESSES: Fine Jersey Cloth, Grey and Tan, 36 to 40 16.50; Fine Jersey Cloth, Mauve, Putty, Saxe, 36 to 40 11.50; Fine Jersey Cloth, Rose, trimmed Navy, 36 to 40 23.00; Flannel—16 to 38, Fawn, Grey and Tan Checked 6.30, 15.50; Flannel—16 to 38, Fawn, Grey and Tan Striped 18.50; Fine Poplin—36 to 40, Navy, Grey and Brown, Braided, Pleated and Button trimmed 29.00, 32.00, 36.00; Gaberdine—36 to 40, Navy only. Some coat styles, straight lines 18.50, 20.00, 23.50, 26.00 to 45.00. LADIES' DRESSES: Black Satin—16 to 40, 16.50, 18.50, 22.60 to 35.00; Black Crepe de Chine and Canton Crepe—16 to 40 14.75, 16.25, 19.60, 22.60 to 39.75; Crepe de Chine, Canton Crepe, Crepe Meteor Satin, Satin de Chine, etc., showing in all the latest shades 13.60, 16.25, 19.50, 22.60 to 54.00; Evening and Semi Evening Dresses, Georgette—36 to 40, Pink, Peach, Mauve, Lemon, Light Blue and Black, 26.50 28.50, 37.70 to 54.00; Gaberdine and Poret Twill, 36 to 40, Fawn, Brown, Tan, some self Embroidery trimmed, some oriental 24.50, 29.50, 33.00. MISSES' WEAR: Rain Coats, with Hood, Sizes 27 to 36 4.40 to 5.20; Raglans, Fawn and Khaki, Sizes 30 to 42 10.00; Spring Coats, Fawn and Grey, Polo Cloth and some fancy plaids, Fit 8 to 12 years 10.20.

HOUSES FOR SALE AND MONEY TO LOAN. Houses from \$1,000.00 to \$18,000.00. Situate all parts of the City. Cash or terms. Loans on Mortgage from \$100.00 upwards. City property security. Current rate of interest. FRED J. ROIL & CO., Real Estate & Insurance Brokers, Smallwood Bldg., Duckworth St. oct3, 12

Klenzo Tooth Paste. The daily use of Klenzo will keep your Teeth White and Sparkling—your gums healthy and your breath sweet and clean. A generous size tube costs 35c. PETER O'MARA, THE DRUGGIST, THE REXALL STORE.

WE NEED PRODUCERS! This Company has room and a remunerative proposition for a few red-blooded representatives. We want men who are aggressive and industrious to thoroughly explain our splendid policies to a waiting public. Every assistance given reliable men—large territory—attractive printed matter—and the influence of a \$41,000,000 twenty-eight-year-old Company behind you. If you have sales ability, check up our proposition. U. S. FIDELITY & GUARANTY CO. J. J. LACEY, Mgr. General Agent.

Tuesday DIRECTOR "AD" Owing opening It The creator own record of fashion try mould De Mille "CON" "CO" "WH" If you There is w Clothes that not for the The Re made for t one who h But be and better SPURR make no m Spurrell ST. Send fo out of tow Regt vis MUI Monday TROS. HARR Board of th Summers RODGERS

The Nickel Tuesday and Wednesday.

DIRECT FROM THE RIVOLI THEATRE,
NEW YORK.

"ADRIAN DASILVA," Tenor.

Owing to accident to S.S. Silvia, Artistes
opening delayed until arrival of steamer.

It IS a Triumph!



ADOLPH ZUKOR AND
HERSE LASKY PRESENT
CECIL B. DE MILLE'S

"TRIUMPH"

WITH
LEATRICE JOY, ROD LA ROCQUE

The creator of "The Ten Commandments" breaks his
own record for lavishness with "Triumph." The whirl
of fashionable society and the world of modern industry
moulded into the most luscious screen feast since
De Mille's "Male and Female" and "Manslaughter."

COMING—"THE DENIAL" and
"CONFESSIONS OF A QUEEN," both
big Metro Special Productions.

Why, of Course

If you want GOOD Clothes go to a GOOD Tailor.
There is where you get good material, good fit and
clothes that look as if they were made for YOU, and
not for the other fellow.

The Ready-to-Wear! Yes, of course. They were
made for the one who buys them, very seldom for the
one who fits them.

But be careful and go to a good tailor. It's cheaper
and better.

SPURRELL'S are good, reliable tailors, and you
make no mistake in going there.

Spurrell the Tailor **Spurrell the Tailor**
ST. JOHN'S. GRAND FALLS.

Send for Samples and measuring forms if you live
out of town.

FREIGHT!

Regular Steamer Sailings from Montreal
via Summerside, P.E.I., to St. John's.
MURRAY TRANSPORT CO., LTD.
Montreal Agents:
THOS. HARBING & SON, LTD.
Board of Trade, Montreal
Summerside Agents:
RODGERS & ARNETT.
St. John's Agents:
A. H. MURRAY & CO., LTD.
apr20.eod.txy

New Play With New Artistes at Casino

LARGE AUDIENCE WITNESS ARLE
MARKS AND PLAYERS IN GREAT
BILL.

A large audience had a thoroughly
good time at the opening performance
of "A Good For Nothing Husband"
which Arlie Marks and her players
gave such an excellent interpretation of
in the Casino last night. The plot of
the play centers around the fortunes
and misfortunes of Barney Malloy, a
big hearted Irishman who is strugg-
ling with an invention of high ex-
plosives. But to relate the story here
in detail would only spoil the interest
to those wishing to see to-night's per-
formance. The role of Barney Malloy
is in the hands of H. Webb Chamber-
lain, a dramatic and character perfor-
mer of rare ability. Mr. Chamberlain
is gifted with beautiful diction and
enunciation and his performance pos-
sesses a marked realism. Miss Arlie
Marks, the little queen of repertoire
as she is popularly known, is seen in
this bill in the role of Chubby Malloy
the winsome daughter of Barney and
gives a beautiful performance of the
character. Miss Marks can always
be relied upon for giving faithful in-
terpretation. Lindsay E. Perrin cer-
tainly knows how to put over his
part and bring laughs. In his role of
Oliver Crenshaw he gives his friends
rather a surprise as he plays a semi-
villainous role, a character quite dif-
ferent from Mr. Perrin's usual roles.
This adds another to his long list of
characterizations. Miss Nettie Daven-
port gives excellent account of herself
in the role of Mrs. Malloy. Her act-
ing is indeed true to life. Walter De-
luna as Judge Crenshaw and W. L.
Phillips as Zeb Russel are two charac-
ters which cause considerable humor.
Both are character parts and are well
done. Paul Brady gives a masterful
performance of the part of Roger
Sherman.

The entire play is one of exception-
al interest and should be seen by all
who love good comedy and brilliant
drama.

Last night's vaudeville contained
plenty of pep and novelty. A great
feature was the Handcuff and Shackle
escape by the Great Andrews, the not-
ed Magician. No less than three pairs
of handcuffs were clasped on him and
in very quick time he gets out of
them. This act in itself is a rare am-
usement. Another good attrac-
tion is the Mind Reading act by the
Princess Abdi Hamid. The Scotch
Lads and Lassies with Spotty Allison,
Peggy Logan, Susie MacDonald, Jim
Daly and Mickey Kane again delighted
their host of friends by their snappy
review.

COURT OF ENQUIRY.—The court
of enquiry in connection with S. S.
Ranger did not sit at 3 p.m. yesterday,
owing to an unforeseen circumstance,
and it was decided to postpone the
further hearing until to-day at the
same hour. Two men arrived from
Bonavista Bay yesterday to give evi-
dence.

TO-NIGHT prepare for a good to-morrow

There will be a marked dif-
ference in your feelings, and
in your ways, if to-night you
will seek the aid of Beecham's
Pills.

This thoroughly tried, time-
tested family remedy will not
disappoint those who use it,
correcting the mistakes made
in eating and living. Beecham's
Pills tone the stomach, clear
the liver and regulate the
bowels. They clear the system
of the impurities which do
mischievous and cause suffering.
To feel and look in better
condition

**TAKE
BEECHAM'S PILLS**
Sold Everywhere in Canada

Wedding Bells.

WINDELER-BRAIN.

A very pretty wedding, which at-
tracted unusual interest took place at
"Holy Trinity" Church, Grand Falls,
at 7:30 p.m. on Thursday the 30th,
April, the contracting parties in the
ceremony which linked together the
future of two young lives, being Miss
Dorothy E. Brain and Mr. Henry S.
Windeler both of whom have resided
in and become popular citizens of
this town for a number of years. The
bride is the elder daughter of Mr. and
Mrs. William Brain, formerly of Kent,
England and the groom is the son of
Mr. and Mrs. H. D. Windeler, of St.
John's, Nfld. and is attached to the
Engineering Staff of the Anglo Nfld.
Development Company Ltd., Grand
Falls.

Long before the appointed hour a
large number of people gathered near
the Church in which the happy event
was to be consummated and, on the
arrival of the wedding party the
Sacred Edifice, the Chancel of which
was tastefully decorated with season-
able flowers and ferns, was filled to
its utmost capacity with an apprecia-
tive congregation who came to honor
the occasion. The arrangements were
carried out in a very acceptable man-
ner by the gentlemen who acted as
ushers, viz: Messrs. Keddie, Harvey,
Bethune and Short, nothing being left
undone to avoid confusion and dis-
comfort to the assemblage.

The bride entered the west door of
the Church and was escorted up the
middle aisle by her father who acted
as father giver. At the Chancel steps
she was met by the Groom who, with
the best man, was in waiting. The
bride's dress was a lovely gown of
French crepe over satin, with Batten-
burg lace panel down front and edging
bottom of skirt with applique flowers
in self material combined with satin
and with magnificent court train of
self material and Battenburg lace.
She also wore a Bridal veil of Russian
effect with coronet of rose point lace
and orange blossoms and carried a
beautiful shower bouquet of pale pink
roses. Her attendants were Mrs. Ken
Goodyear, as Matron of honor and
Miss Elsie Brain, as bridesmaid, both
of whom wore rich and appropriate
gowns and carried shower bouquets of
mixed roses. Little Miss Myrtle Brain,
niece of the bride, was train bearer
and made a pretty picture in her
smart Parisian gown of mauve with
Dutch bonnet. Mr. George M. Em-
erson, O.B.E. supported the groom in a
very characteristic and efficient man-
ner. The guests of honor occupied
positions in front rows reserved for
their use. A full robed choir was in
attendance and the choral portions of
the ceremony were well rendered. The
officiating Priest was the Rev. T. E.
Loder, Rector of the Parish. During
the signing of the Register the hymn
"O Perfect Love" was sung by the
choir. A guard of Honor from the C.
L. B. of which the groom is the Com-
manding Officer, was in attendance.

Following the ceremony a reception
was held at the home of the brides-
parents, 12 Carmelite Road, where
Mrs. Brain received the bridal party
and guests, her trock being of black
with panels of almond green embro-
idered with gold and black. A most en-
joyable few hours were spent during
which the customary toasts and
speech making prevailed and full jus-
tice was done the "inner man" through
the good offices of the refreshments
so generously furnished in celebration
of the marriage feast.

At 9:30 the happy couple, amid
good wishes and showers of confetti,
left by motor car for Botwood, where
they join the S. S. Geraldine Mary for
England where the honeymoon will
be spent. The presents were numer-
ous, costly and elegant and demon-
strate very clearly the high esteem in
which the young couple are held, not
alone in this community but by many
friends and well wishers in other
places. May the matrimonial voyage
be one of happiness and prosperity.—
COM.

Grand Falls, May 2nd, 1925.

Try Crosskills Syrups and be
convinced—Canada's favorite
for over 100 years. See advt. to-
day's Telegram.—apr24.61.eod

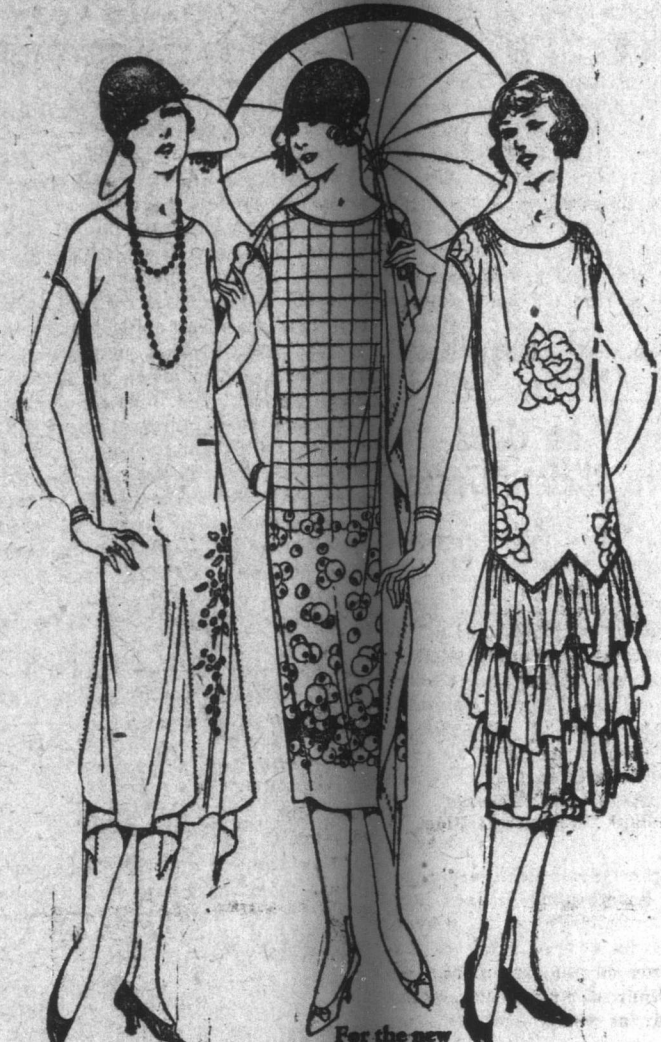
"It's perfect!"

Thousands of women say so
after trying the new

PRINTED PATTERN of PICTORIAL REVIEW

—the pattern that almost talks to you

- Perfect—because it's simplified. Any woman who reads can use it without a moment's fear of making a mistake—without a possible chance of cutting her cloth wrong.
- Perfect—because it's printed. Every instruction you need is printed in large type on the clear, clean, almost white paper of the pattern. No fear of soiling your material.
- Perfect—because it's cut-out. No margins to trim off, fold over or confuse you. It comes to you ready for use.
- Perfect—because it's easily matched. Corresponding notches on the different pieces are numbered alike and fully described showing you exactly how to put them together.
- Perfect—because it's guaranteed. We will refund every cent of expense incurred should you suffer the slightest loss through any defect in the pattern.



Fashion figures on right illustrate three of the many charming new summer styles shown in the Pictorial Review Summer Fashion Book on sale at all Pictorial Review Pattern Agencies. Also in the Pictorial Review Magazine for May—now on sale.

For the new 34-inch material
Pictorial Review Printed Pattern Dress 2696 45c
Pictorial Review Printed Pattern Dress 2581 45c
Pictorial Review Printed Pattern Dress 2706 45c

Pictorial Review New Printed Patterns

On Sale at Charles Hutton's.

Principals in Fracas

BOUND OVER TO KEEP THE PEACE.
In connection with the recent fracas at Deer Lake, between several Canadian lumbermen and local workmen, word was received yesterday by the Minister of Justice, from Magistrate Scott, saying that he had proceeded there from Curling and conducted the trial on Friday, Saturday and yesterday morning. The Court House was filled all through the hearing and great interest was displayed in the case. Eleven of the principals in the fracas were fined different amounts and bound over in the sum of \$300 to keep the peace for two years. The mes-

sage added that what might have been a serious situation had been brought to a peaceful end.

For a good wholesome, healthy drink, try Crosskills Syrups and Lime Juice. Guarantee of purity with each bottle. Canada's favorite since 1813. See advertisement.—apr24.61.eod

KIELLEY'S DRUG STORE

- SPECIALS:**
- 3 Flowers Face Cream, each 50c.
 - 3 Flowers Face Powder . . . 50c.
 - 3 Flowers Talcum 50c.
 - 3 Flowers Travelites 45c.
 - 3 Flowers Compact 70c.
 - Dramatic Bal Masque Face Powder, Reg. \$1.50, now 70c.
 - Essence Nordy's Face Powder, Reg. 50c, now 45c.
 - Colgate's Splendor, Radiant Rose Florient, etc. Face Powder, Reg. 90c, now 55c.
 - Colgate's Cashmere Bouquet and Eclat Face Powder—15c. and 35c.
 - Colgate's Bandoline for dressing and keeping the hair in place, now 25c.
 - Roger & Gallet's "Bouguet" de Amour Face Powder, Reg. \$1.20, now 55c.
 - Roger & Gallet's Cold Cream, pot 50c.
 - Woodbury's Face Powder 40c.
 - Woodbury's Face and Cold Creams, large pot 50c.
 - Luxor Face Powders 50c.
 - Parke Davis & Co. Cold and Vanishing Cream, large & 6c. pots 50c.
 - English Blades to fit Gillette Razor, made by Jos. Rogers & Sons, doz. \$1.50
- Water Street East.**
603, 137



MILNARD'S LINIMENT FOR THE GRIPPE.

**Proceedings at the
Legislative Council**

MONDAY, May 4th.
OFFICIAL SYNOPSIS.
The Council met at 3 p.m. pursuant to adjournment.

HON. MR. MORINE tabled the report of the N.B. Patriotic Fund for the year ending December 31st, 1924. HON. MR. MORINE gave notice of Suspension of the Rules of the House to-morrow, for all matters now before the House, or to come before the House for the remainder of the Session.

The Council resolved into Committee of the Whole on a Bill to Amend the Act relating to Supreme Court Procedure, Hon. Mr. Anderson in the chair.

HON. MR. MORINE informed the Council that since last sitting he had consulted with the framers of the Bill and an agreement had been reached to submit certain new amendments which he believed would satisfy the members who discussed the measure at the previous sitting. The amendments were read and accepted.

The Committee rose and reported the Bill with some amendments, and by unanimous consent it was read a third time and passed and ordered to be sent to the House of Assembly, with a message asking concurrence in said amendments.

HON. PRESIDENT informed the Council that he had received a message from the House of Assembly acquainting the Council that they had passed a Bill entitled "An Act to Amend the Industrial and Provident Societies Act, 1919," and requesting concurrence therein.

The Bill was read a first time and ordered to be read a second time on to-morrow.

The Council then adjourned until to-morrow, at 3 p.m.

"Triumph" an Ultra-Modern Society Drama

Cecil B. DeMille's Great Drama a Wonderful Success at The Nickel.

In "Triumph," which opened at the Nickel Theatre last evening, Cecil B. DeMille returns from the ancient spectacle of his "Ten Commandments" to the type of ultra-modern society love drama in which he scores his most sensational success and of which "Male and Female" and "Manslaughter" were notable examples.

Here is the typical DeMille production, with its gorgeous settings, luxurious backgrounds, beautiful women, flashing gowns and an array of featured players that looks more like a copy of the roster of the Paramount studios than a cast. Leatrice Joy, Rod La Rocque and Victor Varconi have the principal roles. Then there are Charles Ogle, Julia Faye, Theodore Kosloff, Robert Edenson, Zaza Pitts, George Fawcett and Raymond Hatton, all featured. Quite a line-up, you'll agree.

"Triumph" is the story of a strong man ruined by money and a weak man regenerated through the loss of it, and through a wonderful girl. It takes one man from the haunts of the rich and tosses him into the gutter. It takes another from poverty to wealth and high position. It shows you a factory girl in the way and thunder of ponderous machinery. It shows the same girl at the pinnacle of what she calls "Triumph," with wealth, jewels, applause.

C. E. I. Smoker

The members of the Institute held a smoker at their rooms last night. The President, Hon. J. J. Long, was in the chair. Mr. N. Snow, on behalf of the billiard committee, formally presented to the Institute the cup won at the tournament with the M.G.C.A., which had been put up for competition by Messrs. Long and Wyatt, Presidents, respectively, of the C.E.I. and Guards.

The following prizes, won at billiards, were also presented to the winners:—

Jr. Championship—J. Tolson Smith. Handicap Tournament—C. Morris. (1st); W. Seymour (2nd). Highest break in Challenge Tournament—J. Edwards.

Speeches were made and old time songs and choruses were sung. The institute was proposed by T. Hallett and responded to by Geo. W. LeMesurier, who was reminiscent of the early days of the Institute. Speeches were also made by Messrs. G. T. Phillips, W. Gaulton and J. A. Gould. A special vote of thanks was given Mr. J. Fox who accompanied the singing at the piano. After the singing of the National Anthem, games were played, until closing time.

Prince's Orchestra, Phone 890—W. J. DARCY.—may2,121

CASINO

MONDAY, TUESDAY
and WEDNESDAY
CURTAIN: 8.30 SHARP.

A HOST
OF NEW
VAUDEVILLE ACTS.
A great Play with new faces
make this an outstanding
triumph!

L. E. PERRIN.
"A
14-KARAT
ATTRACTION."

A PLAY EVERY FATHER SHOULD SEE—EVERY MOTHER WILL SEE—EVERY CHILD WILL ENJOY TO SEE. A STORY OF A DIFFERENT NATURE—FULL OF THRILLS—LAUGHS—COMEDY AND DRAMA—WITH AN UNUSUAL LOVE STORY

L. E. PERRIN Presents
Arlie Marks Players
IN THE 1924 PRODUCTION OF PHENOMENAL SUCCESS
"A Good For Nothing Husband"

A Play you cannot afford to miss. Brimful of interest.
SEATS SELLING AT HUTTON'S MUSIC STORE.
THURSDAY—The tried and proven Success—"THE BLACK FLAG." A Powerful Melodramatic Success!

DON'T MISS
**WEDNESDAY
MATINEE**
Special Attractions for the Children.
Prices:
Reserved (Adults)50c.
(Children)20c.
Unreserved (Children)15c.
Balcony (Adults)25c.
(Children)15c.



ARLIE MARKS.
"A SHOW OF SUPERIOR QUALITY."



Little Jack Rabbit by David Cory

Was Little Jack Rabbit's May Day Party a great success? Well, I just guess it was. The Big Brown Bear early in the morning, almost as soon as Mr. Merry Sun was awake, had set up the May Pole, from the top of which the lovely colored ribbons drooped like the branches on the Weeping Willow Tree. As soon as all the little furry and feathered coted people had arrived they danced around it, each holding onto a ribbon. Such a pretty sight. I wish you could have been there, Little Readers.

First, Lady Love was asked to choose a ribbon. Taking a pink one in her paw she waited while Henny Jenny picked out a blue one. Then Little Miss Mousie selected a lovely gray one, and Mrs. Squirrel Nutcracker a yellow. Granddaddy Bullfrog liked a red one, and Mrs. Oriole a purple. And so it went, until every one was ready to dance. Then Professor Jim Crow tuned in on the radio and dance music began.

strong supporting cast, and all give exceptionally good accounts of themselves.

Genuine
BAYER
ASPIRIN
Say "Bayer" - Insist!

Unless you see the "Bayer Cross" on tablets you are not getting the genuine Bayer product proved safe by millions and prescribed by physicians for 25 years.

Safe. Accept only a Bayer package

which contains proven directions. Handy "Bayer" boxes of 12 tablets. Also bottles of 24 and 100—Druggists.

UNIQUE BANQUET.—The Father & Son Banquet, to be held at Canon Wood Hall, on Thursday evening next, promises to be an enjoyable affair. A splendid programme has been arranged.

Shout it out North and South. East and West are doing their best for the United Schools Campaign Fund.—may4,61

The profit on Sunlight Soap may be small, but it always pays for its keep. It is on the other Soap, that a Shopkeeper loses money.

Sunlight Soap means small profits, but it sells like hot cakes.

You can sell 5 tablets of Sunlight at 1 cent profit per tablet, while your competitor is trying to sell 1 Cake of interior soap at 4 cents profit.

may5,31.eod

Hats! Hats! Hats!
And more Hats! We take care of your topmost necessities. Don't let Easter pass you by without looking over our fine line of Men's Hats. Absolutely the latest and most authoritative styles. J. J. STRANG, Water and Prescott Streets.—apr7.eod,ft

RICHARD HUDNUT
THREE FLOWERS FACE POWDER
The Face Powder that is Different Having the Particularly Desirable Quality of Adhesiveness and Perfumed with the Electric and Appealing odor of Three Flowers in All Popular Shades

PARKER & MONROE, Ltd.

"EXCEL"

RUBBER BOOTS for MEN AND BOYS.
Double Wear in each Pair.



Fishermen, Farmers, Lumbermen and all out-door workers use EXCEL RUBBER BOOTS throughout the whole country.

THERE IS A REASON.

EXCEL RUBBER BOOTS do not chafe, wrinkle or crack, being scientifically moulded at the heel and instep to prevent slipping.

EXCEL RUBBER BOOTS have tire tread soles, snag proof vamps, re-inforced legs and tops. Moisture-proof linings and insoles, making them cool and comfortable.

EXCEL RUBBER BOOTS are the only Rubber Boots in Newfoundland to-day "Made all in one piece" by a special vacuum process which makes them light in weight, soft and pliable, and are moulded on Foot Form Lasts to conform to the natural shape of the foot.

SPECIAL PRICES to DEALERS. Sold by all reliable dealers from coast to coast. WRITE FOR TERMS & PRICE LIST.

PARKER & MONROE, Ltd.
Sole Agents for Newfoundland

"Now come and have a feast," shouted dear Uncle Lucky, who, on account of the rheumatism in his left hind leg, had not danced even once. But he didn't care, No siree. He was so happy to see his bunny nephew was enjoying himself. And Little Jack Rabbit certainly did. He first had danced with the little folks, but when the kind Policeman Dog had said:

"Come, choose a ribbon, little rabbit. You must keep up your dancing habit."

the bunny boy had picked out a bright green one and danced with all the big

people. He wasn't afraid of being stepped on. No, indeed. He was too nimble on his toes.

By and by, when Mr. Merry Sun was sinking behind the Western hills, the Old Dog Driver shouted:

"All aboard. The party's done; We must get home. We've had our fun."

"Honk, honk!" went the horn on the Lucky mobile as the dear old Gentleman rabbit made ready to leave. "Giddy up!" cried the Old Dog Driver and waved pranced the billy goats, and by and by everyone was safe at home.

"What a lovely time we had," cried the little rabbit, cuddling up to Lady Love as the Cuckoo Bird sang softly:

"Time for bed
You sleepy head."

Not a Greenspond Man

We are given to understand that Benjamin Carter, who is being held in Detroit on a charge of murder, owing to his having shot a neighbour named Cockfield, was not a resident of Greenspond, but of Wesleyville.

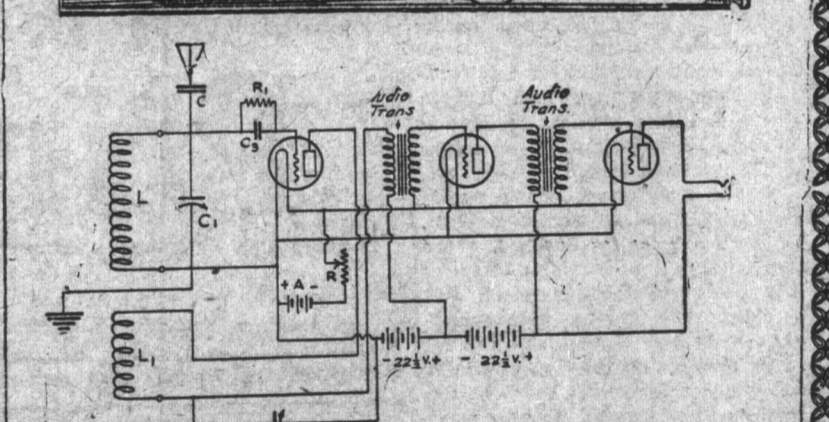
HER NERVES BETTER NOW

Received Much Benefit by Taking Lydia E. Pinkham's Vegetable Compound

Chatham, Ont.—"I started to get weak after my second child was born, and kept on getting worse until I could not do my own housework, and was so bad with my nerves that I was afraid to stay alone at any time. I had a girl working for me a whole year before I was able to do my washing again. Through a friend I learned of Lydia E. Pinkham's Vegetable Compound and took four bottles of it. I gave birth to a baby boy the 4th day of September, 1922. I am still doing my own work and washing. Of course, I don't feel well every day because I don't get my rest as the baby is so cross. But when I get my rest I feel fine. I am still taking the Vegetable Compound and am going to keep on with it until cured. My nerves are a lot better since taking it. I can stay alone day or night and not be the least frightened. You can use this letter as a testimonial and I will answer letters from women asking about the Vegetable Compound."—Mrs. CHAS. CROSOV, 27 Forsythe St., Chatham, Ont.

Mrs. Carson is willing to write to anyone suffering from female troubles.

Current Radio



Navy Test Receiver redesigned for Broadcast Work

EDITED BY JOHN M. CLAYTON.

The schematic diagram of the short-wave receiver is shown in our diagram above. Persons familiar with circuits will notice two unusual things in this one. First, you will note that no primary coil is used. The antenna is coupled directly to the grid of the detector tube through the very small capacity in the condenser C. For short-wave reception (150 meters down to 20 meters) this method of coupling the antenna is perfectly satisfactory. It is used to a great extent in many of the broadcasting stations.

The second unusual thing is the regeneration control. We don't believe the "bottle control" method of controlling regeneration in a broadcast receiver has been shown before. This scheme is in use in a number of amateur receivers and works equally as good on broadcast waves as it does on amateur waves below 200 meters. It is nothing but a variable by-pass condenser across one side of the audio transformer and the minus of the B battery.

When set up, the coils L and LL will probably be about 1/2 inch apart. This distance will vary initially but when the correct coupling is found smooth regeneration will be had by means of condenser C2. Due to the Copyright, 1925, by The American Radio Relay League, Inc.

Appreciation
DUT, ESQ.
Director and Building
Director.—We the
members of the New
foundland Hospital Assn.
that you are so
generous to resume
your work which
will be a great
benefit to the town.
We are sure that
also for the comfort
of the building of
the hospital, and
situated on the
hillside, and
the of the brave
of the District who
lives in the
traced with much
of the
planning to the
and knowing
and dis
you have to contin
that the price
any other leader
leaving you with
with which to en
experienced workm
because of this, we
to train work
do much of the
that no work
been accomplish
of such work
work ever before
of its build
erial Hospital of
now that the
equipped and
with us, must view
of pride and
which you have
has ever given
This pleasure me
any obstacles w
me, and also from
completion of this
possible for ma
otherwise have
reference, and per
get immediate
like to add a wo
the valuable m
in the early days
by your son
splendid work
If, who so ably
construction, and
mastering of the
work, (if we are
which could not
re that you and
remembered in
did work which
and we pray
Builder of the
re you, your Go
unity, for many
continue to do a
work as that of
otre Dame Bay
Parsons, M.D. A
Francis Robert
Robert Primmer
and, Edwin Hay
and, M.D. Edwar
ter, Martin Phill
ward White, J.
oberts, A. G. Gil
fresh
Ex S.S.
arning and
oir's Fre
oir's Fre
Pots and
Marble, S
ex S.S.
licious C
suitable fo
cooking
"Greenin
oked S
a small s
25c. lb.
Fresh
C. P
No. 123 &

Appreciation
 The following is a list of the subscribers to the funds to build the Warehouse in connection with the Notre Dame Bay Memorial Hospital. The name of each subscriber is carved in stone on the side of the building:—
 Sir Wm. L. Allard, Lady Allard, Arthur Stockley, C. L. Blackmore, Louisa, Ashbourne, Fred. S. Green, Annie E. Newman, Jacob Moore, F. J. Hess, Mary J. King, J. A. S. Peyton, Lillian Glavin, Margaret Glavin, Florence Clothier, Dixie Cook, Neville Cook, Arch. Warren, Netta Warren, Laura McCus, Dr. Wood, Mrs. A. J. Wood, Walter B. B. Wood, Rev. D. R. Bailey, Mrs. D. R. Bailey, Agnes Bailey, Blanche Blandford, Aggie Blandford, Kate Blandford, Isabella Stockless, Helen Gillett, Maggie Young, Frank Linnfield, Muriel P. Young, H. W. Rideout, Leslie Randall, Elizabeth Page, Captain P. Lewis, Robert Boyd, Alma Boyd, Sidney Boyd, Talcott Parsons, Harry A. Rideout, Edward Smith, Mrs. E. Smith, Ada Smith, Sara S. Cummings, Ada Powell, Florence Archibald, Charlotte Wood, Clair Garrison, Mary Coggeshall, Violetta Jones, Florence E. Young, Rev. Theodore A. Green, Edward Young, Mrs. E. Young, Vincent T. Young, Ernest E. Young, Mary E. Y. Young, Allan E. E. Young, W. Samuel Yerge, Lucy White, E. L. Linnfield, Shias Facey, Dr. C. E. Parsons, Roland Churchill, Stephen Young, Mrs. Stephen Guy, Mr. Stephen Guy, Pierce Blackmore, Mrs. P. Blackmore, Miss A. E. Nichols, Dr. R. R. Rafter, E. J. White, Frank Stuckless, Thomas Hicks, Pearce Young, Sgt. Norman Pardy, Wallace Manuel, Marie C. Tulk, William Pond, Mrs. R. D. Hodge, Miss Mabel Hodge, C. L. Hodge, A. H. Hodge, Rev. J. Winsor, Adj. Canning, S.A., Dolph. Yates, Carretta Williams, C. White, Mrs. C. White, M. Minty, Geo. Blandford, A. G. Ashbourne, Thomas Ashbourne, M.H. A. Harry Ashbourne, Billy Ashbourne, Edna Ashbourne, Mrs. E. A. Hodder, Ernest Hodder, Mr. Justice Kent, W. J. Carroll, S. Butler, J. Cahill, R. A. Parsons, C. J. Fox, Claris Forsey, Captain A. G. S. Goodfellow, Capt. A. E. Johnson, Helen Williams, A. E. Brown, Gwendolyn Lilly, R. W. Manuel, Elia A. Manuel, Louise Manuel, Mrs. R. E. Manuel, Winnie J. Jones, A. B. Scourfour, Herbert Manuel, Alton B. Vaters, Eva M. Freahe, Augustus Young, Belle Young, Dorcas Clark, Edward Young, B. Smith, Marjorie Roberts, Arthur Colbourne, C. I. Colbourne, Joyce Colbourne, Harold Colbourne, Wilfred T. Grenfell, M.D., John Minty, Maria A. Minty, Phoebe Minty, Mary A. Blackler, Peter Gimes, Max. T. Manuel, Wilson Manuel, Arthur Manuel, Frank Manuel, Edith M. Manuel, John M. Manuel, Mrs. Louisa Mitchell, Edward Roberts, Mrs. E. Roberts, Edwin Hayward, Mr. Brian, Mr. Hayward, Rita Hartnett, Allan Rideout, William M. Hawkins, Ernest Pardy, Herbert J. Pardy, Mrs. Fred. Linnfield, Mrs. J. W. Roberts, Lloyd Harbin, Eno Linnfield, Mrs. E. Linnfield, Edward Linnfield, W. T. Hicks, L. Bray, Horatio Cole, R. T. Mercer, J. S. Foster, Ralph Rowsell, Mrs. M. J. Scott Guy Simms, Blanche Roberts, Mag. M. J. Scott (Curling), Herbert Locke, Abner Young, Bessie L. Hicks, Violet Hicks, Mary W. Mercer, Meta W. Elliott, Grace E. Par-

ker, Harriette Janson, Allison Lovelidge, Bertie Lovelidge, A. W. Brett, Sophia Brett, Netta M. Brett, Mabel F. Brett, Oliver S. Yates, Maude Yates, Harvey Freeman (Jr.), Mrs. Harvey Freeman, Geo. Newman, Mrs. Geo. Newman, Willie M. Newman, Alfred J. Colbourne, Mr. John Roberts, Change Lids, Mrs. John Roberts, C. W. Fleming, Violet Mills, Lillian M. Lambert, Annie M. Anster, J. A. R. Spencer, J. E. Brown (Jr.), Lawson A. Carter (Jr.), J. A. Woodcock (Jr.), Sally Williams, Louisa Moore, Mrs. H. F. Perry, Mrs. Titus Perry, Mrs. Mark Snow (Jr.), Faith Mercer, Loomis Patrick, Raymond D. Young, Ruby J. Young, Miss Rachel Young, Gordon Randall, Fred Facey, Edwin Facey, A. R. Rideout, Herbert Young, Peter Reid, Mrs. Peter Reid, Jack Pippy, H. C. Roberts, Mrs. H. C. Roberts, Fredrick Roberts, Capt. Frank Roberts, Capt. J. Gillett, Geo. Gillett, E. G. F. Gillett, C. W. Gillett, Mrs. A. J. Gillett, James Primmer, Heber Primmer, Capt. D. Weller, Allen Freeman, Lorene Warner, Margaret Clark, Benj. Roberts, William Roberts, Rev. J. B. Wilkinson, Alfred Manuel, A. Simms, Dr. C. C. McCoy, Dr. L. T. Webster, R. H. Curtis, W. P. Graves, K. B. Harding, W. G. Saltonstall, J. N. Robinson, A. Donald, Miss R. E. Herold, Miss M. W. Lynch, C. Fields, S. Babstock, Steward Roberts, Kathleen J. Roberts, LeRoy B. Mitchell, Alpha Buse, Ruth Crawfurd, Phillip S. Platt, Miss Nell Carrington, Miss T. J. Cramm, Cyril J. White, Beulah N. White, Willie M. Fardy, Boyce P. Pardy, Mr. F. Davis, Marjorie Davis, Paul Moores, Mrs. P. Moores, Donald P. Moores, R. C. Moores, Rev. R. White, Mrs. Laura C. Hodder, Clifford J. Hodder, John Hoder, Helen Williams, J. Murray Steel, Jr., Alvin F. Coburn, J. W. Verge, Thomas H. Foerich, Muriel Foerich, Mrs. Solomon Roberts, Charles F. Neergaard, William Adams Delano, Col. Arthur F. Cosby.

Zane Grey's
THE CALL OF THE CANYON
 Richard Dix
 Louis Wilson
 Marjorie Day

Paramount Picture

Majestic To-Day.
CRAWFORD ADAMS
 Has appeared with the great Tetrizzini, sharing honors equally. Has played over 1000 different request numbers. Has filled more return-date engagements than any artist on our list. Has, during the past ten years, received 100 p.c. success reports. Has filled over 600 engagements with Women's Clubs. Has played 3,201 engagements in ten years; travelled over 300,000 miles and missed only two engagements and those occasioned by railroad accidents. Has used in advertising 167,000 window cards and 3,165,000 circulars. He is devoting a limited time to composing as well as concertizing. He's a genius—the most unique artist on the platform. He has attracted the attention of the great musical critics of the country who have devoted columns to his work. He pleases the ultra musical and charms the masses. He is among the violinists what Paul Whiteman is to the orchestral world. He is truly the "WIZARD OF THE VIOLIN."

THE MAJESTIC'S MUSICAL MARVELS—HEAR THEM!
ADAMS AND CHENY
 In the following Programme:
 1.—Finale to Wm. Tell, Overture.
 2.—Popular Medley.
 3.—Medley (Piano).
 4.—Popular Airs—Late.
 5.—Baritone Solo and other numbers.

Crawford Adams
 Violinist
Louis Cheney
 Pianist-Baritone

ADMISSION : : THIRTY CENTS
 MATINEES WEDNESDAY AND SATURDAY.

...like to add a word of appreciation to the valuable assistance given by the early days of construction by your son Ted, and the splendid work done by all who so ably assisted in the construction, and especially the building of the Hospital, (if we are competent to do so) which could not have been done without your help. We remember in this town the work which you have done, and we pray that the Builder of the Universe will bless you, your Good Lady, and all your family, for many years, so that you may continue to do such good work as that of the building of the Notre Dame Bay Memorial Hospital.

German fishing crews are equivalent to only a quarter of what British fishermen receive. A programme has been begun at Hull for 30 new trawlers, half of which are now in commission at a cost of £500,000. In Hull alone 50,000 people are depending on the industry.

CONFEDERATION LIFE.
 apr21,3mos,eod

Mother: "What's the matter, Dick?"
 Dick (sorrowfully): "I ran away from school to-day and I have only just remembered that it was a holiday anyway."

SIDE TALKS.
 By Ruth Cameron.

NOT SO DIFFERENT.
 Is there anything more absurd in this country of fairs classes, than the assumption that people in a k e; that there is an essential difference between those who serve in another, and those who are served? I spoke one day to a fellow guest at a hotel about what a charming looking girl one of the waitresses was. "Yes, she is rather pretty," she admitted, "but, of course, she is common looking." I didn't question that "of course," not because I agreed, but because I realized it would be perfectly useless. One could tell by the tone of her voice, and the phrase itself that one might as well attack Gibraltar with a pea-sooter, as try to disturb her notions on that subject. Neither Would Have Looked Out of Place. Yet I did not think the girl common looking at all, and that night as I sat in the dining room, I mentally visioned that guest and the waitress, each in the other's place. And I felt quite sure that the waitress, dressed in the guest's clothes would have made a very suitable guest, and that the guest dressed in the waitress's uniform would not have looked in the least out of place waiting on table. In fact as I looked round the room (it was an Inn at which there was a very fine class of table girls) and tried to picture all the guests and all the waitresses dressed in each other's clothes, I did not seem to feel that there would be any startling incongruity if the change were made. Only Not So Well Dressed. As you stand at a counter in some first class shop some time, try to picture the people in front of the counter, behind it, and those behind, in front, I am sure there would be nothing startling about that except that the customers would hardly be as smartly dressed as the clerks they displaced, for I do not know of any class of people that are more smartly and becomingly and tastefully dressed than the women clerks in the better class shops. A rather amusing little incident happened at the same hotel of which I spoke. The waitresses used to go swimming in the lake every morning. One day a crowd of college girls arrived at the hotel at just about the waitress's swimming hour. They hurried into their bathing suits and rushed to join the other group of

I am talking about the average in both classes. And as for the difference under the skin—I well I suspect that that is a great deal less marked than many people like to think it.

BEAUTIFY IT WITH "DIAMOND DYES"
 Perfect home dyeing and tinting is guaranteed with Diamond Dyes. Just dip in cold water to tint soft, delicate shades, or boil to dye rich, permanent colors. Each 15-cent package contains directions so simple any woman can dye or tint lingerie, silks, ribbons, skirts, waists, dresses, coats, stockings, sweaters, draperies, coverings, hangings, everything new. Buy "Diamond Dyes"—no other kind—and tell your druggist whether the material you wish to color is wool or silk, or whether it is linen, cotton, or mixed goods.
CONFEDERATION LIFE.
 apr21,3mos,eod

Fresh HALIBUT
 Ex S.S. "Portia" due this morning and on sale this afternoon

Cakes, 1-lb. Packages.
Cakes, Pots and Slabs, viz.: Rick Fruit, Marble, Sultana, Cherry, Plain, Ex S.S. "Rosalind."
Delicious Cooking Apples, suitable for baking or any other cooking purpose, "Stark" and "Greening" varieties.
Smoked Salmon, a small shipment just received, 25c. lb.
Fresh Lettuce daily.
C. P. EAGAN
 Nos. 123 & 423 Duckworth St. 402 Queen's Road

Opening Announcement!
BIG DISPLAY OF ENGLISH FOOTWEAR.
K's and Barratt's at F. SMALLWOOD'S
 See our Eastern Window for latest styles.
 Start out right by wearing "K'S."

If the Shoe pinches buy K's
 We all like our old shoes, they are comfortable friends of long standing. But K shoes are comfortable from the day you buy them. They are so well cut, so well built, and are made in such variety of lengths and widths, that any one, woman or man, who goes to a K Agent can be fitted perfectly, and, walking in K's, will walk in comfort.

German Fishing Invasion
A BRITISH INDUSTRY THREATENED.
 It is proposed to raise the question of the German invasion of British fishing ports when the motion of Mr. G. J. C. Harrison (Con. Bodmin), calling attention to the present condition of the fishing industry in Great Britain, comes before Parliament when it meets on April 29. Mr. W. Thrall, secretary of the Hull Fishing Vessel Owners Association, has prepared a statement for his association and the Hull Fish Merchants Association, copies of which will be sent to M.P.s for fishing ports. The statement says that the British fishing industry, which was the pioneer of trawling, is menaced by the swamping of its markets by German caught fish. The British fishing industry's prospects of recovery are being jeopardized by threatened unfair competition in the form of possible support by the German Government, cheap ships, and underpaid labor. The wages paid to

Style 7607. The Box Calf & Eton. Illustrated. Leather lined.
 Style 7615. The same Boot in Brown Willow Calf
 Style 3189. The K Shoe. Illustrated. In Brown Willow Calf with broad strap.
 Style 3188. The same Shoe in Box Calf
 Also in Black Glazed, Black Suede and Havana Glazed.

F. Smallwood
 THE HOME OF GOOD SHOES.
 AGENTS FOR K SHOES

Nothing Like These Results A Year Ago or Now
 It is no trick to build a car that will go 65 or 70 miles an hour if it has a power plant big enough to haul a freight train. It's a great achievement to get over 70 miles an hour out of a motor of 3-inch bore and 4 1/2-inch stroke, with gasoline mileage safely above 20 miles per gallon. And that's the wonder of the Chrysler Six—a wonder so different and so superior that Chrysler was forced to build over 32,000 cars to meet the first-year demand. Of course you don't want to drive your Chrysler over 70 miles an hour. In fact you may never go that fast. But there is something you do want that only a speed-ability of 70 miles can give. That something is sure, steady power for steepest hill or deepest sand, a pick-up to flash you out of a traffic tangle, sturdy, dogged pull so you can throttle to five, even two miles an hour, on high without "bucking." That's Chrysler performance in a nutshell. You surely must drive the car. It's the only way you can fully appreciate that it is the best built car you ever rode in. We are always eager to demonstrate the Chrysler.

THE TOURING—\$2,200.00
Marshall's Garage
 WATER STREET WEST
 Showroom: Prescott and Duckworth Streets.
 apr24,1yr,11

"Silvia" May 5th.

175 Crates
New American
CABBAGE
California Oranges
WINESAP APPLES

In Stock:
EGYPTIAN ONIONS
 in bags at a low Price
ISLAND POTATOES
 90-lb bags

WHOLESALE ONLY

GEO. NEAL
 Limited.
 Beck's Cove Phone 264 Water St. East Phone 17

Just Received
 A FRESH SHIPMENT OF
Marven's
White Lily Cake
and Biscuits

THEY SATISFY.

For every occasion there's a White Lily Biscuit to suit.

When placing your next order with your grocer, don't forget **WHITE LILY.**

J. J. Rossiter
 Telephones: 549-2094 Duckworth St. St. John's.

New Cabbage,
Apples, Oranges,
etc.

LANDING TO-DAY
 ex S.S. "Digby" from Liverpool:
FANCY VALENCIA ORANGES—300's.
SILVERPEEL EGYPTIAN ONIONS—
 112 Pound Sacks
AND DUE MONDAY
 ex S.S. "Silvia" from New York:
NEW FLORIDA CABBAGE—
 Crates, about 100 lbs. each.
EXTRA FANCY WINESAP APPLES—
 Boxes, 188 Count.
CALIFORNIA NAVAL ORANGES—216's
LOWEST PRICES.

F. McNamara
 'Phone 393. Queen St.

Nfld. Government Railways

FREIGHT NOTICE—BONAVISTA BAY (NORTH SIDE).
 Freight for following ports on above route, accepted at Freight Shed, Thursday, May 7th, from 9 a.m. to 5 p.m.
 Charlottetown, Happy Adventure, Salrage, port, Squid Tickle, Glovertown, Flat Island, Goose Island, St. Brendan's, Bragg's Island, Deer Burnt Island Tickle, Fair Island, Greenspond, Island, Safe Hr., Valleyfield, Wesleyville.

FREIGHT NOTICE—PLACENTIA BAY.
 Until further notice, freight for ports in Placentia Bay accepted as follows:
 Merasheen Route (Bay Run)
 Presque Route (West Run)

NORTHERN STEAMSHIP SERVICE—S.S. PROSPERO.
 Freight for ports of call on above route (previously advertised) accepted at Dock Shed, Thursday, May 7th, from 9 a.m. to 5 p.m.

NOTRE DAME BAY.
 Freight for undermentioned ports of call on above route, accepted at Freight Shed, Wednesday, May 6th, from 9 a.m. to 5 p.m.
 Campbellton, Newstead, Summerford, Esplanade, Moreton's Hr., Tizzard's Hr., Twillingate, St. John's, Change Islands, Fogo, Joe Batt's Arm, Wood, Boyd's Cove, Beaver Cove.

GREEN BAY.
 Freight for ports of call on above route (previously advertised), accepted Thursdays.

Nfld. Government Railways

WALLSEND COAL!
 NOW LANDING.
 THE BEST YOU CAN POSSIBLY BUY.
W. H. HYNES.

WE HAVE JUST RECEIVED A LARGE AND BEAUTIFUL SELECTION OF

Baby Carriages

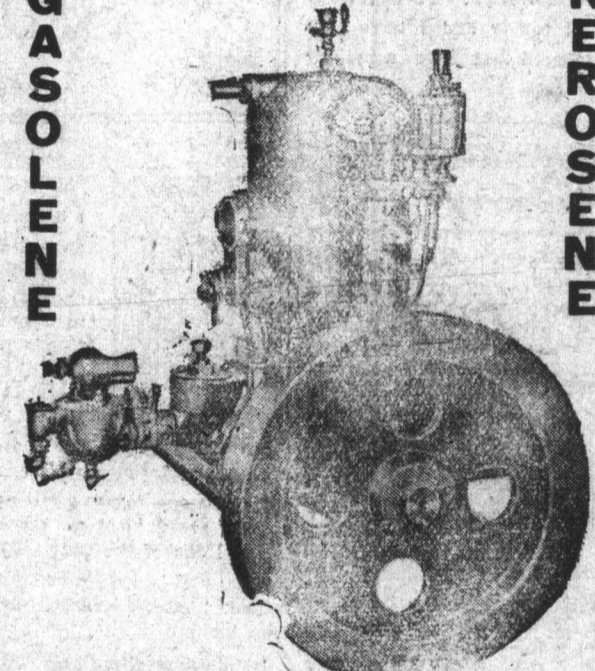


Let your baby be as happy as a lark, cosy and snug, smiling up at you from the soft comforts of our Beautiful Carriages.

POPE'S Furniture Show Rooms
 Wholesale & Retail
 WALDEGRAVE AND GEORGE STS., ST. JOHN'S.
 apr18.eod.ty

ACADIA ENGINES!

GASOLINE **KEROSENE**



ALWAYS DEPENDABLE.
 We carry a large assortment of Engine Accessories, also Schooners' Heaving and Hoisting equipment, Circular Saws, Rubber Belting, Batteries, Grease, Acadia Lubricating Oil, Hand and Power Pumps.

Acadia Gas Engines, Limited.
 ST. JOHN'S.
 feb28.m.eod

DULEY'S
 for
ELECTRIC TABLE LAMPS
 and
STANDARD READING LAMPS.

We have just received a selection of Electric Lamps, mahogany stands with beautiful silk shades, 12" 18" 22" in width. They are really the finest we have ever had the pleasure of offering to our patrons—particularly our

"STANDARD READING LAMP"
 Attractive wooden stand 60" high with a 22" shade of wonderful design.
PRICE ONLY \$35.00.

We invite inspection of these Lamps as we feel sure you will find one suitable for your home.

T. J. DULEY & CO., Ltd.
 The Reliable Jewellers & Opticians.
 Water Street.
 jan6.tu.f.ty

Canadian National Railways

TORONTO TO—DETROIT CHICAGO.

TRAVEL BY NATIONAL LINES
"INTERNATIONAL LIMITED."
 Leaves Bonaventure Station, Montreal, at 10.00 a.m. Direct connection from Halifax or North Sydney

"OCEAN LIMITED."
 For Fares, Reservations, etc., apply to
R. H. WEBSTER, General Agent.
 may2.eod.tf

YOUR GROCER HAS THEM.

NORWEGIAN SARDINES
 IN PURE VIRGIN OLIVE OIL.
 Queen Maud and Polar X Packed.

THE BEST IN THE WORLD.

Norwegian Products Co.
 (Morris Bldg.)
 DISTRIBUTORS FOR NEWFOUNDLAND.
 apr5.eod.ty

TO THE TRADE!
Local Canned Rabbit.
H. & M. BISHOP
 ST. JOHN'S.
 ap18.eod.tf 'PHONE 617.

Morey's Coal is Good Coal.

dec30.eod.tf

LATEST FICTION!

FIVE PEOPLE—By Marjorie Bowen—A Book of remarkable Psychological insight.
"LA BODEGA" (The Fruit of the Vine)—By Vicente Blasco Ibañez, author of "Blood and Sand."
THE GRAVEN IMAGE—By Margaret Widdemer. A story of family fetichism.
THE CARPENTER OF ORRA—By Patrick Macgill. Throughout the tale runs a vein of love, romance, passion and pity.
A PILGRIMAGE—By John Bojer. A story of a Norwegian girl who is a victim of a cruel betrayal.
NINA—By Susan Ery. A delightfully refreshing book.
HURRICANE WILLIAMS VENGEANCE—By Gordon Young, author of "Wild Blood."
THE LORING MYSTERY—By Jeffery Farnol.
THE RECKLESS LADY—By Sir Philip Gibbs.
QUEEN OF THE DAWN—By H. Rider Haggard.

PRICE \$1.50 EACH.

S. E. GARLAND
 LEADING BOOKSELLER & STATIONER, 177-9 WATER ST.
 eod.tf

New Arrivals!

Remnants, Pound Goods, Crepe, Percalés, Wool Tweed, Striped Flette, Blay Calico, Lingette, etc.

LOWEST PRICES QUOTED.

Avalon Wholesale Dry Goods Company, Limited.
 303 WATER STREET.
 apr7.2m.eod

Local Securities for Sale.

54 Shares Standard Manufacturing Company.
 70 Harbor Grace Boot & Shoe Company.
 35 British Clothing Company.
 50 Archibald Bros. Boot & Shoe Company.
 Particulars on Application.

BERNARD D. PARSONS,
 INVESTMENT BROKER.
 'Phone 1731. 12 Muir Bldg.
 nov15.su.th.tf

TO YOUNG MEN

This is specially addressed to the young men who are following the trend of style especially as regards trousers. If you want the best, the place to get them; we are making and have made recently some splendid examples of English trousers hanging free from the knees, the cuff; with plenty of room at knee and bottom.

John Maund
 TAILOR & CLOTHIER
 St. John's

ADVERTISE IN THE EVENING TELEGRAM

NOTICE!
FOR SALE AT A SACRIFICE
 A Limited Number of
BULLDOG STATIONERY ENGINES & HOISTS
 Ranging from 2½ H.P. to 8 H.P. Both Kerosene and Crude Oil.
 Write for Particulars and Prices to
GEO. M. BARR.
 apr11.12.eod

DUE MONDAY, APRIL 6th, 1925.

100 CRATES NEW GREEN CABBAGE.
 50 CASES ORANGES—216, California.
 50 BOXES APPLES—18's.
 ALSO, DUE APRIL 10th:
 100 BAGS ONIONS.
 80 CASES ORANGES—Valencia, 300.

BURT & LAWRENCE
 14 NEW GOWER STREET.

TEEN I
 WEATHER
 MONTGOMERY, showing
 clearing and
 PER & THOMAS
 46.
 VOLUME X
 CE
 U
 Auction
 THE PERS
 AUCTION
 FOR
 VALUABLE
 at substantially
 grounds, occup
 situate on
 (immediately
 (a), containing
 Floor—Large
 rooms, den, kitc
 ous hall.
 Floor—4 be
 and bathroom
 Floor—4 bed
 sement is con
 naining kitchen,
 r.
 is one of the
 class in the co
 pared in its co
 ern convenience
 electric light, e
 one of the fine
 Are offering
 for quick sale.
 P. C. O'Dri
 6.61.eod
 POP
 DOW
 AN
 EDWA
 AUCTION
 AUCT
 At 11
 Monday an
 May 11th
 At the Res
 E. G. Gittle
 72 LeMarch
 Hart Household F
 Mahogany Piano, B
 Suite, Dainty M
 Oak Furniture,
 ouse open for ins
 n. Saturday, Ma
 9.81
 DOWDEN &
 AUCT
 MOTOR
 at the West End
 480 Water
 We will sell by
 on Thursday
 at 12 o'
 ne Hudson Sup
 wood running on
 omite Gasolator,
 and new battery,
 and spare and rin
 before sale.
 Joseph F
 4.0
 FOR S
 At Corner Bro
 Single Story Buil
 ousement. This in
 opportunity to sec
 ous stand. For
 ars apply by let
 this office.
 HOUSES FO
 AND
 MONEY TO
 Houses from \$3
 0.00 Situate ab
 y. Cash or ter
 Leans on Me
 0.00 upwards
 erty. Current
 FRED J. RO