

TO ALL WOMEN WHO ARE ILL

This Woman Recommends Lydia E. Pinkham's Vegetable Compound—Her Personal Experience.

McLean, Neb.—"I want to recommend Lydia E. Pinkham's Vegetable Compound to all women who suffer from any functional disturbance, as it has done me more good than all the doctor's medicine. Since taking it I have a fine healthy baby girl and have gained in health and strength. My husband and I both praise your medicine to all suffering women."

This famous root and herb remedy, Lydia E. Pinkham's Vegetable Compound, has been restoring women of America to health for more than forty years and it will well pay any woman who suffers from displacements, inflammation, ulceration, irregularities, backache, headaches, nervousness or "the blues" to give this successful remedy a trial.

For special suggestions in regard to your ailment write Lydia E. Pinkham Medicine Co., Lynn, Mass. The result of its long experience is at your service.

Guide-Advocate
Watford, Ont.
PUBLISHED EVERY FRIDAY
Subscription \$1.50 per annum in advance. \$2.00 a year in advance to the United States.
ADVERTISING RATES.
YEARLY CONTRACT
Three inches 8 cents per inch.
Two inches 6 cents per inch.
One inch 4 cents per inch.
Shorter lengths 12 cents per running inch.
Advertisers will be allowed a change of matter every two weeks. Weekly changes can be had at a slight extra cost. Copy of change must be in printer's hands by Tuesday noon.
LOCAL ADVERTISING — 1st insertion per line, 10 cents, subsequent insertions 5 cents each time per line. Argate measure 14 lines to the inch.
BUSINESS CARDS — One inch and under, per year \$5.00.
ADVERTISING CARDS — \$5.00 a year.
LOCALS — 10c per line each insertion. Minimum charge 25 cents.
Advertisements without specific directions will be inserted till forbid and charged accordingly.
W. C. AYLESWORTH, Publisher.
T. HARRIS, Editor.

Guide-Advocate

NOTE AND COMMENT

The American Women's club in London carries on all kinds of philanthropy, not only among the American women there, but people from all countries.
There is one thing of which the Canadian newspapers cannot be accused, and that is of being the recipients of blood money during the war. The newspapers did much during the war and made nothing.

The Dominion is now paying \$12,000,000 a month to soldiers and their dependents, and it is the belief of Major-General J. G. Langton, paymaster of the Canadian army, that the total will grow to \$150,000,000 in the current year.

Brantford Expositor:— Britain's position as financial centre of the world has been shaken in spite of her huge war bill. The "shopkeepers of England," are quite able to meet their bills and then find a reserve in their stockings or elsewhere. As in Napoleon's day, so in the great war. Lloyd George's "silver bullets" has much to do with the result.

Catarrh Cannot Be Cured
with LOCAL APPLICATIONS, as they cannot reach the seat of the disease. Catarrh is a local disease, greatly influenced by constitutional conditions, and in order to cure it you must take an internal remedy. Hall's Catarrh Medicine is taken internally and acts through the blood on the mucous surfaces of the system. Hall's Catarrh Medicine was prescribed by one of the best physicians in the country for years. It is composed of some of the best tonics known, combined with some of the best blood purifiers. The perfect combination of the ingredients in Hall's Catarrh Medicine is what produces such wonderful results in catarrhal conditions. Send for testimonials, free.
F. J. CHENNY & CO., Props., Toledo, O.
All Druggists, 75c.
Hall's Family Pills for constipation.

Former Russian Leaders, With But Few Exceptions, Killed by Revolutionists

HERE are the men whom we considered the greatest of living Russians two or three years ago? Nobody knows. When we ever hear their names nowadays it is in reports of their deaths, or later in denials that they have been assassinated. Hardly a single Russian who was prominent in the war is known definitely to be living and taking any part in public affairs. Despite conflicting reports the Czar is probably dead. With the Czar has disappeared most of the Grand Dukes, a dozen or more of them. They have been murdered if discovered by the Bolsheviks, and if they are not dead they are in hiding or making their way painfully in the direction of some neutral country. Their estates have been confiscated; their wealth either seized by the alleged Government or distributed by the mob. Grand Duke Michael, brother of the late Czar, is said to be in Siberia.
There is a report that the Grand Duke Nicholas, the commander-in-chief of the Russian armies, and considered the greatest military leader developed by the war up to that time, is hiding in Southern Russia.



GEN. BRUSILOFF.

sia. There is probably no Russian who played any considerable part in the war who made such an impression on the outside world as this Grand Duke.
Another able Russian general was Alexiev, formerly chief of staff, who reorganized the armies after the defeat of 1915. He was recently reported in command of some troops opposing the Bolsheviks, in the Don, but his fate is uncertain. Gen. Korniloff, another hero of the war, may be alive. He was reported to have escaped through the Caucasus and Persia and to have joined Gen. Allenby. It is odd, if this report is correct, that there would not have been an official confirmation of it from British headquarters, though it is conceivable that the Government might have sufficient reason for giving no information as to the whereabouts of such an influential leader as Korniloff. Brusiloff, the hero of the Galician victories in 1915, is known to be dead. He was killed in Moscow. Ruzsky, too, is reported to have been assassinated.
Turning now to the civil heads of the nation, it is known that Premier Gollitsyn, who held office before Kerensky seized power, is in hiding with a heavy price upon his head. He will be remembered for his failure to oppose the revolution when it came. His predecessor, Trepoff, is in Stockholm and is supposed to be trying to organize some opposition to the present regime. Little need be expected of him. He was a bureaucrat, but a weakling. Sturmer, whom Trepoff succeeded in office, is dead, and nobody mourns him. He was a traitor, a German by ancestry and a German by inclination, who contributed more than the Czar to the unpopularity of Czarism. He sold out the Russian armies, and tried to lead Russia into a separate peace. He had no more principle than either Lenin or Trotsky. Had the monarchy survived he would have tried to do for Germany what Trotsky and Lenin were able to do after it had been destroyed. Sturmer died in prison.
One of the most despicable of Russians is one of the few who was able to escape from the country. This is Sukhomlinoff, former Minister of War, who betrayed Roumania and tried to deliver a Russian army into the hands of the enemy. He was arrested and put on trial for high treason by the Provisional Government, but when the Bolsheviks threw Kerensky he was released, since he had been a good friend of

Germany's and was permitted to leave the country. Protopopoff, formerly Minister of the Interior, who was an unspeakable tyrant and traitor, died in an asylum. Most of the leaders of the Provisional Government which preceded the Bolsheviks are either dead or fugitives. Prince Lvov is in Paris. Miluakoff is said to be on his way there. Guchkov was assassinated. It is said that military leaders who were distinguished in the war, some of them generals, are supporting themselves by selling matches and shoe laces in Petrograd and Moscow. Notable service in the war against Germany is the most dangerous badge in Russia to-day.

BLACK SIBERIA.

Brief Sketches of Scene in an Asiatic Prison.
Poor lonely lives were lived within the walls of those camps. I know a major whose main occupation became to gather cigarbands; others gave all their attention to stamp collections. Petty things occupied a great place. Another major had his watch still Austrian (time case had been prisoner three years ago), and he told me with delight that he never had changed it. Everything is done with the utmost care, slowly, because there is so much time. Written letters look like printed ones. They are illuminated with red and black ink, with here and there an underlined word. Writing that letter was a relief, hence, it was necessary to spend as much time on it as possible.
Others spent half of the day with their dog, teaching it tricks, so that sometimes dogs became camp famous. And then big differences of opinion would arise because A's dog had had puppies and T had given them to friends, and they were now spoiling the little gardens of other comrades. Hence, the camp would be divided into dog owners and non-dog owners, and the matter would be taken very seriously. Some dogs would disappear mysteriously and the whole affair would be the main topic for months.
Another time it would be pigs instead of dogs which claimed the attention of all. A certain mess decided to raise pigs, which example was soon followed by other messes. Now the difficulties that those pigs brought into the camp were enormous. The camp was very small and one mess had used the space between two tennis-courts for a pen, and another a place near the hospital. At once the doctor and the president of the tennis club protested, so all the pigs were put together in one pen. All went well until the pigs had small ones, and then there came the problem how to divide the spoils between Austrian and Hungarian messes. One proposed in earnest to paint half of them yellow and black (Austrian colors), and the other half red, white, and green (Hungarian colors), so as to keep track of them. The end of it was that the camp commander forbade pigs in camp, and during the next few weeks nothing but pork was eaten.—Scribner.

GERMAN NEWSPAPERS.

First One Was Edited by Cornelius Montekoe, a Hollander.
The first Berlin newspaper was printed in 1661 in the reign of the Elector of Brandenburg. The paper was edited by Cornelius Montekoe, a Hollander, physician to the Elector. Robert Voelker and Elias Locker, booksellers, were privileged to sell the paper. It was a weekly and appeared Sunday morning; the clerks of the booksellers would sell the papers, in winter before, and in summer after church, which was held in the open from May to September. Those of the young men who could not get a seat were allowed to climb in the trees and listen to the sermon. With his wife, Louise, and the children and the household, the Elector went regularly to church. He would, as a rule, remain standing while the Electress and children would occupy seats under the trees. After the closing prayer the newspaper sale commenced at the entrance gate. Rupert Voelker, the first bookseller of Berlin, was allowed to give the Elector a copy. After church the Electress and children would return to the palace, while the Elector would enter a palanquin and be carried to the Lustgarten. There he would read the paper, and then give audience to artists and other learned men.
One Sunday a man was introduced who entertained the Elector (who believed in the appearance of the devil in some form or another) with a story which had happened to a farmer at the Berlin gate.
"At the Berlin gate," he said, "the farmer's horses stopped suddenly. He left his wagon to coax them to go, but coaxing and cursing would not take them a step farther. The farmer turned his head and saw an ugly woman on his wagon, blaspheming God and promising the farmer wealth. Then the farmer said: 'All good spirits,' the woman did not move. The farmer got angry and said: 'Will you ride?' Then ride in Jesus' name,' and the woman, the devil, vanished from the wagon."
The Elector was greatly interested in the story and ordered the physician-editor to have the story published in the next issue of the paper as a lesson to others, not to be tempted by riches. Current news was not allowed to be published, court functions and fables would find more favor with the Berliners. A bookseller from Leipzig came to Berlin to publish another paper, which was promptly forbidden by the Elector, who considered one newspaper sufficient for Berlin.

Society Printing

is just one of our side lines—but we are proud of the reputation we have built up in turning out work of the very finest quality.

- WEDDING INVITATIONS
- ONCEMENTS
- VISITING CARDS

May we do your printing?
Guide-Advocate

PRINTING

- Counter Check Books
 - Letter Heads
 - Envelopes
 - Statements
 - Bill Heads
 - Note Heads
 - Receipts
 - Programmes
 - Circulars
 - Calling Cards
 - Memorial Cards
 - Wedding Invitations
 - Announcements
 - Posters
 - Dodgers
 - Tickets
 - Auction Sale Bills
- "Quality" is our Motto.

1919
FREE
For all gardeners—a combined textbook and catalogue. It tells you everything—Study it before you commence your season's work.
FREE
For all poultry keepers and stock raisers, a book that tells you what to do, what to use, and where to get it. Write for it. Hang it in a handy place—Of infinite value as a ready reference.

Dominion Seeds, Limited
LONDON, CANADA

NEW LINES

SUNSHINE VACUUM CLEANERS.....\$3.75
A Strong Well Built American Machine at a Popular Price.

DUSKIL POLISH MOPS\$1.00
" DRY MOPS\$1.00
A Good Handy Size and Worth More.

DUSKIL POLISHING OIL.....25 and 50c.

WE have just received two crates of White Granite and Gold Line Table Ware — ordered in January 1918. We have a full line of CUPS and SAUCERS — OATMEAL PLATES and FRUIT SAUCERS at last Season's Prices.

THE N. B. HOWDEN EST.

CASTORIA

For Infants and Children
In Use For Over 30 Years
Always bears the Signature of *Chas. H. Tutcher*

ROLL

- Men F and V Th
- 27TH BR
- Thos L Swift, r
- 15th, 1915
- Bury C Binks
- L Gann Newell
- F C N Newell
- All Woodward,
- Sid Welsh
- Blondel
- R W Bailey
- RJA Johnson
- C Manning
- F Phelps H
- E W Smith
- Ward, killed i
- F Wakeln, D C
- T Wakeln, wor
- H Whitsitt
- PRINCERS
- Gerald H Brown
- 187
- CA Barnes
- Edmund Watson
- J Burns
- C Blunt
- S P Shanks
- 2ND DIV
- Loane Lucas
- Chas Potter
- 33R
- Percy Mitchell, C
- Lloyd Howden
- Geo Fountain
- Geor H Pat
- Hospital, Lon
- 34TH
- EC Crohn
- Macklin Hagle,
- Stanley Rogers
- Henry Holmes,
- 1916
- C Jamieson
- 29TH
- Wn Mitchell
- 70TH
- Ernest Lawrenc
- 1918.
- CH Loveday
- SR Whalton, ki
- Thos Meyers
- Vern Brown, kil
- Sid Brown, kil
- 28TH
- Thomas Lamb,
- MOU
- Fred A Taylor
- I
- Wm Macnally
- E
- J Tomlin
- Basil Saunders
- ARMY
- T A Brandon, M
- Norman McKen
- Allen W Edward
- Basil Gault
- 135TH
- Nichol McLachl
- 6th, 1917
- 3RD RESER
- Alfred Leyl
- 116TH
- Clayton O Full
- 18th, 1917
- 196TH
- ER Annett
- 70TH
- R H Trenouth,
- 8th, 1917
- Murray M Forst
- Ambrose Gavign
- 142ND
- Lient. Gerald I.
- on Oct. 16, 19
- Austin Potter
- Russ G Clark
- John J Brown
- 1st Clas
- RO
- Surgeon Freder
- ARMY
- Eglia D Hicks
- Capt. L. V. Jane
- ARMY
- Frank Elliot
- Arthur McKeorch
- Henry Therpe, I
- 58TH
- Roy E Acton, ki
- 64TH
- CF Luckham
- Romo Auld
- 63R
- Walter A Restori
- Clare Fuller
- 67TH
- Edgar Prentis
- 597
- 215TH W Cook
- 207A
- 24TH M R James
- Lieut. Leonard C
- July 1, 1918.
- J. C. Hill, mech
- Lieut. J. B. Tiff
- 15TH DEB
- WESTERN O
- Reginald J Leach
- James Phair
- Russell McCorm
- Leo Dodds
- John Stapleford
- Mel. McCormick
- Tom Dodds
- Wellington Higg
- Lloyd Cook
- J. Richard Willi
- Oct. 11, 1918.

ROLL OF HONOR

Men From Watford and Vicinity Serving The Empire

27TH REGT.—1ST BATTALION
 Theo L. Swift, reported missing since June 15th, 1915
 Richard H. Stapleton
 Bury C. Binks Arthur Owens
 L. Gunn Newell, killed in action
 F. C. N. Newell, E.C.M. T. Ward
 Alf Woodward, killed in action
 Sid Welsh M. Cunningham
 M. Blondel W. Blunt
 R. W. Bailey A. L. Johnston
 R. A. Johnston G. Matthews
 C. Manning W. Glenn Nichol
 F. Phelps H. F. Small
 E. W. Smith C. Toop
 Ward, killed in action C. Ward
 F. Wakelin, D.C.M., killed in action
 T. Wakelin, wounded and missing
 H. Whitlitt B. Hardy

PRINCESS PATRICIA'S C. L. I.
 Gerald H. Brown

18TH BATTALION
 C. A. Barnes Geo. Ferris
 Edmund Watson G. Shanks
 J. Burns F. Burns
 C. Blunt Wm. Antterson
 S. P. Shanks Walter Woolvett

2ND DIVISIONAL CAVALRY
 Lornc Lucas Frank Yerks
 Chas. Potter

33RD BATTALION
 Percy Mitchell, died of wounds Oct. 14, 1916
 Lloyd Howden
 Geo. Fountain killed in action Sept. 16, 1916
 Gordon H. Patterson, died in Victoria Hospital, London

34TH BATTALION
 E. C. Crohn S. Newell
 Macklin Hagle, missing since Oct. 8, 1916
 Stanley Rogers Wm. Manning
 Henry Holmes, killed in action Sept. 27, 1916
 Leonard Lees

29TH BATTERY
 Wm. Mitchell John Howard

70TH BATTALION
 Ernest Lawrence, killed in action, Oct. 1, 1918
 Alfred Emerson
 C. H. Loveday A. Banks
 S. R. Whalton, killed in action Oct., 1916
 Thos. Meyers Jos. M. Wadman
 Vern Brown Alf Bulough
 Sid Brown, killed in action Sept. 15, 1916

28TH BATTALION
 Thomas Lamb, killed in action

MOUNTED RIFLES
 Fred A. Taylor

PIONEERS
 Wm. Macnally W. F. Goodman

ENGINEERS
 J. Totlin
 Basil Saunders Cecil McNaughton

ARMY MEDICAL CORPS
 T. A. Brandon, M.D. W. J. McKenzie, M.D.
 Norman McKenzie Jerrold W. Snell
 Allen W. Edwards Wm. McCausland
 Basil Gault Capt. R. M. Jones

135TH BATTALION
 Nichol McLachlin, killed in action July 6th, 1917

3RD RESERVE BATTERY, C.F.A.
 Alfred Levi

116TH BATTALION
 Clayton O. Fuller, killed in action April 18th, 1917

196TH BATTALION
 R. R. Annett

70TH BATTERY
 R. H. Trenouth, killed in action on May 8th, 1917
 Murray M. Forster V. W. Willoughby
 Ambrose Gavigan

142ND BATTALION
 Lieut. Gerald J. Taylor, killed in action on Oct. 16, 1918
 Austin Potter

GUNNER
 Russ G. Clark

R. N. C. V. R.
 John J. Brown T. A. Gilliland
 1st Class Petty Officers.

ROYAL NAVY
 Surgeon Frederick H. Haskett, Lieut.
 Army Dental Corps
 Elgin D. Hicks H. D. Taylor
 Capt. L. V. Jones

ARMY SERVICE CORPS
 Frank Elliot R. H. Acton
 Arthur McKercher
 Henry Thorpe, Mech. Transport.

98TH BATTALION
 Roy E. Acton, killed in action Nov. 3, 1917

64TH BATTERY
 C. F. Luckham Harold D. Robinson
 Romo Auld Clifford Leigh

63RD BATTERY
 Walter A. Restorick George W. Parker
 Clare Fuller Ed. Gibbs

67TH BATTERY
 Edgar Prentis

69TH BATTERY
 Walter W. Cook

ROYAL CANADIAN MOUNTED RIFLES
 Lieut. M. R. James Cadet D. V. Auld
 Lieut. Leonard Crane, killed in action, July 1, 1918
 J. C. Hill, mechanic
 Lieut. J. B. Tiffin Cadet C. Jones

1ST DEPOT BATTALION
 WESTERN ONTARIO REGIMENT
 Reginald J. Leach Leo R. Palmer
 James Phair Fred Birch
 Russell McCormick John F. Creasey
 Leo Dodds Fred Just
 John Stapleton Geo. Moore
 Mel. McCormick Bert Lucas
 Tom Dodds Alvin Copeland
 Wellington Higgins Herman Cameron
 Lloyd Cook William Blain
 J. Richard Williamson, died of wounds, Oct. 11, 1918.

Petain Ranks With Foch

As Great French General And Also Splendid Patriot

By promoting Petain to the rank already held by Foch and Joffre the French Government has merely performed a duty not to have done which would have been to awaken surprise and even criticism in the whole world. The defender of Verdun unquestionably earned the right to the distinction already bestowed upon the victors of the First and Second Marne. Foch, Joffre and Petain are clearly the pre-eminent French soldiers of this war.

MEN WHO ENLISTED IN 149 BATT. AT WATFORD

- Lieut. W. H. Smyth, Headquarters Ottawa.
 Lieut. R. D. Swift, Scout Officer.
 Lieut. W. A. Williams
 Sergt. W. D. Lamb
 Sergt. M. W. Davies
 Sergt. S. H. Hawkins
 Sergt. E. A. Dods
 Sergt. W. C. McKinnon
 Sergt. Geo. Gibbs
 Sergt. H. Murphy
 Sergt. C. F. Roche
 Corp. W. M. Bruce
 Corp. J. C. Anderson
 Corp. J. Menzies
 Corp. S. E. Dods
 Corp. H. Cooper
 Corp. C. Skillen
 Corp. C. E. Sisson
 L. Corp. A. I. Small
 B. Q. S.—B. C. Culley
 C. Q. S.—C. McCormick
 Pte. Frank Wiley.
 Pte. A. Banks
 Pte. F. Collins
 Pte. A. Dempsey
 Pte. J. R. Garrett
 Pte. H. Jamieson
 Pte. G. Lawrence
 Pte. R. J. Lawrence
 Pte. Charles Lawrence.
 Pte. C. F. Lang
 Pte. W. C. Pearce
 Pte. T. E. Stilwell
 Pte. A. H. Lewis, Band
 Pte. G. A. Parker
 Pte. A. W. Stilwell
 Pte. W. J. Saunders
 Pte. Bert Saunders
 Pte. A. Armond
 Pte. W. C. Aylesworth, Band
 Pte. R. Clark, Bugler
 Pte. S. L. McClung
 Pte. J. McClung
 Pte. C. Atchison
 Pte. H. J. McPeley
 Pte. H. B. Hubbard
 Pte. G. Young
 Pte. D. Bennett
 Pte. F. J. Russell
 Pte. E. Mayes
 Pte. C. Haskett
 Pte. S. Graham
 Pte. W. Palmer
 Pte. H. Thomas
 Pte. F. Thomas
 Pte. B. Trenouth
 Pte. E. A. Shaunessy
 Pte. W. Zavitz
 Pte. W. J. Sayers
 Pte. Lot Nicholls
 Pte. John Lamb
 Pte. Eston Fowler
 Pte. E. Cooper
 Pte. F. A. Conne ly.
 Pte. F. Whitman.
 Pte. Edgar Oke.
 Pte. White.
 Pte. McGarrity.
 Pte. Wilson.
 Pte. Richard Watson, Can. Engineer
 Pte. L. H. Aylesworth, Band.
 Pte. A. C. Williams
 Pte. William Kent
 Pte. Fred Adams

Castellani receives his oustion, an equal claim may be urged for Franchot d'Esperey, whose army defeated that of Bulow at the First Marne and shared in the later long campaigns in France. Subsequently it was d'Esperey who won the recent victory of the Cerna-Vardar in the Orient and smashed Bulgaria and Mittelteuron at a single blow. There remains Mangin — the Ney of the present struggle—who at Verdun and in all the recent battles revealed the spirit of his great Napoleonic predecessor, "the bravest of the brave."

Every company of American soldiers abroad is permitted to adopt one war orphan.
DEMOBILIZATION.
 Men Will Come Home In Increasing Numbers.
 One of the most pressing questions with which the Canadian Ministers have to deal is that of facilitating the return of troops to Canada. The matter is the occasion for continuing the conference with the overseas military staff.

The Canadian Corps is occupying a portion of Germany along the Rhine and the disposition of this force in the main must await peace developments. But in clearing the way for their return the military authorities are carrying out extensive demobilization operations. The extent of this demobilization is only limited by the transportation conditions. Estimates are that 20,000 Canadian soldiers will arrive home in January and thereafter 30,000 per month.

The sources from which these separate drafts are obtained are reserve battalions containing men who have seen service and would be again available for the field were this necessary; non-combatant units and men of Category B or lower.

These demobilization measures are being carried out in conformity with the general plan worked out some time ago. The men go from the various camps to concentration camp at Kenamael Park, North Wales, and are then sent forward to the dispersal depot in Canada nearest their homes, where they are mustered out.



MARSHAL PETAIN.

defence Petain had first to counter attack with the elements that were just beginning to arrive while he created a line of resistance. He had to restore order out of confusion, to recreate confidence, sorely shaken. A situation as critical as that which confronted Foch when he took command last spring confronted Petain in the last days of February, 1916.

All this Petain did. Within a few days his new army could accept his watchword, "They shall not pass," and make it their own. Nothing in French history is finer than the story of Verdun, and Petain was the soul as well as the brain of that epic.

After Verdun the politicians chose a lieutenant of Petain's to replace Joffre, grown old and weary. It was an unhappy choice, and Nivelle's great failure at the Aisne in April and May of 1917 for the moment shook the morale of the French army and the French nation. Once more France turned to Petain, and this time he repeated his Verdun achievement on a vast scale. He reorganized the entire French army. He restored confidence, discipline, he transformed the situation in such fashion that in a few months he was able to win a new victory at Verdun and a shining success at the Aisne in taking Fort Malmaison.

The full fruits of his labors were revealed in the fashion in which the French army was rushed to the rescue of the situation in Picardy last spring, after the defeat of the Fifth British Army and while the Germans threatened to separate the French from the British. A finer feat than that of Foyolle's forces can hardly be recalled in all this war. From that moment onward Petain suffered by the rapid expansion of the reputation of Foch. That the Allied commander-in-chief was the greater soldier will probably be the judgment of history, that he owes much to the loyal and competent aid of Petain is unmistakable. That they worked together in complete harmony at all times is a tribute to the patriotism of each.

It is said that Joffre, Foch and Petain will be the only marshals of France created by this war. If there are additions one may hope to see included the name of Castellani, who saved Nancy and made the Marne victory possible in 1914. And

His Only Wish

"My only wish is that you may hate the Hun as much as I do," declared Capt. H. E. Smith, the repatriated prisoner of war, at the public reception given him on his arrival home in the town of Oshawa recently. Capt. Smith went overseas with the 4th Battalion, C.M.R., 3rd Division, was captured at Zillebeke June 21, 1916, and went through all the horrors to which captured men were subjected. He was two years at different camps in Germany, including eight months at the notorious "strafe" camp at Strohen, Hanover. Capt. Smith was a prominent business man and a member of the Oshawa Town Council when he enlisted.

Katchutegua

The lively controversy still rages in British Columbia as to whether Vancouver Island shall be renamed, and if so what the new name shall be. Inasmuch as the island was known to the Indians long before Captain George Vancouver sighted its mountain tops at Katchutegua, why not call it that? Kat-chu-teg-ua, by the way, may be freely translated as meaning "the plain," and is just about as applicable to Vancouver Island as Maple Creek or Mountain View, Manitoba.

Carrier Pigeons In 1099

According to the poet Tasso, carrier pigeons were employed for the transmission of messages during the siege of Jerusalem in the year 1099.

Twenty Dollars a Day In Alaska

Miners employed in the Alaskan mines receive twenty dollars per day the year round.

Grotesque Relics

The King of Spain possesses an odd collection of relics connected with attempts on his life. A reminder of the very first attempt on his life is the test of a feeding bottle, with which an attempt was made to poison him when he was only eight months old.

Will Grow Hotter

According to an English scientist's theory, if the radium in the interior of the earth equals in quantity that in the surface rocks, the world will grow hotter in time instead of colder.

The female brain begins to decline in weight after the age of thirty; the male not till ten years later.

Now is the Time to secure your Mason & Risch Piano

It is not necessary for us to go into detail to explain the merits of this world famous Piano. You know as well as we do that the Mason & Risch has held the standard in Canada for so many years.

That's why we sell the Mason & Risch — and we're certainly selling them, too!

If you are thinking of a piano come in and see our models—and you will let us put a Mason & Risch in your home.

"The Piano with a Soul"

HARPER BROS. Watford

"Lest We Forget"

Made the Supreme Sacrifice

- WATFORD AND VICINITY
 Lt.-Col. R. G. Kelly
 Capt. Thos. L. Swift
 Sergt.-Major L. G. Newell
 Pte. Alfred Woodward
 Pte. Percy Mitchell
 Pte. R. Ahalton
 Pte. Thos. Lamb
 Pte. J. Ward
 Pte. Sid Brown
 Pte. Gordon Patterson
 Pte. F. Wakelin, D. C. M.
 Pte. T. Wakelin
 Pte. G. M. Fountain
 Pte. H. Holmes
 Pte. C. Stillwell
 Pte. Macklin Hagle
 Sergt. Clayton O. Fuller.
 Gunner Russell Howard Trenouth.
 Pte. Nichol McLachlan.
 Corp. Clarence L. Gibson
 Signaller Roy E. Acton.
 Bandsman A. I. Small
 Capt. Ernest W. Lawrence.
 Lieut. Leonard Crane
 Pte. John Richards
 Lieut. Gerald I. Taylor.
 Pte. Charles Lawrence
 Lieut. Basil J. Roche

Reduced by Asthma. The constant strain of asthma brings the patient to a dreadful state of hopeless exhaustion. Early use should be made of the famous Dr. J. D. Kellogg's Asthma Remedy, which more than any other acts quickly and surely on the air passages and brings blessed help and comfort. No home where Asthma is present in the least degree should be without this great remedy.

Quality Printing

Just one of our side—but we are proud the reputation we built up in turn-out work of the finest quality.

WEDDING INVITATIONS CONCERNMENTS VISITING CARDS

do your printing?

Guide-Advocate

PRINTING

- Letter Heads
- Envelopes
- Statements
- Bill Heads
- Note Heads
- Receipts
- Programmes
- Circulars
- Calling Cards
- Memorial Cards
- Wedding Invitations
- Announcements
- Posters
- Dodgers
- Tickets
- Auction Sale Bills

Quality is our Motto.

1919
 Dominion Seeds
 GARDEN BOOK

WASHING MACHINES

RS.....\$3.75
 Machine
 \$1.00
 \$1.00
 More.
 .25 and 50c.

crates of White — ordered in of CUPS and FRUIT

EN EST.

Tecumseh Chapter I. O. D. E.

RECEIPTS 1918-1919

Balance from 1917-18	\$31 15
Fees	10 06
Cash donations from friends	102 06
members	31 55
Entertainments—	
She Stoops to Conquer	80 70
Sacred Concert	40 52
St. Patrick's Tea	27 20
Patriotic Euchre	51 00
Lecture by Col. Race	4 18
Sugar Social	30 75
Cooking Sale	13 75
The New Servant	385 50
Tag Day	162 73
Shower for Soldiers' Xmas boxes	94 76
Proceeds of Watch donated by Mr. Watt	62 10
Proceeds of Centrepiece donated by Miss Marion Kelly	10 40
Boy Scouts, sale of rubbers	3 15
Thrift Exhibit	160 64
County Council Grant, Thrift Ex.	25 00
Cash value Christmas gifts to Nursing Sisters Reed and Tye and boxes for soldiers by members	46 00
Small accounts	18 25
Total	\$1391 39

EXPENDITURES 1918-1919

Affiliation fees	7 75
Donations—Navy League	15 00
Prisoners of War Fund	25 00
Y.M.C.A. Huts in France	25 00
Yarn	539 15
Expenses of Entertainments—	
She Stoops to Conquer	13 40
Sacred Concert	9 10
St. Patrick's Tea	25 00
Col. Race's Lecture	1 50
Sugar Social	8 85
Play—The New Servant	248 67
Tag Day	2 15
Shower	16 25
Postage on soldiers' overseas boxes	66 34
Walnut Red Cross	33 40
Gifts in boxes sent overseas to soldiers and boxes to Nursing Sisters	198 52
Flowers	7 47
Thrift Ex., prizes & booth expense	136 24
Drawing, express, telephone, extra printing	9 16
Total	1363 20

WORK OF TECUMSEH CHAPTER DURING THE WAR

Collected for Hospital Ship	\$166 50
Cash and goods received from Aug 1914 to Feb. 1916 and expended for patriotic purposes	797 55
Feb. 1916—Feb. 1917	17 00
Receipts for year 1916-17	357 74
Expenditures	301 92
Balance	55 82
Feb. 1917—Feb. 1918	1002 73
Receipts and balance from 1917	971 58
Expenditures	31 15
Balance	1391 39
Feb. 1918—Feb. 1919	1391 39
Receipts	1363 20
Expenditures	28 19
Balance	28 19

Total Money Raised during War \$3716 08
Mrs. James Newell, Treasurer.
Emily A. Adams } Auditors.
Hester McCaw }

CHOP STUFF

The hours of labor in the P. M. railway shops have been cut down to seven hours daily.
Alvinston citizens have organized a "Progressive Association" to formulate plans that will bring new life into the village. The town will likely lose the local canning factory unless something is done to retain that and other industries.
The Daughters of the Empire, of Glencoe, with commendable zeal are taking

a leading part in welcoming the local boys as they arrive home from the front. They have provided suitable streamers to be displayed at different street intersections and will erect a large arch of evergreen at the entrance to the railway yard.

In his report to the Petrolia public school board, Inspector McDougald advised the doing away with all home work, saying this policy had been adopted in Sarnia for a year with such good results that they had readopted it for two years. He said he would assume all the responsibility of its adoption in Petrolia.

In the gathering of maple sap don't make the mistake of using pails that are too small. If you are getting new pails, get two gallon ones. Then your sap is not so apt to run over on the ground before you get there with the tank. Metal pails and tanks are better than buckets and barrels or casks. They are easier to keep clean. Wood soaks up a certain amount of sap which turns sour with age, and tends to spoil the flavor of the new crop. But get out the old sap buckets if you haven't new ones ready. Make the most of the maple sugar season while prices are good.

Ailsa Craig pays J. Priestly \$20 a year to act as truant officer, local option enforcer, dog tax collector, and chimney inspector for part of the Main Street.

Petrolia is now using about 400 horsepower of hydro.

NOTICE TO CREDITORS

In the Estate of James Eli Willoughby late of the Village of Watford in the County of Lambton, Blacksmith; Deceased.

NOTICE is hereby given pursuant to R. S. O. 1914, Chap. 121, Sec. 56, and Amending Acts, that all persons having any claims against the estate of James Eli Willoughby, late of the Village of Watford, in the County of Lambton, deceased, who died on or about the 20th day of December, A. D. 1918, are required to deliver or send to the undersigned a statement and full particulars of their names and addresses and the security, if any, on or before the 1st day of April, A. D. 1919.

AND take notice that after the said last mentioned date the Administratrix will proceed to distribute the estate amongst the parties entitled, having regard only to the claims of which they then shall have notice and the Administratrix will not be liable for the estate of any part thereof to any person or persons of whose claim or claims they shall not then have had notice at the time of such distribution.

COWAN, TOWERS & COWAN,
Solicitors for Sara Willoughby, Administratrix.
Dated at Watford this 15th day of February, A. D. 1919.

NOTICE TO CREDITORS

In the Estate of Robert J. G. Edgar, late of the Township of Brooke, in the County of Lambton, Farmer; Deceased.

NOTICE is hereby given pursuant to R. S. O. 1914, Chap. 121, Sec. 56, and Amending Acts, that all persons having any claims against the estate of Robert J. G. Edgar, late of the Township of Brooke, in the County of Lambton, deceased, who died on or about the tenth day of January, A. D. 1919, are required to deliver or send to the undersigned a statement and full particulars of their names and addresses and the security, if any, on or before the first day of April, A. D. 1919.

And take notice that after the said last mentioned date the Executrix will proceed to distribute the estate amongst the parties entitled, having regard only to the claims of which they then shall have notice and the Executrix will not be liable for the estate of any part thereof to any person or persons of whose claim or claims they shall not then have had notice at the time of such distribution.

COWAN, TOWERS & COWAN,
Solicitors for Hannah Edgar, Executrix.
Dated at Watford this 15th day of February, A. D. 1919.

BLACK SILKS

AT LESS THAN WHOLESALE PRICES TO-DAY

We are showing a range of Black Silks that will surprise even city buyers. Our good reliable quality that we have sold you for years at \$2.50 per yard. It's a wonder at the price. 36 to 40 inches wide. We are showing a range of POPLINS at \$1.75 and \$2.00, and a range of all the New Silks in all the wanted shades at \$2.00 and \$2.45. These are yard silks and have the fine finish of all Swiss silks—no filling, all pure silks. Stock complete now.

—SWIFT, SONS & CO.

WANT COLUMN.

Five lines and under, 25c.
Six words average one line.
Card of Thanks 50c.

WANTED—Fifty Women who know what Wool Blankets are worth to come to Watford on Saturday, to Dodds' vacant store.

CANARIES FOR SALE.—Extra good singers will be sold with or without cages. Bargains to quick buyers.—STANLEY MITCHELL, Watford.

FOR SALE—One newly-calved Cow, also a couple of pure-bred Shorthorn Cows. Apply to S. W. EDWARDS, lot 25, con. 3, S.E.R., Warwick.

FARM FOR SALE in Warwick, 150 acres, at Birnata, good buildings and everything complete. Apply to M. L. KENZIE, Forest P. O.

FOR SALE—500 bush. Seed Oats, Improved Banner, took first prize in East Lambton standing field crop competition 1917-18. Apply to JOHN ZAVITZ, Walnut.

ALL PERSONS indebted to the late S. B. Howden will please call at Sterling Bank and make settlement. Books are at the bank and must be closed by March 15th at latest.

FOR SALE.—2 good milking cows, 1 dry cow, 3 two-year-old steers, 5 yearlings, 4 calves, all good Durham stock. Apply to MRS. ROBY KING, lot 5, con. 6, S. E. R. Warwick.

WORN OUT HORSES and fallen animals of any kind bought.—LETT BROS., fur ranchers, lot 18, con. 13, Brooke; Rural phone 4821. Watford P. O. Phone messages at our expense.

THE WATFORD CO-OPERATIVE ASSOCIATION are Agents for GUNN'S FERTILIZER. Buy your Fertilizer wholesale and Save Money. Apply to DAN McDONALD, Manager, Watford, R. R. No. 7.

SEED CORN FOR SALE—A quantity of white cap yellow dent. High germination test. Price \$3.00. Orders from the north can be filled and left at the Farmers' Supply Rooms, Watford. For further particulars apply to W. B. ANNETT, lot 18, con. 10, Brooke, Alvinston R. R. 2.

WES. WILLOUGHBY BLACKSMITH

Jobbing Carefully attended to. Special attention to Horseshoeing. A trial solicited—Satisfaction Guaranteed. SHOP—OPPOSITE ARMORY 1m

Sale Register

Wednesday, March 5, farm stock of W. C. Poore, Warwick. See ad.
Thursday, Feb. 27th, farm stock of Roy Teeple, Plympton. See ad.
Tuesday, March 4th, farm stock of S. J. Wilcocks & Son, Warwick. See ad.

Jack Reid, son of Jos. Reid, Petrolia, is home from the front. He went overseas with the 70th Battalion in April 1916 was Sergt.-Major and had several years previous military experiences. He was one of the 400 soldiers chosen to attend King George's coronation in 1911. After reaching England was for a year instructor at a military school, then returned to private to enable him to get to France. Went with the 21st Batt. as bomber. First under fire during summer of 1917. Saw service in Belgium and France. He had his knee twisted in the big push in the spring of last year, to right of Arras. He was sent to England and was in hospital until armistice was declared.

Most Attractive Prices Still Exist in Our Big Annual SHOE CLEARING SALE

If you have not already taken advantage of this opportunity to save considerable money on your shoes, we advise you to come in this Friday or Saturday and secure your share of this money-saving sale. It won't last much longer. You need the Shoes and we need room for our big Spring stock which we are beginning to open up. We quote prices on a couple of lines to show you how prices have been cut. Dozens more the same way.

Ladies' Fine Shoes

\$4.00 to \$4.50 value, clearing at

\$2.49

See our window.

Men's Fine Shoes

Gun Metal and Patent Button


\$5.00 and \$6 00 value, clearing at

\$4.50

Girls' Shoes Clearing at \$2.00

Size 11 to 2.

P. DODDS & SON



NATIONAL WAR SAVINGS COMMITTEE - OTTAWA
SIR HERBERT B. AMES, Chairman
CAMPBELL SWEENEY, Vancouver SIR GEORGE BURN, Ottawa
JOHN BLUE, Edmonton W. M. BIRKS, Montreal
H. A. ALLISON, Calgary RENE T. LECLERC, Montreal
HON. GEO. A. BELL, Regina SIR J. DOUGLAS HAZEN, St. John
JOHN GALT, Winnipeg W. A. BLACK, Halifax
GEO. M. REID, London HON. MURDOCK MCKINNON, Charlottetown

For Information) REGARDING War-Savings Stamps

ADDRESS NEAREST OFFICE

BRITISH COLUMBIA	Room 615 Metropolitan Building, Vancouver
ALBERTA	218a 8th Avenue West, Calgary; 742 Tegner Building, Edmonton
SASKATCHEWAN	803 McCallum-Hill Building, Regina
MANITOBA	501 Electric Railway Chambers, Winnipeg
THUNDER BAY	Room 410 Grain Exchange, Fort William, Ont.
WESTERN ONTARIO	361 Richmond Street, London, Ont.
CENTRAL ONTARIO	34 Toronto Street, Toronto
EASTERN ONTARIO	Victoria Museum, Ottawa
QUEBEC	160 St. James Street, Montreal
NEW BRUNSWICK	89 Prince William Street, St. John
NOVA SCOTIA	Metropole Building, Hollis Street, Halifax
PRINCE EDWARD ISLAND	Provincial Building, Charlottetown

O.H.M.S. Letters addressed to "Secretary, War-Savings Committee," and marked on envelope "O. H. M. S." require no postage.

Our Aim—Satisfaction

WATFORD SHAVING and HAIRDRESSING PARLORS

Hot Baths and Laundry agency in connection.
Dry Cleaning a Specialty.
Razors Honed.

W. N. FLEETHAM - Proprietor.
Successor to B. E. Fulcher.

DELCO-LIGHT
The complete Electric Light and Power Plant

Enjoy your family circle under bright, safe convenient electric light.



R. O. SPALDING
DEALER WATFORD



Make The Returning Soldier Welcome

THIS is an important hour for Canada. The nation is entering on a new era. It is passing from war to peace. Let us start this new era right. There are thousands of soldiers returning from overseas. The Government is doing all in its power to get these men back to civil life.

It is giving a *War Service Gratuity*—more than any other nation—to keep the soldier going till he gets a job.

It gives him a *pension*—where his usefulness is impaired by his service.

It teaches a man a *new trade* when his service unfits him for his former trade.

It gives him *free medical treatment* when illness recurs, and supplies free artificial limbs and surgical appliances.

It is bringing back to Canada at the public expense the *soldiers' dependents* now overseas.

But the Government, however willing, cannot provide the personal touch needed in this work of repatriation. That must be given by the people themselves.

The men who went from these parts to fight in Flanders deserve a real welcome home—the best we can give.

In most towns committees of citizens have already been organized to meet the soldiers and their dependents at the station, to provide hot meals, supply automobiles, afford temporary accommodation when necessary.

In addition, many other towns are organizing social gatherings to give public welcome to returned men after they have been home a few days.

After he has rested, the soldier must be provided with an opportunity for employment. In towns of 10,000 population, Public Employment Offices have been established to help soldiers, as well as war-workers, secure good jobs quickly. Where these exist, citizens should co-operate. Where they do not exist, the citizens themselves should help put the soldier in touch with employment.

* * *

The fighting job is done. It has cost many a heart-burning. But it has been well done. The least we can do is to show our appreciation in no uncertain manner.

Don't let the welcome die away with the cheers.



The Repatriation Committee

OTTAWA

T. B. TAYLOR & SON.

are pleased to inform the public that owing to the Government removing the restrictions on many lines of drugs and medicines that their stock is now very full and complete and customers may look for a gradual lowering of prices on many articles—especially European products—in the near future, and as we have SEVEN BUSY STORES to buy for our stock is naturally kept fresh and strong from the quick turnover.

Taylor's Throat and Lung Balm
Taylor's Stomach and Liver Cure
Taylor's Cream of Roses
Dr. Morrin's Rheumatism Capsules
—are all sold under a guarantee.

PHONE 38 R 2

A lodge of the Ontario Eastern Star has been started in Wyoming. It will be known as Liberty Chapter.

While playing on the ice at the reservoir at the waterworks, Wyoming, May-

nard McKay, son of Mr. and Mrs. Robert McKay, fell and broke one of his legs above the ankle. His companions carried him home where the fracture was set by Dr. Reid and he is now doing as well as can be expected.

Clearing Sale of Farm Stock IMPLEMENTS, ETC.

The undersigned has received instructions from

ROY TEEPLE

To offer for sale by public auction on the premises
PT. LOT 19, CON. 2, PLYMPTON.

—ON—
Thursday, February 27th, 1919

The following valuable stock, etc., viz:—1 heifer horse, 7 years old; 1 heavy mare 5 years old, in foal; 1 cow, 6 years old, in calf; 1 two-year-old heifer, registered Durham due in May; 1 registered Durham bull, 7 months' old; 1 yearling steer, 2 steer calves, 20 good breeding ewes, 1 DeLaval separator, 1 binder in good order, 1 mower, 1 M. H. rake, new; 1 Deering fertilizer seed disc drill, new; 1 fanning mill, 1 M.-H. 14 plate disc harrow, new; 1 four-section hook tooth harrow, new; 1 buggy, 1 Cocksbutt gang plow, new; 1 Cocksbutt walking plow, 185 ft. new hay rope, 1 set slings and rope, 1 scuffer, new; 1 set sleighs, 1 set heavy harness, good as new; collars and pads, 1 set light harness, 1 hay rack, 1 gravel box, logging chains, forks and hoes, other articles too numerous to mention.

Everything without reserve as proprietor is giving up farming. Sale to commence at one o'clock.

TERMS OF SALE—\$10.00 and under cash; over that amount 8 months' credit on approved joint notes, 6 per cent. per annum discount for cash on sums over \$10.00.

J. F. ELLIOT, Auctioneer.

Auction Sale of Farm Stock IMPLEMENTS, FEED, ETC.

There will be sold by Public Auction for

S. J. WILCOCKS & SON

at LOT 16, 6TH LINE, N. E. R., WARWICK

—ON—
Tuesday, March 4th, 1919

AT ONE P. M. SHARP. The following—Horses—1 brood mare, 1 horse three years. Pure-bred Hereford Cattle—5 cows, 5 calves, 1 bull two yrs. by "Bonnie Brey"; 1 bull eleven months by "Bonnie Brey." Other cattle—6 cows due in March, 3 heifers rising two years, 3 steers rising two years, 1 heifer rising three years, 5 calves rising 1 year, 2 fall calves, 1 calf three weeks. 3 pigs four months, 1 good collie dog, 1 wagon with roller rack, 1 tread power, 1 M.-H. cultivator, new; 1 cutter, 1 plow, 1 roller, 1 corn binder, 1 M.-H. mower, five foot cut; 1 hay rake, 1 M.-H. two-row corn cultivator, new; 1 McCormick manure spreader, new; 1 top buggy, 1 root pulper, a quantity of hay and potatoes, pile of buzz poles, and numerous other articles. No reserve, as the farm has been sold.

TERMS:—All sums of \$5 and under, cash. Over that amount, 8 months credit on approved joint notes. Six per cent. per annum off for cash on credit sums.

M. SADLER, } AUCTIONEERS.
M. J. ROCHE, }

Clearing Sale of Farm Stock IMPLEMENTS, ETC.

The undersigned has received instructions from

W. C. POORE

To offer for sale by public Auction on the premises

west of lot 20, con. 2, N.E.R., Warwick

—ON—
Wednesday, March 5th, 1919

The following valuable stock, etc., viz:—1 brood mare in foal, aged; 1 driving mare, 12 years; 1 general purpose horse, 12 years; 1 horse rising 5 yrs., 1 light colt rising 3 yrs., 1 gelding rising 3 yrs., 1 gelding rising 2 yrs., Percheron; 1 filly rising 1 yr., 1 Ayrshire Cow, due in March; 2 cows due 1st March; 3 cows due in April, 1 two-year-old heifer due in May, 2 heifers rising 3 yrs., 5 heifers rising 2 yrs., 4 steers rising 2 yrs., 6 steers rising 1 yr., 5 heifers rising 1 yr., 15 shoats about 150 lbs., wagon, surrey, buggy, cutter, sleighs, binder, mower, drill, disk, hay rake, tedder, cultivator, corn scuffer, roller, plow, iron harrows, wooden harrows, cutting box, duck foot harrows, grindstone, wagon box, 2 gravel boxes, pig rack, pig crate, hay rack, 1 set of heavy harness, 1 set of single harness, new, 2 neckyokes, 3 sets of doubletrees, 1 ladder 24 ft., 1 large kettle, 1 six pail kettle, 2 oak barrels, 1 vice, 600 lbs. of good oats, quantity of hay and straw, 3 turkey hens, about 90 other hens, cream separator Standard, 2 logging chains, grass seeder, 1 hay fork, car and ropes, sack of twine, barrel of vinegar, 70 lbs. of alsike and timothy, R. R. mail box and post, some cedar posts, lumber for gates, shovels, spades, forks and other articles too numerous to mention.

Sale to commence at one o'clock. Everything without reserve as proprietor has sold his farm.

TERMS OF SALE—\$10.00 and under cash; over that amount 8 months' credit on approved joint notes, 6 per cent. per annum discount for cash on sums over \$10.00.

T. V. RIDLEY, Auctioneer.

More Maple Sugar

Last year's crop of maple sugar and syrup is all gone. Prices this year will be just about as profitable. The export trade is developing. What the dealers want is more maple sugar, more maple syrup, and better quality. Make your maple bush pay this year by tapping all the trees you can handle. As far as the boiling goes it is just about as easy to handle the sap of 5,000 trees as 500.

BORN

In Bosanquet, on Sunday, Feb. 9th, to Mr. and Mrs. M. Salisbury, a son.
In Bosanquet, on Wednesday, Feb. 5th, to Mr. and Mrs. Guy Tidball, a daughter.
In Bosanquet, on Friday, Jan. 31st, to Mr. and Mrs. Fred Molyo, a daughter.
In Warwick, on Wednesday, Jan. 29th, to Mr. and Mrs. John Taylor, a son.
In Bosanquet, on Sunday, Jan. 26th, to Mr. and Mrs. Walter Clare Rawlings, a daughter.

MARRIED

At the Thedford parsonage, on Friday, Feb. 7th, by the Rev. C. J. Moorehouse, Miss Mary May Henry, of Stoney point Reserve to Mr. David Beeswax, of Muncey.
At St. Paul's Anglican Church, Dunnville, on Feb. 12th, 1919, by the Rev. W. J. H. Petter, L.L.B. Madeline, daughter of Mr. and Mrs. John Moblo, to the Rev. James Thompson, M.A., Rector of Holy Trinity Church, Welland, formerly rector of Trinity church, Watford.

DIED

At the family residence, No. 10119, 83rd Ave., S. Edmonton, Alta., on Feb. 6th, 1919, beloved wife of Geo. L. McKee, aged 33 yrs. and 8 mos.

WINTER HARD ON BABY

The winter season is a hard one on the baby. He is more or less confined to stuffy, badly ventilated rooms. It is so often stormy that the mother does not get him out in the fresh air as often as she should. He catches colds which rack his little system; his stomach and bowels get out of order and he becomes peevish and cross. To guard against this the mother should keep a box of Baby's Own Tablets in the house. They regulate the stomach and bowels and break up colds. They are sold by medicine dealers or by mail at 25 cents a box from The Dr. Williams' Medicine Co., Brockville, Ont.



A Satisfied Customer

Has brought many another to our optical department. It has always been our aim to satisfy our customers in every way by doing the best work we possibly can.

If your eyes need attention visit our optical department and let us advise what is best for your eyes.

Try a pair of our TORIC lenses. They relieve all eye strain.

CARL CLASS
Jeweler and Optician
ISSUER OF MARRIAGE LICENSES

Did You Know ?

We still have some of the good old

Handmade Tinware

in stock, such as

- PAILS of all kinds
- DISH PANS
- CREAMERS
- DIPPERS
- PUDDING DISHES

"The Chi-Namel Store"

T. Dodds & Son

prise
at we
It's a
e are
, and
des at
re the
silks.
CO.

Still Exist
ual
G SALE

ken advan-
o save con-
shoes, we
s Friday or
r share of
it won't last
the Shoes
big Spring
ing to open
couple of
prices have
same way.

loes
earing at

des
Button
clearing at

at \$2.00

SON

CO-LIGHT
plete Electric Light and
Power Plant

r family circle under
convenient electric light.

SPALDING
WATFORD

CONSTANT PAIN AFTER EATING

The Tortures of Dyspepsia Corrected by "Fruit-a-fives"

Mr. MARRIS, N.B.
"For two years, I suffered tortures from Severe Dyspepsia. I had constant pains after eating; pains down the sides and back; and horrible bitter stuff often came up in my mouth."

I tried doctors, but they did not help me. But as soon as I started taking 'Fruit-a-fives', I began to improve and this medicine, made of fruit juices, relieved me when everything else failed."

MRS. HUDSON MARSHBANK.
50c. a box, 6 for \$2.50, trial size 25c. At all dealers or sent postpaid by Fruit-a-fives Limited, Ottawa.

ELLIOTT BUSINESS COLLEGE

Yonge and Charles Sts., Toronto, Ont.

Has superior courses, equipment and teachers. It makes good every claim and promise. Every graduate of the last three years has promptly secured positions. Open all year. NOW is a splendid time to enter. Write for catalogue.

W. J. ELLIOTT, Principal.

CENTRAL Business College

Is recognized as one of the most reliable Commercial Schools in Canada. The instructors are experienced and the Courses are up-to-date. Graduates are placed in positions and they meet with success. Students may enter at any time.

WRITE AT ONCE FOR FREE CATALOGUE

D. A. McLACHLAN, Principal.

Sarnia Business College

has excellent facilities for fitting young people for business and office positions. Write for information.

W. F. MARSHALL, Principal.

PLUMBING

HEATING

TINSMITHING

Special attention to
repairing, etc

C. H. BUTLER

PHONE 85-2. WATFORD

GRAND TRUNK RAILWAY SYSTEM

TIME TABLE

Trains leave Watford Station as follows:

GOING WEST	
Accommodation, 75	8 44 a.m.
Chicago Express, 13	1 16 p.m.
Accommodation, 13	4 44 p.m.
GOING EAST	
Accommodation, 80	7 32 a.m.
New York Express, 8	11 15 a.m.
New York Express, 18	2 47 p.m.
Accommodation, 112	5 16 p.m.

C. Vail, Agent, Watford

A Horse Is a Horse

By Archie Cameron New

(Copyright, 1918, by the McClure Newspaper Syndicate)

A mighty crowd of men, all ages, colors, and of various states of servitude, seethed, surged and jostled each other, in the bed of Pelham street, their faces all turned towards Marks' auction stables, and their eyes impatiently fixed on a large red stand to the left of the open concourse. There were those bent on grim bargaining, and many of these were now turning into the street from the large concourse, to swell the larger throng of those gathered from mere curiosity, to see and not to buy.

And now the stellar attraction, a stalwart athlete, whose muscles of iron were almost visible through the blue suit that he wore, emerged from the stable offices, accompanied by a purple rotund individual, whom many recognized as Marks. But every one present, doctors, lawyers, merchants and chiefs, soldiers in uniform, and bums without them, knew the other and proclaimed the fact as they surged again towards the red stand.

"Jack Bedford," "yea, you Jack," "oh, you big boy," and the like rang out, as the former well-known light-weight champion of the fistic ring bowed his smiling acknowledgment to the crowd. But Marks knew what he was there for, and stepped promptly to the front of the stand, while Bedford lightly vaulted over the side and was immediately swallowed up in a circle of admiring fans.

"Gents, y' know what yer 'ere for," he announced, cryptically. "Jack Bedford, former champion lightweight and late of Boethron's circus, has brought his entire string of horses here t' be sold. Not t' be given away; y' understand! Loosen up yer purse-strings, gents. Tear th' string off yer rolls, an' let yer biddin' be fas' and furious. Jed, bring out No. 1." Marks gave the command over his left shoulder, and soon a hostler paraded before the stand, leading the first of Bedford's magnificent stock of horses.

"One hundred," sang out a short, fat man, with a whip in his hand, as the big bay mare again passed in front of the stand, and Marks stared at the bidder scornfully.

"We're not sellin' th' hoofs," he barked out. "This 'ere animal goes in one piece. Gents, do I 'ere any more? Hunnerd'a twenty-five? Thankes, sir. Now fifty! Fifty, ataboy! Now seventy-five! Remember, these are prime stock, not platers."

Bedford, at the side of the stand, disengaged himself for a moment from the recital of a wrinkled old fan, "who'd seen every lick between Sullivan and Sharkey, yes, sir," and stepped up to a large, red-faced man close by. "Do bid 'em up now, Jim," Bedford whispered hastily in the other's ear. "But watch your step! Get out from under if you see the bidders weakenin'. You know the rest."

The man nodded grimly and went to the front of the stand, where he was soon engaged in "boosting the bidding." Meanwhile, one of the hostlers, standing at the entrance to the stables, felt a timid touch on his sleeve, turned with a gruff exclamation, which died on his lips as his mouth opened slowly. For facing him was a dainty little miss, whose brown curls dangled becomingly under a smart little hat, and whose saucy, bright eyes shone on him appealingly.

"Beg pardon, Miss," he said, doffing his cap. "What'd y' say?" "May I go in there?" she asked, in a low tone, at marked variance with the shouts in the street. She pointed to the stables, packed with Bedford's horses.

"Sorry, Miss," was the apologetic answer. "It's 'gainst th' rules. Buyers wuz allowed in before the sale, but not now. You'd get hurt. Th' boss won't 'low it."

"Oh, no," she spoke up, brightly. "I wouldn't get hurt. I'm used to horses. Besides, I know 'em all—every last one in there."

Then, as he wavered, she pressed a "cliché" into his palm. "I'll bet you I won't get hurt," she told him, with a twinkle in her eyes. "And I'm paying my bet in advance."

"I can't go in there, June," said a slightly older girl at her side. "I'm afraid."

The Pill That Leads Them All.—Pills are the most portable and compact of all medicines, and when easy to take are the most acceptable of preparations. But they must attest their power to be popular. As Parlee's Vegetable Pills are the most popular of all pills they must fully meet all requirements. Accurately compounded and composed of ingredients proven to be effective in regulating the digestive organs, there is no surer medicine to be had anywhere.

EARTH'S CRUST NOT RIGID

Scientist's Statement Will Be Matter of Some Surprise to the Average Layman.

To the layman nothing may seem more rigid than the crust of the earth, but men of science say that it bends and buckles appreciably under the pull of the heavenly bodies.

Observation has shown that the shores on opposite sides of a tidal basin approach each other at high tide. The weight of water in the Irish sea, for example, is so much greater at that time that the bed sinks a trifle, and in consequence pulls the Irish and English coasts nearer together.

Thus the buildings of Liverpool and Dublin may be fancied as bowing to one another across the Channel, the deflection from the perpendicular being about one inch for every sixteen miles. It has also been shown that ordinary valleys widen under the heat of the sun and contract again at night.

Alphabet of Souls. The part which gesture plays in Oriental drama is set forth in a recent Hindu volume, which says that there is a fitting gesture to represent every emotion. The gesture, in fact, is described as deaf-and-dumb alphabet of the soul. There are nine movements of the head, corresponding to nine emotions, mentioned by one authority, 24 by another; 28 movements of the single hands, and 24 or 26 of the double hands, etc.; also "hands" denoting animals, trees, oceans and other things. For example, a certain position of the hands denotes a certain emperor, caste or planet. The translator says rather naively that only a cultivated audience can appreciate Indian "actor's art."

Canadian Whale-Canning. A Canadian whaling company has been canning whale meat for a number of months in British Columbia. In a letter to the Commercial Intelligence Branch of the Canadian Department of Trade and Commerce, it says: "Owing to the demand for whale meat for food we have erected a cannery whs. we expect to pack 30,000 to 50,000 cases of whole meat this season. We have also erected three cold storage plants to handle frozen whale meat. We also own and operate two freight steamers, one of which has a cold storage capacity of 500 tons. The species of whales taken on this coast yields three to twelve tons of prime meat, and only the prime meat is used by us at the present time for canning or freezing for food. At our plants the meat is handled in an absolutely sanitary manner, and to this end we have gone to considerable expense. Owing to the whale being a hot-blooded mammal, many of the whales brought in to our stations are unfit for food, as they are sometimes captured at great distances from the stations, and whales that have been killed over twenty-four hours are not used for this purpose. Samples of our canned product are only now being sent out to prospective buyers, and we have not at present made any large sales in this country or the United States, although we have shipped 1,000 cases to Samoa and Fiji. For the purpose of preserving the natural taste of the product, the bulk of which is being shipped to Boston. Our whaling season opens about April 1 and ends about October 15. Up to the present we have put up about 18,000 cases of meat at our cannery."

A Fake Hero. Sergt.-Major A. E. Wood, who has been during some months past feted and lionized to the limit in Puget Sound cities and in British Columbia, has just been sentenced at Victoria to two years' imprisonment for desertion from the Siberian Force, with an additional three months under the order-in-council dealing with the wearing of military medals or ribbons by those not qualified for such honor. Wood had put on the Croix de Guerre, R.S.G.M., for life-saving at sea, King and Queen's South African Medal, with several clasps, Long Service Medal, Military Medal and Mons Star. When he added the ribbon of the Victoria Cross the last straw was supplied.

He Was Frugal. Here is how one frugal French-Canadian lived on the small sum of one dollar a week. "Eet is simple, vaire simple," he explained. "Sunday I go to ze house of a good friend and zere I dine so extraordinaire and eat so vaire much I need no more till Wednesday. On zat day I have at my restaurant one large, vaire large, dish of tripe and onions. I aboyr ze tripe, yea, and ze onion also, and together zey make me so seek I have no more appetite till Sunday. Eet is vaire simple."

Another Police Union. The police of Windsor are reported to have secured a charter preparatory to forming a union, while the firemen of the Border City are arranging to follow suit.

Sounds Like Ancient History. Saskatoon market reports of a few days ago quoted strictly fresh eggs at 35 cents, butter at 25 cents, and beef and pork at 25 cents, any cut.

EVERY WINTER FOR 20 YEARS

writes Mr. I. Whitesmith, of Manilla, Ont., "I suffered agonies with chapped and cracked hands. My thumbs were so badly cracked that they actually never healed up from one winter to the next. As I am a watchmaker, I found it very awkward to do fine work with my hands in such a state. "Of course, I tried remedi after remedy, but nothing was capable of effecting a permanent cure until I used Zam-Buk. This wonderful ointment, in conjunction with Zam-Buk Soap, cured me completely and permanently—even to the healing of the cracks in my thumbs—cracks of twenty years' standing!" For frost-bite, chilblains and cold sores, Zam-Buk is equally effective, and nothing can compare with it for eczema, ringworm, chronic sores, poisoned wounds, bites, cuts, burns and scalds. All dealers or Zam-Buk Co., Toronto. 50c. box.



Zam-Buk

Auctioneer

J. F. ELLIOT,
Licensed Auctioneer
For the County of Lambton.

PROMPT attention to all orders, reasonable terms. Orders may be left at the Guide-Advocate office.

MEDICAL.

JAMES NEWELL, PH. B., M.D.
L. R. C. P. & S., M. B. M. A., England,
Coroner County of Lambton,
Watford, Ont.

OFFICE—Main St., opposite Bell Telephone Central, Residence—Front street, one block east of Main street.

C. W. SAWERS, M. D.
WATFORD, ONT.

FORMERLY OF NASHUA) OFFICE—Main Street, formerly occupied by Dr. Kelly, Phone 13-A, Residence—Ontario Street, opposite Mr. A. McDonnell's, Night calls Phone 13B.

W. G. SIDDALL, M. D.
WATFORD ONTARIO

Formerly of Victoria Hospital, London.
OFFICE—Main street, in office formerly occupied by Dr. Brandon, Day and night calls phone 26.

DENTAL.

GEORGE HICKS,
D. D. S., TRINITY UNIVERSITY, I. D. S.,
Royal College of Dental Surgeons, Post graduate of Bridge and Crown work. Orthodontia and Porcelain work. The best methods employed to preserve the natural teeth.

OFFICE—Opposite Taylor & Son's drug store
MAIN ST., Watford.
At Queen's Hotel, Arksna, 1st and 3rd Thursdays, of each month.

G. N. HOWDEN
D.D.S. L.D.S.

GRADUATE of the Royal College of Dental Surgeons, of Ontario, and the University of Toronto. Only the Latest and Most Approved Appliances and Methods used. Special attention to Crown and Bridge Work. Office—Over Dr. Kelly's Surgery, MAIN ST.—WATFORD

Veterinary Surgeon.

J. MCGILICUDDY
Veterinary Surgeon,

HONOR GRADUATE ONTARIO VETERINARY College, Dentistry a Specialty. AIE diseases of domestic animals treated on scientific principles.
Office—Two doors south of the Guide-Advocate office. Residence—Main Street, one door north of Dr. Siddall's office.

CHANTRY FARM
Shorthorn Cattle and
Lincoln Sheep

All sold out at present.

Can spare a few extra good Silver Grey Dorking and Black Leghorn Cockerels. Also some cheaper—suitable for crossing. Eggs for hatching in season.

ED de GEX, Kerwood P.O.

French scientists have figured that if the grape seeds discarded by wine makers could be utilized as fuel they would have heating value equal to 176,000 tons of coal a year.

**Children Cry
FOR FLETCHER'S
CASTORIA**

AFTER 11

And Still
New C. left me ru not rest at cold which was unabl work. My Vinol, and health so cluding w medicine I 437 So. W. We gua liver and weak, run
TAYLOR

IN J. FIVE, ACC Five Old a If you wan call on J. P. R. Te I

Ticket A to all and British

THE Farmers
JOHN W. JAMES S. ALBERT THOMAS GUILFORD JOHN PE JOHN CO J. F. ELL ROBERT ALEX. JA P. I. MCH W. G. WI Wat PETER Agent for W

A. I Painte P. WATFC

GOOD W PROMP REAS SAT ERESIDEN

Wh GO

going not N for a You

LOY Canada License

A proc freezing f but the f when first Sweet s Worm e children, promptly.

RY WINTER 20 YEARS

I. Whitesmith, of Man-
I suffered agonies with
and cracked hands. My
are so badly cracked that
I never healed up from
to the next. As I am
ker, I found it very awk-
fine work with my hands.
state.
so, I tried remedy after-
nothing was capable
a permanent cure until
m-Buk. This wonderful
in conjunction with Zam-
cured me completely and
y—even to the healing of
in my thumbs—cracks
years' standing!"
bite, chilblains and cold
Buk is equally effective,
g can compare with it
a ringworm, chronic
red wounds, piles, cuts,
scalds. All dealers or
Toronto. 50c. box.



otioneer

ELLIOT.
d Auctioneer
County of Lambton,
to all orders, reasonable
s may be left at the Guide-

EDICAL.

VELL. PH. B.; M.D.
M. B. M. A., England,
County of Lambton,
ford, Ont.
St. opposite Bell Telephone
Front street, one block

WERS, M. D.
FORB, ONT.
NAPLES) OFFICE—Main
med by Dr. Kelly, Phone
ntario Street, opposite Mir
ight calls Phone 138.

ODALL, M. D.
ONTARIO
Hospital, London,
in office formerly occupied
ay and night calls phone

NTAL.

E HICKS.
UNIVERSITY, L. D. S.,
d Surgeons, Post Graduate
work, Orthodontia and
best methods employed to
eth.
Taylor & Son's drug sto e
kona, 1st and 3rd Thrus-

OWDEN
L. D. S.
oyal College of Dentists
, and the University of
at and Most Approved
sused. Special Attention
ork. Office—Over Dr.
ST.—WATFORD

Surgeon.

ICUDDY
Surgeon,
ONTARIO VETERIN-
stry a Specialty. All
als treated on scientific
of the Guide-Advoca-
Street, one door north

FARM
attle and
Sheep
present.
extra good
g and Black
Also some
for crossing.
g in season.
rwood P.O.

figured that if
d by wine makers
they would have
176,000 tons of

Cry
HER'S
ORIA

AFTER SICKNESS THEY GAVE HER VINOL

And She Soon Got Back
Her Strength

New Castle, Ind.—"The measles
left me run down, no appetite, could
not rest at night, and I took a severe
cold which settled on my lungs, so I
was unable to keep about my house-
work. My doctor advised me to take
Vinol, and six bottles restored my
health so I do all my housework, in-
cluding washing. Vinol is the best
medicine I ever used."—Alice Record,
437 So. 11th St., New Castle, Ind.
We guarantee this wonderful cod
liver and iron tonic, Vinol, for all
weak, run-down, nervous conditions.

TAYLOR & SON, DRUGGISTS.

INSURANCE

J. H. HUME.

AGENT FOR
FIRE, ACCIDENT AND SICK BENEFIT
COMPANIES.
REPRESENTING
Five Old and Reliable Fire Insurance
Companies
If you want your property insured,
call on J. H. HUME and get his rates.

—ALSO AGENT FOR—
P. R. Telegraph and Canada Permanent
Loan and Saving Co.

Ticket Agent For C. P. R.—Ticket
to all points in Manitoba, Northwest
and British Columbia

THE LAMBTON Farmers' Mutual Fire Insur- ance Company.

(Established in 1875)
JOHN W. KINGSTON PRESIDENT
JAMES SMITH VICE-PRESIDENT
ALBERT G. MINIELLY DIRECTOR
THOMAS LITHGOW DIRECTOR
GUILFORD BUTLER DIRECTOR
JOHN PETER MCVICAR DIRECTOR
JOHN COWAN K. C. SOLICITOR
J. F. ELLIOT FIRE INSPECTORS
ROBERT J. WHITE FIRE INSPECTORS
ALEX. JAMIESON AUDITORS
P. J. MCEWEN AUDITORS
W. G. WILLOUGHBY MANAGER AND
WATFORD. SEC. TREASURER
PETER McPHERDAN, Watford P. O.
Agent for Warwick and Plympton.

A. D. HONE Painter and Decorator Paper Hanging WATFORD - ONTARIO

GOOD WORK
PROMPT ATTENTION
REASONABLE PRICES
SATISFACTION GUARANTEED
ESTIMATES FURNISHED
RESIDENCE—ST CLAIR STREET

Why Not Now?

YOU have always promised
yourself that you were
going to try our Bread. Why
not now? Just get one loaf
for a trial and note the flavor.
You will be a steady custom-
er over after.

Lovell's Bakery

Canada Food Board
License No. 5-1784.

A process invented in Denmark for
freezing fish not only saves much time,
but the fish when thawed are as fresh
when first caught.
Sweet and palatable, Mother Graves'
Worm exterminator is acceptable to
children, and it does its work surely and
promptly.

INCREASE YOUR PROFITS

Repairing and Renewing Broken
Equipment in Time.

Handy Hints for Repairing Machin-
ery, Harness, Gates and All
Other Breakable Farm Equip-
ment—If Work Is Done Before
Spring Rush Many Valuable
Hours Will Be Saved at a Time
When Delay Spells Greatest Loss.
(Contributed by Ontario Department of
Agriculture, Toronto.)

THE time for a systematic
overhauling of the farm
equipment is at hand. Re-
pairing at home means sav-
ing in two ways—a saving of expense
and a saving of time.

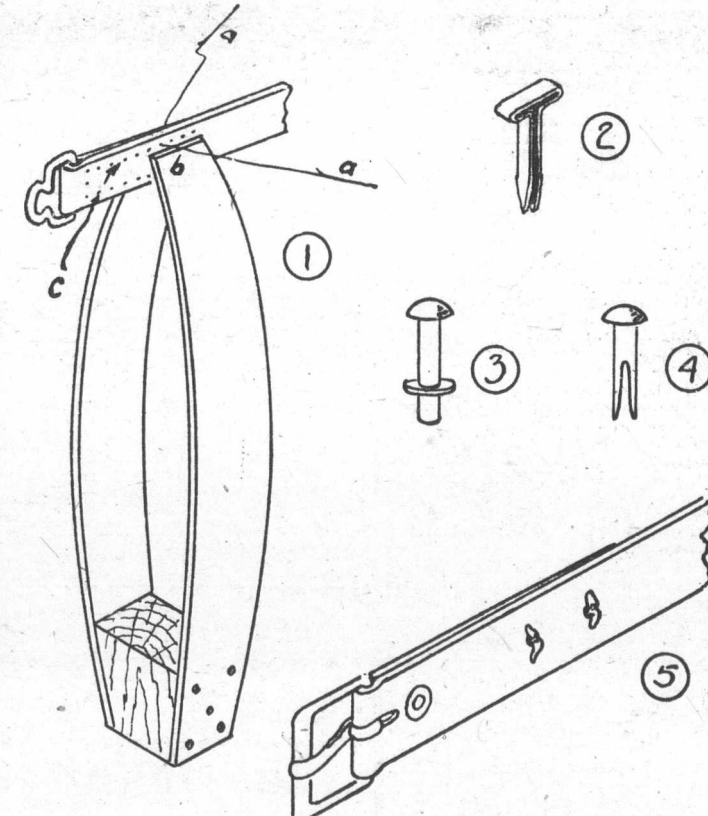
Before attempting to take a ma-
chine apart it is well to thoroughly
look over it to gain a clear idea of
the general arrangement and location
of the parts. Machines with few
parts or parts whose relations are
quite obvious, do not require to be
marked, but machines whose parts
are numerous and similar in size and
in appearance should be given dis-
tinctive marks—similar marks being
put on adjoining parts. These marks
may be centre-pops arranged in de-
vices so: ; or letters
stamped upon surface of the parts
where there is no frictional contact.
In the stress of a busy season a
broken tooth of a gear can be fixed
up in a few minutes, and if properly
done gears so repaired will often last
an indefinite time—often many years.
Chip and file the broken tooth down
to the root. Draw centre line of

tooth across width of rim. Drill the
required number of holes, according
to width of rim. A pin of wrought
iron stock may be driven gently into
the holes and filed to shape to match
the other teeth. A better job may
be made by tapping the plugs into the
rim (Fig. 6).

To mend harness by sewing pro-
cure a couple of strong needles, a ball
of high-grade flax shoe thread (No.
8), a ball of cobbler's wax, a straight
and bent awl, and a clamp to hold
the work. The clamp can be made
from two oak barrel staves (Fig. 1).
The thread should be made in length
and strength according to the work
to be done. For light work from 3
to five strands will suffice, for me-
dium, like lines and girths, from 6
to 8 strands; and for heavy stitching,
as tugs and breeching, it will require
from 9 to 15 strands.

Break the thread by rubbing it
down upon your knee, with your
right hand, and give it a sudden jerk.
It should break in a long ragged end.
The ends should be placed together
so as to form a long tapered point.
Hold strands together in your left
hand. With wax in right hand draw
it over the ends a few times, enough
to keep them together. Now throw
strands over a nail, draw ends even,
twine the end in left hand over fore-
finger, and rub the other end down
on the right knee with the right
hand. When well twisted rub on
more wax. Thread a needle on each
end, draw the thread through the
eye for about two inches. Bend back
the points of the thread and twist
them well into the body of the thread
(Fig. 1a).

Pierce a hole in the work with a
straight awl and insert a needle into
the hole drawing the thread halfway
through (Fig. 1b). Pierce another
hole and pass a needle through for
two or three inches. Through the
same hole draw the other needle.
With a thread in each hand pull them



both quite tight. Repeat. Keep
stitches straight and uniform in
length (Fig. 1c).

For joining two pliable surfaces
together in emergency there is, per-
haps, nothing so handy, so strong
and so neat as a rivet. An assort-
ment of rivets should be kept on
hand, both of soft iron tinned and of
solid copper (Figs. 2, 3, 4). The
split end clincher rivets are suitable
for leather or stout woven material,
as saddle girths and head halters;
iron or copper flat head washers rivets
may be used for leather, cloth, thin
metal and for even thin strips of
wood (Fig. 5).

The wagon is an important factor
in the daily routine work of the
farm, and should be kept in good
running order, but it requires spe-
cial consideration and experience to
profitably repair the wheels, for un-
less the proper taper and "gather"
is given to the spindle, and the axle
set the right way, it will result in a
hard-running wagon, the wheel
grinding on the collar or nut instead
of playing easily between them. The
farmer, however, can attend to loose
spokes, tires and hub bands, checked
hubs, etc. After renewing the broken
parts and tightening up tires and
loose skeins, clean the wagon thor-
oughly, fill the checks with some
good filler and give the whole a coat
of paint. This will preserve the wood
and prevent shrinking. A broken
shaft or tongue may be efficiently
spliced with hoop iron as shown in
Fig. 7. The iron can easily be bent
round close by fixing one end first
and then pulling it over with one
hand and tapping it with a hammer
at the same time.

Assume a broken rail of a gate,
hay or stock rack. The old bar or
rail is sawn off about a foot from the
down rail L as shown by dotted line
in sketch 8a. A short piece of new
stuff is then driven into the mortise
in the head (B) and cut off the right
length; the two are then nailed to-
gether as shown at 8b in part plan.
If broken at A (Fig. 8) the splicing
may be made as shown in sketch by
wrapping hoop iron round it, or by
nailing on each side strong strips of
hardwood as at D (Fig. 8).

One of the first places for a gate
to get rotten is at the junction of
brace and bar or back caused by
wet lodging there. The only way
to fix this is, as shown at C (Fig. 8)
by nailing strip of hardwood firmly to
brace as low down as bottom rail
will allow.—Prof. John Evans, O. A.
College, Guelph.

HISTORY OF DYNAMITE

IT WAS INVENTED BY NOBEL, A
SWEDISH SCIENTIST.

Some Facts About the Way in Which
It Is Manufactured To-day—
Careful Enforcement of Rules in
Plants Results in Lower Accident
Rate Than That of Many "Safe"
Industries.

THE manufacture of dynamite
was first undertaken on a
small scale in 1863-65 by
Alfred Nobel, a Swedish
scientist. The first manufactured,
while extremely crude and danger-
ous, was wonderfully effective when
used under advantageous conditions.
Its composition was of nitroglycerin
and guhr, which is ordinarily de-
scribed as an earthy material like
Fuller's earth. It is in reality the
shell remains of tiny animals and
might be described as the "fossilif-
ferous skeletons of diatomaceous in-
fusoria." Whatever its name, this
fine material was used to absorb
liquid nitroglycerin to form dynamite.

The early processes of manufac-
ture were very crude, as all mixing
and handling were done by hand.
Both production and use were lim-
ited, as the blaster of that date pre-
ferred to use blasting powder, with
which he was more familiar, and
which he considered safer and more
reliable.

The principal objections to the
dynamite of that day arose from the
fact that the dynamite was extreme-
ly sensitive; the guhr did not absorb
and hold the nitroglycerin securely,
but allowed it to leak out, thereby
causing many accidents and the in-
ert or inactive nature of the guhr
reduced the effective strength of the
explosive.

The real value of the new explo-
sive was soon demonstrated, and
much experimental work was begun
in an effort to overcome the objec-
tionable features. Among the ac-
complishments in this connection
have been the substitution of active
dopes or absorbents for inactive
guhr, which played no real part in
the explosion. This introduced a
variety of materials, the principal
of which were wood pulp and nitrate
of soda, both of which enter into com-
bustion with the explosive material
used and add greatly to the effective-
ness of the explosive. The wood pulp
absorbs the liquids and at the same
time is consumed in the explosion
while the guhr which it replaces was
not.

Further progress in the art of
manufacture introduced nitrate of
ammonia as an economical substitute
for part of the nitroglycerin.
In comparatively recent years low
freezing dynamites were developed,
principally by the introduction of

CERTAIN MIXTURES OF THE NITROGLYCERIN

All these changes brought about
many improvements in dynamite and
made it better suited for various
kinds of work. To-day there is a
class or type of dynamite suited for
every kind of blasting, and the pro-
cess of manufacture has been per-
fected to a very high standard.

A dynamite plant differs absolute-
ly from all other factories. There
are no large or expensive single
buildings, and practically every op-
eration is conducted in small isolated
structures, heavily barricaded in or-
der to protect other parts of the
plant in case of an explosion.

Two classes of materials—liquids
and powders (solids)—are used in
making dynamite, and many pro-
cesses are required to properly pre-
pare and mix them.

The non-explosive solids after be-
ing thoroughly tested, dried and
screened are transported to buildings
known as "dope" houses, where they
run for a few revolutions to get the
proportions and amounts. The nor-
mal mixing of dynamite is about 600
pounds, and only enough dope or ab-
sorbent is weighed at one time to
make this amount.

Included with the absorbents are
other materials, which act as a stab-
ilizer to prevent chemical changes
after the manufacture is completed.

From the dope house the dope is
taken to the mixing wheels, which
are large rubber-shod wheels revolv-
ing in a wooden bowl. The dope is
placed in the bowl and the wheels
run for a few revolutions to get it
evenly distributed, when the nitro-
glycerin together with any other ex-
plosive materials of a liquid or a
solid nature, are added. The wheels
are then set in motion and kept run-
ning until the materials are thor-
oughly mixed. The dynamite is now
complete and ready to be packed into
cartridges.

On another line or unit of the
plant automatic machines have been
busy cutting heavy paper from large
rolls, printing the brand and
strength of the dynamite on each
piece and rolling it into shells or
cartridges, each of which is coated
inside and out with a thin film of
paraffin.

In the "punching" house these are
placed in large machines that fill
each with the proper amount of dy-
namite and crimp the open end se-
curely. Each cartridge is then in-
spected.

The next step is into the packing
house, where the finished cartridges
are packed in strong paper-head
wooden boxes, each of which has been
carefully marked beforehand. The
dynamite is then sent direct to the
outgoing cars or to the storage mag-
azines for future shipment to various
parts of the world to perform its mis-
sion in the industrial upbuilding
of the world.

On a well regulated plant every
effort is made to keep each batch or
mixing up to the highest standard of
quality and uniform in every respect.
To do this many unique and elab-
orate types of testing equipment are
needed and each lot of dynamite is
required to pass the most exacting
tests.

British scientists have succeeded
in preserving soap bubbles intact for
more than a month.

Cheapest of all Oils.—Considering the
curative qualities of Dr. Thomas' Elec-
tric Oil it is the cheapest of all prepara-
tions offered to the public. It is to be
found in every drug store in Canada from
coast to coast and all country merchants
keep in for sale. So being easily pro-
curable and extremely moderate in price,
no one should be without a bottle of it.

Going to Have a
Sale this Spring
?

The Guide-Advocate
is well prepared to do
all your advertising.
Bring in your list of
articles offered for sale
and we'll get out your
Sale Bills.

Also, you'll want a
Sale Ad. in The Guide-
Advocate. This is an-
other form of our serv-
ice to you, and at very
reasonable rates.

Guide-Advocate

THESE STOCK TAKING PRICES SHOULD PROVE INTERESTING.

Youth's Sweaters at \$1.49
 Sizes 32 and 34—Very Heavy Quality—Shades of Tan and Grey—Regular Prices at \$2.75. NOW—\$1.49.

Boy's Sweaters at \$1 00
 Sizes 24 to 30—Assorted Shades—Regular \$1.75 FOR—\$1.00.

Men's Heavy Weight Underwear at \$1.25
 A Very High Percentage of Wool in these Elastic Knit Garments—All Sizes from 36 to 42, Splendid Value at \$1.75. CLEARING FOR \$1.25.

Mitt Assortment for \$1.00
 Included in this lot are Horsehide—Mule and Pig Skins,—Large—Well Lined.

MANY LINES OF THE NEW SPRING GOODS ARE NOW SHOWING.

Fancy Chintz for Comforter Covers
 36 Inches Wide in Shades of Rose, Blue, Green, Helio and Fawn.—At 30c. to 70c.

New Dress Gingham
 Gingham are very popular for the Coming Season. The New Patterns are sure to please you and we Guarantee the Colors to be fast.
 PRICES FROM—35c. to \$1.00 per yard.

New Silks and Dress Goods
 Hundreds of Pieces of New Dress Goods and Silks are Now Showing.—Silk Poplins in Every Wanted Shade—36 inches wide. AT \$1.50, \$1.75, \$2.00.

In The Staple Department
 NEW OXFORD SHIRTINGS—Bleached and Unbleached Sheetings—Galateas—Cottonades and Cottons.

A. BROWN & CO.
 "THE STORE THAT SATISFIES"

THE STERLING BANK OF CANADA

SAVE Because---
 Your bank account exemplifies your ability to earn.

Farmer's Account Book

This book is as complete as we can make it. There is a place in it for everything you plant, raise, buy, sell, have on hand; with a summary of the year's business.

It puts your farm on a business basis. It is free to Farmers. Call or write for a copy.

THE MERCHANTS BANK OF CANADA
 Head Office: Montreal. Established 1864.
 WATFORD BRANCH, F. A. MACLEAN, Manager.
 ALVINSTON BRANCH, G. H. C. NORSWORTHY, Manager.

School Reports

The following is the report of S. S. No. 10, Warwick, for month of January. Names in order of merit.
 Class IV—Sr.—Willie Mintielly, Alma McGillicuddy, Franklin Adams, Zelma Conkey.
 Class IV—Jr.—Gordon Adams, Keith Howden, Mac Wiley, Mary Williams, Irene Rogers.
 Class III—Sarah Williams, Ina McIntosh, Gordon Mintielly, Elsie Mintielly, Fred McIntosh, Ivan Parker.
 Class II—Harold Howden, Martha

Williams.
 Class I—Annie Watson, Adeline Evans, George McIntosh and Willie Williams (equal).
 Primer—Sr.—Vera Aitken, Alvin Cundick.
 Primer—Jr.—Marjory Howden, John Aitken, Bessie Bourne and Marion Iles (equal), Alma Williams.
 Number on roll, 28. Average attendance, 26.
 E. M. GOUGH, Teacher.
 Read the Guide-Advocate "Wart Column" on page 4.

Full weight of tea in every package

RED ROSE TEA is good tea

Sold only in sealed packages

BROOKE COUNCIL.

Inwood, Feb. 15th, 1919. Council met pursuant to adjournment. Members all present. Minutes of former meeting read and on motion by Campbell—Atkin were adopted.
 Communications:—
 From Sec.-Treasurer of the Ontario Municipal Association asking the Council to become affiliated with the Association. Atkin—Campbell, that Township Council become members of the Association. Reeve and Deputy Reeve be appointed delegates to the convention.—Carried.
 Mr. W. J. Johnston, Commissioner in charge of repairs to the Carpenter drain reported the work completed. Receipts \$619.00; expenditures \$611.30; balance to credit of drain \$7.70.
 Sutton—Atkin, that report be adopted and the surplus be left to the credit of the drain.—Carried.
 Mr. Johnson tendered his resignation as Commissioner on the following drains—Monro Drain, 9-10 Sideroad, McEachern and Extension and Repair to the Parker-Lucas and 13th Con. Drains, together with a report of the amount spent on each drain.
 Sutton—Atkin, that resignation of W. J. Johnston, Commissioner on drains, be accepted.—Carried.
 Sutton—Loosemore, that W. J. Johnston be appointed Commissioner on the following drains:—Extension and repair to the Parker-Lucas and repair to the 13th Con., McEachern and the 9-10 Sideroad drains.—Carried.
 Sutton—Atkin, that D. M. Campbell inspect the complaint of C. Grey re D.J. bear-Gray Drain.—Carried.
 Petition presented and read, signed by W. R. Dawson and forty other rate-payers of Inwood, asking that By-law No. 12 of 1912 be amended to the extent that the year 1919 and until the by-law shall be again amended. The amount raised for the purpose of the said street lighting shall be \$250 yearly instead of \$150 to be raised in the same manner as is now being done under the said by-law No. 12 of 1912.
 Sutton—Campbell, that petition be entertained and by-law be prepared authorizing the levy of a special rate upon lots or parts of lots described in petition for the purpose of raising the sum of \$250, being the amount necessary to light the streets within the said area.—Carried.
 Loosemore—Atkin, that Chas. Rickard be refunded \$2.00 for dog wrongfully assessed.—Carried.
 Campbell—Loosemore, that adjourned Court of Revision on by-law authorizing repairs to 3-4 sideroad and 8-9 con. drains be re-opened.—Carried.
 Campbell—Atkin, that court be further adjourned to open in Code's Hall, Alvinston, on Saturday the 15th day of March at two o'clock, p. m.—Carried.
 Wm. McCabe presented an agreement signed by all the interested parties on the Orange drain opposite lots 1, 2 and 3, con. 5, asking to have the drain repaired as mentioned in the agreement and costs of the work to be pro rata on assessment made under by-law No. 20 of 1903 and spread over a period of five years.
 Campbell—Sutton, that agreement made by parties on Orange drain be confirmed and C. Atkin be appointed to oversee the work.—Carried.
 By-law submitted and read on proposed repairs to Meuro drain in Enniskillen.
 Campbell—Sutton, that by-law be provisionally adopted printed in pamphlet form with a copy served on each party assessed with a notice that a Court of Revision on same be held on Saturday the 15th day of March, 1919, in Code's Hall, Alvinston, to open at 3 o'clock, p. m. Clerk to serve by-laws.—Carried.
 By-law submitted and read to authorize the levy and collection pro rata the overpayment of \$358.80 from off lands and roads assessed in by-law No. 7 of 1916 authorizing repairs to the Dolbear-Gray drain under the Municipal Drainage

Act.
 Campbell—Sutton, that by-law be read a third and finally passed.—Carried.
 Telephone System asked that \$1400.00 be advanced for telephone purposes. Granted on motion by Sutton—Atkin.
 Sutton—Atkin, that Council do now adjourn to meet in Code's Hall, Alvinston, on Saturday, the 15th day of March 1919.—Carried.
 W. J. WREED, Clerk.

BOSANQUET COUNCIL

Council met on the 10th inst., all the members present except Mr. Menhenick. Minutes of last meeting read and confirmed. The auditors presented their report which was received and adopted.
 A resolution was received from school section No. 17 asking that S. S. No. 17 unite with S. S. No. 18 for the purpose of carrying on a consolidated school.
 The reeve was appointed a delegate to the Good Roads Convention at Stratford on the 11th inst and he was instructed to sell the part of lot 43, L. R. E. con. formerly owned by Harry Taylor.
 The clerk was instructed to notify Jos. Carrothers to not remove certain timber cut or uncut on the C. con. road allowance north of the road ditch.
 The reeve and Mr. McDonald were instructed to take Mr. and Mrs. Gerourd, of Port Frank, to the House of Refuge.
 The following orders were given:—
 Russell—Vivian, W. H. Trick and Jas. A. Hamilton, auditors, \$15 each; Robert Hall \$5.50 for tile on 4 side road; Geo. Thomas \$4.80 for tile on con. 8; Eli Frayne \$2 for posts for bridge, con. 12.
 McDonald—Vivian—Jas. Scott collector, \$2.00 for gravel; Jas. Scott, collector, \$2.00 Sam Gratton's dog tax, Gratton being non resident; Orlo Ross \$4.00 Wm. Connelly's dog tax, Connelly being non-resident.
 The Clerk was instructed to have 150 copies of the Auditors' report printed.
 Council adjourned to meet on Monday, the 10th day of March, 1919.
 GEO. SUTHERLAND, Clerk.

Lambton Prize Winners

Lambton farmers lead the province in oats and sugar beet raising, according to the report of the Ontario Department of Agriculture.
 The winner in the oats contest was Russell Clark, of Alvinston, Lambton County, who raised 79 bushels on his test acre, and after allowing \$14.61 for production cost, on the basis of the department, had a profit of \$48.59. The grain was valued at 80 cents a bushel.
 Cecil Campbell, of Alvinston, made the best showing with sugar beets, his yield to the acre being 18½ tons, and his profit \$163.12. His production cost was \$21.88.
 The winners secure a two weeks' course in live stock and seed judging at the O. A. C., with railway fare and expenses during the period they are away from home.
 Ailsa Craig Hydro Commission pays W. D. Yelf, secretary, \$25 a year, and 50c. per hour for mechanical work. D. Robinson reads the meters and makes out the bills for \$50 a year.

Officers Lambton County Orange Lodge

The annual meeting of the East Lambton County Orange Lodge was held in Warwick Orange Hall on Tuesday, Feb. 4th, with a very large number of members in attendance. County Master, Thos. Freer, presided. Splendid reports were presented of the work done during the past year after which the election and installation of officers for the ensuing year took place under the able direction of Frank Sherk, P. C. M.:—
 C. M.—Albert Hawkins.
 D. M.—James Wallace.
 Chap.—Rev. W. M. Shore.
 R. S.—Mrs. J. Clarke.
 F. S.—Paul Kington.
 Treas.—Henry O. Lane.
 1st Lect.—G. H. Holbrook.
 2nd Lect.—Foster Smith.
 D. of C.—Robt. Hawkins.
 It was decided to celebrate the 12th of July this year in Stratroy. Lurch was served by the Warwick brethren and a short time spent socially together.

THIS IS AN AGE OF WEAK NERVES

Men and Women Alike Suffer From This Serious Ailment

"No heart for anything" is the cry of thousands of men and women who might be made well and strong by the new, rich red blood Dr. Williams' Pink Pills actually make.
 Misery day and night is the lot of hosts of men and women who are today the victims of weak nerves. Thin, pale, drawn faces and dejected attitude tell a sad tale, for nervous weakness means being tortured by morbid thoughts and unaccountable fits of depression. These sufferers are painfully sensitive and easily agitated by some chance remark. Sleeplessness robs them of energy and strength; their eyes are sunken and their limbs tremble; appetite is poor and memory often fails. This nervous exhaustion is one of most serious evils affecting men and women of today. The only way to bring back sound vigorous health is to feed the starved nerves, which are clamoring for new, rich blood. This new blood can be had through the use of Dr. Williams' Pink Pills, which fact accounts for the thousands of cures of nervous diseases brought about by this powerful blood builder and nerve restorer. Through a fair use of this medicine thousands of despondent people have been made bright, active and strong, among these is Miss Bibiane Chiasson, South Beach, Que. who says:—"I am a teacher by profession, and probably due to the close confinement and arduous nature of my duties I become much run down and suffered from extreme nervousness. The least noise would startle me, and my heart would beat violently. Indeed my condition was an unhappy one. I had often heard of Dr. Williams' Pink Pills as a cure for nervous troubles and decided to give them a fair trial. I am happy to say that this medicine completely restored my health, and I can confidently recommend it to all suffering from nervous troubles."
 Dr. Williams' Pink Pills are sold by all dealers in medicine, or may be had by mail at 50 cents a box or six boxes for \$2.50 from The Dr. Williams' Medicine Co., Brockville, Ont.

For Coughs and Colds

Be Ready with a bottle of **Rexall Cherry Bark Cough Syrup** 25c, 50c and \$1.00

OR **Rexall Syrup of White Pine and Tar** 25c and 50c

REXALL COLD TABLETS will break up a cold—25c

A good After-the-"Flu" Tonic—**REXALL HYPOPHOSPHITES** \$1.00

J. W. McLaren

DRUGGIST "THE REXALL STORE" STATIONER



Volume

LOCAL

THE GUIDE-ADVOCATE

OUR EASTER N...

NEXT Wednes...

A GOOD DEAL...

LEAVE your o...

There will be...

ROYAL PURPL...

DAVILIGHT SA...

OLD MAN WI...

SIR WILFRED...

D. D. MACKE...

It is expected...

MUNICIPALITI...

SEE our stock...

ACCORDING to...

There is muc...

REV. W. T. G...

Among the o...

Is this your...

ACCORDING to...

W. N. FLEETS...

THE CANAL...

THE FUNERAL...

Roach, who die...

He was 76 years...