

THE INDEX OF CURRENT EVENTS.

VOL. III. No. 7.

MONTREAL, JULY, 1890.

PUBLISHED MONTHLY.
\$6.00 PER ANNUM.

JULY.

Aberdeen Earl and Countess of, to spend their summer at Hamilton, Ont.—July 5.

ACCIDENTS.—Ballooning, Beardstown, Ill., Prof. Samuel Black's balloon and parachute catch fire when half a mile from the earth; he falls and is killed.—July 4.

Boating, Alexandria Bay, N.Y., the steamer "St. Lawrence" collides with the pleasure yacht "Catharine" in the St. Lawrence river; five persons drowned.—July 17.

Collision, Hell Gate, N.Y., steamer "Eleanor" collides with barge "Walter Sands;" twenty excursionists on the barge injured.—July 5.

Cyclone, Fargo, N.D., great damage done and several persons killed.—July 7.

Cyclone, Marietta, Minn., several persons injured and much damage done.—July 22.

Cyclone, Muscat, Arabia, many houses demolished and great loss of life.—July 9.

Cyclone, N. Dakota and Minnesota; seven persons killed and much damage done.—July 22.

Cyclone, Pacific Junction, Iowa; two business blocks and three dwellings wrecked.—July 19.

Cyclone, South Lawrence, Mass., terrible damage done; eight persons killed and about forty injured; many buildings destroyed, and five hundred people rendered homeless.—July 26.

Drowning, Duluth, Minn., in a yacht race two boats are struck by a squall, one sinks, and two men drowned.—July 23.

Drowning, Gravenhurst, Ont., John Board, jr., and Miss Hosteller carried over the Moon River Falls.—July 2.

Drowning, Halifax, N.S., many people drowned by the breaking of a ferry bridge which precipitated a large number into the water.—July 11.

Drowning, Halifax, N.S., Peter Day, well-known sculler, drowned in Bedford Basin.—July 19.

Drowning, Millville, N.J., George and Jacob Cunningham drowned while swimming.—July 4.

Drowning, St. John, N.B., J. J. Hewlett drowned at the falls under the Suspension Bridge.—July 4.

Explosion, Chicago, Ills., S.S. "Tioga" blown up, over twelve men killed and many wounded.—July 11.

Explosion, Cincinnati, O., two freight cars with 16 tons of powder explode at King's Mills, causing the blowing up of a cartridge factory, wrecking of several houses, and killing of a number of persons.—July 15.

Explosion, Eldersleben, Germany; explosion in a chemical factory kills two men and wounds several others.—July 4.

Explosion, Industry near Scott Haven, Pa., keg of gunpowder explodes in a store, wrecking the building and killing five and injuring two other children.—July 5.

Explosion, Mountain View, N.J., Corning Mill of the Laffin & Rand Powder Works blown up; two men killed.—July 24.

Explosion, Savannah, Ga., W. J. Bullard's boarding-house blown up; three persons killed and six wounded.—July 24.

Lightning, Monroeville, O., the three sons of Otto Goldner killed by.—July 17.

Lightning, Moose Jaw, N.W.T., Henry Battell, his ten year old daughter and a little boy killed by.—July 15.

Lightning, Norwood, Ont., George Howson, farmer, killed by.—July 7.

Lightning, Petite Roche, N.B., J. B. Allain, a boy, while securing a horse in an open field, struck by lightning and killed.—July 5.

Lightning, Scottdale, Pa., a house struck by, instantly killing one and fatally injuring two other of the inmates.—July 15.

Lightning, Seaforth, Ont., Miss A. Lockhart, struck by, and killed while out berry gathering.—July 25.

Mining, Dunbar, Pa., work of rescue at the Hill Farm Mine abandoned.—July 1.

Mining, Dunbar, Pa., coroner's investigation of the Hill Farm mine disaster begins.—July 7.

ACCIDENTS.—Continued.

Mining, Gelsenkirchen, Germany, explosion at the Unser Fritz mine; eight men killed and several injured.—July 31.

Mining, Rankin Station, Pa.; fire damp explodes in the Luckerville mines, seriously injuring five miners.—July 7.

Mining, St. Etienne, France; explosion of fire damp in the Pelissier pit; great loss of life reported.—July 29.

Mining, Zacatecas, Mexico; explosion in the Esperanza mine kills two men and mortally injures seven.—July 5.

Poisoning, Sea Point, near Dublin, Ireland, wife and four children of Mr. James O'Connor, one of the editorial staff of *United Ireland*, fatally poisoned through eating mussels.—July 1.

Prize fighting, Chicago, Wm. Brennan dies from concussion of the brain brought about by a fall in a sparring match with Frank Garrard.—July 4.

Railway, Bloomington, Ind., freight and passenger trains collide and are wrecked; seventeen persons injured.—July 14.

Railway, Elkton, Md., two engines and a number of freight cars destroyed in a collision; no person injured.—July 7.

Railway, Genesee Valley Junction, N.Y., engineer and fireman of a West Shore freight killed in a collision with a passenger train.—July 15.

Railway, Grafton, W. Va.; Wm. Golden, wife and three children killed by a passenger train.—July 27.

Railway, Guelph, Ont., Patrick Dooley, brakeman, killed while shunting cars.—July 8.

Railway, Harford, Pa., two freight trains on the B. & O. R.R. collide; fireman and brakeman killed.—July 15.

Railway, Lennox, Ind., passenger train on the Monon route strikes a cow on the track and the engine is ditched; engineer killed.—June 20.

Railway, Malta, Ills., eastbound fast mail train on the C. & N. W. Ry. runs into a freight train on a side track; several people injured and a fireman killed.—July 22.

Railway, Manchester Ship Canal, England, two workmen's trains collide through mistake of a switchman; three men killed and nine seriously injured.—July 28.

Railway, Manteno, Ills., excursion train, containing a party of Knights of Pythias, derailed; one person killed and five injured.—July 7.

Railway, Passaic River; passenger train on the Erie Ry. strikes a group of five children on a bridge, instantly killing three of them.—July 28.

Railway, Russell, Ky., passenger and freight trains collide on the Chesapeake & Ohio R.R.; engine and two cars badly damaged, and three men injured.—July 5.

Railway, Smithville, Ind., collision in the Monon R.R.; six persons injured.—July 14.

Railway, Syracuse, N.Y., St. Louis express strikes a wagon on a level crossing and kills one of its occupants, seriously wounding the other two.—July 19.

Railway, Terre Haute, Ind., engineer George Kraf, of the "Big Four" R.R., killed in a collision with an Erie train.—July 28.

Railway, Tigerton, Wis., two freight trains collide, two firemen and two brakeman killed, and two engineers injured.—July 22.

Runaway, Denver, Colo., Mrs. Leith, wife of Lieut. Leith of the U. S. Navy, killed in a runaway accident.—July 25.

Runaway, Washington, D. C., Count Sala, First Secretary of the French Legation, has his right leg broken in trying to stop a runaway team.—July 6.

Shooting, Germany, Count Conrad Stolberg accidentally shot dead while duck shooting.—July 17.

Sunstroke, Cincinnati, O., four deaths from heat.—July 1.

Sunstroke, Buffalo, N.Y., three fatal cases.—July 1.

Tornado, Lake Pepin, Minn., excursion steamer sunk, over 100 persons drowned.—July 13.

Tornado, Marshall, Minn., buildings of three farmers demolished.—July 22.

Tornado, St. Paul, Minn., five persons killed and twelve injured, and much damage done.—July 14.

AFRICA.—Anglo-German agreement in reference to Africa signed at Berlin by Chancellor Von Caprivi and Dr. Krael for Germany and Sir E. B. Malet and Sir Percy Anderson for England.—July 1.

Congo railway rapidly progressing.—July 29.

Congo State, Belgium to loan 25,000,000 francs to; five million at once and two millions every year for ten years, without interest.—July 9.

Congo State, Belgium recruiting hundreds of Soudanese for.—July 23.

Egypt, the agreement for the conversion of the £8,500,000 Daira Sanich loan signed at Paris.—July 4.

Egypt, smallpox ravaging the villages between Mansouray and Zagazig; population being almost decimated.—July 23.

Egypt, Suakim, hurricane sweeps over, and does much damage.—July 26.

Egypt, Suakim, many natives near, dying from famine.—July 28.

Egypt, ravages of the cotton worm increasing in the Nile district.—July 31.

Emin Pasha has severe fighting with Masai and Mgoro; he kills many natives with the Maxim gun.—July 31.

French exploring expedition reported to be being organized.—July 24.

French sphere of influence, London *Daily Telegraph* states that England and France will appoint commissioners to fix the.—July 30.

H. M. S. "Stock," launches at the mouth of the Zambesi River, two stern-wheel gun-boats for service on the Shire River.—July 21.

Mahdi the, reported to be about to make another advance, and summons the Emirs to a council of war.—July 21.

Morocco, expedition sent out by the Sultan, against the Zemmour tribe, completely routs the enemy.—July 21.

Morocco, Arabs fire on a detachment of Spanish cavalry near Melima a Spanish convict settlement, the attacking party shelled from the fortress and several Arabs killed.—July 22.

Morocco, the French Minister to, starts for Rabat on a special mission to the Sultan.—July 25.

Morocco, Melilla, thirty Arabs killed at, in the recent fighting with Spanish troops.—July 26.

Morocco, Moorish Government assures Spain of the prompt punishment of the Melilla raiders.—July 28.

Osman Digna reported to be at Omdurman, and his followers at Tokar; he is said to have lost 400 men by famine and sickness.—July 21.

Peters Dr., telegraphs of his arrival at Usugara.—July 3.

Peters Dr., declares Uganda is entirely secured to German interests.—July 21.

Peters Dr., leaves Zanzibar for Europe.—July 22.

Peters Dr., to receive an appointment in the German Imperial Service in East Africa.—July 28.

Royal Niger Company prohibits the sale or importation of intoxicating liquor into its African territory north of the seventh parallel of latitude.—July 30.

Russia to appoint consuls at all the principal ports on the east coast of Africa, from Cape Town to Zanzibar.—July 7.

Saadani, Missionary Stokes and Bishop Tucker's caravan starts for the interior.—July 25.

Soudan, rumored battle between the Dgoalins and the Bagarras, two native tribes in Darfur.—July 26.

SS. "Reichstag" leaves Hamburg with a full cargo and a number of passengers for German East Africa.—July 23.

Victoria, Nyanza, the Queen gives \$250 to the fund for placing a steamer on.—July 16.

Zanzibar, Admiral Freemantle receives the British naval brigade and the field artillery in the presence of the Sultan.—July 23.

Zanzibar, all foreigners, except Germans, welcome the establishment of a British protectorate.—July 28.

Zanzibar, revolt of natives against present Sultan feared.—July 29.

Zululand, terrible starvation existing in.—July 30.

Arabia, Muscat, many houses demolished and great loss of life in, from a terrific cyclone.—July 9.

ARGENTINE REPUBLIC.—Loan Bill postponed indefinitely by the Government.—July 4.

Cedula Note Bill, providing for the emission of \$100,000,000 notes, 10 per cent. of which shall be redeemed and burnt annually, referred by Congress to the Finance Committee.—July 9.

Panic at Buenos Ayres, gold at a premium of 320.—July 12.

More arrests at Buenos Ayres on the charge of conspiracy.—July 21.

Several army officers arrested for complicity in a plot against the Government.—July 21.

Senor Racedo, War Minister, resigns.—July 25.

President Celman resigns and is succeeded by Vice-President Pellegrini as president.—July 29.

Italian Government forbids emigration to, having received information that the revolutionary movement is likely to continue.—July 30.

ARGENTINE REPUBLIC.—Continued.

Western Railway sold to an English syndicate.—July 2.

A revolution breaks out at Buenos Ayres; troops in the garrison rebel; desperate fighting; many killed on both sides.—July 26.

Generals Campos and Arredontio, commanding the insurgents, seize the arsenal, barracks and Plaza Lavalle.—July 27.

The navy declares in favor of the revolutionists, and bombards the Government house and President Celman's residence.—July 27.

The Revolutionists compelled to yield through want of cartridges.—July 29.

Revolution reported to be at an end.—July 29.

The Government grants a general amnesty to all persons who took part in the insurrection.—July 29.

President Celman resigns; everything reported quiet at Buenos Ayres.—July 30.

Astronomical, Charlois at Nice discovers a new asteroid of the twelfth magnitude.—July 17.

Australia, New South Wales, Earl of Jersey appointed governor of.—July 28.

AUSTRIA.—Archduchess Valerie married to the Archduke Francis Salvator, at Ischl.—July 31.

Danube overflows its banks near Vienna; several bridges destroyed.—July 17.

Gerson & Major, recently seized by brigands near Ismid, released.—July 21.

Hungary, much damage done by floods in; 10 persons drowned.—July 14.

Hungary, parish church, synagogue and 70 houses burnt at Rosenan.—July 18.

Terrific rains fall in, doing great damage.—July 3.

Ballooning, Buffalo, N. Y., Prof. Campbell makes a successful trial of his air-ship.—July 16.

BANKS.—American National Bank organized in Boston; capital \$1,000,000.—July 17.

Delta, Pa., Miles National Bank authorized to begin business; capital \$50,000.—July 14.

Englewood, N.J., Citizens' National Bank authorized to begin business; capital \$50,000.—July 11.

Behring Sea, Canadian sealing fleet leaves Victoria, B.C., for.—July 7.

Behring Sea, correspondence concerning between Great Britain and the United States, made public in the U. S. House of Representatives.—July 23.

Behring Sea, British schooner "Ariel" boarded by an officer of the American cutter "Rush," who presented a copy of the President's proclamation to the captain.—July 29.

Belgium, Congo Bill adopted.—July 25.

Belgium, Customs tariffs, conference on the publication of, in different languages, meets at Brussels.—July 1.

Belgium, Congo State Loan Bill introduced into the Chamber of Representatives.—July 9.

Belgium, Government introduces a bill granting an amnesty to soldiers guilty of desertion or other misconduct.—July 9.

Bismarck Prince, declines to contest Kaisers-lantern for the Reichstag.—July 4.

Bismarck Princess, goes to Homburg to take the waters.—July 28.

Bismarck Prince, accompanied by Count Herbert Bismarck, leaves Friedrichsruhe for Schonhausen.—July 29.

Boyle Lord, the missing, arrives in New York and sails for England.—July 24.

Canadian Western Territories, first sod of the Calgary and Edmonton Ry. turned by Hon. Mr. Dewdney.—July 22.

Carnegie Andrew, the Pittsburg millionaire, offers to give \$50,000 to build a free library at Ayr, Scotland.—July 25.

Casati Capt., African traveller, offered a post in the Italian Foreign office, by Premier Crispi.—July 22.

Casati Captain, Italian traveller, promoted to the position of major in recognition of his services in Africa.—July 28.

Casati Captain, to go to England to treat with Lord Salisbury on colonial questions mutually concerning England and Italy.—July 28.

Cedar Keys, Fla., Ex-Mayor Cottrell of, arrested in Lowndes County, Ala.—July 22.

Census, Minneapolis, Minn., warrants issued for five enumerators for complicity in census frauds.—July 22.

CENTRAL AMERICA.—Contradictory reports from Guatemala and San Salvador; both sides claim victory; Guatemala seizes many cases of rifles shipped aboard the Pacific mail steamer "Colima," for San Salvador.—July 24.

General Ezeta's abdication as president of San Salvador demanded by other States of Central America.—July 21.

General Ezeta, of San Salvador, reported to have defeated the Guatemalans in their own country at Atezintemp Chingo.—July 25.

CENTRAL AMERICA.—Continued.

- Guatemala declares war against San Salvador; the troops of the latter reported to have driven back and severely defeated those of the former.—July 18.
- Guatemala, Italian American squadron ordered to, to protect Italian citizens.—July 23.
- Guatemala, President Barillas narrowly escapes assassination by an Indian named Xaching Tubasg.—July 27.
- Guatemala, a revolution against President Barillas breaks out in the Eastern Department.—July 29.
- Honduras, Nicaragua and Costa Rica sign treaty with Guatemala to demand resignation of Ezeta, and to re-establish legal regimen in San Salvador.—July 28.
- San Salvador, family of the late President Menendez deny the reports of poisoning or shooting, and say he died of apoplexy.—July 7.
- San Salvador defeats Guatemala thrice in succession.—July 29.
- Chicago, Ernest Hess, member of the Board of Trade, fails; liabilities estimated at \$100,000.—July 28.
- Chili, serious rioting reported at Iquique; commercial and shipping operations suspended.—July 7.
- Chili, seven thousand men strike in the nitrate district.—July 16.
- Chili, a mob attacks and sacks a number of stores in Santiago, and are quelled by the military.—July 24.
- China to borrow 30 million taels of American silver to build strategic railways in Manchuria.—July 8.
- China, considerable floods in; Peiho River rising.—July 22.
- Churchill Lord Randolph, speaks at the London Conservative Club.—July 23.
- Columbia Government of, opens the port of Turboo, at the mouth of the Atrato, Gulf of Darien, to commerce.—July 28.
- CONVENTIONS.—American Mechanics, Junior Order of, of Pennsylvania, at Williamsport, Pa.—July 15.
- American Trades Press Association meets at New York.—July 21.
- Boiler Manufacturers, American Association of, at New York; 300 delegates present.—July 1.
- Colored Catholics meet at Cincinnati, O.—July 9.
- Confederate veterans, first general reunion of, at Chattanooga, Tenn.—July 2.
- Democratic State Convention of Maine, at Augusta, nominates Wm. P. Thompson, of Belfast, Me., as governor.—July 2.
- Democratic State Convention of Pennsylvania, at Scranton.—July 2.
- Education, National Council of, at St. Paul's, Minn.—July 4.
- Elks Order of, fourth annual reunion and Grand Lodge meeting of, at Cleveland, O.—July 7.
- Flint Glass-workers, National Union of, meets at Baltimore, Md.—July 7.
- Furniture Manufacturers, National Association of, meets at Boston.—July 23.
- Hotelkeepers, National Association of, Saratoga, N.Y.—July 15.
- Independent State Convention of Nebraska, at Omaha.—July 30.
- Journeymen Plumbers, Gas and Steam Fitters, United Association of, meets in Pittsburg, Pa.—July 28.
- Knights of Pythias, Supreme Lodge, opens at Milwaukee.—July 8.
- Letter Carriers, National Association of, meet at New York.—July 4.
- Oddfellows, Kingston, Ont.—July 22.
- Prohibition State Convention of Maryland meets at Glynden Camp.—July 30.
- Republican State Convention of Arkansas at Little Rock.—July 9.
- Republican State Convention of Minnesota, at St. Paul.—July 24.
- Republican State Convention of Nebraska meets at Omaha.—July 24.
- Republican State Convention of Ohio meets at Cleveland.—July 16.
- Republican State Convention of Tennessee meets at Nashville.—July 30.
- Sons of Temperance, National Division of, at Asbury Park, N. J.—July 1.
- W. C. T. U., Inter-State conference of, at Mountain Lake Park, Md.—July 22.
- W. C. T. U. meets at Asheville, N. C.—July 23.
- Universal Peace Congress opened at London, Eng., by David Dudley Field, of New York.—July 14.
- Corea, Allen H. N., of Ohio, appointed U.S. Secretary of Legation.—July 9.
- Corea, American Marines occupy Seoul, June 25. News reported July 10.
- Corea, Rear-Admiral Belknap, of the U.S. Navy, says that he did not take possession of the King's palace at Seoul during the recent troubles, but only stationed troops at the U. S. Legation buildings for protection of Americans and their property; troops now withdrawn.—July 15.
- Crete, Turkish soldiers fired upon by Christians, and five killed.—July 22.

- CRIMES.—Absconding, Montreal, George Stewart, furniture dealer, disappears; liabilities about \$20,000.—July 7.
- Absconding, Paris, Ill., Albert Geoghegan, city clerk, missing; he is short in his accounts with a bank in which he worked, between five and ten thousand dollars.—July 30.
- Bank wrecking, New York, James A. Simmons arrested; he is accused of complicity with P. J. Classen in misappropriating bonds and securities of the Sixth National Bank.—July 14.
- Bank wrecking, New York; James A. Simmons admitted to bail in the sum of \$25,000.—July 23.
- Burglary, Boston, Mass., C. W. Loring's silverware and jewellery office broken into and robbed of \$4,000 worth of valuables.—July 5.
- Burglary, Denver, Col., Union Pacific Ticket office entered and robbed of \$1,500.—July 30.
- Burglary, Saratoga, N.Y., thieves enter cottage occupied by Vice-President Morton and Mr. Bliss, and steal \$10,000 worth of jewellery.—July 17.
- Embezzlement, Baltimore, Md., Ex-State Treasurer Archer pleads guilty and is sentenced to five years' imprisonment.—July 7.
- Conspiracy, Jersey City, Thos. Fallon, Jacob Moschell, Thos. Durancy and James Hail, members of Jersey City Election Board, convicted of conspiracy, and sentenced to 18 months' imprisonment.—July 7.
- Counterfeiting, Annville, Pa., Charles Becker arrested for counterfeiting silver half-dollars.—July 1.
- Embezzlement, Ashcroft, B.C., Charles E. Carey arrested for embezzling funds of the Dominion Express Co., amounting to about \$2,000.—July 19.
- Embezzling, Belfast, Ireland, Mr. Glenn, formerly a councillor of Belfast, convicted of embezzling \$150,000 of the funds of a building society, and sentenced to five years' penal servitude.—July 23.
- Embezzling, East Williston, L. I., Joseph Huntley, a justice of the Peace, pleads guilty to embezzling the money of clients given to him to invest, and is sentenced to nine years' hard labor.—July 14.
- Embezzlement, Vienna, Austria, Alfred Von Kendler, a banker, convicted of fraud and embezzlement, and sentenced to four years' penal servitude.—July 21.
- Forgery, Newark, N.J., Secretary W. R. Owen, of the Newark Steam Generator Co., arrested, and charged with forging checks on the president of the Company for \$3,000.—July 24.
- Forgery, Providence, R. I., Nettie Clark arrested in New York for securing from the Mechanics Savings Bank, Providence, \$5,000 on a forged note; she returned \$3,500.—July 3.
- Incendiarism, Quebec, a man named Delamarre charged with setting fire to his house.—July 21.
- Incendiarism, Quebec, Delamarre and wife conducted to gaol to await their trial at the criminal assizes.—July 24.
- Jewel robbery, Edinburgh, Steven Smith, an American, arrested in London for the theft of the Duchess of Edinburgh's jewels.—July 2.
- Mail robbing, Texarkana, mail on the Iron Mountain train broken open and robbed; no clue to the robbers.—July 26.
- Robbery, Chicago, Ill., two masked men enter the offices of the Northern Pacific Express Co., and cover the two clerks in charge with revolvers, and rob the place.—July 12.
- Shooting, Buffalo, N.Y., Thomas Wilson shot and fatally wounded by an Italian named Gianelli.—July 4.
- Shooting, Mississippi, State Senator Joseph W. Cutrer fatally wounds Freland Chew, editor of the *New Coahomian*.—July 30.
- Shooting, Ottawa, Ill., Benjamin Sotwell shot by George H. West; injuries fatal.—July 4.
- Stabbing, Winnipeg, Man., two half-breeds and a Dane quarrel; one half-breed is stabbed in the head and is expected to die.—July 28.
- Swindling, New York, Bernard Aronson remanded on the charge of swindling many poor people who have been sending money and tickets to Europe.—July 20.
- Train robbery, North Yakima, Wash., freight train boarded by two men who rob the brakeman and conductor of \$120, and escape.—July 6.
- Cuba, Civil Governor Batista leaves Havana for Spain.—July 20.
- Cuba, yellow fever reported to be raging at Havana.—July 16.
- DEATHS.—Barbé, ex-French Minister of Husbandry, at Paris, France.—July 29.
- Becker Lydia, leader of the Woman's Suffrage Movement, at Geneva, from diphtheria.—July 21.
- Bishop Prof. Robert H., at Oxford, O., from paralysis.—July 5.
- Colburn Arthur W., formerly dramatic editor Boston *Traveller*, at Lynn, Mass.—July 1.
- Crawford William, M.P. for middle division of Durham, Eng., a Liberal.—July 1.
- Dunshee Norman, of Drake University, Des Moines, Ia.—July 15.
- Elliott Prof. Wm., jun., presiden of Baltimore City College.—July 1.
- Elwell E. H., editor of Portland Me., *Transcript*, at Ear Harbor, of heart disease.—July 16.

DEATHS.—Continued.

- Fisk General Clinton B., at New York.—July 9.
 Gibson Hon. John, president judge of York county, Pa., at Atlantic City, N.J.—July 6.
 Hay Robert, ex-M.P. for Toronto.—July 24.
 Langevin Noé A. A., brother of Sir Hector Langevin and of the Bishop of Rimouski, at Rimouski.—July 21.
 Locke Nathaniel B., at Toledo, aged ninety-seven.—July 25.
 McCreery ex-Senator Thos. B., at Owensboro, Ky., aged 74.—July 11.
 Marston General Gilman, at Exeter, N.H.—July 3.
 Morrow Col. Thos. G., late editor *Sunday Gazette*, Washington, D.C.—July 20.
 Page John, chief engineer of Government Railways and Canals, Canada, at Ottawa.—July 2.
 Parkhurst George, actor, at New York.—July 2.
 Peters Christian H. F., director Litchfield observatory and professor of astronomy of Hamilton College, Utica, N.Y., from apoplexy.—July 19.
 Rhodes First Lieutenant John N., at Algiers, La.—July 17.
 Schuyler Eugene, American consul general, at Cairo Egypt.—July 17.
 Slade Sir Arthur, chief of British Inland Revenue Department.—July 21.
 Stearns Rev. Dr. Edward J., at Easton, Md.—July 6.
 Steffek, director of the Königsberg Academy of Arts, from apoplexy, at Berlin.—July 11.
 Von Verzeze General, Count Mikolans Pejacsevitch, of the Fourth Army Corps of Austro-Hungary.—July 7.
 Whitney Samuel, of Glassboro, N.J., at Cape May.—July 28.
 Divorce, Dunlo vs. Dunlo & Wertheimer, action brought by Viscount Dunlo, son of Earl Clancarty, against his wife, who was known in London music halls as Belle Bilton.—July 23.
 Divorce, Dunlo vs. Dunlo, case decided for the defendant.—July 30.
 Duelling, Paris, France, M. Menier and Georges Hugo, son of Victor Hugo, fight a duel with swords; the latter slightly wounded.—July 21.
 Earthquakes, Austria, two shocks felt in the Muehl district; another shock in Tischerna, Moravia.—July 25.
 Earthquakes, Santa Rosa, Cala., three shocks felt.—July 1.
 Ecclesiastical, Dallas, Tex., created see of a new Roman Catholic Bishopric; Monsignor Verdageur appointed Bishop of Brownsville, Tex.—July 1.
 Ecclesiastical, Mont Organo, Italy, an entire Catholic congregation converted to Lutheranism.—July 29.
 ELECTION.—Barrow-in-Furness, Eng., Duncan, Gladstonian, 1994; Wainwright, Conservative, 1862; Caine, Unionist, 1280.—July 2.
 Mid-Durham, Eng., Mr. Wilson, a Liberal, returned by a majority of 2,000.—July 17.
 Missouri State elections.—July 29.
 Montmorency, Que., Desjardins, Conservative, elected by 44 votes.—July 26.
 Salt Lake City, Utah, Liberals carry three of the precincts in the school elections at, giving them a majority on the Board of Education provided for in the new school law.—July 14.
 St. Dié, France, General Tricoche, Republican, elected deputy.—July 6.
 Elks Order of, fourth annual reunion and Grand Lodge meeting of, at Cleveland, O.—July 7.
 Emigration, Philadelphia, Pa., thirty Arabs who arrive at, from Liverpool, will have to return.—July 24.
 Emin Pasha has severe fighting with Masai and Ugogo, whom he defeats.—July 31.

EPIDEMICS.—Cholera, Bagdad.—July 30.

- Cholera, Baku, Russia, seventy cases reported at.—July 25.
 Cholera, India, 54 deaths in a battalion of Ghoorkas at Dharmasala in the Punjab.—July 14.
 Cholera, Mecca, Arabia, seven fatal cases.—July 30.
 Cholera, Spain, in the past two weeks 144 cases and 36 deaths reported at Gaudia.—July 1.
 Cholera, Spain, epidemic in Valencia slightly increasing.—July 6.
 Cholera, Spain, epidemic decreasing; six new cases and five deaths at Gaudia.—July 10.
 Cholera, Asiatic Turkey, the disease spreading from Mesopotamia to Lake Van.—July 17.
 Diphtheria, Berlin, Germany, Princess Henry of Prussia rumored to be suffering from diphtheria.—July 9.
 Diphtheria, L'Ange-Gardiens, Que., reports of the prevalence of the disease.—July 28.
 Diphtheria, St. John's, Nfld., 2671 cases and 503 deaths since the outbreak of the epidemic; disease now under control.—July 12.
 Yellow fever, Havana, Cuba; the disease reported to be raging at.—July 18.

EPIDEMICS.—Continued.

- Small-pox, Egypt, disease ravaging the villages between Mansouray and Zagazig; population being almost decimated.—July 23.
 Smallpox, Mexico; diseaseraging at Piedras, Negras and New Laredo.—July 22.
 Executions, Birmingham, Ala., Alfred Cooper, colored, hanged.—July 11.
 Executions, Kamloops, B. C., Frank Spencer hanged for the murder of Peter Foster in May, 1887.—July 21.
 Executions, Martinsville, Va., Thos. Wilson, colored, hanged for the murder of James Davis.—July 25.
 Ex-Empress Frederick of Germany visits Gibraltar.—July 21.
 Eyraud Michel, confesses at Paris to the murder of the bailiff Gouffe.—July 3.
 FAILURES.—Anderson, Kan., Farmers' Loan & Trust Company assigns.—July 3.
 Chicago, Ernest Hess, member of the Board of Trade; liabilities estimated at \$100,000.—July 28.
 Cincinnati, O., Stone & Hines Lumber Company, assigns; liabilities \$80,000 to \$100,000; assets \$100,000.—July 11.
 Harrisburg, Pa., Frank H. Dow, boot and shoe dealer.—July 15.
 New York, Delaney John P., jeweller and optician, assigns.—July 11.
 New York, French & Boughton, boys' clothing, assign.—July 15.
 New York, A. C. Strenz & Son, dry goods, assign.—July 21.
 New York, Stadler & Co., clothing, assign; liabilities \$130,000, assets \$90,000.—July 24.
 Philadelphia, Pa., J. E. Tygart & Co., manufacturers of fertilizers; liabilities \$317,000, assets \$348,000.—July 30.
 Reading, Pa., Samuel B. Kauffman, furniture dealer, assigns.—July 19.
 FAMINE.—Japan, terrible suffering reported amongst the poorer people owing to the failure of the rice crop.—July 30.
 Financial, American National Bank organized in Boston; capital \$1,000,000.—July 17.
 Financial, Englewood, N.J., Citizens' National Bank authorized to begin business with a capital of \$50,000.—July 11.
 Financial, Delta, Pa., Miles National Bank authorized to begin business with a capital of \$50,000.—July 14.
 FIRES.—Allegheny City, Pa., Pittsburg Box Factory, National Lime and Cement Works, and other buildings, damaged; total loss \$50,000.—July 17.
 Apollo, Pa., hotel burnt out; loss \$30,000.—July 15.
 Ashland, Wis., Columbus & Hocking Valley coal dock burnt; one fireman killed, three others seriously injured; loss \$100,000.—July 4.
 Bairdstown, O., five incendiary fires in a week destroy every business house in the village.—July 30.
 Baltimore, Md., Griffin & Manion's livery stable burnt; fifteen horses killed; loss \$60,000.—July 1.
 Baltimore, Md., Posner Bros.' furnishing house damaged to the extent of \$30,000.—July 24.
 Bearbrook, Ont., Setterly Bros.' saw mill destroyed; loss \$30,000.—July 6.
 Binghampton, N.Y., Johnson & Comstock's grain elevator nearly destroyed.—July 21.
 Bloomsburg, Pa., Mayer Bros.' wholesale drug house partially destroyed; loss \$10,000.—July 25.
 Boston, Mass., Clinton meat market burnt; loss \$120,000.—July 2.
 Brantford, Ont., Aird's livery stable destroyed.—July 4.
 Broci, Switzerland; many buildings destroyed, four women killed and many persons injured.—July 29.
 Brooklyn, N. J., Watson's stores burnt.—July 29.
 Brooklyn, N.Y., Empire Warehousing Co.'s stores burnt; loss \$220,000.—July 29.
 Brunswick, Ga., total loss \$200,000.—July 13.
 Camden, Pa., West Jersey Bleach and Dye Works destroyed; total loss \$25,000.—July 29.
 Cartaret, Staten Id. Sound, Colwell Iron Co.'s building burnt; loss \$25,000.—July 11.
 Cincinnati, O., Globe tobacco warehouse burnt; loss \$130,000.—July 10.
 Cincinnati, O., four-story tenement house burnt; four people killed and three injured.—July 21.
 Chicago, Ills., Crucible Steel Casting Company's works burnt; loss \$50,000.—July 29.
 Chicago, Ills., Alston Manfg. Co.'s building nearly destroyed; loss \$130,000, insured.—July 24.
 Chicago, Ills., fire on the lake front destroys docks, lumber yard and railroad properties valued at \$300,000.—July 30.
 Cole, Ind., Rev. David Plumb's residence burnt by incendiaries; Mr. Plumb fatally burnt, and his wife and three children perish in the flames.—July 29.

FIRES.—Continued.

Cologne, Germany, paper factory and the Citizens' Hospital burnt.—July 5.

Columbia, Pa., Columbia Flint Mill Co.'s works destroyed; loss \$20,000.—July 1.

Constantinople, Turkey, great fire in the Stamboul quarter; one thousand houses destroyed; loss \$5,000,000.—July 12.

Côte St. Antoine, Que., four buildings destroyed and two dwelling houses gutted; loss \$50,000.—July 28.

Dallas, Tex., several business buildings burnt out; loss \$157,000.—July 14.

Danvers, Mass., Peabody Institute burnt; loss \$75,000.—July 2.

Delray, near Detroit, Mich., Anchor Manfg. Co.'s hoop mill destroyed; loss \$35,000.—July 29.

Denton, Tex., business block burnt, loss \$100,000.—July 10.

Denver, Col., Chemical Paint Works and 150 feet of the Lorimer Viaduct City Cable Ry. burnt; loss \$35,000.—July 4.

Earlsville, Madison county, N.Y., a number of wooden buildings destroyed; loss about \$55,000.—July 24.

East Saginaw, Mich., Kinney Hotel burnt; one man killed.—July 4.

East Tawas, Mich., steam barge "Sea Gull" burnt; it drifts from its moorings and sets fire to another ship, Emory's dock and mill, Lock & Stevens' dock, and Sibley & Heringer's docks and lumber.—July 5.

Edwardsville, near Wilkesbarre, Pa., Evans' brick block destroyed; loss altogether \$18,000.—July 25.

Evansville, Ind., dye-house of Herman's factory burnt; loss \$175,000.—July 6.

Hammerfest, Norway, town almost totally destroyed by fire.—July 22.

Hastings, Neb., H. A. Tyler's wholesale dry goods store burnt; loss \$67,000.—July 5.

Hot Springs, Ark., two blocks burnt; loss \$30,000.—July 16.

Ithaca, Mich., twenty-eight buildings burnt.—July 10.

Liverpool, Eng., Manchester Canal Company's warehouse burnt; loss \$300,000.—July 18.

Minneapolis, Minn., Security Warehouse Co.'s building destroyed; total loss \$1,000,000.—July 15.

Minneapolis, Minn., plant of the Monitor Plough Works destroyed; loss \$115,000.—July 28.

Montreal, Que., three stores in the east end badly damaged; loss \$10,000.—July 24.

Montreal, Que., Balmoral Hotel badly damaged.—July 29.

New Britain, Conn., Anglo-American Electric Light Co.'s shops burnt.—July 16.

New York, Waterbury & Co.'s bagging mill burnt.—July 11.

New York, five-story tenement on Third Avenue burnt; one woman killed; loss \$14,500.—July 22.

Omaha, Neb., E. D. Meadimber's carriage factory burnt; loss \$50,000.—July 28.

Paterson, N.J., J. C. Todd's machine works burnt; loss \$150,000.—July 20.

Paterson, N.J., two buildings on North Third Street burnt by an incendiary; the supposed culprit, a woman, arrested.—July 25.

Pictou, Ont., Union Vale cheese factory burnt down; loss \$2,000.—July 23.

Pittsburg, Pa., Western R.R. depot burnt.—July 17.

Philadelphia, Pa., C. A. Blessing's plumbers' materials factory damaged to the extent of \$100,000.—July 4.

Philadelphia, Pa., Henry Muller Brewing Company's brewery damaged; loss \$100,000, two men badly hurt.—July 11.

Plainfield, N.J., Crescent League bowling alleys and club room burnt by an incendiary fire; loss \$5,500.—July 29.

Port Louis, Guadeloupe, W. I., principal buildings destroyed by fire; loss \$200,000.—July 1.

Quebec, Delamare & Ouillette's saloon burnt; five persons perish in the flames.—July 17.

Rockland, Mass., serious fires at, many stores burnt out; total losses over \$100,000.—July 16.

Rosenan, Hungary, parish church, synagogue and 70 houses burnt.—July 18.

Sackville, N.B., destructive bush fires along the line of the ship railway.—July 28.

Saginaw, Mich., lumber piles, houses, offices and twenty freight cars destroyed; loss \$535,00.—July 29.

Salt Lake City, Utah, Grand Opera house burnt; loss \$500,000.—July 3.

Sarnia, Ont., Loveley Bros., rubber and collar works and other buildings damaged by fire.—July 18.

Savannah, Ga., Enrich & Bros.' wholesale grocery damaged by fire to the extent of \$20,000.—July 19.

FIRES.—Continued.

Seneca Falls, N.Y., the Pew building, Hoyt's Opera house, Phoenix Block, Post office, Western Union Telegraph office, and several stores burnt; total loss \$245,000.—July 30.

Sherman, N.Y., Excelsior Hall, eleven business places and seven dwellings burnt; loss \$50,000.—July 14.

Spokane Falls, Wash., Munro Street bridge and much other property destroyed; loss \$180,000.—July 23.

Tacoma, Wash., C. M. Johnson's sash and door factory burnt; loss \$75,000, partly covered by insurance.—July 28.

Urbana, Ia., J. D. Burrell's store and Masonic & Oddfellows' Halls burnt; loss \$100,000.—July 24.

Wallace, Idaho, town almost completely destroyed by fire; fifteen hundred people homeless.—July 27.

Walnut, Ill., business portion of the village destroyed; 55 buildings burnt; loss \$125,000.—July 31.

Wheatley, Ont., main business block burnt; loss \$40,000.—July 12.

Wilmington, Del., Phillips & Kane's paint store burnt; loss \$25,000.—July 2.

Wilmington, Del., Stanton Cotton Mill destroyed.—July 21.

Fisk General Clinton B., prohibition candidate for the Presidency in 1888, dies at New York.—July 9.

FLOODS.—Austria, the Danube overflows its banks, several bridges destroyed.—July 17.

Austria, the Salzach river overflows its banks and inundates the surrounding country; many persons drowned.—July 30.

Clear Creek Canon, Colo., an immense cloudburst fills up the creek, two iron railway bridges and several houses washed away; no lives lost.—July 22.

China, Peiho River rising.—July 22.

Horse Creek, Walker County, Ala., a cloudburst floods the valley and does immense damage; loss estimated at \$100,000.—July 28.

Hungary, much damage done along the Danube, 10 persons drowned.—July 14.

India, heavy rains in the Darjelling district cause serious floods; many bridges carried away.—July 17.

FRANCE.—Crops throughout most of the country destroyed by incessant rains.—July 25.

De Freycinet, French Minister of War, seized with a sudden illness.—July 21.

French chambers vote 400,000 francs for the relief of the sufferers by the fires in Martinique.—July 12.

General Tricoche, Republican, elected deputy for St. Dié.—July 6.

M. Ribot, Minister of Commerce, asks the Chamber of Deputies for a credit of 400,000 francs to lay a cable between France and England; also asks for 290,000 francs for telephone lines between Paris and London.—July 25.

M. Roche, Minister of Commerce, to distribute copies of the U.S. McKinley Tariff bill amongst the French Chambers of Commerce.—July 24.

Nihilists, trial of, opens at Paris.—July 4.

Paris, 101st anniversary of the fall of the Bastille celebrated.—July 14.

St. Etienne, explosion of fire-damp in the Pelissier coal pit; great loss of life reported.—July 29.

The Chamber of Deputies rejects M. Gaite's motion in favor of woman suffrage.—July 22.

Zanzibar, negotiations with England respecting, being discussed.—July 25.

Frost reported at Owing's Mills near Baltimore, July 20, and in the Onondaga Valley, N. Y.—July 21.

GERMANY.—American riflemen visiting Germany leave Hanover for Berlin.—July 2.

American riflemen leave Berlin for Cologne.—July 14.

American riflemen leave Cologne for Bingen.—July 16.

American riflemen visit Niederwald.—July 18.

American riflemen visit Neustadt, Bavaria.—July 20.

Anglo-German agreement in reference to Africa signed at Berlin by Chancellor Von Caprivi and Dr. Krael for Germany, and Sir E. B. Malet and Sir Percy Anderson for England.—July 1.

Colonial Society meets at Cologne.—July 1.

Emperor William arrives at Christiania, Norway.—July 1.

Emperor William arrives at Bergen, Norway.—July 9.

Emperor William returns from Norway.—July 28.

Explosion in Unger Fritz mine at Gelsenkirchen; eight men killed and several injured.—July 31.

Federal Rifle Meeting opens at Berlin.—July 6.

Princess Henry of Prussia rumored to be suffering from diphtheria.—July 9.

Professor Schenfelder, of the Wurzburg University, nominated Archbishop of Hamburg.—July 18.

GERMANY.—Continued.

Reichstag prorogued.—July 2.

SS. "Reichstag" sails from Hamburg with a full cargo and a number of passengers for German East Africa.—July 23.

Supplementary military estimates passed second reading in the Reichstag.—July 1.

Gibbons Cardinal, returns to Baltimore from Cape May.—July 18.

Gold, discovery of, at Chezzetcook, near Halifax, N.S.—July 29.

Gold, exports of, from New York, amounting to \$1,255,000 in the week ending July 26.

Gold, Tincup, Colo., wonderful discovery of gold reported, said to average \$1,000 in value per ton.—July 8.

Gladstone Rt. Hon. W. E., fifty-first anniversary of his wedding.—July 25.

Gladstone Hon. W. E., speaks at the National Liberal League, London, Eng.—July 30.

Greece, Duchess of Sparta, wife of the Crown Prince, gives birth to a son.—July 21.

Guiana, the Czar to act as arbitrator in the dispute between France and Holland in regard to.—July 22.

Hanlan Edward, defeats George Hosmer at Sioux City, Ia., in a three mile sculling race, and wins \$500.—July 4.

Harrison President and party, leave for Cape May Point for a short visit.—July 3.

Harrison President, sends a flag to the American Art Students' Association in Paris.—July 4.

Harrison President, returns to Washington from Cape May Point.—July 22.

HELIGOLAND.—Bill for the cession of, to Germany, read a first time in the British House of Commons.—July 4.

Bill for the cession of, to Germany, passes its second reading in the British House of Commons, by 209 to 51.—July 25.

Bill for the cession of, passes its third reading in the British House of Commons.—July 28.

Residents adopt a grateful farewell address to the Queen of England.—July 21.

Holland, North Sea Canal Netherlands Government abolishes the toll on.—July 18.

Holland, great drought in Amsterdam, water famine feared.—July 24.

Idaho, bill for the admission of, as a State, passed in the U.S. Senate without a division.—July 1.

Idaho, President Harrison signs the bill for the admission of, as a State.—July 3.

Idaho, Wallace, town of, almost completely destroyed by fire; 1500 people homeless.—July 27.

IMPERIAL PARLIAMENT.—Census, the Commons by a vote of 286 to 269 reject Baron Dimsdale's proposals, that questions of religion be included in the next census interrogatories.—July 22.

Commander-in-chiefship of the British Army, Secretary for War says in the Imperial Commons that the Government was considering the advisability of abolishing the.—July 3.

Heligoland, bill for the cession of, to Germany, read a first time in the Commons.—July 4.

Heligoland Cession Bill passes its second reading in the Commons, by 209 to 61.—July 25.

Heligoland Cession Bill passes its third reading in the Commons.—July 28.

Newfoundland fisheries, Prof. James Brice, in the Commons, presents a petition signed by 15,000 Newfoundlanders asking Parliament to redress their grievances.—July 4.

November session, Mr. W. H. Smith announces a, owing to the urgency of public affairs.—July 18.

Tithes Bill, the Cabinet decides to drop the.—July 1.

INDIA.—Cholera, fifty-four deaths from amongst the members of a battalion of Ghoorkas, at Dharmasala, in the Punjab.—July 14.

Heavy rains in the Darjeeling district cause serious floods, many bridges carried away.—July 17.

Indian council bills, price of, through the rise in silver, raised from 1s. 4d. to 1s. 7d., making an annual addition to the India budget of \$3,550,000.—July 28.

Indians, Pottawatomies and Shawnees sell their unoccupied lands to the U.S. Government; 325,000 acres of land to be opened upon ratification of treaty by Congress.—July 3.

Indians, St. Boniface, Man., industrial Indian school to be erected at.—July 26.

International arbitration, British parliamentary conference on, opens.—July 22.

IRELAND.—Captain Rye, a justice of the peace, sentenced at Cork to two months' imprisonment for shooting and wounding a poacher.—July 23.

Duke of Devonshire makes a reduction of 15 per cent. in the rentals of his Irish estates.—July 25.

IRELAND.—Continued.

Limerick, at a meeting of the corporation of, a motion censuring Bishop O'Dwyer in connection with the case of John Dillon lost by three votes.—July 31.

ITALY.—Argentine Republic, emigration to, forbidden by Italian Government.—July 30.

Casati Capt., African traveller, offered a post in the Italian Foreign office by Premier Crispi.—July 22.

Chamber of Deputies approves a motion in favor of international arbitration.—July 12.

Duke of Aosta, nephew of King Humbert, about to marry Princess Elvira of Bavaria.—July 25.

Italian American squadron ordered to Guatemala to protect Italian citizens.—July 23.

Mont Organo, an entire Catholic congregation converted to Lutheranism.—July 29.

Roman municipal council bill, scene in the Chamber of Deputies on the second reading of the.—July 1.

Senate passes a bill for the reorganization of public charities.—July 14.

Jamaica, exhibition at, Mr. Adam Brown, M.P. for Hamilton, Ont., appointed honorary commissioner to represent Canada.—July 21.

Japan, election for House of Peers under new constitution on June 23rd News reported July 10.

Japan, terrible suffering reported amongst the poorer people, owing to the failure of the rice crop.—July 30.

Knights of Pythias, excursion train containing a party of, derailed at Manteno, Ills.; one person killed and five injured.—July 7.

Knights of Pythias, Supreme Lodge of, opens at Milwaukee, Wis.—July 8.

LABOR.—American Federation of Labor issues a call for an International Congress of Workingmen to be held in connection with World's Fair in Chicago.—July 3.

Halifax, N.S., labor day at.—July 23.

London, Eng., Stevedores' Union declares a boycott against the Allan, Wilson and Hull lines for employing non-union men.—July 24.

New York, Central Labor Federation of, meets.—July 25.

Northumberland, Eng., miners have their wages increased 2½ per cent.; this makes an advance of 30 per cent. within a few months.—July 7.

Rohrerstown rolling mill, Lancaster county, Pa., re-opened after several years suspension.—July 29.

Scotland, steel manufacturers in the west of, announce their intention of reducing wages ten per cent. to begin in August; workmen threaten to strike.—July 29.

Wilkesbarre, Pa., the Maltby colliery, owned by the Lehigh Valley Coal Co., opened after six years idleness, giving employment to 300 men and boys.—July 15.

Labrador, railway projected to be built to St. Charles' Bay from Quebec, which is calculated to reduce Atlantic voyages to four days.—July 10.

Lamontagne Leda, wanted at Sherbrooke, Que., to be extradited at Boston, Mass.—July 30.

Lard compound, bill introduced by Mr. Conger, in the U.S. Representatives, to regulate the sale and manufacture of, to be reported favorably by the House Committee on Agriculture.—July 30.

Leary raft leaves Portland, Me., for New York.—July 27.

LEGAL.—Iowa, Judge Kavanaugh, of the Polk County District Court, has rendered a decision, to the effect that an alien can acquire by inheritance no right or interest to real estate in.—July 3.

New York, Farmers' Loan & Trust Company versus Bankers' & Merchants' Telegraph Company, Judge Andrews gives judgment of foreclosure and sale.—July 15.

New York, Union Insurance Co. of Philadelphia wins suit against Continental Insurance Co. for \$77,000.—July 2.

London, Eng., County Council, Sir John Lubbock elected chairman of.—July 22.

London, Eng., letter-carriers strike; all mail deliveries in districts covered by them suspended.—July 9.

Louisiana Lottery Bill amended in the State Senate, so that the amount to be paid to the State was raised to \$1,250,000 a year, and concurred in by the House at Baton Rouge by 68 to 25.—July 3.

Louisiana Lottery Bill vetoed by Governor Nichols.—July 7.

McCarthy Justice, M.P., ordered by his physician to go to Royal, in the south of France.—July 4.

McKinley Tariff Bill, meeting at Sheffield, Eng., to protest against.—July 14.

Mahdi the, reported to be about to make another advance, and summons the Emins to a council of war.—July 21.

Manitoba, Indian industrial school to be erected at St. Boniface.—July 26.

Manitoba, wheat-cutting commenced at Emerson.—July 29.

MARRIAGES.—Archduchess Valerie of Austria to her cousin, the Archduke Francis Salvator, at Ischl.—July 31.

MARRIAGES.—Continued.

- Kingdon, Coadjutor Bishop, to Annette Beverly Marsh (*née* Robinson) at Fredericton, N.B.—July 22.
- Stanley Henry M., to Dorothy Tennant, in Westminster Abbey, London, Eng.—July 12.
- Martinique, French Chambers vote 400,000 francs for the relief of the sufferers by the fires in.—July 12.
- Maryland, Ex-State Treasurer Archer pleads guilty to embezzlement of the funds of the State, and is sentenced to five years imprisonment.—July 7.
- Maryland, Frost at Oakland.—July 22.
- Mexico, Anglo-Dutch Syndicate acquire six million acres in the State of Tamaulipas.—July 5.
- Mexico, Mexican boundary line, Mr. Sherman in U.S. Senate offers amendment to General Deficiency Bill appropriating \$50,000 for marking the; amendment referred.—July 30.
- Mexico, Revenue stamps, eleven thousand dollars' worth of, stolen from the revenue office, city of Mexico.—July 26.
- Milan, ex-King of Serbia said to have been married again to a rich young American lady.—July 25.
- Military, British Army, commander-in-chiefship of, the Secretary of State for War says in the Imperial Commons that the Government was considering the advisability of abolishing the.—July 3.
- Military, London, Eng., the second battalion of the Grenadier Guards ordered to Bermuda on account of recent insubordination.—July 22.
- Military, U.S., Col. R. M. Batchelder nominated Quartermaster-General of the U.S. Army.—July 3.
- Mormonism, Mr. Morgan introduces a bill to the U.S. Senate for the exclusion of Mormons from public lands in Wyoming.—July 1.
- Mormonism, Salt Lake City school elections, Liberals carry majority of the precincts.—July 14.
- Mormonism, anti-Mormon campaign started by settlers at McLeod, N.W.T.—July 21.
- MURDERS.—**Argentine, Kan., Frank Mullen shot and killed by John Stober.—July 20.
- Austin, Texas, a man named Milan, his wife and five children shot and killed by unknown persons in Williamson county.—July 22.
- Ballyneale, Ireland, John Hart murders his mother and chops her body into pieces.—July 11.
- Baltimore, Md., Martin Houck kills his wife.—July 18.
- Belmont County, O., Mandville Ault, deputy recorder, shoots his wife and then hangs himself, while laboring under a fit of insanity.—July 23.
- Benzies, Md., Mrs. Chas. York and her aged mother murdered; a man named Meeks arrested.—July 29.
- Columbus, Ga., Clarence McCleroy cuts the throat of Annie Read in a fit of jealousy.—July 7.
- Columbus, Ind., John Pettellett shoots his wife.—July 5.
- Denver, Col., John Snooks stabbed and killed by K. A. Joyce.—July 4.
- El Paso, Tex., Joseph D. Brown, telegraph operator, murdered in a gambling house by Wm. G. Colwell.—July 3.
- Goreville, Ill., Morris Sullivan and wife killed by their 16-year-old son.—July 14.
- Granville, Wis., George Olson stabbed to death by Michael Haas in a drunken quarrel.—July 20.
- Labrador, Thomas Oliver kills three of his children and then shoots himself while suffering from melancholia, May 4. News reported July 23.
- Magazine, Logan county, Ark., Capt. Wm. Ellington and son killed by W. D. McInturf, a detective; the latter escapes.—July 24.
- New York, Joseph Moore killed by Nicholas Cosultiz in a sailor's boarding-house on Hamilton street.—July 22.
- New York, Hester Lotty stabbed to death by her drunken husband, whom she had been supporting by her small earnings as a tailoress.—July 4.
- Omaha, Neb., Henry Hall shoots and kills his wife and then himself.—July 16.
- Owasso, Mich., Perry Comstock, a farmer, shoots his wife and then kills himself.—July 13.
- Paris, France, Eyraud confesses to the murder of the bailiff Gouffe.—July 3.
- St. Paul, Minn., Charles Price kills John McAllister in a quarrel, and then gives himself up to the police.—July 27.
- Wesserberg, Germany, Rhoda Erfeld kills her mother with a hammer and then fires the house.—July 28.
- Wilkesbarre, Pa., George Wardick, a miner, beaten to death by two unknown assailants.—July 4.
- NAVAL.—**British H.M.S. "Bellerophon" arrives at St. John's, Nfld.—July 21.
- British H.M.S. "Canada" at Annapolis, N.S.—July 7.

NAVAL.—Continued.

- British H.M.S. "Comus" arrives at Halifax, N.S., from St. John's, Nfld.—July 28.
- British H.M.S. "Thrush" leaves Bermuda for Halifax, N.S., with Prince George of Wales.—July 28.
- British H.M. Troopship "Tyne" with two torpedo boats arrives at Halifax, N.S.—July 7.
- British, two torpedo boats arrive at Halifax.—July 7.
- British H.M.S. "Warspite," with Rear Admiral Hotham, arrives at Victoria, B.C.—July 17.
- U.S. Steamer "Alliance" arrives at Hong Kong.—July 14.
- U.S., Commodore W. P. McCann appointed an acting rear admiral.—July 28.
- U.S., Court of Inquiry meets on the flagship "Richmond" to investigate cause of trouble between Admiral Gillis and Captain Reade.—July 7.
- U.S. North Atlantic Squadron arrives at Bar Harbor.—July 18.
- U.S. "Saratoga," Philadelphia nautical school ship, arrives at Southampton, Eng.—July 9.
- U.S. Squadron of Evolution leaves Rio de Janeiro, Brazil, for New York.—July 5.
- U.S. Squadron of Evolution passes Asbury Park, N.J., on its way from Brazil.—June 29.
- U.S. Squadron ordered to Guatemala to protect Italian citizens.—July 23.
- U.S. Steamers "Thetis" and "Ranger" arrive at San Jose de Guatemala.—July 30.
- U.S. Steamer "Alliance" arrives at Singapore.—July 7.
- U.S. Steamer "Alliance" arrives at Amoy, China.—July 23.
- U.S. Steamer "Ranger" arrives at Acapulco, Mexico.—July 23.
- U.S. training-ship "Jamestown" arrives at Plymouth, Eng.—July 20.
- Newfoundland, delegates who have been visiting England regarding the fishery matter sail from Liverpool for St. Johns.—July 9.
- NEW YORK.—**Board of Education, John L. N. Hunt appointed president in the place of J. E. Simmons, resigned.—July 2.
- Central Labor Federation of N.Y. meets.—July 25.
- Edward Morton, president of the New York Timber Export Co., arrested in a suit brought by the Western National Bank.—July 14.
- Ex-Alderman Dempsey, of the 1884 Board, returns from Canada.—July 15.
- Western Union Telegraph Co.'s building badly damaged by fire; total loss \$1,000,000.—July 18.
- Niagara, John L. Soule, of North Muskegon, Mich., attempts to swim the rapids.—July 4.
- Nihilists, trial of, opens at Paris, France.—July 4.
- Norway, Emperor William of Germany arrives at Christiania.—July 1.
- Norway, Emperor William of Germany arrives at Bergen.—July 9.
- Nova Scotia, discovery of gold at Chezzetcook, near Halifax.—July 29.
- Ogden, Utah, Rocky Mountain Carnival opens at.—July 1.
- "ORIGINAL PACKAGES."—Girard, Kan., Mrs. James A. Smith enters an Original Package House, breaks bottles, and assaults the agent with a horsewhip; arrested and fined one dollar, her husband has been on a protracted drunk since the house has been opened.—July 5.
- North Dakota, several "original package" stores open in spite of the State Prohibition Law.—July 6.
- Kansas State Temperance League meet to discuss the decision of the U.S. Supreme Court in the original package case.—July 17.
- Washington, Pa., police raid four original package houses.—July 16.
- Chamberlain, S. D., Judge Henry sustains his temporary injunction closing the original package houses in that town.—July 20.
- U.S. House of Representatives agrees to the House's "Original Package" bill as a substitute for the Senate bill; yeas 176, nays 38.—July 22.
- Osman Digna reported to be at Omdurman, and his followers at Tokar; he is said to have lost 400 men by famine and sickness.—July 21.
- Panama Canal, *Le Paris* of Paris publishes cablegrams, saying that the Columbian government welcomes the proposals of Mr. Wyse, who went to secure a renewal of the canal concession.—July 28.
- Peace Congress opened at London, Eng., by David Dudley Field, of New York.—July 14.
- Peters Dr., to receive an appointment in the German Imperial service in East Africa.—July 28.
- Pope the, takes a drive outside the Vatican grounds to visit the sculptor Aurelli.—July 15.
- Pope the, clerical newspapers maintain that, did not drive outside the Vatican.—July 16.
- Pope the, sends a letter to Cardinal Lavigerie eulogizing his labors in Africa.—July 21.
- Portugal, Chamber of Deputies passes a credit for the construction of a cable to the Azores.—July 7.

- Prince Edward Island, candidates nominated for the Legislature.—July 23.
- Prince George of Wales leaves Bermuda for Halifax, N.S., in H. M. S. "Thrush."—July 23.
- QUEBEC.—Governor and Mrs. Angers leave for Rivière-du-Loup.—July 21.
- National Club banquet, Windsor Hall, Montreal; Mercier and Laurier speak.—July 2.
- Premier Mercier speaks at a public meeting in St. Johns.—July 18.
- Provincial Government cabinet meets in Government offices, Montreal.—July 24.
- Whelan-Pacaud scandal, the commission to investigate adjudged unconstitutional.—July 24.
- Queen Victoria gives \$250 to the fund for placing a steamer on the Victoria Nyanza.—July 16.
- RAILWAYS.—Calgary & Edmonton Ry., first sod turned at Calgary by Hon. Mr. Dewdney.—July 22.
- Congo State Railway rapidly progressing.—July 29.
- Findlay & Western RR. incorporated at Columbus, O.; capital stock \$100,000.—July 18.
- Kansas City, Wyandotte & N. W. Ry. sold to the Missouri Pacific.—July 8.
- Louisville & Nashville RR. Co. mortgages its entire system to the Central Trust of New York, for \$75,000,000.—July 28.
- Marietta, Hocking & Northern RR. incorporated at Columbus, O.; capital stock \$100,000.—July 18.
- New Brunswick Ry. transferred to the Canadian Pacific.—July 25.
- Northern Canadian Atlantic Ry. to be built from Quebec to St. Charles' Bay, Labrador, which will reduce Atlantic voyages to four days.—July 10.
- San Antonio & Arkansas Pass Ry. placed in the hands of a receiver.—July 15.
- Revolutions, Guatemala, Central America, revolution breaks out against President Barillas in the Eastern Department.—July 29.
- Riots, Barcelona, Spain, striking factory hands attempt to parade, but are dispersed by police.—July 23.
- Riots, Leeds, Eng., striking gasworkers have a serious conflict with the police and military; city in total darkness at night in consequence of the strike.—July 1.
- RUSSIA.—Cholera, seventy cases of, reported at Baku.—July 25.
- Completes arrangements for the immediate construction of a great naval harbor at Liban, on the Baltic.—July 23.
- Consuls to be appointed for all the principal ports on the east coast of Africa, from Cape Town to Zanzibar.—July 7.
- Czar buys Worms Island in the Baltic Sea for a million francs.—July 15.
- Grand Duchess Xenia to marry the Grand Duke Alexander Michaelovitch.—July 15.
- Jews, Government orders the application of the edicts of 1882 against; enforcement of these edicts will result in the expulsion of over one million Jews from the country.—July 30.
- Ministry of Agriculture to be formed by the Government.—July 21.
- Siberian cattle plague ravaging the province of Riazau.—July 24.
- Tariff dues increased on starch, glassware, wax and cod liver oil.—July 26.
- San Salvador, telegrams from Guatemala state that General Menendez was assassinated and did not die a natural death.—July 3.
- Schuyler Eugene, consul general for U. S. at Cairo, Egypt, dies.—July 18.
- Servia, the Synod rejects the petition of ex-Queen Nathalie to reconsider the legality of her divorce from ex-King Milan.—July 21.
- SHIPPING.—"Benguela," Portuguese SS., New York to the Azores and Lisbon, abandoned; crew landed at Corunna, Spain.—July 2.
- "City of Detroit" SS. runs down the SS. "Kasota" in the Detroit river, one woman drowned; loss nearly \$120,000.—July 17.
- "Egypt" SS., National Line, abandoned on fire at sea; crew rescued on board of the "Manhattan."—July 23.
- "Esperanza" barque, crew of, rescued by the barque "Ashley" and brought to Quebec.—July 29.
- "Etienne Rux Joloux," French fishing schooner, wrecked in a fog at Point Savoyard, St. Pierre; captain drowned, but crew escape.—July 21.
- "Franconia" SS., New York for Fernandina, Fla., goes ashore on the North Breakers, while entering the latter port without a pilot.—July 28.
- "Galveston" SS. runs ashore in Contrecoeur channel, St. Lawrence River.—July 3.
- "George M. Elder" SS. and bark "Oakland" ashore near Port Wilson, Wash., in a dangerous position.—July 22.
- "Gulf of St. Vincent" SS. ashore near Holyhead; no lives lost.—July 21.
- "Henri IV.," French SS. from St. Pierre for Havre, sunk near Croisic.—July 12.
- SHIPPING.—Continued.
- "Idaho" SS. runs ashore near Southwest Point, Anticosti.—July 23.
- "Marian" yacht, of South Boston, strikes a rock near Rye Beach, N.H., and sinks; three of the crew drowned.—July 14.
- "Regius" SS. sunk in a collision with a local steamer, the "Main," near Calcutta.—July 4.
- "Richmond," old Dominion steamer, towed to New York by the SS. "Guyardotte," the "Richmond's" machinery broke off Hampton Roads.—July 15.
- "Teutonic" SS. arrives at New York from Queenstown in 5 days, 22 hours and 27 minutes.—July 16.
- The Leary raft drawn by two tugs leaves Portland, Me., for New York.—July 27.
- "Thornholm" SS. from Pictou, N.S., for Montreal, with coal, runs on to Barritlege, opposite Rivière du Loup wharf.—July 18.
- "Virginia" SS. of the Old Bay Line, from Baltimore for Norfolk, collides with the "Louise," an excursion boat, off Fort Carroll; five persons killed on the "Louise," and a number injured.—July 28.
- "Vorwarts" SS. at Savona, Italy, fire breaks out in the vessel, which contains a cargo of oil; authorities order that it be taken outside the harbor for protection of other shipping.—July 27.
- "William Rice," American schooner, lost at sea with all hands.—July 24.
- SPAIN.—The Queen Regent accepts the resignations of the members of the Cabinet.—July 3.
- Cholera epidemic in Valencia slightly increasing.—July 6.
- New Cabinet formed composed of extreme protectionists.—July 6.
- Cortes, sittings of, suspended.—July 7.
- Two thousand striking factory hands at Barcelona attempt to parade, but are dispersed by police.—July 23.
- SPORTS.—Canoeing, Lake of Two Mountains, Que., fourth annual camp of the Northern Division of the American Canoe Association opens.—July 20.
- Foot-racing, Chicago, H. Jewett, of Detroit, at the Wonder Cricket and Athletic Park, runs a hundred yards in 10½ seconds.—July 4.
- Lacrosse, Montreal, Que., Shamrocks defeat the Ottawas by 7 to 1.—July 19.
- Racing, Chicago, Lizzie B. runs a mile and seventy yards in 1.45½, beating the record.—July 2.
- Racing, Hudson County Jockey Club's meeting begins.—July 3.
- Racing, Lansdown Park Club, Eng., Royal Handicap of 1,000 sovereigns won by Smith's Miss Dollar.—July 11.
- Racing, Sheepshead Bay, Tournament wins the Realization race.—July 2.
- Rowing, Boston, Mass., Teemer's crew defeats Ten-Eyck's crew in the professional four-oared race.—July 4.
- Rowing, Duluth, Minn., regatta opens, junior single scull won by Nettleton of the Minnesotas; junior four-oared race by the Winnipegs; junior double sculls by the Catlin Club, Chicago; professional double by Gaudaur & McKay.—July 22.
- Rowing, Duluth, Minn., second day of regatta, Minnesotas win the senior double-sculling race; Corbett wins the senior singles; Gaudaur's crew wins the four-oared professional race.—July 23.
- Rowing, Henley-on-Thames, Eng., annual regatta held.—July 10.
- Sculling, Boston, Mass., Teemer wins the three-mile race, Ten-Eyck second, and John Joyce third.—July 4.
- Sculling, Duluth, Minn., Gaudaur wins the senior sculling race, Teemer second, Hosmer third, and Hanlan fourth.—July 26.
- Sculling, Sioux City, Ia., Edward Hanlan defeats George Hosmer on the Big Sioux river in a three-mile race, winning \$500.—July 4.
- Shooting, Berlin, Germany, in the rifle contests Mr. Ultschig, of San Francisco, and Messrs. Krause & Martin, of New York, win prizes.—July 7.
- Shooting, Bisley, Eng., the Scotch team wins the National trophy by nine points.—July 21.
- Shooting, Bisley, Eng., Canadian riflemen win several prizes.—July 21.
- Shooting, Bisley, Eng., Elcho shield won by the Irish team.—July 24.
- Shooting, Bisley, Eng., Sergeant Bates, First Warwickshire Regiment wins the Queen's prize.—July 22.
- Shooting, Bisley, Eng., Kolapore cup won by English team with a score of 704 points.—July 23.
- Sprinting, Carson, Nev., N. H. Johnson breaks the world's 125-yard-running record; time 12½ seconds.—July 2.
- Tennis, Wimbledon, Eng., Lewis, the Irish champion, defeats Miller of the St. George's Club, New York, in the single championship.—July 3.
- Trotting, Cleveland, O., Adonis, a Californian horse, paces a mile in 2-11½.—July 30.
- Yachting, Long Island Sound, American Yacht Club hold their second annual regatta off Milton Point.—July 7.
- Stanley Henry M., married to Miss Dorothy Tennant, in Westminster Abbey.—July 12.

Stanley Henry M., recovered from his illness.—July 22.

STORMS.—Bavaria, severe hailstorms in, destroy crops.—July 23.

Campbellford, Picton, Ont., and vicinity, wind, hail and lightning do considerable damage.—July 2.

Casselton, N.D., hailstorm destroys crops near.—July 30.

Colorado, cloudbursts near Canon City and Central City do great damage.—July 22.

Columbus, O., terrific thunderstorm at; two persons killed by lightning.—July 30.

Coshocton County, O., cloudburst damages crops and drowns stock.—July 1.

Embro, Ont., severe hailstorm does much damage to crops.—July 26.

England, thunderstorms and heavy rains in the midland and southern counties have a destructive effect on the crops.—July 17.

Girard, Pa., a hurricane strikes the town, much damage done.—July 18.

Hellertown, Pa., large brick agricultural works wrecked by the wind, and many buildings unroofed.—July 17.

Minnesota, a hail and windstorm at and near the towns of Highland, Glasgow and Beyes, completely ruins the crops.—July 13.

Monongahela Valley, Pa., a trestle on the B. & O. RR. washed away at Finleyville.—July 15.

Parkersburg, W.Va., destructive storm at; damage estimated at \$500,000.—July 4.

Pittsburg, Pa., severe electrical storm at, and in the neighborhood of; much damage done.—July 2.

Trenton, N.J., destructive storm of wind, hail and rain; number of trees uprooted and buildings unroofed; two men killed by lightning.—July 17.

Wyoming Valley, Pa., a cloudburst floods the lowlands, and washes out the Pennsylvania RR. at one point; much damage done in Wilkesbarre.—July 15.

STRIKES.—Bakers, Chicago, Ill., English-speaking bakers on strike.—July 29.

Cabmen, Aberdeen, Scotland.—July 21.

Chili, seven thousand men strike in the nitrate district.—July 16.

Cloakmakers, New York, strike settled in favor of the strikers.—July 24.

Dock laborers, Chicago, 1,000 men out.—July 3.

Dock laborers, Newcastle, Eng., refuse to unload Danish vessels belonging to owners against whom Copenhagen laborers have struck.—July 16.

Factory hands, Barcelona, 2,000 strikers attempt to parade but are dispersed by police.—July 23.

Freight handlers, Cincinnati, O., 500 men quit work.—July 7.

Gasworkers, Leeds, Eng., strikers have a serious conflict with the police; the military called out; the city in total darkness at night.—July 1.

Grenadier Guards, London, Eng., the guards ordered to Bermuda, on account of recent insubordination in the second battalion.—July 22.

Grenadier Guards, London, Eng., the Queen determined to investigate the grievances of the men.—July 24.

Lumbermen, Ashland, Wis., strike settled, men agreeing to work ten hours for ten and a half hours' pay.—July 29.

Police, London, Eng., policemen strike.—July 7.

Postmen, London, Eng., letter carriers go on strike.—July 9.

Postmen, London, Eng., strike collapses; four hundred men suspended or dismissed.—July 12.

Puddlers, Pittsburg, Pa., 500 men employed in the American Iron Works go on strike.—July 18.

Quarrymen, Joliet, Ill., men resume work at old wages.—July 21.

Railway hands, Cincinnati, O., five hundred freight handlers strike.—July 7.

Saw mill hands, Eau Claire, Wis., four hundred men strike for ten-hour day.—July 18.

Street car men, Grand Rapids, Mich., the company accede to the men's demands.—July 29.

Switchmen, Louisville, Ky., strike of L. & N. Ry. men settled by mutual concessions.—July 11.

Telegraph operators, London, Eng., refuse to work overtime.—July 8.

Weavers, Vienna, Austria, strike for increase of 30 to 80 per cent. in wages, and for the suspension of female labor in the mills.—July 2.

Siam, A. C. Moore, of W. Va., appointed U. S. Minister to.—July 9.

Silver, rise in, and concurrent advance in Indian exchange in London, raises the price of Indian Council Bills from ls. 4d. to ls. 7d., making an annual addition to the India budget of \$3,550,000.—July 28.

Socialism, Berlin, Socialists of Germany call a meeting to consider what steps shall be taken by the party after the expiration of the Anti-Socialist law.—July 18.

SUICIDES.—Fort Hamilton, N.Y., Carl Nilsson, of the Brooklyn hotel, commits suicide through despondency.—July 24.

New York, Frederick Ottner, aged 50, shoots himself.—July 5.

Pittsburg, Pa., Nicholas Grattan Von Bonnhorst, secretary and treasurer Peoples' Savings Bank, shoots himself; no cause assigned.—July 3.

Rockford, Ill., A. W. Webb, chief of police, shoots himself; it had been discovered that he had forged the name of a friend to two notes amounting to \$375.—July 10.

Washington, D.C., Miss May McCracken shoots herself; no cause assigned.—July 26.

Windsor, Ont., Geo. E. Dempsey, colored, jumps off a ferry boat.—July 22.

Woodstock, Ont., Mr. John Robertshaw poisons himself with arsenic.—July 22.

Sulphur, National Sulphur Company, capital \$10,000, incorporated at Covington, Ky.—July 2.

SYNDICATES.—Electric lighting, Saxony; a Dresden syndicate obtains a concession under which it will supply 168 towns in Saxony with electric light.—July 21.

Menhaden fish oil factories, an English syndicate purchases the, on the New England coast.—July 26.

Mexico, Anglo-Dutch syndicate acquire 6,000,000 acres in.—July 5.

Mining, Toronto, Ont., a company with a capital of \$300,000 incorporated to operate the Thunder Bay district.—July 5.

National Bridge property, Va., sold to a Mass. and Virginia syndicate for \$300,000.—July 18.

Stockyards, Chicago, the new syndicate begins negotiations for the purchase of stockyards at St. Louis, St. Joseph, South St. Paul and Iowa City.—July 24.

Tin Mines, San Jacinto, Cala., English syndicate buy the mines.—July 22.

Telegraphy, France, M. Ribot, Minister of Commerce, asks the Chamber of Deputies for a credit of 400,000 francs to lay a cable between France and England.—July 25.

Telegraphic, Limited Postal Telegraph service, bill to establish, reported in U.S. Senate and placed on the calendar.—July 29.

TEMPERANCE.—Kansas State Temperance League meet at Topeka to discuss the original package decision of the U.S. Supreme Court; 5000 delegates present.—July 16.

National Division of the Sons of Temperance meet at Asbury Park, N.J.—July 11.

"Original packages," North Dakota; several "original package" stores open in spite of the Prohibition Law.—July 6.

"Original packages," Washington, Pa., police raid four "original package" houses.—July 16.

"Original packages," Chamberlain, S. D., Judge Henry sustains his temporary injunction closing the "original package" houses.—July 20.

"Original packages," U.S. Representatives pass the House "Original Package" Bill by 176 to 38, as a substitute for the Senate Bill.—July 22.

Trenton, N.J., Prohibitionist State Central Committee of N.J. meets at.—July 15.

Theatrical, Nat Goodwin opens at the Gaiety Theatre, London, Eng., with the "Gold Mine."—July 21.

Theatrical, Signor Tamagno, the tenor, about to retire from the stage, having purchased an estate at Varese.—July 21.

Toronto, City Council decide to issue over one million dollars' worth of consolidated local improvement debentures at four per cent.—July 7.

Toronto, Peter Ryan, registrar of the city, fined \$10 and costs or thirty days for assaulting James J. Muldoon.—July 4.

Toronto, Queen Victoria presents a case of books to the University.—July 23.

Toronto, Summer Carnival held at.—July 1.

TURKEY.—Armenia, 575 Armenians, inhabitants of the village of Arzop, petition the Russian Metropolitan at Ervan for admission to the Greek church, to be accompanied by the protection of the Russian consulate.—July 22.

Armenians raise a riotous demonstration in their cathedral at Constantinople against their Patriarch, because of his alleged weak attitude towards the Porte regarding outrages perpetrated by Turks in Armenia; Turkish soldiers attack the church, and some on both sides are killed.—July 27.

Bulgaria, Stambuloff, Prime Minister, reported to have been shot by a girl at Sofia.—July 10.

Bulgaria, alleged shooting of M. Stambuloff not confirmed.—July 11.

Constantinople police, Kiamel Bey, director of, dismissed; succeeded by Nazim Bey, governor of the city.—July 28.

Erzeroum, nine battalions of redifs reinforce the garrison at.—July 28.

TURKEY.—Continued.

- Great fire in the Stamboul quarter of Constantinople destroys a thousand houses; loss \$5,000,000.—July 12.
- Marinkovics, Servian consul at Pristina, Roumelia, murdered.—July 2.
- Montenegrins reported to have invaded Turkey in large numbers and to have been victorious in several encounters.—July 6.
- Montenegro, Colonel Martinovics, commandant of the body-guard of Prince Nicholas, murdered at Cetinje; the murderer instantly lynched.—July 7.
- Moussa Bey, the public prosecutor appeals against the acquittal of, and a new trial is ordered.—July 9.
- M. Nelidoff, Russian ambassador, repeats the protest contained in the note of the Russian foreign minister against the berats of investiture granted by Turkey to the Bulgarian Bishops; the Sultan denies any hostility towards Russia.—July 31.
- Serious conflict between Turks and Montenegrins on the shore of Lake Scutari; the Turks the aggressors.—July 4.
- Servia, the Synod reject the petition of ex-Queen Nathalie to reconsider the legality of her divorce from ex-King Milan.—July 20.
- Servia threatens to sever diplomatic relations with the Porte, if reparation is not made for the murder of the Servian consul at Pristina.—July 24.
- Servia, ex-King Milan said to have been married again to a rich young American lady.—July 25.
- The Porte orders a searching enquiry to be made into alleged Ottoman oppression in Armenia.—July 19.
- The Porte declines to give the satisfaction demanded by Servia for the murder of the Servian consul at Pristina, or to compensate the widow of the murdered man.—July 22.

UNITED STATES.—Agricultural Appropriation Bill, conference ordered on, in the U.S. Senate.—July 1.

- Appointments, Allen H. N., of Ohio, to be Secretary of Legation to Corea, confirmed by Senate.—July 9.
- Appointments, Batchelder Col. R. M., nomination of, to be Quartermaster-General of the Army, approved by the Senate.—July 3.
- Appointments, Bedell Ossian, of New York, to be consul at Fort Erie; confirmed by Senate.—July 24.
- Appointments, Fishback G. W., of Mo., to be Secretary of Legation to Buenos Ayres; confirmed by Senate.—July 9.
- Appointments, Gracey Spencer P., to be Marshal of the U.S. Consular Court at Foo Chow, China.—July 1.
- Appointments, Hamilton W., of Pennsylvania to be Assistant General Agent of Education for Alaska.—July 8.
- Appointments, Hayden J. E., of D. C., to be Consul at Breslau, Germany, confirmed by Senate.—July 9.
- Appointments, Heath Charles, of Mass., to be Consulat Catania, Italy, confirmed by Senate.—July 11.
- Appointments, Holloway W. F., of Illinois, to be Consul General at Stratford, Ont., confirmed by Senate.—July 9.
- Appointments, Joslyn C. D., to be Consul at Windsor, Ont., confirmed by Senate.—July 9.
- Appointments, Kimberly Samuel, of Va., to be Secretary of Legation in Central America, and Consul General at Guatemala, confirmed by Senate.—July 24.
- Appointments, King Adam E., of Md., to be Consul-General at Paris, confirmed by Senate.—July 11.
- Appointments, McCann Commodore W. P., to be acting Rear-Admiral.—July 28.
- Appointments, Moore A. C., of W. Va., to be minister to Siam, confirmed by Senate.—July 9.
- Appointments, Nettleton A. B., of Minn., and O. L. Spaulding, of Mich., to be Assistant Secretaries of the Treasury, confirmed by Senate.—July 18.
- Appointments, Pierce W. P., to be Consul at Trinidad, W.I., confirmed by Senate.—July 9.
- Appointments, Rodgers R. C. of Cala., to be Commissioner for Alaska, confirmed by Senate.—July 9.
- Appointments, Soley James Russell, of Mass., to be Assistant Secretary of the Navy, confirmed by Senate.—July 18.
- Bankruptcy Bill passed in the U.S. Representatives, 117 to 84.—July 24.
- Behring Sea, correspondence concerning, between Great Britain and the United States made public in the U.S. Representatives.—July 22.
- Census, St. Louis, Mo., makes a formal request for a recount.—July 3.
- Census, Baltimore, Md., W. J. Whiting, one of the supervisors, arrested on the charge of making false returns.—July 21.
- Census, recount ordered in St. Paul and Minneapolis, Minn.—July 28.

UNITED STATES.—Continued.

- Compound Lard, bill introduced by Mr. Conger to regulate the sale and manufacture of, to be reported favorably by the House Committee on Agriculture.—July 30.
- District of Columbia bill, new conference asked on, in the Senate.—July 1.
- Diplomatic Appropriation Bill, conference report on, agreed to in the U.S. Senate.—July 7.
- District of Columbia Appropriation Bill, conference report on, agreed to, in the U.S. Representatives.—July 30.
- Elections, House Committee on, decides in the Florida election case in favor of Goodrich, and in the West Virginia case in favor of McGinnis, both Republicans.—July 18.
- Federal Election Bill passed in the U.S. Representatives by 155 to 149.—July 2.
- General Deficiency Bill, Mr. Sherman, in U.S. Senate, offers amendment to, appropriating \$50,000 for marking the Mexican boundary line, amendment referred.—July 30.
- Idaho admission bill passed in the Senate without a division.—July 1.
- Idaho admission bill, President Harrison signs the.—July 3.
- Land patents, U.S. Senate bill for the delivery of, to their rightful owners, reported and passed in the Senate.—July 2.
- Land Grant Forfeiture Bill passed in the U.S. Representatives.—July 17.
- Limited Postal Telegraph service, bill to establish, reported in the U.S. Senate and placed on the calendar.—July 29.
- Mormons, Mr. Morgan introduces a bill to the U.S. Senate, for the exclusion of, from public lands in Wyoming.—July 1.
- National Election Bill passes House of Representatives by 155 to 149.—July 2.
- Oklahoma, bill to authorize the leasing of school lands to the territory of, for the benefit of the public schools, passed in U.S. Senate.—July 1.
- "Original Package" Bill, U.S. Representatives pass the House Bill by 176 to 38, as a substitute for the Senate Bill.—July 22.
- Public debt reduced by \$20,683,726 in the month of June.—July 1.
- Silver Bill, conference report on, presented and read to the House of Representatives.—July 11.
- Tariff Bill, Senator Voorhees attacks the, in the U.S. Senate.—July 21.
- Treasury Department purchase bonds to the amount of \$3,838,050.—July 24.
- URUGUAY.—Montevideo Bourse closed.—July 7.
- Financial panic in Montevideo.—July 8.
- Government decrees a forced and guaranteed currency of National Bank notes for six months.—July 9.
- Attempt of the Government to force the circulation of paper money ends in a fiasco, gold at 34 premium.—July 22.
- Banco Naccional suspends specie payments.—July 6.
- Parliament passes a bill compelling the payment of one half the customs duties in gold.—July 28.
- Utah, Salt, Lake City school elections, Liberals carry a majority of the precincts.—July 14.
- Vivisection, Boston, Mass., movement started to secure the abolition of vivisection in all medical schools of Massachusetts, by stringent legal enactments.—July 23.
- West Indies, Guadeloupe, principal buildings in Port Louis destroyed by fire, many inhabitants lose all their effects and are entirely destitute, loss \$200,000.—July 1.
- Wissmann Baron, placed on the retired list, his health affected from rheumatism.—July 23.
- Woman Suffrage, the French Chamber of Deputies rejects Mr. Gaite's motion in favor of.—July 22.
- WORLD'S FAIR.—Chicago, Local Board of Directors of, decide, subject to the approval of the National Commission to hold the fair on the Lake front and at Jackson Park, Chicago.—July 1.
- National Commission at Chicago accepts the joint site consisting of Lake front and Jackson Park as a location for the Columbian Exposition by a vote of 18 to 11.—July 2.
- State Board of Agriculture appoint a committee to appear before the Illinois Legislature to present their objections to the Lake front as a site for the Fair.—July 22.
- Resolution introduced in the Illinois Legislature, declaring it to be the sense of the House that the W. F. should be held upon one site.—July 25.
- Illinois Legislature pass the act relating to the World's Columbian Exposition by 38 to 1.—July 30.
- Yellowstone National Park, Excelsior Geyser in a state of eruption, first time in two years, column of hot water rises from the crater, 300 feet high.—July 21.

THE ROYAL BLUE LINE

BETWEEN

New York & Washington

IS OPERATED BY THE

Jersey Central, Reading & B. & O. RR.s

VIA

PHILADELPHIA & BALTIMORE.

The entire equipment is brand new, and consists of the finest Baggage Cars, Coaches, Parlor and Sleeping Cars ever built by the Pullman Company.

The Trains are Vestibuled from end to end, and protected by Pullman's Improved

ANTI-TELESCOPING DEVICE.

All the Cars in all the Trains are

Heated by Steam and Lighted by Pintsch Gas,

Under devices controlled by the Safety Car Heating and Lightning Company of New York.

NO EXTRA FARE.

Passengers occupying Parlor Car Seats or Sleeping Car Berths will pay the ordinary charges for same.

This is the only line running trains from New York in

5 Hours to Washington.

TICKET OFFICES.—71, 261, 415, 944, 1140 and 1323 Broadway, 737 6th avenue, 264 West 125th street and 132 East 125th street.

Brooklyn.—4 Court st., 860 Fulton st. and 23 Broadway.

Station foot Liberty street, N.R.

There are many white soaps, each represented to be "just as good as the Ivory." They are not; but, like all counterfeits, they lack the peculiar and remarkable qualities of the genuine. Ask for Ivory Soap, and insist upon having it. Tis sold everywhere.

NATIONAL COLONIZATION LOTTERY

Under the patronage of the

REV. FATHER LABELLE.

Established in 1884, under the Act of Quebec, 32 Vict., Chapt. 36, for the benefit of the Diocesan Societies of Colonization of the Province of Quebec.

Drawings on the third Wednesday of every Month.

Tickets can be obtained until 12 o'clock noon of the day of the drawing. All orders received after that hour will be applied to next monthly drawing.

Prizes Value - \$50,000.00

Capital Prize: One Real Estate Worth \$5,000.00

LIST OF PRIZES

1	Real Estate worth	\$5,000.00	5,000.00
1	do	2,000.00	2,000.00
1	do	1,000.00	1,000.00
4	do	500.00	2,000.00
10	Real Estates	300.00	3,000.00
30	Furniture Sets	200.00	6,000.00
60	do	100.00	6,000.00
200	Gold Watches	50.00	10,000.00
1000	Silver Watches	10.00	10,000.00
1000	Toilet Sets	5.00	5,000.00

2307 Prizes worth \$50,000.00

TICKETS, \$1.00. 11 Tickets for \$10.00.

It is offered to redeem all prizes in cash, less a commission of 10 p.c.

Winners' names not published unless specially authorized.

For Tickets Address:

A. A. AUDET,

Secretary,

19 ST. JAMES ST., MONTREAL, CANADA.

Customs & Excise Tariff

With Tables of Foreign Exchange, Harbour Dues, etc., Corrected up to June 25th.

Price by Mail - 50c

MORTON, PHILLIPS & CO.,

Stationers, Blank Book Makers and Printers,

1755, 1757 Notre Dame Street, MONTREAL.

Liverpool & London & Globe Insurance Co'y.

Canada Board of Directors.

The HON. HENRY STARNES, Chairman.

EDMUND J. BARBEAU, Esq.

W. J. BUCHANAN, Esq.

ANDREW FREDERICK GAULT, Esq.

Amount Invested in Canada.....\$ 1,000,000

Assets over.....\$40,000,000

MERCANTILE RISKS accepted at the lowest current rates.

Churches, Dwelling Houses and Farm Properties insured at reduced rates.

Special attention given to applications made direct to the Montreal office.

G. F. C. SMITH,

Chief Agent for the Dominion.

Sub-Agents.—FRED. C. HENSHAW, FRED. NASH,

GEORGE C. HIAM, F. J. GILMAN,

Special Agent French Department, Cyrille Laurin.

Telephone—"Bell" No. 185. "Federal" No. 924.

D. APPLETON & CO'S

NEW BOOKS.

I.

Town and Country Library.

THROCKMORTON.

By MOLLY ELLIOT SEAWELL.

Paper cover, price, 50 cents.

Specially bound in cloth, price, \$1.00.

A New American Novel, presenting a strong study of contrasting characters, by an author intimately acquainted with her scene and background—the Virginia of the years immediately following the war.

II.

In and Out of Central America

And other Sketches and Studies of Travel.

By FRANK VINCENT,

Author of "Around and About South America," etc.

With Maps and Illustrations.

12mo, cloth. Price, \$2.00.

"Few living travelers have had a literary success equal to Mr. Vincent's."—Harper's Weekly.

D. APPLETON & CO., Publishers,

1, 3 & 5 Bond St., New York.

SICK

HEADACHE

CARTER'S Positively cured by these Little Pills.

LITTLE LIVER PILLS.

They also relieve Distress from Dyspepsia, Indigestion and Too Hearty Eating. A perfect remedy for Dizziness, Nausea, Drowsiness, Bad Taste in the Mouth, Coated Tongue, Pain in the Side, TORPID LIVER. They regulate the Bowels. Purely Vegetable.

SMALL PILLS.

SMALL DOSE.

SMALL PRICE.

LUBY'S FOR THE HAIR

*Restores the color,
beauty and softness to
Grey Hair, and*

IS NOT A DYE.

At all Chemists.

50 Cents a Bottle.

**TWO AND
ONE-HALF.
\$2.50
FLOWER POTS.**

**DERBY COLORS.
RICH DECORATIONS.
PRETTY SHAPES.**

*This a special price for a
few days only.*

WILEY'S,
1803 NOTRE DAME STREET.

Richelieu! Richelieu!
**PURE, - SPARKLING,
REFRESHING.**

The PRINCE of Table WATERS.

Endorsed by the leading
physicians of the country. For
sale at the Clubs, Restaurants
and principal Grocers.

Bell Telephone 1190.
Federal Telephone 554.

J. A. HARTE, Druggist,
780 NOTRE DAME STREET.

**USE
Montero
Cigars!**

They are the Best Selling Cigars
on the Market.

L. E. N. PRATTE,

1676 NOTRE DAME ST.,
MONTREAL,

SOLE AGENT FOR

Hazelton, Fischer, Dominion &
Eolian

PIANOS & ORGANS.

COD LIVER OIL.

384 ST. PAUL ST.

COD LIVER OIL, Norwegian,
in bulk.

COD LIVER OIL.

*IZDAHL, Pints and One-
Half Pints.*

COD LIVER OIL, Newfoundland

PURE GROUND SPICES.

PHARMACEUTICAL EXTRACTS

Lyman, Sons & Co.

Established 1800.

RARE AND BEAUTIFUL

* **FURNITURE**

Solid Mahogany, Walnut, Oak and Cherry Dining Room and Bedroom
Sets, Beautiful Parlor Sets, Groups of Handsome Parlor Chairs. Parlor
Cabinets, Desks and Ornamental Cabinet Work.

*Thousands of Dollars worth of Goods received late. Carpets,
Curtains, English Iron and Brass Bedsteads.*

Every conceivable article for beautifying and making home comfortable.
SUPERIOR workmanship and finish. No Culls. The newest, choicest
and greatest variety of beautiful furniture ever shown in the city. TO
SUIT anybody; to suit everybody.

High Caste or Low Caste, Doctors of Law or Divinity, Boodlers or
every day workers, come and see

FEE & MARTIN,

Palace Furnishing Store,

357 to 367 St. James St.

MACMILLAN & CO.'S
New Scientific Publications.

- ANDREWS.** The Scientific Papers of the Late Thomas Andrews, M.D., F.R.S. With a Memoir by P. G. Tait, M.A., and A. Crum Brown, M.D. 8vo, 514 pages. \$5.00.
- BALL.** A History of the Study of Mathematics at Cambridge. By W. W. Rouse Ball, Fellow and Lecturer of Trinity College, Cambridge. 12mo, 264 pages. \$1.90.
- CHAMBERS.** A Hand-Book of Descriptive and Practical Astronomy. By George F. Chambers, F.R.A.S. Vol. I. The Sun—Planets—and Comets. Fourth Edition. 8vo, 676 pages. \$5.25.
- CLARKE.** A Table of Specific Gravity for Solids and Liquids. (Constances of Nature, Part I.) New Edition, revised and enlarged. By Frank Wigglesworth Clark. Published by the Smithsonian Institute. 8vo, 409 pages. \$3.00.
- ECKER.** The Anatomy of the Frog. By Dr. ALEXANDER ECKER, Professor of the University of Freiburg. Translated, with numerous annotations and additions, by GEORGE HASLAM, M.D., and profusely illustrated with 250 wood engravings and 11 colored figures. Medium 8vo. \$5.25.
- FISHER.** Physics of the Earth's Crust. By the Rev. Osmond Fisher, M.A., F.G.S. Second edition, altered and enlarged. 8vo, 391 pages. \$3.50.
- FOSTER.** A Text Book of Physiology. By M. Foster, M.A., M.D., LL.D., F.R.S., With illustrations. Fifth Edition, largely revised. Part I., comprising Book 1. Blood—The Tissues of Movement—The Vascular Mechanism. 8vo, 352 pages. \$2.60.
- Part II., comprising Book 2. The Tissues of Chemical Action with their respective Mechanisms—Nutrition. 8vo, 494 pages. \$2.60.
- FOWLER.** A Year with the Birds. By W. Warde Fowler. With illustrations by Bryan Hook. Third Edition, enlarged. 12mo, 265 pages. \$1.25.
- Tales of the Birds. By W. Warde Fowler. With illustrations by Bryan Hook. Second Edition. 12mo, 240 pages. \$1.25.
- GALTON.** Natural Inheritance. By Francis Galton, F.R.S., Author of "Hereditary Genius," "Inquiries into Human Faculty," etc. 8vo, 259 pages. \$2.50.
- HORN.** Iron and Steel Manufacture. A Text-Book for beginners. By Arthur H. Horn. With illustrations. 16mo, 180 pages. \$1.00.
- LOCKYER.** Elementary Lessons in Astronomy. By J. Norman Lockyer, F.R.S. With illustrations and Colored Diagram. New Edition, revised throughout. 16mo, 363 pages. \$1.25.
- LODGE.** Modern Views of Electricity. By Oliver J. Lodge, D.Sc., LL.D., F.R.S. With illustrations. 12mo, 422 pages. \$2.00.
- LOEWY.** A Graduated Course of Natural Science. Experimental and Theoretical, for Schools and Colleges. Part I.—First Year's Course. By Benjamin Loewy, F.R.A.S., etc. 16mo, 152 pages. 60 cts.
- MELDOLA.** The Chemistry of Photography. By Raphael Meldola, F.R.S., etc. With illustrations. 12mo, 382 pages. \$2.00.
- MILL.** An Elementary Class-Book of General Geography. By Hugh Robert Mill, D.Sc., F.R.S.E. 12mo, 382 pages. 90 cents.
- PRICE.** A Treatise on Infinitesimal Calculus; containing Differential and Integral Calculus, Calculus of Variations, Applications to Algebra and Geometry, and Analytical Mechanics. By Bartholomew Price, M.A., F.R.S., F.R.A.S. Vol. IV. Dynamics of Material Systems. Second Edition. 8vo, 689 pages. \$4.50.
- THOMSON.** Popular Lectures and Addresses. By Sir William Thomson, LL.D., F.R.S., F.R.S.E., etc. In three volumes. Vol. I. Constitution of Matter. With illustrations. 12mo, 460 pages. \$2.00.
- WALLACE.** Darwinism. An Exposition of the Theory of Natural Selection. With some of its Applications. By Alfred Russel Wallace, Author of the "Malay Archipelago," etc., etc. With Maps and illustrations. 12mo, 494 pages. \$1.75.
- WARD.** Timber and some of its diseases. By H. Marshall Ward, M.A., F.R.S., F.L.S. With illustrations. 12mo, 295 pages. \$1.75.
- WATSON and BURBURY.** The Mathematical Theory of Electricity and Magnetism. By H. W. Watson, D.Sc., F.R.S., and S.H. Burbury, M.A. Vol. I. Electrostatics. 8vo, \$2.75. Vol. II. Magnetism and Electrodynamics. 8vo, 256 pages. \$2.60.
- WEISMANN.** Essays upon Heredity and Kindred Biological Problems. By Dr. August Weismann, Professor in University of Freiburg, in Breisgau. Authorized Translation. Edited by E. B. Poulton, M.A., F.L.S., F.G.S., Selmar Schönland, Ph.D., and A.E. Shipley, M.A., F.L.S. 8vo, 455 pages. \$4.00.

WHITE. A Text-Book of General Therapeutics. By W. Hale White, M.D., F.R.C.P. With illustrations. 12mo. 371 pages. \$2.50.

MACMILLAN & CO.'S Complete Catalogue of Publications will be sent free, by mail, to any address on application.

MACMILLAN & CO.,
Publishers.
112 Fourth Avenue, New York.

ESTABLISHED 1854.

PHENIX INSURANCE CO.

Of Hartford, Conn.

Cash Capital - \$2,000,000.

CANADA BRANCH HEAD OFFICE

114 ST. JAMES STREET, MONTREAL.

GERALD E. HART,
General Manager.

A share of your fire insurance is solicited for this reliable and wealthy company, renowned for its prompt and liberal settlement of claims.

CYRILLE LAURIN,
G. MAITLAND SMITH,
Montreal Agents.

MONEY TO LOAN

at all times, on first-class city property. Low interest and very favorable terms for repayment.

SUN LIFE ASSURANCE COMPANY
OF CANADA.

R. MACAULAY,
Managing Director,
164 St. James Street, Montreal.

THE ROYAL CANADIAN

FIRE & MARINE INSURANCE CO.,

157 St. James Street,

MONTREAL.

Capital \$500,000

Assets 700,000

Income, 1885 517,678

DUNCAN McINTYRE, Esq., President.

HON. J. R. THIBAudeau, Vice-President
for City and District of Montreal.

HARRY CUTT, ARCHD. NICOLL,
Secretary. Marine Underwriter.

GEO. H. MCHENRY, Manager.


M. J. E. DROLET.

MONEY TO LOAN

On MORTGAGES, CITY PROPERTY, at current rates.

MACINTOSH & HYDE,

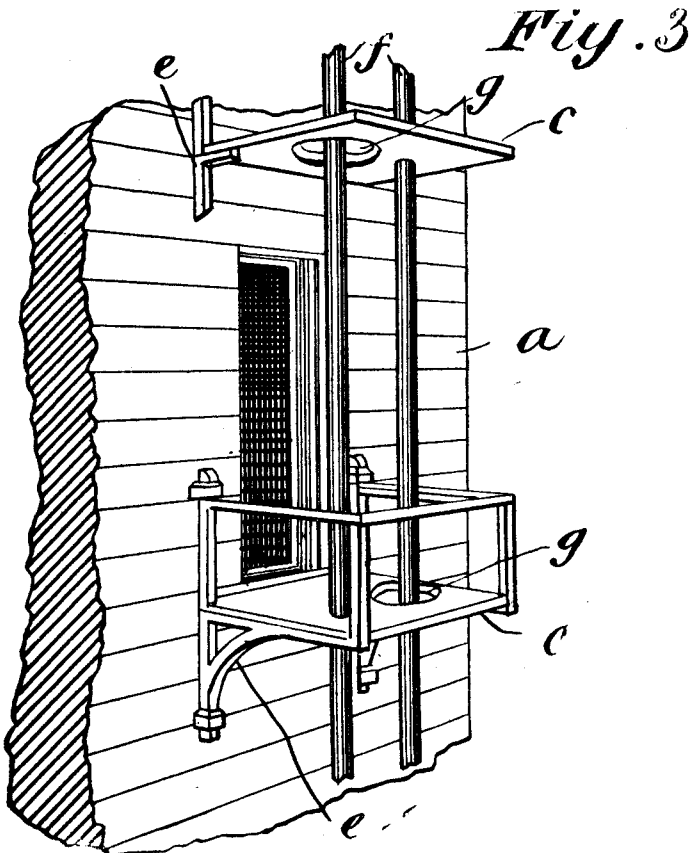
ACCOUNTANTS,
STANDARD BUILDING,
157 St. James Street.


 WHEN
 YOU * ARE * READY
 To order any more
BINDING
PLEASE CALL UP
TELEPHONE * 230
 Or send a POSTAL CARD to
JOHN LOVELL & SON,
 23 & 25 St Nicholas St., Montreal.


READY, RAPID & RELIABLE FIRE ESCAPE.

The Best, Safest and Quickest Means of Emptying School and other Dormitories in Case of Fire.

The accompanying cut exhibits the essential features of the contrivance, which may be adapted either to the interior or to the exterior of a building, but preferably to the latter, so as to create no draught for flame or smoke. *C c* represent the floor, or, as in the present diagram, platforms, which may assume the form of an ornamental balcony. These platforms are secured to the walls by suitable brackets *e e*. Two vertical shafts *f* pass through the



floors or staging from the roof to the ground; *g g* are circular openings which alternate from one side to the other at each succeeding landing. The landing to be placed before a window at every story.

The shaft to the left of *f*, and which is secured to the next platform above (not shown in the figure), is firmly clasped, not with the hands, but with the legs and arms, and the person slides down the shaft to the next landing below, regulating with ease, by the pressure of his limbs, the rapidity of the descent.

Inventor and Patentee,
Rev. ARTHUR JONES,
 St. Mary's College, MONTREAL.

The Index of Current Events is published by Henry Dalby at 1833 Ontario Street.

FEDERAL TELEPHONE CO.

(LIMITED).

Telephone Engineers

Manufacturers of every Description of Telephone Apparatus.

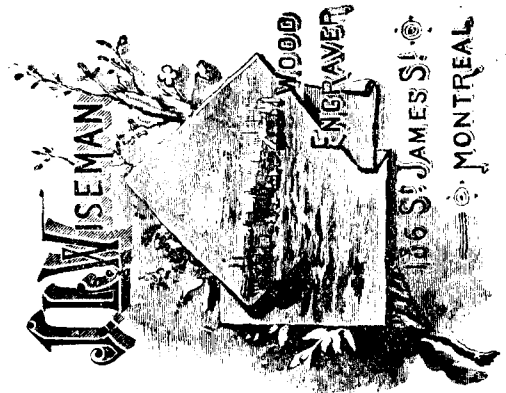
No Royalties; all Apparatus Sold Outright.

Wm. Cassils, Jas. A. Wright,
President. *Manager.*

HEAD OFFICE:

11 St. Sacrament St., MONTREAL.

Photo - Engraving.



Pen Drawing & Map Etching.

The Index of Current Events.

The subscription, \$6 per annum payable yearly in advance, includes a bound copy at the end of each year. Remittances should be made to

HENRY DALBY,
 P. O. Box 864,

MONTREAL, Que.