

MAKE BIG DRIVE FOR MISS MONTREAL AT FETE THIS EVENING

**Bonfire, Guard of Honor and a Lot More in Big
Time at Mount—Only One Judge so Far
Chosen—Moncton to Select Queen on Monday.**

(Special to Times)
Montreal, Feb. 8.—It now appears that the judges in the Miss Canada contest will not be named by the Winter Sports Committee until Saturday night when the winner will be announced at the in the Windsor Hotel. Donat Raymond, chairman of the committee, said the judges will be three prominent citizens of Montreal, but the names will not be announced until the night the winner is selected. It is felt that by considering the various candidates incognito the judges will be in better position to observe the claims of each contender for the title. One judge whose name is being withheld, has already been appointed and has accepted the position by observation. It was intimated that the contest of two other judges had not been agreed up to last night.

MAKE BIG TIME FOR MISS MONTREAL

Now recovered from a touch of the grippe at the beginning of the week, Miss Montreal will join her fellow candidates in the Miss Canada contest tonight at the "Fete" at the Mount Royal with a demonstration by local supporters. In a sleigh drawn by six horses she will depart at eight o'clock for the Park Slide on the mountain. Members of the Montreal Snowshoe Club to the number of 400 will be present at the fete. The parade will start at 8.30 and will be accompanied by the usual snowshoe stunts. Miss Montreal will be driven to the Park Slide. At 8.30 tonight the procession will leave La Press Building, corner of St. Lawrence and St. James streets. La Press being the house of Miss Gabrielle Rivet, who won the Miss Montreal title. The parade will pass up St. Lawrence street, turn west in St. Catherine street and proceed up Guy street to the Park Slide.

"Fireworks will be set off at nearly an hour, and an immense bonfire will shoot sparks and blaze into the air. Two hundred barrels of fireworks will be used, and efforts will be made to secure another fifty-five hundred more. The fireworks will be set off from a platform on the Park Slide, and will be directed by Mr. Fred Foster. The fireworks will be set off at 8.30 o'clock. Chimes will be played on the slide and illuminate the slide, and tobogganing and other sports will continue during the programme.

All To Be There

All of the out-of-town candidates are due to leave their hotels in sleighs for Mount Royal about eight o'clock. With two exceptions, all of the contestants were present at the McGill-University of Montreal hockey match at the Arena, and Miss Montreal faced the puck at the beginning of the game. At the park slide, Miss Winnipeg and Miss Regina took part in the preliminary races of the park tobogganing slide, and with their partners won their heats in the mixed double, and will therefore compete in the finals of the races on Saturday.

MAKE DRIVE FOR MISS MONTREAL

The liveliest interest is being evinced in the outcome of the Miss Canada contest. The last two days has disclosed a decided effort on the part of the Montreal press to feature Miss Montreal, who, though a very charming little lady, has not been participating in the various appointed tests laid down in the past few days, due to some measure of illness.

Miss Winnipeg's stock has developed considerably because of her out door activities and personality, but this may be offset tomorrow when the other girls, including Miss St. John, have their skating tests on the M. P. A. A. rink. On this occasion Miss St. John will wear her official costume, the gift of the Times.

Generally speaking the contest seems to have narrowed down to three or four contestants, among whom is included Miss St. John. The general comment is highly favorable to the Winter Sport girl, whose striking deportment, amiability and carriage com-

NEW CANADIANS IN SASKATCHEWAN



The contribution of one foreign-borne mother to the population of Canada is seen in this picture of an emigrant woman from southern Europe, and her four Canadian sons. The problems of immigration are among the biggest now facing the Dominion.

CITY WILL WELCOME QUEENS AND SKATERS AT DEPOT

Official Reception on Monday, When Train Pulls in—Council Gives Gold Watch for Highest Points Winner at Meet.

Mayor Fisher was authorized at a meeting of the Common Council this morning to arrange that he and other members of the City Council appear at the Union Depot on the arrival of the skating party, which is expected to arrive on Monday and will be met by the Mayor and other officials.

England Joyous Over New Babe

**Newspapers Give a Lot of Space
To Happy Event—Princess
Mary a Mother.**

London, Feb. 8.—King George and Queen Mary are grandparents today, and Britain rejoices with them. A son was born to the family of the Duke of Devonshire, the Duke and Duchess of Devonshire, at 10, Grosvenor Gardens, London, at 10 o'clock this morning.

WIFE OF MURDERED RECTOR SAILS FOR REST IN ITALY

New York, Feb. 8.—Mrs. Frances Stevens Hall, widow of the Rev. Edward Wheeler Hall, Episcopal rector, who was slain with Mrs. Eleanor R. Mills beneath a crabapple tree on the outskirts of New Brunswick, N. J., nearly six months ago, sailed yesterday for Rome on the steamer "Carnegie" to visit her husband's grave.

BLOW UP BANK OFFICE; FAIL TO GET ANY MONEY

Vancouver, B. C., Feb. 8.—Determined to rob two safes at the Royal Bank at Steveston on the Fraser River, yesterday, failed, but the office was wrecked by explosives. Telephone wires were cut and the little fishing village was terrorized by shots fired by the robbers.

MAINE CREW RESCUED OFF COBB'S ISLAND

Philadelphia, Feb. 8.—Fifteen members of the crew of the schooner Frank M. Deering were rescued by coast guards off Cobb's Island, Va., on Tuesday, after the vessel had gone aground in a storm. The Deering was bound from Bath, Maine, for Norfolk, in Baltimore. The crew will be sent to Baltimore.

OTTAWA DOCTOR DEAD VICTIM OF PNEUMONIA

Ottawa, Ont., Feb. 8.—After only a five day illness, Dr. Chas. E. Preston, a prominent physician, died from pneumonia last night. He was 38 years old. He saw service overseas.

WIND AND WAVES MAKE SPORT OF GIANT INNERS

Rochambeau and Olympic Decks Swept—Millionaires Charter Mauretania for a Voyage.

New York, Feb. 8.—A violent storm which for twelve hours hurled waves sixty feet high over the top deck of the French liner Rochambeau and swept a life raft overboard, forced the vessel to change its course to the south. Capt. Aubert said yesterday, when the ship arrived. He said it was his worst experience in twenty years.

IRREGULAR BANDS ACTIVE IN THRACE

Sofia, Feb. 8.—Advices from the frontier declare the activity of irregular bands in Thrace is on the increase, and that several Greek military posts along the Maritza and the interior were occupied by the Bulgarians during the night.

ASK PLACE IN CITY EMPLOY FOR CHARLIE GORMAN

Delegation from Gyro Club at City Hall Meets With Sympathetic Reception.

A delegation from the Gyro Club appeared before the City Council this morning to request that, if possible, employment be found in the city employment office for Charlie Gorman, the blind man who lost his eyes during the winter.

PRIZE MONEY FOR CANADIAN NAVAL MEN

Ottawa, Feb. 8.—(Canadian Press).—The Canadian naval authorities are distributing more than \$400,000 in prize money growing out of the seizure of German submarines during the war. There are 8,070 officers and men who served in the Royal Canadian Navy and auxiliary services during the war.

ST. JOHN NATIVE DEAD IN MONCTON

John M. O'Connell, Employee of J. A. Marvin Company, Leaves Sister in This City.

Moncton, N. B., Feb. 8.—The death of John M. O'Connell occurred at one o'clock this morning at his residence, 131 Cornhill street, after an illness of cancer of the liver lasting nearly two years.

WIFE OF MURDERED RECTOR SAILS FOR REST IN ITALY

New York, Feb. 8.—Mrs. Frances Stevens Hall, widow of the Rev. Edward Wheeler Hall, Episcopal rector, who was slain with Mrs. Eleanor R. Mills beneath a crabapple tree on the outskirts of New Brunswick, N. J., nearly six months ago, sailed yesterday for Rome on the steamer "Carnegie" to visit her husband's grave.

WIFE OF MURDERED RECTOR SAILS FOR REST IN ITALY

New York, Feb. 8.—Mrs. Frances Stevens Hall, widow of the Rev. Edward Wheeler Hall, Episcopal rector, who was slain with Mrs. Eleanor R. Mills beneath a crabapple tree on the outskirts of New Brunswick, N. J., nearly six months ago, sailed yesterday for Rome on the steamer "Carnegie" to visit her husband's grave.

WIFE OF MURDERED RECTOR SAILS FOR REST IN ITALY

New York, Feb. 8.—Mrs. Frances Stevens Hall, widow of the Rev. Edward Wheeler Hall, Episcopal rector, who was slain with Mrs. Eleanor R. Mills beneath a crabapple tree on the outskirts of New Brunswick, N. J., nearly six months ago, sailed yesterday for Rome on the steamer "Carnegie" to visit her husband's grave.

BRITISH AND FRENCH AT SMYRNA TO FIGHT IF ATTACKED BY TURKS

Superdreadnaughts at Mytilene Ready for Dash Across But London Believes Turkish Ultimatum Will be Withdrawn—Meantime Another is Extended Another Day.

London, Feb. 8.—Orders to the French and British warcraft at Smyrna to defend themselves if attacked by the Turks is the answer of the Paris and London governments to the Turkish ultimatum demanding the withdrawal of the vessels.

WASTE HOVT TO STAY; IS HAPPY

Star Pitcher Did Not Want to Leave Yankees

New York, Feb. 8.—Walter Hoyt, star pitcher of the Yankees, is happy because the proposed deal whereby Eddie Collins, second baseman of the White Sox, will come to New York, has not been completed. Hoyt arrived in New York yesterday from San Francisco, the first of the Yankees' exhibition games against local clubs in Japan, China and the Philippines.

WASTE HOVT TO STAY; IS HAPPY

Star Pitcher Did Not Want to Leave Yankees

New York, Feb. 8.—Walter Hoyt, star pitcher of the Yankees, is happy because the proposed deal whereby Eddie Collins, second baseman of the White Sox, will come to New York, has not been completed. Hoyt arrived in New York yesterday from San Francisco, the first of the Yankees' exhibition games against local clubs in Japan, China and the Philippines.

WASTE HOVT TO STAY; IS HAPPY

Star Pitcher Did Not Want to Leave Yankees

New York, Feb. 8.—Walter Hoyt, star pitcher of the Yankees, is happy because the proposed deal whereby Eddie Collins, second baseman of the White Sox, will come to New York, has not been completed. Hoyt arrived in New York yesterday from San Francisco, the first of the Yankees' exhibition games against local clubs in Japan, China and the Philippines.

WASTE HOVT TO STAY; IS HAPPY

Star Pitcher Did Not Want to Leave Yankees

New York, Feb. 8.—Walter Hoyt, star pitcher of the Yankees, is happy because the proposed deal whereby Eddie Collins, second baseman of the White Sox, will come to New York, has not been completed. Hoyt arrived in New York yesterday from San Francisco, the first of the Yankees' exhibition games against local clubs in Japan, China and the Philippines.

WASTE HOVT TO STAY; IS HAPPY

Star Pitcher Did Not Want to Leave Yankees

New York, Feb. 8.—Walter Hoyt, star pitcher of the Yankees, is happy because the proposed deal whereby Eddie Collins, second baseman of the White Sox, will come to New York, has not been completed. Hoyt arrived in New York yesterday from San Francisco, the first of the Yankees' exhibition games against local clubs in Japan, China and the Philippines.

WASTE HOVT TO STAY; IS HAPPY

Star Pitcher Did Not Want to Leave Yankees

New York, Feb. 8.—Walter Hoyt, star pitcher of the Yankees, is happy because the proposed deal whereby Eddie Collins, second baseman of the White Sox, will come to New York, has not been completed. Hoyt arrived in New York yesterday from San Francisco, the first of the Yankees' exhibition games against local clubs in Japan, China and the Philippines.

WASTE HOVT TO STAY; IS HAPPY

Star Pitcher Did Not Want to Leave Yankees

New York, Feb. 8.—Walter Hoyt, star pitcher of the Yankees, is happy because the proposed deal whereby Eddie Collins, second baseman of the White Sox, will come to New York, has not been completed. Hoyt arrived in New York yesterday from San Francisco, the first of the Yankees' exhibition games against local clubs in Japan, China and the Philippines.

As Hiram Sees It

Irregular Bands Active in Thrace

Ask Place in City Employment for Charlie Gorman

Prize Money for Canadian Naval Men

Waste Hoyt to Stay; is Happy

Waste Hoyt to Stay; is Happy

Waste Hoyt to Stay; is Happy

Waste Hoyt to Stay; is Happy

THE EVENING TIMES AND STAR, ST. JOHN, N. B., THURSDAY, FEBRUARY 8, 1923

IN IRELAND

Tunnel to Dublin Castle is Found-Irregulars are Surrendering in West Meath.

Dublin, Feb. 8.—The Senate after a strong speech by President Cosgrave of the Dail yesterday sustained by a large majority the government policy of withdrawing the house subsidies from the Dublin Corporation so long as the corporation pays its interest on mortgages.

PERSONALS

Harold B. Gault left for Montreal last night. Rev. William McLaughlin, C. S. R., and Rev. Andrew McCann, C. S. R., two Redemptorist Fathers, left here this afternoon en route to Newfoundland to conduct missions until May.

CLAYTON CO.

Successors to M. N. POWERS Undertakers, Licensed Embalmer 67 Princess St. Phone M. 718

NOTICES OF BIRTHS, MARRIAGES AND DEATHS, 50 CENTS

BIRTHS

JENNNER—To Mr. and Mrs. H. B. Jenner, 177 Prince William street, on February 7, 1923, a son.

DEATHS

PURCELL—On Feb. 4, 1923, the death of Mrs. Amy Purcell occurred at Birmingham, England, after a lingering illness. She leaves to mourn one son, William, and one daughter, Rose, both residing in Fairville. Mrs. Purcell was the daughter of the late Colonel Thet of Birmingham, Eng.

IN MEMORIAM

GIBSON—In sad but loving memory of Mrs. Alfred N. Gibson, who entered into rest February 5, 1923.

CARD OF THANKS

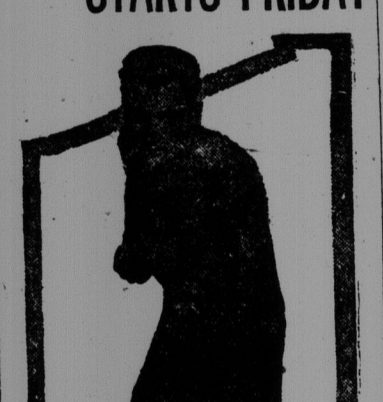
Ernest H. Willis and family wish to thank their many friends for kindness and sympathy in their recent sad bereavement.

DON'T MISS THIS Furniture Sale

Advertisement for Amland Bros., Limited furniture sale. Includes details about various furniture items like extension tables, dining room sets, and parlor suites.

GOOD THINGS COMING TO THE THEATRES OF ST. JOHN

SPORTING SERIES STARTS FRIDAY



THE LEATHER PUSHERS' STARRING REGINALD DENNY

People who like red-blooded sport and enjoyed greatly the first series of "Leather Pushers" stored at Imperial theatre will be glad to know that the series are to be resumed this week-end with a brand new series of six detached and separate yarns. They are all poppy and filled with sporting parlance and little battles.

LOCAL NEWS

Band Arena tonight. Arena Friday night, expected, vs. St. John. Sensational game, expected, game starts 8:15.

George Dropped Into Poetry

Intimate Exchanges Between Joseph and Pauline Frederick Disclosed in Court.

COASTER KYLE IN A BAD WAY

Steam and Hand Steering Gear Disabled and Badly Iced Up—Second Officer Lost Life.

PRESENTATION MADE MRS. R. J. HOOPER

The St. John branch of the Women's Institute met yesterday afternoon at the residence of Mrs. W. Frank Rowe, Leinster street, the president, Mrs. T. N. Vincent in the chair.

KIRKPATRICK-ROBERTS

A wedding of interest to friends in St. John and Robeson took place yesterday morning at 11 o'clock in St. Paul's church, Robeson, when Rev. Canon A. W. Daniel united in marriage Miss Mary Ellen Roberts, daughter of Mr. and Mrs. Walter Roberts of Fair Vale, and Samuel Young Kirkpatrick. The bride, who was attended by her bridesmaids in navy blue canton crepe with feather hat to match, Mr. and Mrs. Kirkpatrick have the best wishes of many friends.

COLD AGAIN

The lowest mark registered at the Meteorological Observatory in Douglas avenue this morning was six and a half degrees below zero. There was only light wind blowing, but a dampness in the air made the cold much more intense. It was 26 below in Hampton early this morning.

FOR HALIFAX UNEMPLOYED.

Halifax Chronicle: At the meeting of the finance committee of the City Council yesterday, accounts amounting to \$1,600 were passed for recommendation to the Council. The committee recommended also the borrowing of \$10,000 to assist in the relief of the unemployed, this amount to be disbursed through the Civic Relief Committee.

BLIZZARD IN WEST.

Q'Appelle, Sask, Feb. 8.—Q'Appelle and district was yesterday the centre of the worst blizzard of the last decade, according to official recordings at the weather bureau here, which showed a wind velocity of more than forty miles an hour at times.

Irish Football.

Belfast, Feb. 8.—(Canadian Press)—In a first round Irish Association cup replay yesterday Glentworth defeated Brantwood 4 to 1.

Moncton, N. B., Feb. 8.—At Bathurst last night there was no competition for the McEllen Cup on account of the Meccan curfew defaulting. The North Shore bonspiel opened there today and will continue tomorrow.

NEW LAMP BURNS 94% AIR

Beats Electric or Gas. A new oil lamp that gives an amazingly brilliant, soft, white light, even better than gas or electricity, has been tested by the U. S. Government and 35 leading universities and found to be superior to 10 ordinary oil lamps. It burns without odor, smoke or noise, no pumping up, is simple, clean, safe. Burns 94 per cent. air and 6 per cent. common kerosene (coal oil).

LUDENDORFF ON RUHR SITUATION

Says Whole of Europe is Bound to Suffer from Effects

Vienna, Feb. 8.—The German General Ludendorff, who, on his way to Vienna, was assaulted by workers at Klagenfurt and not permitted to deliver an address, discussed the situation in the Ruhr in an interview published by the Wiener Allgemeine Zeitung. "It is a mistake," he said, "to think that these events in the Ruhr are a violation of German affairs. The whole of Europe is bound to suffer from their effects. I have no connection with the Berlin Government and consequently am not able to judge if the persistent reports of a Russo-German accord are true. I only know that such a combination would be a great misfortune for Europe.

BURIED TODAY.

The funeral of Mrs. Barbara Corbett was held this morning from her late residence, Paradise Row, to the Union Station. The body was taken to Westford for interment in the family lot there. Service at the house last night was conducted by Rev. H. B. Clark.

Doucett, in Gloucester, by Acclamation

Bathurst, N. B., Feb. 8.—J. Andre Doucett, councillor for Paquetville, was declared elected by acclamation here today by Sheriff Meahan, returning officer in the provincial by-election in Gloucester County.

CONDENSED NEWS

The Watana mines are to be started again on March 1 with 1,400 men at work.

WANT MAYOR TO RETAIN OFFICE IN FREDERICTON

(Special to Times.) Fredericton, N. B., Feb. 8.—A resolution urging Mayor J. A. Reid to consent to nomination for another term is being circulated and many are signing. It is probable that an effort will be made to have Alderman G. H. Clark reconsider his decision to withdraw from civic politics. Other aldermen who have announced retirement, also are being urged to reconsider.

Liquor Tax Case To Supreme Court

(Special to Times.) Fredericton, N. B., Feb. 8.—The case against the Security Export Company, in which the Province of New Brunswick seeks to collect \$22,000 in taxation on liquor exported from this province by the company, has been appealed to the Supreme Court of Canada.

Stuart Home; It's a Surprise

(Special to Times.) Fredericton, N. B., Feb. 8.—Hon. J. P. Byrne has received from J. S. Martin, M. P. for Northumberland, a communication advising him of the return of Millard Stuart, who was convicted about a year ago of shooting Rose.

Freshly Roasted COFFEE

Advertisement for Humphrey's Coffee Store. Lists prices for 44c, 54c, 60c coffee and mentions retail at 14 King Street.

LOCAL NEWS

THE TRAINS. The Boston train was reported running two hours and a half late today. As there is no train out for Halifax tonight the C. N. R. decided to hold No. 14 due to leave the city at 1:40 until the arrival of the Boston.

REV. W. D. WILSON HERE

Rev. W. D. Wilson, who recently resigned as field secretary of the New Brunswick Temperance Alliance, arrived in the city today from Fredericton. With reference to his acceptance of a call to the Baptist church in Middleton, N. S., he said he would take over his new duties at the first of March. A meeting of the council of the Temperance Alliance will be held soon.

GOING TO ENGLAND.

The Canadian Pacific steamship Montreal will sail tomorrow for Liverpool with 220 passengers, 123 cabin and 123 third class. Among the cabin passengers will be George and Lady Bury of Montreal, Lt.-Col. J. R. Gordon of Niagara Falls, Ont.; Captain H. V. Murray of Harry Sound, Ont., and Charles Jamieson and A. R. Currie of this city.

MRS. ROBERT CLAYTON

The death of Mrs. Robert Clayton occurred on Tuesday at her home, 18 Erin street. She leaves her husband, four sons, Robert of Springfield, Mass., Thomas of Cambridge, Mass., and William and Leslie of St. John; one daughter, Mrs. William Donaldson of St. John; also one brother and three sisters. The funeral will be held on Friday afternoon at 2 o'clock from her late residence.

BURIED TODAY.

The funeral of Mrs. Barbara Corbett was held this morning from her late residence, Paradise Row, to the Union Station. The body was taken to Westford for interment in the family lot there. Service at the house last night was conducted by Rev. H. B. Clark.

Walnut and \$90 Less

In Solid Oak you see Dining Room Suites worth \$135 for \$98.75. And here is another sample price—a nine-piece Queen Anne Walnut Suite—genuine Walnut, Spanish leather on the chairs, 48-inch table width, 54-inch buffet width. Three section mirror to buffet and solid mahogany interiors, felt cutlery drawers, solid length middle drawer for Jewels and one for linen. \$248 lower down. \$338 Marquis value—Sale.

g. Marcus Furniture, Rugs

30-36 DOCK ST.

WANT MAYOR TO RETAIN OFFICE IN FREDERICTON

(Special to Times.) Fredericton, N. B., Feb. 8.—A resolution urging Mayor J. A. Reid to consent to nomination for another term is being circulated and many are signing.

Radio Club Plans a Drive for Members

The Radio Club met last night in the Board of Trade rooms with W. R. Longue presiding. Mr. Turner, wireless operator of the Canadian Pacific Steamships, Ltd., told of some interesting experiences. W. J. Coulten, government wireless inspector and J. J. Thompson, Marconi wireless inspector for ships, gave some helpful suggestions.

MONTEALIAN WINS HONORS ON THE ICE

Moncton, N. B., Feb. 8.—At the Edmonton carnival recently one of the entrants was Gordon H. Thompson, a former Moncton boy, son of Mr. and Mrs. J. R. Thompson. He left here about twelve years ago and is now one of the biggest drawing cards for ice skating.

FOR HALIFAX UNEMPLOYED.

Halifax Chronicle: At the meeting of the finance committee of the City Council yesterday, accounts amounting to \$1,600 were passed for recommendation to the Council. The committee recommended also the borrowing of \$10,000 to assist in the relief of the unemployed, this amount to be disbursed through the Civic Relief Committee.

BLIZZARD IN WEST.

Q'Appelle, Sask, Feb. 8.—Q'Appelle and district was yesterday the centre of the worst blizzard of the last decade, according to official recordings at the weather bureau here, which showed a wind velocity of more than forty miles an hour at times.

Irish Football.

Belfast, Feb. 8.—(Canadian Press)—In a first round Irish Association cup replay yesterday Glentworth defeated Brantwood 4 to 1.

Moncton, N. B., Feb. 8.—At Bathurst last night there was no competition for the McEllen Cup on account of the Meccan curfew defaulting.

CONDENSED NEWS

The Watana mines are to be started again on March 1 with 1,400 men at work.

WANT MAYOR TO RETAIN OFFICE IN FREDERICTON

(Special to Times.) Fredericton, N. B., Feb. 8.—A resolution urging Mayor J. A. Reid to consent to nomination for another term is being circulated and many are signing.

Liquor Tax Case To Supreme Court

(Special to Times.) Fredericton, N. B., Feb. 8.—The case against the Security Export Company, in which the Province of New Brunswick seeks to collect \$22,000 in taxation on liquor exported from this province by the company, has been appealed to the Supreme Court of Canada.

Stuart Home; It's a Surprise

(Special to Times.) Fredericton, N. B., Feb. 8.—Hon. J. P. Byrne has received from J. S. Martin, M. P. for Northumberland, a communication advising him of the return of Millard Stuart, who was convicted about a year ago of shooting Rose.

Freshly Roasted COFFEE

44c, 54c, 60c. Retail at 14 King Street. Humphrey's Coffee Store.

Large advertisement for j. Marcus Furniture, Rugs. Features 'FIRST AND FINAL FURNITURE SALE!' and 'One Sale a Year, and a Good One'. Lists various furniture items like brass beds, mattresses, and dining room suites with prices and descriptions.

Advertisement for Golds Grip and Bromo Quinine. Includes text: 'Fortify the system against Golds, Grip and Influenza by taking Lexative Bromo Quinine tablets'. Also mentions 'Be sure you get BROMO C. W. Brown Made in Canada'.

Advertisement for Freshly Roasted Coffee. Lists prices for 44c, 54c, 60c coffee and mentions retail at 14 King Street. Humphrey's Coffee Store.

LOCAL NEWS

New designs of stamped mat bottoms at Bassett's, 14-18 Charlotte. Band Friday night, Carleton rink. 9:15-9-10. 15 bands Thursday night, Carleton rink. 9:00-9-9.

Feel my fingers

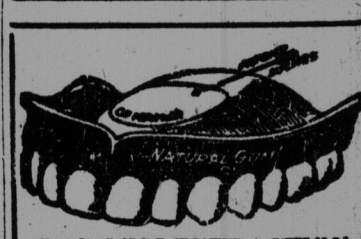
When the cold "gets through, your gloves," take a cup of hot BOVRIL. BOVRIL warms you to the tips of your fingers and toes. It maintains vitality - "prevents that sinking feeling" - and increases the power to resist the attacks of colds, chills, and influenza.

Hot BOVRIL

Colonial Fire Polished Glassware

A clear Crystal pleasing effect. We are specializing on two assortments each containing 24 useful items. Your choice. 65c. and 95c. each. See our window display.

O. H. WARWICK CO., Limited 78-82 KING ST



PAINLESS EXTRACTION Only 25c

We make the BEST TEETH in Canada at the Most Reasonable Rates

Boston Dental Parlors Head Office: 527 Main St. Branch Office: 35 Charlotte St. Phone 633. Phone 38. DR. J. D. MAHER, Prop. Open 9 a.m. - 9 p.m.

PASS EXAMINATIONS AS PHARMACISTS

The results of the January examinations of the New Brunswick Pharmaceutical Society which were held in the rooms of the Natural History Society on Jan. 30, 31 and Feb. 1, were announced last night as follows: Passed in all subjects—Henry McDonald, Moncton; Frank C. Cawley, St. John, West.

Harry P. Forestall's 198 Rockland Road

Friday, Saturday, Monday

- 98 lb. Bag Flour \$4.00 24 lb. Bag Flour \$1.10 10 lb. Lantic Granulated Sugar 87c 6 lb. Tin Pure Fruit Jam 48c 1 lb. Tin Pure Strawberry Jam 70c 1 lb. Package Todhunter's Pure Cocoa 20c 2 Packages for 1 lb. of over 45c per lb. 1 lb. Tin Dearborn's Baking Powder 35c 2 lb. Package Sunflower Seed 35c 3 lb. Tin Domestic Shortening 50c 5 lb. Tin Domestic Shortening 83c Our Special Orange Pekoe Tea, lb. 45c Gallon Can Apples 38c Finest French Raisins, per tin 30c Old English Golden Syrup, per tin 30c Sun-Maid Raisins, seedless and seeded 18c

25c SPECIALS

- 2 Bottles Pickled Beets 25c 2 lbs. Icing Sugar 25c 2 lbs. Lump Sugar 25c 3 Packages Sherbert's Jelly Powder 25c 3 Packages Jello 25c 2 Packages Lipton's Jelly Tablets 25c 3 Packages Babbitt's Clear 25c 3 Packages Snowflake Ammonia Powder 25c 6 Bars Laundry Soap 25c 4 Cakes Fancy Toilet Soap 25c 2 Tins Lombard Plums 25c 12 Tin Fancy Peaches 25c 1 1/2 lb. Tin Peas 25c 2 Bottles Ketchup 25c 3 Packages Parsline 25c 3 Packages Kleenox 25c 3 Packages Macaroni 25c 2 Bottles Mother's Jam 25c 3 Bags Fine Salt 25c 12 Cans White Beans 25c 2 Cans Corn 25c 3 lbs. Split Peas 25c 1 lb. Choice Rice 25c 1 lb. Fancy Patna Rice 25c 5 lbs. Buckwheat 25c 1 lb. Granulated Corn Meal 25c 4 lbs. Barley 25c 9 lbs. Best Onions 25c 1 lb. Choice Rice 25c 2 Tins Egg Powder 25c 2 Packages Shredded Potatoes 25c 1 lb. Choice Rice 25c Extra Choice Delaware Potatoes, per barrel \$2.25 1 1/2 Barrels Delaware Potatoes, per barrel \$1.15 2 Pkg. Raisins 25c Try our Meat Department for choice cuts of Western Beef, Young Pork and Lard. Fresh Herring—Fresh Halibut—Fresh Store open Friday evening. Order early and you will greatly help us in taking your service. Delivery to all parts of the City. Phone 4167.

Cutaway Frocks or Morning Coats

YOUR Enjoyment on Sundays, at Day Weddings or other daytime Social Affairs will be doubled with the knowledge you are properly attired. Our Custom Tailoring Department is well supplied with appropriate black and Oxford grey coatings for your cutaway frock.

GILMOUR'S 68 King Street Men's Clothing Tailoring Furnishings

For Reliable and Professional Optical Service Call at S. Goldfeather Optometrist and Optician, 8 Dock Street, Tel. M. 3413

Athletic Insurance-- No Premiums to Pay To the athlete, protection from strain is one of the vitally important considerations in keeping fit. Practical, valuable insurance will be found in the use of a JOCK STRAP which you'll find here, priced from 90c. up. SUSPENSORIES from 60c. upwards. 71 Main Street WASSON'S 9 Sydney Street

AT CARLETON'S OIL CLOTH SQUARES Slightly imperfect 7 1/2x10 1-2 feet \$5.75 each 245 WATERLOO ST. Corner of Brindley street.

SHORT'S Dyspepticure ACTS LIKE MAGIC IN ALL STOMACH TROUBLES

Fast Becoming Famous as a Relief for CHRONIC DYSPEPSIA and all forms of INDIGESTION. "DYSPEPTICURE" is sold by Druggists at 60c and 81.25 Large Bottles by mail free on receipt of \$1.25. SHORT'S PHARMACY 63 Garden Street, St. John, N. B. Phone M. 460.

Too many parties? Late hours and a bad taste in your mouth? Try a Teaspoonful of Dyspepticure at night and see how fit you feel the morning after.

SOFT COAL IN STORAGE 36,000,000 TONS; CRISIS OVER

Washington, Feb. 8.—Stocks of bituminous coal in storage in the United States, Jan. 1, amounted to 36,000,000 tons, as compared with 22,000,000 tons on Nov. 1, according to F. R. Wedgell, federal fuel distributor, who declared that the bituminous coal crisis created by last year's strike had definitely passed.

Consumption of bituminous coal is about 9,000,000 tons a week, while the average weekly production is 11,000,000 tons.

The number of lepers in the world is estimated to be more than 1,000,000. Bullets of stone were used in 1814.

ZAMOCURA Is Guaranteed for Itching Piles—60c. THE ROYAL PHARMACY 47 King Street

"REYNALDO" CIGARS, 10c The Wonder Cigar See Attractive Window Display Louis Green's Cigar Store 85 Charlotte St. Double coupons given with these 8806-2-16

PHILLIPS' VALENTINES

A splendid assortment of novelty folders, cut-outs, post cards, etc. 2 for 5c up 49 GERMAIN ST., ST. JOHN, N. B.

Headquarters for Comic Valentines

Biggest and Most Complete Assortments

DUVAL'S

"You Pay Less Here" 15-17 Waterloo Street Phone Orders Delivered Promptly PHONE 1407 Open Every Evening

ROBERTSON'S

11-15 DOUGLAS AVENUE Phones M. 3461 and 3462 Cor. Waterloo and Golding Streets. Phones M. 3457, M. 3458

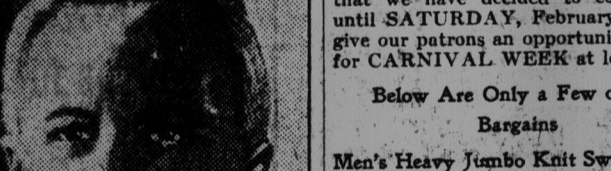
The East End Grocery

189 WATERLOO STREET Phone M. 3992 Here Are Big Values That Save You Money

- Best White Potatoes, per peck 19c Fresh Eggs, per doz. 44c Choice Corn, per tin 11c Choice Peas, 1 1/2 tin 2 for 2c Boneless Godfish, 2 lbs. for 2c Regular 1 1/2 Matches, 2 Boxes 20a Palmolive Soap, 3 for 25c 5 pkg. Bee. Jelly Powder, 25c 24 lb. bag Special Flour, \$1.05 40c bottle Grape Juice, 25c Fancy Biscuits, 20c per lb. New Cider, 40c gal; 10c quart 15-cz. package Seedless Raisins 16c Excello Blend Tea, worth 60c per lb. 55c Prompt Delivery to all Parts City.

THE 2 BARKERS, Ltd. 100 Princess St. - Phone M. 642 Satisfaction Guaranteed or Money Cheerfully Refunded

MURDERED IN EGYPT



While on a visit to the Valley of the Kings in Luxor, Egypt, Travers Allen, a Canadian, was murdered. Robbery was probably the motive. He was a grandson of Sir Hugh Allen, of Montreal, and resided for many years at Brockville, Ont., where he visited last summer.

What to Have in the Family Medicine Chest

A Safe Remedy for Colds Absolutely Essential; The Capsule Form Ideal.

In the home of practically every man there is some member of the family with a cold. These are the days when colds are common; too often they are looked upon as "mere colds," and nothing is done to prevent further trouble. Yet a cold which is first seen in the lungs, and which will sooner or later lodge in the lungs, and the trouble begins.

Distance Will Be Annihilated

Miss Bennett's Songs by Radio from New York to Europe on Feb. 23rd.

New York, Feb. 8.—The definite date for the widely discussed initial attempt to radiophone a complete concert from this country to Europe has just been set for Friday night, Feb. 23rd at 12 o'clock, New York time. The midnight hour was selected because of the fact that the air over the Atlantic Ocean is clearest then.

Correction

To the Editor of The Times, Sir—I am informed that there was a statement published in the Times a few days ago saying that a quantity of ale had been frozen in the stores of the Board of Liquor Commissioners for New Brunswick. I don't know where you obtained this information but would say to you that we have never had any ale or wines frozen or injured in the stocks that we have stored in our warehouse at Fredericton this year.

Yours very truly, J. F. TWEEDALE, Board of Liquor Commissioners for New Brunswick.

An entertainment was given to the congregation of the Church of the Good Shepherd last evening by the Junior W. under the leadership of Miss Mary Hoyt and Rev. and Mrs. W. P. Dunlop. Those taking part were Miss Edna Hamney, Lloyd Ramsey, Miss Madeline McKel, Miss Olive Armstrong, Miss Ada Stelney, Miss Edna Byers, Miss Hazel Rose, Miss Jennie Chambers and others.

LOCAL NEWS

It was definitely announced yesterday by A. J. Brooks, organizer for the Conservative party in New Brunswick, that the opposition convention would be held in the Seaman's Institute here on the evening of Feb. 20. It is understood that the question of leadership of the party will be one of the matters for discussion.

St. John the Baptist church high tea and fair attracted a record crowd last evening. Hundreds of suppers were served and the games and amusements were well patronized. A feature of the evening's entertainment was the singing of popular songs by members of the "Loyalists' Troop of Boy Scouts," N. S., accompanied by the Ligurian orchestra of St. Peter's parish. The orchestra also furnished a pleasing number of selections.

The Natural History Society has received a very fine and exceedingly rare fossil specimen from W. B. Evans, manager of the Hothwell Coal Company, at Minto. As far as is known there is only one other in any way resembling this and it also came from Minto. It is a fossil of the cone or seed receptacle of the ancient evergreen trees and is rare owing to the fact that the cone is pressed so as to give a top view instead of being pressed lengthwise. It was found in the Rothwell Company's mine at Minto by the foreman, Walter Stewart.

COCONUT OIL MAKES A Splendid Shampoo

Do not use prepared shampoos or anything else that contains too much free alkali, for this is very injurious, as it dries the scalp and makes the hair brittle. The best thing to use is Mulsified Coconut Oil Shampoo. It is very cheap and beats anything else all the way. Besides, it loosens and cleans the scalp, and a few ounces will last the whole family for months.

Dancing Shoes

From 20 per cent. to 40 per cent. come off Evening Footwear at Francis & Vaughan's Semi-Annual Sale, and with them many novelties shown for the first time at New York in January.

Discover extraordinary reductions in Fashion's first choice of strap effects, and heels like the Junior Louis, Hall Louis and Spanish Cuban—Satin in White, or Black—Suede in Black, Brown or Grey—Black Kid or Patent.

Or regard the rage for Colonials in Patent or Black Satin, Suede and Patent Combinations and too many novelties to tell in print. Fashion's latest at Sale Prices!

Titled Brogues and Oxfords—\$5

Take note of the make that sell otherwise from \$9.50—but all for \$5 at this Sale—Sennard, Oxy, Classic, Hart, McPherson, MacFarlane. Medium and round toes, medium and low heels—Black and Tan Calf, Vici Kid and a few patents—every pair Goodyear welted. All undraped because broken sizes, but grouped together to provide a fit for all.

Francis & Vaughan 19 King St. Open Saturday Night.

Brogues are in again this year, so here's a chance to treat your feet for 1923 with the best that's going—at the Francis & Vaughan Sale price of \$5

Francis & Vaughan 19 King St. Open Saturday Night.

16 oz. Bot. Pure Strawberries 25c 16 oz. Bot. Pure Raspberries 25c 5 Large Cakes Laundry Soap 25c 4 Cakes White Napha Soap 30c 4 Cakes Toilet Soap 25c 20 cans Bot. Mixed Pickles 25c 2 Cans Tomatoes, large 25c 6 Rolls Best Toilet Paper 25c 3 pkg. Snowflake Ammonia 25c 5 lbs. Buckwheat 25c Layer Fig, lb. 20c 2 Pkg. Raisins 25c 1 lb. Pure Pepper 25c Choice O. P. Tea, lb. 45c

M. A. MALONE 516 Main St. Phone M. 2913

The Evening Times and Star

ST. JOHN, N. B., FEBRUARY 8, 1923.
The St. John Evening Times is printed at 27 and 29 Canterbury street, every evening (Sunday excepted) by The St. John Times Printing and Publishing Co. Ltd., a company incorporated under the Joint Stock Companies Act.
Telephone—Private exchange connecting all departments, Main 2417. Subscriptions—Delivered by carrier, \$4.00 per year in advance, \$3.00 per year in Canada. By mail to United States \$5.00 per year.
The Times has the largest circulation in the Maritime Provinces.
Special Advertising Representatives—NEW YORK: Frank R. Northrup, 350 Madison Avenue, CHICAGO: E. J. Power, Manager, Association Bldg., The Audit Bureau of Circulation audits the circulation of The Evening Times.

AFTER LAUSANNE—ST. JOHN.

The Provincial Conservative Convention to be held in this city on Tuesday, February 20, 1923, has taken on the importance of a great and epoch-making event. It is so regarded in the County of Carleton, where emerged some years ago those history-making statesmen, Hon. J. Kidd Fleming and Hon. B. Frank Smith. Like Cincinnati they have since returned to the humble but noble toll of the field and the forest, where potatoes grow and spruce trees flourish—but who knows? The cry of a troubled world may yet reach the peaceful regions of their solitude.
We are indebted to the Woodstock Press for the proper perspective in turning our thoughts to the coming Convention. The Lausanne Conference filled the stage for a season, but it was rather dull and unimportant. Greater results are anticipated when the cohorts of Palmer Pasha and Richard Bey enter the city in the Loyalist City. All party friends, both men and women, are expected to make a special effort to be present. The purpose of the Convention is clearly stated by the Press. "The world," it says, "is seething with rest. Not merely the toy party in New Brunswick, but the world is torn with dissensions. It needs the leadership that has made the Provincial Opposition the envy and the despair of political parties from here to Nova Zembla and beyond.
What is the next step? Upset the Venetian Government, of course. "European governments," we are told, "have gone down like nine-pins when the people have an opportunity to get at them." "Up, guards, and at them!" we are told. "Again we read—"Never before since the present Government came into power, has there been a brighter prospect for its overthrow than at the present time."
Once more—why? Hearken—
"One of the principal causes of discontent in the unshattered operations of combined. The process of making the people pay exorbitant prices for inferior service will continue so long as the public allow any supply government to exist. The robbers have entered every home in the land and health and ease of mind, and the natural leaders have not uttered a cry or even a word of protest. Yet the trust is an outlaw, a criminal organization, for which no law and no jail has yet been discovered. It has no more right to function in a civilized community than a band of pirates."
While the Press adds the remark that "The Dominion Government must stand the blame for this state of affairs," it must be clear to any unbiased person that Mr. Veniot ought to be beheaded. There is also the dog-tax. It is a dead letter. How can the Government expect approval when it pays no attention whatever to the dog-tax? Also "the Municipal Councils are in open rebellion." The press does not suggest it, but what would result if they decided to establish Soviets all over the province and hurl defiance at the Legislature and its laws? In addition to the dangers and the evils enumerated there are "many others that should be mentioned." Hence the supreme importance of the St. John Convention. Carson may not be here, nor Ismet, nor Bomhard, nor Di Garro, nor Tchitcherin, nor Child, nor Bristol; but, take the Woodstock Press, this will be a more tranquil and a better world after the great conference is held.

TO ENFORCE THE LAW

Premier Veniot announced when he assumed office that he would enforce the prohibitory law. As a first result vendors have been warned that selling without prescription means cancellation of license, and the dealers' stocks are being checked up. Much depends on the inspectors. Are they all to be depended on to do their duty? If they now clamp down the lid, as they have been quite able to do at any time, the results will soon be apparent, even if boot-leggers are still able to get some supplies until such time as the export business is stopped. Chief Inspector Hawthorne has received his instructions. The sub-inspectors have received theirs. The vendors have been warned of the new and stringent policy. If there are not immediate and definite results the people will want to know the policy of those who desire the law to be changed to assert that it cannot be enforced. When enforcement proceedings are something more than a gesture these persons will be shown to be wrong. Nor does the whole responsibility rest on the law and its special officers. Every citizen is a theory an officer of the law, since it is a universal duty of citizenship to respect and obey the law. There was never greater need than now for vigilance and effort on the part of all friends of prohibition. To take the Premier at his word and lend a hand is the plain course of action for every defender of the law.
Halifax Chronicle—"The formal announcement made by the Trustees of the Carnegie Corporation in New York, that they are willing to make a gift of three million dollars for the furtherance of the University Federation scheme should arrest the attention of every thoughtful person in these Maritime Provinces. It is immeasurably the biggest thing ever offered for the cause of higher education in this country."
Mr. William Duff, M. P. for Lunenburg told Parliament and the country yesterday about the continued loss of population in the Maritime Provinces and the necessity of some action to end every home on the land and health and ease of mind, and the natural leaders have not uttered a cry or even a word of protest. Yet the trust is an outlaw, a criminal organization, for which no law and no jail has yet been discovered. It has no more right to function in a civilized community than a band of pirates."
While the Press adds the remark that "The Dominion Government must stand the blame for this state of affairs," it must be clear to any unbiased person that Mr. Veniot ought to be beheaded. There is also the dog-tax. It is a dead letter. How can the Government expect approval when it pays no attention whatever to the dog-tax? Also "the Municipal Councils are in open rebellion." The press does not suggest it, but what would result if they decided to establish Soviets all over the province and hurl defiance at the Legislature and its laws? In addition to the dangers and the evils enumerated there are "many others that should be mentioned." Hence the supreme importance of the St. John Convention. Carson may not be here, nor Ismet, nor Bomhard, nor Di Garro, nor Tchitcherin, nor Child, nor Bristol; but, take the Woodstock Press, this will be a more tranquil and a better world after the great conference is held.

WHAT'S WHAT

By Helen Deale
The "round robin" was originated in the United States in 1840. It is a circular letter signed by a number of persons, without apparent authority, without apparent purpose, and without apparent result. It is usually used to bring about some change in a law or to bring about some other result. It is a very common form of communication in the United States, and is often used to bring about some change in a law or to bring about some other result. It is a very common form of communication in the United States, and is often used to bring about some change in a law or to bring about some other result.

POST-MORTEM.

Ted Olson in Forbes Magazine, (N.Y.) After the dust of the battle is blown away, After you're licked—and you know why, bother counting the chances you've thrown away; Framing up reasons why you didn't star? What if your errors indeed were excusable? Victory matters; all else is a jest, Master the lessons you think may be possible. Next time you fight—and forget all the rest!
It's victory counts; never doubt it. Success is the measure of men. If you're wallowed, don't argue about it! Get up, and go at it again!
Why pause to delve in the profitless mystery? If you're done otherwise what might you try to fathom what's new ancient history? When just ahead are new battles to win? Take your defeat and be making the best of it. Don't try to argue it out this and so; Master your lesson—and another the rest of it! Let the post-mortems an allis got! If you're licked there's no use to deny it. Think till you're blue in the face. Let the be your creed, and stand by it! The horse that comes first wins the race!
LIGHTER VEIN.
Great to be an Uncle. A little boy, who had never seen a uncle when he was a colored lady, "Uncle," says that her natural black her face!
"She doesn't; that's what women black for."
"Is she black like that all over?"
"Why, yes," uncle replied.
The boy looked up beamingly at his uncle, and said, "You know everything, don't you?"
The Undependable Sex.
Boston Transcript: A married reader sends us the following dialogue. He deems it so, but we suspect it was a personal experience.
"Robert," said his wife as she heard him snore, "did you forget those things I told you to bring home from the store?"
"No, dear. This is the one time I carried out your instructions to the letter. Here's the whole bundle."
"Oh, isn't that aggravating? I've changed my mind about the answer to that. I was so sure you'd forget, as usual. One can never depend upon a man!"
CLOSING TONIGHT.
St. John the Baptist tea and sale. Supper 6 to 8; music the last night.
JUDGE GARY SAYS DEMAND FOR STEEL IS REMARKABLE
Judge Gary is usually an optimist, but in an interview he gave out yesterday on the eve of his trip to the Mediterranean he fairly surpassed himself. Regarding the steel situation, which he should be as well informed as any man in the United States, he said: "The present demand for steel products in the United States and in many foreign nations is remarkable. It exceeds the supply of labor was sufficient to keep production up to manufacturing capacity."
"Domestic demand for domestic steel and for purposes of export are equally good. Bookings on hand are unusually large, payments prompt, prices firm, and, if nothing unexpected and unusual happens, there is no reason to suppose there will be let-up in our business for several months, to say the least."
Perhaps the great bull argument on the present time is the fact that Judge Gary is about to take a protracted vacation. If he were much worried about anything in the situation he would stick to his desk or at least stay where he could get to a telephone in about fifteen minutes.
At the meeting of the Women's Institute yesterday afternoon at the home of Mrs. Frank Rowe, Mrs. R. J. Hooper was made the recipient of a handsome Russian leather writing case on the occasion of her leaving for the Old Country on Saturday. Mrs. T. N. Vincent presided and made the presentation.

Has Northcliffe's Dead Hand Blocked Marriage Of Widow To His Friend?



London, Feb. 8.—Retraction of the phrase "during her widowhood" in the will of the late Lord Northcliffe, which was alleged to have been inserted by his wife, has caused speculation as to whether she will carry out her intention to marry Sir Robert Hudson.
It was said that the engagement of the two would be announced as soon as litigation over the will was finished. Northcliffe's will disposed of an estate of more than £5,000,000. He made his principal bequests to his wife and his mother, and left to each a fifth of his net income in the London Times and the London Daily Mail an amount equivalent to three months' salary.
Northcliffe's life-long friend and associate, to meet the publisher's dying request.
The rumor declared it to be Northcliffe's wish that his immensities should be placed in trust for his wife, and Hudson was his oldest and dearest friend.
It was said that the engagement of the two would be announced as soon as litigation over the will was finished. Northcliffe's will disposed of an estate of more than £5,000,000. He made his principal bequests to his wife and his mother, and left to each a fifth of his net income in the London Times and the London Daily Mail an amount equivalent to three months' salary.

INTERESTING CANADIAN WOMEN.

Mrs. Jean Mulder.
Mrs. Mulder, director of the Home Branch of the Soldiers' Settlement Board, occupies a position which requires rare tact and an instinctive sympathy with returned soldiers and their wives and families who are facing peculiar difficulties in pioneer work on their farms. The work is carried on in nine provinces, with the object of helping the soldier-settlers to be happy in their new homes. Many of the wives of the settlers are British war brides, and these new Canadians are provided with special courses in poultry raising, gardening, dairying, sewing and cooking. When they meet with disaster from hail, frost or fire, practical help is forthcoming.
MONCTON AND THE C. N. R.
(Moncton Transcript)
The Moncton Board of Trade is to be commended on the firm stand it has taken regarding the termination of the Eastern Division of the Canadian National Railways. This is another case in which the Maritime Provinces should unite in protesting to the limit against injustices which are frequently put upon us.
The local board has been most firm in its demand that the Eastern District extend to Cochrane, and it has a right to expect that every Board of Trade in the East and every representative in the House of Commons from New Brunswick, Nova Scotia and Prince Edward Island, should back it up in its protest.
President Denison has aptly expressed the opinion of every resident of the Maritime Provinces who has given this matter serious attention, when he intimated that if the Maritime members of the House of Commons should allow the present suggested limitation, they had better resign their seats and come home.
The increasing influence of Ontario and the West has a tendency to strip the Maritime Provinces of their rightful heritage. Even our awards under the British North America Act are something to be proud of. It should be noted by a united front from these quarters and this appears to be a time when other differences should be overlooked for the sake of one important matter of mutual interest.

Keep Tabs on the Weather Man

How to dress for the day can be readily determined by a glance at a Thermometer placed just outside the door. The correct solution of your heating problem and proper attention to the health of your family as regards temperature in the home can be decided each day by means of an indoor Thermometer. Every home should have at least two.
THERMOMETERS
Our Thermometer section presents an ample variety of thoroughly dependable Thermometers at reasonable prices.
DROP IN AND TAKE A THERMOMETER OR TWO HOME WITH YOU
EMERSON & FISHER, LTD.

ORGANIZATIONS!

Are you going to enter a float in the Great Carnival Torch-light Parade? (Wednesday, Feb. 14.)
Fifteen organizations are already making elaborate preparations.
For Particulars Apply
RETAIL MERCHANTS' ASSOCIATION
Standard Bank Building.
This space donated by
WIEZELBROS
SUPERIOR FOOTWEAR

Bread Baked To A Golden Brown
Rich flaky pastry, cakes beautifully raised, meat tender and juicy, beans done to a turn. You can always be sure of these if you use the right ingredients and trust your baking to a GURNEY RANGE
PHILIP GRANNAN, Limited
Phone Main 365 568 Main Street

SAY HOLDUP BY POLICEMEN
New York Cops Accused of Stopping Boy from Ship and Taking \$4 from Him—They are Suspended.

LABRADOR GOLD RUSH TO BEGIN AS THAW COMES
Prospectors Strain at Leash as Arctic Winter Locks Rich Flatter Fields in Land Hailed as Eldorado.
New York (Tribune)
A wild scramble of Americans, Canadians and Australians to find gold in the undeveloped and hitherto uninteresting wastes of southern Labrador is certain to take place next May and will be comparable to the historic scramble of the Klondike years ago, according to William H. Taylor, of Newfoundland, who told a Tribune reporter that 320 acres had been allotted by the Government of Newfoundland to enthusiastic prospectors who are being held back from this work by the rigors of a Labrador winter.
Already the anticipated boom has led to speculation in claims, said Mr. Taylor. Large companies have been formed either actually to work claims where gold is believed to be awaiting the prospector, or else to sell claims at enormous profits to individuals. One company, says Mr. Taylor, has been organized in Montreal which expects to sell rights to work the hundreds of claims it has acquired in quarter-acre lots, at \$1,000 each—a profit of \$125,000 on each claim, providing the rush comes.
One American individual possesses the rights to 800 claims, holding them, however, in investment rather than prospecting himself.
Whether or not gold will be found on any one location is quite naturally largely dependent upon chance. A certificate, signed by the Minister of Agriculture and Mines of Newfoundland, granting the holder the right to work a state claim for \$10, plus \$3.50, to cover the cost of a small map showing the location of the 320-acre claim. A person who wants a certain claim cannot get it; he must take what he can get and, much as it is, largely dependent upon chance.
Frank Armstrong, 38 years old, a mechanic, of 301 East 125th Street, died in the apartment of Edward Kelly, 294 East 121st Street, from poisonous liquor, and his friend, William J. Abson, 21 years old, a laborer, of the same address, is in serious condition in Harlem Hospital, but is expected to recover.
The fourth death believed to be from poisonous whiskey was that of Mrs. Hannah Butler, 38 years old, a janitor, living at 117 Bank Street, who was found dead in bed. Her husband, James Butler, who has been taken into custody for investigation because of the possibility of homicide, told the police that his wife was out all night and returned in the morning in an intoxicated condition. Medical Examiner Norris gave it as his opinion that poisonous liquor caused the woman's death. An autopsy will be performed today.
New York's first electrocution took place December 30, 1922.

Duke of Rothesay Chapter Elects

The Duke of Rothesay chapter met at the residence of Mrs. Paul Blanchet, in Rothesay, with Mrs. John H. McIntyre, vice-regent, presiding. The reports showed that during the year the chapter had raised nearly \$1,000, half of which was set aside for the community Memorial Hall fund. The election of officers resulted as follows: Regent, Mrs. John H. McIntyre; first vice-regent, Mrs. W. S. Allison; second vice-regent, Mrs. DeB. Carruth; treasurer, Mrs. Frances Allison; recording secretary, Miss Barbara Stodart; corresponding secretary, Mrs. John Davidson; standard bearer, Mrs. Paul Blanchet; secretary, Mrs. F. W. Roach, Mrs. W. R. Hibbard, Miss Mabel Gilbert, Mrs. Thomas Bell and Mrs. W. R. Mathers. After the routine business had been transacted a social hour was enjoyed and Mrs. Paul Blanchet and Mrs. Thomas Bell were hostesses for tea.
Bishop Mowll made his farewell address in the city last night at the Midway Society. He preached on "The Joy of Service." Rev. A. L. Fleming conducted the service and a special collection was taken for the missions work in Western China. Bishop Mowll left the city today on his way to his new diocese in Western China.

LOCAL NEWS

Fifteen banquets on Carleton Rink tonight. Excellent line.
Band Carleton Rink tonight; 15 numbers.
CLOSING TONIGHT.
St. John the Baptist tea and sale. Supper 6 to 8; music the last night.
JUDGE GARY SAYS DEMAND FOR STEEL IS REMARKABLE
Judge Gary is usually an optimist, but in an interview he gave out yesterday on the eve of his trip to the Mediterranean he fairly surpassed himself. Regarding the steel situation, which he should be as well informed as any man in the United States, he said: "The present demand for steel products in the United States and in many foreign nations is remarkable. It exceeds the supply of labor was sufficient to keep production up to manufacturing capacity."
"Domestic demand for domestic steel and for purposes of export are equally good. Bookings on hand are unusually large, payments prompt, prices firm, and, if nothing unexpected and unusual happens, there is no reason to suppose there will be let-up in our business for several months, to say the least."
Perhaps the great bull argument on the present time is the fact that Judge Gary is about to take a protracted vacation. If he were much worried about anything in the situation he would stick to his desk or at least stay where he could get to a telephone in about fifteen minutes.
At the meeting of the Women's Institute yesterday afternoon at the home of Mrs. Frank Rowe, Mrs. R. J. Hooper was made the recipient of a handsome Russian leather writing case on the occasion of her leaving for the Old Country on Saturday. Mrs. T. N. Vincent presided and made the presentation.
The annual building record of the City of Toronto is impressive, but the Globe says—"The report of the city Medical Health Department shows a great decrease in over-crowding of living conditions in the past four years, but there are still 7,000 families who are forced to live in one room, two rooms or three rooms."
The annual building record of the City of Toronto is impressive, but the Globe says—"The report of the city Medical Health Department shows a great decrease in over-crowding of living conditions in the past four years, but there are still 7,000 families who are forced to live in one room, two rooms or three rooms."
The annual building record of the City of Toronto is impressive, but the Globe says—"The report of the city Medical Health Department shows a great decrease in over-crowding of living conditions in the past four years, but there are still 7,000 families who are forced to live in one room, two rooms or three rooms."

POOR DOCUMENT M C 2 0 3 5

THE EVENING TIMES AND STAR, ST. JOHN, N. B., THURSDAY, FEBRUARY 8, 1923

FIFTEEN MINUTES OF RADIO EACH DAY

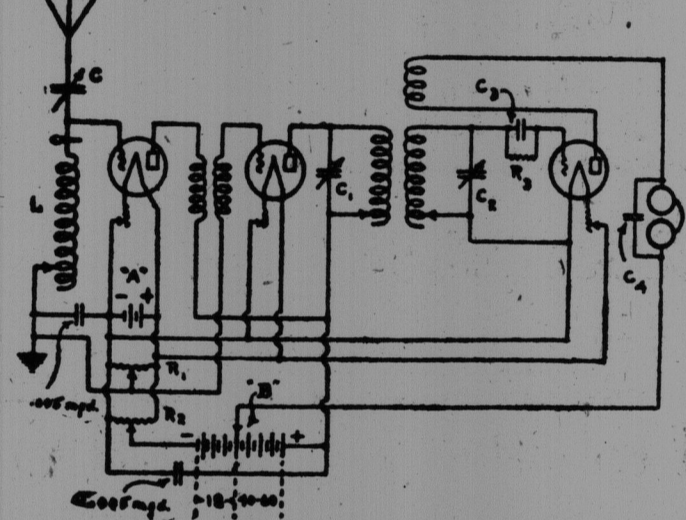
By Edward N. Davis
Formerly Technical Electrical Expert For U. S. Government

LESSON No. 222 COMBINED RADIO-FREQUENCY AMPLIFICATION AND REGENERATION

When a receiving station is located within a comparatively short distance of a transmitting station, the radiated signals are usually of sufficient strength to properly actuate the vacuum tube detector. If increased strength of signal at an audible frequency is desired, the incoming wave after being detected may have its energy built up by the addition of one or two stages of audio-frequency amplification, to the detector.

If, on the other hand, the receiving station is so remote from the source of radiated signals that the feeble impulses do not possess sufficient energy to cause the detector tube to function, it is necessary to build up the weak signals through several stages of radio-frequency amplification, or in other words, to increase the intensity of the signal at its original frequency. In this manner the signals are given an increased strength sufficient to produce rectification in the detector tube.

Radio-frequency amplification has other advantages; it permits the use of small loop antennae and also reduces interference by amplifying only such signals as are of radio-frequency, that is, of a frequency above audibility. It is also particularly adapted to the reception of broadcasted music or speech, as it has a tendency toward eliminating the distortion which occurs when several stages of audio-frequency amplification are employed.



A very satisfactory arrangement for the reception of short wave lengths is obtained, as shown in the accompanying diagram, by combining two stages of radio-frequency with a standard form of regenerative circuit employing the "tickler coil" as a means of feeding back a portion of the plate circuit energy to the grid circuit. In the simple form of regenerative circuit, proper adjustment of the coupling between the "tickler coil" and the secondary coil causes the oscillation to be built up to a strength greatly in excess of that which would be obtained without regeneration. If, however, the coupling is increased until the electrical resistance is "balanced out" by the plate circuit energy, until this resistance approaches zero, the tube will burst into oscillation, in which case it acts simultaneously as a local oscillator and as a regenerative amplifier. Under these conditions the antenna radiates energy which is undesirable in a radio receiver.

By combining the regenerative circuit, as shown, with two stages of radio-frequency amplification, local oscillations are prevented from passing through the radio-frequency amplifier, and consequently are not radiated from the antenna circuit.

In the accompanying diagram the variable antenna series condenser (C) has a maximum capacity of .0006 microfarads and the tuning coil (L) may be of the single coil type, either tapped and provided with "stem" and "unit" switches or with a sliding contact. The filament of "A" battery is of the six-volt storage type, having a capacity of eighty ampere-hours or greater. The plate or "B" battery consists of standard 22.5-volt units and has an eighteen-volt tap for the plate circuit of the detector tube and additional units which supply forty to sixty volts, so that a maximum potential of approximately eighty volts may be impressed upon the plate circuit of the amplifier tubes. The potentiometer (R-1) and (R-2) have a resistance of 200 to 300 ohms and are provided with adjustable contacts. (R-1) is utilized as a "stabilizer" for impressing the proper grid bias upon the grids of the amplifier tubes, while (R-2) is employed to obtain the correct plate potential for the detector tube. The addition of the two .0006 microfarad condensers gives increased efficiency of radio-frequency amplification.

In the regenerative circuit the primary is connected in the plate circuit of the second amplifier tube and is shunted by the variable tuning condenser (C-1) which has a capacity of .0001 to .0005 microfarads. The variable tuning condenser (C-2) has the same capacity while the grid condenser (C-3) has a capacity, either fixed or variable, of .00025 microfarads. The grid leak (R-3) has a resistance of 5 to 2 megohms and is shunted about the grid condenser. Telephone condenser (C-4) has a capacity of .0025 microfarads and is shunted about the receiving telephones.

It is thus apparent that very satisfactory reception of short wave lengths may be obtained by combining two stages of radio-frequency amplification, which build up the feeble impulses, with a standard form of regenerative circuit which reinforces the intensity of the incoming signal to a considerable degree by the cumulative strengthening effects of regeneration. (All Rights Reserved by United Feature Syndicate. Reproduction Prohibited.)



A cream that really holds the powder

How many times especially when you were dancing, you have wished your face would not get shiny and that the powder would stay on?

Powder put directly on the skin does not stay. Too much of it clings in spots. Some of it catches on little rough places for a time and then flecks off. This roughness of the skin's surface is often so slight that you cannot see it, but it is enough to prevent the powder going on smoothly.

Try putting powder on after you have used Pond's Vanishing Cream—the soft velvety surface it gives your skin forms the ideal powder base. The powder goes on evenly giving your skin a lovely transparent tone and it stays on for hours—even when you walk in the wind or dance.

This fragrant cream contains not a drop of oil to reappear in a shine and will actually make your skin feel and look softer and smoother the moment you apply it. Only a cream that your skin can absorb instantly will do this.

Indispensable for this use, Pond's Vanishing Cream has an equally, if not more important, function. It is used the world over as a protection against wind and sun or cold. For this double purpose it was perfected. Always smooth it on before you go out.

You can buy it in jars and tubes at any drug or departmental store, at 50 cents each. It does not clog the pores or promote the growth of hair. The Pond's Extract Company, 146 Brock Avenue, Toronto, Ont.

For a thorough cleansing you need a very different cream. Use Pond's Cold Cream every night and after every dusty trip. It is made with just the right amount of oil to remove every bit of dirt.

MADE IN CANADA

Clearance Sale of Nippon China

Tacups, Saucers and Plates	\$5.00 dozen	Reduced from \$11.00 dozen
Cream Pitchers	25c each	60c each
Bowls	20c each	50c each
Cake Plates	40c each	90c each
Sugar Bowls	30c each	75c each

W. H. HAYWARD CO., LIMITED
85-93 Princess St.

February Sale of Men's Boys' and Youths' FOOTWEAR

WATERBURY & RISING'S WHOLESALE STOCK OF MEN'S, BOYS, AND YOUTHS' BOOTS is now being sold through their three retail stores at WHOLESALE PRICES, and in some cases less. Buy now for generous saving. Here, we can give you only a

PARTIAL LIST

FOR MEN—Heavy Tan Grain Boots; splendid working boots.	\$3.45
Brown Calf Dressy Boots, Good-year welt on English last.	\$3.45
Heavy Grain Boots, in black and in brown. The long wear kind.	\$3.95
Brown and Black Calf Boots in all shapes and weights.	\$3.95
Brown and Black Calf Boots, Dressy last for the business man.	\$4.65
Heavy Waterproof Boots and Best quality black and brown boots.	\$5.35

RUBBERS
Also in This Sale
Men's Storm Rubbers \$1
Women's Black Rubbers, Cuban heel, wide toe 58c
Women's Tan Rubbers, in diff. ferent lasts 75c

MANY OTHER BARGAINS will be found in our windows and in the sale bins inside the stores. Come in and look at them, but COME EARLY.

Waterbury & Rising, Ltd.
61 King St.; 212 Union St.; 677 Main St.

SOME OF THE Footwear Bargains

In Our Clearance Sale
Women's Broadcloth Packard Top Gaiters, in Fawn and Grey colors. Sale price 75c
Women's Melton Cloth Packard Top Gaiters, in Fawn and Grey colors. Sale price 75c
Women's Rubbers, to fit broad toe and low heel shoes; sizes 5 1/2, 6, 6 1/2, 7. Sale price 57c
Women's Rubbers, to fit high heel boots; sizes 2 1/2 and 3. Sale price 47c
Men's Best Quality Rubbers, with heavy soles; all sizes. Sale price \$14.10
Men's One-Buckle Overshoes, sizes 7 and 9. Sale price \$2.05
Men's Two-Buckle Overshoes, sizes 6 and 10. Sale price \$2.55
Women's Fine Kid and Patent Leather Pumps, with medium heels. Sale price \$2.69

McROBBIE
Foot St. John 50 King Street

BOARD SHIP TO GET BIG LIQUOR AGENT

Treasury Officers Summoned Passenger on Fort Victoria for an Examination—St. John Shipment Mentioned

(New York Times.) Special agents of the Treasury Department went on board the Fort Victoria of the Furness-Bermuda Line and searched the baggage of Morris Stern, a passenger, in which they said they found a bill of lading and bills of sale made in Bermuda covering 4,235 cases of liquor recently cleared from St. John, New Brunswick. As a result of search Stern was summoned before the Legal Division of the Customs Service to explain his frequent visits to Montreal and St. John, Interrelated by Edward C. Barnes.



You'll Be Needing New Sports Garments

In order to thoroughly enjoy the fun of carnival week you'll need the right kind of sport apparel. This store has been making a study of all such needs and is ready with a bright, fresh stock you will heartily approve.

Warm, Comfortable Sweaters

Lovely Brushed Wool Sweaters in all white or white combined with red. These are entirely new and are fashioned with scarf attached to neck line. \$14.25 each
All Wool Pullovers with roll collar or V neck, showing in white only. \$5.75 each
Jumbo-Knit Pullovers with shawl convertible collar. \$6.90 each

VERY SMART SKATING SETS

Combination Set of Pullover Sweater, Scarf and Cap in showing shades of fawn, tomato, orange, etc., as well as all white. These are effectively bordered in contrasting colors. \$11.50 Set
Scarf and Hat Sets of Heavy Brushed Wool. \$3.95 Set

BREECHES FOR WOMEN'S WEAR

Made to fit tightly below the knee. Very comfortable cut. You may choose from cotton cord, velvet corduroy or heavy khaki cloth. \$6.25 and \$6.50

ALL WOOL TOQUES

In heavy ribbed style. 75c each

A NICE VARIETY OF SPORT HOSE

Women's Calf Hose in grey, brown and heathers; heavy ribbed style with fancy tops; fine value. 70c and 85c pair
All Wool Scotch Heathers in shades of fawn, grey, navy and brown. \$1.10 and \$1.60 pr.
Sport Hose in Club Colors, including Y. M. C. A., R. C. S., St. J. H. S. and Y. M. C. L. \$2.50 pair

YOU'LL LIKE THESE GLOVES

Duplex Chamoisette with gauntlet wrists; hand sewn; showing in shades of grey, champagne and beaver. \$2.50 pair
Duplex Chamoisette Gauntlets in same shades; matching. \$1.75 pair
Wool Gauntlets in white, grey and fawn. \$1.60 pair
Angora, in grey only. \$4.50 pair

Sports Accessories

For Men and Boys

HEAVY WHITE PULLOVERS with high roll or shawl collars. Several weights and colors—\$3 to \$13.50.
COLORED PULL-OVERS with high roll or shawl collars; newest color combinations—\$3 to \$6.25.
COLORED COAT SWEATERS in many weights and colors—\$3 to \$13.50.
BOYS' PULLOVERS and COAT SWEATERS in favorite varieties, \$1 to \$6.00 each.
MENS' GOLF HOSE in wanted weights and color combinations—\$1.25 to \$3.25 pair.
MENS' HEAVY WOOL SOCKS in grey, black and heathers—40c to \$1.15 pair.
WOOL SOCKS—Extra special value, 98c pair.
MENS' WOOL GLOVES—Natural color, taupe, nickel and camel hair; plain and brushed wool—\$1.50 and \$1.75 pair.

Manchester Robertson Allison Limited
KING STREET - GUYAN STREET - MARKET SQUARE

WOMEN! DYE ANYTHING NEW FOR FEW CENTS

Dresses Kimonas Draperies
Skirts Curtains Gingham
Coats Sweaters Stockings
Waists Coverings Everything

Diamond Dyes

Buy "Diamond Dyes"—no other kind will follow the simple directions in every package. Don't wonder whether you can dye or tint successfully, because perfect home dyeing is guaranteed with Diamond Dyes, even if you have never dyed before. Just tell your druggist, whether the material you wish to dye is wool or silk, or whether it is linen, cotton, or mixed goods. Diamond Dyes never streak, spot, fade, or run.

Assistant Solicitor, he said he was agent of the Great Western Wine Company, proprietor of a grocery store at 644 Madison Avenue and the Vanderbilt Fruit and Grocery Store at 644 Madison Avenue. He admitted he frequently went to Bermuda, where he paid cash for such liquor as he purchased. Asked how much money he handled at any one time for this purpose, he replied:

"Seventy-five thousand dollars was the most, I believe."

"Isn't it a fact you boasted in Bermuda of having made \$1,000,000 out of English whiskey sold in the United States?" he was asked.

"I never made such a statement," Stern said.

"You know of the Marion Mosher (a reputed rum runner), don't you?"

"I know she got into some trouble and I signed one of the legal documents to obtain an injunction against holding her longer," Stern answered.

The Marion Mosher, which cleared from Bermuda last June, was seized outside the three-mile limit with 1,200 cases and twenty barrels of whiskey aboard. Later the cargo was released because of representations to the State Department by the British Government.

Questioned regarding the extent of his liquor transactions, Stern recalled three large shipments from Bermuda to St. John for the Great Western Wine Company. He could not remember the name of one of the vessels he had used until one of the agents suggested the "John M. Parker."

"Now I remember," Stern said, "the Parker started out, but became unseaworthy, and the Douglas M. Conrad was substituted."

Stern was quizzed at length about the Madeline H. Hebb, which was mentioned in the bills of lading as having cleared recently from Bermuda.

When he was asked about the Great Western Wine Company Stern said it was a Canadian concern with offices in Montreal, Regina, Vancouver, St. John and St. Pierre.

"Did you distribute any of these liquors your company in New York?" he was asked.

"No. It was all out of New York except two barrels which I handled about a year ago when my retail drug store was doing a wholesale business," he said.

"Will you, as a matter of good faith, consent to have the Madison Avenue drug store searched by special agents while we are sitting here?" Mr. Barnes asked.

"Certainly Mr. Stern will give no such authority," interposed counsel.

"Did you ever make reports of your operations in New York?"

"Yes, to Mr. Ripstein, president of the Great Western Wine Company."

Refusing to divulge the names of other officers of the company, he denied he owned or controlled large storage lots in this city. Stern was not held, as no charges were made against him. Commenting on the examination, Mr. Barnes said:

"The hearing was very educational."

SPRING FASHIONS make their first formal bow to the public in The SPRING FASHION BOOK



PICTORIAL REVIEW PATTERNS for March.
20 cents to 35 cents—None Higher
The Guides for Cutting and Construction found in each pattern are of interest to all.

We Are Sole Agents
**PICTORIAL REVIEW PATTERNS
LONDON HOUSE**
F. W. Daniel & Co. Head of King St.

RECENT WEDDINGS

Porter-Porter.

A quiet wedding was solemnized last night at the home of Mr. and Mrs. J. E. Anderson, 180 Rodney street, west end, by Rev. Charles R. Freeman, when Mrs. Jane Porter was united in marriage to Frank E. Porter, Mr. and Mrs. Porter both belong to West St. John.

D. Foley of this city was fined \$200 in the Moncton police court yesterday morning for having opium in his possession illegally. He was arrested in Moncton on Tuesday by C. N. R. Police-men Morrissey and Barden and turned over to the C. N. R. police there. When arrested a quantity of dope was found on him as well as \$1,341 in cash. An officer of the government secret service from this city appeared and gave evidence against him. Foley is a man about forty years of age.

The S. S. Canadian Runner and S. S. City of Mexico are both due to arrive shortly with cargoes of Welsh coal for Consumers Coal Co. Ltd. 2-9

Bruises—strains

Apply Sloan's. The blood circulates freely and normally again. The painful congestion is broken up—*all soreness disappears!*

Sloan's Liniment

Made in Canada
For rheumatism, bruises, strains, chest colds



AMDUR'S, LTD.

Nearly Ready For Grand Re-opening

Carpenters and painters are putting the final touches to an elaborate renovating. The whole interior of the Amdur Centre, King Square, is new and bright, in keeping with the Carnival spirit.

New goods in a new store will be the Amdur Feature for the the greatest winter week in local history.

Of outstanding interest will be the elaborate display of Carnival and General Clothing.

Amdur's, Ltd., No. 1 King Square

Use The WANT AD. WAY

POOR DOCUMENT

MC 2 0 3 5

THE EVENING TIMES AND STAR, ST. JOHN N. B., THURSDAY, FEBRUARY 8, 1923

THREE MILLIONS FOR FEDERATION

Carnegie Foundation's Assistance in University Plan

Text of Letter to President of Dalhousie—Appropriation of All the Income Available for Use Outside of U. S.

Halifax, N. S., Feb. 7.—(By Canadian Press)—That the trustees of the Carnegie Foundation are prepared to appropriate \$3,000,000 to assist in the furtherance of the plan of university federation tentatively agreed upon by representatives of the various universities and Governments of the Maritime Provinces and Newfoundland, provided this scheme is embarked upon in its entirety, is in effect the decision of the Foundation executive, as contained in a letter addressed to President A. S. MacKenzie of Dalhousie University, in his capacity as chairman of the sub-committee appointed to present the findings of the series of conferences held in Halifax before the officials of the Corporation. The text of the letter is as follows:

Office of the President, Carnegie Corporation of New York, My dear President MacKenzie:

I beg to make formal reply to the letter of December 21 submitted to me by the committee consisting of yourself, President Boyle and President Bowen.

You will remember that after a conference of the representatives of the higher educational institutions of the Maritime Provinces and Newfoundland Governments held on December 12, 1922, your committee visited me in New York and laid before the Carnegie Corporation a memorandum embodying a scheme agreed to unanimously by this conference as the basis for a confederation of the higher educational institutions of the Maritime Provinces and Newfoundland. Your committee also requested that, in order



Keep Your Hands Soft and White With Cuticura

The daily use of the Soap, with occasional touches of the Ointment, is very effective for keeping the hands soft and smooth. For red, rough or sore hands: On retiring bathe in hot water and Cuticura Soap, dry, and rub in Cuticura Ointment. See No. Ointment 25 and Soap, 47c, sold throughout the Dominion. Cuticura Soap, 47c, and Cuticura Ointment, 25c, sold throughout the Dominion. Cuticura Soap, 47c, and Cuticura Ointment, 25c, sold throughout the Dominion. Cuticura Soap, 47c, and Cuticura Ointment, 25c, sold throughout the Dominion.

Glaxo

The Super-Milk

"Builds Bonnie Babies"

Glaxo is sold by Druggists throughout Canada. Sole Agents for Canada: Harold P. Ritchie & Co., Ltd., 10 McCarl St., Toronto

HURLBUT

Shoes for Children

This Trade Mark appears on the inside of every HURLBUT Shoe.

FOR SALE BY: Waterbury & Rising, Ltd.—8 Stores. Percy J. Steel. LeVine's Shoe Store, 90 King Street. McRobbie Shoe Co. Francis & Vaughan. Gray's Shoe Store.

N. S. MEMBERS ON C.N.R. AND C.G.M.M.

Debate on Address Continued in Commons Yesterday—Expenditure on Seaports Criticized.

In the House of Commons yesterday the debate on the address continued by L. F. Bancroft, Progressive, who advised reducing the Canadian tariff as a step to obtaining reductions in the U. S. tariff.

N. H. Martel, Liberal, Hants, stated that he was absolutely opposed to government ownership of railways, but would support the government in giving it a fair trial. He criticized Sir Henry Thornton, President of the C. N. R., for attending banquets and warning politicians to keep their hands off the railways, when he should have been trying to familiarize himself with conditions in Canada. He said that Canadian ports should be encouraged and suggested that additional cold storage and elevator space should be provided in the Maritime Provinces.

D. F. Kellner, Progressive, East Edmonton, emphasized the gravity of farm conditions at present. He criticized the operation of the Government Merchant Marine by the Canadian National Railway Board and declared that the ships of the merchant marine should be disposed of as soon as possible by the government. An effort should be made to secure improved trade relations with the U. S. He was opposed to further expenditures on the Hudson Bay Railway.

A. J. Lewis, Progressive, Swift Current, said that economic conditions in the west were such that many men found it difficult to exist. He stated that in the last decade two million settlers had come into Canada, and that 2,000,000 persons left the country. He favored the completion of the Hudson Bay Railway.

The House rose at 6 p. m.

In the Senate Sir George Foster and Senator Pope continued the debate on the address.

Today's Session.

In the House of Commons today the

It Has to Pass Our Baker First

EVERY "milling" of Quaker Flour must satisfy our baker before it leaves the mill. The wheat is analyzed by our chemists for protein, gluten and ash; the perfect grains are selected and cleaned. The product is tested at every stage of milling. A perfect flour is the result.

But the supreme test takes place in our own bakery. Every day's "milling" of Quaker Flour must receive the O. K. of our expert baker. It must produce bread perfect in size, flavour, colour and texture, before it can leave the mill. Nothing is left to chance in producing Quaker. You will make far better bread and cake with Quaker Flour.

Always the Same—Always the Best

Just try Quaker.

THE QUAKER MILLS
PETERBOROUGH and SASKATOON

DISTRIBUTORS:
ST. JOHN—C. F. Francis Co.
ST. JOHN—M. A. Malone
ST. JOHN—Van Wart Bros.

ST. GEORGE—H. McGrattan & Sons.

Are Red Rose Ads. read?

We often wonder—

The following letter appears to answer the question.

Halifax, N. S., January 26th, 1923.

Halifax Herald: Re your contest for display advertising. In my opinion, today's best advertisement is that which appears on page Thirteen, displaying "RED ROSE TEA." This ad. is noticed immediately on account of where it appears on the page, also the black ground and white letters. This cannot but be noticed. The wording is very brief, and would be read by most people reading this paper.

(Sgd.) L. J. FANNING,
60 Queen Street.

Third Generation is Using Syrup Pepsin

No other Laxative can replace Dr. Caldwell's Laxative Syrup Pepsin in the confidence of those who use it.

There are thousands of healthy, robust young men and women who have never in all their lives taken any other laxative for constipation than Dr. Caldwell's Laxative Syrup Pepsin. The parents were given it by their grandfathers, and the grandfathers were given it by their fathers. It is the one laxative ideally suited to all ages, safe for the little ones, effective in all cases, and it does not weaken, find increased dosage unnecessary. This wonderful constipation remedy has been used continuously for 80 years, and over 10 million bottles are now sold annually. The world's largest family laxative is in the world. The cost averages but a cent a dose. Every drug store sells it, and under a guarantee to do as claimed or your money will be refunded.

Millions of carefully conducted tests are never without a bottle of Dr. Caldwell's Laxative Syrup Pepsin.

Dr. Caldwell's Laxative Syrup Pepsin. Mr. Henry Ritchie, Chippewa, Ont., says it is the best medicine they have ever used. Mrs. M. Martin of Massey, Ont., uses it herself and recommends it to her friends. There is scarcely a day that someone in a family does not need it for constipation, flatulency, auto-intoxication, biliousness, intestinal poisoning, headaches, colic and cramps, and to break up fevers and colds.

Dr. Caldwell's Laxative Syrup Pepsin is a scientifically-balanced compound of Egyptian scum with pepsin and pleasant-tasting aromatics. The formula is on the package. As the popularity of this natural vegetable laxative increases, the public discards the harsher, physic-like calomel, castor oil in candy form, salt waters and powders. Dr. Caldwell's Laxative Syrup Pepsin empties the bowels modestly and without any danger.

TAKE DR. CALDWELL'S SYRUP PEPSIN LAXATIVE The family remedy

States to this project for a period of six years.

The trust is expected to be organized at the same time to express the hope that there may be such co-operation and good will among all those who are interested in higher education in this region—whether they be representatives of religious bodies or representatives of government, or whether they be generous minded citizens interested only in the common good—that there may be found for the new university a generous and amicable support.

The trust is also expected to be organized to express the hope that there may be such co-operation and good will among all those who are interested in higher education in this region—whether they be representatives of religious bodies or representatives of government, or whether they be generous minded citizens interested only in the common good—that there may be found for the new university a generous and amicable support.

Faithfully yours,
HENRY S. PRITCHETT

Commissioner and Mrs. R. W. Wiggins were entertained at their residence in Prince street west end, last night at a delightful dinner party. The table was prettily decorated with spring flowers. Among the guests were Mrs. A. B. Gilmore, Mrs. Clark of Vancouver, Mrs. Blake Ferris, Mrs. Rex Cormier, Miss Alice Lockhart and Dr. H. A. Farris. Mrs. Ferris sang for the pleasure of the party and her solos were greatly appreciated.

GRAY'S SYRUP

RED SPRUCE GUM

Ease and Comfort with the very first spoonful

debate on the address will continue. J. J. Hughes, Liberal, Kings, P. E. I., will speak first.

The Senate will not sit.

TELEPHONE WORKERS ELECT

The business meeting of the Telephone Workers' Association of New Brunswick was held last evening in the assembly hall of the company's building and officers were elected as follows—President, J. W. Duncan; vice-president, O. H. Tracey; N. J. Speedy was floor manager.

Gin was first distilled in Geneva, Switzerland, hence the name Gin.

The senior members of the Y. M. C. I. held another successful outing last evening. A party of about forty members and their lady friends assembled at the institute and proceeded to the toboggan slides at Lily Lake where a merry time was enjoyed by all. The return journey was then made to the institute where refreshments were served. The party was chaperoned by Mr. and Mrs. George M. Flood, Mr. and Mrs. Frank O'Hara and Mr. and Mrs. D. Henneberry. The committee in charge of the outing was composed of T. Killen, M. Goutry, H. Flood and E. Wall.

Diaphalene

It looks and feels like silk.

For inexpensive "Undies"

"DIAPHALENE" is fast taking the place of silk and crepe-de-chine as more and more feminine folk find out the distinctness and economy of this wonderful Horrocks' fabric.

It feels and looks like silk—with double the wear of silk—yet costs much less.

"DIAPHALENE" is especially for Knickerbockers, Nighties, Envelopes and Petticoats; and many find its silky finish suitable for Blouses.

"DIAPHALENE" is 42 inches wide and comes in a happy variety of dainty tints as well as black and white. All the leading stores carry it.

Horrocks

For names of nearest stores where procurable, write to: JOHN E. RITCHIE, Canadian Agent, 251 St. Catherine Street West, Montreal. Made by HORROCKS, CREWSON & CO. Limited, Cotton Spinners and Manufacturers, Manchester, England.

Century Salt

OVERSHADOWS ALL OTHERS FOR PURITY AND FLAVOR

DOMINION SALT CO. LTD. SARNIA ONT.

SMITH BROKERAGE CO., LTD. St. John Agents

Miss Kierstead's Recipe for Baked Mackerel

Miss Edna Kierstead of York, P. E. I., deserves credit for this Baked Mackerel recipe: Wash mackerel, drain, and cut to serving size. Top with butter and cover with milk. Bake 45 to 60 minutes. Remove and salt both sides of each piece. Thicken the hot milk with tablespoon of flour blended with water. Put fish back and let simmer but not boil for 10 minutes. Never add salt until fish is cooked or milk will curdle.

NATIONAL MACKEREL

These were laid as soon as caught and frozen as soon as landed so are much like fresh caught fish. They bridge over the fish famine caused by trouble our trawlers have had, with stormy seas and unprecedented weather. At your dealer's.

NATIONAL FISH COMPANY LTD.

Amazingly Beautiful and Inexpensive Rugs

Everyone who sees Gold-Seal Congoleum Rugs for the first time marvels at their good looks and practicality. For these rugs combine the beauty of richly colored, artistic fabric rugs with all the durable, easy-to-clean, sanitary qualities of smooth-surfaced floor-covering.

Gold-Seal Congoleum Art-Rugs come in a wide choice of attractive patterns appropriate for living-rooms, dining-rooms, bedrooms and kitchens. All sizes, too—from little to big ones. And with their beautiful and practical labor-saving qualities, the wonder is that Gold-Seal Rugs are so low in price.

We wish you could see these rugs at your dealer's. Actually to see them is the only way to appreciate their remarkable values. But if you cannot, then write us and we shall be glad to send you our attractive folder, "Modern Rugs for Modern Homes," which shows all the lovely patterns in colors.

CONGOLEUM COMPANY OF CANADA, LTD.
1270 St. Patrick Street, Montreal, Quebec

9 x 3 ft.	\$4.50	9 x 7 1/2 ft.	\$11.25
9 x 4 1/2 ft.	6.75	9 x 9 ft.	13.50
9 x 6 ft.	9.00	9 x 10 1/2 ft.	15.75
		9 x 12 ft.	\$18.00

Gold-Seal Congoleum By-the-Yard

The same durable, waterproof, flat-lying material as the rugs but made in roll form two yards wide, in a variety of patterns for use over the entire floor. .85 cents square yard.

Prices Winning and points West proportionately higher to cover extra freight.

Gold Seal CONGOLEUM ART-RUGS

Made in Canada by Canadians—for Canadians

TAKES MAD JUMP WITH DAUGHTER

Mother of 29 With Daughter of Seven Jumps Through Window—Charged With Felonious Assault.

New York, Feb. 8.—Mrs. Louise Figue, 29 years of age, who with her husband, Thomas, and their seven-year-old daughter, Louise, occupy rooms on the second floor of the apartment house at Long Island City, suddenly picked up her daughter and suddenly the kitchen window leaped out, holding her daughter in her arms.

NO CONSECRATION OF BISHOP THERE

Official Says a Public Ceremony Prohibited by Law in Mexico.

Mexico City, Feb. 8.—(Associated Press).—The consecration of Mgr. Jose Manrique Zarati as Bishop of Huajuquila which was to have taken place at Cerro del Cubilete, where ceremonies recently held culminated in the expulsion from the country of Mgr. Filippo, the papal delegate, was forbidden on Saturday by Gilberto Valenzuela, sub-secretary of the Interior, in instructions forwarded to Governor Antonio Madrazo de Cuanajuato, according to El Universal and El Democrata.

IRISH TROOPS ON WRECKED STEAMER ARE ALL SAVED

Queenstown, Feb. 8.—Troops carried by the Free State Government steamer Silvanian, which struck the rocks twelve miles southeast of this port yesterday, have been landed by small boats at Ballycotton.

EXPLAINS PLANS OF \$1,600,000 TERMINAL

Plant at South Portland Calls for 27 Miles of Trackage.

ALL SAVED

San Francisco, Cal., Feb. 8.—The wooden motor ship Sierra with a heavy list and with her deck load of lumber awash, was towed into port yesterday after having been in collision with the Watson Navigation Company liner, Wilhelmina. The Wilhelmina with a dent in her port bow, came into port after she had stood by the Sierra until the work of rescue was completed.

FREE CASH PRIZE OFFER

TRY IT NOW. Over 300 People Have Participated in Our Prizes. YOU MAY BE THE NEXT LUCKY ONE

MOTION PICTURE REVIEW—FOOTBALL COMPETITION

THIS WEEK'S PRIZE \$3,200.00

SEND IN YOUR COUPON NOW. Mail your envelope to Circulation Manager, MOTION PICTURE REVIEW, 211 UNION STREET, St. John, N. B., or drop your letter in Ballot Box provided at the same address.

Competition Closes 10 a. m. Saturday, Feb. 10—Games played the same day.

SERIES 9. 25c Entitles You to 5 Week's Subscription and 1 Estimate Coupon. 50c Entitles You to 10 Week's Subscription and 2 Estimate Coupons. 75c Entitles You to 15 Week's Subscription and 3 Estimate Coupons. \$1.00 Entitles You to 25 Week's Subscription and 5 Estimate Coupons.

NOTE—MARK WITH "X" IN COLUMN PROVIDED WHETHER YOU THINK THE HOME TEAM OR VISITING WILL WIN OR IF THEY WILL DRAW.

Table with columns for Home Teams, Visiting Teams, and various football matches like Arsenal vs. Nottingham F., Manchester City vs. Aston Villa, etc.

SHOPS YOU OUGHT TO KNOW

Designed to Place Before Our Readers the Merchandise, Craftsmanship and Service Offered by Shops and Specialty Stores.

ARTIFICIAL FLOWERS. H.B. BRAND PAINTS, \$3.50 to \$4.00 per gallon. Send for Color Card—Haley Bros. Ltd. 6-8-1923

ASHES REMOVED. ASHES REMOVED PROMPTLY—Frank Cole, Main 758-11. 819-1-12

BARGAINS. JUST ARRIVED—A shipment of high grade skirts, all sizes. The very newest at the lowest prices.

FUR TRIMMINGS all kinds. Scarfs, chokers, stoles made to order. Also fur remodeling. Work guaranteed.—Morin, 82 Gorman.

COTTON BATTING and fancy quilting. Large rolls, one for a quilt.—At Wetmore's, Garden St.

CARPENTERS—BUILDERS. S. A. WILLIAMS, carpenter and builder. Jobbing promptly attended to and work done at reasonable prices. Phone Main 2031. 9116-2-14

DANCING. PRIVATE dancing instruction. Mrs. Putman, "The Studio", Gorman St.—Telephone M. 2215. 9098-2-14

DIYERS. DRY CLEANING and Dyeing, wet wash and rough dry.—Phone Main 1707, New System Laundry, Limited.

FLAVORINGS. USE CLARK'S PERFECTION Flavorings for all Pies and Cakes. Once used always used. Sold at all stores.

LADIES' TAILORING. EVERYTHING in high class tailoring and furs made to order.—Morin, the only tailor and furrier, 82 Gorman.

LENDING LIBRARY. NEW BOOKS for Week-End—It pays to rent a story.—P. Knight Hays, The Library, 9 Wellington Row

MEN'S CLOTHING. OVERCOATS, good and warm, for winter. Custom made ready to wear, at our usual low price.—W. J. Higgins & Co. Custom and Ready-to-wear Clothing, 183 Union St.

NERVES, ETC. R. WILBY, Medical Electrical Specialist and Masseuse, treats nervous diseases, weakness and wasting, sciatica, paralysis, locomotor ataxia, rheumatism, insomnia, etc. To ladies—Facial hair moles, wrinkles, etc. removed.

MORNING NEWS OVER THE WIRES. The annual reunion of the 182nd North Shore Battalion was held last evening at the Hotel Gloucester in Bathurst.

WATCH REPAIRERS. DIAMOND BOUGHT and Sold. Watch and Clock Repairing a specialty.—G. D. Perkins, 48 Princess street.

FINAL MEET. Lake Placid, N. Y., Feb. 8.—Jewstraw leads in the quest for the two Adirondack gold cups with a total of 390 points.

PORT ARTHUR NAVIGATION. Port Arthur, Ont., Feb. 8.—Navigation is open at Port Arthur. A channel had been cut through the ice a distance of seven or eight miles beyond the harbor breakwater.

WOOD AND COAL

Coal! BUSH COAL—\$10.50 Dumped; 15 bags on ground floor \$11.00 C.O.D.

BROAD COVE QUEEN M.BEAN PICTOU VICTORIA. McGivern Coal Co. 12 Drury Lane and 12 Portland St. Phones Main 42 and Main 366

Pictou, Victoria and Sydney Soft Coal. BEST GRADES WILL SCREENED. Hard Wood, Soft Wood, Kicking Dry and Sound.

PICTOU That HARD BURNING SOFT COAL—\$13.00 Screened, for Kitchen or Grates or Hall Stoves.

FOR SALE—Dry Slab Wood—C. A. Price, corner Stanley-City Road, Main 4682. 6-7-1923

LAW SCHOOL AND Y.M.C.I. VICTORS. Two Good Games Last Night in the City Hockey League.

REPAIRING. SHOE REPAIRING and Skates Sharpener. Best grinding in town by expert—Shoe Kiosk, No. 7 Dock street.

SECOND-HAND GOODS. HIGHEST CASH PRICES paid for all kinds of cast off clothing, shoes, jewelry, etc.—Phone M. 4445, 16 Dock.

TAILORING. LADIES' and Gents' clothing remodeled; also cleaning and pressing done at 194 Union St. 8654-2-23

WATCH REPAIRERS. DIAMOND BOUGHT and Sold. Watch and Clock Repairing a specialty.—G. D. Perkins, 48 Princess street.

VENETIAN GARDENS. OPEN EVERY—MONDAY, WEDNESDAY, FRIDAY, SATURDAY. Also Saturday Afternoon.

WOOD AND COAL. Splendidly screened, all good grades. Commercial, Sydney, Spring Hill, and Thrifty. Prompt delivery by bag, bbl. or ton.

SUN COAL & WOOD CO. HIGH GRADE SOFT COALS. BROAD COVE ACADIA PICTOU FEELERLESS LUMP RIDGE

Dry Wood. Heavy Soft Wood, Hard Wood for grates, Choice Kindling Wood Spool Hard Wood for kitchen range is better than coal.

City Fuel Co. 257 City Road Phone 468

THE OLD ORIGINAL Broad Cove Coal. Just unloading a large quantity fresh mined; extra well screened.

D. W. LAND. NOW IN STOCK Immediate Delivery Doubles Chestnut Trebles Stove or Nut \$4.50 in Bags—50c Off Cash

Maritime Mill Co., Limited COAL DEPOT. Phone M. 3233.

COAL. Scotch Anthracite. Trebles and Doubles Sizes

R. P. & W. F. STARR LIMITED. 49 Smythe St. 159 Union St.

An All Purpose Soft Coal. Cumberland Coal specially prepared to a standard of quality.

Consumers Coal Co. Ltd. Delivered in bags... \$11.50. Dump... \$11.25. Also a Special Soft Coal for furnaces—long lasting. Extra value at \$12.00.

Why Waste Money—ON—Coal? That's what you do if the coal doesn't suit your stove. We specialize in advising, and in selling the right coal for all stoves, and thereby saving money for our customers.

EMMERSON FUEL CO., Ltd. 115 City Road. Phone Main 3988

COAL! Delivered by the Bag, Barrel or Ton. CARSON COAL CO. Tel. M. 2166. Cor. Lansdowne Ave. and Elm St.

WITHIN REACH OF THE PHONE you can have COAL at your home by Bag, Barrel or Ton

L. S. DAVIDSON, 27 Clarence St. Phone 1813

KINDLING WOOD—\$5 per load, south of Union street—Haley Bros. Ltd., City.

FOR SALE—Dry Cdn. Wood, \$2.50 large truck—W. P. Turner, Hazza Street Extension, Phone 4110.

MUTT AND JEFF—AND NOW JEFF'S EVEN WITH MUTT



By "BUD" FISHER

Times and Star Classified Pages

The Average Daily Net Paid Circulation of The Times-Star for the 12 Months Ending Sept. 30, 1921, Was 14,780

One Cent and a Half a Word Each Insertion; Cash in Advance. No Discount. Minimum Charge 25 Cents.

Want ads. on these pages will be read by more people than in any other paper in Eastern Canada.

Send in the Cash with the ad. No Credit for this class of Advertising.

FOR SALE FOR SALE

REAL ESTATE FOR SALE—Kennedy Building, 85 1/2 Prince William Street. For particulars apply G. K. Kennedy. Phone M. 322. 8009-2-10

FOR SALE—Cottage, Hampton St. 100, 2 rooms, bath, hot and cold water, furnace, 1/2 acre or more. 3, Hodrick, 55 Orange St. 9201-2-14

FOR SALE—Two and three family houses. Easy terms.—S. Merritt, 55 Lansdowne Ave. 9140-2-12

FOR SALE—Two family house, 104 Lansdowne Ave. Easy terms if desired. 9182-2-15

FOR SALE—Exceptional bargain in house property, modern, hardwood floors, hot water heating. Lower apartment, 6 rooms; upper apartment 10 rooms; separate entrance. Seen by Mr. E. E. Anderson, Board of Trade Bldg. 8986-2-10

FOR SALE—Brand new double tenement house, best locality, up-to-date in every way, expect heating; also small new two family house near O. B. Mills, 50 Princess St. 8983-2-9

FOR SALE—Freemont two family, 107 Leinster street, furnace heated, large yard with concrete garage.—W. E. A. Layton & Son. 8629-2-9

TO LET TO LET

OFFICES TO LET TO LET—Heated front office, 53 1/2 Dock street, modern improvements. Call M. 2343 or Mr. Wall, 35 Dock. 9135-2-15

TO LET—Large room, 27 x 96 feet, suitable for office or sample rooms. McPherson Bros. 8946-2-9

TO LET—Two upper floors. Bright and well heated, hardwood floors, electric freight elevator, and rear entrance for goods. Suitable for offices or light industry. For immediate occupancy.—Apply P. M. Levine, 90 King street. 8721-2-9

TO LET—Heated office, 85 Dearborn Bldg.—Apply G. S. Dearborn, 33 Prince William St. 8902-2-12

TO LET—On Union St., room 18 x 15, suitable for dentist or physician's office.—Apply Maritime Dental Laboratory, 162 Union St. 8761-2-10

TO LET—Standard Bank Building.—Apply to A. N. McLean, Oak Hall. 1-24-11

ROOMS AND BOARDING TO RENT—With board, pleasant front room, hot water heating, electric light.—Miss Armstrong, 172 King St. East. 9073-2-10

TO LET TO LET

FLATS TO LET TO LET—Lower flat, 162 St. James St., bath-room, hot and cold water, electric lights. May be seen Tuesday and Friday afternoons.—Stephen B. Bustin, Solicitor, 62 Princess. 9109-2-10

TO LET—May let, lower flat, 48 E. Light street, furnace, electric lights, bath and store-room. May be seen Wednesday and Friday between 8 and 5. Rent \$45.00. 9104-2-13

TO LET—Lower flat of five rooms in subscriber's house. Seen by appointment.—Miss Gardner, 104 Carmarthen St., Phone 917. 9035-2-14

TO LET—Lower flat, 117 Elliot Row, 8 rooms, bath and electric, gas. See Tuesday and Friday afternoons. 9085-2-14

TO LET—Two flats, 117 Elliot Row, 8 and 9 rooms, bath and electric, gas. See Tuesday and Friday afternoons. 9085-2-14

TO LET—Upper flat, 49 Cranston avenue, 7 rooms and bath, electric lights.—Apply 55 Stanley. 8756-2-10

TO LET—Heated flat, Tel. M. 880 between 6 and 7 p. m. 8773-2-14

TO LET TO LET

FURNISHED ROOMS TO LET—Large heated front room, furnished, facing King St.—Main Sydney St. 9186-2-10

TO LET—Large furnished room—38 Sydney St. 9088-2-14

TO LET—Furnished room, heated, M. 1894-81. 9174-2-15

TO LET—Very desirable front room for two ladies, heated, low window, fireplace, best locality.—M. 4232-11. 9122-2-12

TO LET—Large housekeeping room, with store.—10 Sydney St. 9074-2-10

TO LET—Furnished room, light housekeeping.—288 Gorman St. 8961-2-9

TO LET—Furnished rooms, 60 Peterborough St. 9094-2-14

WANTED

WANTED—A maid for general house work.—Apply by letter or telephone Mrs. Lamborn, Roth. 95. 9145-2-10

WANTED—Nurse maid. References.—Phone 4520. 9145-2-10

WANTED—Girl for general house work. References required.—Phone M. 238. 9066-2-9

WANTED—General girl. Mrs. Fraser Gregory, 297 Douglas Ave. 9096-2-10

WANTED—Good general girl. Apply 7 St. James street. 9107-2-10

WANTED—Reliable girl for general house work.—Apply 9 DeMont St., West. 8971-2-9

WANTED—A Cook, at once.—Apply 82 Sydney St. 8922-2-12

Use the Want Ad. Way

Use the Want Ad. Way

Use the Want Ad. Way

Use the Want Ad. Way

POLICE HOLDING \$20,000,000 OF SEIZED LIQUORS

Enright Would Amend the Law So It Might Go to Hospitals—Admits Some Policemen May take Hush Money.

MUSICAL INSTRUMENTS If You Are Looking for a GENUINE BARGAIN in a Good UPRIGHT PIANO I HAVE ONE FOR YOU

BRITANNIC UNDERWRITERS AGENCY FIRE AND AUTOMOBILE INSURANCE CAMPBELL & DAVIDSON 42 Princess Street

RENT Desirable residence, 23 Mecklenburg street, now occupied by Donaldson Hunt, Esq., containing 7 rooms, kitchen, bathroom, heated. Can be seen on Thursday on application to under-tenant.

WANTED Desirable residence, 23 Mecklenburg street, now occupied by Donaldson Hunt, Esq., containing 7 rooms, kitchen, bathroom, heated. Can be seen on Thursday on application to under-tenant.

WANTED Desirable residence, 23 Mecklenburg street, now occupied by Donaldson Hunt, Esq., containing 7 rooms, kitchen, bathroom, heated. Can be seen on Thursday on application to under-tenant.

HANDY FOR THE CARPENTER Our catalog fits the vest pocket. It shows your customers several styles of a veranda, a breakfast nook, the different kinds of mouldings, beamed ceilings, etc.

THE CHRISTIE WOOD WORKING CO. LTD. 66 ERIN STREET

SPORT NEWS OF A DAY; HOME AND ABROAD

CURLING.

Jones Cup Series. In the Jones cup competition on St. Andrews ice last evening Skip Dr. J. M. Magee's rink defeated Skip H. G. McBeath's by a score of 14 to 3.

Bathurst Holds McEllan Cup. As a result of Macdonald defaulting Bathurst retains the McEllan cup.

Stellarton Retains Trophy. Stellarton, N. S., Feb. 8.—Stellarton retained the maritime junior curling trophy here last night, defeating Mayflowers of Halifax, 64 to 48.

Thistles Win Close Victory. St. Stephen, N. B., Feb. 8.—Thistle Curling Club rinks of St. John defeated local rinks here last night 66 to 65.

ATHLETIC.

Ray Makes New Record. Newark, N. J., Feb. 8.—Jude Ray, world's champion at the mile indoor last night, made a new world's record by doing the one mile handicap in 4:17.8.

RING.

Willard and Johnson Matched. New York, Feb. 8.—Jess Willard and Floyd Johnson were matched yesterday to meet May 12 in a fifteen-round bout to a decision here.

One Canadian Winner. New York, Feb. 8.—One Canadian won and another lost in the first two bouts in the semi-finals of the international inter-city boxing tournament held by the Metropolitan Association of the A. A. U. at Madison Square Garden last night.

In the 126 pound class, Tony Vaccarella of New York stopped L. Bourdreaux of Montreal in one round.

Douglas Lewis of Toronto won a decision over Eddie Sardoletto of Boston after three rounds, in the 147 pound class.

Benny Gould Issues Challenge.

New York, Feb. 8.—Benny Gould, four featherweight champion of Canada, has posted with the New York State A. C. \$2,500, to go as a challenge and forfeit for weight and appearance to meet either Kilbane or Dundee.

HOCKEY.

C. G. M. M. Team Wins. A hockey team from the Canadian Government Merchant Marine vanquished the Furness, Withy team in

Opera House Mat. 2:15. Eve. 7 and 9. 10, 15, 25c. 15, 25, 35c.

200 SEATS 15c. 300 25c. 600 35c.

CAMEO REVUE -IN- A Riot of Songs and Dances Featuring the

"Cameo Quartette" -FRIDAY- AMATEUR NIGHT

-SATURDAY- Surprise for the Kiddies.

Black's Orchestra -at- "STUDIO"

MON, THUR and SAT. NIGHTS Available for private parties Tues, Wed, and Fridays.

QUEEN SQUARE TODAY Still turning them away.

THE POPULAR Mae Edwards Players

"Peggy O'Neil" A 3 Act Comedy Drama. Better than "The Roarers."

PRICES: Afternoon 2:15-10c and 20c. Night 7:30-35c all seats. Take a tip—come early.

-FRIDAY- "The Flapper" Commencing Monday Night, 10:15, after the regular show.

"Carpenter and Siki" The greatest fight picture ever screened.

The Big Show Is at the UNIQUE THIS WEEK END

He Lashed his Daughter and then Prayed to God!



Jane Novak IN A TOWERING DRAMA OF THE WILDERNESS "COLLEEN OF THE PINES" A CHESTER BENNETT PRODUCTION

We Might Talk and Talk and Talk!

BUT WHAT'S THE USE? Everybody knows that

DOUGLAS FAIRBANKS

In a remarkable, clear cut portrayal of the noble D'Artagnan, the wonderful hero of Dumas' immortal novel of medieval France.

The Three Musketeers

Gives the screen the finest portrayal it has ever seen.

IT COMES TO THE PALACE MON. and TUES.

not suffered a defeat this season and the St. John's seem to be the only team in this section that has a chance to put an end to their winning streak.

Backing St. John to Win. There is considerable speculation as to the probable outcome of the big hockey match in the Arena tomorrow evening between the St. John's and the fast team from Sussex.

Seattle Defeats Victoria. Seattle, Feb. 8.—The Seattle Mets

For Carnival Week You will look better and feel better if you have your Felt or Velour Hat cleaned and blocked at

Barclay's Hat Factory 202 Union Street Call and delivery service at your disposal. Phone M. 4093. 2-2

Automobile Instruction Class The automobile evening class in the Auto Service Club has started and is proving a great success.

YOUR OPPORTUNITY Owing to our first class running over the number we can conveniently handle in one class, we are going to enroll a few more pupils and start a second class.

AUTO SERVICE CLUB, 130 POND ST. or call Main 214. Open evenings. 8874-2-10

ARENA - ARENA BAND TONIGHT Good Ice - Good Music HOCKEY! HOCKEY! HOCKEY!

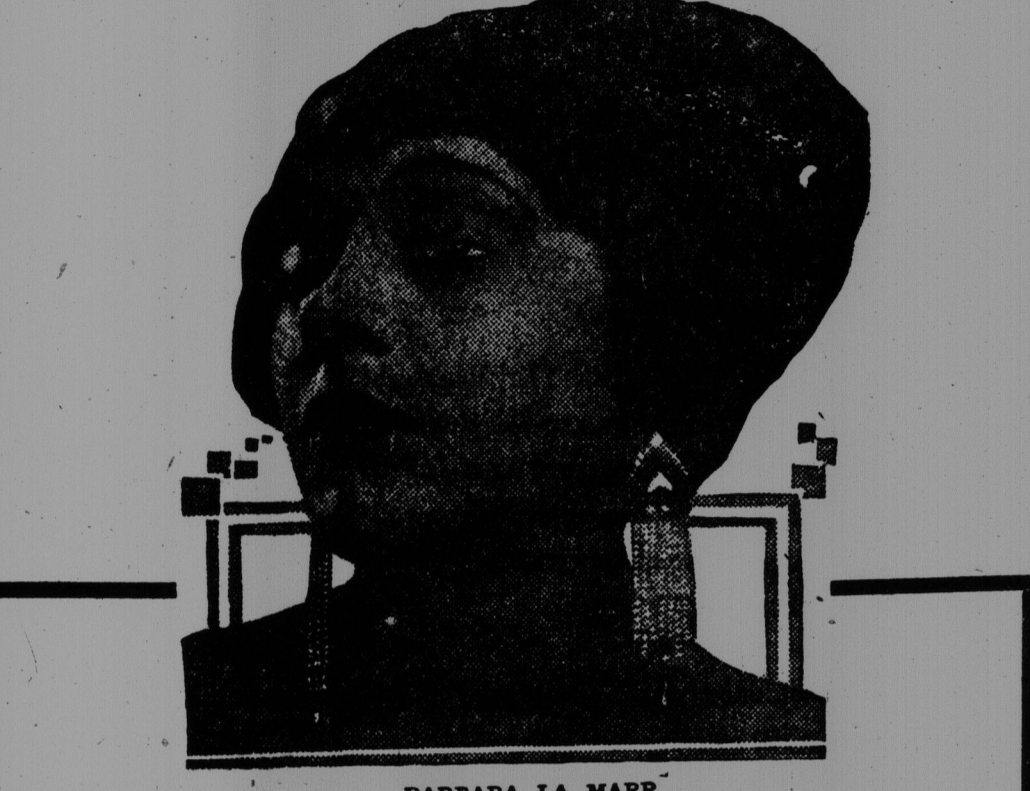
Sensational Game Friday Night 8:15 O'Clock SUSSEX VS. ST. JOHN Door open 7:15—Admission 50c.—No Reserved Seats These teams are the best in New Brunswick.

MACDONALD'S BRIER The Tobacco with a heart



For those Smokers who like their tobacco Cut Fine or who roll their own MACDONALD'S Fine Cut

PACKAGES 15¢ & 25¢



BARBARA LA MARR IMPERIAL THEATRE PRESENTS

Rex Ingram's Marvelous Picturization of ANTHONY HOPE'S ROMANCE

"THE PRISONER OF ZENDA" Fiction's Most Colorful of Love Stories

THOSE WHO WAGE THE LOVE BATTLE: Rudolf Rassendyll—Handsome English adventurer who loved life so much that he risked it daily, especially for fair ladies.....Lewis Stone

Princess Flavia—With whom Rudolf became madly in love and literally carved his adventurous way to her feet.....Alice Terry

Colonel Sapt—Military aide to the king who persuades the Englishman to impersonate the monarch who has been drugged.....Robert Edson

Black Michael, the Duke—Intriguing for the throne of Ruritania with whom our hero has mostly to deal.....Stuart Holmes

Rupert of Hentzau—In league with Black Michael and who is one of the nifty swordsmen our Englishman has to meet.....Ramon Navarro

Antoinette de Mauban—Famous adventuress who betrays the missing king to Black Michael and his plotters.....Barbara La Marr

Marshal von Strakosky—One of the big military men of the country who becomes involved in the plot.....Edward Connolly

DASH, DARING AND INTREPID ACTION characterize this lovely story of the great English novelist. Nearly everybody has read the book, thousands others have seen the play. In the pictured form the romance is glorified to the tenth degree.



One of Many Exciting Scenes From THE PRISONER OF ZENDA

IT'S WISE TO GET THEM NOW

The Skating Executive Urges Early Selection of What Are Left of CHOICE GRANDSTAND SEATS AT LILY LAKE FOR GREATEST RACES OF THE YEAR

Don't be among the disappointed ones who will put it off too late.

Phonograph Salon, King Square, Has Plan.

Price, \$5.00 for Whole Meet of Three Days, Tag Included.

THE BIG OPENER FOR CARNIVAL WEEK MCGILL vs. TROJANS

Monday Eve., Feb. 12—St. Vincent's Gym. Tickets 50c and 75c—At Gray & Ritchie's

Knights of Pythias Dance Castle Hall, Friday Night, Feb. 9th

GOOD MUSIC AND REFRESHMENTS

Price - Cutting

Carried to the Extreme Limit

We have not the means to advertise extensively, but we have cut prices on all stock at this sale to a degree almost unbelievable.

The values we are quoting are genuine and only

THE GREAT NECESSITY FOR RAISING CASH, AND THAT WITHIN A FEW DAYS, COMPELS US TO MAKE SUCH SACRIFICES

Look over any price list. Then come back to ours for comparison. We win every time.

12 Good and True Money Savers:

- A small lot of Ladies' High Cut Boots; high heel; sizes 2 1-2, 3, 3 1-2 Sale 75c
Men's Black Boots, box toe, double soles, Goodyear welt. Sale Price \$3.85
Ladies' Patent or Kid Oxford, high or Cuban heel. Sale Price \$1.25
Ladies' high cut Boots; military heel. Sale Price \$1.48
Ladies' Kid Oxfords, military heel. Sale Price \$1.48
Ladies' Patent or Kid Pumps high or low heel. Sale Price \$1.48
Ladies' brown or black Oxfords; medium rubber heel. A regular \$4.85. Sale \$2.85

EXTRA SPECIAL While this sale is on we will sell the famous Astoria shoe for men at \$6.85

See Sign on door—"Stock Reducing Sale"

Model Shoe Store 641' Main Street

Advance Showing of Spring Millinery

The First Spring Hats are here. They've caught the thrill of Spring. It's in quaint cap-like shapes of changeable taffeta—as full of romance as a Juliet's cap—in wide cape lines that confidently thrust a nodding rose over a brim of crushed berry straw—or that buoyantly fly a ribbon bow.

Approved individual styles. Temptingly priced to encourage immediate wear.

Marr Millinery Co., Limited

Next?

Seven More Wonderful Bargains in Fur Coats

7 Only, Black Pony Coats

with Opossum Collars and Cuffs; sizes 36 to 40; 36 and 40 inches long.

\$55.00

F. S. THOMAS

539 to 545 MAIN ST

QUICK HOT LUNCH

Before The Big Races

To be at the races and have good seats early, there'll be no time to prepare or have lunch at home. Just drop in at the MAIN DINING ROOM OF THE ROYAL HOTEL for a good hot lunch, served quickly so as to get you away in good time. PRICE, \$1.00

HOT COFFEE AND SANDWICHES AT THE SODA FOUNTAIN Garden Cafe - Royal Hotel

Advertisement for Strand Ski, featuring an illustration of a skier and text describing the product and company details: W. H. THORNE & CO., LTD. HARDWARE MERCHANTS

AUTHORIZE HYDRO COMMISSION TO SIGN CONTRACT

City Council Passes Bond Issue for \$13,340 for Sub-Station

Question of Engineering Costs Raised—\$500 Granted for City Publication—Amendment to Assessment of County Residents Proposed—Carnival Matters Deal With.

At a special meeting of the City Council this morning, the Civic Hydro Commission was authorized to sign a contract with H. O. Clark for the construction of a hydro sub-station at a cost not to exceed \$13,340, the amount to be raised by bond issue.

Sub-Station Contract. The Mayor presented an estimate of cost covering the construction of the civic hydro sub-station amounting to \$14,784, made up as follows:

Table with 2 columns: Item, Amount. Includes Building contract, Foundation, Earth excavation, Rock excavation, Engineering, etc.

Total \$14,784. The Mayor requested that the Commission be authorized to expend this amount for a sub-station. Commissioner Thornton said the Civic Hydro Commission had been appointed to obtain plans, specifications and estimates of distribution system.

Commissioner Wigmore moved in amendment that the matter lie on the table until the tenders for all the equipment for the sub-station were opened. Some of these were due on February 12. He said his idea was to check the different items against the original estimates.

Commissioner Wigmore said that he was prepared to support the motion if the ten per cent. for incidentals was struck out. He made an amendment to this effect, Commissioner Thornton withdrawing his amendment to lie on the table.

Commissioner Frink, in supporting the amendment, said it was time that the Hydro Commission came out with a plain statement as to the total cost of the whole distribution system. Commissioner Bullock reminded that so far the contracts for work and equipment had all been below estimate. The amendment was carried.

Assessment Matter. The Mayor brought up the matter of proposed legislation covering the assessment or residents of the county, working in the city. Commissioner Frink said that he understood it affected the city to the extent of a quarter of a million dollars. The loss to the city would amount to some \$6,000.

The Mayor moved that a bill be prepared repealing the sub-section covering the point in question. Carried.

Advertising The City. P. H. Butler was present regarding a proposed publication of the Business Review and Maritime Retailer for which he asked a grant of \$1,000 from the city. Commissioner Wigmore said that in a previous publication the city took 2,000 copies and paid \$300.

Mr. Butler said that a new proposal was to reduce the size of the publication by one-half and ask the city for \$500. It was proposed to print 4,000 copies. The Board of Trade and the Tourist Association, Commissioner Thornton said, purchased a quantity of the previous publication. Commissioner Bullock said that this would be an opportunity to let the world know that the city was to have the advantages of hydro, and he proposed that the proposed expenditure of \$500 be recommended to council. The recommendation carried.

LOCAL NEWS

POLICE COURT. Two men charged with drunkenness this morning were remanded.

BANK CLEARINGS. St. John bank clearings this week were \$2,882,273; last week, \$2,555,542; in 1921, \$4,638,877. The Halifax Clearings this week were \$2,897,653; Montreal, \$977,967.

DEATH OF CHILD. Friends of Mr. and Mrs. J. A. Ellingwood of 101 Queen street will be sorry to learn of the death of their infant daughter, Constance Eleane, which occurred suddenly. Burial will be tomorrow.

RETURN TO N. S. The Lovers' Minstrel Troup, who performed in St. Peter's new auditorium on last Monday and Tuesday, left this afternoon for their homes in Bedford, N. S. While here they were in charge of Rev. Father Martin, who returned with them.

CURLING RINK AFFIRE. Members of the Thistle Curling Club, who played on St. Stephen last evening, returned to the city on the Montreal train at noon today. They reported that the curling rink there caught fire early this morning and that it was quite badly damaged.

PUBLIC INSPECTION. The epidemic annex to the General Public Hospital was thrown open this afternoon from 8 to 6 o'clock for an inspection by the public following the renovating work done recently. The building is completely refitted and is reported in excellent condition.

MORE ICE TROUBLE. The Board of Trade was notified this morning that the steamer Connors Bros. was forced to return to this city last night on account of the choked condition of the harbors at Black's Harbor and St. Andrews. The ice is said to be fairly thin but too heavy for a wooden ship to break up.

THE OTTAWA DELEGATES. George E. Barbour, president of the St. John Board of Trade, returned to the city this morning from the meeting of the city part of the province. He will confer with the Mayor this afternoon in regard to the matter of a delegation to Ottawa to attend an extended breakwater and additional port equipment on the Federal Government.

A TROUBLESOME PRACTICE. Two juveniles who were before the magistrate yesterday charged with annoying pedestrians by begging in front of city theatres were allowed to go home with their parents on the understanding that they would be properly looked after and would not be allowed on the streets after seven o'clock in the evening. The practice indulged in by some of these youngsters constitutes a nuisance and annoyance and it is a difficult matter to deal with. A policeman said yesterday that it was almost impossible to catch the lads as they took to their heels as soon as they saw the brass buttons. If a policeman did succeed in catching one of them and inquired of a person whom he had seen the youngster accost the person, he would usually say that the boy asked the time or some such thing as that in order to avoid the necessity of giving evidence against him. He hoped that the case of these two would put a stop to the thing.

SUSSEX AND ST. JOHN IN BIG PUCK BATTLE

Last League Appearance of Swift Kings County Players Here.

Tomorrow night's game will be the last of the N. B. and P. E. League fixtures for local ice. The remarkable showing of the St. John's in this league is the subject of favorable comment from the hockey fans throughout the province. Developing a good team is generally admitted to be a matter of three years but St. John has in a few weeks produced a team capable of giving the best in the province a hard go.

Of the Sussex aggregation too much cannot be said. They are, in the opinion of many of the fans, the best in the Maritime League. Their team work and head work can be counted on to pull them out of many a tight corner. Other dates have been arranged for the appearance of the Sussex team in St. John so this will probably be the last opportunity the fans will have of seeing this superb hockey machine in operation.

The St. John team will be similar to that which surprised the fans by taking Marysville into camp on Monday. A final practice of the St. Johns this afternoon will put the finishing touches on the team, and tomorrow night will see them in first class condition for the hardest battle they have yet had on home ice.

PRESIDENT IN TRIBUTE TO HEAD OF THE C. N. R.

New York, Feb. 8. — (Canadian Press). Sir Henry Thornton was guest at a dinner given at the Ritz Carlton last night by Dudley F. Malone. President Harding sent a message in which he said of Sir Henry: "A native of our own country, his services in England during the war was one of the ties which drew the two nations together, and now that he is returning to America to bear a distinguished part in the national road service of Canada, he will continue as one of the willing hostages whom the people of the U. S. are proud to give in the interest of understanding and friendship among all the English-speaking nations."

GRAHAM-BREWER. At the Brunswick street Baptist parsonage, Fredericton, on Tuesday, Rev. G. C. Warren united in marriage Mrs. Ida Wright Brewer of Toronto and Albert S. Graham of Woodstock. They will reside in Woodstock.

to the unsuccessful bidders in the sub-station contract the deposit checks sent in by them and the check of the successful tenderer be handed over to the city controller.

SHOE DEALERS TO MEET HERE FEB. 16

Session in Halifax on Tuesday—Trade on a Sounder Basis.

(Halifax Chronicle, Wednesday) Members of the Wholesale Shoe Association which included wholesale dealers in rubber goods as well, were in annual session at the Halifax Hotel Roy Weaver, manager of the Shoe and Wholesalers Association of Canada, and the Shoe Manufacturers' Association of Canada. Mr. Weaver reviewed the work during the past year of the National Association of Wholesalers and Retailers for the new service of credit information on retail shoe store accounts, which is being instituted by the manufacturers and wholesalers jointly.

The speaker stated that such new service would afford protection to the better element in the retail trade by providing the supply houses with information which would enable them to discriminate equitably between dependable merchants deserving credit and irresponsible accounts. The retailers themselves welcome this new activity and many had indicated their willingness to cooperate with the Shoe Trade Credit Bureaus by furnishing financial statements and otherwise.

Mr. Weaver said that since the Armistice almost 45 shoe manufacturing establishments, close to 81 wholesale houses and several hundred retail shoe stores, had failed or been obliged to compromise with their creditors, or discontinue business because the returns were unsatisfactory or been forced into financial reorganizations. This indicated that the warring out process in the trade had been very thorough and the shoe trade was on a sounder basis than a year ago. Manufacturers and wholesalers had been forced to take a firm stand in regard to assignments. Mr. Weaver had emphasized the greater soundness of fundamental conditions, expressed the opinion that business generally throughout Canada was on the mend, and predicted steadily, although perhaps not spectacular improvement.

Among those attending the conference were C. S. Sutherland, of the Annapolis and Shoe Company of Annapolis, who in the absence of the President of the association, Mr. H. H. Blanding, of St. John, presided over the conference as Vice-President, Col. A. E. Massey, Walter Stewart, R. T. Hayes, John; Mr. Godner, representing the Miner Rubber Company, representing the Dominion Rubber System of Canada in Halifax, Eric Spitzner, of Annapolis, representing the E. K. W. Co., and J. W. Priest of Pictou. The conference adjourned last night after an all day discussion of matters relating to the trade, and will meet again at St. John on February 16th where they will elect officers for the ensuing year.

THREE TO ONE IN ST. JOHN'S FAVOR

A Statement of Passengers Brought to This Port and Halifax This Season to Date.

Owing to a question being raised as to the number of passengers arriving at St. John and the port of Halifax to date this season the following list has been compiled showing the names of the steamships and the number of passengers carried. The list shows that a total of 4,768 passengers landed at this port, while 1,621 arrived at Halifax. The statement follows:

Table with 4 columns: Date, Steamer, 1st, 2nd, 3rd. Lists arrivals at St. John, N. B. and Halifax.

Fatally Hurt in Montreal; Said To Be From Here

Thos. Hubbard Falls Down Stairs in House—Had Ticket For Europe and Much Money.

Montreal, Feb. 8.—Probably fatally injured by a fall down stairs at 122 Lagache street east, Thomas Hubbard, 61 years of age, of St. John, N. B., was admitted to the General Hospital last night. It is thought that his skull is fractured. Constables Marion and Guimond of the City Hall avenue station, who investigated, were informed that Hubbard had been walking up the stairs when, near the top, his foot had slipped on a step, protected by a brass plate. A ticket to Europe and a large sum of money were found in Hubbard's pockets.

Advertisement for Automobile Skates: "There's a style and grace to the designs—a brilliance to the finish—a keenness to the edge—that puts C. C. M. Automobile Skates in a class by themselves." Includes illustration of skates and contact information: McAVITY'S, 11-17 King Street.

Advertisement for Boy's Shop: "Every boy is welcome to come right into our Boys' Shop and look around, stand around, sit around. If he wants to he may ask the salesman to try on a new spring suit or topcoat, but he must not feel he is obliged to." Includes illustration of a boy and contact information: OAK HALL - SCOVIL BROS., LTD. KING STREET.

Advertisement for Muskrat Coats: "How about getting up some kind of a stunt for the big Carnival Torchlight Parade? There is a prize of \$15.00 for the best private turnout." Includes contact information: A. Ernest Coverett, THE HOUSE FURNISHER, 91 CHARLOTTE STREET.