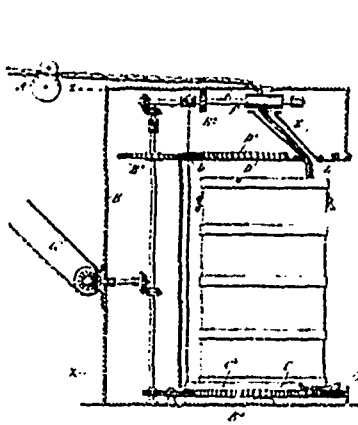
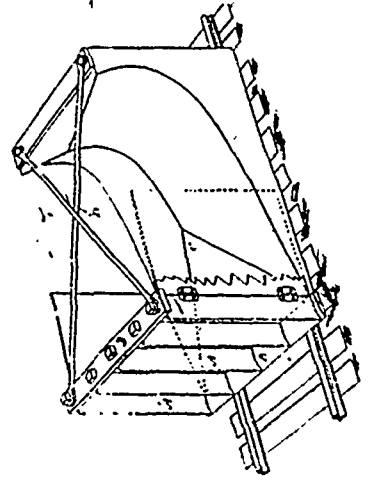


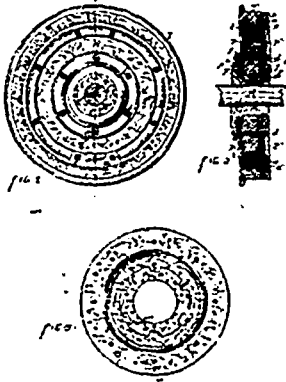
28403 Anderson's Pressure Percolator.



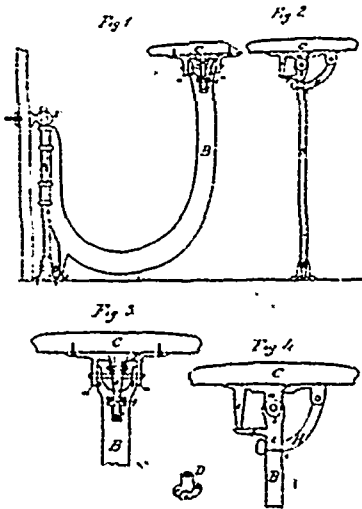
28404 Coyle's Machine for Colling Silver.



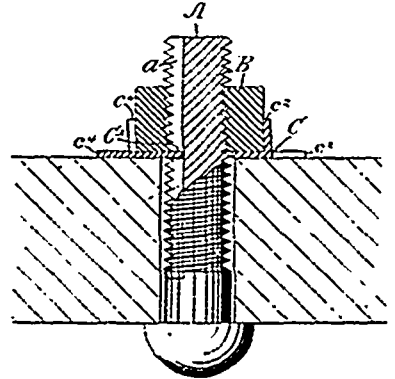
28405 Bentzler's Snow-Plough.



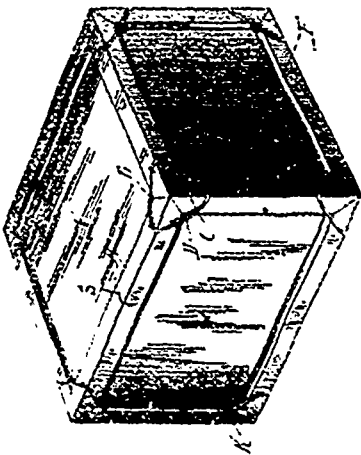
28406 Peckham's Car Wheel.



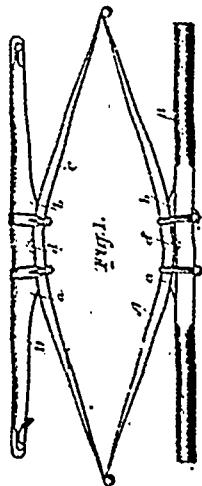
28407 Scott's Store Stool.



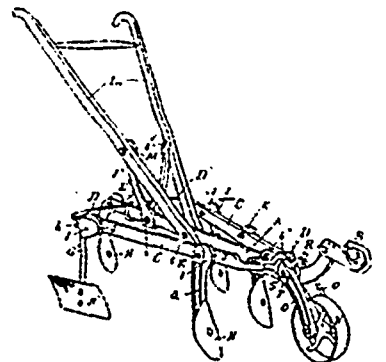
28408 Ross's Nut-Lock.



Underman's Packing Box



Armstrong's Single Plate Carriage Spring



Mallery's Cultivator.