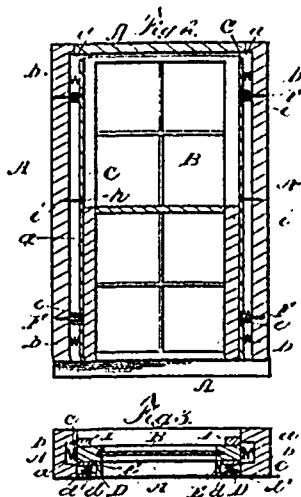
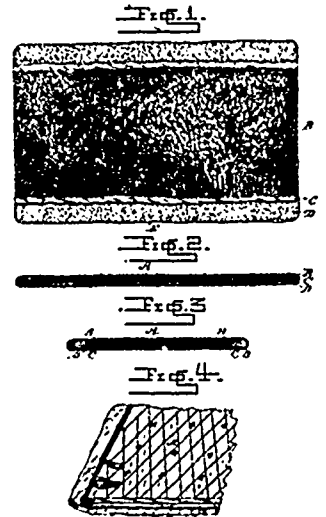


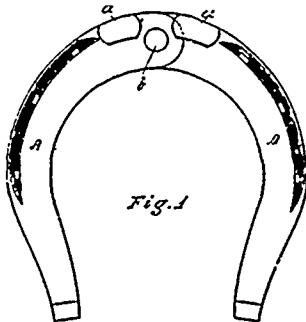
24165 Smaltig's Sad Iron.



24166 Wilkinson's Sash Holder.



24167 Nelson's Construction of Mattresses.



24168 Gordon's Horse Shoe.



Fig. 1

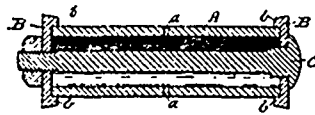
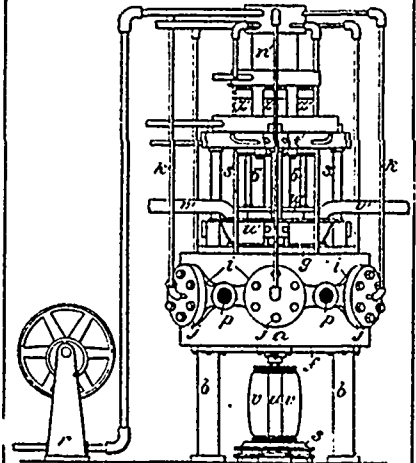


Fig. 2

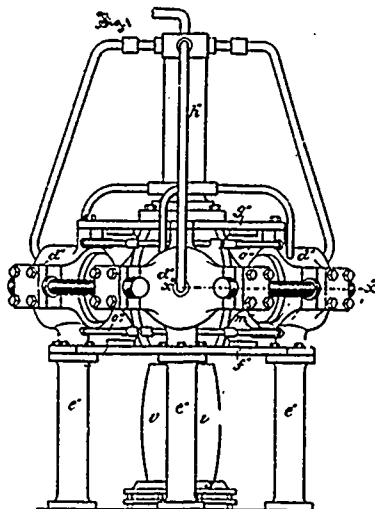


Fig. 3

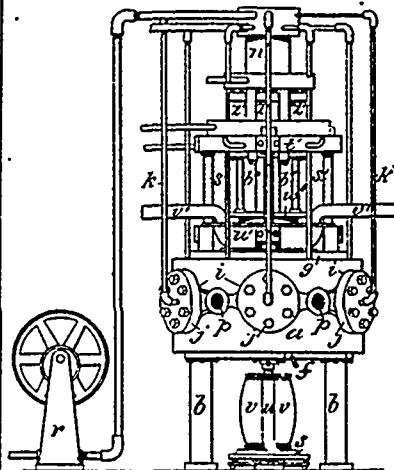
24169 Browne's Self-Lubricating Pulley Pin.



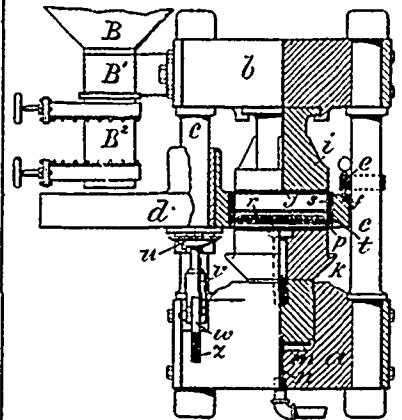
24170 Hotchkiss' Manufacture of Barrel-bodies and the like.



24171 Mason's Machine for Drying and Pressing Pulp Barrel-bodies.



24172 Mason's Manufacture of Barrel-bodies from Pulp.



24173 Mason's Making Barrel-heads from Pulp.