

The Canadian Patent Office

RECORD





Vol. XXIII.—No. 4.

APRIL 30th, 1895.

Price free by post in Canada and the United States, \$2.00.
SINGLE NUMBERS, - - - 20 Cts.

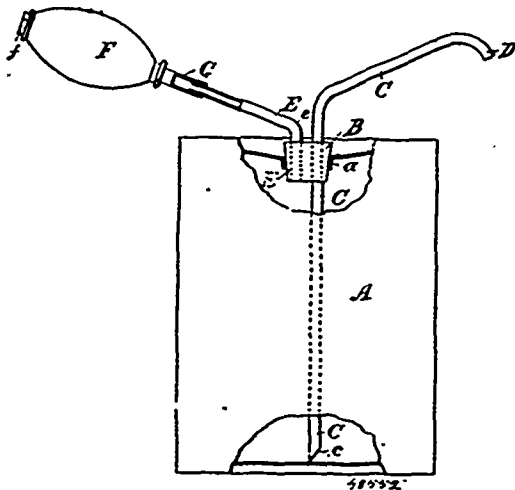
NOTICE.

All solicitors, agents or attorneys who, in circulars or advertisements, or otherwise, refer to the Commissioner or Deputy Commissioner of Patents, or to any other official of the Patent Office, for evidence of their professional standing, do so without authority.

INVENTIONS PATENTED.

NOTE.—Patents are granted for 15 years. The term of years for which the fee has been paid, is given after the date of the patent.

No. 48,552. Oil Can. (*Bidon à huile.*)

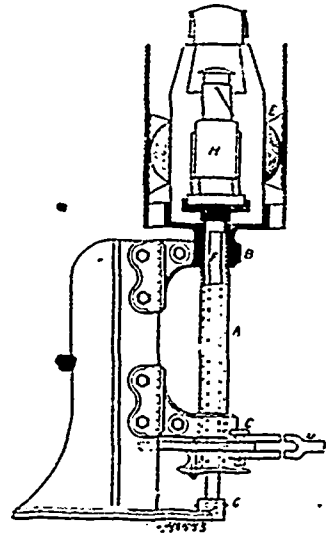


William Henry Hay and Joseph Robert Cameron, both of Ottawa, Ontario, Canada, 1st April, 1895; 6 years.

Claim.—1st. In a device for drawing off the contents of a vessel consisting of a plug or stopper placed in an aperture in the upper part of the said vessel, two tubes passing through the said plug, one of the said tubes reaching down to or near the bottom of the said vessel and having its upper end above the plug bent and finishing with a downturned end, the other tube passing through the said plug but finishing above the level of the liquid, that may be contained in the said vessel, the upper end of the said tube being provided with a flexible bulb having a valve and adapted to force air into the said vessel, substantially as set forth. 2nd. In a device for drawing off liquids from vessels, the combination with the plug B adapted to fit in an aperture in the upper part of a vessel, the tube C passing through said plug and having its lower end bevelled off, the upper end of the said tube being downturned, of the tube F passing through the said plug, the lower end of the said tube finishing above the surface of the liquid contained in the said vessel, a flexible bulb F, having a valve f detachably secured to the upper end of the said tube F, substantially as set forth.

No. 48,553. Switch Indicator Signal.

(*Signal d'indicateur d'aiguille de chemin de fer.*)

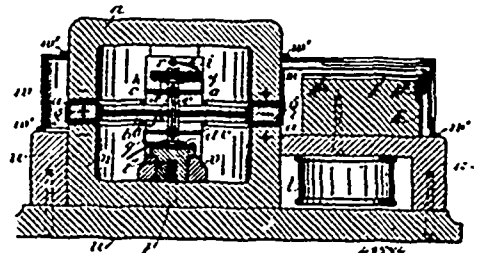


The Canada Switch Manufacturing Company, Montreal, Quebec, Canada, assignee of Charles Hodgson, Canterbury Road, England, 1st April, 1895; 6 years.

Claim.—A railway switch indicator constructed with its lamp fixed on a stationary central rod or tube, and the lantern inclosing the lamp fixed on an internal rotating tube, substantially as described.

No. 48,554. Ammeter and Voltmeter.

(*Ammètre et voltmètre.*)



Edward W. Jewell and William Zimmerman, both of Chicago, Illinois, U.S.A., 1st April, 1895; 6 years.

Claim.—1st. The combination with bell-shaped magnets and annular armature between their poles, of a counteracted conductor surrounding said armature, an index, and a scale, substantially as specified. 2nd. The combination with permanent and similarly