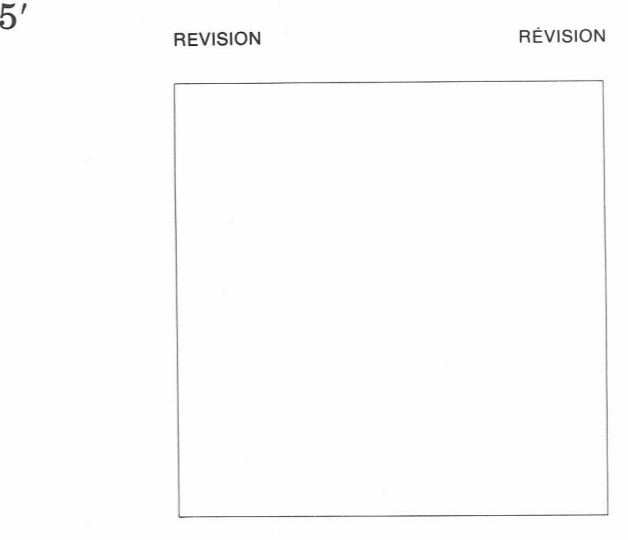
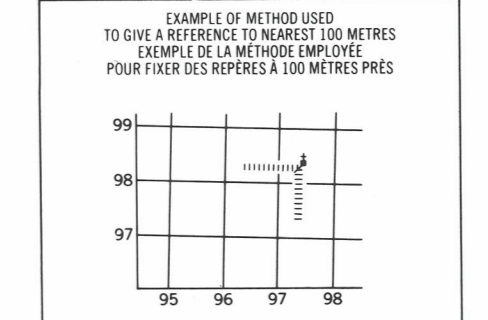
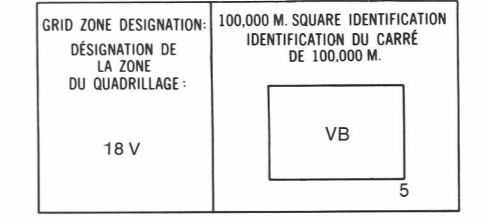
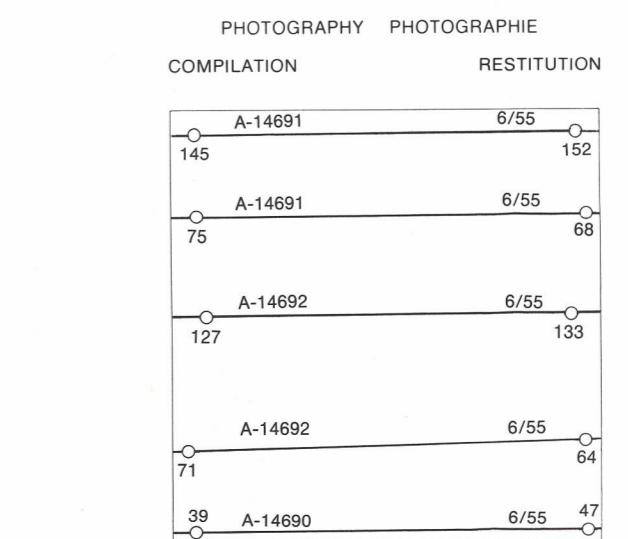


LEGEND - LÉGENDE

Legend table with two columns: English and French descriptions of symbols for roads, bridges, buildings, water features, and boundaries.



REFERENCE POINT... EASTING... LONGITUDE... NORTHING... GRID REFERENCE SYMBOL... Example of grid reference.

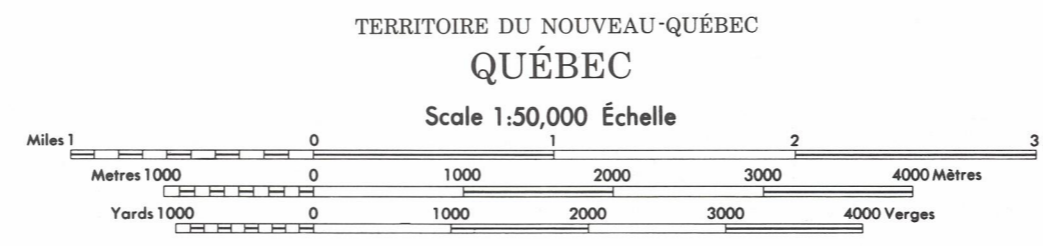
Table of grid zone designations: 35 B/5, 35 B/6, 35 B/7, 35 B/4, 35 B/3, 35 B/2, 34-O/13, 34-O/14, 34-O/15.

ONE THOUSAND METRE UNIVERSAL TRANSVERSE MERCATOR GRID ZONE 18 QUADRILLAGE DE MILLE MÈTRES UNIVERSEL TRANSVERSE DE MERCATOR

The 1979 MAGNETIC BEARING is 31°00' (553 miles) WEST OF GRID NORTH. ANNUAL CHANGE DECREASING 12.8". GRID NORTH is 0°12' (4 miles) WEST OF TRUE NORTH (at centre of map).

PRODUCED BY THE SURVEYS AND MAPPING BRANCH, DEPARTMENT OF ENERGY, MINES AND RESOURCES, OTTAWA, 1979. INFORMATION CURRENT AS OF 1955.

ELEVATIONS IN METRES ABOVE MEAN SEA LEVEL. CONTOUR INTERVAL 10 METRES. NORTH AMERICAN DATUM 1927. TRANSVERSE MERCATOR PROJECTION.



ELEVATIONS IN METRES AU-DESSUS DU NIVEAU MOYEN DE LA MER. ÉQUIDISTANCE DES COURBES 10 MÈTRES. SYSTÈME DE RÉFÉRENCE GÉODÉSIQUE NORD-AMÉRICAIN 1927. PROJECTION TRANSVERSE DE MERCATOR.

ÉTABLIE PAR LA DIRECTION DES LÈVES ET DE LA CARTOGRAPHIE, LE MINISTÈRE DE L'ÉNERGIE, DES MINES ET DES RESSOURCES, OTTAWA, EN 1979. RENSEIGNEMENTS À JOUR EN 1955.

