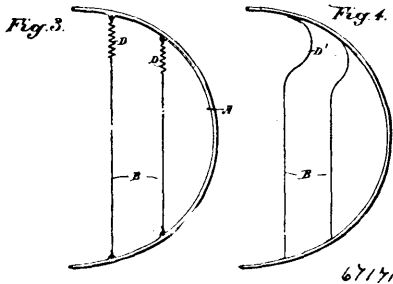
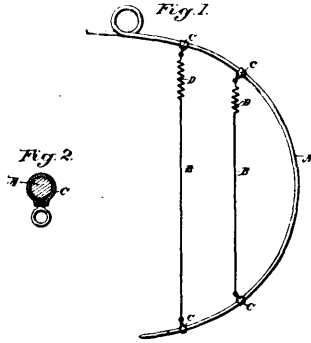


tions with the exterior teeth of the rake to form attachments for the ends of the wires, said connections being so disposed that the wires



extend in an approximately vertical position from the upper part of the tooth to attachments adjacent to the point thereof when the teeth are in operative position.

No. 67,172. Glove Fastener. (Attache de gants.)



Fig. 1



Fig. 2



Fig. 3



Fig. 4



Fig. 5

Fig. 6



Fig. 7



Fig. 8

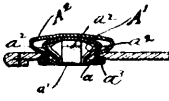


Fig. 9



Fig. 10



Fig. 11

67172

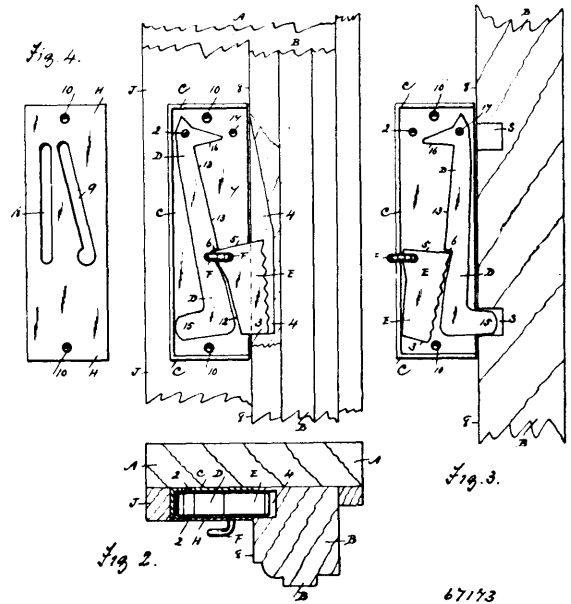
William S. Richardson, Boston, Massachusetts, U.S.A., 1st May, 1900; 6 years. (Filed 12th April, 1900.)

Claim.—1st. The socket piece her-in described, the same having separable sides foldable outwardly at a predetermined place to form in the act of setting the said piece a sectional flat fastening flange, an inextensible preformed flange connecting the sides of the piece

at one end and providing upon the folding of the sides an unyielding socket entrance and an integral top connecting the sides of the socket piece at the end opposite the preformed flange. 2nd. The socket piece herein described, the same having separable sides foldable outwardly at a predetermined place to form in the act of setting the said piece a sectional flat fastening flange, an inextensible preformed flange connecting the sides of the piece at one end and providing upon the folding of the sides an unyielding socket entrance, and consisting of outwardly folded ends of said sides, and an outer binding ring and an integral top connecting the sides of the socket piece at the end opposite the preformed flange. 3rd. The combination in a fastener of the character specified, of the socket member having an extensible preformed flange providing an unyielding socket entrance, a sectional flat fastening flange formed by outward folds of the separable sides upon the surface of the material opposite that upon which the preformed flange bears, and which are developed in the act of setting the member, and a ball member to engage the socket member.

No. 67,173. Sash Balance and Lock.

(Contre-poids et serrure de croisée.)



67173

William E. Tuck, Burlington, Ontario, Canada, 1st May, 1900; 6 years. (Filed 14th April, 1900.)

Claim.—1st. In a window sash balance, a metallic casing with cover secured to the side of a window frame, a lever pivoted to the upper part of the casing and the cover, a cam having a corrugated face in said casing and capable of its own gravity of engaging with the face of said lever and with the face of the sash to balance the same, and a handle on said cam, an oblique slot in said cover for the operation of said handle in lifting the cam to release the sash, as described. 2nd. In a window sash balance and lock, a casing with cover secured to the side of a window frame, a lever pivoted to the upper part of the casing and cover, a cam in said casing capable of its own gravity of engaging with the face of the lever, the corrugated face of said cam engaging with the face of the sash to balance the same, a notch in the sash, a shoulder in the face of the lever to allow the cam to engage with said shoulder and with the lower end of said notch to lock the sash, and a handle on the cam, an oblique slot in said cover for said handle to operate the cam and release the sash, as described. 3rd. In a window sash lock, a metallic casing with cover secured to the side of a window frame, a lever secured to the upper part of the casing and cover, a cam capable of its own gravity of engaging with the inner side of the casing and with the face of the lever, a lower projection on said lever, sockets in the face of the sash for said projection to enter by the falling of said cam, a shoulder in the face of the lever for the upper part of the cam to engage and lock the sash, and a handle on the cam, a vertical slot in the cover for said handle to operate the cam when releasing the sash, as described.

No. 67,174. Shovel. (Pellic.)

Peter Nicolay, Minneapolis, Minnesota, U.S.A., 1st May, 1900; 6 years. (Filed 14th April, 1900.)

Claim.—1st. A shovel, comprising a blade, and a handle composed of folding tubular sections or parts, a single hinge connecting said sections, the leaves or straps of said hinge lying within the circumference of the respective sections to which they are secured,