

The Canadian Patent Office

RECORD





Vol. XXVI.—No. 10.

OCTOBER 31st, 1898.

Price free by post in Canada and the United States, \$2.00.
SINGLE NUMBERS, - - - 20 Cts.

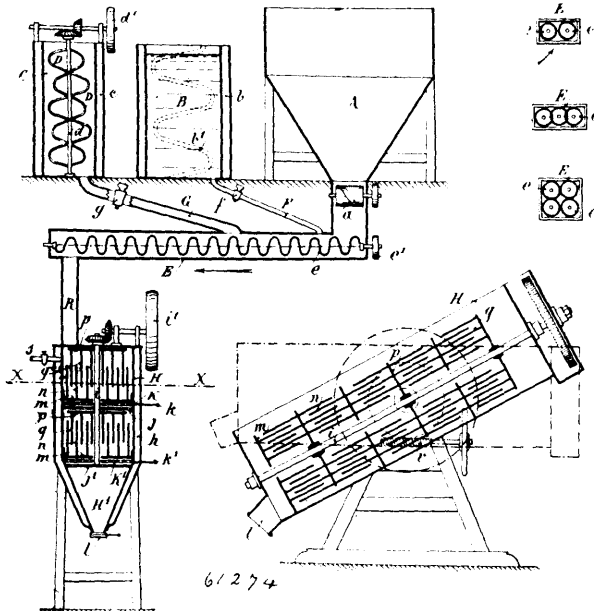
NOTICE.

All solicitors, agents or attorneys who, in circulars or advertisements, or otherwise, refer to the Commissioner or Deputy Commissioner of Patents, or to any other official of the Patent Office, for evidence of their professional standing, do so without authority.

INVENTIONS PATENTED.

NOTE.—Patents are granted for 18 years. The term of years for which the fee has been paid, is given after the date of the patent.

No. 61,274. Bread Making Machinery. (Appareil à faire du pain.)

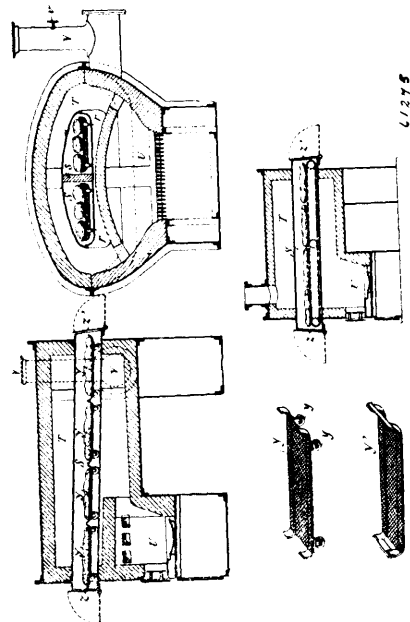


La Société Internationale de Meunerie et de Panification Système Schweitzer, Brussels, Belgium, assignee of Joseph Schweitzer, Paris, France, 1st October, 1898; 6 years. (Filed 17th March, 1898.)

Claim.—1st. In a bread making apparatus, the combination with a mixing trough adapted to receive and feed the ingredients of the bread to be mixed, of a receiving hopper, a salt water receptacle and a great mixing receptacle each communicating with such trough and a finishing receptacle with which said trough communicates, all substantially as shown and described and for the purpose set forth. 2nd. In bread making apparatus, the combination with receptacles containing the ingredients of the bread to be mixed, of a mixing

trough receiving at suitable points the ingredients and containing two or more helices revolving in a suitable direction for mixing the paste and causing it to travel along the trough, substantially as shown and described and for the purpose set forth. 3rd. In bread making apparatus the combination with mixing and feeding appliances, of a finishing receptacle in the form of a cylinder having fixed spits or spindles arranged parallel with its axis, a revolving shaft in line with the axis of the cylinder and provided with spits arranged in the same direction as the fixed spits and means for rotating said shaft, all substantially as shown and described and for the purpose set forth. 4th. In bread making apparatus, the finishing receptacle comprising the cylinder H having the fixed and movable spits *u u* *p q* hereinbefore described, the revolving shaft *i* and the means for rotating same, substantially as shown and described and for the purpose set forth. 5th. In bread making apparatus having mixing, feeding and finishing appliances, the yeast receptacle *c* having the double helix *D* formed of a metallic wire spindle *d* and operating gear therefor, with outlet from the receptacle, as shown and described. 6th. In bread making apparatus, the combination with a mixing trough adapted to receive and feed the ingredients of the bread to be mixed, of a receiving hopper, a salt water receptacle having a heat appliance, and a yeast mixing receptacle having a heat appliance, each communicating with such trough, and a finishing receptacle also having a heat appliance, with which said trough communicates, substantially as shown and described and for the purpose set forth.

No. 61,275. Baking Oven. (Four à cuire.)



La Société Internationale de Meunerie et de Panification Système Schweitzer, Brussels, Belgium, assignee of Joseph Schweitzer, Paris, France, 1st October, 1898; 6 years. (Filed 1st June, 1898.)