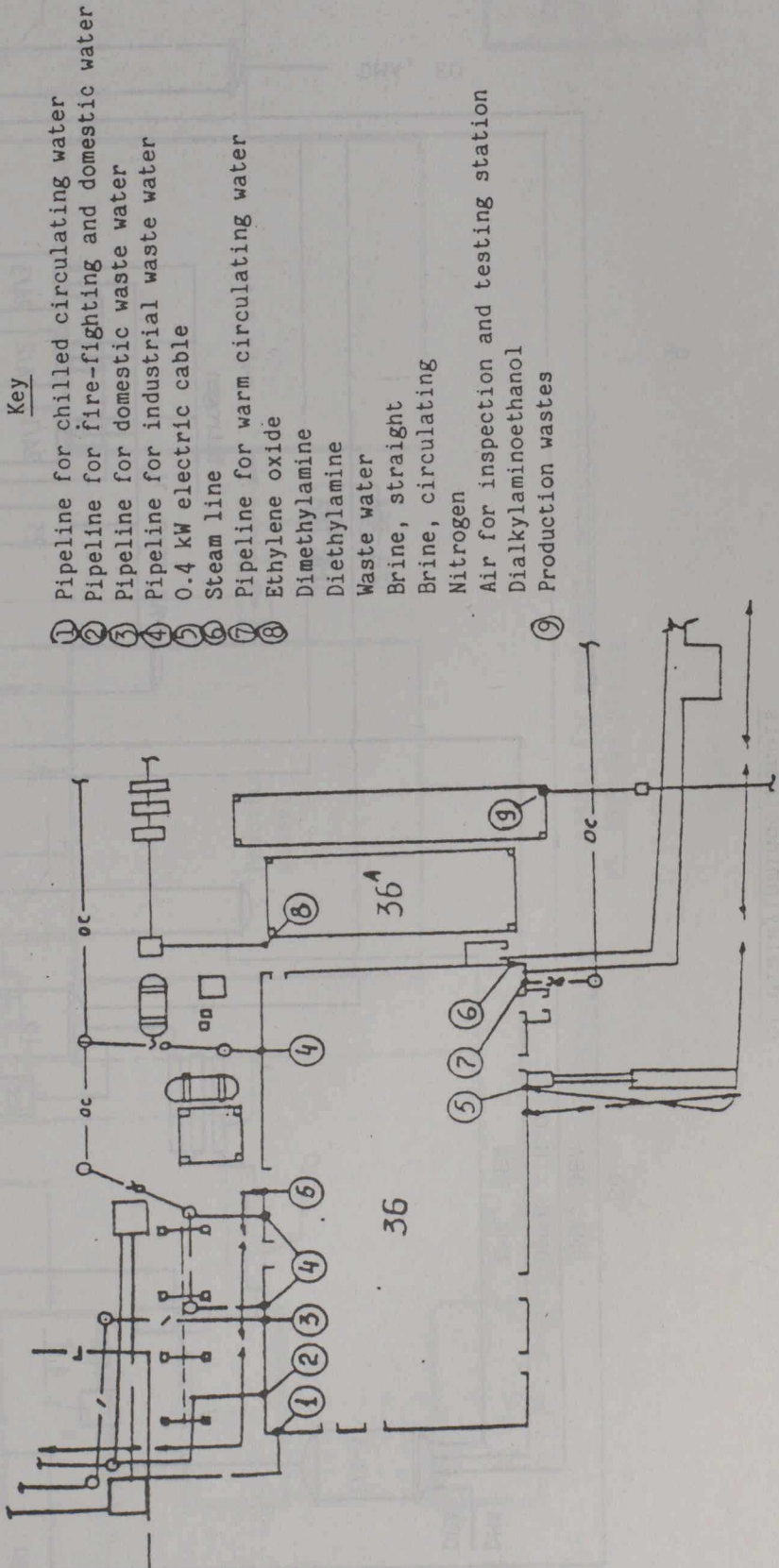
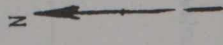


Plan of the dialkylaminoethanol production facility  
 at the "Sintez" production association



Key

- ① Pipeline for chilled circulating water
- ② Pipeline for fire-fighting and domestic water
- ③ Pipeline for domestic waste water
- ④ Pipeline for industrial waste water
- ⑤ 0.4 kW electric cable
- ⑥ Steam line
- ⑦ Pipeline for warm circulating water
- ⑧ Ethylene oxide
- Dimethylamine
- Diethylamine
- Waste water
- Brine, straight
- Brine, circulating
- Nitrogen
- Air for inspection and testing station
- Dialkylaminoethanol
- Production wastes

Figure 4