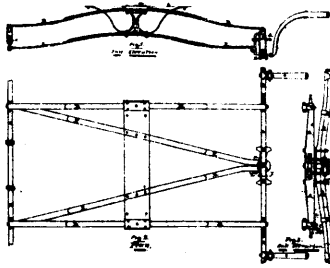
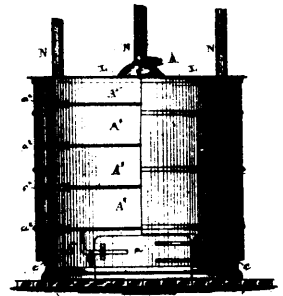


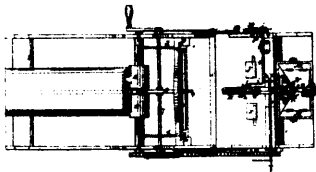
10308 Ackland's Improvements on the Dexter Spring.



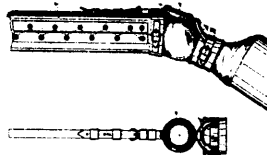
10309 Harberle's Improvements on Pumps.



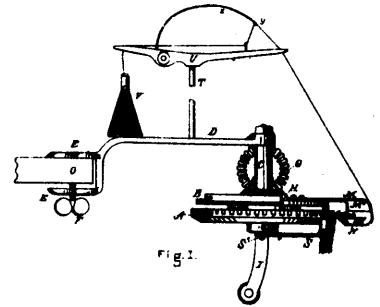
10310 Livingston & Wright's Improvements in Steam Boilers.



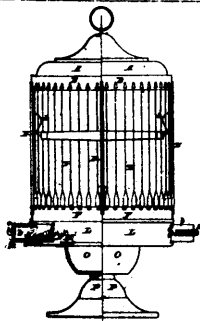
10311 Cross' Improvements in Paper Bag Machines.



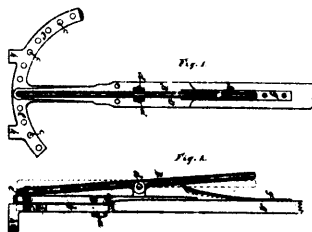
10312 Lehmann & Borendt's Protector for the Fetlock Sinews of Horses.



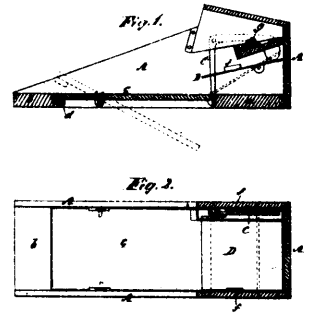
10313 Twombly's Improvements on Knitting Machines.



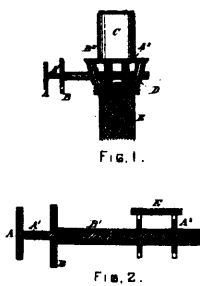
10314 Taft's Improvements in Bird Cages.



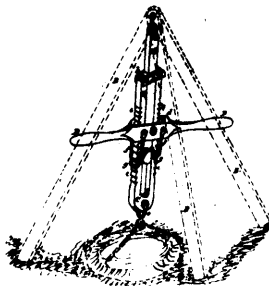
10315 McCrum's Improvements on Carriage Tops.



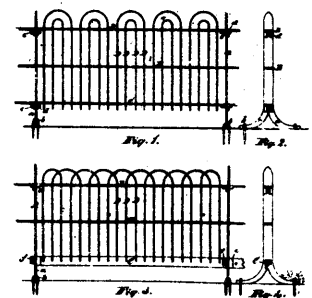
10316 Driscoll's Improvements on Animal Traps.



10317 Hyde's Improvements on Lamp Wick Adjusters.



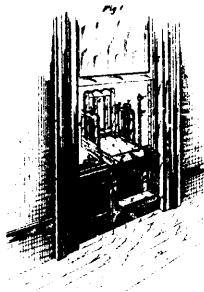
10318 Henshaw's Improvements in Stump Extractors.



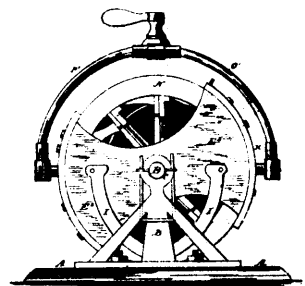
10319 Davy's Improvements on Iron Fences.



10320 Kelly & Matthews' Improvements in Musical Instruments



10321 Dormitzer's Window Cleaning Step Chair.



10322 Lespérance's Improvements on Rotary Engines.