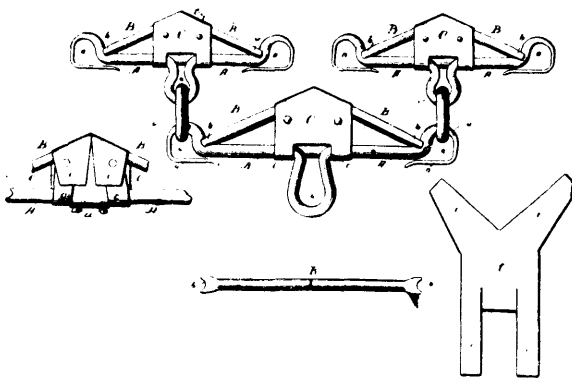


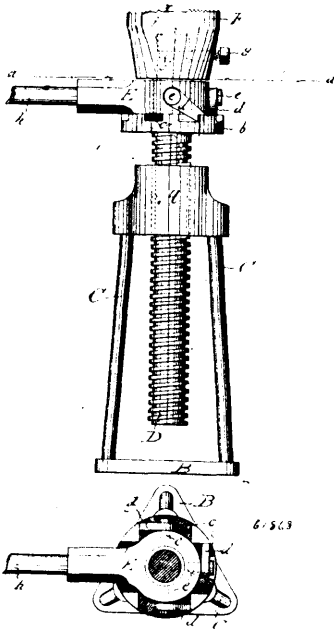
Claim.—In breast or single trees, the bar A, bent rearwardly at the middle to form the clevis a, and forwardly bent at the ends to

and are inclined inwardly toward each other, combined with a keeper, over the opposite edges of which the cam-surfaces catch when then



form the trace-hooks a', the said hooks being elongated made elastic and carried back to rest on or nearly on the said bar A, as shown and described.

No. 61,868. Lifting Jack. (*Appareil de relevage.*)



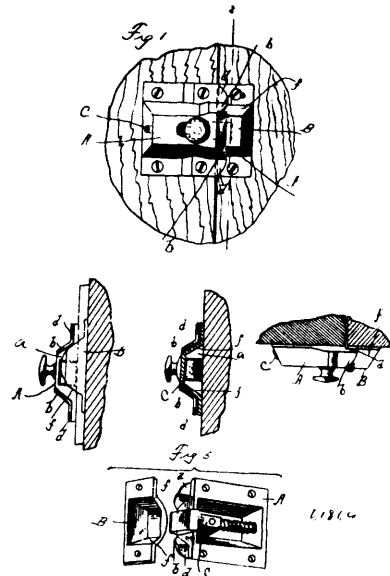
Andrew Olsen and Albert E. Fraser, Nanaimo, British Columbia, Canada, 1st December, 1898; 6 years. (Filed 26th October, 1898.)

Claim.—1st. In a lifting-jack, the portion of the main frame A, having the screw D, threaded therein, a fixed flange b near the top of the screw, pawl recesses c, in said flange, a lever socket E, arranged to lie upon the said flange and turn on the shank of the screw, and reversible pawls pivoted to the said socket, as and for the purpose set forth. 2nd. In a lifting-jack, the combination with a screw threaded into a top-frame piece A, and a head-piece F arranged to turn and rest on the upper end of the shank of the said screw, a flange integral with the screw, having pawl recesses therein, a lever socket embracing the shank of the screw, the same lying between the said flange and the head-piece F, and a plurality of reversible pawls d, pivoted to the rounded vertical wall of the said socket, as and for the purposes specified.

No. 61,869. Latch. (*Loquet.*)

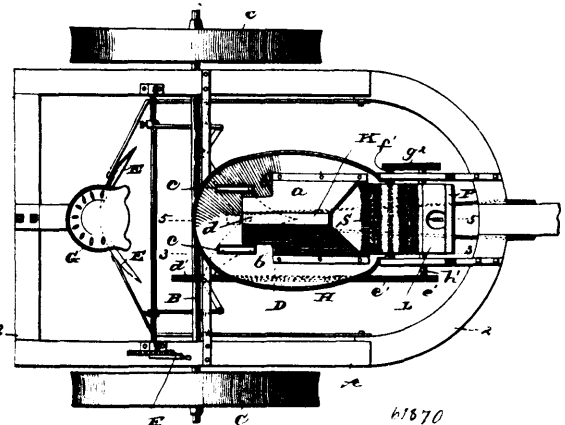
Joseph D. Woodbury and Francis L. Olds, both of Springfield, Massachusetts, U.S.A., 1st December, 1898; 6 years. (Filed 24th October, 1898.)

Claim.—In a fastening device for doors, the latch-case, provided with cam-surfaces b, which project over the inner end of the casing



door is closed and prevent the door from sagging, substantially as shown.

No. 61,870. Potato Planter. (*Semoir à patates.*)



Joseph A. Mengel, George K. Binkley, both of Orwigsburg, and George H. Gerber, Pottsville, all in Pennsylvania, U.S.A., 1st December, 1898; 6 years. (Filed 22nd October, 1898.)

Claim.—1st. In a potato planter, a hopper provided with means for discharging potatoes from both sides of the centre of the hopper, an agitator for each discharge and an intermediate agitator, in combination with a conveyor for delivering the potatoes. 2nd. In a potato planter, a hopper provided with discharge openings on both sides of the centre of the hopper, an agitator for each opening and an intermediate agitator, in combination with a conveyer provided with pockets, means for engaging a potato in each pocket and means for releasing the potatoes. 3rd. In a potato planter, a hopper provided with agitators projecting through the wall of the hopper and suitable discharge openings, in combination with the conveyer constructed to operate said agitators in its rotation. 4th. In a potato planter, a hopper, in combination with a conveyer provided with pockets, means operating in each pocket to agitate potatoes in the pocket and engage one potato, and means for releasing the potatoes. 5th. In a potato planter, a hopper, in combination with a conveyer provided with pockets, means operating in each pocket to agitate potatoes in the pocket and engage one potato and a track with which said means engage to agitate and release the potatoes. 6th. In a potato planter, a hopper, in combination with a conveyer provided with pockets, means operating in each pocket to agitate potatoes in the pocket, eject surplus potatoes and engage one potato, and means for releasing the potatoes. 7th. In a potato planter, a hopper, in combination with a conveyer provided with pockets, means operating in each pocket to agitate potatoes in the pocket, eject surplus potatoes and engage one potato and a track with which said means engage. 8th. In a potato planter, a conveyer