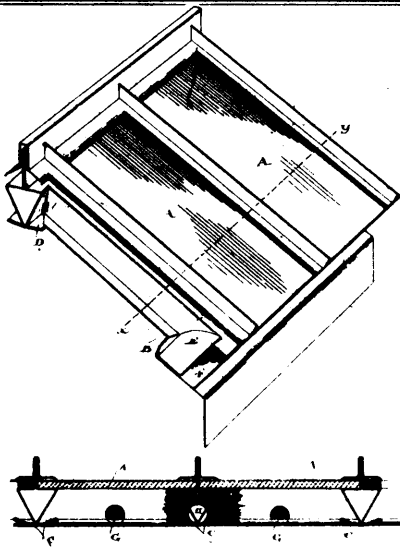
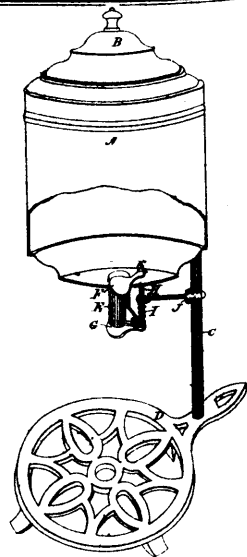


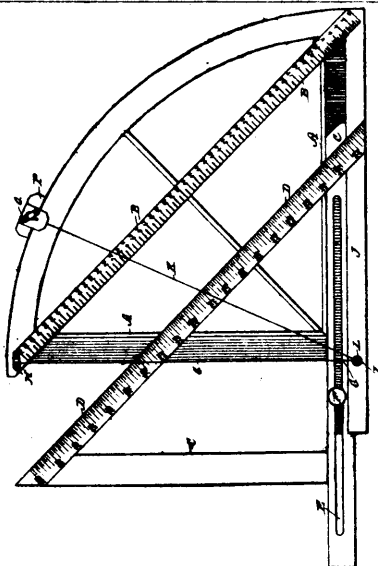
18665 Magee's Neck Yoke for Horses.



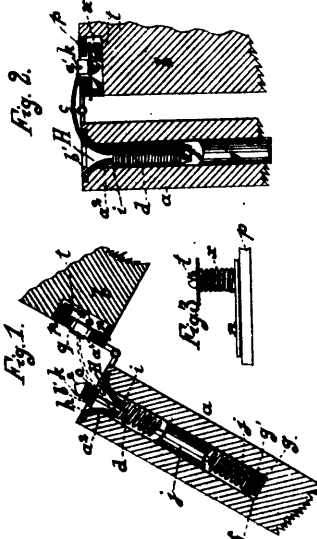
18666 Douglas' Skylight Sash.



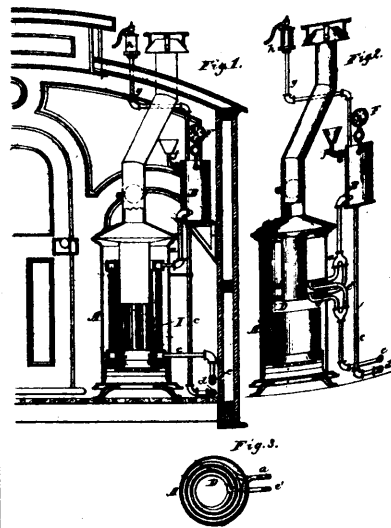
18667 McCarthy's Sugar Bowl.



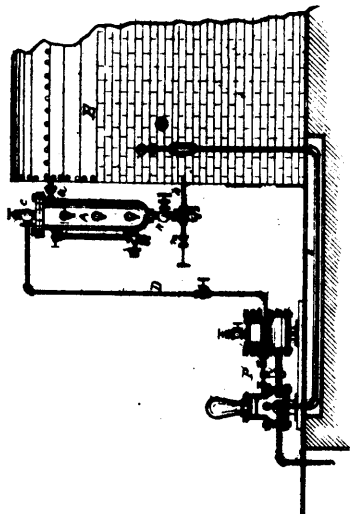
18668 Tucker's Percentage Calculator



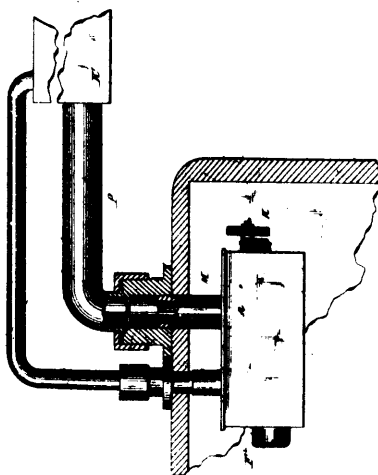
18669 Moore's Door Spring.



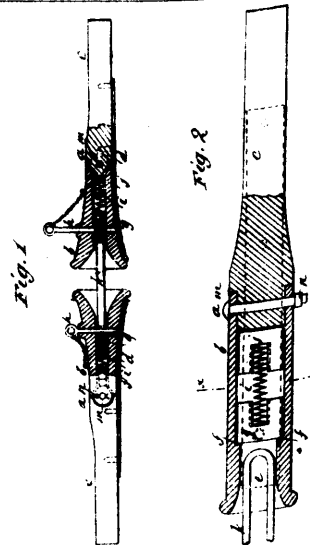
18670 Johnson & Buerkel's Heating Apparatus.



18671 Christman's Automatic Feed Water Regulator for Steam Boilers



18672 Jackson's Metrical Carburetter.



18673 Brown & Poole's Car-Coupler.