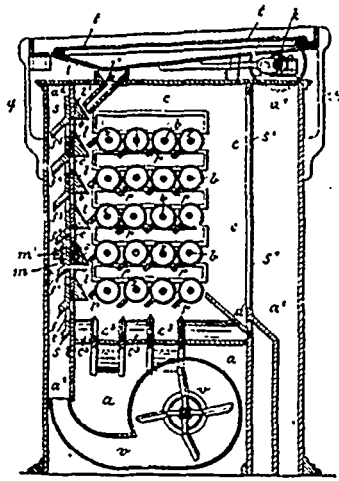
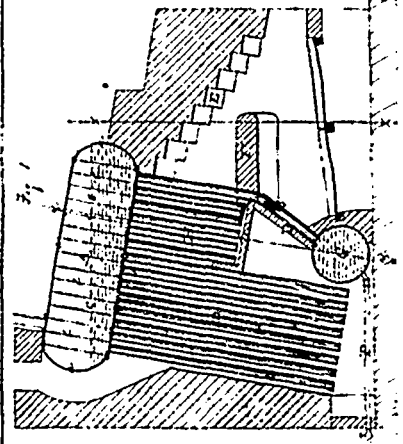


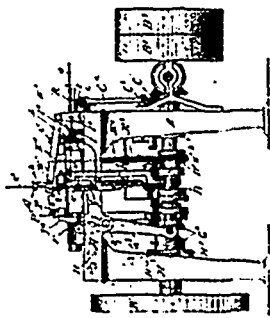
28412 Hill's Cullinary Utensil.



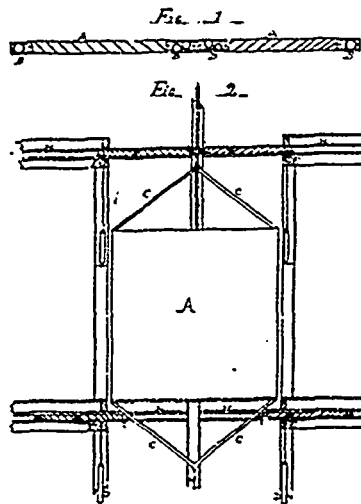
28413 Weiss' Separating Machine for Cleaning Groats.



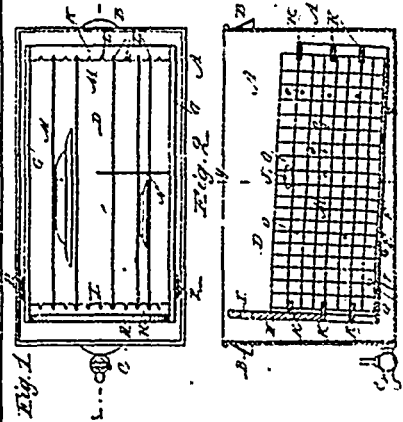
28414 Sterling's Steam Boiler, etc.



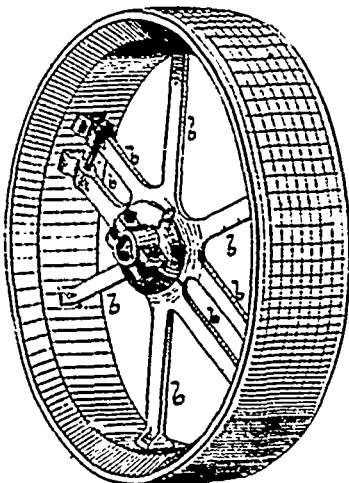
28415 Hill's Machine for Making Spur-Wheel Fencing.



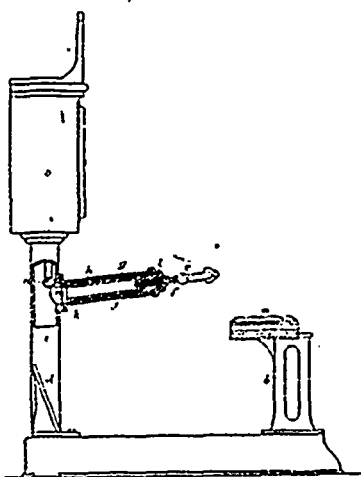
28416 Pirrio & Wizo's Shutter for Elevator Shafts.



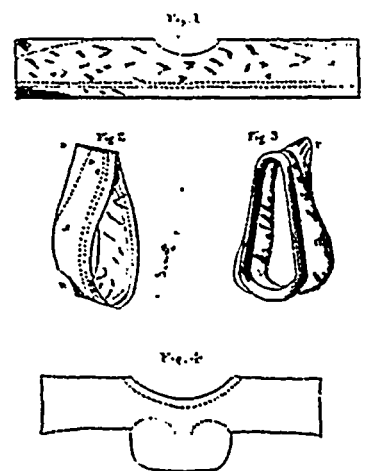
28417 Cox's Dish-Washing Machine.



28418 Dodge's Hand Pulley.



28419 Everitt's Machine for Testing Muscular Power.



28420 Coleman's Art of Manufacturing Horse Collars, etc.