

**You Want
Our Premiums!**

Every Premium We Offer Is Exceptionally Good Value.
We give greater value in our premiums than if you were paid cash commission.
NOTE THE FOLLOWING LIST OF PREMIUMS:

**We Want
New Subscribers!**

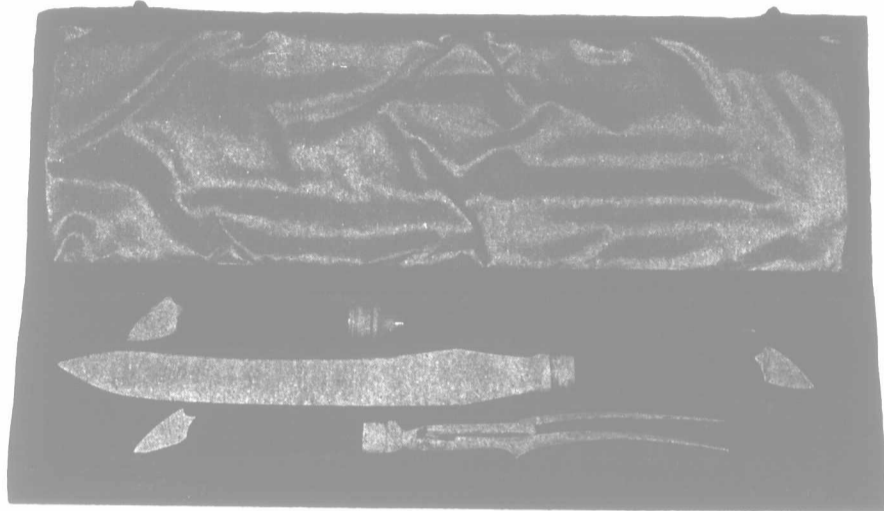
THE NUMBER OF NEW SUBSCRIBERS REQUIRED FOR PREMIUM IS MARKED OPPOSITE EACH.

40-PIECE AUSTRIAN CHINA TEA SET, handsome and dainty in shape, coloring and design; ordinarily retailing from \$4.00 to \$6.00, depending on locality. **4 new subscribers.**

FARMER'S ADVOCATE KNIVES, manufactured by Jos. Rodgers, Sheffield, England. Jackknife and Penknife, both nickel-handled and having two blades. These knives were manufactured specially for the Farmer's Advocate. Worth, retail, \$1.00 each. **1 new subscriber.**

DICTIONARY. An indispensable volume in every home. The Chambers' Twentieth Century Dictionary. Cloth bound, contains 1,200 pages, profusely illustrated, printed on superior quality of paper. **2 new subscribers.**

We must have honest workers. Changing the name from one member of the household to another, or deception of any kind, will not be allowed. If discovered, the premium will be withheld.



SET STAGHORN CARVERS. High-class goods. First quality of steel, and staghorn handles and handsome nickel mounting. These carvers will retail at \$3.50 to \$5.00 per set. **4 new subscribers.**

"CARMICHAEL": A Canadian Farm Story. Bound in cloth, illustrated. Just the thing for Christmas or Birthday Gift. "Far above the ordinary run of fiction," says the Buffalo Courier. "Should be in all the homes of the people," Toronto World. **2 new subscribers; or cash, \$1.25.**

BARON'S PRIDE. Handsome picture of the Champion Clydesdale. Size, 17 x 13 in., including margin. Suitable for framing. **1 new subscriber.**

NICKEL WATCH. Good timekeeper. This watch has taken well. **3 new subscribers.**

MOUTHORGANS. Best German make. Keys, A, C, D, E. Two instruments. **1 new subscriber.** Or choice of one Mouthorgan and one Compass. **1 new subscriber.**

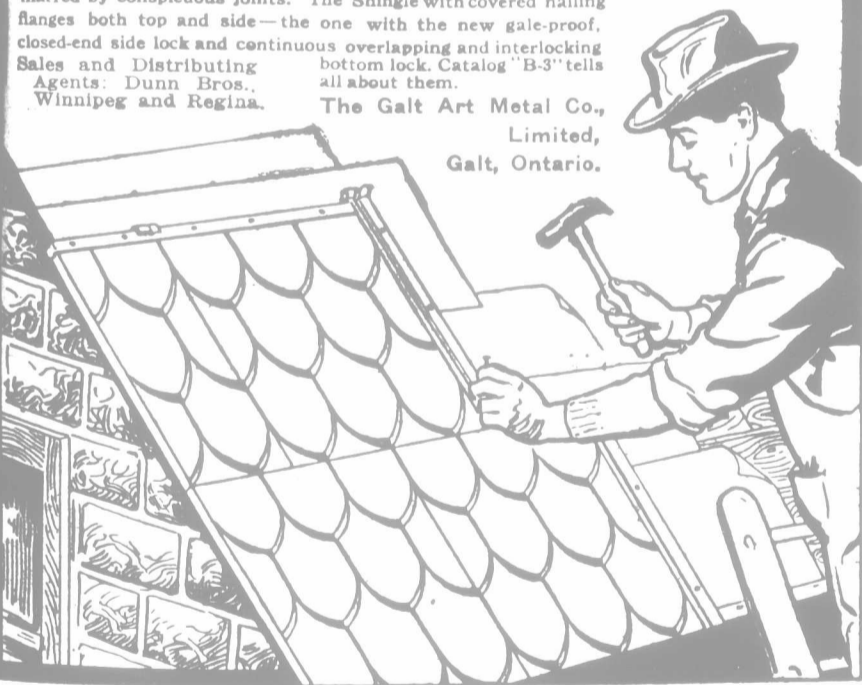
These premiums are given only to our present subscribers for sending in bona-fide new yearly subscriptions, accompanied by \$1.50 each.

SEND POSTAL FOR SAMPLE COPIES AND AGENT'S OUTFIT AND START TO CANVASS AT ONCE.

The William Weld Company, Limited, London, Ontario.

"Galt" Shingles

Simplest and Quickest to apply yet invented. Perfectly Square, True and Easy-fitting. The bold Gothic Tile pattern presents a handsome and architectural appearance—unmarred by conspicuous joints. The Shingle with covered nailing flanges both top and side—the one with the new gale-proof, closed-end side lock and continuous overlapping and interlocking bottom lock. Catalog "B-3" tells all about them. **The Galt Art Metal Co., Limited, Galt, Ontario.**



Start a Cannery of your own for \$30—and save all Fruit Losses.

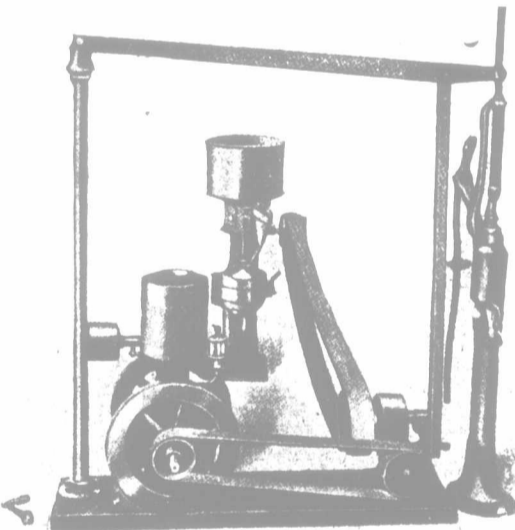
Just think of having a Canning Factory in your own home—on your Farm, or in your Grocery Store! One that does the same wonderful work as the real large Factories, where thousands of people are employed! The Modern Canner takes the place of those large Canneries—but on a smaller scale. It saves all that loss of fruit and vegetables. The three sizes, \$30, \$60 and \$90, will Can 1,000, 2,000 and 4,000 tins in 10 hours, mind you, simply and easily, without a bit of waste. And the fine price you can demand for Modern Canned goods pays for your Modern Canner the first season. This Modern Canner means much to you, Mr. Farmer—Mr. Grocer—in dollars and cents. Won't you write for valuable information now?

The Modern Canner Co.
Canadian Branch, 86 King St., St. Jacob's, Ont.



IDEAL GASOLINE ENGINES

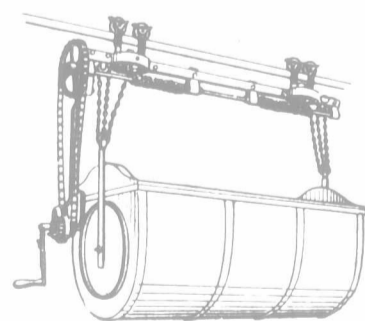
1/2 TO 40 HORSE-POWER.



Windmills,
Grain Grinders,
Pumps,
Tanks,
Water Boxes,
Concrete Mixers,
Etc., Etc.

Send for catalogue.

GOOLD, SHAPLEY & MUIR CO., LIMITED,
Brantford, Canada.



BEATH'S Heaviest Type Feed and Litter Carrier.

Here is a machine that will easily handle the heaviest load. Made with wrought steel frame, insuring great strength. Your boy can use it and handle every load easily, as this style of Beath Carrier has triple purchase hoist and slow gear. Also Beath's Patent Automatic Clutch Brake, which allows box to be stopped anywhere without any danger of carrier breaking. Just get catalogue and read all about this superior carrier.

W. D. BEATH & SON, LIMITED, TORONTO, ONT.