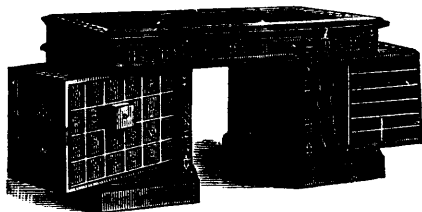


W. STAHL-SCHMIDT & CO.

PRESTON, ONT.

MANUFACTURERS OF

School, Office, Church and Lodge
Furniture.



ROTARY DESK

No. 50.

Send for Circulars and Price List. Name this paper.

See our exhibit in the Annex at the Industrial Exhibition.

Young & Son,

MANUFACTURERS AND IMPORTERS
OF DYE STUFFS.

Black and Yellow Dyes,
Cutchine and Sakta a Specialty.

21 and 23 DE BRESOLES ST., - MONTREAL.

Mills, Port Neuf, Que.

J. Brooks Young, Harrison B. Young.

New England Paper Co.

-MANUFACTURERS OF-

NEWS, WRAPPING AND MANILLA PAPERS.

ALL SIZES AND WEIGHTS

MADE TO ORDER.

21 and 23 De Bresoles St., Montreal.

J. Brooks Young, President.

Harrison B. Young, Treasurer.

ESTABLISHED 1820.

EAGLE FOUNDRY.

GEORGE BRUSH,

14 TO 84 KING AND QUEEN STREETS MONTREAL,

Maker of

STEAM ENGINES,
STEAM BOILERS,
HOISTING ENGINES,
STEAM PUMPS,
CIRCULAR SAW MILLS,
BARK MILLS,
SHINGLE MILLS,
ORE CRUSHERS,
MILL GEARING,
SHAFTING,
HANGERS AND
PULLEYS,
HAND AND POWER HOISTS FOR
WAREHOUSES, &c., &c.,
(and Agent for

"Water's" Perfect Steam Engine Governor, and
"Heald & Sisco's" Centrifugal Pumps.



SMITH'S FALLS MALLEABLE IRON WORKS.

WM. H. FROST

MANUFACTURER TO ORDER OF

Malleable Iron Castings

FOR

Agricultural Implements
AND OTHER PURPOSES.

Also CARRIAGE HARDWARE.

SMITH'S FALLS,
Ontario, Canada.

THE OSHAWA Malleable Iron Co.

MANUFACTURERS OF

MALLEABLE IRON

CASTINGS TO ORDER

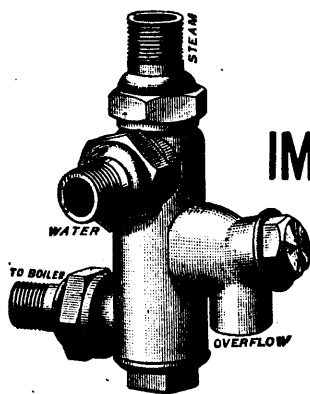
FOR ALL KINDS OF

Agricultural Implements

AND

MISCELLANEOUS PURPOSES.

Oshawa, Canada.



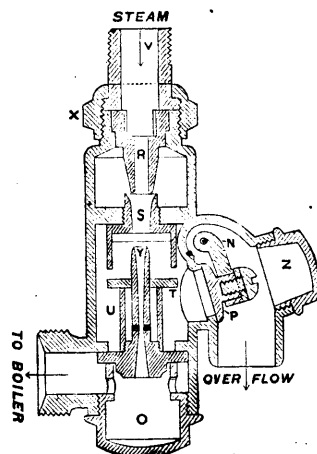
FEED YOUR BOILER WITH A PENBERTHY IMPROVED AUTOMATIC INJECTOR.

10,000 IN USE IN CANADA.

Cheaper than a Pump, takes up Less Room and
Feeds the Boiler with Water at
nearly Boiling Point.

SIMPLE, ECONOMICAL AND DURABLE.

And the Only Absolutely Automatic Injector in the Dominion.



PROMINENT FEATURES ARE: They start at about 25 lbs. steam pressure and work to 150 lbs. Lift water up to 20 feet, and work from a head as well. They require little watching, as, being automatic, they restart if feed to boiler is broken by air or sudden jarring. The parts are interchangeable and can be removed without uncoupling machine. Send for pamphlet to PENBERTHY INJECTOR CO., Detroit, Mich. Handled largely also by Watrous Engine Works Co., Limited, Brantford; J. H. Taylor, Montreal; S. J. Shaw, Quebec; Park Bros., Chatham; McDonald & Co., Limited, Halifax, N.S.; A. R. Williams, Toronto.