

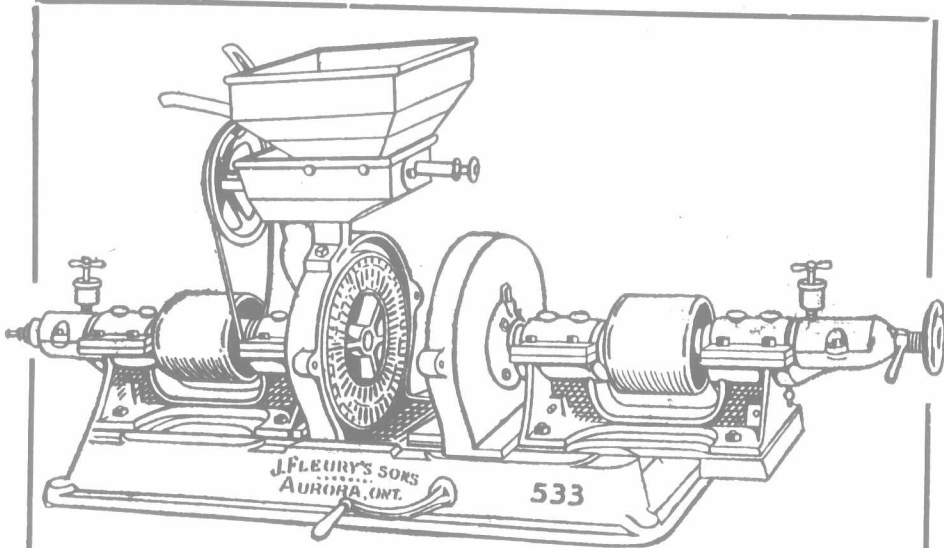
Salem Herd of Shorthorns: Champions of 1905

OWNED BY R. A. & J. A. WATT, ELORA STATION,

15 Miles North of Guelph, on the G. T. and C. P. R.

15 high-class young bulls, the kind that suits all buyers, at attractive prices. Sired by the International winners, Mildred's Royal and the Duthie-bred Scottish Beau. When at Guelph Show come and see us.

Trains Met by Appointment.



"Rapid-Easy" Grain Grinders

Are made in a greater number of sizes, suitable for every style of power, than any other line on the market. This cut shows "Rapid-Easy" Attrition Mill (made in sizes 13, 16 and 18 inch plates) specially adapted to finest quality custom work, for use with steam or gas engine, or water power. These machines have paid for themselves in a single season's work.

"The Grinder is pleasing me better every day I run it. Yesterday, with only from 30 to 90 lbs. of steam, I ground 8 tons 1,170 lbs. in 7 hours. My customers all say it is the best grinding they have ever had done." L. W. GUEST, Stroud, Ont., March 14th, 1906.

"I have just started one of your No. 13 Attrition Grinders for Mr. John Swan, here, running it with an International Harvester Co.'s 15-h. p. gasoline engine, and am pleased to tell you that it not only did the very best quality of work, but took considerably less power than any other grinder of anything like the same capacity I ever had one of our engines hooked up to. I am an expert in gasoline engines for the above company, and have run a good many different makes of grinders." H. E. GOODENJW, Vasey, Nov. 22nd, 1906.

PROVINCIAL AGENTS:

- THE FAIRCHILD CO., Winnipeg, Man., and Calgary, Alta.
- BLIGH & PRINCE, Truro, N. S.
- J. CLARK & SON, Fredericton, N. B.
- THE LOUNSBURY CO., Newcastle, N. B.
- A. HORNE & CO., Charlottetown, P. E. Island.

WRITE FOR ANY INFORMATION YOU WANT.

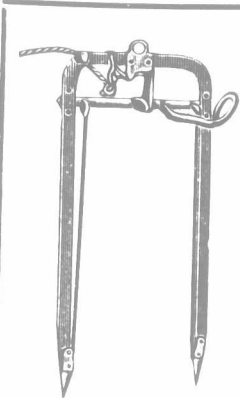
J. FLEURY'S SONS, Aurora, Ontario.

Medals and Diplomas: World's Fairs, Chicago and Paris.

Queenston Heights SHORTHORNS

Special offer now: Several choice Scotch bulls, two of which are show bulls, a roan yearling and a red two-year-old by Derby (imp.) 32059. Their dam is Bessie's Maid 47779, by the great sire Royal Prince 26062. There is no better breeding. Also some young cows and heifers at low prices for prompt sale.

HUDSON USHER, Queenston, Ont.



OSHAWA HAY CARRIER WORKS

South Oshawa, Ont.

Manufacturers of

ROD, WOOD and STEEL TRACK OUTFITS

The best that is made.

Agents wanted in unrepresented territory.

Eastern Dairy School KINGSTON, ONT.

The coming session of the Eastern Dairy School will open on Wed., Jan. 2. A commodious modern and thoroughly-equipped school building, centrally located and convenient to boarding houses.

A full and competent staff of instructors.

Tuition Free. For calendar, giving full particulars regarding the different courses, etc., write:

J. W. MITCHELL, SUPT.

Third Annual Sale of past season's crop of SHORTHORN BULLS and HEIFERS

of exceptional quality and breeding at Pine Grove Farm, Rockland, Ont.

WEDNESDAY, JANUARY 9th, 1907.

Catalogues on application.

W. C. EDWARDS & CO., Ltd., Props. JAMES SMITH, Superintendent.

Shorthorns—Stamfords, English Ladies, Mildreds, Marthas Nonpareils. Three choice bulls 14 months old, two heifers. Breeding unsurpassed—Canadian and American registration. Prices moderate.

F. W. EWING, Salem P.O., Elora Sta.

When Writing Advertisers Please Mention this Paper.

GOSSIP.

INGLESIDE HEREFORDS.

Probably the bulk of the readers of "The Farmer's Advocate" are already aware that the Ingleside Herefords, belonging to Mr. H. D. Smith, formerly of Compton, Que., are now safely and comfortably quartered in their new and luxurious stables on the farm lately purchased by Mr. Smith in the outskirts of the city of Hamilton, Ont., on the brow of the mountain overlooking the city and Lake Ontario. The scenic view from the farm, stretching away for miles over the great fruit belt of Ontario and the blue waters beyond, is one of magnificent splendor, while the property itself leaves nothing to be desired as an ideal stock farm. With as complete a set of buildings as can be found on any farm in the Province, built and laid out for the express purpose of stock-raising, nothing seems to have been overlooked in making them pleasing to the eye and comfortable for the animals. The herd now numbers about 75 head, representing the blood of such noted bulls as Anxiety 4th, Corrector, Kansas Lad, Sir Horace, Ancient Briton, Mark Hanna, Rupert and the present great show bulls, Keep On, winner of first in London as a yearling, and second at Toronto and London for 2 years, being beaten only by the other stock bull, his stable mate, the invincible Bourton Ingleside, who, now in his four-year-old form, weighs 2,400 lbs., and has to his credit first prize at Toronto and London for four years straight, and in three of these years, including 1906, he also won the championship, sired by the mighty Mark Hanna, and out of Imp. Lady Bountiful. He is a truly marvellous specimen of Hereford perfection, and his get are winners also, this year winning the special for the progeny of one bull, besides several other individual prizes. In young bulls for sale is the thirteen-months-old Bourton Ingleside 3rd, by the champion Bourton Ingleside, out of Imp. Chatterbox. He won first at Toronto this fall. Another is a twenty-two-months-old son of Bourton Ingleside, out of a Toronto winner. Still another is a twenty-two-months-old son of Spotless 7th, and out of a daughter of Mark Hanna. In younger ones is Amos 14th, by Spotless 7th, out of the Toronto champion, Amy 4th, he is eleven months old. Amos 11th is a nine-months-old youngster, by Bourton Ingleside, dam Amy 3rd, a Toronto first-prize winner. Cassio 2nd is ten months old, by the same sire, dam Jessie 6th of Ingleside. These are a rare nice lot of young bulls, all for sale. In heifers for sale are ten yearlings and five two-year-olds, and 15 from eight to twelve months of age, prizewinners among them. Write Mr. H. D. Smith, to Ravenscliffe, Hamilton, Ont., or call and see the herd.

Messrs. Geo. Amos & Son, Moffat, Ont., near Guelph, write: "Our herd has gone into winter quarters in good shape. Have a fine bunch of calves coming, by the 1905 Toronto grand champion, Old Lancaster 50068 (imp.). We have made the following recent sales: To A. & J. Drummond, Clifford, Ont., the bull, Red Rex, a richly-bred Roan Lady, by Diamond Rex (imp.), a son of Mr. Hanna's \$6,000 Bapton Diamond (imp.), and half-brother to the well-known show bulls, Missie's Diamond and Diamond Crown, two of the best show bulls in the American circuit; to Jas. McGibbon, L'Amable, Ont., the bulls, Valley Victor, by Old Lancaster (imp.); to J. & W. Bathgate, Armstrong's Mills, Ont., the following: Roan Bessie (imp.), by Knight Errant, dam Mina, by British Prince, and two daughters, Bessie Girl and

Bessie Lass, both by Imp. Old Lancaster; Lancaster Drop, a richly-bred Campbell Golden Drop, by Imp. Old Lancaster; Rosewood, a heifer of Campbell-Rosebud breeding, by Imp. Old Lancaster; Nonpareil Violet, a richly-bred Nonpareil, by Imp. British Statesmen (this has been one of our best stock cows, and she is forward in calf to Red Rex); also one bull, Lancaster Floral, a very promising young bull of Marr-Flora breeding, got by Imp. Old Lancaster, dam Scottish Lassie, by Gordon Prince. This young bull is full brother to Flora 90th, third-prize junior yearling heifer at Toronto this fall. To Robt. Reid, Frelton, Ont., Annie Leslie, by Rockwood Victor. This is a grand breeding cow and heavy milker. Have still for sale several young cows and heifers, and some good young bulls—extra good herd-headers—among them such as Scottish Signet, by Old Lancaster, dam Imp. Scottish Queen, by Scottish Prince; Old Nonpareil, by Old Lancaster, dam Nonpareil Violet, by British Statesman (imp.); Orangeman, a richly-bred Cruiskshank Orange Blossom, dam Flowery (imp.), and several other good ones, by Imp. Old Lancaster. Moffat is twelve miles east of Guelph, on C. P. R.; farm half a mile from station."

G. B. MUMA'S YORKSHIRES.

In Brant County, Ont., 2 miles south of Ayr, on the C. P. R., is that splendid stock farm, Elmfield, the property of Mr. G. B. Muma, one of the leading Yorkshire breeders of the Province. Mr. Muma's lot in this world is a pleasant one. His beautiful 200-acre farm is one of the best in the county of Brant. On it are an extra good set of buildings, both house and barns. His bank account is in a healthy condition, and he is one of those whole-souled, genial fellows, whose word is absolutely reliable. Therefore, it goes without saying that his Yorkshires are as good as money will buy, which is certainly right. All told, there are about 12 brood sows (part of them imported), large, smooth and typical of the improved type. The main stock boar, and sire of many of the young things, is Summer Hill Chester (imp.), a Toronto winner, and an all-around choice individual, a son of the great English champion, Bottesford Park Royal, and out of the Toronto and London champion sow in 1905. The second stock boar was imported in dam, out of a Royal champion and Toronto first-prize sow. He gives promise of developing into a great show hog. As an example of the prolific breeding qualities of this herd, we may mention Duchess of York, who had 145 pigs in ten litters, and 116 in seven litters. And for sale are several of her daughters, old enough to breed, and younger ones of both sexes. Among the other choice sows are Imp. Woodstock Dalmeny Girl, a sow of superior quality, and two of her daughters, by Craig Crook Prince (imp.). There are also for sale, out of her, one boar and one sow, six weeks old, by Summer Hill Chester. Summer Hill Maid (imp.) is another choice sow now suckling a litter, by Summer Hill Chester. Another of the imported sows is in pig to Imp. Long Tom. Elmfield Duchess' last litter numbered 14, of which there are 9 left, three and a half months old, of both sexes, sired by Summer Hill Chester. At present, there are a large number of both sexes on hand. Pairs can be supplied not akin. Mr. Muma reports trade as exceedingly brisk. He has shipped pigs all over Ontario with complete satisfaction in every case. Write him, to Ayr P. O., Ont.