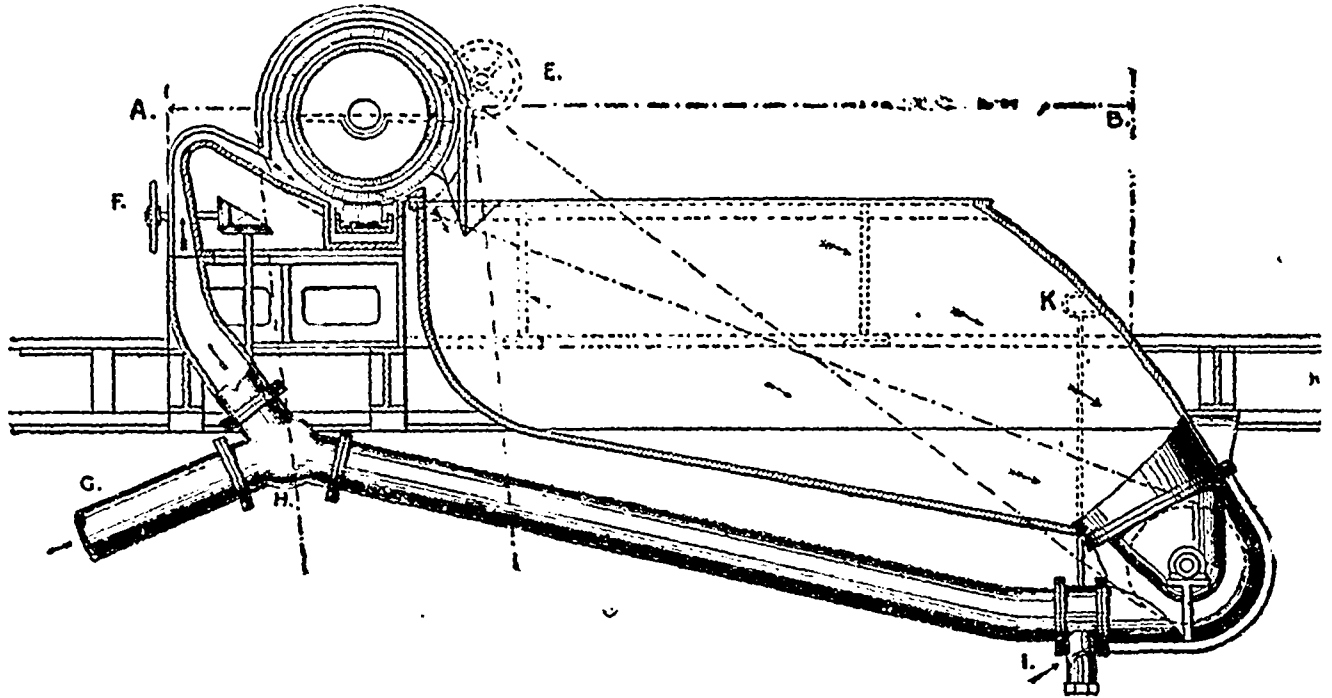


# “Quanti est Sapere!”

THEN WHY NOT LEARN ABOUT



## Taylor's Beating Engine?

THE CAPACITY OF THIS ENGINE IS GREATER THAN THAT OF ANY OTHER IN THE WORLD.

And its principles of Action and Construction will commend it to every

--- Practical : Paper : Maker. ---

WE ARE MANUFACTURERS OF

White's Oscillating Screen,

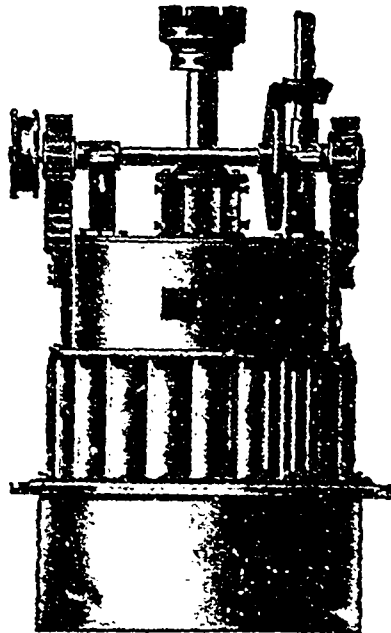
Taylor's Beating Engine,

McCormick's HOLYOKE Tur-  
bines, Horizontal and Vertical.

**PAPER MILL MACHINERY.**

Allen's "Blue Spot" Preventive.

SCREENS & VATS  
For Paper Machines.



Rag Engines and  
Jordan Engines

Made and Refilled.

BLEACH BOILERS,  
FAN DUSTERS,

Ferry's Patent Star Dusters.

PAPER CALENDAR ROLLS

MADE AND REPAIRED.

Chilled Rolls,  
Sheet, Super and  
Webb Calenders.

Power Suction Pumps, Power Boiler Pumps, Suction Boxes and Plates, Pulleys, Shafting, Gearing, &c.

HAND AND POWER ELEVATORS.

# J. & W. JOLLY,

HOLYOKE, MASS., U.S.A.