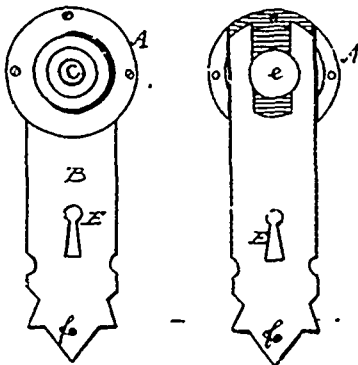
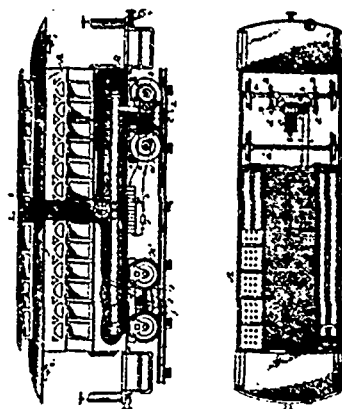


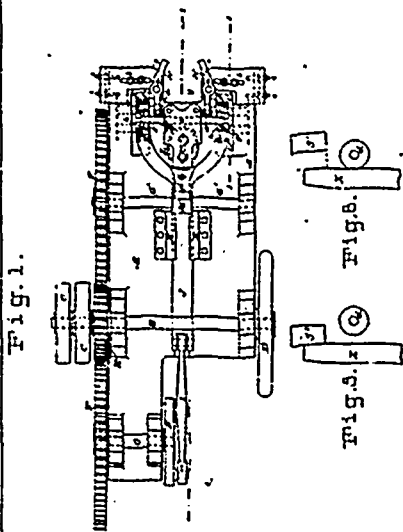
29765 Gilbeon's Food Mechanism for Saw Mills.



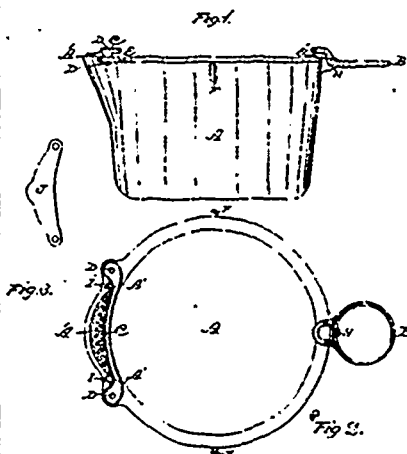
29767 Crawford's Door Knob Attachment



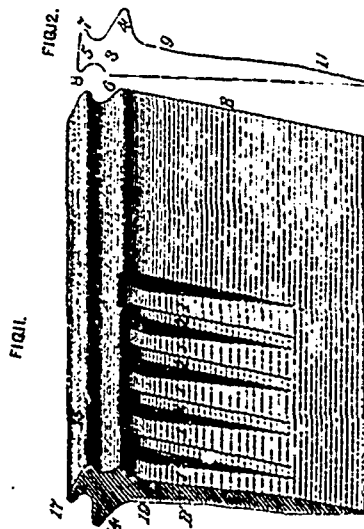
29768 Nies' System of Heating by Electricity



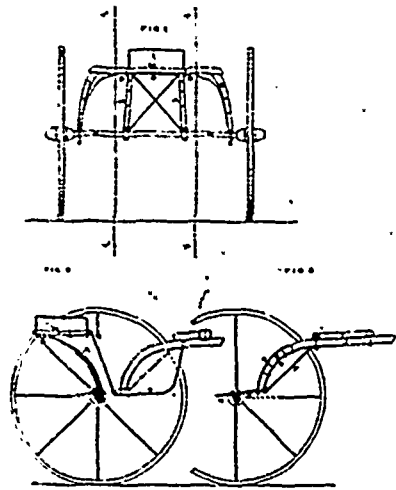
29769 Russell's Machine for Making Horse Shoes.



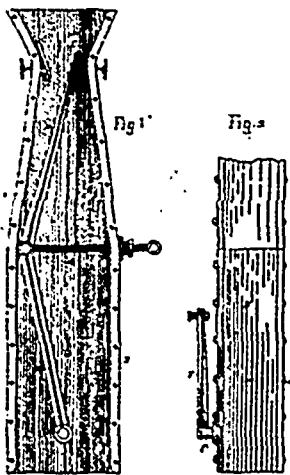
29770 Eurnard's Metal Pot with Strainer



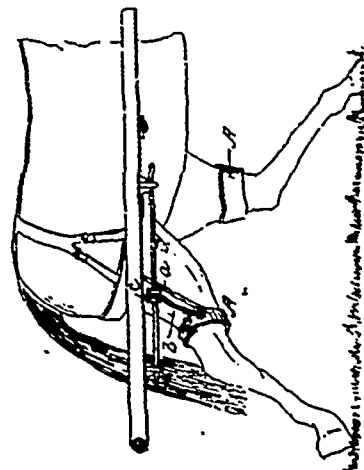
29771 Groer's Railway Spike and Flange



29772 Wallace's Road Cart.



29773 Trumble's Water Motor.



29774 Whitaker's Trotting Harness