



**SYNOPSIS OF DOMINION LAND REGULATIONS**

**ANY PERSON** who is the sole head of a family, or any male over 18 years old, may homestead a quarter section of available Dominion land in Manitoba, Saskatchewan or Alberta. The applicant must appear in person at the Dominion Lands Agency or Sub-agency of the district. Entry by proxy may be made at any agency, on certain conditions, by father, mother, son, daughter, brother or sister of the intending homesteader.

**Duties**—Six months' residence upon and cultivation of the land in each of three years. A homesteader may live within nine miles of his homestead on a farm of at least 80 acres solely owned and occupied by him or by his father, mother, son, daughter, brother or sister.

In certain districts a homesteader in good standing may pre-empt a quarter-section alongside his homestead. Price \$3.00 per acre.

**Duties**—Must reside upon the homestead or pre-emption six months in each of six years from date of homestead entry (including the time required to earn homestead patent) and cultivate 50 acres.

A homesteader who has exhausted his homestead rights and cannot obtain a pre-emption may enter for a purchased homestead in certain districts. Price \$3.00 per acre. **Duties**—must reside six months in each of three years, cultivate fifty acres and erect a house worth \$300.00.

W. W. CORY.

Deputy of the Minister of the Interior.

N. B.—Unauthorized publication of this advertisement will not be paid for.

**GRAND TRUNK RAILWAY SYSTEM**

**CALIFORNIA  
MEXICO  
FLORIDA**

AND

**THE SUNNY SOUTH**

The Grand Trunk Railway is the most direct route from all points East through Canada via Chicago, Detroit or Buffalo.

**Only Double Track Route**

Round trip tourist tickets, giving choice of all the best routes, together with full information, may be obtained from any Grand Trunk Agent.

**Send your Raw FURS to John Hallam**

Sixty Thousand trappers now send us their Raw Furs. Why not you? We pay highest prices and express charges, charge no commission and send money same day goods are received. Millions of dollars are paid trappers each year. Deal with a reliable house. We are the largest in our line in Canada.

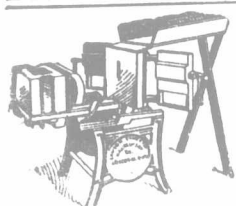
**FREE** Our "Up to the minute" Fur quotations and the last Edition of **HALLAM'S TRAPPERS GUIDE**, a book of 96 pages, mailed **FREE**. Write to-day to John Hallam, Mail Dept. 31 TORONTO, 111 Front St. E.

**STUMP EXTRACTOR**

If you are troubled with stumps, give our "Patent Samson Stump Extractor" a trial. It has now been in use in Europe for the past three years with the greatest success. By its assistance, two men will do the work of three men and a horse. It can also be used for felling trees.

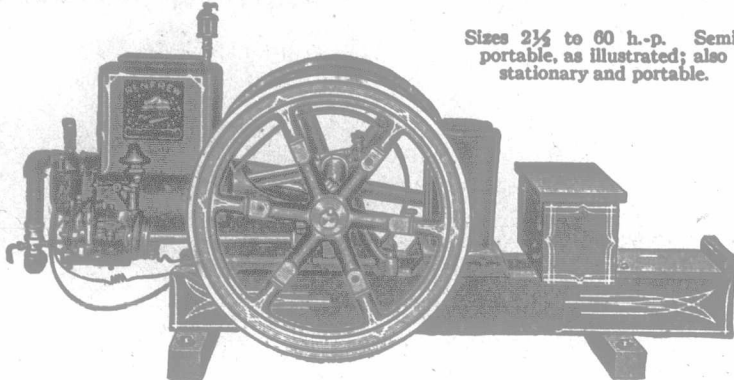
WRITE US FOR DETAILS.

**The Canadian Boving Co., Ltd.**  
164 Bay Street, TORONTO



Build Silos, Dwellings, or any class of building from Concrete Block. The London Adjustable Concrete Block Machine makes every kind and size of block. High grade. Moderate price. We manufacture a full line of Concrete Machinery. Tell us your requirements.

LONDON CONCRETE MACHINERY CO.  
Dept. B, London, Ont.



Sizes 2 1/4 to 60 h.p. Semi-portable, as illustrated; also stationary and portable.

"That's the slickest engine I ever saw"

So remarked an agent who has handled many different makes of gasoline engines in the last twenty years. "Why," he said, "that special governor of yours would make any man want the

**Renfrew-Standard**

gasoline engine if he had no other reason for buying it."

The governor that the agent spoke so enthusiastically about is, we might say, one of the principal features of the Renfrew-Standard engine. It is undoubtedly the most efficient governor yet devised—immensely superior to the old fly-wheel type. It controls the engine perfectly, allowing speed to be changed at will while engine is running, and automatically cutting off the supply of gasoline and electricity from batteries should engine exceed speed for which it is set. The simplicity and durability of this governor also makes the Renfrew-Standard engine especially adapted to withstand rough usage.

Other special features of the Renfrew-Standard are told about in our engine booklet. Send for a copy and learn what they are.

**The Renfrew Machinery Company, Limited**

Head Office and Works: RENFREW, ONTARIO

Sales Branches at Winnipeg, Man., and Sussex, N. B.

If you want a little engine, write us about the Gifford 1 1/2 h.p. This is, we believe, the most effective and reliable little engine made.

**Reliable Help for the Farmer**

Farm labor is scarce. Wages are high. All the more need for a **BARRIE ENGINE**. Soon pays for itself in time and labor saved. Grinds grain, shells seed corn, pumps water, cuts straw, threshes beans, saws wood, drives churns, separators and washing machines. Does many other things, too.

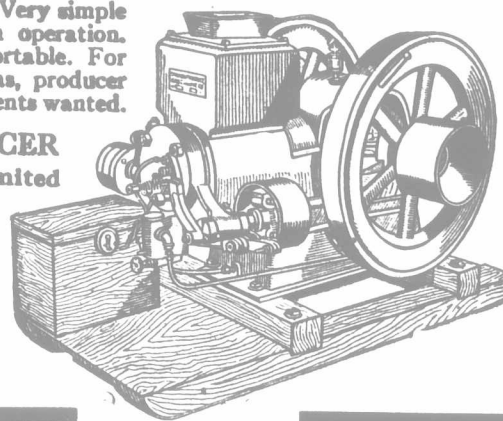
**BARRIE ENGINES WORK LONG**

hours without getting tired. Very simple in construction. Reliable in operation. 3 to 100 h.p. Stationary or portable. For gasoline, distillate, natural gas, producer gas. Write for catalogue. Agents wanted.

The CANADA PRODUCER & GAS ENGINE CO., Limited

Distributors:

James Rae, Medicine Hat; Canada Machinery Agency, Montreal; McCusker Imp. Co., Regina; The Tadpole Anderson Co., Ltd., Winnipeg, Calgary, Edmonton, Lethbridge, Saskatoon and Regina.



**A CANADIAN SCHOOL FOR BOYS**

**RIDLEY COLLEGE**  
St. Catharines, Ontario

Three separate residences; new, specially built and equipped. 1. Lower School for Boys under fourteen. 2. Dean's House, for Boys of fourteen and fifteen. 3. Upper School, for advanced Pupils. Gymnasium and Swimming Baths just erected. Fine Hockey Rink. Athletic Fields and Playgrounds unsurpassed. Eighty acres. Mild climate. University Scholarship won in 1909 and 1910. Boys prepared for Agricultural College.

REV. J. O. MILLER, M.A., D.C.L., PRINCIPAL

**Please Mention The Advocate**

**Genasco**  
The TRINIDAD-LAKE-ASPHALT  
**Ready Roofing**  
"Dead or alive!"

Which has greater strength and resisting power—a dead tree or a live one?

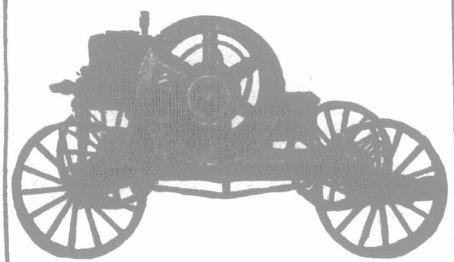
Every man who answers that question right knows why Genasco stays waterproof. The natural oils of Trinidad Lake asphalt give Genasco its *lasting life*.

Mineral or smooth surface. Several weights. Genasco comes in rolls ready to lay—no experience needed. Ask your dealer for Genasco. Write us for the illustrated Good Roof Guide Book and samples—free.

Ask for the **Kant-leak Kleet** packed in the roll of smooth surface roofing. It makes the seams water-tight without cement, and prevents nail leaks.

**The Barber Asphalt Paving Company**  
Largest producers of asphalt, and largest manufacturers of ready roofing in the world  
Philadelphia  
New York San Francisco Chicago

**GILSON ENGINE**  
"GOES LIKE SIXTY"



Anybody can operate the simple "GOES LIKE SIXTY" Engine. Ready for work the moment you get it. Built strong and solid to last a lifetime. Will give long, unflinching satisfaction. Gas, gasoline or kerosene can be used for fuel.

Gilson quality gives full value for your money—dependable service, great durability, highest economy and perfect satisfaction; freedom from trouble, delays and expense.

Every engine **ABSOLUTELY GUARANTEED**. You can try this engine on your own farm before settling for it. You take no chances.

The "GOES LIKE SIXTY" Line has an engine for every purpose. All styles and sizes from 1 to 40 h.p.

Write for catalogue  
**GILSON MANUFACTURING CO., LIMITED**  
85 York Street, QUELPH, ONT.

**15 95 AND UPWARD**  
**AMERICAN SEPARATOR**

**THIS OFFER IS NO CATCH.** It is a solid proposition to send, on trial, fully guaranteed, a new, well made, easy running separator for \$15.95. Skims hot or cold milk; making heavy or light cream. Designed especially for small dairies, hotels and private families. Different from this picture, which illustrates our large capacity machines. The bowl is a sanitary marvel, easily cleaned. Shipments made promptly from **WINNIPEG, MAN., TORONTO, ONT., and ST. JOHN, N. B.** Whether your dairy is large or small, write us and obtain our handsome free catalog. Address: **AMERICAN SEPARATOR CO.** Box 1289 BAINBRIDGE, N.Y.

**STAMMERERS**

can be cured, not merely of the habit, but of its cause. The Arnott Institute has permanently restored natural speech to thousands—is doing it to-day. Write for full information and references to: **The Arnott Institute, Berlin, Ont., Can.**