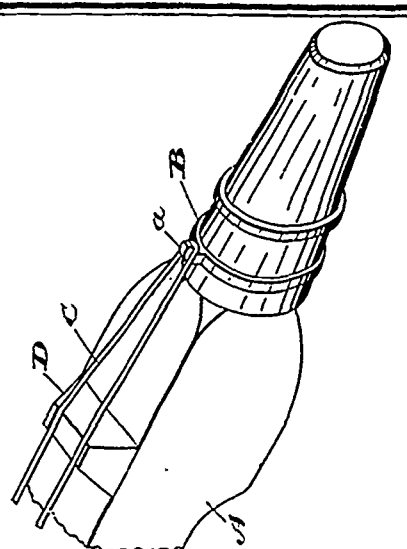
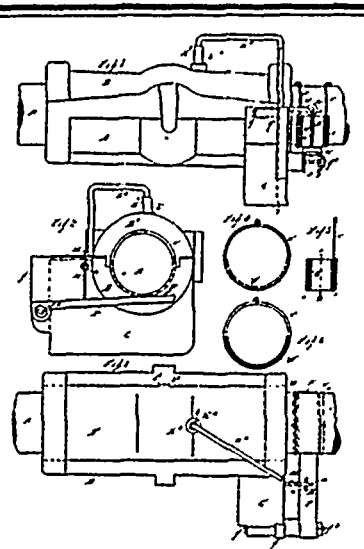


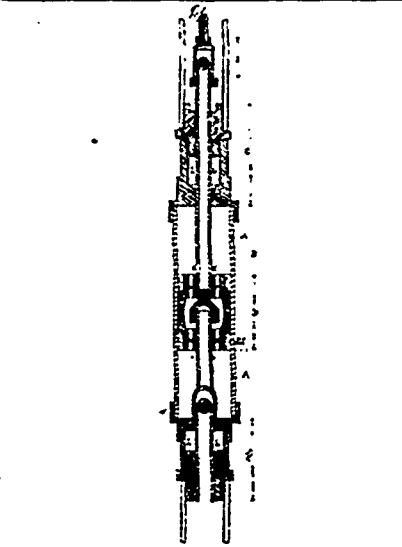
23729 Fargo's Letter Copying Book.



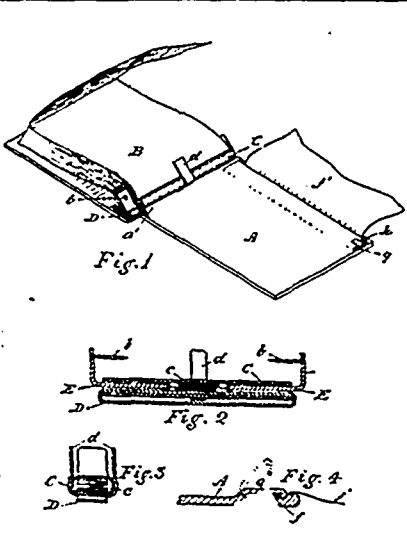
23730 Bain's Truss Rod for Waggon Axles.



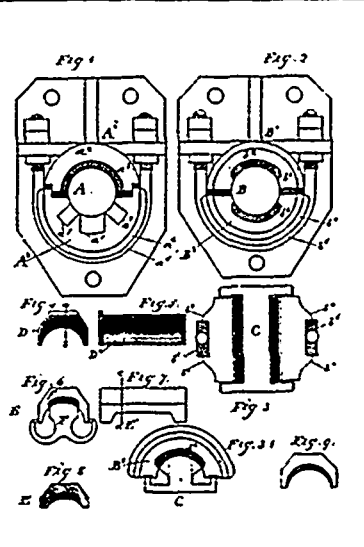
23731 Humphrey's Mechanical Oiler and Journal Box for Shafting.



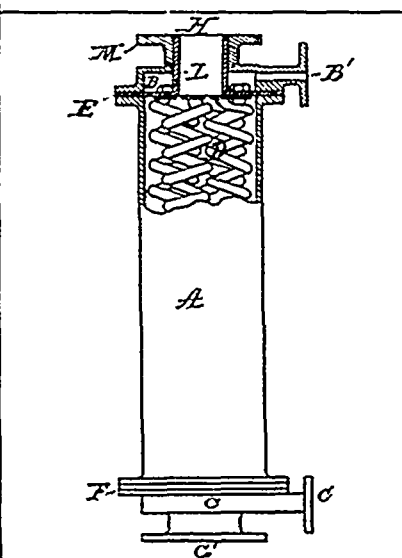
23732 Yater's Lifting Pump.



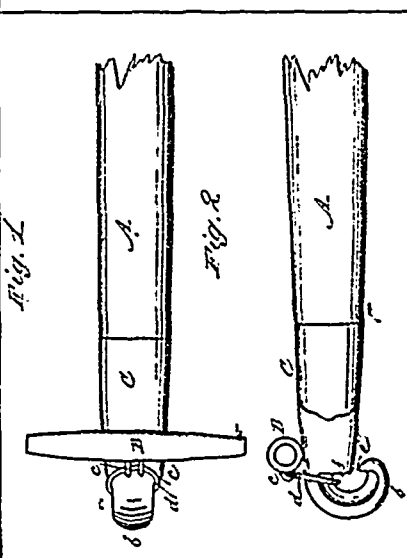
23733 Gordon's Counter Check Book.



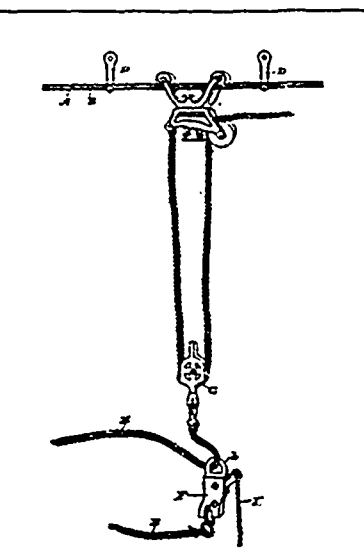
23734 Lappin's Axle Journal Box or Bearing.



23735 Kirkaldy's Surface Condenser.



23735 Cook's Tongue and Neck Yoke Attachment.



23737 Murchey and Luttrell's Hay-Carrier.