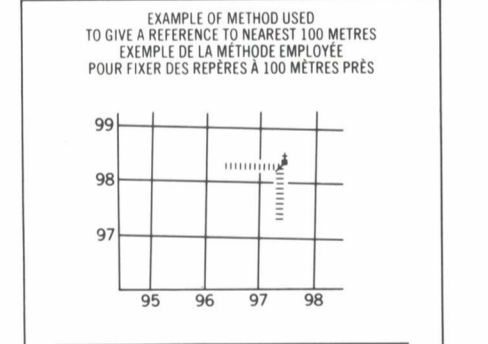


LEGEND - LÉGENDE

Legend table with two columns: English and French. It lists symbols for various features such as roads, railways, bridges, buildings, and terrain features. Symbols include lines, dots, and specific icons for each feature type.

Table showing grid zone designations and square identifications. It includes a grid of letters and numbers (A-14891 to A-14896) and corresponding square identifiers (116, 105, 148, 99, 8).

Table showing grid zone designations and square identifications. It includes a grid of letters and numbers (18V, UB) and corresponding square identifiers.

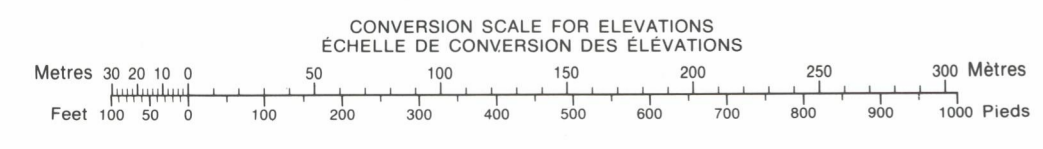


REFERENCE POINT CHURCH - EGLISE (in above point) ÉGLISE (en dessous du point) EXISTING: Road number on grid line immediately to left of point LONGITUDE (E): Note the chiffre de la ligne du quadrillage immédiatement à gauche du repère. Estimate tenths of a square from this line eastward to point. Estimate the number of squares from center of this line and the repère in direction east.

ONE THOUSAND METRE UNIVERSAL TRANSVERSE MERCATOR GRID ZONE 18 QUADRILLAGE DE MILLE MÈTRES UNIVERSEL TRANSVERSE DE MERCATOR

Table showing grid zone designations and square identifications. It includes a grid of letters and numbers (35 C/5 to 34 N/15) and corresponding square identifiers.

The 1979 MAGNETIC BEARING is 20°54' (478 mils) WEST OF GRID NORTH. ANNUAL CHANGE DECREASING 12.0". GRID NORTH is 1°57' (35 mils) WEST OF TRUE NORTH for center of map. Le repère magnétique est 1979 est à 20°54' (478 mils) OUEST DU NORD DU QUADRILLAGE. VARIATION ANNUELLE DÉCROISSANTE 12.0". NORD DU QUADRILLAGE est 1°57' (35 mils) à l'ouest du NORD GÉOGRAPHIQUE au centre de la carte.



PRODUCED BY THE SURVEYS AND MAPPING BRANCH, DEPARTMENT OF ENERGY, MINES AND RESOURCES, OTTAWA. 1979 INFORMATION CURRENT AS OF 1995. COPIES MAY BE OBTAINED FROM THE CANADA MAP OFFICE, DEPARTMENT OF ENERGY, MINES AND RESOURCES, OTTAWA, OR YOUR NEAREST MAP DEALER. © 1979 HER MAJESTY THE QUEEN IN RIGHT OF CANADA. DEPARTMENT OF ENERGY, MINES AND RESOURCES.

ELEVATIONS IN METRES ABOVE MEAN SEA LEVEL CONTOUR INTERVAL ..... 10 METRES NORTH AMERICAN DATUM 1927 TRANSVERSE MERCATOR PROJECTION

POVUNGNITUK TERRITOIRE DU NOUVEAU-QUÉBEC QUÉBEC Scale 1:50,000 Échelle 1:50,000

ELEVATIONS IN METRES AU-DESSUS DU NIVEAU MOYEN DE LA MER ÉQUIDISTANCE DES COURBES ..... 10 MÈTRES SYSTEME DE REFERENCE GEODESIQUE NORD-AMERICAIN 1927 PROJECTION TRANSVERSE DE MERCATOR

ÉTABLI PAR LA DIRECTION DES LEVÉS ET DE LA CARTOGRAPHIE, MINISTÈRE DE L'ÉNERGIE, DES MINES ET DES RESSOURCES, OTTAWA, EN 1979. RENSEIGNEMENTS À JOUR EN 1995. CES CARTES SONT EN VENTE AU BUREAU DES CARTES DU CANADA, MINISTÈRE DE L'ÉNERGIE, DES MINES ET DES RESSOURCES, OTTAWA, OU CHEZ LE VENDEUR LE PLUS PRÈS. © 1979 SA MAJESTÉ LA REINE DU CHEF DU CANADA. MINISTÈRE DE L'ÉNERGIE, DES MINES ET DES RESSOURCES.

NOTE: OFFSHORE ISLANDS LIE WITHIN THE DISTRICT OF KEEWATIN, T.N.-O. POVUNGNITUK 35 C/3 EDITION 1