

The Canadian Patent Office

RECORD




Vol. XXII.—No. 5.

MAY 31st, 1894.

Price free by post in Canada and the United States, \$2.00.
SINGLE NUMBERS, - - - 20 Cts.

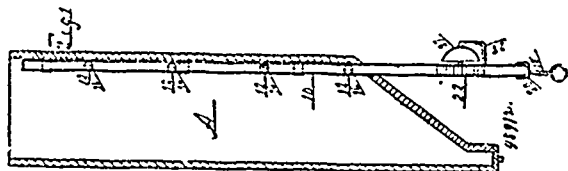
NOTICE.

All solicitors, agents or attorneys who, in circulars or advertisements, or otherwise, refer to the Commissioner or Deputy Commissioner of Patents, or to any other official of the Patent Office, for evidence of their professional standing, do so without authority.

INVENTIONS PATENTED.

NOTE.—Patents are granted for 15 years. The term of years for which the fee has been paid, is given after the date of the patent.

No. 45,912. Register for Bins.
(Registre pour coffres à grain.)



Albert Dykeman, Portage la Prairie, Manitoba, Canada, 1st May, 1894; 6 years.

Claim.—1st. In a register for bins and like receptacles, a tubular casing adapted to be located within the bin and extended beyond the bottom thereof, the said casing being provided at a predetermined point in its length, with an inlet opening a spring controlled cut-off having sliding movement over the opening, and a locking device connected with the cut-off, and located at the lower end of the casing, substantially as shown and described. 2nd. In a register of the character described, a tubular casing adapted to be located within the bin, and to extend out therefrom, said casing being provided with an opening at a predetermined point therein, a tubular cut off provided with an opening adapted to register with that in the casing, and having sliding movement within the casing, a spring connecting the cut off with the casing, and a device, substantially as shown and described for manipulating the cut-off, as and for the purpose specified. 3rd. In a register of the character set forth, the combination with a tubular body or casing closed at its upper end and provided with an opening in one side of a tubular cut-off, having sliding movement within the casing and provided with an opening adapted to register with that of the casing, a spring connecting the upper portion of the cut-off with the upper portion of the casing, a draw-rod, cable, or chain connected with the cut-off, and a locking device whereby the draw-rod, cable, or chain may be locked to the casing, as and for the purpose specified. 4th. In a register of the character described, a casing adapted to be located within the bin and provided with an opening at a predetermined point in its length, a wheel located within the casing below the said opening, an alarm, and a connection between the wheel and the alarm of a spring-controlled cut-off adapted to slide by the opening in the casing, and a device, substantially as shown and described for operating the cut-off, as and for the purpose set forth. 5th. In a register for bins and like receptacles, the combination with a tubular casing adapted to be located within the bin having a closed upper end and an inlet opening at a predetermined point in its length, the said casing being

likewise provided with an extension below the inlet opening of a spring controlled cut-off, having sliding movements over the inlet opening a rope, chain, or cable connected with the cut-off and terminating at its lower end in a handle, said handle having a locking engagement with the casing, a bladed wheel journaled in the extension of the casing, the blades whereof extend within the body of the casing, a crank-arm connected with the wheel and located at the outside of the extension, a bell located adjacent to the crank-arm with a hammer carried by said arm and adapted for engagement with the bell, as and for the purpose set forth.

No. 45,913. Gate. (Barrière.)

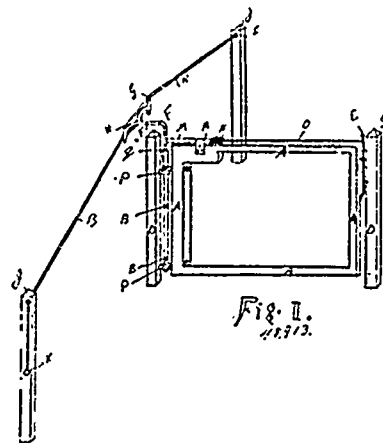
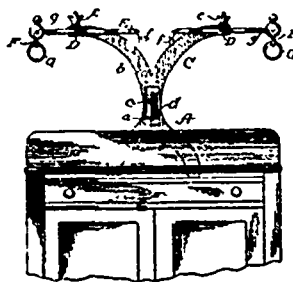


Fig. 1.
45,913.

Charles Henry Widdifield, Whitechurch, County of York, Ontario, Canada, 1st May, 1894; 6 years.

Claim. 1st. In a gate, the combination of trip F, with arms G and H, worked by parts R, R, and working in the centre pin or gas pipe B, at G, substantially as and for the purpose specified. 2nd. Trip F, in combination with branch M, M, working with parts N, O and E, substantially as and for the purposes specified.

No. 45,914. Holder for Splashes.
(Porte-protecteur de mur.)



Sarah Wilkins, Red Jacket, Michigan, U.S.A., 1st May, 1894; 6 years.

Claim.—1st. The combination with the standard, of splashers supporting bars secured to the upper portion of the same, and having sponge holding hooks at their inner ends, and towel racks pivoted to the outer ends of the splashers supporting bars. 2nd. The combination of the extensible standard, having upwardly