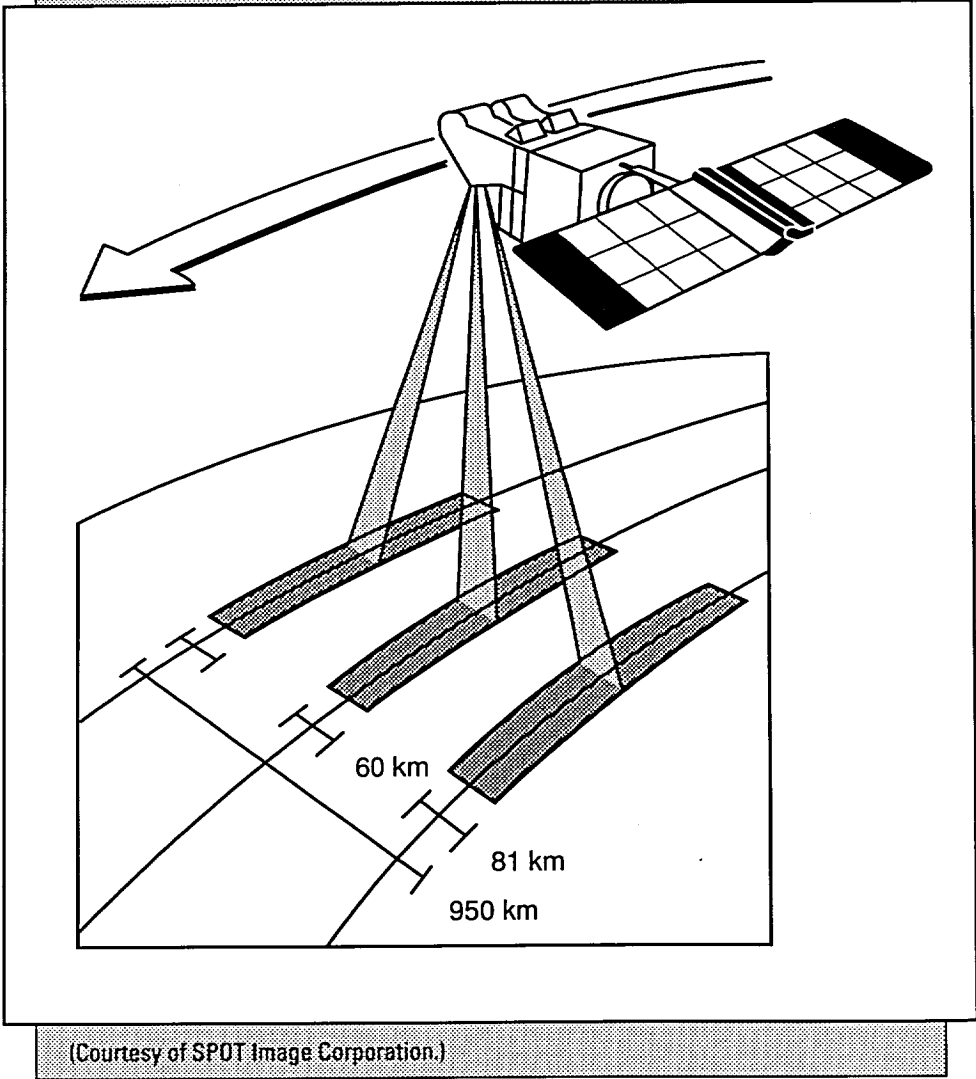


Figure 2 *Observable Corridor and Ground Strips Accessible Using Vertical and Oblique Viewing*



If the satellite were capable of only vertical viewing, it would be possible to image a particular location only once during the 26-day orbital cycle of the satellite. The SPOT satellite's oblique viewing capability provides the means to collect images more frequently for a particular site (Figure 3).³ At 45° latitude, up to 12 images can be acquired during one 26-day orbital cycle with time intervals from one to four days between successive images.⁴