

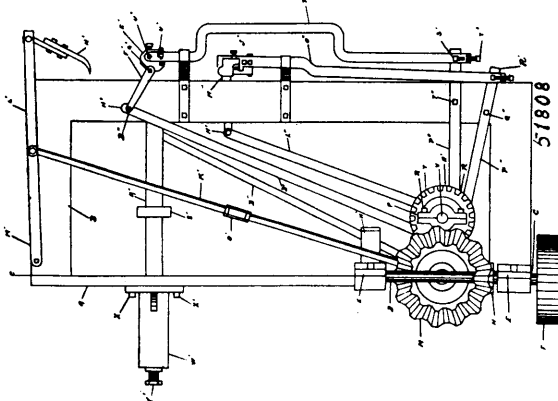
NOTICE.

All solicitors, agents or attorneys who, in circulars or advertisements, or otherwise, refer to the Commissioner or Deputy Commissioner of Patents, or to any other official of the Patent Office, for evidence of their professional standing, do so without authority.

INVENTIONS PATENTED.

NOTE.—Patents are granted for 18 years. The term of years for which the fee has been paid, is given after the date of the patent.

No. 51,808. Swage Gear. (*Engrenage d'estampe.*)



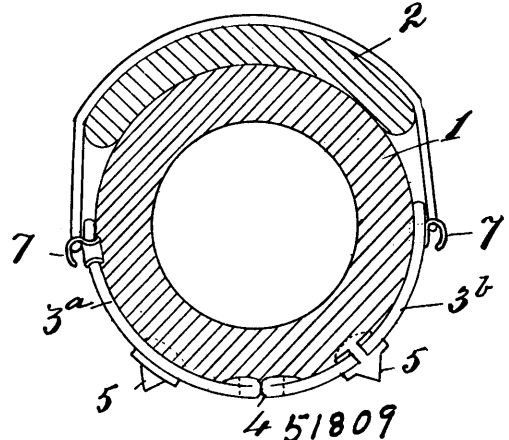
Richard Jones, Bay City, Michigan, U. S. A., 1st April, 1896; 6 years. (Filed 4th March, 1896.)

Claim.—1st. In a swage gear, the combination of the horizontal arm R¹, provided with a swage on its end, the vertical arm P¹, journalled to the supporting frame at T¹¹, with its upper ends journalled to the said horizontal arm at S¹, and provided with an adjusting screw T¹, the coil spring provided at the lower end of the said vertical arm for receding the swage and the means provided at the lower end of the said vertical arm for actuating the same, substantially as described. 2nd. In a swage gear the combination of the horizontal arm O¹, provided with a tooth shaper on its end, the vertical arm P¹¹, journalled to the supporting frame B, near its upper end at Q¹¹, the uppermost end journalled to the horizontal arm O¹¹, at R¹¹, the receding spring provided at the lower end of the said vertical arm and the means for actuating the same, substantially as described. 3rd. In a swage gear, the combination of the shaft U, journalled to the pillow blocks, the gear wheel W, and the crank disc A¹, provided with the crank pin B¹, the reciprocating arm D¹, and the oscillating arm I¹, the said reciprocating arm journalled to the crank pin B¹, and its opposite end journalled to the oscillating arm I¹, at H¹, and the opposite end of the said oscillating arm I¹, secured to the swage clamping screw at

C¹, substantially as described. 4th. In a swage gear, the combination of the shaft U, journalled to its pillow blocks provided with the gear wheel W, and the crank disc Z, provided with the crank pin G¹¹, the reciprocating arm L¹¹, and the oscillating arm F¹¹, the end of the said arm L¹¹, journalled to the crank pin G¹¹, and its opposite end journalled to the lower end of the oscillating arm F¹¹, and the upper end of the said oscillating arm secured to the clamping screw of the said tooth shaper, substantially as described. 5th. In a swage gear, the combination of the counter shaft G, the gear wheels I, and J, the mitre wheel M, the eccentric L, and the disc K, in combination with the shaft U and V, the gear wheels W, and Y, and the crank discs A¹, and Z, substantially as described. 6th. In a swage gear, the combination of the driving shaft D, the driving-wheel F, and the mitre-wheel N, in combination with the counter shaft G, the mitre-wheel M, the said mitre-wheel N, geared to the said mitre-wheel M, substantially as described. 7th. In a swage gear, the combination of the base portion A, provided with the journal boxes E, E, and the pillow blocks O, O, and P, P, and the supporting frame B, in combination with the shaft D, the driving-wheel F, and the mitre-wheel N, substantially as described. 8th. In a swage gear, the combination of the eccentric L, the pin Q, provided therein, the reciprocating arm K¹, and the adjusting nut O¹, in combination with the vertical arm L¹, and the pawl N¹, for actuating the saw, substantially as described. 9th. In a swage gear, the combination of the saw supporting rest W¹, secured to the lower side of the base portion A, provided with a rectangular opening therein, the slide Z¹, with its lower end inserted in the said rectangular opening, the adjusting screw Y¹, for adjusting the said slide Z¹, to the different width saws, the clamping body A¹¹, journalled to the said body W¹, and B¹¹, and the bow spring C¹¹, for pressing the said clamp, against the saw and the means for securing the said spring at the journal B¹¹, substantially as described.

No. 51,809. Bicycle Tire Cover.

(*Enveloppe pour bandages de bicycles.*)



Arthur Laphorn Smith, Montreal, Quebec, Canada, 1st April, 1896; 6 years. (Filed 4th March, 1896.)

Claim.—1st. A tire cover consisting of prepared canvas and pointed studs riveted thereto. 2nd. In a tire stud, the combination of the blunt point, shoulder, washer, and flattened rivet head, as