



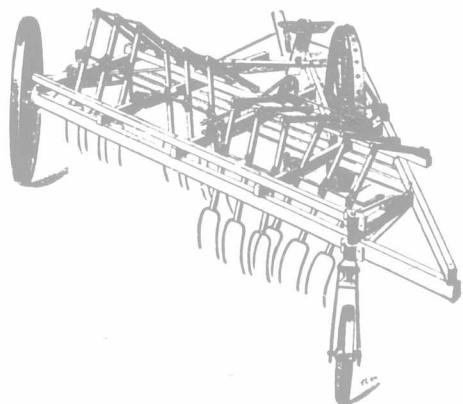
"Put Money in Thy Purse."--Shakespeare

This is as good advice to-day as when Iago gave it to the Venetian, but the twentieth-century woman has found better, and this is it:

**Buy a Boeckh
Bamboo-handle Broom**

And let it save money, save labor, save time and save carpets. It will outwear any two other brooms upon the market. Sold by all good grocers. Look for name "Boeckh" on handle.

ELMIRA HAY-MAKING MACHINERY

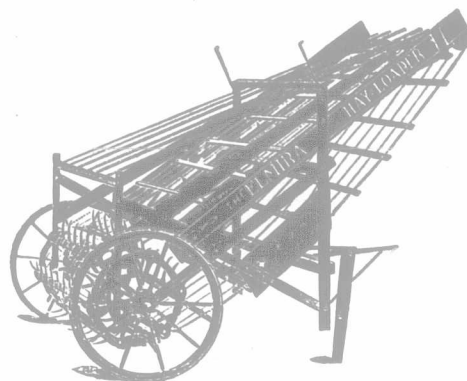


THE SIDE-DELIVERY HAY RAKE and HAY LOADER are the Greatest Time and Labor Saving Implements of the day. They will repay for their cost in a short time by curing and saving the hay properly and in saving of extra labor.

Substantially built.

Will last a lifetime.

Write for circulars, prices and terms.



The Elmira Agricultural Works Co., Limited, **ELMIRA, ONTARIO.**



**Some Fences are Good
Some Fences are Cheap**

For a fence both good and cheap, write for our catalogue. It also tells you about our New Steel Gates
**SELKIRK FENCE CO.
Welland, Ont.**

**BRITISH COLUMBIA
FARMS**

Mild climate, the best dairying country in North America. No blizzards. No cyclones. No droughts. No hot winds. No summer frosts. No cloud-bursts. The heaviest crops per acre in Canada. We are the only place without fear of contradiction. Light nights, cool water. The best price for all kinds of farms in the world.
THE CALIFORNIA OF CANADA with land for one-tenth the price.
Write for leaflet.

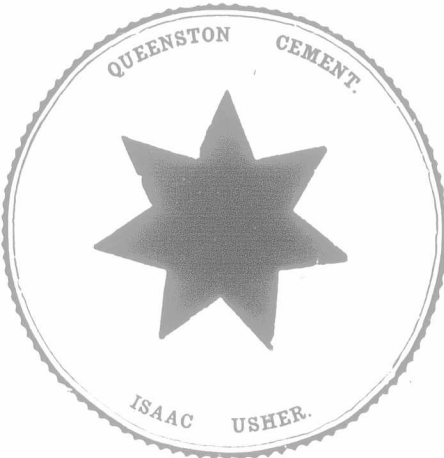
THE SETTLERS' ASSOCIATION,

BOX 540 VANCOUVER, B. C.
Please refer to this paper

Going to Build?

A new house, barn, silo, concrete floor, or any other such work? If so, use

Queenston Cement



THE old brand made by a new process. No better cement made. All who contemplate using cement should first inspect the different structures built of the different kinds of cement, and then they would know which is best and cheapest. We especially request those interested to ask our many patrons about the new-process Queenston Cement used during the latter part of last season. Do not be misled by statements from those who sell the goods most profitable to themselves. Write for prices, estimates and full particulars. We can save money for you when building.

**ISAAC USHER,
QUEENSTON, ONTARIO.**

P. E. SHANTZ, PRESTON ONTARIO.

Binders, Mowers, Rakes,
Plows, Gang Plows, Scufflers,
Steel Rollers, 3 section, weight 1060 lbs.
Diamond Harrows, Square and Flat Bulls,
Sugar-beet Drills, Cultivators and Lifters.

Write for Prices at once.

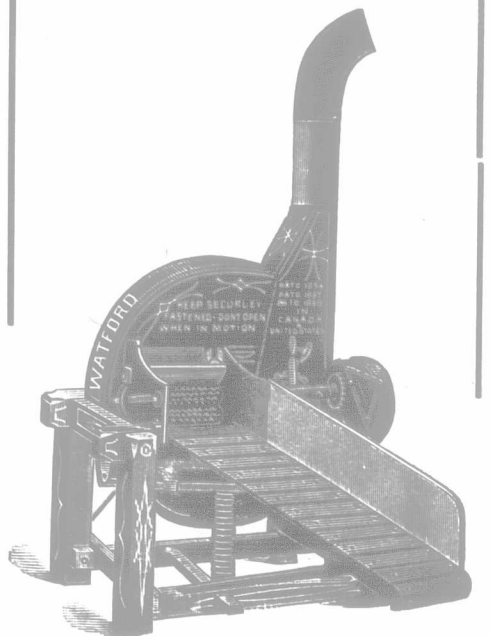
AGENTS WANTED.

**THE SILO FILLER
WITH A RECORD**

THOM'S PATENT

Is the original and only successful

BLOWER.



**LARGEST CAPACITY
AND
LEAST POWER**

FARMERS:

Be on your guard against imitation and infringements being offered by unprincipled manufacturers. All such will be proceeded against. We have spent our thousands perfecting this invention, and our rights must be protected at any cost. It's your privilege to purchase the genuine machine and avoid trouble.

Write for Testimonials.

Machines made in 6 sizes, suitable for any kind of power—from the 2-horse tread, capacity the largest, up to 30 tons per hour. Think of it, a ton every two minutes! **NO EQUAL.**

Thom's Implement Works

WATFORD, CANADA.

ESTABLISHED 1875.



The New Century Ball Bearing Washing Machine in the home stands for clean clothes, lightened labor—quick and efficient results. You sit while using it, and five minutes is sufficient for a tubful.

If your dealer has it have him show it to you. If not write us for descriptive booklet.

**THE DOWSWELL MFG. CO., Ltd.
HAMILTON ONT.**

STAMMERERS

THE ARNOTT INSTITUTE, BERLIN, CANADA. For the treatment of all forms of SPEECH DEFECTS. Dr. W. J. Arnott, Superintendent. We treat the cause, not simply the habit, and therefore produce natural speech.
Write for particulars.

THE MODEL CONCRETE MIXER.

Do you want a Concrete Mixer?

If so, send to

**A. E. HODGERT,
EXETER, ONT.**

Best of testimonials. Saves cement, and stronger wall. Also extension steel silo curbing, building any size silo.

Advertisement on this page, kindly mention the FARMER'S ADVOCATE.