

The Canadian Patent Office RECORD

Vol. XXVII.—No. 3.

MARCH 31st, 1899.

{ Price free by post in Canada and the United States, \$2.00.
SINGLE NUMBERS, - - - 20 Cts

NOTICE.

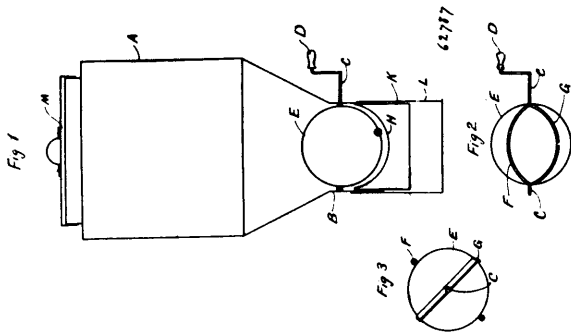
All solicitors, agents or attorneys who, in circulars or advertisements, or otherwise, refer to the Commissioner or Deputy Commissioner of Patents, or to any other official of the Patent Office, for evidence of their professional standing, do so without authority.

INVENTIONS PATENTED.

NOTE.—Patents are granted for 18 years. The term of years for which the fee has been paid, is given after the date of the patent.

No. 62,787. Flour Chest and Sifter.

(Huche et tamis à farine.)



Andrew Wheeler Green, Toronto, assignee of Archibald H. Britnell, Belleville, Ontario, Canada, 2nd March, 1899; 6 years. (Filed 25th January, 1899.)

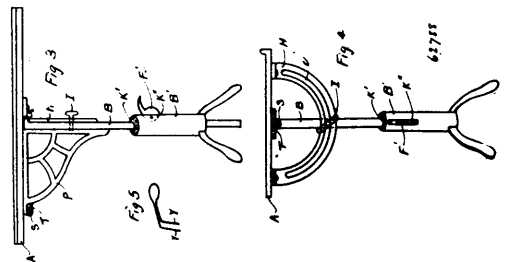
Claim.—The herein described flour chest and sifter, comprising body portion A, lower portion B permanently connected to said body portion, hollow cylinder K having the hemispherical sieve permanently united to said cylinder, in combination with a spherical ball E having the raised portions F and G, the said ball being rigidly united to the rod C, substantially as and for the purpose hereinbefore set forth.

No. 62,788. Table. (Table.)

John Burkell and Robert Elliott, both of Rosemeath, Ontario, Canada, 2nd March, 1899; 6 years. (Filed 26th January, 1899.)

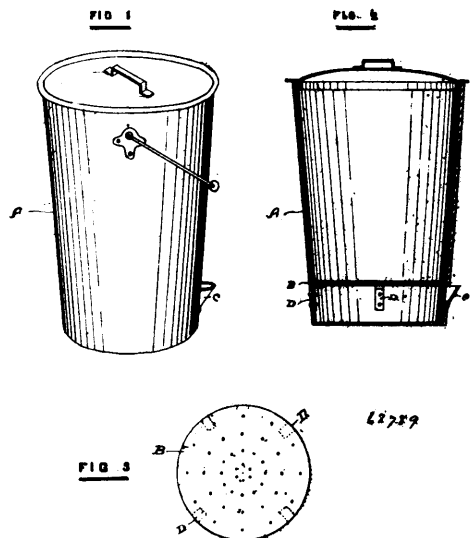
Claim.—1st. In a combination table and writing desk, the combination of the adjustable table with the stationary frame D, substantially as and for the purpose specified. 2nd. In a combination table and writing desk, the combination of the table, the stationary frame, with means for securing said frame to the frame of a bedstead or other suitable place, and means for adjusting said table to any height desired, substantially as described. 3rd. In a combination table and writing desk, in combination the table, the stationary frame, means for securing said frame to any suitable place desired, means for raising or lowering said table, with the bracket pivotally connected to said table and the semi-circular frame H, with means

for tilting the table, substantially as and for the purpose specified. 4th. In a combination table and writing desk, in combination the



table, pivotally connected to the frame and bracket, the upright standard, with means for raising said frame vertically in said standard, and means for tilting the table, substantially as and for the purpose specified. 5th. In a combination table and writing desk, in combination the table, the upright standard, means for tilting said table sideways, means for raising said table vertically in said standard, with means for securing said standard to the frame of a bedstead or any suitable place desired, as described.

No. 62,789. Pail. (Seau.)



Marie Susan Spence, Toronto, Ontario, Canada, 2nd March, 1899; 6 years. (Filed 11th February, 1899.)

Claim.—In a pail for kitchen refuse, the combination of a pail with an outside lip near the bottom, a strainer to fit inside the pail, but removable therefrom, and supported on a level with the lip by