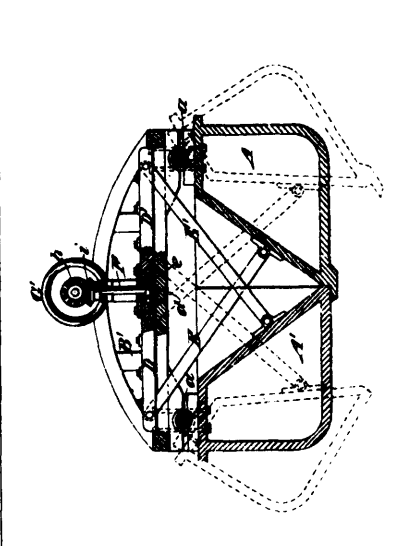
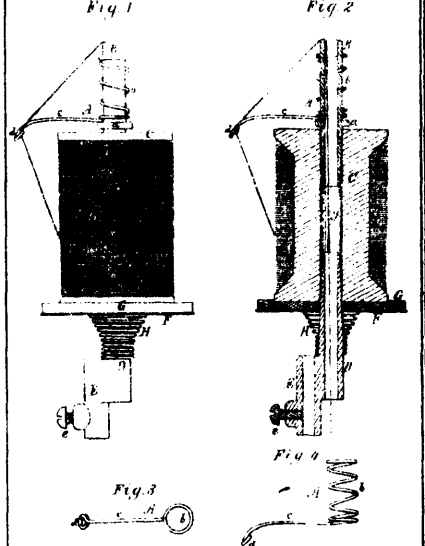


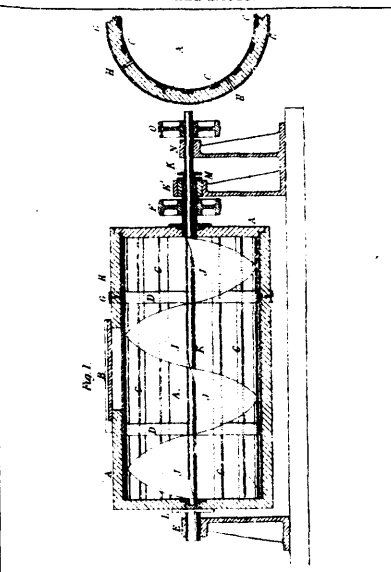
17535 Robinson's Sole Fastenings for Boots and Shoes.



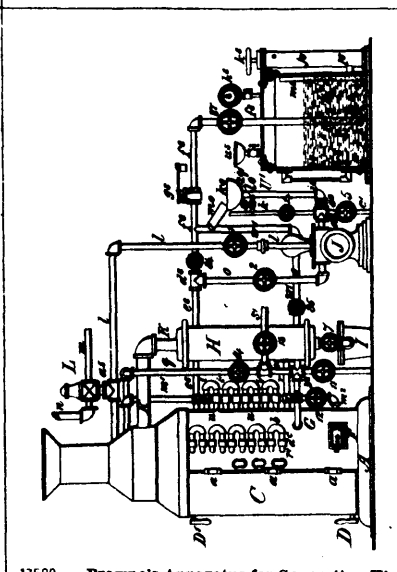
17536 Barney's Dumping Boat.



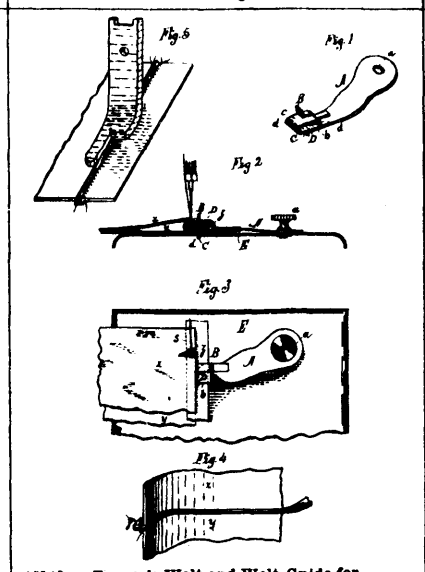
17537 Nichols' Device for Unwinding Thread from Spools.



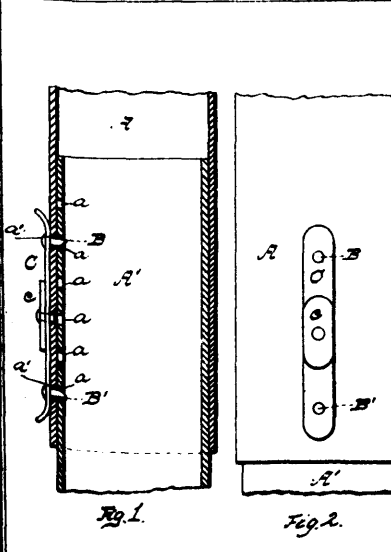
17538 Treatment of Gold and Silver Ores.



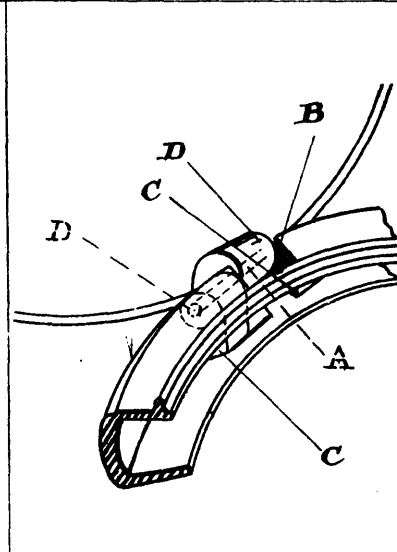
17539 Browne's Apparatus for Generating High Pressure Gas.



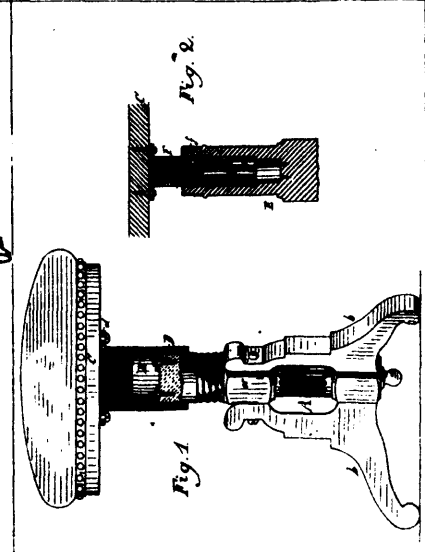
17540 Turner's Welt and Welt-Guide for Sewing Machines.



17541 Smith's Stove Pipe.



17543 Quigley's Watch Case.



17544 Rich's Piano Stool.