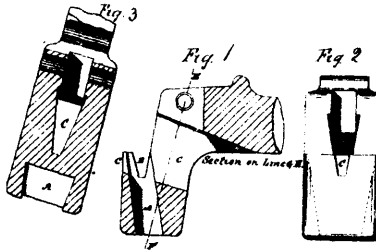
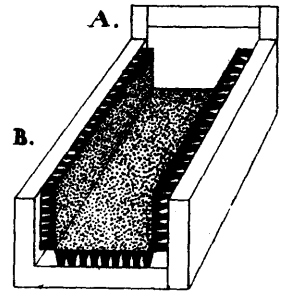


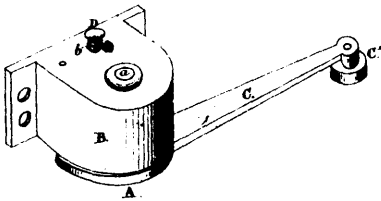
6566 Lesser and Jacobs' Art of Pressing and Bundling Cigars.



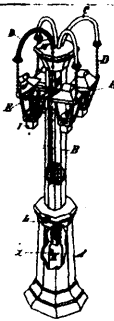
6567 New, Matthews and Berry's Improvements in Tool Holders and Cutting Tools.



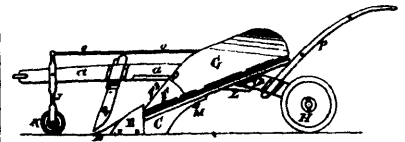
6568 Minskowski's Combination for Scraping and Brushing Boots.



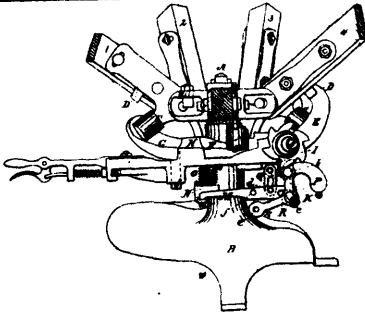
6569 Sabin's Door Spring.



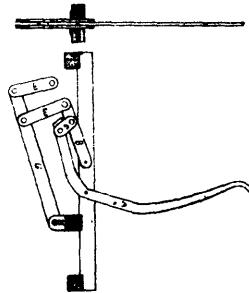
6570 Burton's Improvements in Lamps.



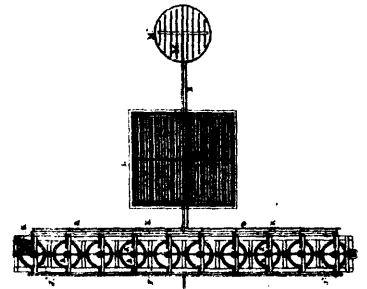
6571 Derby's Ditching Plough.



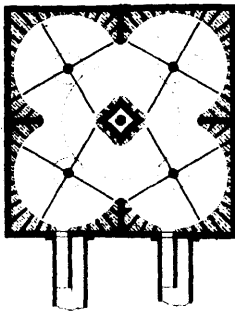
6572 Warner's Improvements in Harvesters.



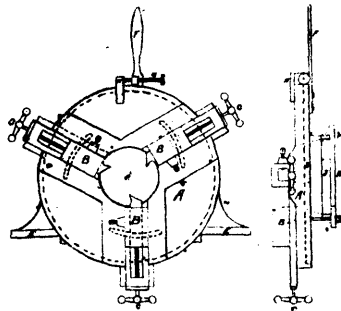
6573 Henderson and Campbell's Improvements on Horse Rakes.



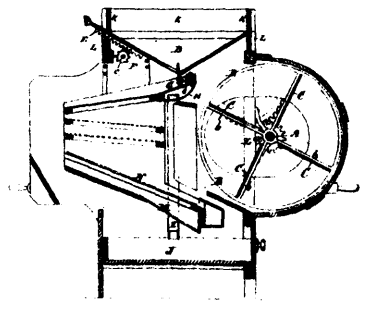
6574 Harrison and Stickney's Improvements on Salt Evaporators.



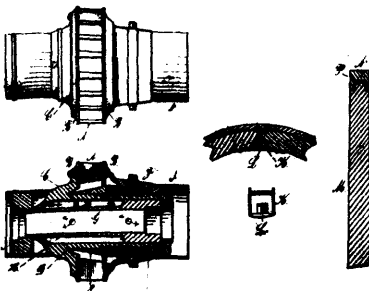
6575 Glizinger's Vehicle Spring.



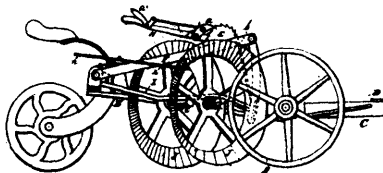
6576 Stewart's Machine for Turning Shafting and Screws.



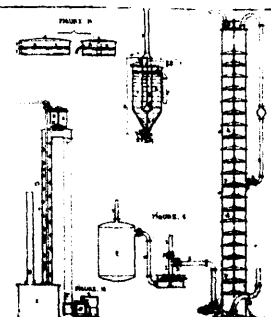
6577 Muon's Fanning Mill



6578 Stevens' Improvements on Wheels.



6579 Underwood's Rotary Gang Plough.



6581 Solvay's Process and Apparatus for the Manufacture of Carbonates of Soda.