

TITLE OF INVENTION.

FIG. 1.

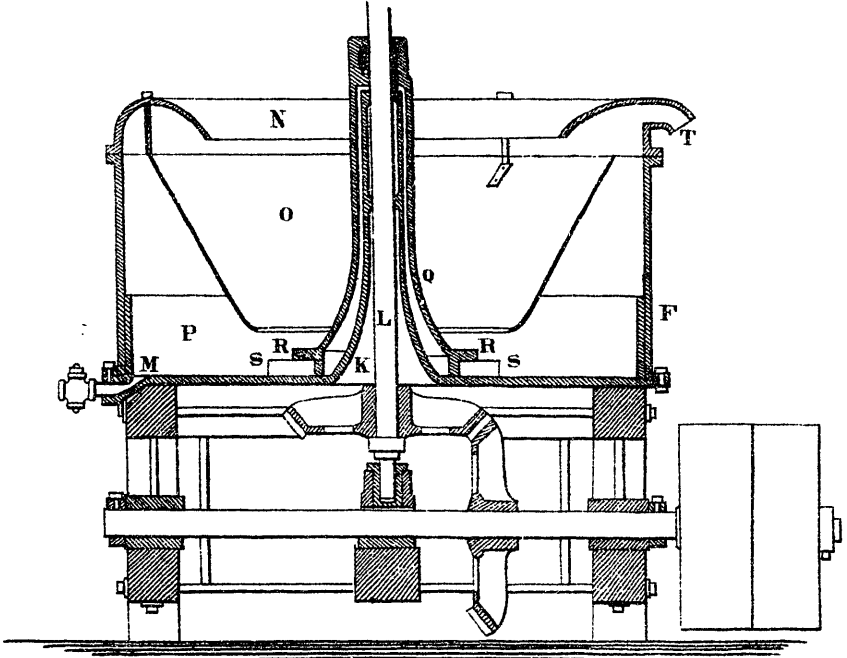
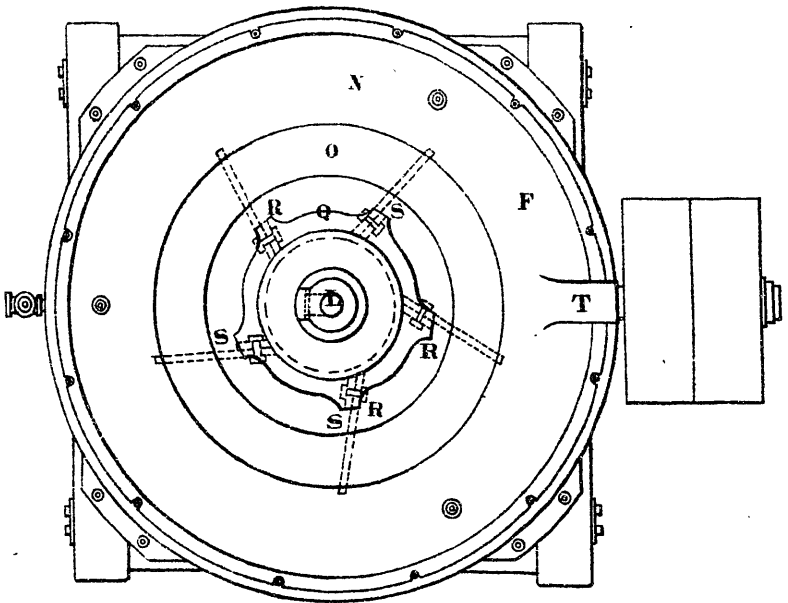


FIG. 2.



Certified to be the Drawings referred to in the specification hereunto annexed.

(Place and date.)

(Signature of two witnesses.)

(Signature of Inventor or his Attorney.)