

26109 Millett's Copying Lathe.

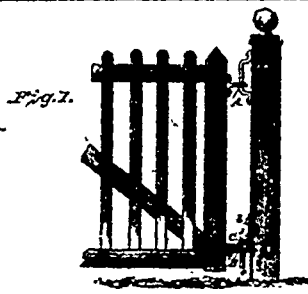


Fig. 1.

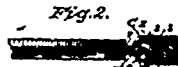


Fig. 2.

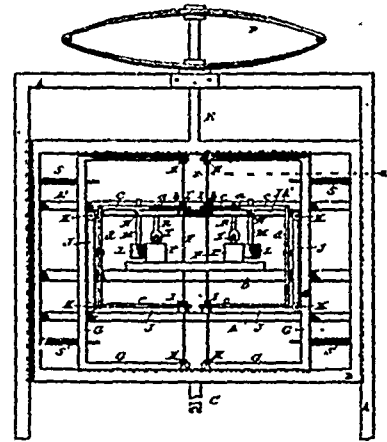
Fig. 3.



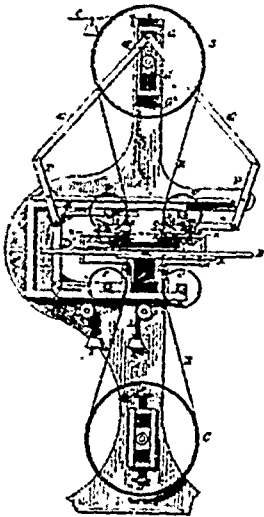
Fig. 4.



26110 Ollinger's Gate Hinge.



26111 Maxwell's Scroll Saw Machine.



26112 Maxwell's Band Saw Machine.



Fig. 1.

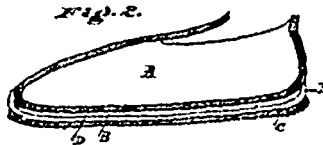


Fig. 2.

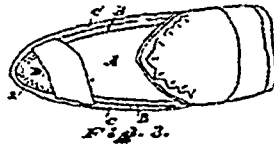


Fig. 3.

26113 Gallick's Snow-Shoe Moccasin.

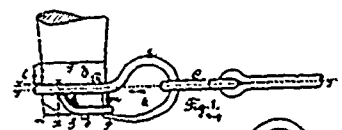


Fig. 1.

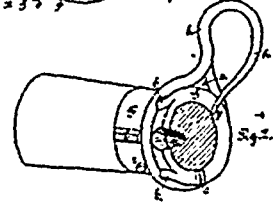
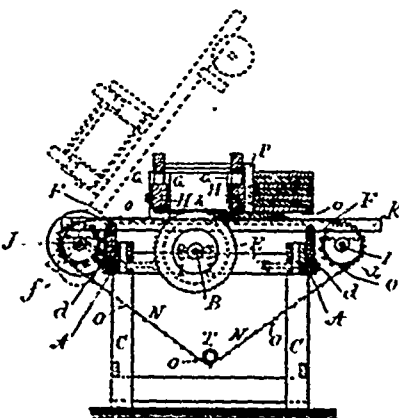


Fig. 2.

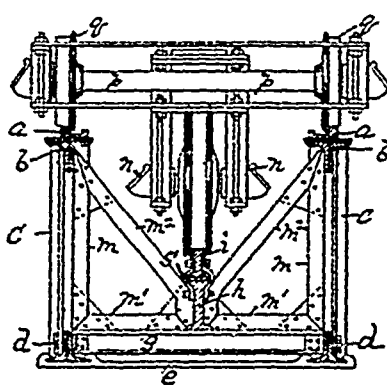


Fig. 3.

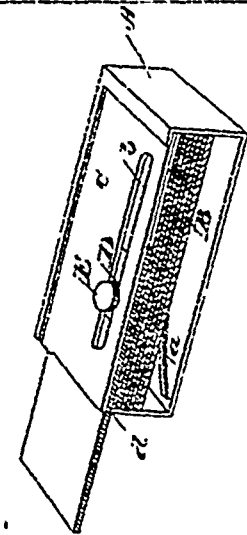
26114 Davis' Whitetree Hook.



26115 Barnes' Gang Cross-Cut Sawing Machine.



26116 Mack's Elevated Railroad Track and Truck Therefor.



26117 Currio's Ticket Box.