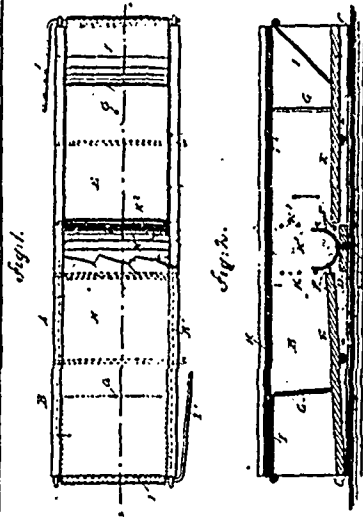
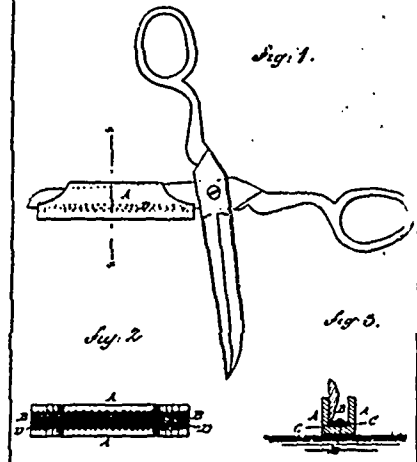


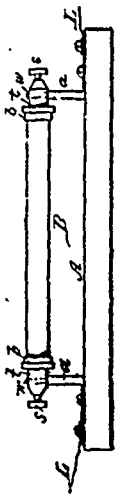
24561 Gilbert's Latch Operating Device.



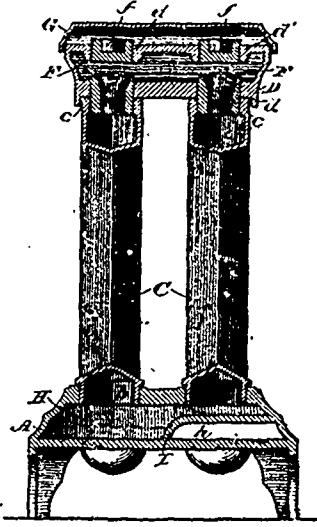
24562 Snell's Animal Trap.



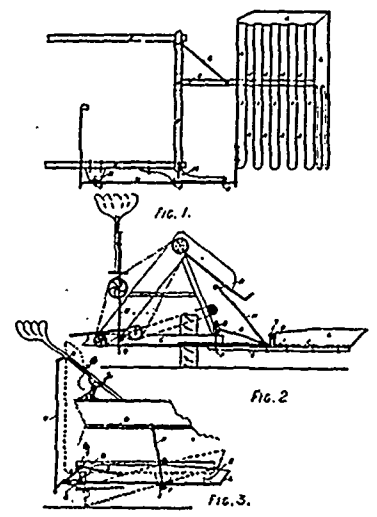
24563 Hilton's Scissors-Sharpener.



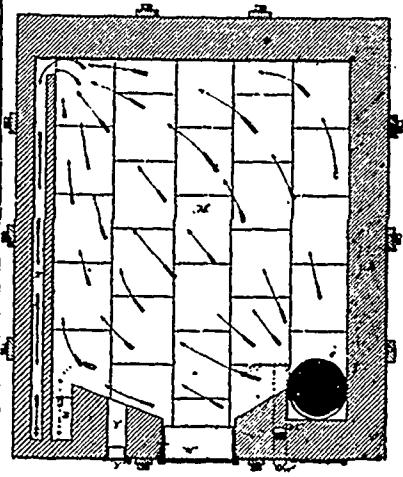
24564 Vall's Apparatus for Protecting Electrical Instruments.



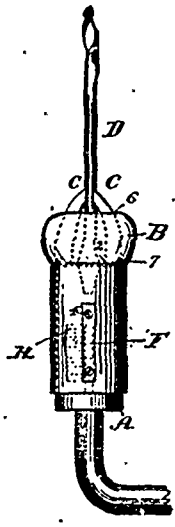
24565 Thompkins & Matlock's Steam and Hot Water Radiator.



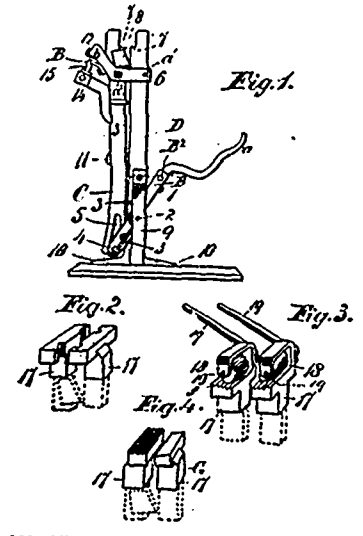
24566 Lowry's Sheaf Carrier for Harvesters.



24587 Hall's Baking Oven.



24568 Packwood's Bit Stock.



24569 Oliver's Compound Metal Working Machine.