

# Brantford Galvanized Steel Windmills Grain Grinders, Etc.



**"Steel King" Pumping Mill**

with Sprocket Drive and our Patent Roller and Ball Bearings.  
Sizes 8 to 16 feet in diameter.

## POWER WINDMILLS

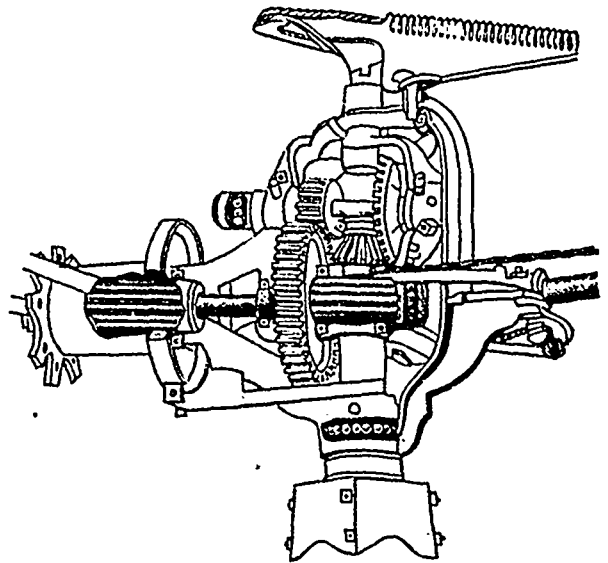
*All Steel Galvanized Patent Roller and Ball Bearings.*

New Governing device making it impossible for the mill to break loose in a high wind and run away.

Two bearings for each gear wheel (one on each side).

The best and heaviest gearing on any Power Windmill. Sizes 12, 13, 14, 15 and 16 feet in diameter. Will run a

*Cutting Box, Our Grain Grinders, Root Pulper, Saw, Latho, Etc., and Pump Water.*



View of Engine of Power Windmill, showing Patent Bearings (Two for each Plain Shaft.)

We also make and sell

**Ideal Pumping Windmills**

**Galvanized Steel Towers**

either 3 or 4 posts of all kinds and heights.

**Iron Pumps**

Lift and Force.

**Iron Pipe**

Plain and Galvanized.

**Pipe Fittings**

**Brass Cylinders**  
Good Quality.

**Spray Pumps**

**Fanning Mills**  
(Gearless).

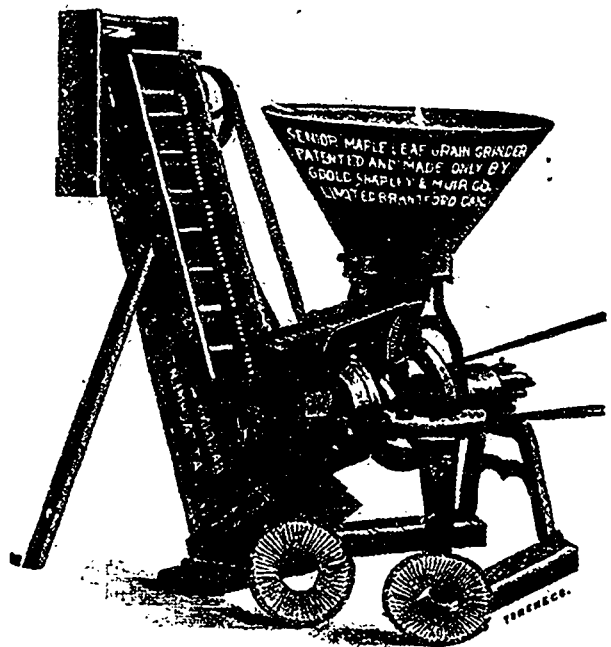
**Bee Supplies**

**Publishers**

**"Canadian Bee Journal."**

See our fine exhibits at Toronto, London and Ottawa Fairs or send for new illustrated catalogue.

## THE CELEBRATED MAPLE LEAF GRAIN GRINDER



**FOR ANY POWER**—2 or 3-horse Tread, Sweep Powers of all kinds; Steam Engines; Electric Motors; Water Power. Our 13, 14 and 15-foot Brantford Ideal Solid Power Windmills drive it like a charm.

**FOR ANY PERSON**—Farmers, Stockmen, Dairymen, Flax Mills, Grist Mills, Spice Men, Threshers, etc.

Made in two sizes only, but perfectly adapted for any power from two to twenty horse, and will grind from five to eighty or more bushels per hour, according to speed and kind of work.

**GOLD SHAPLEY & MUIR GO. LIMITED**  
BRANTFORD CAN.

**"IDEAL" Galvanized Steel Flag Staff**  
From 25 to 150 feet in height.

