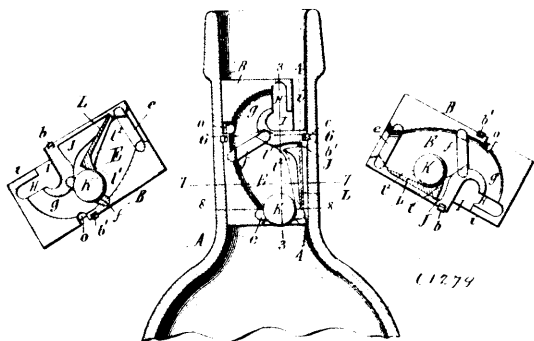


No. 61,279. Bottle Stopper. (*Bouchon de bouteille.*)



Samuel Marcus Goldberg and Oscar Marcus Goldberg, both of Buffalo, New York, U.S.A., 1st October, 1898; 6 years. (Filed 6th September, 1898.)

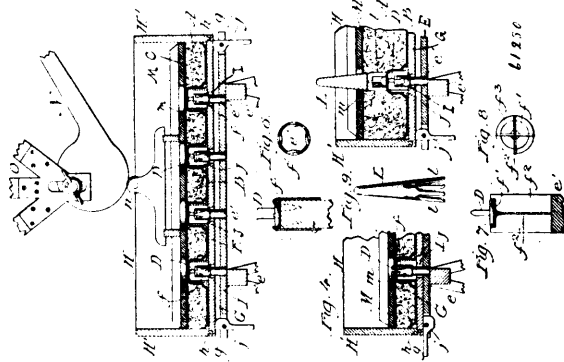
Claim.—1st. The combination with a stopper body having its liquid passage provided with a valve chamber which has a valve seat at its outer end, of a valve which is adapted to seat itself against said seat, and a locking pawl whereby the valve is locked on said seat, substantially as set forth. 2nd. The combination with a stopper body having its liquid passage provided with a valve chamber which has at its upper or outer end a downwardly or inwardly opening valve seat, of a ball valve arranged in said chamber, and a locking pawl also arranged in said chamber and pivoted at its lower end, while its upper end is free to lock said valve on said seat, substantially as set forth. 3rd. The combination with a stopper body having in its lower portion a valve chamber provided at its lower end with an upwardly opening valve seat and at its upper end with a downwardly opening valve seat and with a recess on one side of said upper valve seat, and having its liquid passage extending from said upper valve seat upwardly, downwardly and laterally to an upwardly opening exit which is arranged on the same side as the recess of the valve chamber, of a ball valve, and a locking device for said valve arranged in said recess of the valve chamber, substantially as set forth. 4th. The combination with the stopper body having its liquid passage provided with a valve chamber which has at its upper end a downwardly or inwardly opening valve seat, of a ball valve arranged in said chamber, and a locking pawl also arranged in said chamber and provided on its front side and in rear of its head or free end with a depression or concavity adapted to receive the valve, substantially as set forth. 5th. The combination with a stopper body having its liquid passage provided with a valve chamber constructed with an inner and an outer valve seat, and a valve and a locking device arranged in said chamber, of a vent passage extending from the outer end of said stopper body into said liquid passage, substantially as set forth. 6th. The combination with the stopper body composed of two separate parts or halves joined longitudinally and diametrically and each provided with a semi-circular recess or groove, of a continuous annular valve seat arranged in said grooves of the two parts of the body and breaking the joint between the two parts of the body, and a valve adapted to seat itself against said seat, substantially as set forth.

No. 61,280. Upholstering Apparatus. (*Appareil de tapissier.*)

Novelty Tufting Machine Co., assignee of Alfred Freschl, all of Chicago, Illinois, U.S.A., 1st October, 1898; 6 years. (Filed 9th September, 1898.)

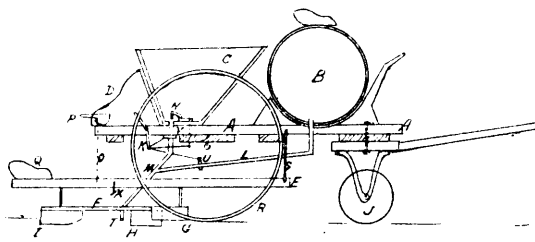
Claim.—1st. In an upholstering apparatus, the combination with a former adapted to receive the material for forming a cushion and provided with tucking tubes, of a pin board provided with pins which enter said tucking tubes, and support the clench nails within the same when said former is elevated and which have their upper ends provided with clamping jaws between which the heads of the clench nail are held, and means for forcing the cushion and former toward the pin board, whereby the downward movement of the tucking tubes with said former exposes the clench nails clamped to the supporting pins and the nails are driven into the cushion substantially as set forth. 2nd. In an upholstering apparatus, the combination with a former adapted to receive the material for forming a cushion and provided with tucking tubes, of a pin board provided with pins which enter said tucking tubes and support the clench nails within the same when said former is elevated and which have elastic nail holding jaws secured to their upper ends, and means for forcing the cushion and former toward the pin board, substantially as set forth. 3rd. In an upholstering apparatus, the combination with a former adapted to receive the upholstering material for forming a cushion and provided with tucking tubes, of a pin board provided with pins which enter said tucking tubes and support the clench buttons with the same when said former is elevated, rigid supporting devices whereby said former can be rigidly supported above said pin board to resist the pressure while the upholstering material is being compressed and which can be released, and means whereby the cushion and former can be forced toward the pin board when

said supporting devices have been released, substantially as set forth. 4th. In an upholstering apparatus, the combination with a former



adapted to receive the upholstering material for forming a cushion and provided with tucking tubes, of a pin board provided with pins which enter said tucking tubes and support the clench buttons within the same when said former is elevated, pivoted cams which are adapted to support said former rigidly above the pin board and which can be released to allow said former and the cushion resting thereon to move toward the pin board, and means whereby said cushion and former can be forced toward the pin board, substantially as set forth. 5th. In an upholstering apparatus, the combination with a former adapted to receive the material for forming a cushion and having tucking tubes, of upright side and end boards movably attached to the sides and ends of said former, a pin board provided with pins which enter said tucking tubes, and support the clench nails within the same when said former is elevated, and means whereby said former with its side and end boards and the cushion confined by the same can be forced toward said pin board, substantially as set forth.

No. 61,281. Planting Machine. (*Planteoir.*)



61281

Daniel François Rhéaume, Montréal, Qué., sessionnaire de Daniel Riopel, L'Assomption, Qué., Canada, 1er octobre 1898; 6 ans. (Déposé le 2e août 1898.)

Résumé.—1° Une planteuse ayant un baril ou réservoir à eau B, une boîte à engrais C, un levier K activé par l'entremise des maîtresses roues qui met en mouvement l'agitateur N, en même temps qu'il ouvre la valve V et le robinet U pour déposer en points équidistants et circonscrits une quantité déterminée d'engrais mêlé d'eau dans un sillon ouvert par une charrue H, précédée d'un chasse-pierre G et suivi d'oreilles I, qui ramène autour du plant la terre qui avait été écartée par la charrue dans le but et de la manière ci-dessus décrite. 2° Dans une planteuse, un levier K activé par l'entremise des maîtresses roues et qui met en mouvement l'agitateur N, en même temps qu'il ouvre le robinet à l'eau U et la valve à engrais V pour déposer en points équidistants et circonscrits une quantité déterminée d'engrais mêlé d'eau dans un sillon ouvert par une charrue H, précédée d'un chasse-pierre G et suivi d'oreilles I qui ramène autour du plant la terre qui avait été écartée par la charrue, tel que ci-haut décrit. 3° Dans une planteuse un baril ou réservoir à eau B ayant un tuyau L communiquant à un conduit à engrais M et muni d'un robinet U nu par un levier K qui met en mouvement l'agitateur N en même temps qu'il ouvre la valve V du conduit à engrais pour déposer en points équidistants et circonscrits une quantité déterminée d'engrais mêlé d'eau dans un sillon ouvert par une charrue H, précédée d'un chasse-pierre G et suivi d'oreilles I qui ramènent autour du plant la terre qui avait été écartée par la charrue, tel que décrit. 4° Dans une planteuse une boîte à engrais C ayant un agitateur N et un conduit M communiquant avec un tuyau à l'eau L, muni d'une valve V mue par un levier K qui met en mouvement l'agitateur N en même temps qu'il ouvre le robinet U pour déposer en points équidistants et circonscrits une quantité déterminée d'engrais mêlé d'eau dans un sillon ouvert par une charrue H précédée d'un chasse-pierre G et suivi d'oreilles I qui