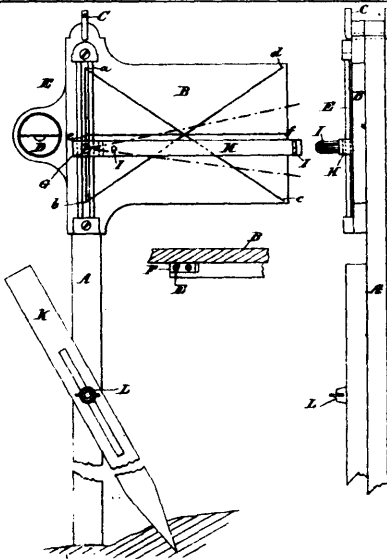
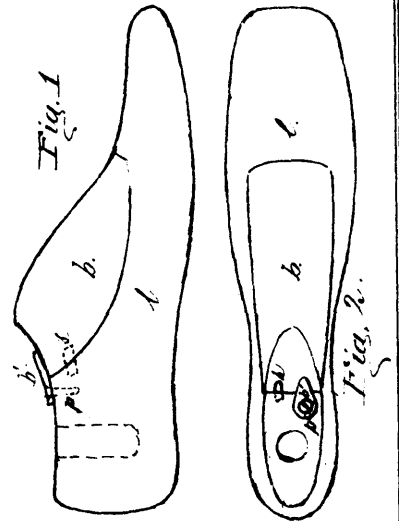


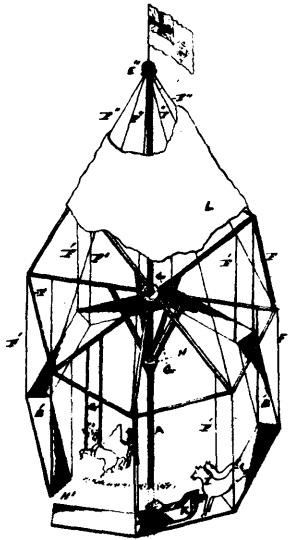
17751 England's Croquet Wickets.



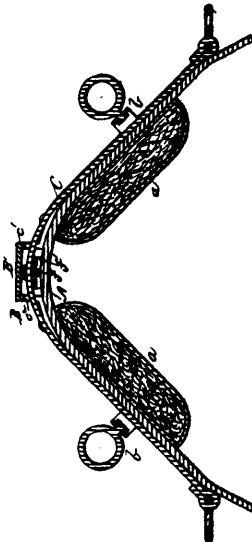
17752 Massy's Clinometer.



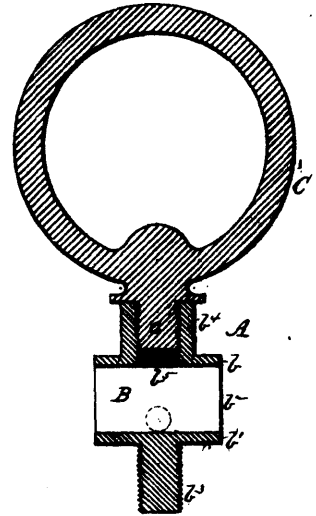
17753 Clerke and Condon's Lasts and Blocks.



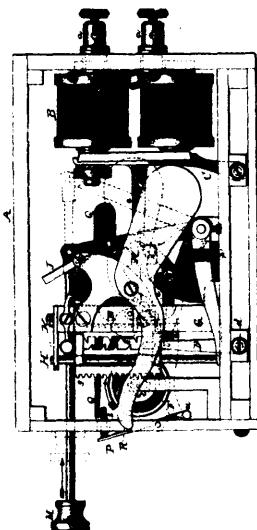
17754 Peterson et al's Whirligig.



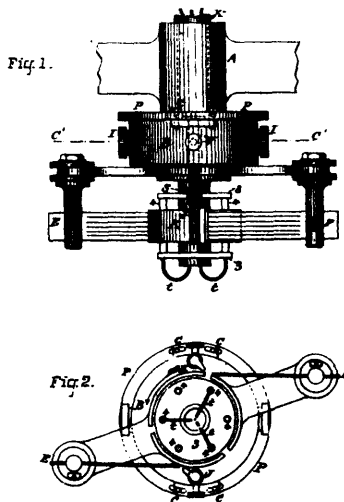
17755 McFadden's Harness Saddles.



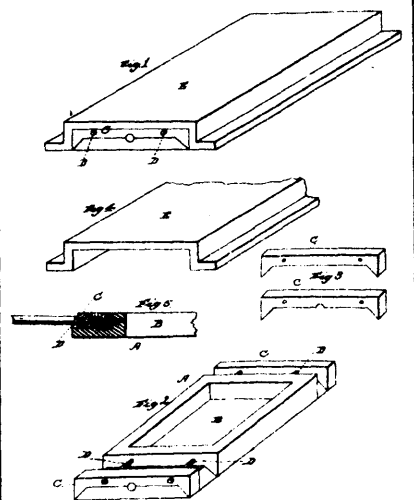
17756 McFadden's Harness Terrets.



17757 MacKenzie's Electrical Visual Indicators.



17758 Thomson's Air Blast Attachment.



17759 Knecht's Balanced Slide Valves.