

(TITLE OF INVENTION.)

FIG. 1.

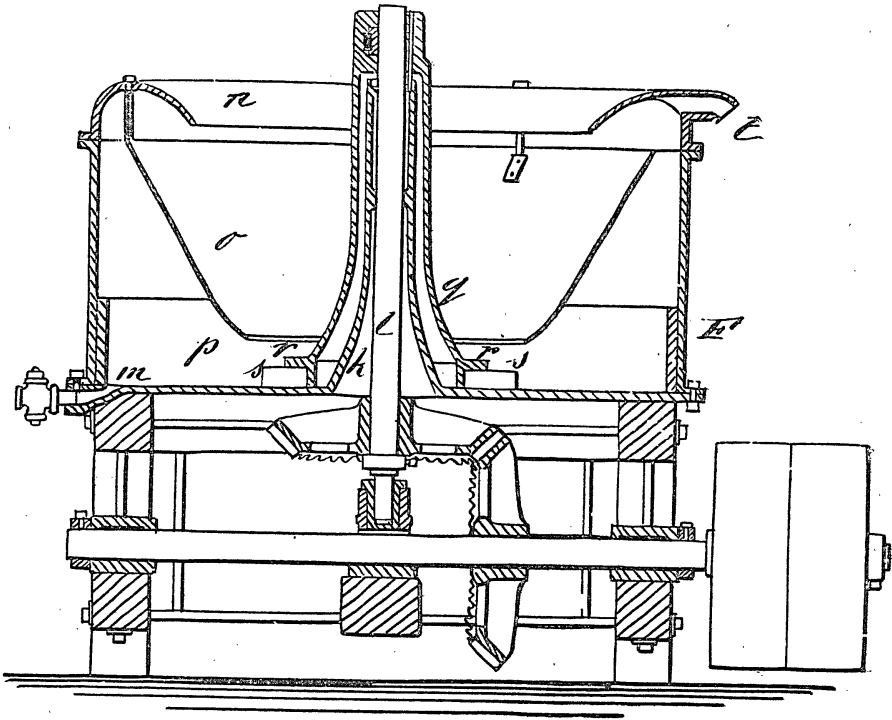
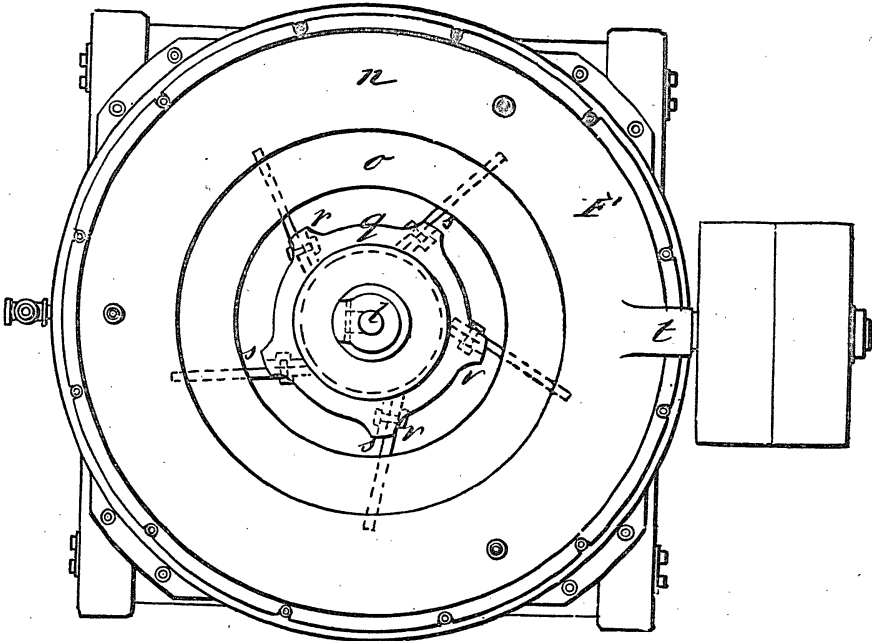


FIG. 2.



Certified to be the Drawings referred to in the specification hereunto annexed.

(Place and date.)

(Signatures of two witnesses.)

(Signature of Inventor or his Attorney.)