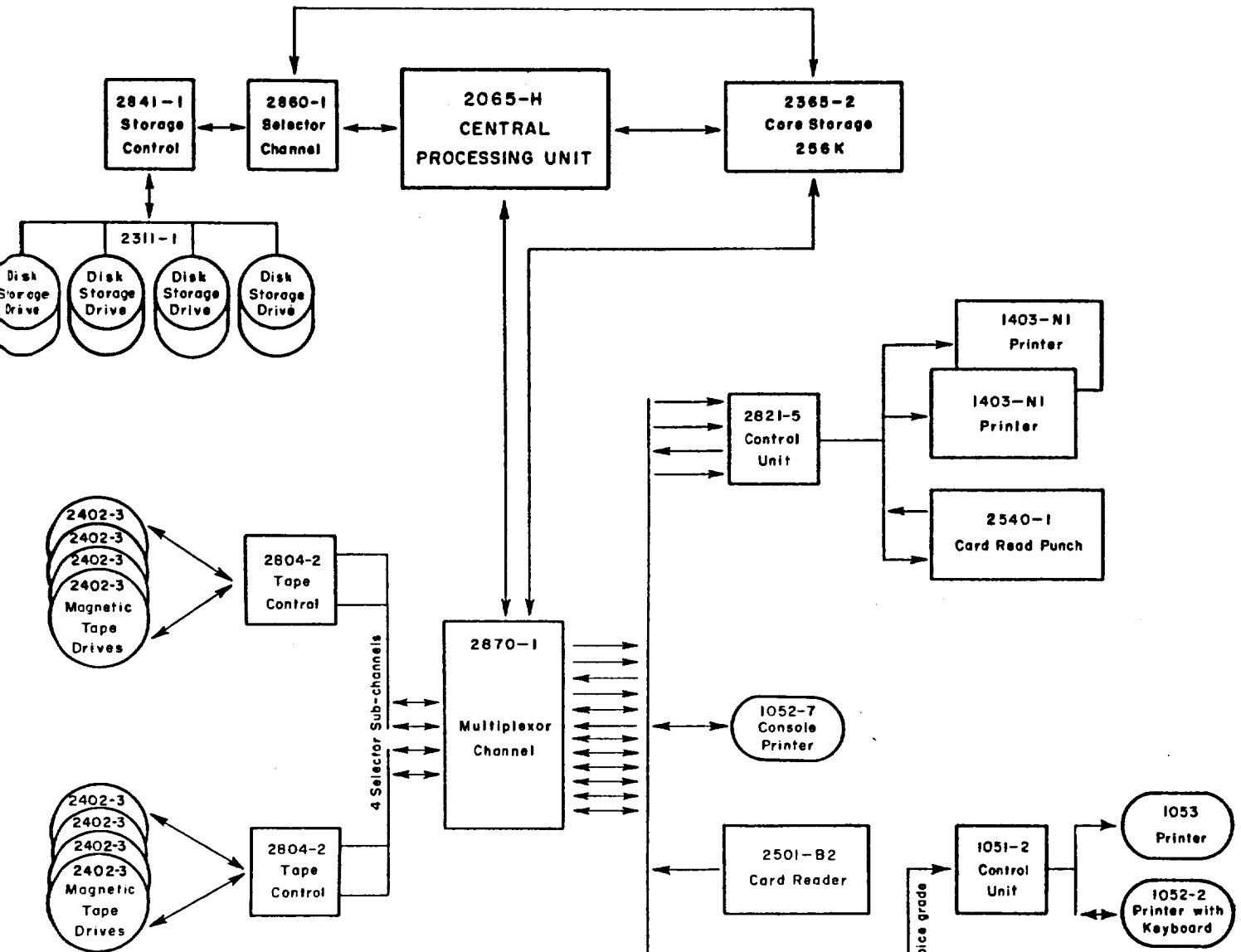


IBM 360/65 COMPUTER SYSTEM



● **DISK STORAGE:**

Transfer rate: 156K bytes per sec.
 Average access: 97.5ms
 Storage: 7.25 million bytes each
 Removable disks

● **MAGNETIC TAPE DRIVES:**

| | 6 DRIVES | 2 DRIVES |
|-----------------------|---|---------------------|
| Transfer rate | 90K | 90K |
| Density | 800 bpi | 200,556, or 800 bpi |
| No. of tracks | 9 | 7 |
| Read | Forward and backward | |
| Simultaneous activity | 1 read and 1 write on each control unit | |

- **READER (2501-B2)** — maximum: 1000 cpm } 2501 and 2540
- **READER (2540-11)** — maximum: 1000 cpm } include column binary
- **PUNCH (2540-1)** — maximum: 300 cpm } Selector stacker on 2540 only.

● **PRINTER:** 957 to 1400 lpm
 132 print positions
 Upper and lower case available

● **MULTIPLEXOR** — maximum transfer rate: Total — 670K bytes per sec.
 Tapes — 640K bytes per sec.
 Other devices — 110K bytes per sec.

● **CORE STORAGE CYCLE:** 0.40 to 0.75 μ s. per 8 bytes

● **CENTRAL PROCESSOR** — Basic machine cycle: 0.20 μ s. per 8 bytes

● **SELECTOR CHANNEL** — maximum transfer rate: 1,300K bytes per sec.

K.J. Radford

Figure 1.