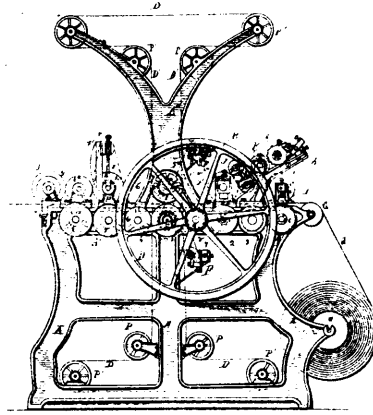
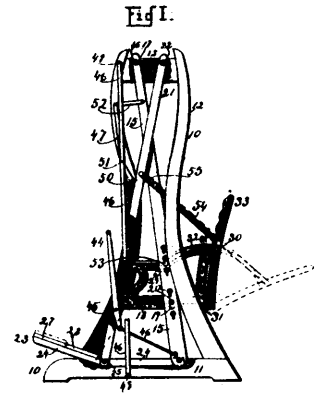


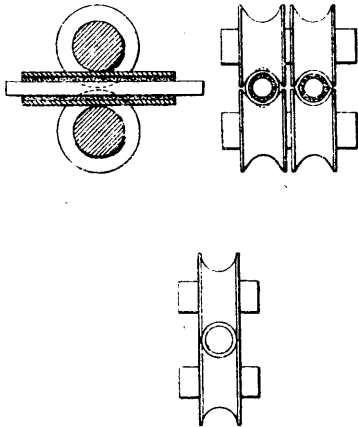
41760 Schnett's Divider for Mowing Machines.



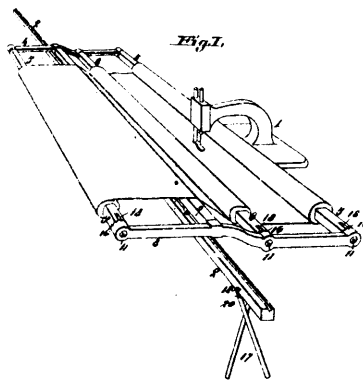
41761 McDowell's Printing Machine.



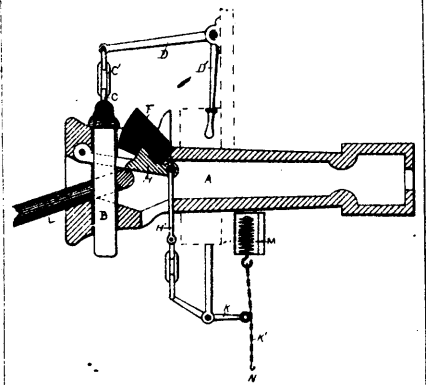
41762 Anvil's Oscillating Chair.



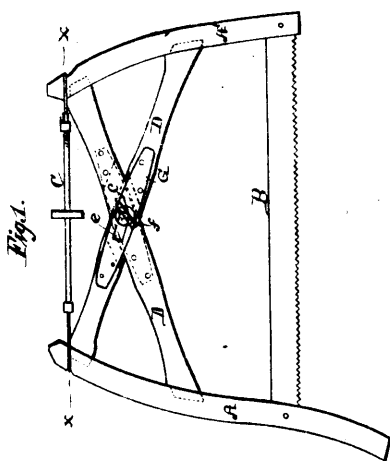
41763 Everson, Williams and Bissell's Mode of Cold Rolling Tubes.



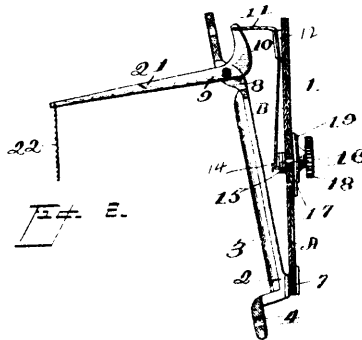
41764 Davis' Quilting Attachment for Sewing Machines.



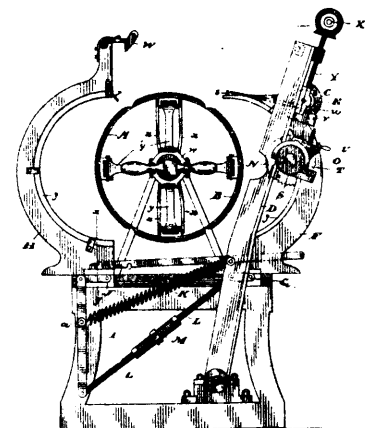
41765 De Roberts' Car Coupler.



41766 Woodring's Buck Saw.



41767 Howard's Draft Regulator



41768 Vale's Barrel-making Machine.