

The Canadian Patent Office

RECORD





Vol. XXV.—No. 7.

JULY 31st, 1897.

{ Price free by post in Canada and the United States, \$2.00.
SINGLE NUMBERS, - - - 20 Cts

NOTICE.

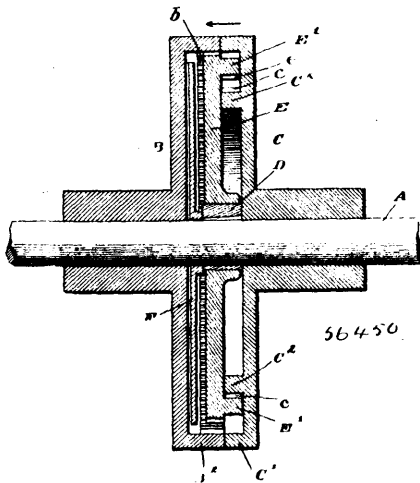
All solicitors, agents or attorneys who, in circulars or advertisements, or otherwise, refer to the Commissioner or Deputy Commissioner of Patents, or to any other official of the Patent Office, for evidence of their professional standing, do so without authority.

INVENTIONS PATENTED.

NOTE.—Patents are granted for 18 years. The term of years for which the fee has been paid, is given after the date of the patent.

No. 56,450. Power Transmitter.

(Appareil de transmission de la force.)

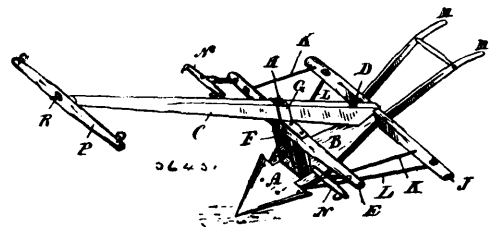


Daniel Stephen Regan, San Francisco, California, U.S.A., 2nd July, 1897; 6 years. (Filed 15th November, 1895.)

Claim.—1st. The combination, with a driving shaft and an eccentric fixed thereon and revolving therewith, of a combined external and internal gear wheel revolving loosely upon and driven by the eccentric, and the internal and external gear wheels respectively engaging said internal and external gear. 2nd. The combination with an electric motor and its driving shaft, of an eccentric fixed thereon and revolving therewith, a combined external and internal gear wheel revolving loosely upon and driven by the eccentric, and internal and external gear wheels respectively engaging said external and internal gears, substantially as described. 3rd. The com-

ination with a driving shaft and an eccentric fixed thereon and revolving therewith, of a combined external and internal gear wheel revolving loosely upon and driven by the eccentric, the internal and external gear wheels respectively engaging said external and internal gear and a balance on the shaft for counterbalancing the eccentric and the gearing supported thereon, substantially as described. 4th. The combination of a driving shaft, an eccentric fixed thereon and revolving therewith, a combined external and internal gear wheel revolving loosely upon and driven by the eccentric, an internal gear on the shaft engaging the aforesaid external gear and having a greater diameter and a greater number of teeth, and an external gear likewise on the shaft and engaging the internal gear of the combined gear wheel and having a less number of teeth than the internal gear, together with a balance on the shaft for counterbalancing the eccentric and the gearing supported on the eccentric, substantially as described.

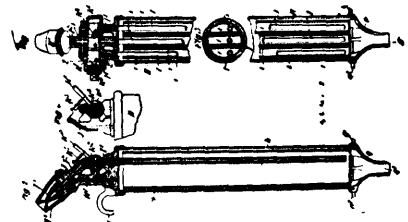
No. 56,451. Shovel Plough. (Charrue.)



Lazarus Wener, New Glasgow, Nova Scotia, 2nd July, 1897; 6 years. (Filed 13th May, 1896.)

Claim.—1st. The plough frame comprising the pole C, bolted at the rear end to the sheath, the draft bar E, connected to the pole and sheath by a bracket F, yoke G, and through bolt H, and the draft bar E, reinforced by the parallel bar J, morticed to the end of the sheath and connected to the said draft bar and sheath by rods or braces K and L, as set forth. 2nd. The draft bars E and J, connected together and to the sheath transversely, for attachment of the handles M, and to a pair of shafts, as set forth.

No. 56,452. Apparatus for Coating Surfaces with Paint or Similar Substance. (Appareil pour enduire les surfaces de peintures, etc.)



Roughsedge Wallwork, Roger street, Manchester, and Arthur Collings Wells, London, both in England, 2nd July, 1897; 6 years. (Filed 22nd September, 1896.)

Claim.—1st. In apparatus for spraying paint or similar substance, the combination with the nozzle head of a detachable holder contain-