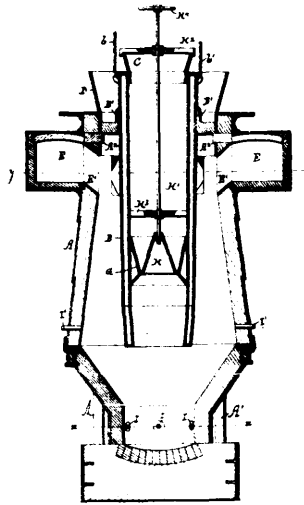


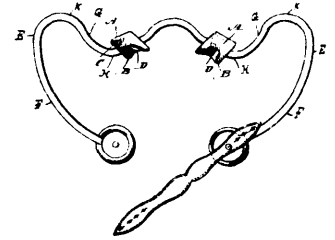
39006

McEntee's Car Coupling.



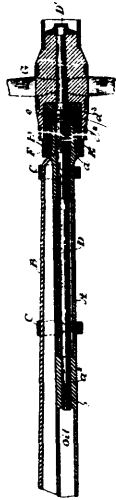
39007

Austin's Smelting Apparatus.



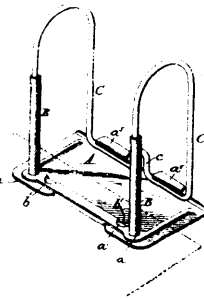
39008

Dallas' Truss.



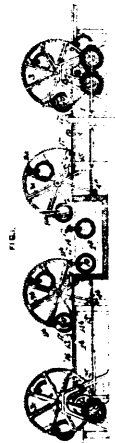
39009

Hoeffler and Chapman's Axle.



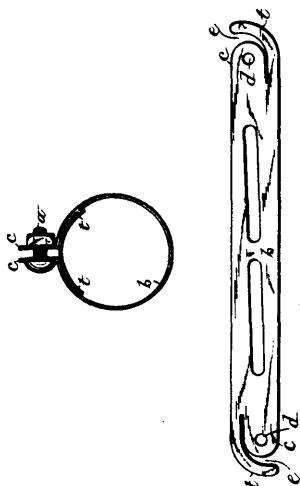
39010

Jewell's Letter File.



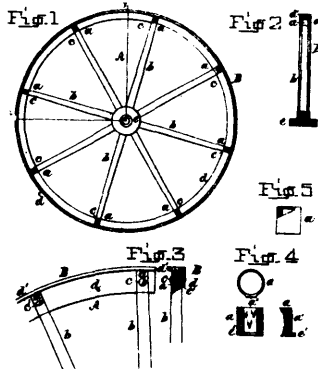
39011

Hayes and Kong's Apparatus for Treating Wire.



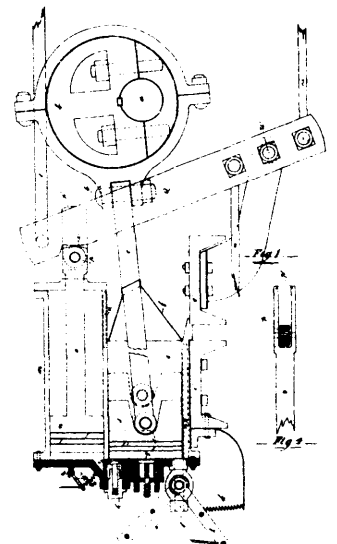
39012

Dickinson's Hose Clamp.



39013

Circle's Wheel.



39014 Chapleau's Momentum Air Compressor and Air Brake.