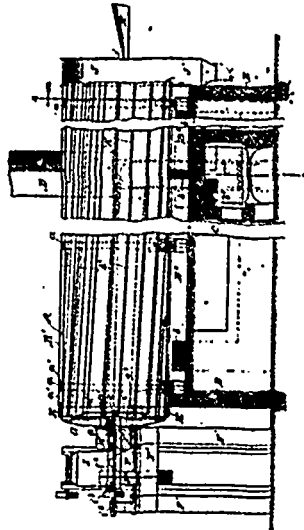
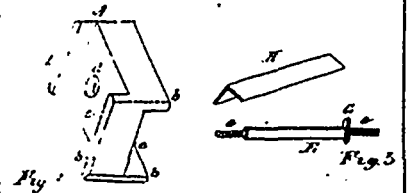


23268 Crotty's Corset.



23269 Cadwell's Drying Apparatus.



23270 Wilson's Saw Horse.

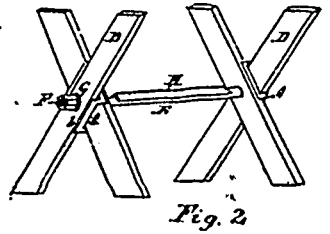


Fig. 2

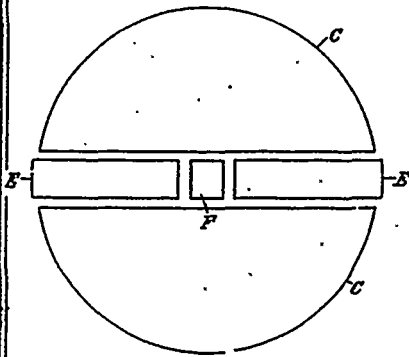
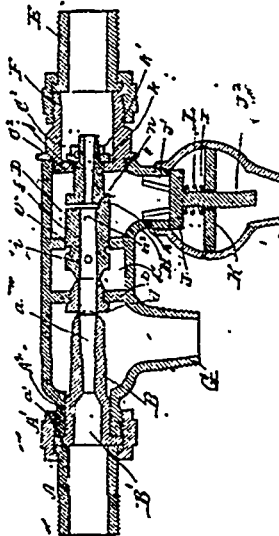
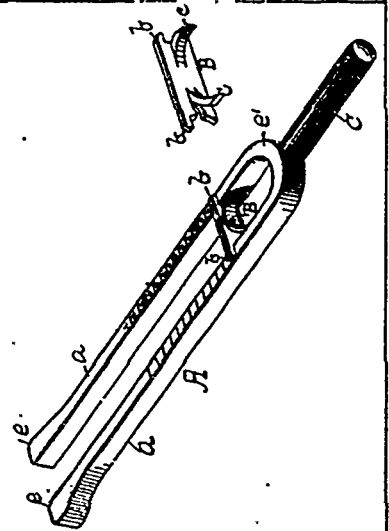


Fig. 3.

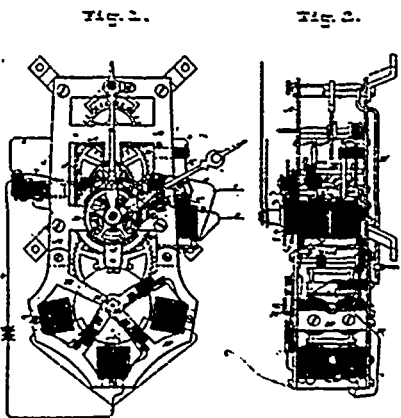
23271 Van Allen's Air-Tight Package for Merchandise.



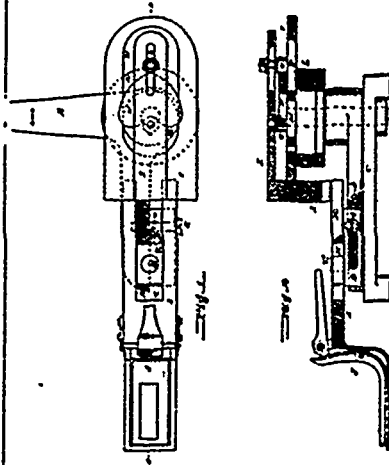
23274 Desmond's Steam Injector.



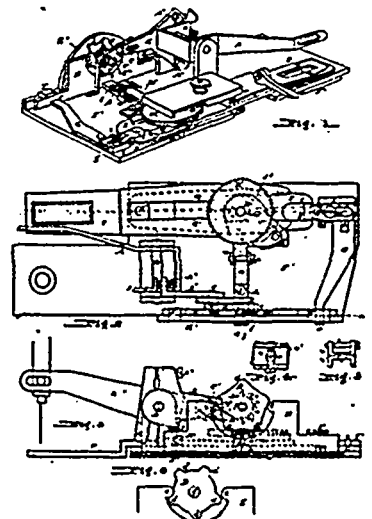
23275 Segrove's Tuning Fork.



23276 Pond's Synchronizer for Clocks.



23278 Palmer's Button Hole Attachment for Sewing Machines.



23279 Palmer's Button Hole Attachment for Sewing Machines.