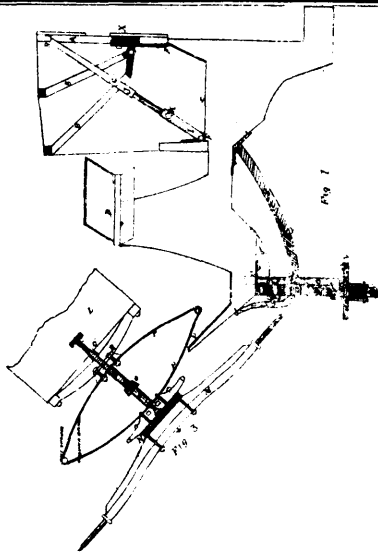
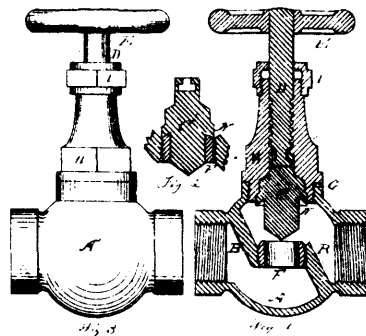


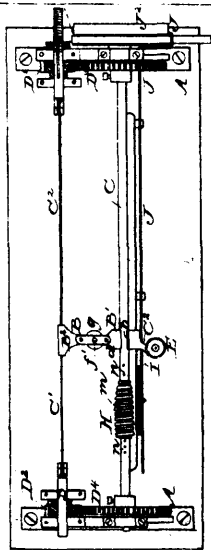
16035 Anderson's Improvements in Contrivances for Varying the Gauge of the Wheels of Rolling Stock.



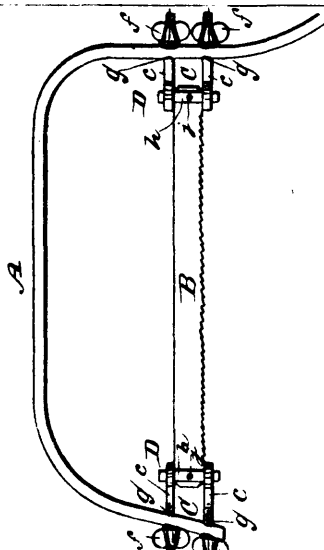
16036 Roy's Improvements on Carriages.



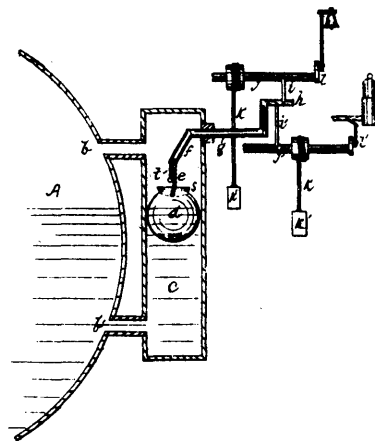
16037 Van Wie's Improvements on Globe Valves.



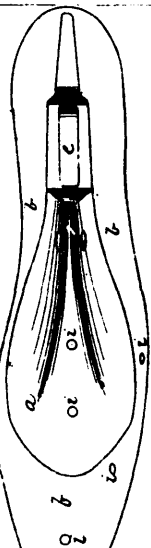
16038 Rice's Improvements on Wire Covering Machines.



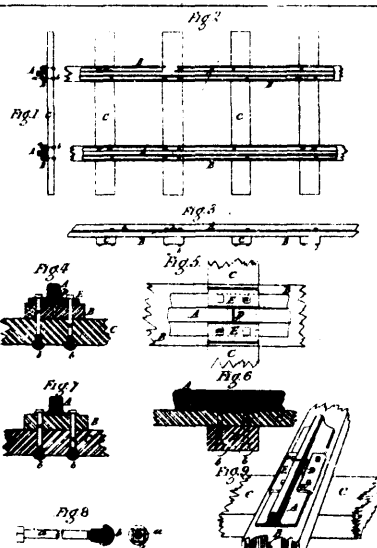
16039 Bennett's Improvements on Saw Frames.



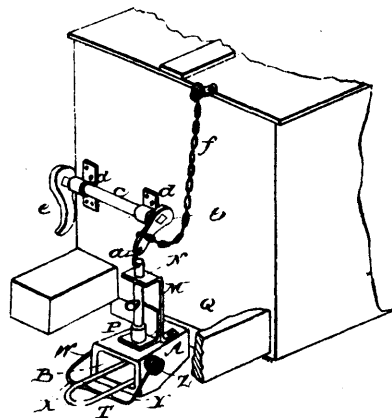
16040 Getchell's Improvements on Feed Water Alarms for Steam Boilers.



16041 Markie's Improvements in Metal Lasts.



16042 Seaton's Improvements on Permanent Ways.



16043 Eltzroth & Raypholtz's Improvements on Car-Couplings.