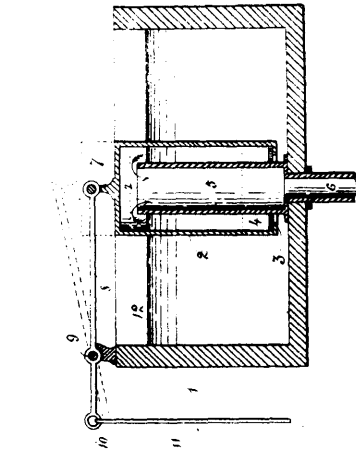
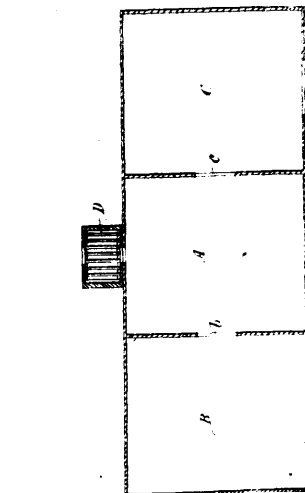


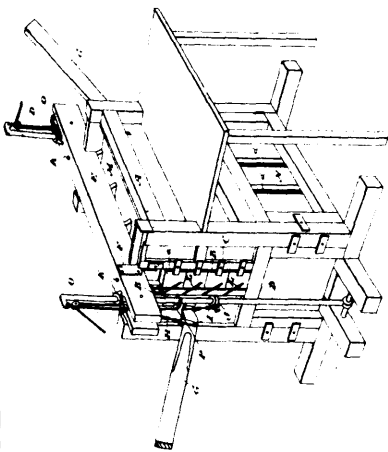
33986 Randall's Electric Printing Stamp.



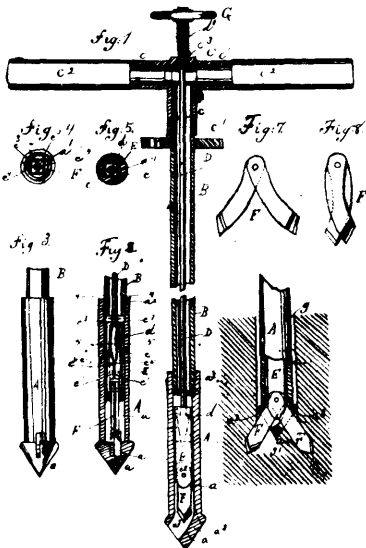
33987 Orr's Syphon.



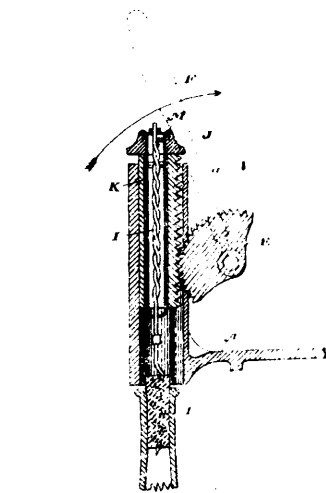
33988 Gower & St. George's Treatment and Utilization of Blast Furnace Slag, etc.



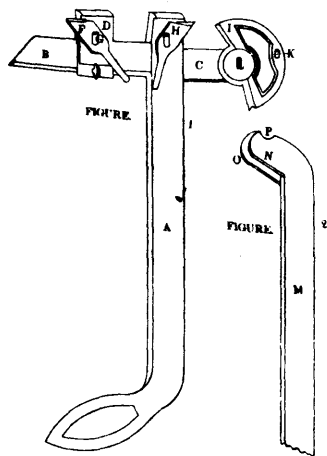
33989 Arnold's Hay Press.



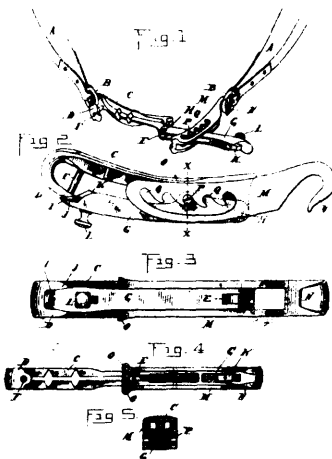
33990 Kilpatrick's Rock Drilling Implement.



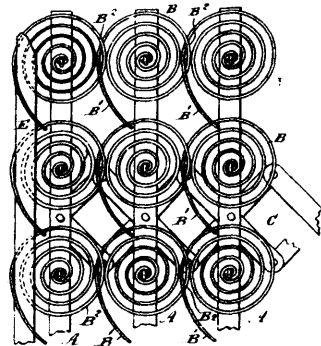
33991 Kelly's Cork Extractor.



33992 Ross' Machine for Holding, Straining and Knotting Wire.



33993 Everett's Hame Fastener.



33994 Rheubottom's Bed Bottom.