

16232 Collier's Improvements on Safety Valves

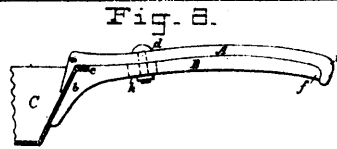


Fig. 8.

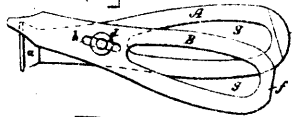


Fig. 7.

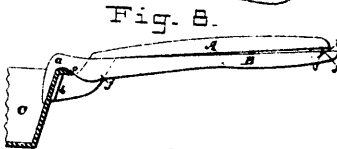


Fig. 9.

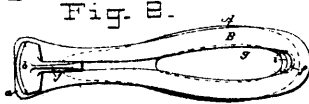
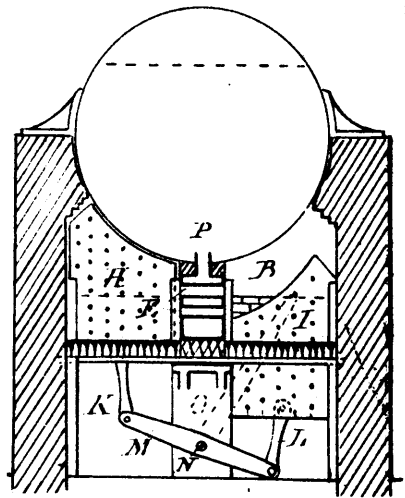
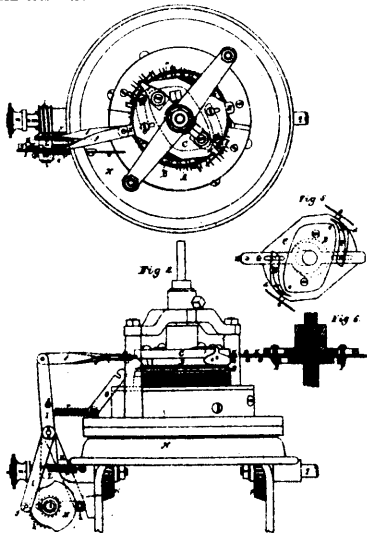


Fig. 10.

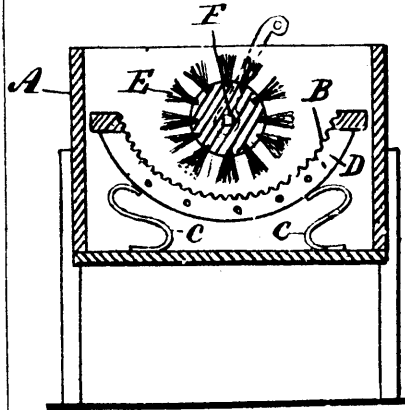
16233 Nelder & Grossmann's Improvements on Detachable Handles for Utensils.



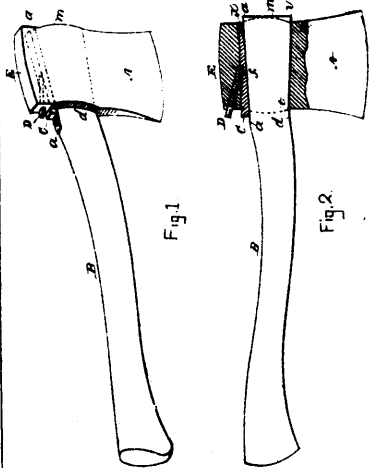
16234 Chandler & Whitehead's Improvement on Steam Generators and Furnaces.



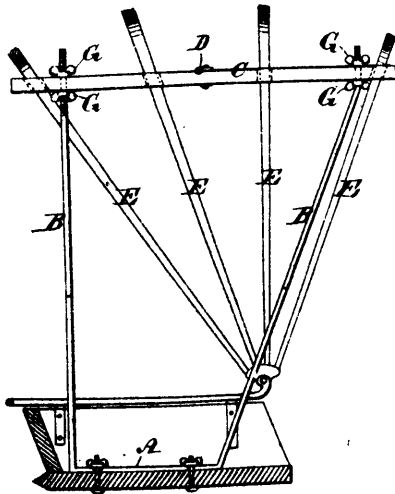
16235 Nye's Improvement in Knitting Machines.



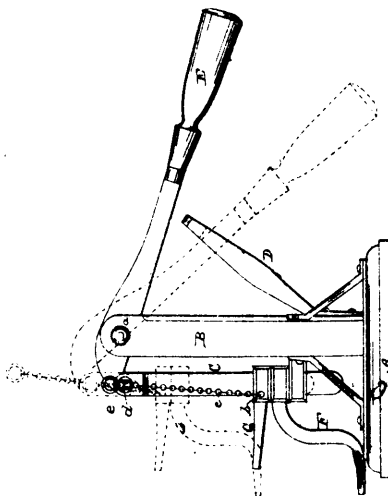
16236 Manton's Improvement on Washing Machines.



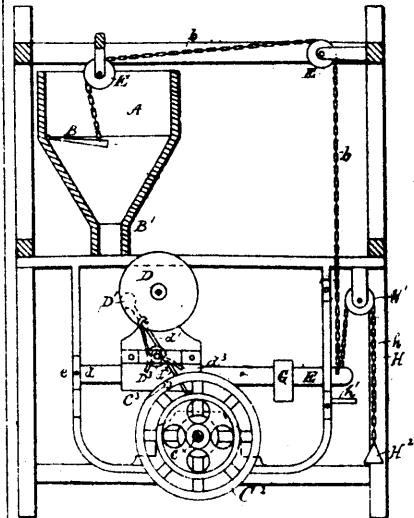
16237 Tremblay's Improvement on Axes.



16238 Lewis' Improvements on Carriage Top Setters.



16240 Baird's Improvements in Lifting Jacks.



16241 Lanhoff's Improvement in Millstone Alarms.