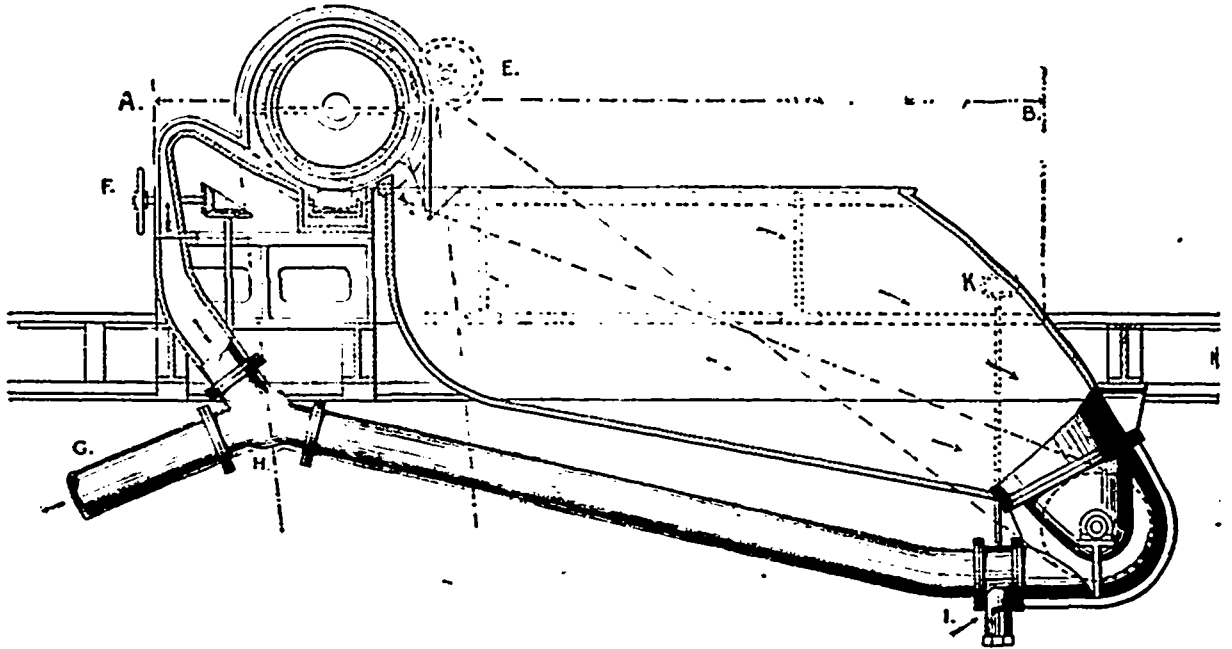


“Quanti est Sapere!”

THEN WHY NOT LEARN ABOUT



Taylor's Beating Engine? .

THE CAPACITY OF THIS ENGINE IS GREATER THAN THAT OF ANY OTHER IN THE WORLD.

And its principles of Action and Construction will commend it to every

--- -- Practical : Paper : Maker. --- --

WE ARE MANUFACTURERS OF

White's Oscillating Screen,

Taylor's Beating Engine,

McCormick's HOLYOKE Tur-
bines, Horizontal an Vertical.

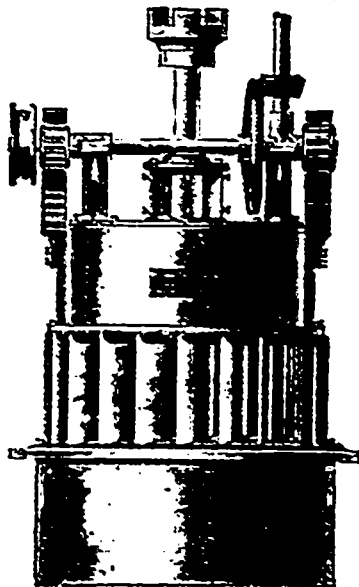
PAPER MILL MACHINERY.

Allen's "Blue Spot" Preventiv .

SCREENS & VATS
For Paper Machines.

Power Suction Pumps, Power Boiler Pumps, Suction Boxes and Plates, Palleys, Shafting, Gearing, &c.

HAND AND POWER ELEVATORS.



*Rag Engines and
Jordan Engines*

Made and Refilled.

**BLEACH BOILERS,
FAN DUSTERS,**

Fery's Patent Star Dusters.

PAPER CALENDAR ROLLS

MADE AND REPAIRED.

*Chilled Rolls,
Sheet, Super and
Webb Calenders.*

J. & W. JOLLY,

HOLYOKE, MASS., U.S.A.